

WALL MOUNTED AIR CONDITIONER INSTALLATION MANUAL



GB	<u>INSTALLATION MANUAL</u> ENGLISH	DA	<u>INSTALLATIONSVEJLEDNING</u> DANSK
DE	<u>INSTALLATIONSHANDBUCH</u> DEUTSCH	ET	<u>PAIGALDUSJUHEND</u> ESTS
ES	<u>MANUAL DE INSTALACIÓN</u> ESPAÑOL	LT	<u>MONTAVIMO VADOVAS</u> LIETUVOS
FR	<u>MANUEL D'INSTALLATION</u> FRANÇAIS	LV	<u>UZSTĀDĪŠANAS ROKASGRĀMATA</u> LATVIJAS
IT	<u>MANUALE DI INSTALLAZIONE</u> ITALIANO	NO	<u>INSTALLASJONSVEILEDNING</u> NORSK
NL	<u>INSTALLATIEHANDLEIDING</u> NEDERLANDS	SV	<u>MONTERINGSHANDBOK</u> SVENSKA
PL	<u>INSTRUKCJA MONTAŻU</u> POLSKI	PT	<u>MANUAL DE INSTALAÇÃO</u> PORTUGUÊS

Carrier is committed for continuous improvement of Carrier products according to national and international standards to ensure the highest quality and reliability standards, and to meet market regulations and requirements. All specifications subject to change without prior notice according to Carrier policy of continuous development.

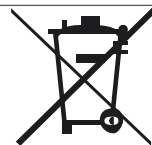
BEIJER REF AB

Stortorget 8
Malmö
Sweden



IMPORTANT NOTE:
Read this manual carefully before installing or operating your new air conditioning unit. Make sure to save this manual for future reference. Please check the applicable models, F-GAS and manufacturer information from the "Owner's Manual - Product Fiche" in the packaging of the outdoor unit. (European Union products only)

This product has been determined to be in compliance with the Low Voltage Directive (2014/35/EU), and the Electromagnetic Compatibility Directive (2014/30/EU) of the European Union.



Correct Disposal of This Product (Waste Electrical & Electronic Equipment)

(When using air conditioner in European, the following guidance must be followed)
 - This marking shown on the product or its literature, indicates that waste electrical and electronic equipment (WEEE as in directive 2012/19/EU) should not be mixed with general household waste. It is prohibited to dispose of this appliance in domestic household waste. For disposal, there are several possibilities:

1. The municipality has established collection systems, where electronic waste can be disposed of at least free of charge to the user.
2. When buying a new product, retailer will take back the old product at least free of charge.
3. The manufacturer will take back the old appliance for disposal at least free of charge to the user.
4. As old products contain valuable resources, they can be sold to scrap metal dealers. Wild disposal of waste in forests and landscapes endangers your health when hazardous substances leak into the ground-water and find their way into the food chain.

This product contains fluorinated gases covered by the Kyoto Protocol

Chemical Name of Gas	R32
Global Warming Potential (GWP) of Gas	675

⚠ CAUTION

1. Paste the enclosed refrigerant label adjacent to the charging and/or recovering location.
2. Clearly write the charged refrigerant quantity on the refrigerant label using indelible ink.
3. Prevent emission of the contained fluorinated gas. Ensure that the fluorinated gas is never vented to the atmosphere during installation, service or disposal. When any leakage of the contained fluorinated gas is detected, the leak shall be stopped and repaired as soon as possible.
4. Only qualified service personnel are allowed to access and service this product.
5. Any handling of the fluorinated gas in this product, such as when moving the product or recharging the gas, shall comply under (EC) Regulation No. 517/2014 on certain fluorinated greenhouse gases and any relevant local legislation.
6. If the system has a leak-detection system installed, it must be checked for leaks at least every 12 months
7. When the unit is checked for leaks, proper record-keeping of all checks is strongly recommended.

Indoor Unit	Outdoor Unit	Rated Voltage & Hz
42QHP09E8S*	38QHP09E8S*	220-240V~, 50Hz
42QHP12E8S*	38QHP12E8S*	

The manufacturer reserves the right to change any product specifications without notice.

CONTENTS

1. PREPARING FOR INSTALLATION	3
1.1 Safety Precautions	3
1.2 Accessories	5
1.3 Installation Site Choosing	6
2. INDOOR UNIT INSTALLATION	7
2.1 Indoor Unit Mounting Plate	7
2.2 Installation Process	8
3. OUTDOOR UNIT INSTALLATION	9
3.1 Outdoor Unit Mounting Dimension	9
3.2 Space Requirement For Outdoor Unit	9
3.3 Outdoor Wire Connection	10
3.4 Install The Outdoor Unit	10
3.5 Install The Drain Pipe For Outdoor Unit	10
4. REFRIGERANT PIPING WORK	11
4.1 Flaring	11
4.2 Piping Work	11
4.3 Refrigerant Pipe	12
4.4 Air Evacuation	12
4.5 Leakage Test	12
5. WIRING	13
6. FINAL CHECK AND TRAIL OPERATION	14
6.1 Final Check List	14
6.2 Manual Operation	14
6.3 Trail Operation	14
7. INFORMATION SERVICING	15



Caution: Risk of fire
for R32/R290 refrigerant only

1. PREPARING FOR INSTALLATION

1.1 SAFETY PRECAUTIONS

- Installing, starting up, and servicing air-conditioning equipment can be hazardous due to system pressures, electrical components, and equipment location (roofs, elevated structures, etc.).
- Only trained, qualified installers and service mechanics should install, start-up, and serve this equipment.
- When working on the equipment, observe precautions in the literature and on tags, stickers, and labels attached to the equipment.
- Follow all safety codes. Wear safety glasses and work gloves. Keep quenching cloth and fire extinguisher nearby when brazing. Use care in handling, rigging, and setting bulky equipment.
- Read these instructions thoroughly and follow all warnings or cautions included in literature and attached to the unit. Consult local building codes and National Electrical Code for special requirements.

WARNING

This symbol indicates the possibility of personnel injury or loss of life.

- **Refrigerant gas is heavier than air and replaces oxygen. A massive leak could lead to oxygen depletion, especially in basements, and an asphyxiation hazard could occur leading to serious injury or death.**
- **When the air conditioner is installed in a small room, provide appropriate measures to ensure that the concentration of refrigerant leakage in the room does not exceed the critical level.**
- **If the refrigerant gas leaks during installation, ventilate the area immediately.**
Refrigerant gas may produce a toxic gas if it comes in contact with fire such as from a fan heater, stove or cooking device. Exposure to this gas could cause severe injury or death.
- **Disconnect from power source before attempting any electrical work. Connect the connective cable correctly.**
Wrongly connecting may result in electric parts damaged.
- **Use the specified cables for electrical connections and attach the wires firmly to the terminal block connecting sections so that the external force is not exerted to the terminal.**
- **Be sure to provide grounding.**
Do not ground units to gas pipes, water pipes, lightning rods or telephone wires. Incomplete grounding could cause a severe shock hazard resulting in injury or death.
- **Safely dispose of the packing materials.**
Packing materials, such as nails and other metal or wooden parts, may cause stabs or other injuries. Tear apart and throw away plastic packaging bags so that children will not play with them. Children playing with plastic bags face the danger of suffocation.
- **Do not install unit near concentrations of combustible gas or gas vapors.**
- **Be sure to use the supplied or exact specified installation parts.**
Use of other parts may cause the unit to come to lose, water leakage, electrical shock, fire or equipment damage.
- **When installing or relocating the system, do not allow air or any substances other than the specified refrigerant (R32) to enter the refrigeration cycle.**
- **Never modify this unit by removing any of the safety guards or bypassing any of the safety interlock switches.**
- **Electrical work should be carried out in accordance with the installation manual and the national, state and local electrical wiring codes.**

1. PREPARING FOR INSTALLATION

WARNING

- **Be sure to use a dedicated power circuit. Never share the same power outlet with other appliance.**
- **In order to avoid a hazard due to inadvertent resetting of the thermal cut-out, this appliance must not be supplied through an external switching device, such as a timer, or connected to a circuit that is regularly switched on and off by the utility.**
- **Use the prescribed cables for electrical connection with insulation protected by insulation sleeving having an appropriate temperature rating.**
Unconformable cables can cause electric leak, anomalous heat production or fire.
- **Do not use means to accelerate the defrosting process or to clean, other than those recommended by the manufacturer.**
- **The appliance shall be stored in a room without continuously operating ignition sources (for example: open flames, and operating gas appliance or an operating electric heater)**
- **Do not pierce or burn.**
- **Be aware that refrigerants may not contain an odour.**
- **Appliance shall be stored in a well-ventilated area where the room size corresponds to the room area as specified for operation.**
- **For R32 refrigerant models:**
Appliance shall be installed, operated and stored in a room with a floor area larger than 4m².
Appliance shall not be installed in an unventilated space, if that space is smaller than 4m².
- **For R290 refrigerant models, the minimum room size needed:**
<=9000Btu/h units: 13m²
>9000Btu/h and <=12000Btu/h units: 17m²
>12000Btu/h and <=18000Btu/h units: 26m²
>18000Btu/h and <=24000Btu/h units: 35m²

CAUTION


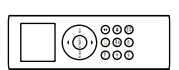

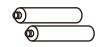


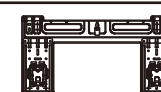




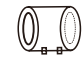
This symbol indicates the possibility of property damage or serious consequences.

- **To avoid personal injury, be careful when handling parts with sharp edges.**
- **Do not install the indoor or outdoor units in a location with special environmental conditions.**
- **Do not install in a place that can amplify the noise level of the unit or where noise and discharged air might disturb neighbors.**
- **Perform the drainage/piping work securely according to the installation manual.**
Improper drain piping may result in water leakage and property damage.
- **Do not install the air conditioner in the following places.**
 - The place where there is mineral oil or arsenic acid.
 - The place where corrosive gas (such as sulfurous acid gas) or combustible gas (such as thinner) can accumulate or collect, or where volatile combustible substances are handled.
 - The place there is equipment that generates electromagnetic fields or high frequency harmonics.
- **The appliance shall be stored so as to prevent mechanical damage from occurring.**
- **Any person who is involved with working on or breaking into a refrigerant circuit should hold a current valid certificate from an industry-accredited assessment authority, which authorizes their competence to handle refrigerants safely in accordance with an industry recognized assessment specification.**

1. PREPARING FOR INSTALLATION

1.2 ACCESSORIES

The following accessories are supplied with the unit. The type and quantity may differ depending on the specifications.

Name of Accessories	Q'ty(pc)	Shape	Name of Accessories	Q'ty(pc)	Shape
Manual	3		Remote controller	1	
Drain outlet	1		Battery	2	
Gasket	1		Remote controller holder	1	
Installation plate	1		Screw B	2	
Anchor	5		Small Filter	1	
Screw A	5		Magnetic ring (Some units)	N*	

* means that according to the actual quantity.

1.3 INSTALLATION SITE CHOOSING

Indoor Unit

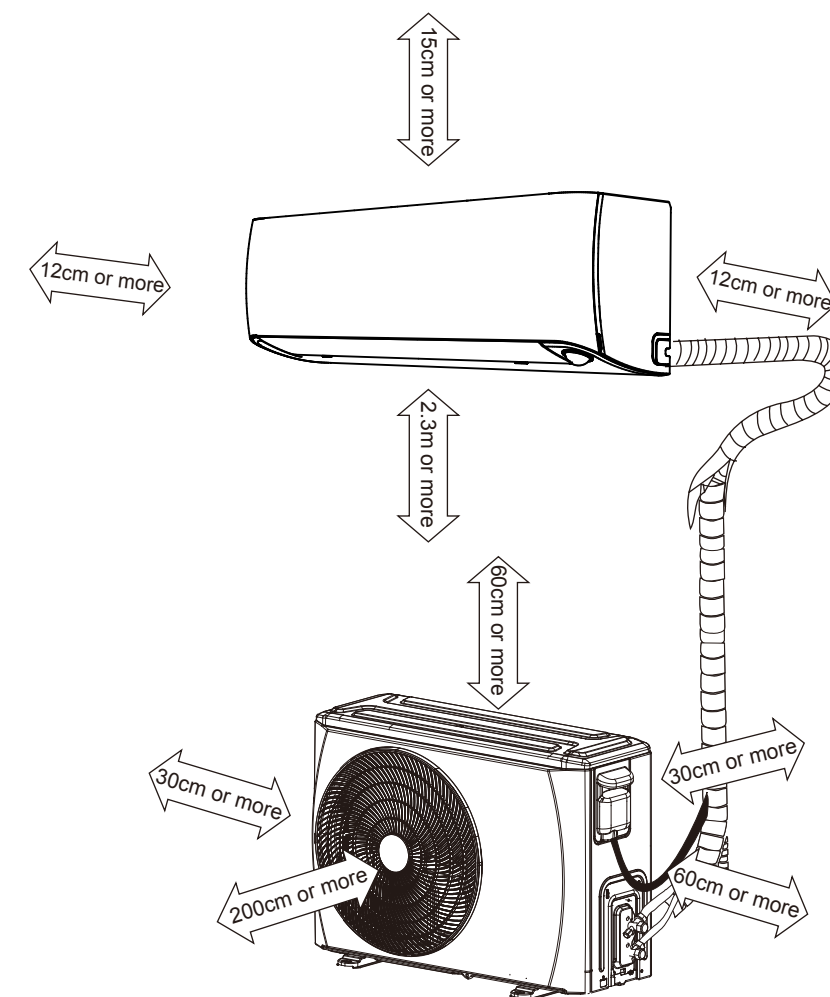
- A location which can bear the weight of indoor unit.
- Do not install indoor units near a direct source of heat such as direct sunlight or a heating appliance.
- A location which provides appropriate clearances as below figure.
- Moving parts of appliance must be installed/located at the level not less than 2.3m from the floor.

Outdoor Unit

- A location which is convenient to installation and not exposed to strong wind. If unit is exposed to strong winds it is recommended that a wind baffle be used.
- A location which can bear the weight of outdoor unit and where the outdoor unit can be mounted in a level position.
- A location which provides appropriate clearances as below figure.

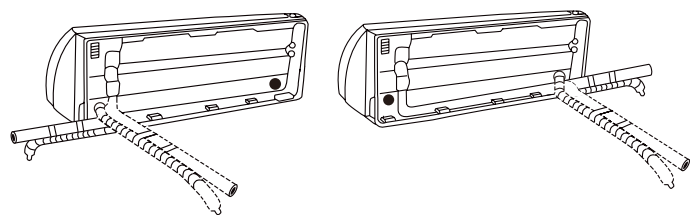
Do not install the indoor or outdoor units in a location with special environmental conditions.
Confirm that there is enough room for installation and maintenance.

1. PREPARING FOR INSTALLATION

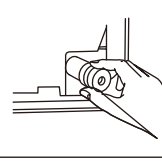


Note: Ensure the spaces indicated by arrows from the wall, ceiling, fence or other obstacles.

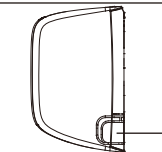
Piping is possible in the rear, left, left rear and right direction.



Plug the unused drain hole with the rubber plug provided.



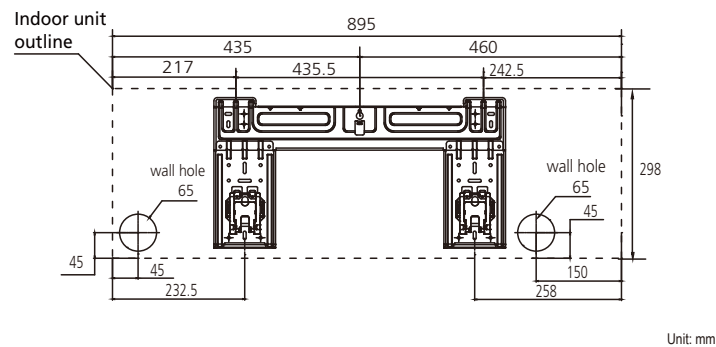
Cut the knock-out panel according to the piping size.



knock-out panel

2. INDOOR UNIT INSTALLATION

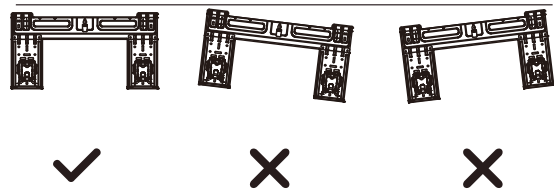
2.1 INDOOR UNIT MOUNTING PLATE



Note: When the gas side connective pipe is $\Phi 16\text{mm}$ (5/8in) or more, the pipe hole should be 90mm(3.54in).

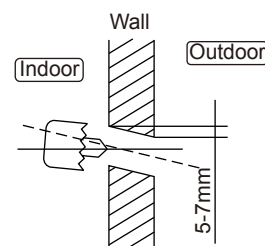
■ Install The Mounting Plate

Fix the mounting plate horizontally and level on the wall with five or more A-type screws.



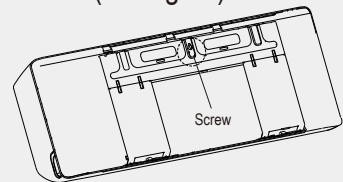
■ Drill Hole In The Wall

Drill a 65mm or 90mm (depending on models) hole on the wall which is slightly tilted towards the outside.



Note:

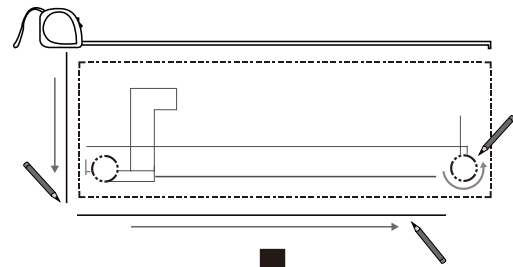
■ The installation plate is fixed with a screw for the convenience of shipment, please remove the screw first before installation. (see figure)



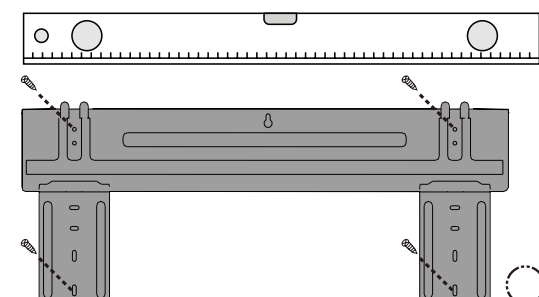
■ The mounting plate will look like one of the figure depending on the unit size. The holes for fixing anchors should be 5mm.

2.2 INSTALLATION PROCESS

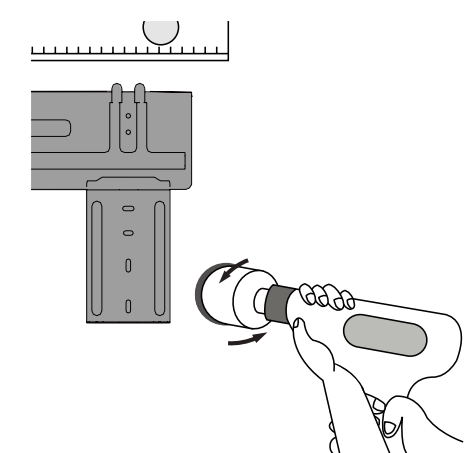
Step 1: Determine Wall Hole Position



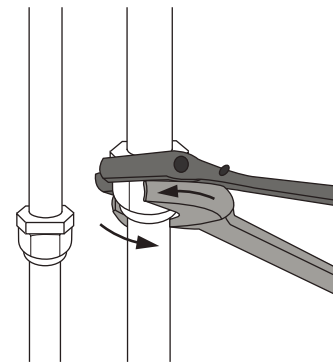
Step 2: Attach Mounting Plate



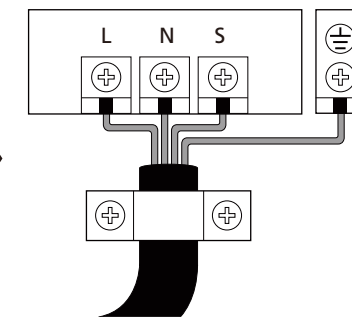
Step 3: Drill Wall Hole



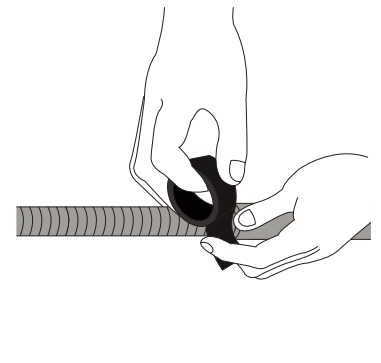
Step 4: Connect Pipe



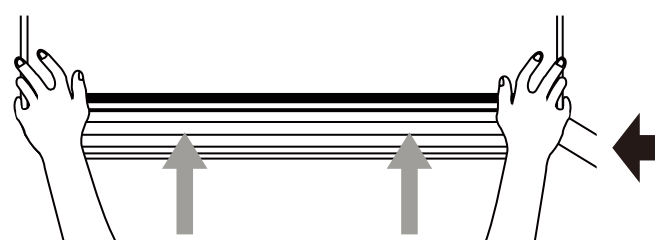
Step 5: Connect Wire



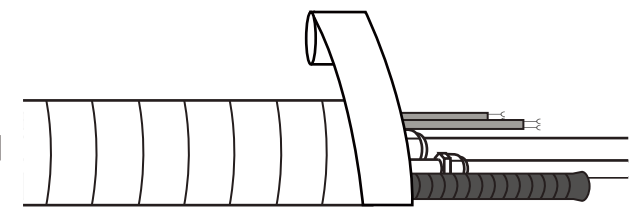
Step 6: Prepare Drain Hose



Step 8: Hang the Indoor Unit

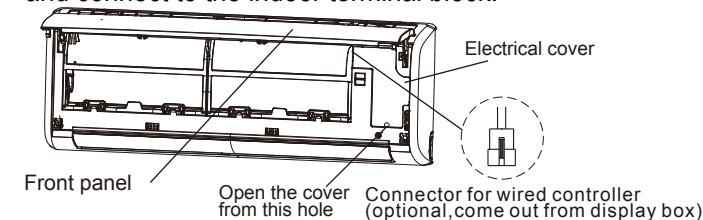


Step 7: Wrap Pipe and Cable



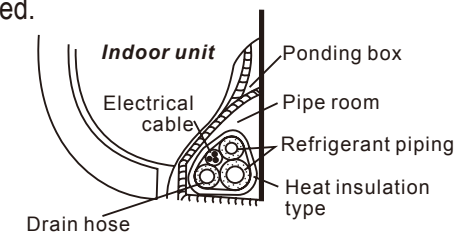
■ Indoor Wire Connection

- Lift the indoor unit front panel.
- Open the indoor unit electrical cover with a screwdriver through the hole, remove the terminal block cover by hand and remove the cable clamp by loosening the screws
- Pass the connecting wires from the back of indoor unit and connect to the indoor terminal block.



■ Wrap The Pipe

For proper orientation of the refrigerant piping, electrical cable and drain lines, refer to below Fig:
- Place the drain hose below the refrigerant piping.
- Make sure that the drain hose is not heaved or snaked.

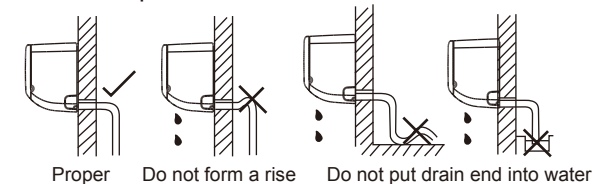


■ Hang The Indoor Unit

- Run refrigerant lines through hole in the wall.
- Hang indoor unit on upper hook of mounting plate, then push lower part of indoor unit up on wall to lower hook.
- Move indoor unit from side to side, up and down to check if it is hooked securely.

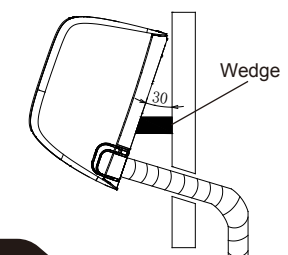
■ Drainage

The drain line must not have a trap anywhere in its length, must pitch downwards, and must be insulated up to the outside wall.



⚠ CAUTION

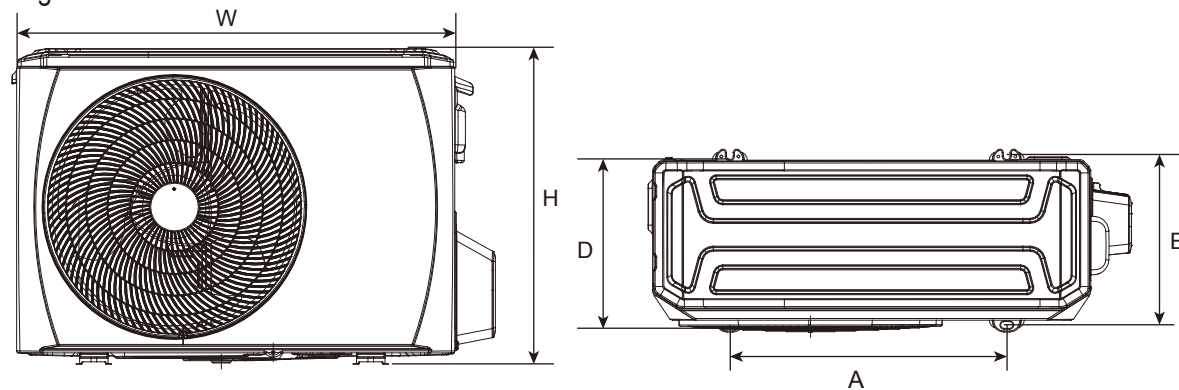
■ The connector parts of connective pipe must be placed outside of room.



3. OUTDOOR UNIT INSTALLATION

3.1 OUTDOOR UNIT MOUNTING DIMENSION

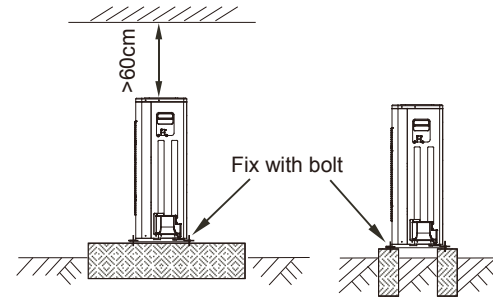
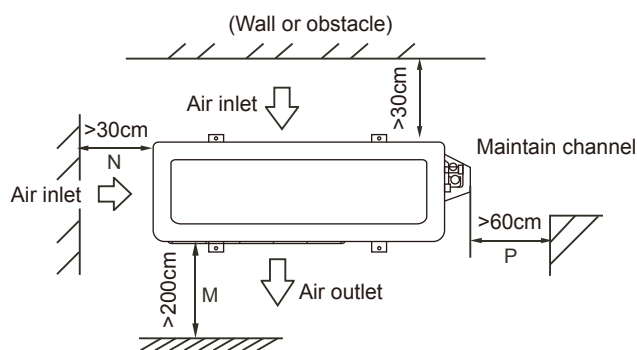
The mounting dimensions vary among different outdoor units. The fixing bolt head diameter should be more than 12mm.



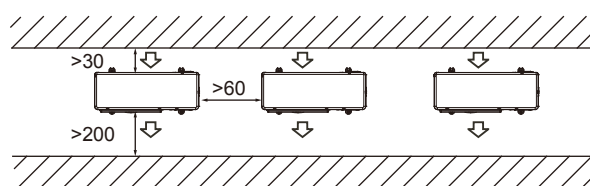
Outdoor Unit Dimension (mm)				Mounting Dimension (mm)	
Outdoor Unit	W	H	D	A	B
38QHP09E8S 38QHP12E8S	800	554	333	515	340

3.2 SPACE REQUIREMENT FOR OUTDOOR UNIT

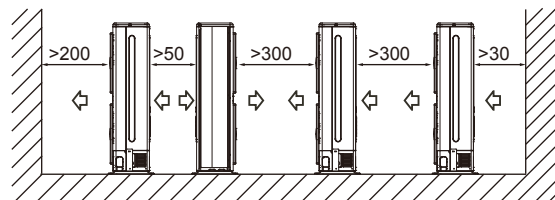
Single Unit Installation



Parallel connect the two units or above



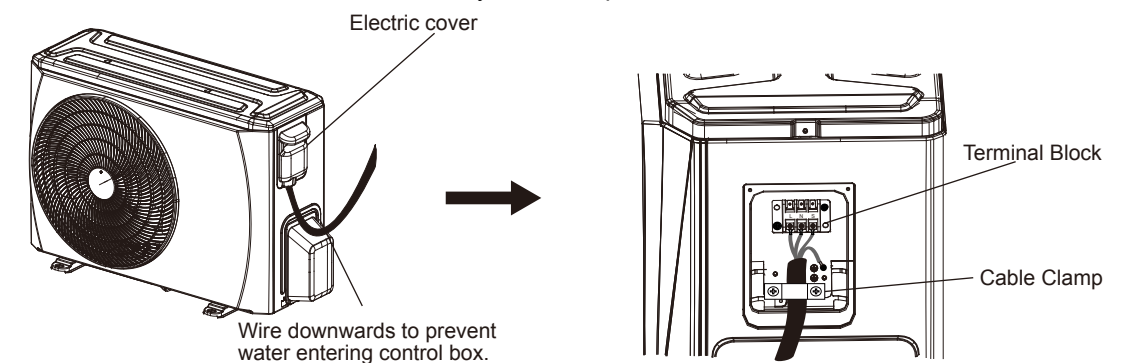
Parallel connect the front with rear sides.



3. OUTDOOR UNIT INSTALLATION

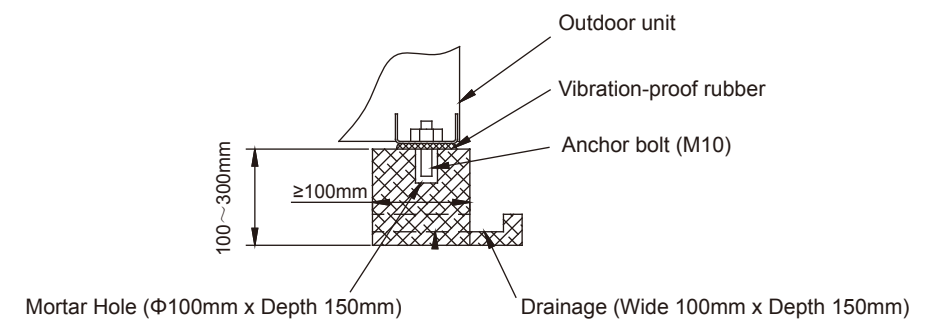
3.3 OUTDOOR WIRE CONNECTION

- Remove the electrical cover and cable clamp by loosening the screws.
- Connect wires to the outdoor terminal block by same sequence to indoor unit.



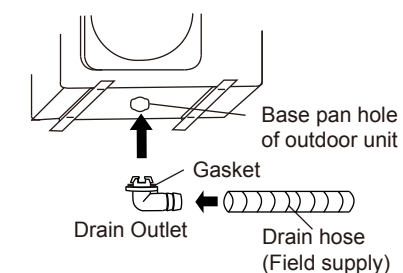
3.4 INSTALL THE OUTDOOR UNIT

- Before installation, check strength and horizontality of the base so that abnormal sound does not generate.
- Fix the base firmly with anchor bolts (M10) to prevent it from collapsing.
- Install the foundation and vibration-proof rubbers to directly support the bottom surface of the fixing leg that is in contact with the bottom plate of the outdoor unit.



3.5 INSTALL THE DRAIN PIPE FOR OUTDOOR UNIT

- Connect the drain outlet with an extension drain hose
- Fit the gasket onto drain outlet.
- Insert the drain outlet into the base pan hole of outdoor unit, and rotate 90 degree to securely assemble them.



CAUTION

- In regions with snowfall and cold temperatures, avoid installing the outdoor unit in areas where it can be covered by snow. If heavy snow is expected, a field supplied ice or snow stand and/or field supplied-installed wind baffle should be installed to protect the unit from snow accumulation and/or blocked air intake.

4. REFRIGERANT PIPING WORK

CAUTION

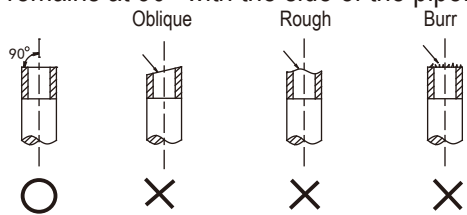
- Check if the height difference between indoor unit & outdoor unit and the total length of refrigerant pipe meet system requirement.
- Refrigerant piping work follows the indoor unit and outdoor unit installation, connect the pipe at the indoor side first, then the outdoor side.
- Always keep ends of tubing sealed by placing a cap or covering with tape during installation and do NOT remove them until you are ready to connect the piping.
- Be sure to insulate any field piping all the way to the piping connection inside the unit. Any exposed piping may cause condensation or burns if touched.
- When the outdoor unit is the top position and the difference of level is over 10m, it is recommended that set a oil return bend every 5~8m in the gas pipe. The radius of oil return bend should be over than 10cm.

4.1 FLARING

NOTE

- Tools required for flaring are pipe cutter, reamer, flaring tool and pipe holder.
- For R32 refrigerant models, the pipe connection points must be placed outside of room.

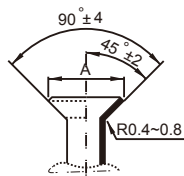
4.1.1 Using a pipe cutter to cut the pipe to the requested length. Ensure that the cut edge remains at 90° with the side of the pipe.



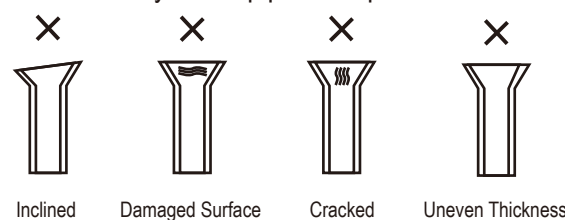
4.1.2 Use a reamer to remove burrs with the cut surface downward so that the chips do not enter the pipe.

4.1.3 Carry out flaring work using flaring tools as below.

Outside diameter	A(mm)	
	Max	Min
Φ6.35mm	8.7	8.3
Φ9.52mm	12.4	12.0
Φ12.7mm	15.8	15.4
Φ15.88mm	19.0	18.6
Φ19.05mm	23.3	22.9



4.1.4 Check if the flaring is properly made. See incorrectly flared pipes sample below.

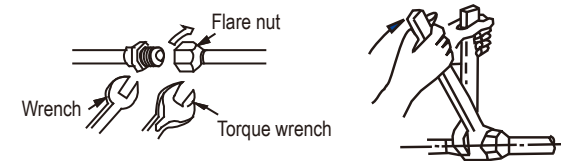


CAUTION

- In case of needing brazing, work with Nitrogen gas blowing.
- Improper torque will cause flare damage or gas leaks.

4.2 PIPING WORK

4.2.1 Align the center to tighten the flare nut and finish connection using two wrenches.



Tubing size	Torque
Φ6.35mm	18 ~ 20 N.m
Φ9.52mm	25 ~ 26 N.m
Φ12.7mm	35 ~ 36 N.m
Φ15.88mm	45 ~ 47 N.m
Φ19.05mm	65 ~ 67 N.m

4.2.2 Select the appropriate insulation material for refrigerant pipe. (Min. 10mm, thermal insulating foam C)

- Use separate thermal insulation pipes for gas & liquid pipes.
- The thickness above is a standard of the indoor temperature of 27°C and humidity of 80%. If installing in an unfavorable conditions such as near bathrooms, kitchens, and other similar locations, reinforce the insulation.
- Insulation's heat-resistance temperature should be more than 120°C.
- Use the adhesives on the connection part of insulation to prevent moisture from entering.
- Repair and cover any possible cracks in the insulation, specially check the bent part or hanger of pipe.

4. REFRIGERANT PIPING WORK

4.3 REFRIGERANT PIPE

Note: The refrigerant should be charged from the service port on the outdoor unit's low pressure valve.

	Minimum length to reduce abnormal vibration & noise	Chargeless length	Additional charge per meter	
			Liquid side: Φ6.35mm	Liquid side: Φ9.52mm
R32*	3m	5m	12g	24g

* Please use tools for R32 system.

NOTE

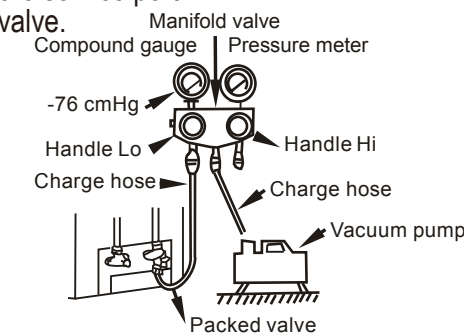
- Extended pipe length will affect the capacity and energy efficiency of the unit.
- The nominal efficiency is tested based on the pipe length of 5 meter.
- When the pipe length is over 5m, the additional refrigerant should be added according to the pipe length.
- The max. pipe length is recommended as below.

Models	R32 Inverter	
	Max. pipe length(m)	Max. height difference(m)
9K/12K	25	10

* Please use tools for R32 system.

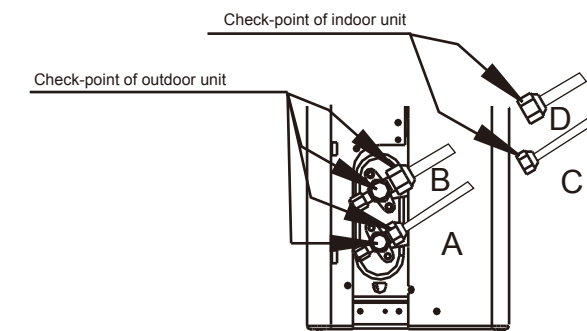
4.4 AIR EVACUATION

- Connect the charge hose from the manifold gauge to the service port of the gas side packed valve.
- Connect the charge hose to the port of the vacuum pump.
- Fully open the handle Lo of manifold gauge.
- Operate the vacuum pump to evacuate air from the system until -76cmHg.
- Close the handle Lo of manifold gauge.
- Fully open the valve stem of the packed valves.
- Remove the charging hose from the service port.
- Securely tighten caps of packed valve.



4.5 LEAKAGE TEST

After the piping work is finished, make sure to check the connection part of each refrigerant pipe and confirm that there is no gas leak by applying soapy water to them or by using a leak detector specific for HFC refrigerants. Refer below picture for illustration.



A: Low pressure stop valve
C & D: Indoor unit flare nuts

B: High pressure stop valve

CAUTION

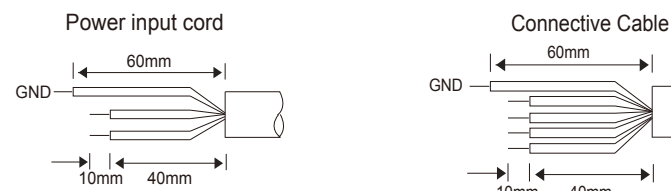
- All the electrical connections must be carried out by qualified installers and all the wirings must be connected according to the wiring diagram.
- Make ground connection prior to any other electrical connections.
- All power sources must be turned off before wiring work and do not turn on the power until you have made sure all the wirings have been safety checked.
- A main switch and circuit breaker or fuse must be installed, the capacity should be above 1.5 times of maximum current in circuit.
- An individual branch circuit and single socket used only for this appliance must be available.
- Wire cross section is depending on the rated current and national, state and local electrical wiring code. Consult local building codes and National electrical code for special requirement.
- If the supply cord is damaged, it must be replaced by the manufacturer, its service agent or similarly qualified persons in order to avoid a hazard.
- The unit must be connected to the main power supply by means of a circuit breaker or a switch with a contact separation of at least 3mm in all poles. Installation of a residual current device (RCD) having a rated residual operating current not exceeding 30mA is advisable.
- This appliance incorporates an earth connection for functional purposes only.

Rated Current of Each Models

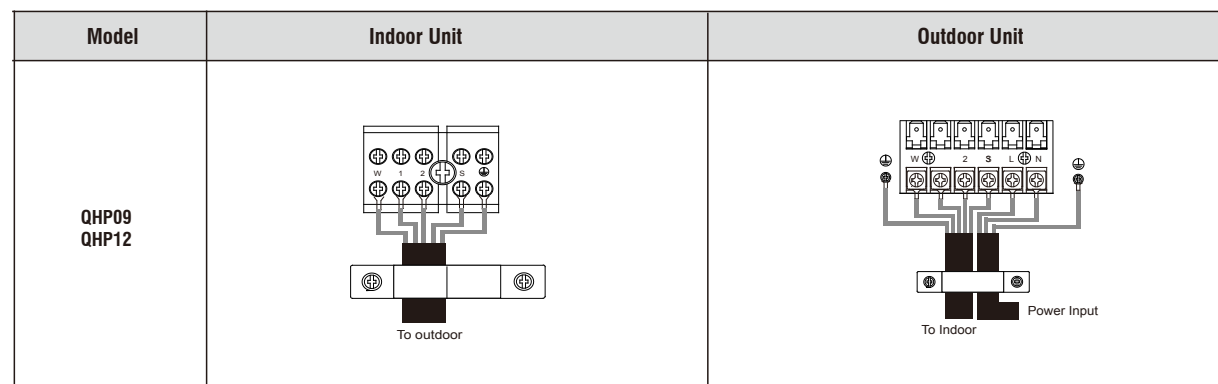
Model	Rated Current(A)	Fuse Rating(A)	Power input cord (with Min. Crosse section)	Connective Cable (with Min. Crosse section)
38QHP09E8S	10.0	16	3*1.5mm ²	5*1.5mm ²
38QHP12E8S	13.0	20	3*1.5mm ²	5*1.5mm ²

NOTICE:

- All power wires must be sized in according with national, state and local electrical wiring code. Consult local building codes and National Electrical Code for special requirements.
- The outdoor power cord and interconnecting cable type should be H07RN-F.
- The rated current of appliance is indicated on the nameplate.
- The specification of outdoor unit fuse is T20A/250VAC (applicable to units adpot R32 refrigerant only) Note: The fuse is made of ceramic.



Connection Diagram

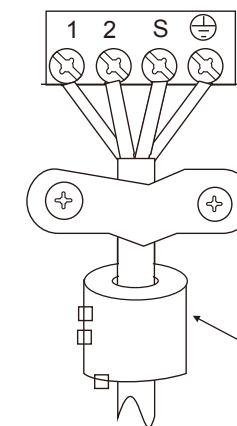


Magnetic ring installation

For example:

The terminal block may be different according to the models.

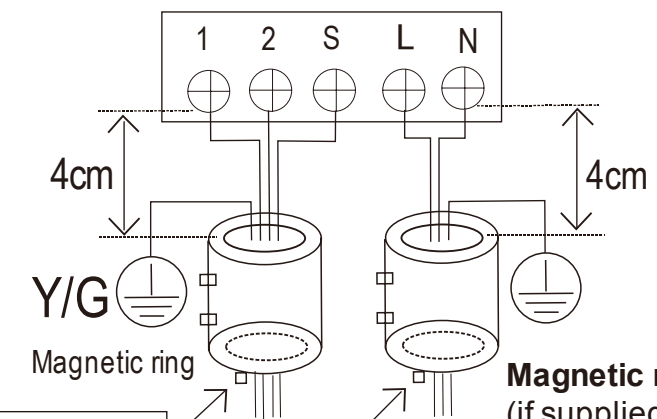
Indoor unit



Magnetic ring
(if supplied and packed with the accessories)

Pass the belt through the hole of the Magnetic ring to fix it on the cable

Outdoor unit



Magnetic ring
(if supplied and packed with the accessories)

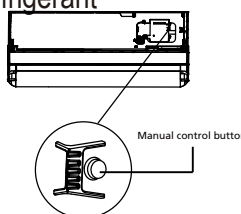
Pass the belt through the hole of the Magnetic ring to fix it on the cable

6. FINAL CHECK AND TRAIL OPERATION

6.1 FINAL CHECK LIST

To complete the installation, perform the following checks before the trial operation.

- Strength of the installation site for both indoor and outdoor sides, confirm no obstruction of the unit air outlet or return.
- Tightness of Refrigerant piping connection and confirm no leakage
- Electric wiring connections are correctly completed and unit has been grounding connected
- Check the total length of the piping and record the volume of the additional charged refrigerant
- The power supply should comply with the rated voltage of the air conditioner
- Insulation of the pipe
- Drainage



6.2 MANUAL OPERATION

Manual operation can be accessed by pressing manual button

Press the manual button repeatedly to change modes as follows:

- Once = AUTO mode [heat, cool or fan, 24°C and auto fan speed.
- Twice = COOLING mode [switch to AUTO mode after 30 minutes (mainly used for trial operation)]
- Three times = OFF

6.3 TRAIL OPERATION

Set the air conditioning under the COOLING mode with the remote controller (or manual button) and check the running status of both indoor unit and outdoor unit. In case of any malfunction, resolve it according to chapter "Trouble shooting" in the "Service Manual".

Indoor unit

- Whether the buttons (such as ON/OFF, MODE, TEMPERATURE, FAN SPEED etc.) on the remote controller work well.
- Whether the louver moves normally.
- Whether the room temperature is adjusted well.
- Whether the indicator lights on the display panel are normal.
- Whether the "manual" button works well.
- Whether the drainage is normal.
- Whether there is a vibration or abnormal noise during the operation.
- Whether the indoor unit works well in COOLING or HEATING mode.

Outdoor unit

- Whether there is a vibration or abnormal noise during the operation.
- Whether the air flow, noise or condensate water generated by the air conditioner have disturb your neighborhood.
- Whether there is any refrigerant leakage.

CAUTION

- When restart the unit, there will be approximately 3 minutes delay for the compressor to run for protection.

7. INFORMATION SERVICING

7.1 CHECKS TO THE AREA

Prior to beginning work on systems containing flammable refrigerants, safety checks are necessary to ensure that the risk of ignition is minimised. For repair to the refrigerating system, the following precautions shall be complied with prior to conducting work on the system.

7.2 WORK PROCEDURE

Works shall be undertaken under a controlled procedure so as to minimise the risk of a flammable gas or vapour being present while the work is being performed.

7.3 GENERAL WORK AREA

All maintenance staff and others working in the local area shall be instructed on the nature of work being carried out. work in confined spaces shall be avoided. The area around the work space shall be sectioned off. Ensure that the conditions within the area have been made safe by control of flammable material.

7.4 CHECKING FOR PRESENCE OF REFRIGERANT

The area shall be checked with an appropriate refrigerant detector prior to and during work, to ensure the technician is aware of potentially flammable atmospheres. Ensure that the leak detection equipment being used is suitable for use with flammable refrigerants, i.e. no sparking, adequately sealed or intrinsically safe.

7.5 PRESENCE OF FIRE EXTINGUISHER

If any hot work is to be conducted on the refrigeration equipment or any associated parts, appropriate fire extinguishing equipment shall be available to hand. Have a dry power or CO2 fire extinguisher adjacent to the charging area.

7.6 NO IGNITION SOURCES

No person carrying out work in relation to a refrigeration system which involves exposing any pipe work that contains or has contained flammable refrigerant shall use any sources of ignition in such a manner that it may lead to the risk of fire or explosion. All possible ignition sources, including cigarette smoking, should be kept sufficiently far away from the site of installation, repairing, removing and disposal, during which flammable refrigerant can possibly be released to the surrounding space. Prior to work taking place, the area around the equipment is to be surveyed to make sure that there are no flammable hazards or ignition risks. "NO SMOKING" signs shall be displayed.

7.7 VENTILATED AREA

Ensure that the area is in the open or that it is adequately ventilated before breaking into the system or conducting any hot work. A degree of ventilation shall continue during the period that the work is carried out. The ventilation should safely disperse any released refrigerant and preferably expel it externally into the atmosphere.

7.8 CHECKS TO THE REFRIGERATION EQUIPMENT

Where electrical components are being changed, they shall be fit for the purpose and to the correct specification. At all times the manufacturer's maintenance and service guidelines shall be followed. If in doubt consult the manufacturer's technical department for assistance. The following checks shall be applied to installations using flammable refrigerants:

7. INFORMATION SERVICING

- the charge size is in accordance with the room size within which the refrigerant containing parts are installed;
- the ventilation machinery and outlets are operating adequately and are not obstructed;
- if an indirect refrigerating circuit is being used, the secondary circuits shall be checked for the presence of refrigerant; marking to the equipment continues to be visible and legible.
- marking and signs that are illegible shall be corrected;
- refrigeration pipe or components are installed in a position where they are unlikely to be exposed to any substance which may corrode refrigerant containing components, unless the components are constructed of materials which are inherently resistant to being corroded or are suitably protected against being so corroded.

7.9 CHECKS TO ELECTRICAL DEVICES

Repair and maintenance to electrical components shall include initial safety checks and component inspection procedures. If a fault exists that could compromise safety, then no electrical supply shall be connected to the circuit until it is satisfactorily dealt with. If the fault cannot be corrected immediately but it is necessary to continue operation, and adequate temporary solution shall be used. This shall be reported to the owner of the equipment so all parties are advised.

Initial safety checks shall include:

- that capacitors are discharged: this shall be done in a safe manner to avoid possibility of sparking
- that there no live electrical components and wiring are exposed while charging, recovering or purging the system;
- that there is continuity of earth bonding.

7.10 REPAIRS TO SEALED COMPONENTS

- 10.1 During repairs to sealed components, all electrical supplies shall be disconnected from the equipment being worked upon prior to any removal of sealed covers, etc. If it is absolutely necessary to have an electrical supply to equipment during servicing, then a permanently operating form of leak detection shall be located at the most critical point to warn of a potentially hazardous situation.
- 10.2 Particular attention shall be paid to the following to ensure that by working on electrical components, the casing is not altered in such a way that the level of protection is affected. This shall include damage to cables, excessive number of connections, terminals not made to original specification, damage to seals, incorrect fitting of glands, etc.
- Ensure that apparatus is mounted securely.
 - Ensure that seals or sealing materials have not degraded such that they no longer serve the purpose of preventing the ingress of flammable atmospheres. Replacement parts shall be in accordance with the manufacturer s specifications.

NOTE: The use of silicon sealant may inhibit the effectiveness of some types of leak detection equipment. Intrinsically safe components do not have to be isolated prior to working on them.

7.11 REPAI TO INTRINSICALLY SAFE COMPONENTS

Do not apply any permanent inductive or capacitance loads to the circuit without ensuring that this will not exceed the permissible voltage and current permitted for the equipment in use. Intrinsically safe components are the only types that can be worked on while live in the presence of a flammable atmosphere. The test apparatus shall be at the correct rating. Replace components only with parts specified by the manufacturer. Other parts may result in the ignition of refrigerant in the atmosphere from a leak.

7. INFORMATION SERVICING

7.12 CABLING

Check that cabling will not be subject to wear, corrosion, excessive pressure, vibration, sharp edges or any other adverse environmental effects. The check shall also take into account the effects of aging or continual vibration from sources such as compressors or fans.

7.13 DETECTION OF FLAMMABLE REFRIGERANTS

Under no circumstances shall potential sources of ignition be used in the searching for or detection of refrigerant leaks. A halide torch(or any other detector using a naked flame) shall not be used.

7.14 LEAK DETECTION METHODS

The following leak detection methods are deemed acceptable for systems containing flammable refrigerants. Electronic leak detectors shall be used to detect flammable refrigerants, but the sensitivity may not be adequate, or may need re-calibration.(Detection equipment shall be calibrated in a refrigerant-free area.) Ensure that the detector is not a potential source of ignition and is suitable for the refrigerant. Leak detection equipment shall be set at a percentage of the LFL of the refrigerant and shall be calibrated to the refrigerant employed and the appropriate percentage of gas (25% maximum) is confirmed. Leak detection fluids are suitable for use with most refrigerants but the use of detergents containing chlorine shall be avoided as the chlorine may react with the refrigerant and corrode the copper pipe-work. If a leak is suspected ,all naked flames shall be removed or extinguished. If a leakage of refrigerant is found which requires brazing, all of the refrigerant shall be recovered from the system, or isolated(by means of shut off valves) in a part of the system remote from the leak . Oxygen free nitrogen(OFN) shall then be purged through the system both before and during the brazing process.

7.15 REMOVAL AND EVACUATION

When breaking into the refrigerant circuit to make repairs of for any other purpose conventional procedures shall be used, However, it is important that best practice is followed since flammability is a consideration. The following procedure shall be adhered to:

- remove refrigerant;
- purge the circuit with inert gas;
- evacuate;
- purge again with inert gas;
- open the circuit by cutting or brazing.

The refrigerant charge shall be recovered into the correct recovery cylinders. The system shall be flushed with OFN to render the unit safe. This process may need to be repeated several times.

Compressed air or oxygen shall not be used for this task.

Flushing shall be achieved by breaking the vacuum in the system with OFN and continuing to fill until the working pressure is achieved, then venting to atmosphere, and finally pulling down to a vacuum. This process shall be repeated until no refrigerant is within the system.

When the final OFN charge is used, the system shall be vented down to atmospheric pressure to enable work to take place. This operation is absolutely vital if brazing operations on the pipe-work are to take place. Ensure that the outlet for the vacuum pump is not closed to any ignition sources and there is ventilation available.

7. INFORMATION SERVICING

7.16 CHARGING PROCEDURES

In addition to conventional charging procedures, the following requirements shall be followed:

- Ensure that contamination of different refrigerants does not occur when using charging equipment. Hoses or lines shall be as short as possible to minimize the amount of refrigerant contained in them.
- Cylinders shall be kept upright.
- Ensure that the refrigeration system is earthed prior to charging the system with refrigerant.
- Label the system when charging is complete (if not already).
- Extreme care shall be taken not to overfill the refrigeration system.
- Prior to recharging the system it shall be pressure tested with OFN. The system shall be leak tested on completion of charging but prior to commissioning. A follow up leak test

7.17 DECOMMISSIONING

Before carrying out this procedure, it is essential that the technician is completely familiar with the equipment and all its detail. It is recommended good practice that all refrigerants are recovered safely. Prior to the task being carried out, an oil and refrigerant sample shall be taken.

In case analysis is required prior to re-use of reclaimed refrigerant. It is essential that electrical power is available before the task is commenced.

- a) Become familiar with the equipment and its operation.
- b) Isolate system electrically
- c) Before attempting the procedure ensure that:
 - mechanical handling equipment is available, if required, for handling refrigerant cylinders;
 - all personal protective equipment is available and being used correctly;
 - the recovery process is supervised at all times by a competent person;
 - recovery equipment and cylinders conform to the appropriate standards.
- d) Pump down refrigerant system, if possible.
- e) If a vacuum is not possible, make a manifold so that refrigerant can be removed from various parts of the system.
- f) Make sure that cylinder is situated on the scales before recovery takes place.
- g) Start the recovery machine and operate in accordance with manufacturer's instructions.
- h) Do not overfill cylinders. (No more than 80% volume liquid charge).
- i) Do not exceed the maximum working pressure of the cylinder, even temporarily.
- j) When the cylinders have been filled correctly and the process completed, make sure that the cylinders and the equipment are removed from site promptly and all isolation valves on the equipment are closed off.
- k) Recovered refrigerant shall not be charged into another refrigeration system unless it has been cleaned and checked.

7.18 LABELLING

Equipment shall be labelled stating that it has been de-commissioned and emptied of refrigerant. The label shall be dated and signed. Ensure that there are labels on the equipment stating the equipment contains flammable refrigerant.

7. INFORMATION SERVICING

7.19 RECOVERY

- When removing refrigerant from a system, either for service or decommissioning, it is recommended good practice that all refrigerants are removed safely.
- When transferring refrigerant into cylinders, ensure that only appropriate refrigerant recovery cylinders are employed. Ensure that the correct numbers of cylinders for holding the total system charge are available. All cylinders to be used are designated for the recovered refrigerant and labelled for that refrigerant (i.e. special cylinders for the recovery of refrigerant). Cylinders shall be complete with pressure relief valve and associated shut-off valves in good working order.
- Empty recovery cylinders are evacuated and, if possible, cooled before recovery occurs.
- The recovery equipment shall be in good working order with a set of instructions concerning the equipment that is at hand and shall be suitable for the recovery of flammable refrigerants. In addition, a set of calibrated weighing scales shall be available and in good working order.
- Hoses shall be complete with leak-free disconnect couplings and in good condition. Before using the recovery machine, check that it is in satisfactory working order, has been properly maintained and that any associated electrical components are sealed to prevent ignition in the event of a refrigerant release. Consult manufacturer if in doubt.
- The recovered refrigerant shall be returned to the refrigerant supplier in the correct recovery cylinder, and the relevant Waste Transfer Note arranged. Do not mix refrigerants in recovery units and especially not in cylinders.
- If compressors or compressor oils are to be removed, ensure that they have been evacuated to an acceptable level to make certain that flammable refrigerant does not remain within the lubricant. The evacuation process shall be carried out prior to re-tuning the compressor to the suppliers. Only electric heating to the compressor body shall be employed to accelerate this process. When oil is drained from a system, it shall be carried out safely.

7.20 TRANSPORTATION, MARKING AND STORAGE FOR UNITS

1. Transport of equipment containing flammable refrigerants
Compliance with the transport regulations
2. Marking of equipment using signs
Compliance with local regulations
3. Disposal of equipment using flammable refrigerants
Compliance with national regulations
4. Storage of equipment/appliances
The storage of equipment should be in accordance with the manufacturer's instructions.
5. Storage of packed (unsold) equipment
Storage package protection should be constructed such that mechanical damage to the equipment inside the package will not cause a leak of the refrigerant charge.
The maximum number of pieces of equipment permitted to be stored together will be determined by local regulations.

Dieses Produkt befindet sich in Übereinstimmung mit der Niederspannungsrichtlinie (2014/35/EU) und der Richtlinie über elektromagnetische Verträglichkeit (2014/30/EU) der Europäischen Union.



Korrekte Entsorgung dieses Produktes (Elektro- und Elektronik-Altgeräte)

(Bei der Benutzung dieser Klimaanlage in europäischen Ländern muss Folgendes eingehalten werden)
– Dieses Symbol auf dem Produkt oder in seiner Dokumentation bedeutet, dass Elektro- und Elektronik-Altgeräte (WEEE nach der Richtlinie 2012/19/EU) nicht mit gewöhnlichem Haushaltsabfall zusammen entsorgt werden dürfen. Die Entsorgung dieses Geräts als Siedlungsabfall ist verboten. Es gibt verschiedene Entsorgungsmöglichkeiten:

1. Die Stadtverwaltung hat Sammelstellen zur kostenlosen Entsorgung von Elektronikaltgeräten eingerichtet.
2. Wenn Sie ein neues Produkt kaufen, wird der Einzelhändler das alte zumindest unentgeltlich zurückzunehmen.
3. Der Hersteller wird das alte Gerät zur Entsorgung zumindest für den Benutzer unentgeltlich zurückzunehmen.
4. Da alte Produkte wertvolle Ressourcen enthalten, können sie an Altmetallhändler verkauft werden. Die Entsorgung in Wäldern und in der freien Natur gefährdet Ihre Gesundheit, wenn gefährliche Stoffe in das Grundwasser und in die Nahrungskette gelangen.

Dieses Produkt enthält vom Kyoto-Protokoll erfasste fluorierte Treibhausgase

Chemische Bezeichnung des Gases	R32
Treibhauspotenzial (Global Warming Potential, GWP) des Gases	675

⚠ ACHTUNG

1. Kleben Sie das beiliegende Kältemittellabel in unmittelbarer Nähe der Wartungs- oder Rückgewinnungsstelle an.
2. Notieren Sie deutlich die eingefüllte Kältemittelmenge auf dem Kältemittellabel mit unlöschbarer Tinte.
3. Vermeiden Sie die Emission des enthaltenen fluorierten Treibhausgases. Stellen Sie sicher, dass das fluorierte Treibhausgas nie während der Installation, der Wartung oder der Entsorgung in die Atmosphäre gelangt. Sollten Leckagen des enthaltenen fluorierten Treibhausgases entdeckt werden, so muss der Gasaustritt gestoppt werden und die Leckstelle sofort repariert werden.
4. Nur qualifiziertes Wartungspersonal darf Zugang zu diesem Produkt haben und dessen Wartung übernehmen.
5. Jeder Umgang mit dem fluorierten Treibhausgas in diesem Produkt, z.B. beim Transportieren des Produktes oder Nachfüllen mit Gas, soll gemäß der Verordnung (EG) Nr. 517/2014 über bestimmte fluorierte Treibhausgase und der relevanten lokalen Gesetzgebung erfolgen.
6. Wenn ein Leckerkennungssystem installiert ist, muss das Gerät mindestens alle 12 Monate auf Leckagen geprüft werden.
7. Wenn das Gerät auf Leckagen geprüft wird, wird eine ordnungsgemäße Dokumentation aller Prüfungen dringend empfohlen.

Innengerät	Außengerät	Nennspannung & Hz
42QHP09E8S*	38QHP09E8S*	220-240V~, 50Hz
42QHP12E8S*	38QHP12E8S*	

Der Hersteller behält sich das Recht vor, die Spezifikationen jedes Produkts ohne vorherige Benachrichtigung zu ändern.

INHALTSVERZEICHNIS

1. INSTALLATIONSVORBEREITUNG	3
1.1 Sicherheitshinweise	3
1.2 Zubehör	5
1.3 Installationsplatz wählen	6
2. INSTALLATION DES INNENGERÄTS	7
2.1 Montageplatte des Außengeräts	7
2.2 Installationsprozess	8
3. INSTALLATION DES AUSSENGERÄTS	9
3.1 Montageabmessungen für das Außengerät	9
3.2 Platzanforderungen für das Außengerät	9
3.3 Kabelverbindung des Außengeräts	10
3.4 Installation des Außengeräts	10
3.5 Installation des Ablaufrohrs für das Außengerät	10
4. KÄLTEMITTEL-VERROHRUNGSARBEITEN	11
4.1 Bördelung	11
4.2 Verrohrungsarbeiten	11
4.3 Kältemittelleitung	12
4.4 Luftabsaugung	12
4.5 Leckageprüfung	12
5. VERKABELUNG	13
6. LETZTE ÜBERPRÜFUNG UND PROBELAUF	14
6.1 Liste für die letzte Überprüfung	14
6.2 Manueller Betrieb	14
6.3 Probelauf	14
7. INFORMATIONEN ZUR WARTUNG	15



Achtung: **Feuergefahr** nur für R32/R290 Kältemittel

1.1 SICHERHEITSHINWEISE

- Die Installation, Inbetriebnahme und Wartung von Klimaanlage kann gefährlich sein aufgrund von Systemdruck, elektrischen Komponenten und der Lage des Klimaanlage-systems (Decken, hoch liegende Strukturen usw.).
- Die Installation, Inbetriebnahme und Wartung der Klimaanlage darf nur von geschultem, qualifiziertem Installations- und Wartungspersonal vorgenommen werden.
- Bei den Arbeiten an der Anlage müssen die Sicherheitshinweise beachtet werden, die sich in der Dokumentation und auf Schildern, Aufklebern und Etiketten an der Anlage befinden.
- Beachten Sie alle Sicherheitscodes. Tragen Sie Schutzbrille und Arbeitshandschuhe. Halten Sie beim Lötten ein Abkühlungstuch und einen Feuerlöscher bereit. Seien Sie vorsichtig beim Aufhängen, beim Heben und bei der Anbringung von sperrigen Bauteilen.
- Lesen Sie sorgfältig diese Anleitungen und beachten Sie alle Warnungen und Sicherheitshinweise, die Sie in der Dokumentation oder am Gerät finden. Informieren Sie sich bei besonderen Anforderungen über die örtlichen Bauvorschriften und die nationalen Normen für elektrische Geräte.

! WARNHINWEIS

Dieses Symbol bedeutet die Möglichkeit von Verletzung oder Tod.

- **Kältemittelgas ist schwerer als Luft und nimmt die Stelle von Sauerstoff ein. Ein großes Leck könnte zu Sauerstoffmangel, besonders in Untergeschossen, führen und das könnte die Gefahr des Erstickens mit sich bringen, was zu ernstesten Verletzungen oder Tod führen könnte.**
- **Wenn die Klimaanlage in einem kleinen Raum installiert ist, sorgen Sie für die notwendigen Spielräume, damit die Konzentration des austretenden Kältemittels im Raum nicht den kritischen Wert übersteigt.**
- **Tritt während der Montage Kältemittelgas aus, lüften Sie den Raum sofort durch.**
Kältemittelgas kann ein giftiges Gas produzieren, wenn es mit Feuer, z.B. aus einem Heizlüfter, Ofen oder Kochgerät, in Kontakt kommt. Der Kontakt mit diesem Gas kann schwere Verletzungen oder den Tod herbeiführen.
- **Vor der Durchführung von elektrischen Arbeiten trennen Sie das Gerät von der Stromquelle. Verbinden Sie das Verbindungskabel richtig.**
Eine falsche Verbindung kann zu Schäden von elektrischen Bauteilen führen.
- **Verwenden Sie die vorgeschriebenen Kabel für die elektrischen Anschlüsse und verbinden Sie die Kabel fest an die entsprechenden Stellen der Klemmleiste, damit keine äußere Kraft auf die Klemmleiste ausgeübt wird.**
- **Sorgen Sie für Erdung.**
Verbinden Sie die Erdungskabel der Geräte nicht mit Gas- oder Wasserleitungen, einem Blitzableiter oder Telefonerdungskabeln. Eine unvollständige Erdung kann die Gefahr eines schweren Stromschlags verursachen, was zu Verletzungen oder Tod führen kann.
- **Verpackungsmaterial sicher entsorgen.**
Verpackungsmaterial wie Nägel und andere Teile aus Metall oder Holz können Stiche oder andere Verletzungen verursachen. Zerreißen Sie Verpackungs-Plastikbeutel und werfen Sie sie weg, damit Kinder nicht damit spielen. Wenn Kinder mit Plastikbeuteln spielen, können sie ersticken.
- **Installieren Sie das Gerät nicht in der Nähe von brennbarem Gas oder Gasdämpfen.**
- **Stellen Sie sicher, dass Sie die mitgelieferten oder genau angegebenen Montageteile verwenden.**
Die Verwendung anderer Bauteile kann zu Ausfall des Geräts oder zu Wasseraustritt, Stromschlag, Brand oder Beschädigung der Ausrüstung führen.
- **Bei der Installation oder dem Transport des Systems an einen anderen Platz darf keine Luft oder andere Substanzen als das spezifizierte Kühlmittel (R410A) in den Kühlkreislauf gelangen.**
- **Nehmen Sie nie Änderungen am Gerät vor indem Sie die Sicherheitsschalter entfernen oder die Schutzvorrichtungen umgehen.**
- **Elektrische Arbeiten sollen in Übereinstimmung mit dem Installationshandbuch und den lokalen, staatlichen und nationalen Normen für Verkabelung durchgeführt werden.**

! WARNHINWEIS

- **Stellen Sie sicher, dass ein gesonderter Stromkreis verwendet wird. Verwenden Sie nie die gleiche Steckdose gleichzeitig für andere Geräte.**
- **Damit Gefahren aufgrund von unbeabsichtigtem Zurücksetzen der Thermosicherung vermieden werden, darf die Stromversorgung dieses Geräts nicht durch ein externes Schaltgerät wie einen Timer erfolgen und das Gerät darf nicht an einen Kreislauf angeschlossen werden, der von dem Hilfsprogramm regelmäßig ein- und ausgeschaltet wird.**
- **Benutzen Sie die für die elektrische Verbindung vorgeschriebenen Kabel mit einer schlauchgeschützten Isolierung mit entsprechender Temperaturbeständigkeit.**
Nicht konforme Kabel können Kriechstrom, Störung der Wärmeleistung oder Brand verursachen.
- **Verwenden Sie zur Beschleunigung des Entfrostens oder zum Reinigen nur die von dem Hersteller empfohlenen Mittel.**
- **Das Gerät soll sich in einem Raum ohne Zündquellen, die dauernd in Betrieb sind (z.B. offenes Feuer und Gasgeräte oder Elektroheizgeräte, die in Betrieb sind), befinden.**
- **Nicht gewaltsam öffnen oder verbrennen.**
- **Beachten Sie, dass Kältemittel keinen Geruch haben sollten.**
- **Das Gerät soll in einem gut gelüfteten Raum gelagert werden, dessen Größe der vorgeschriebenen Betriebsraumgröße entspricht.**
- **Für Modelle mit Kältemittel R32:**
Das Gerät soll in einem Raum installiert, benutzt und gelagert werden, dessen Grundfläche größer als 4m² ist.
Das Gerät darf nicht in einem unbelüfteten Raum installiert werden, wenn dieser kleiner als 4m² ist.
- **Für Modelle mit Kältemittel R290 ist die benötigte Mindestgröße des Raums:**
≤9000Btu/h: 13m²
>9000Btu/h und ≤12000Btu/h: 17m²
>12000Btu/h und ≤18000Btu/h: 26m²
>18000Btu/h und ≤24000Btu/h: 35m²

! ACHTUNG

Dieses Symbol bedeutet die Möglichkeit von Sachschaden oder schweren Folgen.

- **Um Körperverletzungen vorzubeugen, gehen Sie mit Bauteilen mit scharfen Kanten vorsichtig um.**
- **Installieren Sie das Innen- oder Außengerät nicht an Stellen mit besonderen Umgebungsbedingungen.**
- **Installieren Sie das Gerät nicht an Standorten, die den Lärm aus dem Gerät verstärken können oder wo der Lärm und die austretende Luft die Nachbarn stören können.**
- **Die Ablaufverrohrung soll sicher und den Anleitungen des Installationshandbuchs gemäß durchgeführt werden.**
Unsachgemäß installierte Ablaufrohre können zu Wasseraustritt und zu Schäden am Gebäude führen.
- **Die Klimaanlage darf nicht an folgenden Stellen installiert werden:**
 - Wo es Mineralöl oder Arsensäure gibt.
 - Wo sich Schadgas (wie schwefelsäurehaltiges Gas) oder brennbares Gas (wie Verdüner) ansammeln kann oder wo mit volatilen, brennbaren Substanzen umgegangen wird.
 - Wo es Geräte gibt, die elektromagnetische Felder oder Hochfrequenzoberwellen produzieren.
- **Das Gerät soll so gelagert werden, dass es nicht zu mechanischen Schäden kommen kann.**
- **Jede Person, die an einem Kältemittelkreislauf arbeitet oder darin eingreift, soll ein gültiges Zertifikat von einer von der Branche anerkannten Beurteilungsstelle besitzen, das ihre Kompetenz bestätigt, Kältemittel gemäß einer von der Branche anerkannten Beurteilungsspezifikation sicher zu handhaben.**

1.2 ZUBEHÖR

Folgendes Zubehör wird mit dem Gerät mitgeliefert. Typ und Menge können je nach den Spezifikationen verschieden sein.

Name des Zubehörs	Menge (Stück)	Form	Name des Zubehörs	Menge (Stück)	Form
Handbuch	3		Fernbedienung	1	
Ablauföffnung	1		Batterie	2	
Dichtungsring	1		Halterung für Fernbedienung	1	
Montageplatte	1		Schraube B	2	
Dübel	5		Kleiner Filter	1	
Schraube A	5		Magnetring (Bei manchen Anlagen)	N*	

* bedeutet je nach aktueller Menge

1.3 INSTALLATIONSPLATZ WÄHLEN

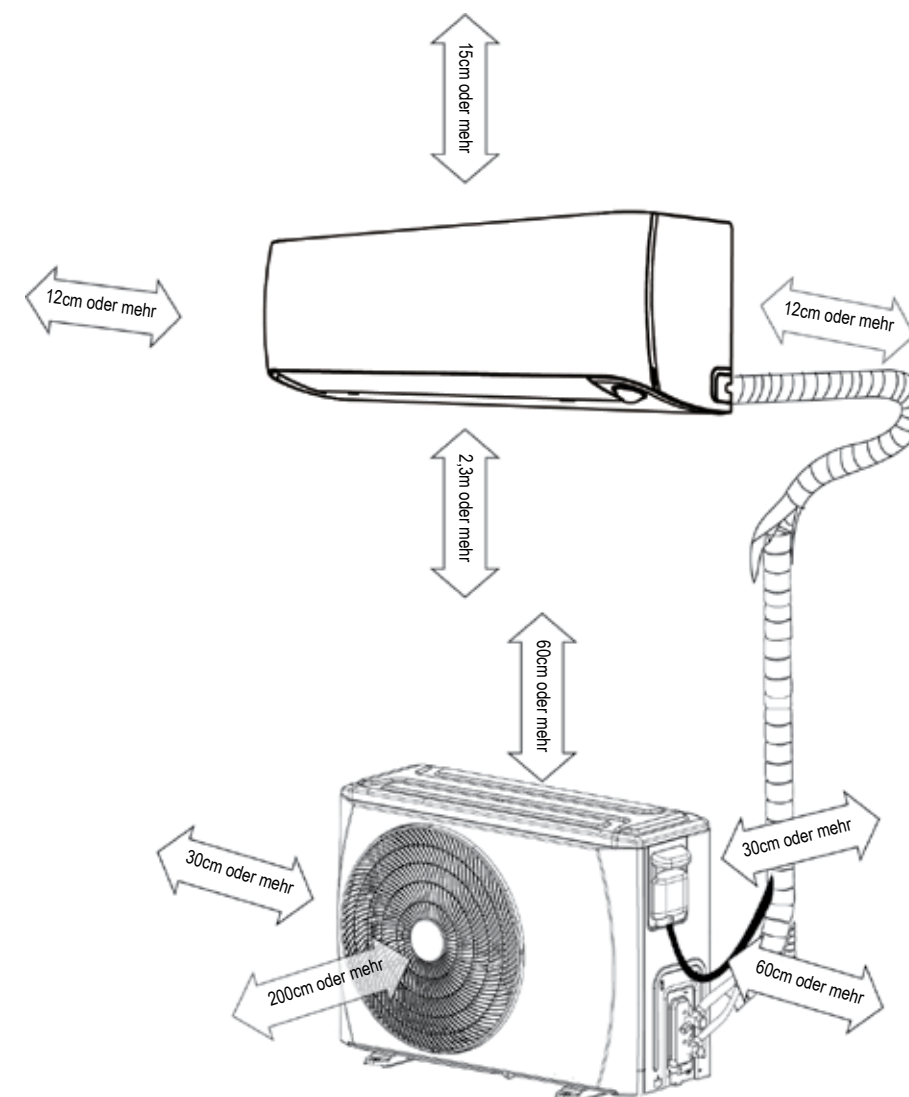
Innengerät

- Ein Standort, der das Gewicht des Innengeräts aufnehmen kann.
- Innengeräte dürfen nicht in der Nähe von einer direkten Wärmequelle wie direkter Sonneneinstrahlung oder Heizkörpern installiert werden.
- Ein Standort mit den geeigneten Freiräumen, wie die Abbildung unten zeigt.
- Die beweglichen Teile des Geräts müssen sich in Höhe von mindestens 2,3m von dem Boden befinden/installiert sein.

Außengerät

- Ein Standort, der für die Installation geeignet und windgeschützt ist. Wenn das Gerät starkem Wind ausgesetzt ist, sollte eine Windblende verwendet werden.
- Ein Standort, der das Gewicht des Außengeräts aufnehmen kann und wo das Außengerät horizontal installiert werden kann.
- Ein Standort mit den geeigneten Freiräumen, wie die Abbildung unten zeigt.

Installieren Sie das Innen- oder Außengerät nicht an Stellen mit besonderen Umgebungsbedingungen. Stellen Sie sicher, dass ausreichend Raum für die Montage und die Wartung vorhanden ist.



Hinweis: Halten Sie die durch Pfeile angezeigten Abstände von Wand, Decke, Gitter oder anderen Hindernissen ein.

Die Verrohrung ist nach hinten, links, hinten links und rechts möglich

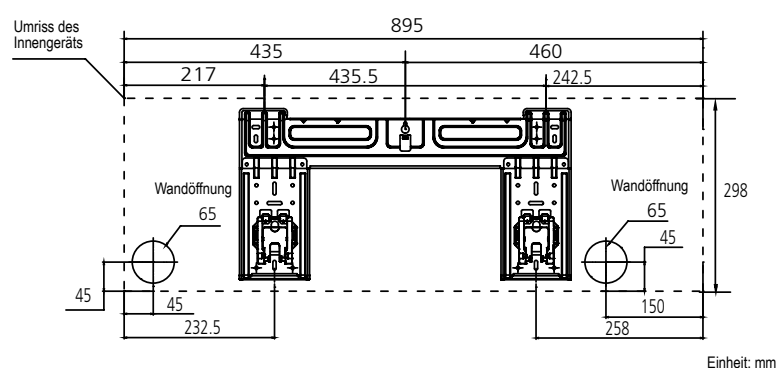
Stecken Sie den mitgelieferten Gummistopfen in das nicht benutzte Ablaufloch

Schneiden Sie die Nebenschalttafel aus je nach Größe der Verrohrung.

Nebenschalttafel

2. INSTALLATION DES INNENGERÄTS

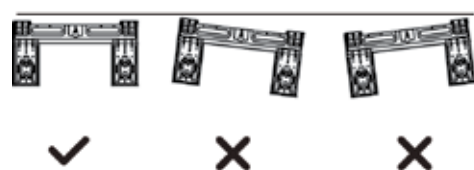
2.1 MONTAGEPLATTE DES INNENGERÄTS



Hinweis: Wenn das gasseitige Verbindungsrohr $\varnothing 16\text{mm}$ (5/8in) oder größer ist, sollte das Loch für das Rohr 90mm (3,54in) betragen.

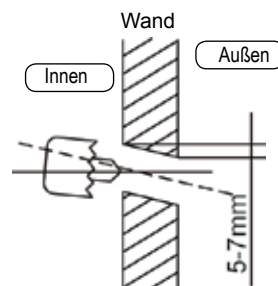
■ Installation der Montageplatte

Befestigen Sie die Montageplatte horizontal und an der Wand anliegend mit fünf oder mehr A-Schrauben.



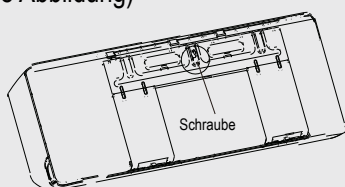
■ Loch in die Wand bohren

Bohren Sie ein 65mm- oder 90mm-Loch (je nach Modell) in die Wand, leicht schräg nach außen.



Hinweis:

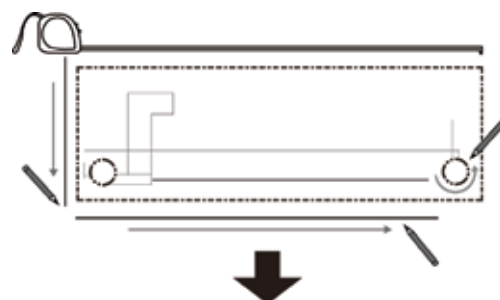
■ Die Montageplatte ist zum leichteren Transport mit einer Schraube befestigt; Sie sollen diese Schraube vor der Installierung entfernen. (Siehe Abbildung)



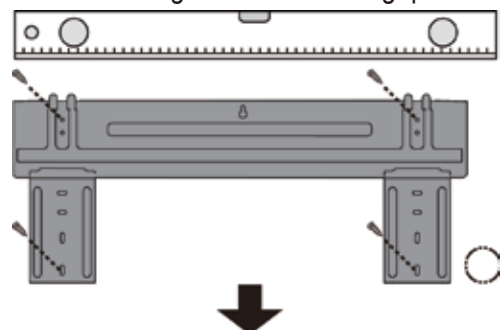
■ Je nach Größe des Geräts wird die Montageplatte wie auf einer der Abbildungen aussehen. Die Löcher für die Befestigungsdübel sollen einen Durchmesser von 5mm haben.

2.2 INSTALLATIONSPROZESS

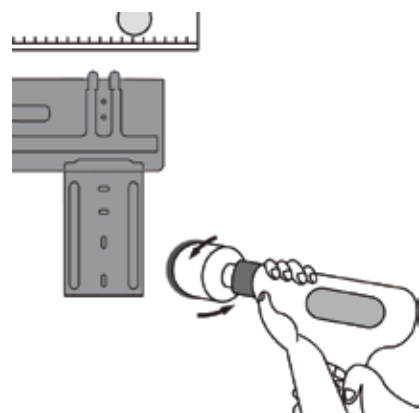
Schritt 1: Bestimmen Sie die Lage des Wandlochs



Schritt 2: Bringen Sie die Montageplatte an

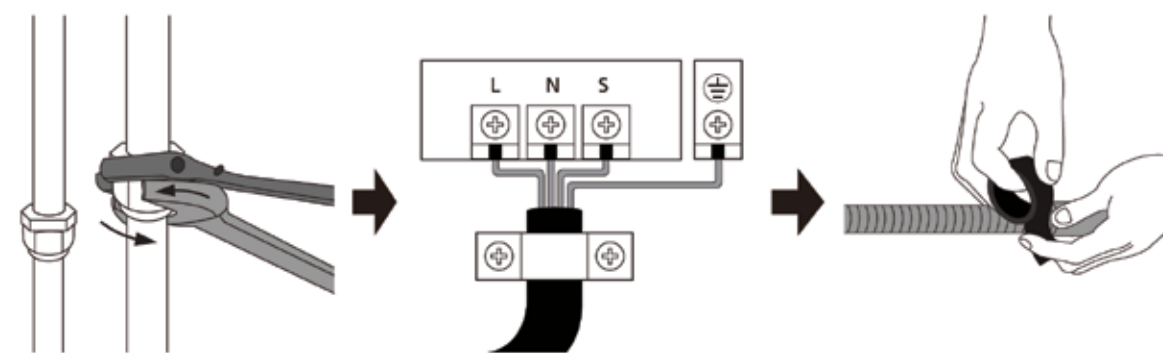


Schritt 3: Bohren Sie das Wandloch

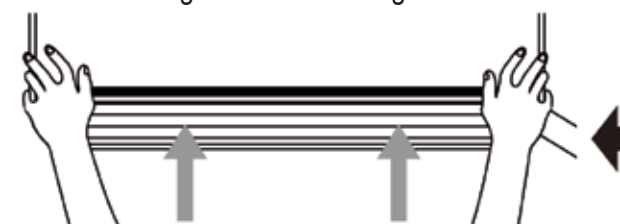


2. INSTALLATION DES INNENGERÄTS

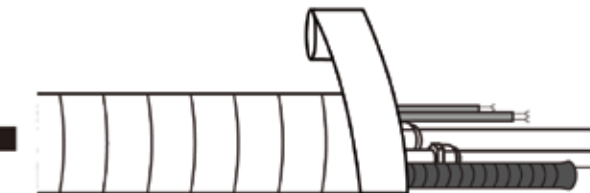
Schritt 4: Verbinden Sie das Rohr Schritt 5: Verbinden Sie das Kabel Schritt 6: Bereiten Sie den Ablaufschlauch vor



Schritt 8: Hängen Sie das Innengerät auf

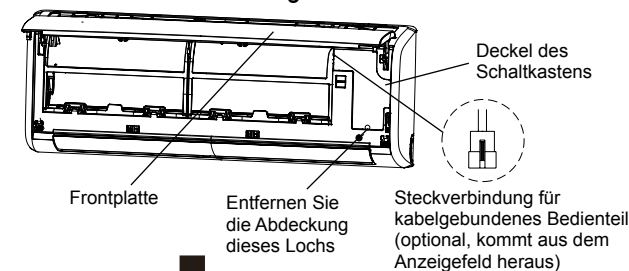


Schritt 7: Umwickeln Sie Schlauch und Kabel

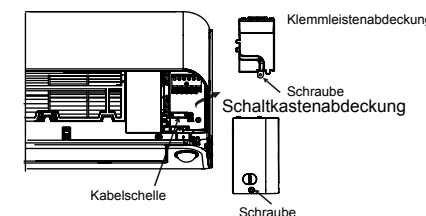


■ Verkabelung des Innengeräts

1. Heben Sie die Frontplatte des Innengeräts.
2. Öffnen Sie den Deckel des Schaltkastens mit einem Schraubenzieher durch das Loch, entfernen Sie die Anschlussabdeckung mit der Hand und die Schelle des Kabels durch Lockern der Schrauben.
3. Ziehen Sie die Verbindungskabel hinter die Rückseite des Innengeräts durch und verbinden Sie sie mit der Klemmleiste des Innengeräts

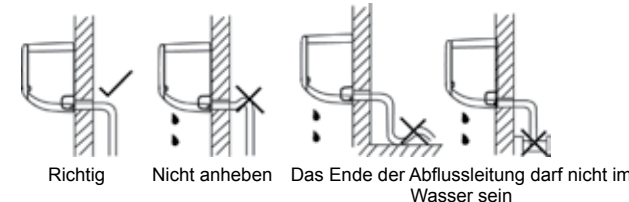


Frontplatte
Entfernen Sie die Abdeckung dieses Lochs
Steckverbindung für kabelgebundenes Bedienteil (optional, kommt aus dem Anzeigefeld heraus)



■ Wasserablauf

Die Abflussleitung darf keinen Trap haben, muss nach unten geneigt sein und auf der Außenwandseite isoliert sein.

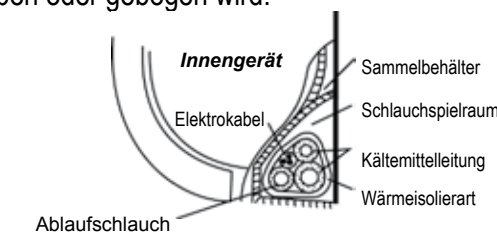


Richtig Nicht anheben Das Ende der Abflussleitung darf nicht im Wasser sein

■ Die Leitung umwickeln

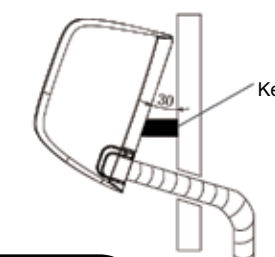
Für die richtige Orientierung der Kältemittelleitungen, der elektrischen Kabel und der Abflussleitungen siehe Abbildung unten

- Platzieren Sie den Ablaufschlauch unter die Kältemittelleitung.
- Stellen Sie sicher, dass der Ablaufschlauch nicht gehoben oder gebogen wird.



■ Hängen Sie das Innengerät auf

1. Ziehen Sie die Kältemittelleitungen durch das Loch in der Wand durch.
2. Hängen Sie das Innengerät am oberen Haken der Montageplatte auf, und dann schieben Sie den unteren Teil des Innengeräts gegen die Wand zum unteren Haken hin.
3. Bewegen Sie das Innengerät nach rechts und links und nach oben und unten, um zu prüfen, ob es sicher aufgehängt ist.



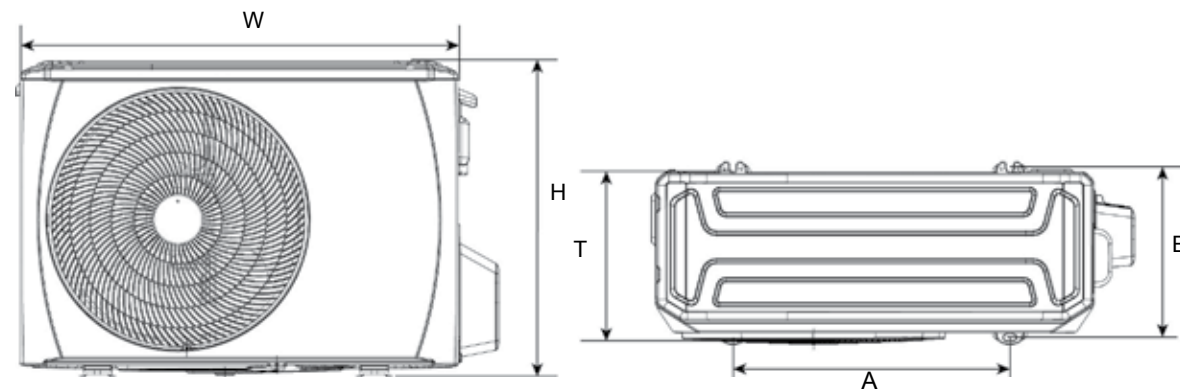
ACHTUNG

- Die Anschlusssteile der Anschlussleitung müssen sich außerhalb des Raums befinden.

3. INSTALLATION DES AUSSENGERÄTS

3.1 MONTAGEABMESSUNGEN FÜR DAS AUSSENGERÄT

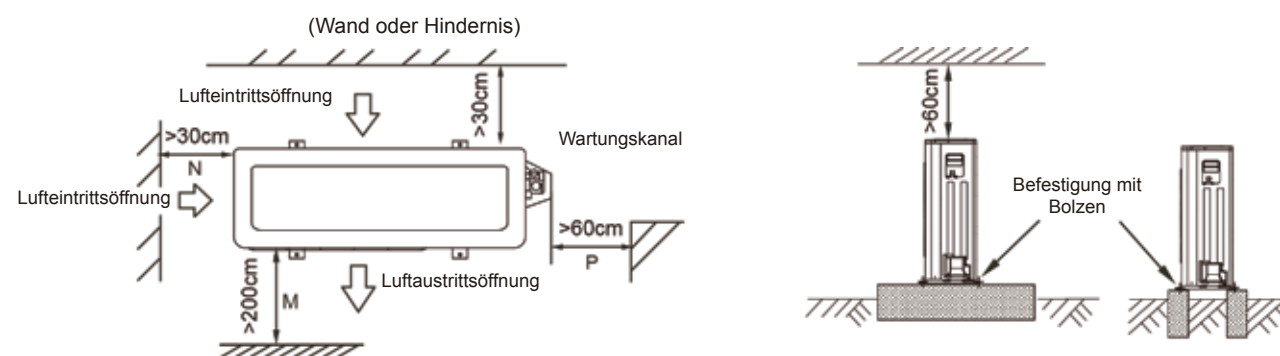
Die Montageausmessungen sind bei den verschiedenen Außengeräten unterschiedlich. Der Kopfdurchmesser des Befestigungsbolzens sollte mehr als 12mm betragen.



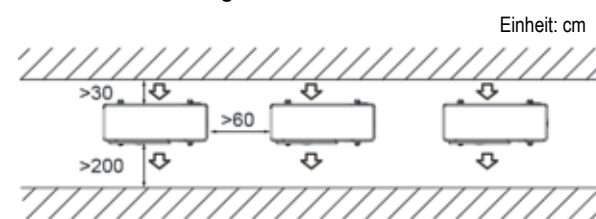
Abmessungen des Außengeräts (mm)			Montageabmessungen (mm)		
Außengerät	W	H	T	A	B
38QHP09E8S 38QHP12E8S	800	554	333	515	340

3.2 PLATZANFORDERUNGEN FÜR DAS AUSSENGERÄT

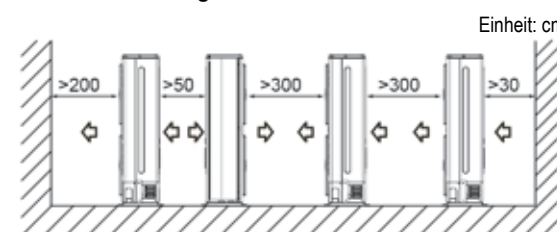
Installation eines einzelnen Geräts



Parallele Verbindung von zwei oder mehr Geräten



Parallele Verbindung der Vorderseite mit den Hinterseiten



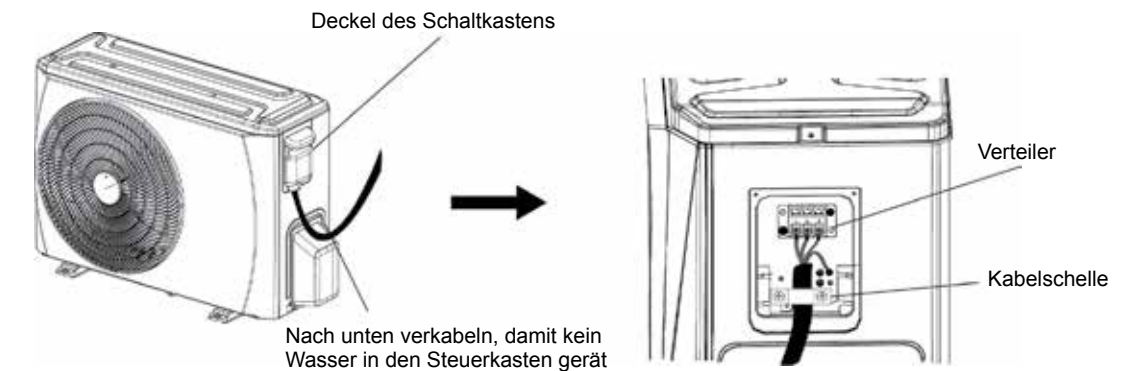
ACHTUNG

- In Gegenden mit Schneefällen und niedrigen Temperaturen sollten Sie das Außengerät nicht an Stellen installieren, wo es mit Schnee bedeckt werden könnte. Wenn schwerer Schneefall erwartet wird, sollte ein bauseitig bereitgestelltes Eis- oder Schneegestell und/oder eine Windblende installiert werden, um das Gerät vor Schneeanhäufung zu beschützen und/oder das Blockieren des Lufteintritts zu vermeiden.

3. INSTALLATION DES AUSSENGERÄTS

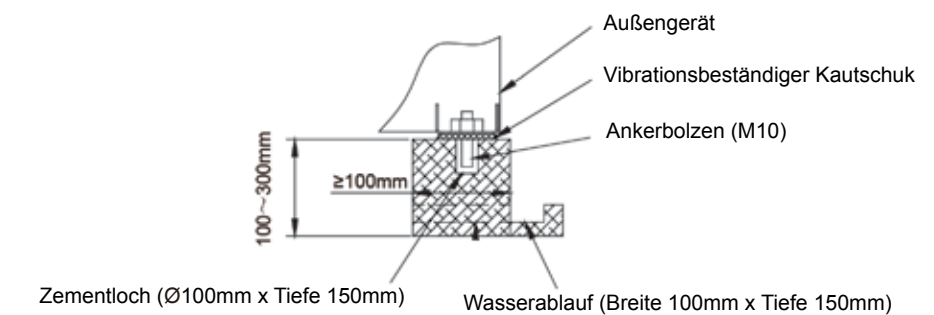
3.3 KABELVERBINDUNG DES AUSSENGERÄTS

- Entfernen Sie den Deckel des Schaltkastens und die Kabelschelle, indem Sie die Schrauben lockern.
- Verbinden Sie die Kabel mit der Klemmleiste des Außengeräts so, wie Sie es für das Innengerät getan haben.



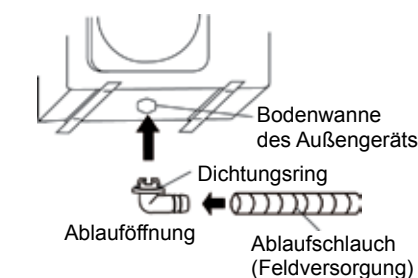
3.4 INSTALLATION DES AUSSENGERÄTS

- Vor der Installation prüfen Sie die horizontale und vertikale Belastbarkeit der Grundlage, damit keine abnormen Geräusche produziert werden.
- Befestigen Sie die Grundlage mit Ankerbolzen (M10), damit sie nicht umfällt.
- Installieren Sie eine Unterlage aus vibrationsbeständigem Kautschuk als direkte Stütze der unteren Fläche des Befestigungsarms, der sich mit der unteren Platte des Außengeräts in Kontakt befindet.



3.5 INSTALLATION DES ABLAUFROHRS FÜR DAS AUSSENGERÄT

- Schließen Sie einen Verlängerungsschlauch an den Stopfen an.
- Bringen Sie den Dichtungsring am Stopfen an.
- Stecken Sie den Stopfen in die Öffnung der Bodenwanne des Außengeräts ein, und drehen Sie um 90 Grad, damit er fest sitzt.



ACHTUNG

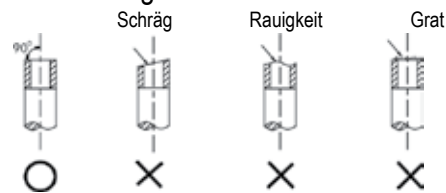
- Prüfen Sie, ob der Höhenunterschied zwischen Innen- und Außengerät und die Gesamtlänge der Kältemittelleitung die Systemanforderungen erfüllen.
- Die Arbeiten der Kältemittelverrohrung kommen nach der Installation des Innen- und Außengeräts; verbinden Sie das Rohr zuerst auf der Innenseite und dann auf der Außenseite.
- Die Enden der Rohre sollen immer abgedichtet sein; dazu sollen Sie während der Installation einen Verschluss verwenden oder sie mit Band umwickeln. Nehmen Sie sie NICHT ab, bis Sie in der Lage sind, die Rohre zu verbinden.
- Sie müssen alle Feldverrohrungen bis zu der Rohrverbindung innerhalb des Geräts isolieren. Nicht isolierte Verrohrungen können Kondensat oder Brände bei Berührung verursachen.
- Wenn sich das Außengerät in der höchsten Position befindet und der Höhenunterschied mehr als 10m beträgt, ist es ratsam, alle 5-8m einen Ölrücklaufbogen zu installieren. Der Radius des Ölrücklaufbogens sollte größer als 10cm sein.

4.1 BÖRDELUNG

HINWEIS

- Für die Bördelung sind Rohrschneidezange, Reibahle, Bördelwerkzeug und Rohrhalterung erforderlich.
- Für Modelle, die das Kältemittel R32 verwenden, müssen die Rohrverbindungspunkte außerhalb des Raums platziert werden.

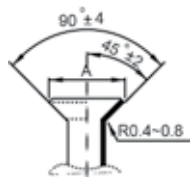
4.1.1 Schneiden Sie mit der Rohrschneidezange das Rohr in der gewünschten Länge. Stellen Sie sicher, dass der Winkel der Schnittkante zu der Seite des Rohrs 90° beträgt.



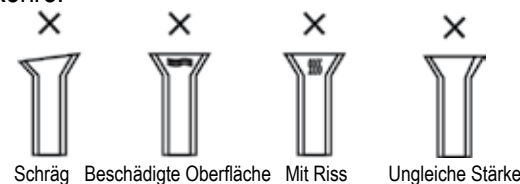
4.1.2 Benutzen Sie eine Reibahle um Grat zu entfernen; die Schnittfläche soll nach unten sein, damit die Splitter nicht in das Rohr gelangen.

4.1.3 Benutzen Sie bei der Bördelung das Bördelwerkzeug nach folgender Tabelle.

Außendurchmesser	A (mm)	
	Max	Min
Ø6,35 mm	8,7	8,3
Ø9,52 mm	12,4	12,0
Ø12,7 mm	15,8	15,4
Ø15,88 mm	19,0	18,6
Ø19,05 mm	23,3	22,9



4.1.4 Prüfen Sie, ob die Isolierung richtig durchgeführt wurde. Unten sehen Sie nicht korrekt gebördelte Rohre.

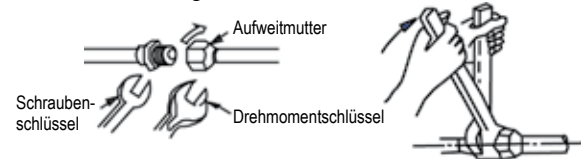


ACHTUNG

- Sollte Löten notwendig sein, verwenden Sie Stickstoff als Treibgas.
- Ein falscher Drehmoment wird die Bördelung beschädigen oder Gasleckage verursachen.

4.2 VERROHRUNGSARBEITEN

4.2.1 Richten Sie die Zentren miteinander um die Bördelmutter festzudrehen und schließen Sie die Verbindung mit zwei Schraubenschlüsseln ab.



Rohrgröße	Drehmoment
Ø6,35 mm	18 ~ 20 N.m
Ø9,52 mm	25 ~ 26 N.m
Ø12,7 mm	35 ~ 36 N.m
Ø15,88 mm	45 ~ 47 N.m
Ø19,05 mm	65 ~ 67 N.m

4.2.2 Wählen Sie das geeignete Isoliermaterial für die Kältemittelleitung. (Min. 10mm, Wärmedämmstoff C)

- Verwenden Sie separate wärmedämmende Rohre für Gas- und Flüssigkeitsleitungen.
- Die angegebene Größe ist ein Standard für Innentemperatur von 27°C und 80% Feuchtigkeit. Wenn Sie an ungünstigen Stellen wie in der Nähe von Badezimmern, Küchen und anderen ähnlichen Räumen, verstärken Sie die Isolierung.
- Die Wärmebeständigkeit der Isolierung soll mehr als 120°C betragen.
- Benutzen Sie die Klebstoffe am Verbindungsteil der Isolierung, damit keine Feuchtigkeit in das Gerät gelangt.
- Reparieren und decken Sie alle Risse in der Isolierung und prüfen Sie besonders den Biegeteil oder den Aufhänger der Rohre.

4.3 KÄLTEMITTELEITUNG

Hinweis: Das Kältemittel sollte über den Wartungsanschluss am Niederdruckventil des Außengeräts eingefüllt werden.

	Minimale Länge, um ungewöhnliche Vibrationen oder Geräusche zu vermindern	Vorgefüllte Länge	Zusätzliche Belastung pro Meter	
			Flüssigkeitsseite: Ø6,35mm	Flüssigkeitsseite: Ø9,52mm
R32*	3 m	5 m	12 g	24 g

* Benutzen Sie Werkzeug für R32-System.

HINWEIS

- Eine zusätzliche Länge des Verbindungsrohrs wird die Leistung und die Energieeffizienz des Geräts beeinflussen.
- Die Nennleistung wird ausgehend von einer Rohrlänge von 5 m geprüft.
- Wenn das Rohr länger als 5m ist, soll das zusätzliche Kältemittel der Rohrlänge entsprechend nachgefüllt werden.

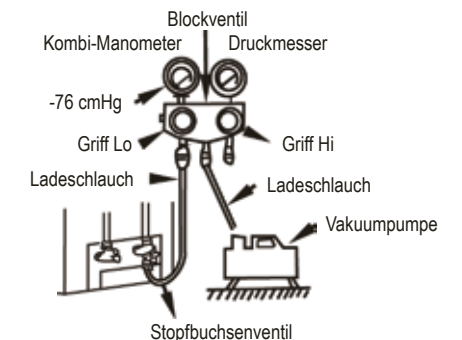
Die angezeigte maximale Rohrlänge ist unten angeführt.

Modelle	R32 Inverter	
	Maximale Rohrlänge (m)	Max. Höhenunterschied (m)
9K/12K	25	10

* Benutzen Sie Werkzeug für R32-System.

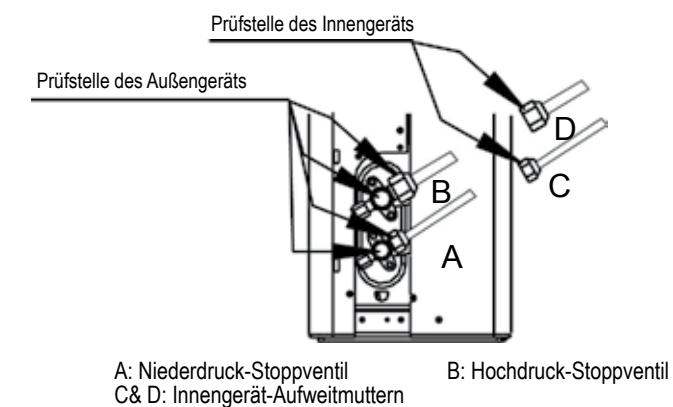
4.4 LUFTABSAUGUNG

- Verbinden Sie den Füllschlauch des Ansaugkrümmer-Messgeräts mit der Wartungsöffnung des gaseitigen Stopfbuchsenventils.
- Verbinden Sie den Füllschlauch mit der Vakuumpumpe.
- Drehen Sie den Griff Lo des Ansaugkrümmer-Messgeräts ganz auf.
- Nehmen Sie die Vakuumpumpe in Betrieb um die Luft aus dem System bis zu -76cmHg abzusaugen.
- Drehen Sie den Griff Lo des Ansaugkrümmer-Messgeräts zu.
- Drehen Sie den Stopfbuchsenventilschaft ganz auf.
- Nehmen Sie den Füllschlauch von der Wartungsöffnung ab.
- Machen Sie die Stopfbuchsenventilkappen fest.



4.5 LECKAGEPRÜFUNG

Wenn die Verrohrung zu Ende ist, müssen Sie unbedingt das Verbindungsteil von jedem Kältemittelrohr prüfen und sicherstellen, dass es keine Gasleckage gibt; dazu benutzen Sie Seifenwasser oder ein spezielles Leckprüfgerät für HFC-Kältemittel. Siehe dazu folgende Abbildung.



ACHTUNG

- Alle elektrischen Anschlüsse müssen von qualifiziertem Installationspersonal vorgenommen werden und die Verbindung aller Kabel muss gemäß dem Verkabelungsplan durchgeführt werden.
- Die Masseverbindung soll vor allen anderen elektrischen Anschlüssen hergestellt werden.
- Vor den Verkabelungsarbeiten müssen alle Stromquellen ausgeschaltet werden und der Strom soll nicht eingeschaltet werden, bevor Sie geprüft haben, dass alle Verkabelungen sicher sind.
- Es muss ein Trenn- oder Leistungsschalter installiert werden, dessen maximale Kapazität mehr als 1,5mal größer als die des maximalen Stroms im Kreislauf sein soll.
- Ein getrennter Stromkreis und eine separate Steckdose nur für dieses Gerät müssen vorhanden sein.
- Der Leiterquerschnitt hängt von dem Nennstrom und den lokalen, staatlichen und nationalen Normen für Verkabelung ab. Informieren Sie sich bei besonderen Anforderungen über die örtlichen Bauvorschriften und die nationalen Normen für elektrische Geräte.
- Wenn das Netzkabel beschädigt ist, ist es vom Hersteller, dessen Kundendienst oder entsprechend geschultem Fachpersonal zu ersetzen, um Gefahren zu vermeiden.
- Das Gerät muss an die Hauptstromversorgung über einen Leistungsschalter oder einen Trennschalter angeschlossen werden, der allpolig trennt und eine Kontaktöffnungsweite von mindestens 3 mm hat. Es ist ratsam, eine Fehlerstrom-Schutzeinrichtung (RCD) mit einem Bemessungsfehlerstrom, der die 30mA nicht überschreitet, zu installieren.
- Dieses Gerät verfügt über einen Erdungsanschluss nur für funktionale Zwecke.

Nennstrom für jedes Modell

Modell	Nennstrom (A)	Sicherungsnennleistung (A)	Netzkabel (mit min. Leiterquerschnitt)	Verbindungskabel (mit min. Leiterquerschnitt)
38QHP09E8S	10,0	16	3*1,5 mm ²	5*1,5 mm ²
38QHP12E8S	13,0	20	3*1,5 mm ²	5*1,5 mm ²

ANMERKUNG:

1. Alle Stromkabel müssen den lokalen, staatlichen und nationalen Normen entsprechen. Informieren Sie sich bei besonderen Anforderungen über die örtlichen Bauvorschriften und die nationalen Normen für elektrische Geräte.
2. Typ des Außenstromkabels und des Verbindungskabels: H07RN-F.
3. Der Nennstrom des Geräts ist auf dem Typenschild zu finden.
4. Die Spezifikation des Sicherung des Außengeräts ist T20 A/250 VAC (gilt nur für Geräte, die das Kältemittel R32 verwenden). Hinweis: Die Sicherung ist aus Keramik gefertigt.



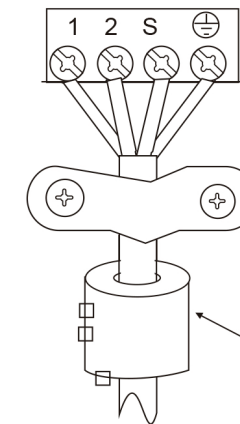
Verbindungsplan

Modell	Innengerät	Außengerät
QHP09 QHP12		
	Nach außen	Nach innen

Magnetringinstallation

Hinweis: Die Klemmleiste kann je nach Modell verschieden sein.

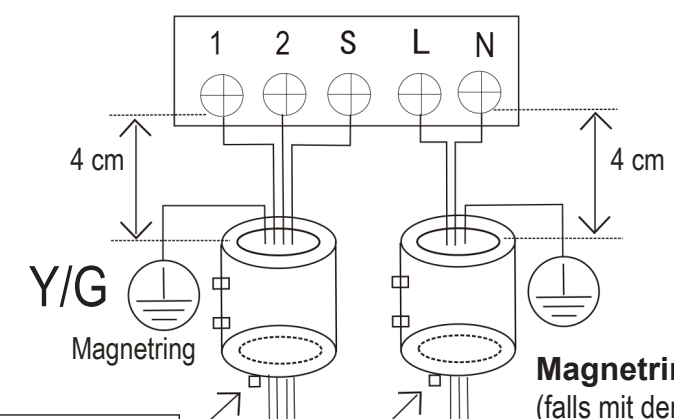
Innengerät



Magnetring

(falls mit dem Zubehör zusammen geliefert und verpackt)
Ziehen Sie das Band durch das Loch des Magnetrings, um es auf dem Kabel zu befestigen

Außengerät



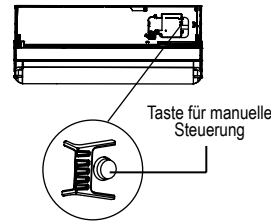
Ziehen Sie das Band durch das Loch des Magnetrings, um es auf dem Kabel zu befestigen

Magnetring
(falls mit dem Zubehör zusammen geliefert und verpackt)

6.1 LISTE FÜR DIE LETZTE ÜBERPRÜFUNG

Um die Installation abzuschließen, prüfen Sie vor dem Probelauf Folgendes.

- Tragfähigkeit der Installationsstelle für Außen- und Innengerät, keine Hindernisse vor der Lufteintritts- und Luftaustrittsöffnungen.
- Dichte der Kältemittelrohrverbindungen, keine Leckage
- Die Verbindungen von Elektrokabeln sind richtig ausgeführt und das Gerät wurde geerdet
- Prüfen Sie die Gesamtlänge der Verrohrung und notieren Sie die Menge des nachgefüllten Kältemittels
- Die Stromversorgung soll der Nennspannung des Klimageräts entsprechen
- Rohrisolierung
- Ablauf



6.2 MANUELLER BETRIEB

Der manuelle Betrieb kann durch das Drücken auf die entsprechende Taste aktiviert werden.

Drücken Sie mehrmals auf die Handsteuerungstaste um Betriebsart wie folgt zu wechseln:

- Einmal = AUTO-Betrieb [Heizen, Kühlen oder Lüfter, 24°C und Lüftergeschwindigkeit Auto].
- Zweimal = COOLING-Betrieb [schaltet auf AUTO-Betrieb nach 30 Minuten (hauptsächlich zum Probelauf)].
- Dreimal = OFF

6.3 PROBELAUF

Wählen Sie die Betriebsart COOLING mit der Fernbedienung (oder mit der Handsteuerungstaste) und prüfen Sie den Betriebsstatus sowohl des Innen- als auch des Außengeräts. Falls es Fehlfunktionen gibt, korrigieren Sie sie wie im Kapitel "Fehlerbehebung" des Wartungshandbuchs beschrieben wird.

Innengerät

- Funktionieren die Tasten (wie ON/OFF, MODE, TEMPERATURE, FAN SPEED etc.) der Fernbedienung richtig?
- Bewegt sich der Luftstromschlitze normal?
- Ist die Raumtemperatur richtig eingestellt?
- Funktionieren die Anzeigeleuchten auf dem Anzeigefeld richtig?
- Funktioniert die Handsteuerungstaste richtig?
- Ist der Abfluss gewährleistet?
- Treten beim Betrieb Vibrationen oder ungewöhnliche Geräusche auf?
- Funktioniert das Innengerät gut in den Betriebsarten COOLING oder HEATING?

Außengerät

- Treten beim Betrieb Vibrationen oder ungewöhnliche Geräusche auf?
- Haben der Luftstrom, das Geräusch oder das Kondensat, die von der Klimaanlage produziert werden, Ihre Nachbarn gestört?
- Tritt Kältemittel aus?

⚠ ACHTUNG

- Wenn Sie das Gerät wieder in Betrieb nehmen, gibt es eine Verzögerung des Verdichterbetriebs von ungefähr 3 Minuten zum Schutz des Geräts.

7.1 PRÜFUNG DER UMGEBUNG

Vor den Arbeiten an Systemen, die entzündliche Kältemittel enthalten, müssen Sicherheitsprüfungen durchgeführt werden, damit die Minimierung der Brandgefahr sichergestellt ist. Bei Reparaturen des Kältemittelsystems müssen vor den Arbeiten am System folgende Sicherheitsvorkehrungen getroffen werden.

7.2 ARBEITSABLAUF

Der Arbeitsablauf soll kontrolliert werden, damit die Gefahr des Vorkommens eines entzündlichen Gases oder Dampfes während der Durchführung der Arbeiten minimiert wird.

7.3 ALLGEMEINER ARBEITSBEREICH

Das Wartungspersonal und alle Personen, die in dem jeweiligen Arbeitsbereich tätig sind, sollen über die Natur der auszuführenden Arbeiten unterrichtet werden. Die Arbeiten in engen Räumen sind zu vermeiden. Die Gegend um den Arbeitsbereich soll abgegrenzt werden. Sorgen Sie für sichere Arbeitsbedingungen in diesem Bereich durch die Kontrolle von entzündlichen Materialien.

7.4 PRÜFUNG AUF DAS VORHANDENSEIN VON KÄLTEMITTEL

Vor und während der Arbeiten muss der Bereich mit einem geeigneten Prüfgerät für Kältemittel untersucht werden, damit sichergestellt wird, dass der Techniker über potenziell brennbare Atmosphären informiert ist. Stellen Sie sicher, dass die verwendete Leckerkennungseinrichtung zum Verwenden mit brennbaren Kältemitteln geeignet, das heißt, nicht funkenbildend, angemessen abgedichtet oder eigensicher ist.

7.5 VORHANDENSEIN EINES FEUERLÖSCHERS

Wenn Heißenarbeiten an der Kühlanlage oder deren Teilen ausgeführt werden sollen, muss eine geeignete Feuerlöschereinrichtung griffbereit sein. In der Nähe des Arbeitsbereichs soll es einen Trockenpulver- oder CO₂-Feuerlöscher geben.

7.6 KEINE ZÜNDQUELLEN

Bei Arbeiten an einem Kühlsystem, bei denen Leitungen aufgedeckt werden, welche brennbares Kältemittel enthalten oder enthalten, dürfen die Beteiligten keine Zündquellen auf eine Weise benutzen, die Brand- oder Explosionsgefahr zur Folge haben könnte. Alle möglichen Zündquellen, Zigaretten rauchen inbegriffen, sollten von dem Bereich von Installation, Reparatur, Beseitigen und Entsorgen weit genug entfernt sein, da es möglich ist, dass brennbares Kältemittel in den Raum freigesetzt wird. Vor den Arbeiten muss der Bereich, wo sich die Einrichtung befindet, untersucht werden, damit sichergestellt ist, dass es keine Brand- oder Entzündungsgefahr gibt. Der Arbeitsbereich muss mit "RAUCHEN VERBOTEN" - Schildern versehen werden.

7.7 BELÜFTETER RAUM

Sorgen Sie dafür, dass sich der Arbeitsbereich im Freien befindet oder ausreichend belüftet wird, bevor Sie in das Kältemittelsystem eingreifen oder Heißenarbeiten verrichten. Während der Arbeiten soll die Belüftung in einem gewissen Maß fortgesetzt werden. Die Ventilation soll jegliches freigesetzte Kältemittel sicher zerstreuen und möglichst nach außen in die Luft ausstoßen.

7.8 PRÜFUNG DER KÜHLUNGS-AUSRÜSTUNG

Wenn Änderungen an elektrischen Komponenten vorgenommen werden, sollten sie zweckgemäß sein und den ordnungsgemäßen Spezifikationen entsprechen. Die Herstelleranweisungen für Wartung und Service sollen immer befolgt werden. Im Zweifelsfall wenden Sie sich an die technische Abteilung des Herstellers um Rat. Für Installationen, bei denen brennbare Kühlmittel verwendet werden, müssen folgende Prüfungen vorgenommen werden:

- die Kältemittel-Füllmenge entspricht der Größe des Raums, in dem die Kältemittel enthaltenden Teile installiert werden;
- die Ventilationsanlage und die Ventile funktionieren richtig und es gibt dort keine Hindernisse;
- wenn ein indirekter Kühlkreislauf benutzt wird, sollen die sekundären Kreisläufe auf das Vorhandensein von Kältemittel untersucht werden; die Kennzeichnungen der Ausrüstung sollen weiterhin sichtbar und lesbar bleiben.
- unleserliche Kennzeichnungen und Zeichen sollen berichtigt werden;
- Kühlleitungen oder -komponenten sind an einer Stelle installiert, wo es nicht zu erwarten ist, dass sie Substanzen ausgesetzt werden, die eine Korrosion der Kältemittel enthaltenden Komponenten bewirken, außer wenn die Komponenten aus Materialien bestehen, die von Natur aus korrosionsbeständig sind oder die über einen geeigneten Korrosionsschutz verfügen.

7.9 PRÜFUNG DER ELEKTRISCHEN GERÄTE

Zur Reparatur und Wartung von elektrischen Komponenten sollen Anfangssicherheitskontrollen und Inspektion von Komponenten gehören. Sollte es einen sicherheitsgefährdenden Fehler geben, so darf der Kreislauf nicht an Strom angeschlossen werden, bis der Fehler behoben ist. Wenn der Fehler nicht sofort behoben werden kann und die Fortsetzung des Betriebs notwendig ist, soll eine geeignete vorläufige Lösung gewählt werden. Das muss dem Besitzer der Einrichtung gemeldet werden, so dass alle Beteiligten informiert sind.

Zu den Anfangssicherheitskontrollen gehören:

- die Entladung der Kondensatoren auf eine sichere Weise, um die Zündmöglichkeit abzuwenden
- die Sicherstellung, dass keine spannungsführenden elektrischen Komponenten und Kabel beim Füllen, bei der Wiederherstellung oder bei der Reinigung des Systems freigelegt sind;
- dass der Masseanschluss nicht unterbrochen wird.

7.10 REPARATUR VON ABGEDICHTETEN KOMPONENTEN

- 10.1 Bei Reparaturen von abgedichteten Komponenten müssen alle entsprechenden Komponenten von allen Spannungsquellen getrennt werden, bevor abgedichtete Deckel usw. entfernt werden. Wenn es absolut notwendig ist, dass die Einrichtung während der Reparatur unter Strom steht, dann muss an dem kritischsten Punkt eine Leckerkennungsvorrichtung angebracht werden, die ständig in Betrieb ist, um vor eventuellen gefährlichen Situationen zu warnen.
- 10.2 Um sicherzustellen, dass bei Arbeiten an elektrischen Komponenten das Gehäuse nicht auf eine Weise verändert wird, die das Schutzniveau beeinträchtigt, muss auf Folgendes besonders geachtet werden. Dazu gehören beschädigte Kabel, Anschlüsse, die den Originalspezifikationen nicht entsprechen, beschädigte Dichtungen, nicht richtig angebrachte Stopfbuchsen usw.
- Stellen Sie sicher, dass das Gerät sicher montiert ist.
 - Stellen Sie sicher, dass die Dichtungen oder das Dichtungsmaterial nicht so sehr beschädigt sind, dass sie nicht mehr das Eindringen von Luft mit brennbaren Elementen verhindern können. Die Ersatzteile sollen den Spezifikationen des Herstellers entsprechen.

HINWEIS: Die Verwendung von Silikondichtstoffen kann die Wirkung von einigen Typen von Leckerkennungseinrichtungen hemmen.

Eigensichere Komponenten brauchen nicht vor den Arbeiten isoliert zu werden.

7.11 REPARATUR VON EIGENSICHEREN KOMPONENTEN

Führen Sie dem Stromkreis keine induktive Belastung oder Kapazitätsbelastung zu, ohne sicherzustellen, dass die für diese Ausrüstung erlaubten Spannung und Stromstärke nicht überschritten werden. Die eigensicheren Komponenten sind die einzigen, an denen in einer brennbaren Atmosphäre gearbeitet werden kann, wenn sie unter Strom stehen. Das Prüfgerät soll den korrekten Nennwert haben. Ersetzen Sie Komponenten nur mit von dem Hersteller vorgeschriebenen Ersatzteilen. Andere Ersatzteile können bei einer Leckage die Entzündung des Kältemittels in der Luft zur Folge haben.

7.12 VERKABELUNG

Stellen Sie sicher, dass die Verkabelung keinem Verschleiß, Korrosion, extremen Druck, Vibrationen, scharfen Kanten oder anderen nachteiligen Umweltbedingungen ausgesetzt sein wird. Bei der Überprüfung sollen auch die Auswirkungen von Materialalterung oder ständiger, durch Verdichter oder Lüfter verursachter Vibration berücksichtigt werden.

7.13 ERKENNUNG VON BRENNBAREN KÄLTEMITTELN

Bei der Suche nach und der Erkennung von Kältemittelleckagen dürfen auf keinen Fall potenzielle Entzündungsquellen verwendet werden. Es darf kein Halogenidbrenner (oder ein anderer Brenner mit einer offenen Flamme) verwendet werden.

7.14 LECKERKENNUNGSMETHODEN

Die folgenden Leckerkennungsmethoden werden als akzeptabel für Systeme angesehen, die brennbare Kältemittel beinhalten. Für die Entdeckung von brennbaren Kältemitteln sollen elektronische Leckprüfgeräte verwendet werden, aber es kann sein, dass sie nicht empfindlich genug sind oder dass sie neu kalibriert werden müssen. (Die Leckerkennungsausrüstung muss in einem Bereich ohne Kältemittel kalibriert werden.) Stellen Sie sicher, dass das Prüfgerät keine potenzielle Entzündungsquelle darstellt und für das Kältemittel geeignet ist. Die Leckerkennungseinrichtung muss auf einen Prozentsatz der unteren Zündgrenze (LFL) des Kältemittels eingestellt werden und auf das verwendete Kältemittel kalibriert werden, und der angemessene Prozentsatz von Gas (maximal 25%) wird bestätigt. Die Leckerkennungsflüssigkeiten sind für die Verwendung mit den meisten Kältemitteln geeignet, aber die Verwendung von Reinigungsmitteln, die Chlor enthalten, sollte gemieden werden, denn Chlor kann mit dem Kältemittel reagieren und die Kupferrohre korrodieren. Wenn Leckverdacht besteht, müssen alle offenen Flammen entweder entfernt oder gelöscht werden. Wenn eine Kältemittelleckage festgestellt wird, für die Lötungen notwendig ist, muss alles Kältemittel aus dem System entfernt oder (durch Ventileschließen) in einem Teil des Systems, das von der Leckstelle entfernt ist, isoliert werden. Dann soll sauerstofffreier Stickstoff (OFN) durch das System sowohl vor als auch während des Lötens gespült werden.

7.15 ENTFERNUNG UND LEEREN

Wenn in den Kältemittelkreislauf für Reparaturen oder zu jedem anderen Zweck eingegriffen wird, müssen konventionelle Verfahren angewandt werden. Es ist jedoch wichtig, dass die bewährten Methoden angewandt werden, denn die Möglichkeit der Entflammbarkeit muss in Betracht gezogen werden. Folgendes Verfahren soll eingehalten werden:

- kältemittel entfernen;
- den Kreislauf mit Schutzgas reinigen;
- leeren;
- nochmals mit Schutzgas reinigen;
- den Kreislauf durch Schneiden oder Lötten öffnen.

Das eingefüllte Kältemittel muss in die richtigen Behälter geleert werden. Das System muss mit OFN durchgespült werden, damit die Anlage sicher ist. Dieser Prozess kann mehrmals wiederholt werden müssen.

Zu diesem Zweck dürfen keine Druckluft oder komprimierter Sauerstoff verwendet werden.

Das Durchspülen wird dadurch erreicht, dass das Vakuum im System mit OFN gebrochen wird und das Füllen fortgesetzt wird, bis der Betriebsdruck erreicht ist, dann in die Luft entlassen wird und schließlich wieder das Vakuum erreicht wird. Dieser Prozess soll so oft wiederholt werden, bis es im System kein Kältemittel mehr gibt. Beim letzten OFN-Füllen muss das System wieder den Luftdruck erreichen, damit Arbeiten stattfinden können. Dieses Verfahren ist von entscheidender Bedeutung, wenn Lötarbeiten an der Verrohrung vorgenommen werden sollen. Stellen Sie sicher, dass der Pumpenausgang sich nicht in der Nähe von Entzündungsquellen befindet und dass die Ventilation ausreichend ist.

7.16 FÜLLVERFAHREN

Zusätzlich zu den konventionellen Füllverfahren sollen folgende Anforderungen erfüllt werden:

- Stellen Sie sicher, dass bei der Verwendung der Fülleinrichtung nicht zu einer Verunreinigung aufgrund von Vermischung verschiedener Kältemittel kommt. Schläuche oder Leitungen müssen so kurz wie möglich sein, damit die Menge des darin enthaltenen Kältemittels minimiert wird.
- Die Behälter sollen senkrecht bleiben.
- Stellen Sie sicher, dass das Kühlsystem geerdet ist, bevor Sie Kältemittel in das System einfüllen.
- Das System soll nach Ende des Füllens gekennzeichnet werden (wenn das noch nicht der Fall ist).
- Es muss besonders darauf geachtet werden, dass das Kühlsystem nicht überfüllt wird.
- Bevor Sie das System wieder füllen, soll der Druck mit OFN geprüft werden. Das System soll nach Beendigung des Füllens, aber vor der Inbetriebnahme, einer Dichtheitsprüfung unterzogen werden. Ein Folgelecktest

7.17 AUSSERBETRIEBSETZUNG

Es ist wichtig, dass der Techniker vor der Durchführung dieses Verfahrens mit der Anlage und all ihren Details vertraut ist. Die sichere Entfernung aller Kältemittel ist eine empfohlene bewährte Praktik. Vor der Erledigung dieser Aufgabe muss eine Probe von Öl und Kältemittel entnommen werden.

Falls eine Analyse vor der Wiederverwendung eines rückgewonnenen Kältemittels nötig ist. Es ist wichtig, dass elektrischer Strom zur Verfügung steht, bevor mit der Erledigung dieser Aufgabe begonnen wird.

- a) Machen Sie sich mit der Anlage und ihrer Funktion vertraut.
- b) Sorgen Sie für die elektrische Isolierung des Systems.
- c) Bevor Sie mit dem Verfahren beginnen, stellen Sie sicher, dass:
 - mechanische Fördervorrichtungen zur Verfügung stehen, für den Fall, dass Kältemittelbehälter transportiert werden sollen;
 - die erforderliche persönliche Schutzausrüstung vorhanden ist und ordnungsgemäß verwendet wird;
 - der Rückgewinnungsprozess immer von einer kompetenten Person beaufsichtigt wird;
 - die Rückgewinnungsausrüstung den angemessenen Normen entspricht.
- d) Wenn möglich, saugen Sie das Kältemittelsystem ab.
- e) Wenn es unmöglich ist, ein Vakuum zu erreichen, verwenden Sie ein Sammelrohr, damit das Kältemittel aus den verschiedenen Teilen des Systems entfernt werden kann.
- f) Stellen Sie sicher, dass der Behälter vor der Rückgewinnung auf die Waage gestellt wird.
- g) Starten Sie die Rückgewinnungsanlage gemäß den Anleitungen des Herstellers.
- h) Überfüllen Sie die Behälter nicht. (Nicht mehr als 80% des Flüssigkeitsvolumens einfüllen).
- i) Der Betriebsdruck des Behälters darf nicht auch nur zeitweise überschritten werden.
- j) Wenn die Behälter korrekt gefüllt worden sind und das Verfahren beendet ist, stellen Sie sicher, dass die Behälter und die Ausrüstung sofort von der Stelle entfernt werden und alle Absperrventile der Ausrüstung geschlossen sind.
- k) Das rückgewonnene Kältemittel darf nicht in ein anderes Kühlsystem gefüllt werden, bevor es gereinigt und geprüft worden ist.

7.18 KENNZEICHNUNG

Die Ausrüstung soll gekennzeichnet werden, damit sichtbar ist, dass sie außer Betrieb gesetzt und dass das Kältemittel geleert worden ist. Das Etikett soll mit Datum und Unterschrift versehen werden. Stellen Sie sicher, dass die Ausrüstung mit Etiketten versehen ist, die bestätigen, dass sie brennbares Kältemittel enthält.

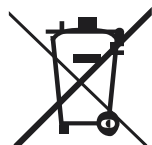
7.19 RÜCKGEWINNUNG

- Wenn Kältemittel aus einem System entweder zur Wartung oder zur Außerbetriebnahme entfernt wird, ist die empfohlene bewährte Praktik, das ganze Kältemittel sicher auszuleeren.
- Wenn Kältemittel in Behälter geleert wird, stellen Sie sicher, dass nur für Kältemittelrückgewinnung geeignete Behälter verwendet werden. Stellen Sie sicher, dass die richtige Anzahl von Behältern für die Gesamtmenge des Kältemittels des Systems vorhanden ist. Alle zu verwendeten Behälter müssen für das rückgewonnene Kältemittel bestimmt und gekennzeichnet sein (d.h., spezielle Behälter für die Rückgewinnung von Kältemittel). Zu den Behältern muss es auch ein Druckbegrenzungsventil und dazugehörige Absperrklappen in gutem Betriebszustand geben.
- Die leeren Rückgewinnungsbehälter müssen vor der Rückgewinnung abgesaugt und, wenn möglich, gekühlt werden.
- Die Rückgewinnungsausrüstung muss funktionsfähig sein und von Anweisungen zu ihrer Anwendung begleitet sein, und sie muss für die Rückgewinnung von brennbaren Kältemitteln geeignet sein. Zusätzlich muss eine Reihe von kalibrierten Waagen zur Verfügung stehen, die in gutem Betriebszustand sind.
- Zu den Schläuchen muss es eine dichte Verschlusskupplung geben und sie müssen in gutem Betriebszustand sein. Vor der Benutzung der Rückgewinnungsanlage stellen Sie sicher, dass sie sich in einem zufriedenstellenden Betriebszustand befindet, dass sie ordnungsgemäß gewartet ist und dass alle dazugehörigen elektrischen Komponenten abgedichtet sind, damit es im Fall von Kältemittelaustritt keine Entzündung gibt. Im Zweifelsfall fragen Sie Ihren Hersteller um Rat.
- Das rückgewonnene Kältemittel muss an den Kältemittellieferanten im vorschriftsmäßigen Behälter zurückgeschickt werden und der entsprechende Entsorgungsnachweis muss angeordnet werden. Vermischen Sie keine Kältemittel in Rückgewinnungseinheiten und besonders nicht in Behältern.
- Wenn Verdichter oder Verdichteröl entfernt werden soll, stellen Sie sicher, dass sie ausreichend abgesaugt worden sind, um zu gewährleisten, dass es im Schmiermittel keine Reste von brennbarem Kältemittel gibt. Das Absaugverfahren muss vor der Rückgabe des Verdichters an die Lieferanten erfolgen. Um dieses Verfahren zu beschleunigen darf nur elektrische Heizung des Verdichterkörpers verwendet werden. Wenn Öl aus einem System entfernt werden soll, muss das vorsichtig geschehen.

7.20 BEFÖRDERUNG, KENNZEICHNUNG UND LAGERUNG VON EINHEITEN

1. Beförderung von Ausrüstung, die brennbare Kältemittel enthält
Einhaltung der Transportbestimmungen
2. Kennzeichnung der Ausrüstung mit Zeichen
Einhaltung von lokalen Bestimmungen
3. Entsorgung von Ausrüstung, die brennbare Kältemittel verwendet
Einhaltung der nationalen Bestimmungen
4. Lagerung von Ausrüstung/Geräten
Die Lagerung von Ausrüstungen soll gemäß den Anleitungen des Herstellers erfolgen.
5. Lagerung von verpackter (nicht verkaufter) Ausrüstung
Der Schutz der Lagerungsverpackung soll gewährleisten, dass mechanische Schäden der verpackten Ausrüstung keine Leckage des eingefüllten Kältemittels zur Folge hat.
Die maximale Anzahl von Ausrüstungsteilen, die zusammen gelagert werden dürfen, wird durch die lokalen Bestimmungen festgesetzt.

Se ha determinado que este producto cumple la Directiva de Baja Tensión (2014/35/UE) y la Directiva de Compatibilidad Electromagnética (2014/30/UE) de la Unión Europea.



Eliminación correcta de este producto (Residuos de aparatos eléctricos y electrónicos)

(Cuando se usa este aparato de aire acondicionado en los países europeos, hay que seguir estas normas)

- La presencia de este marcado en el producto o en la documentación indica que los aparatos eléctricos y electrónicos (RAEE, tal como se indica en la directiva 2012/19/UE) no deben mezclarse con los desechos domésticos. Para su eliminación hay varias posibilidades:
- 1. El municipio ha establecido sistemas de recogida en los que se pueden desechar los residuos electrónicos de forma gratuita para el usuario.
- 2. En la compra de un nuevo producto, el minorista recogerá el producto usado de forma gratuita como mínimo.
- 3. El fabricante recogerá el aparato para su eliminación de forma gratuita para el usuario como mínimo.
- 4. Dado que los productos usados contienen recursos valiosos, se pueden vender a comerciantes de chatarra de metal. Tirar de forma incontrolada residuos en bosques y en el campo pone en peligro la salud de las personas cuando las sustancias peligrosas se filtran a las aguas subterráneas y de esta forma llegan a la cadena alimentaria.

Este producto contiene gases fluorados regulados por el Protocolo de Kyoto

Nombre químico del gas	R32
Potencial de calentamiento global (GWP) del gas	675

⚠ PRECAUCIÓN

- | | |
|---|---|
| <ol style="list-style-type: none"> 1. Pegue la etiqueta del refrigerante incluido junto al lugar de la carga y/o recuperación. 2. Escriba claramente la cantidad de refrigerante cargado en la etiqueta del refrigerante con tinta indeleble. 3. Evite la emisión al medio ambiente del gas fluorado contenido. Asegúrese de que el gas fluorado nunca se ventila a la atmósfera durante la instalación, mantenimiento o eliminación de la unidad. Cuando se detecte alguna fuga del gas fluorado contenido, hay que detener la fuga y repararla lo antes posible. | <ol style="list-style-type: none"> 4. El mantenimiento y reparación de este producto solo puede realizarlo personal de mantenimiento cualificado. 5. Cualquier manipulación de los gases fluorados de este producto, por ejemplo, al trasladar el producto o al recargar el gas, deberá cumplir el Reglamento CE N° 517/2014 sobre determinados gases fluorados de efecto invernadero y las leyes locales. 6. Si el sistema tiene instalado un sistema de detección de fugas, se debe verificar que no haya fugas al menos cada 12 meses 7. Cuando se comprueba si la unidad tiene fugas, se recomienda encarecidamente mantener un registro adecuado de todas las verificaciones de mantenimiento. |
|---|---|

Unidad interior	Unidad exterior	Tensión nominal y Hz
42QHP09E8S*	38QHP09E8S*	220-240V~, 50Hz
42QHP12E8S*	38QHP12E8S*	

El fabricante se reserva el derecho de cambiar las especificaciones del producto sin previo aviso.

CONTENIDO

1. PREPARACIÓN DE LA INSTALACIÓN	3
1.1 Precauciones de seguridad	3
1.2 Accesorios	5
1.3 Elección del lugar de instalación	6
2. INSTALACIÓN DE LA UNIDAD INTERIOR	7
2.1 Placa de montaje de la unidad interior	7
2.2 Proceso de instalación	8
3. INSTALACIÓN DE LA UNIDAD EXTERIOR	9
3.1 Dimensión de montaje de la unidad exterior	9
3.2 Requisito de espacio para la unidad exterior	9
3.3 Conexión de cables en el exterior	10
3.4 Instalación de la unidad exterior	10
3.5 Instalación de la tubería de desagüe para la unidad exterior	10
4. TUBERÍAS DE REFRIGERACIÓN	11
4.1 Abocardado	11
4.2 Tuberías	11
4.3 Tubería refrigerante	12
4.4 Evacuación de aire	12
4.5 Prueba de fugas	12
5. CABLEADO	13
6. COMPROBACIÓN FINAL Y PRUEBA DE FUNCIONAMIENTO	14
6.1 Lista de comprobación final	14
6.2 Funcionamiento manual	14
6.3 Prueba de funcionamiento	14
7. INFORMACIÓN DE SEGURIDAD	15



Precaución: **Riesgo de fuego solo para refrigerante R32/R290**

1.1 PRECAUCIONES DE SEGURIDAD

- La instalación, puesta en marcha y mantenimiento de equipos de aire acondicionado puede ser peligrosa debido a las presiones del sistema, componentes eléctricos y ubicación de los equipos (techos, estructuras elevadas, etc.).
- La instalación, puesta en marcha y mantenimiento de este equipo solo debe ser realizada por instaladores y mecánicos de mantenimiento cualificados y con la debida formación.
- Cuando trabaje en el equipo, tenga presentes las precauciones indicadas en los manuales y en las etiquetas y pegatinas adheridas al mismo.
- Siga todos los códigos de seguridad. Use gafas de seguridad y guantes de trabajo. Tenga a mano tela de extinción de incendios y un extintor cuando realice soldaduras. Tenga cuidado en el manejo, manipulación y colocación de equipos voluminosos.
- Lea estas instrucciones cuidadosamente y siga todas las advertencias o precauciones incluidas en el manual y pegadas a la unidad. Consulte las normas de construcción locales y el Código Eléctrico Nacional para saber si hay requisitos especiales.

! ADVERTENCIA

Este símbolo indica la posibilidad de daños personales o incluso la muerte.

- **El gas refrigerante es más pesado que el aire y reemplaza al oxígeno. Una fuga masiva podría conducir a la falta de oxígeno, especialmente en los sótanos, y podría suponer un peligro de asfixia con lesiones graves o la muerte.**
- **Cuando el aire acondicionado se instala en un espacio pequeño, realice las mediciones necesarias para asegurarse de que la fuga de refrigerante producida en el lugar no supere el nivel crítico.**
- **Si hay fugas de gas refrigerante durante la instalación, ventile el área inmediatamente.**
El gas refrigerante puede producir un gas tóxico si entra en contacto con el fuego, por ejemplo un calefactor, estufa o cocina. La exposición a este gas podría causar lesiones graves o la muerte.
- **Desconecte de la fuente de alimentación antes de realizar cualquier trabajo eléctrico. Conecte el cable de conexión correctamente.**
Una conexión errónea puede dañar los componentes eléctricos.
- **Utilice los cables especificados para las conexiones eléctricas y conecte los cables firmemente en el bloque de terminales, conectando las secciones de modo que no se ejerza fuerza externa en el terminal.**
- **Asegúrese de proporcionar toma a tierra.**
No conecte las unidades a conductos de gas, tuberías de agua o cables telefónicos. Una toma de tierra incompleta podría causar una descarga eléctrica grave con resultado de lesiones o la muerte.
- **Deseche los materiales de embalaje con seguridad.**
Los materiales de embalaje, como clavos y otras piezas de metal o de madera, pueden producir heridas y otras lesiones. Desgarre y tire las bolsas de embalaje de plástico para que los niños no jueguen con ellas. Los niños que juegan con bolsas de plástico corren riesgo de asfixia.
- **No instale la unidad cerca de concentraciones de gases combustibles o vapores de gas.**
- **Asegúrese de utilizar las piezas de instalación suministradas o especificadas exactamente.**
El uso de otras piezas puede provocar que la unidad tenga pérdidas, fugas de agua, descargas eléctricas, incendios o daños al equipo.
- **Al instalar o cambiar de lugar el sistema, no permita que el aire o cualquier sustancia que no sea el refrigerante especificado (R410A) entre en el ciclo de refrigeración.**
- **No modifique nunca esta unidad mediante la eliminación de cualquiera de las protecciones de seguridad ni se salte ninguno de los interruptores de seguridad.**
- **El trabajo eléctrico debe llevarse a cabo de acuerdo con el manual de instalación y los códigos de cableado eléctrico nacionales.**

! ADVERTENCIA

- **Asegúrese de utilizar un circuito de alimentación dedicado. No comparta nunca la misma toma de corriente con otros aparatos.**
- **Con el fin de evitar situaciones de peligro debido al reseteo accidental de la protección térmica, la alimentación eléctrica de este aparato no debe realizarse a través de un dispositivo de conmutación externo, como por ejemplo un temporizador, ni debe ir conectado a un circuito que la compañía eléctrica enciende y apaga regularmente.**
- **Utilice los cables con aislamiento previstos para la conexión eléctrica que lleven un revestimiento aislante con la homologación de temperatura adecuada.**
Los cables no compatibles pueden causar descargas eléctricas, producción de calor anómala o incendios.
- **No utilice medios para acelerar el proceso de descongelación o de limpieza distintos de los recomendados por el fabricante.**
- **El aparato se debe almacenar en una habitación sin fuentes de ignición de funcionamiento continuo (por ejemplo: llamas abiertas, aparatos de gas en marcha, calentador eléctrico en marcha)**
- **No perforar ni quemar.**
- **Tenga en cuenta que los refrigerantes pueden ser inodoros.**
- **El aparato se debe almacenar en un lugar bien ventilado y la sala debe tener el tamaño mínimo de la sala que se especifica para la operación.**
- **Para los modelos con refrigerante R32:**
El aparato se deberá instalar, operar y almacenar en una habitación con una superficie mayor de 4 m². El aparato no se debe instalar en un espacio sin ventilación si dicho espacio tiene menos de 4 m².
- **Para los modelos con refrigerante R290, el tamaño mínimo de la sala es:**
Unidades <=9000Btu/h: 13m²
Unidades >9000Btu/h y <=12000Btu/h: 17m²
Unidades >12000Btu/h y <=18000Btu/h: 26m²
Unidades >18000Btu/h y <=24000Btu/h: 35m²

! PRECAUCIÓN

Este símbolo indica la posibilidad de daños a la propiedad o consecuencias graves.

- **Para evitar lesiones personales, tenga cuidado al manejar piezas con bordes afilados.**
- **No instale las unidades interior o exterior en un lugar con condiciones ambientales especiales.**
- **No debe instalarse en un lugar que pueda amplificar el nivel de ruido de la unidad o donde el ruido y aire descargado pueda molestar a los vecinos.**
- **Realice el trabajo de desagüe/tuberías de forma segura siguiendo el manual de instalación.**
Unas tuberías de desagüe incorrectas podrían producir fugas de agua y daños a la propiedad.
- **No instale el aire acondicionado en los siguientes lugares.**
 - Un lugar en el que haya aceite mineral o ácido arsénico.
 - Un lugar en el que se pueda acumular gas corrosivo (por ejemplo, gas de ácido sulfúrico) o gas combustible (por ejemplo, disolvente), o donde se utilicen sustancias volátiles.
 - Un lugar en el que haya equipos que generen campos electromagnéticos o armonía de frecuencia alta.
- **El aparato se debe almacenar de manera que no se puedan producir daños mecánicos.**
- **Toda persona que realice trabajos relacionados con un circuito refrigerante debe tener un certificado válido actual de un organismo de evaluación acreditado por la industria que le autorice a manipular refrigerantes de forma segura, de acuerdo con una especificación de evaluación reconocida por la industria.**

1.2 ACCESORIOS

Con la unidad se proporcionan los siguientes accesorios. El tipo y la cantidad pueden variar en función de las especificaciones.

Nombre de los accesorios	Ctd (piezas)	Forma	Nombre de los accesorios	Ctd (piezas)	Forma
Manual	3		Mando a distancia	1	
Salida de desagüe	1		Pila	2	
Junta	1		Soporte del mando a distancia	1	
Placa de instalación	1		Tornillo B	2	
Taco	5		Filtro pequeño	1	
Tornillo A	5		Anillo magnético (Algunas unidades)	N*	

* según la cantidad real

1.3 ELECCIÓN DEL LUGAR DE INSTALACIÓN

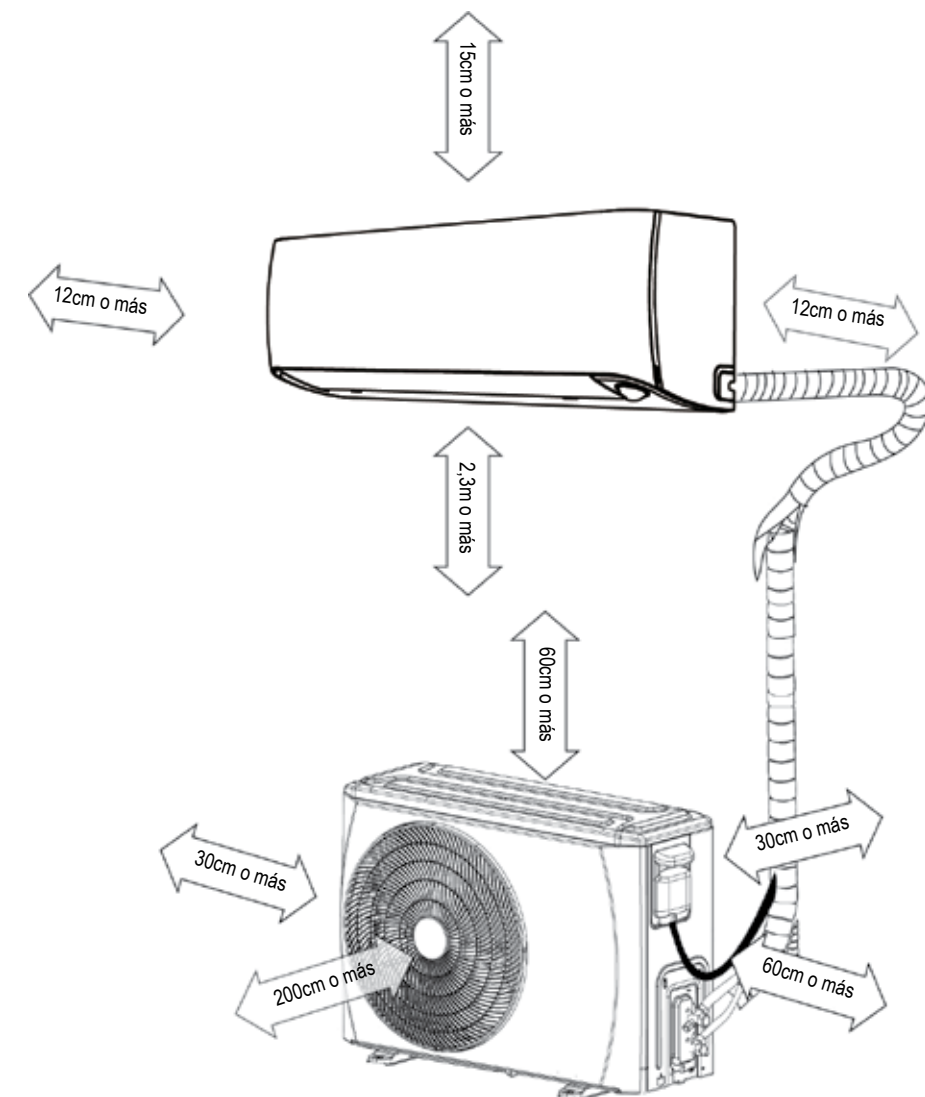
Unidad interior

- Un lugar que pueda soportar el peso de la unidad interior.
- No instale las unidades interiores cerca de una fuente directa de calor, por ejemplo bajo luz solar directa o cerca de un aparato de calefacción.
- Un lugar que tenga espacio libre tal como se muestra en la siguiente figura.
- Los componentes móviles del aparato deben instalarse/colocarse a una altura no inferior a 2,3 m del suelo.

Unidad exterior

- Un lugar que sea conveniente para la instalación y no esté expuesto a vientos fuertes. Si la unidad está expuesta a vientos fuertes se recomienda utilizar un deflector de viento.
- Un lugar que pueda soportar el peso de la unidad exterior y donde la unidad exterior se puede montar horizontalmente.
- Un lugar que tenga espacio libre tal como se muestra en la siguiente figura.

No instale las unidades interior o exterior en un lugar con condiciones ambientales especiales. Confirme que haya suficiente espacio para la instalación y el mantenimiento.



Nota: Asegúrese de dejar el espacio indicado por las flechas respecto a la pared, el techo, la cerca u otros obstáculos.

Las tuberías pueden pasar por detrás, izquierda, detrás izquierda, derecha.

Tape el orificio de desagüe con el tapón de goma suministrado.

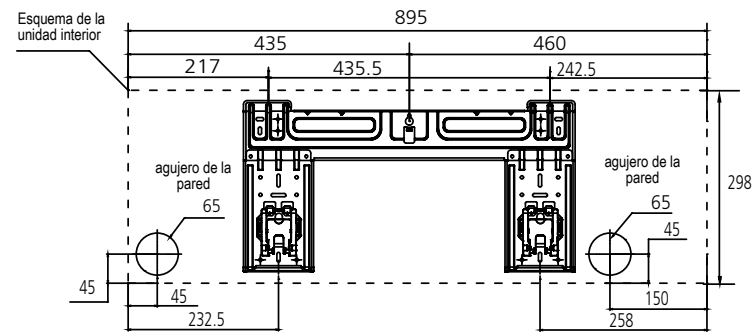
Corte el panel de acuerdo con el tamaño de la tubería.

Corte en el panel

2. INSTALACIÓN DE LA UNIDAD INTERIOR

2. INSTALACIÓN DE LA UNIDAD INTERIOR

2.1 PLACA DE MONTAJE DE LA UNIDAD INTERIOR

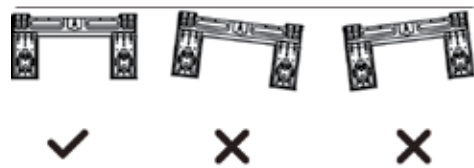


Unidad: mm

Nota: Cuando la tubería de conexión del lado del gas tiene $\varnothing 16$ mm (5/8 pulgadas) o más, el orificio de la tubería debe ser de 90 mm (3,54 pulgadas).

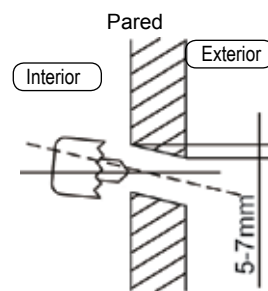
■ Instale la placa de montaje

Fije la placa de montaje horizontalmente en la pared con cinco o más tornillos de tipo A.



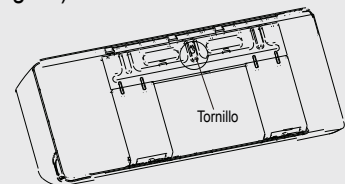
■ Taladre un agujero en la pared

Taladre un agujero de 65 mm o de 90 mm (según el modelo) en la pared inclinado ligeramente hacia el exterior.



Nota:

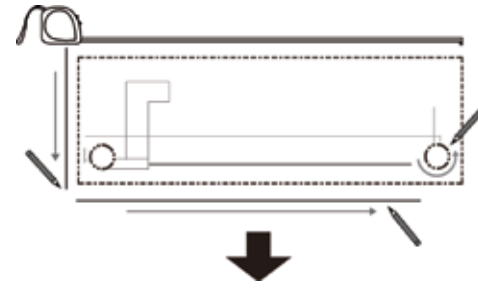
■ La placa de montaje va fijada con un tornillo para facilitar el transporte. Quite el tornillo antes de realizar la instalación. (ver figura)



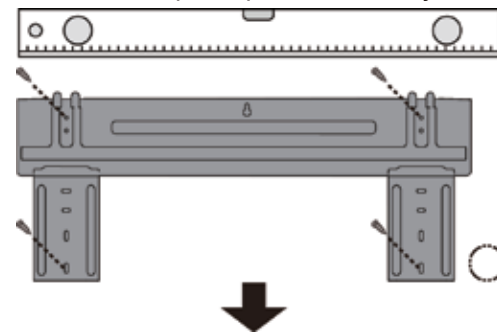
■ La placa de montaje será como una de la figura, dependiendo del tamaño de la unidad. Los orificios para los tacos de fijación deben ser de 5 mm.

2.2 PROCESO DE INSTALACIÓN

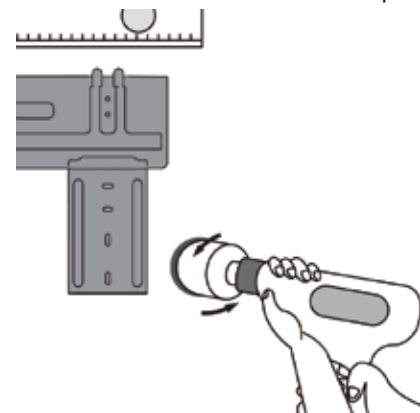
Paso 1: Determine la posición del orificio en la pared



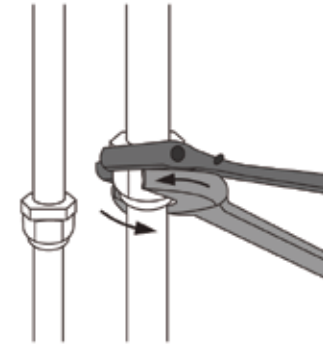
Paso 2: Coloque la placa de montaje



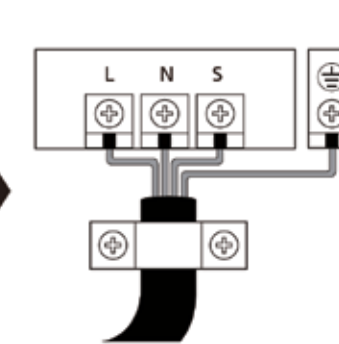
Paso 3: Perfore el orificio en la pared



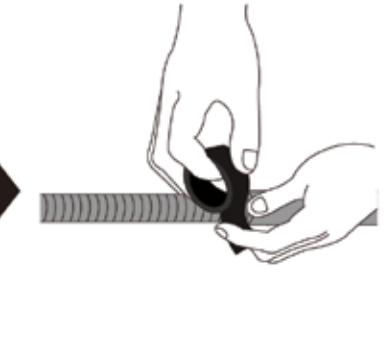
Paso 4: Conecte la tubería



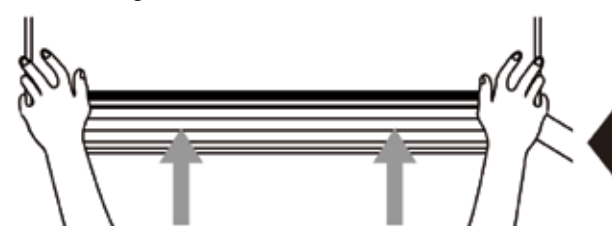
Paso 5: Conecte el cable



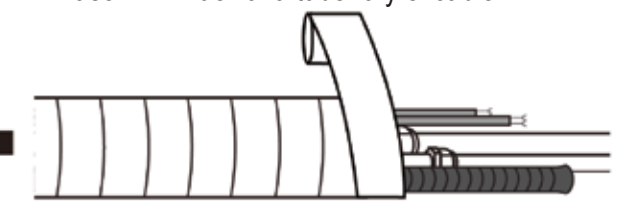
Paso 6: Prepare la manguera de desagüe



Paso 8: Cuelgue la unidad interior

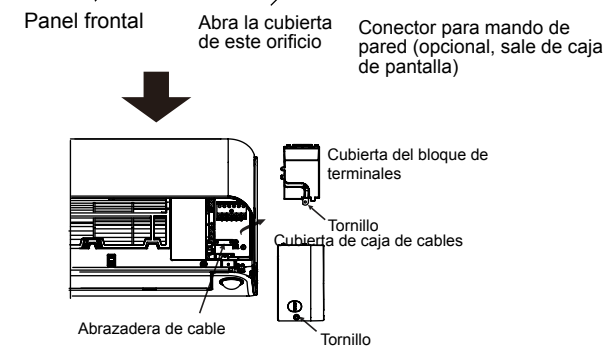
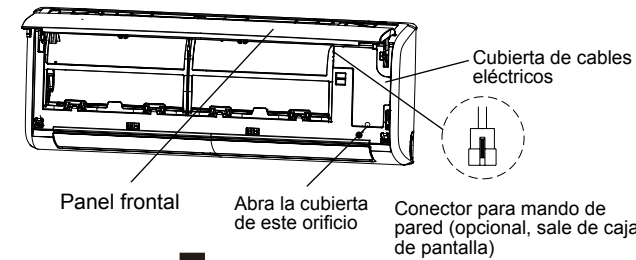


Paso 7: Envuelva la tubería y el cable



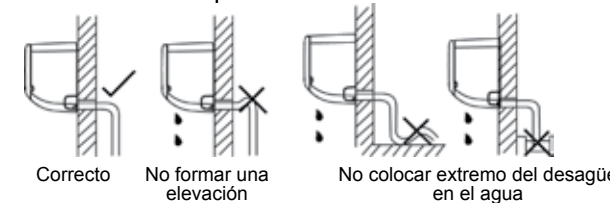
■ Conexión de cables de la unidad interior

1. Levante el panel frontal de la unidad interior.
2. Abra la cubierta de los cables eléctricos de la unidad interior con un destornillador, quite la cubierta de la regleta de terminales con la mano y quite la abrazadera del mazo de cables aflojando los tornillos.
3. Pase los cables de conexión desde la parte posterior de la unidad interior y conéctelos a la regleta de terminales.



■ Desagüe

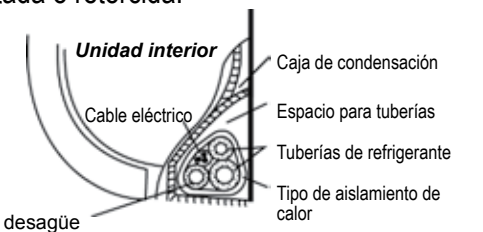
La línea de desagüe no debe tener ningún sifón en toda su longitud, debe lanzar hacia abajo y debe estar aislada hasta la pared exterior.



■ Envuelva la tubería

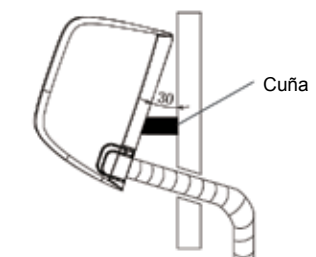
Para ver la orientación correcta de las tuberías de refrigerante, cables eléctricos y tubería de desagüe, consulte la figura abajo:

- Coloque la manguera de desagüe debajo de la tubería de refrigerante.
- Asegúrese de que la manguera de desagüe no queda levantada o retorcida.



■ Cuelgue la unidad interior

1. Pase las tuberías de refrigerante por el agujero en la pared.
2. Cuelgue la unidad interior en el gancho superior de la placa de montaje y empuje la parte inferior de la unidad interior hacia arriba en la pared para sujetarla al gancho inferior.
3. Mueva la unidad interior horizontalmente y verticalmente para comprobar que está bien sujeta.



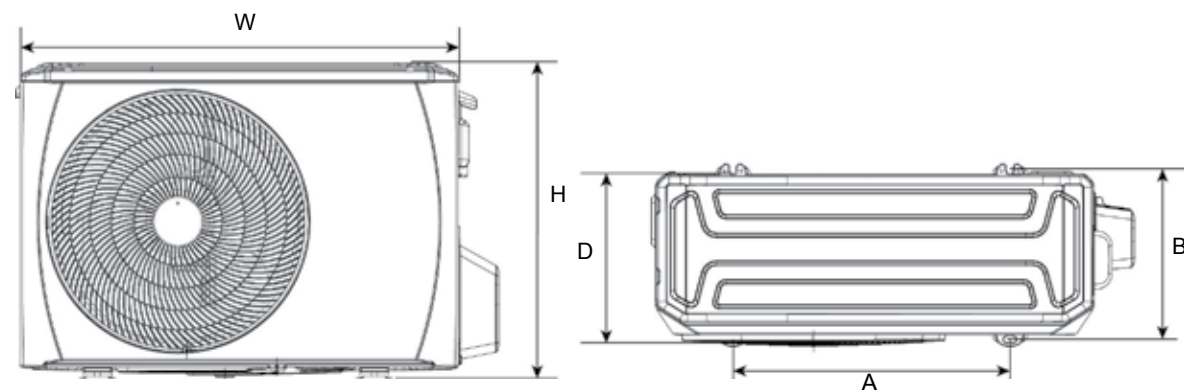
⚠ PRECAUCIÓN

- Las piezas de conexión del tubo conector deben situarse fuera de la sala.

3. INSTALACIÓN DE LA UNIDAD EXTERIOR

3.1 DIMENSIÓN DE MONTAJE DE LA UNIDAD EXTERIOR

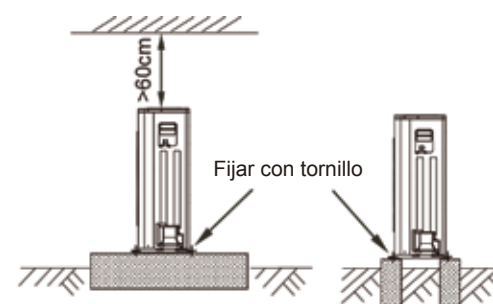
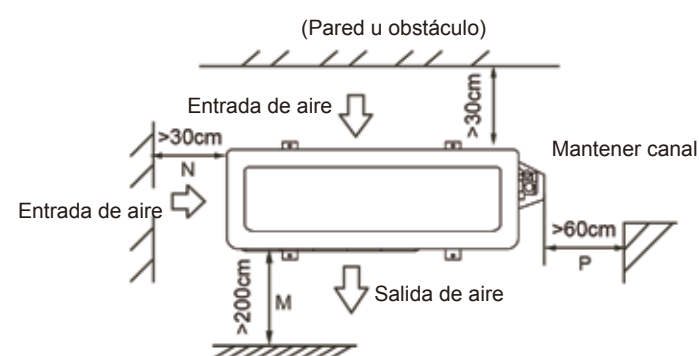
Las dimensiones de montaje de las diferentes unidades exteriores varían. El diámetro de la cabeza del tornillo de fijación debe ser mayor de 12mm.



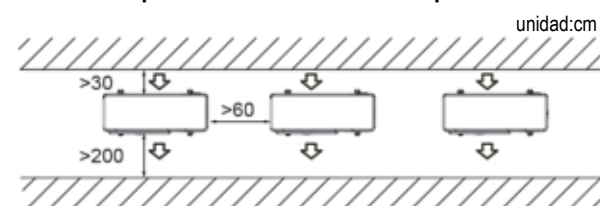
Dimensiones unidad exterior (mm)			Dimensiones de montaje (mm)		
Unidad exterior	W	H	D	A	B
38QHP09E8S	800	554	333	515	340
38QHP12E8S					

3.2 REQUISITOS DE ESPACIO PARA LA UNIDAD EXTERIOR

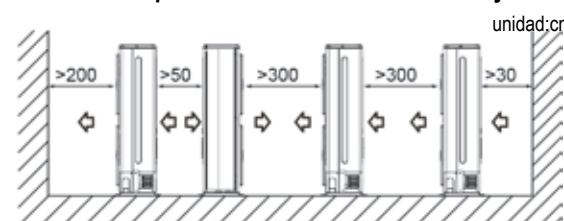
Instalación de la unidad individual



Conecte en paralelo las dos unidades o por encima



Conexión en paralelo de los lados delanteros y traseros



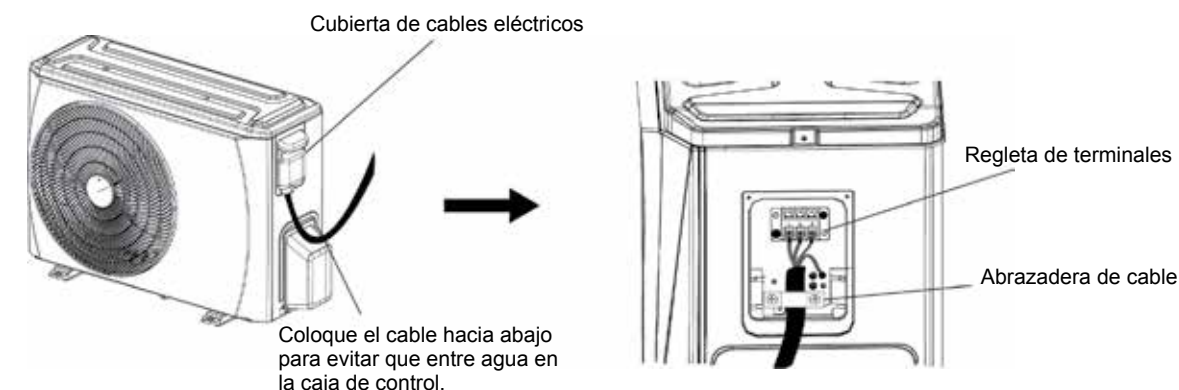
PRECAUCIÓN

- En regiones expuestas a nevadas y temperaturas frías, evite la instalación de la unidad exterior en zonas que puedan quedar cubiertas por la nieve. Si se esperan fuertes nevadas, deberá instalarse un pedestal para hielo o nieve (no incluido) y/o un deflector de viento (no incluido) para proteger la unidad contra la acumulación de nieve y/o contra la obturación de la toma de aire.

3. INSTALACIÓN DE LA UNIDAD EXTERIOR

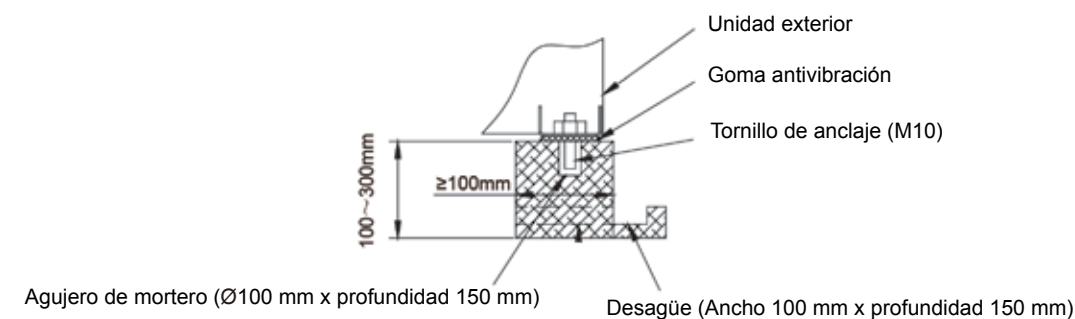
3.3 CONEXIÓN DE CABLES EN EL EXTERIOR

- Retire la cubierta de los cables eléctricos y la abrazadera de cables aflojando los tornillos.
- Conecte los cables a la regleta de terminales exterior en la misma secuencia que la unidad interior.



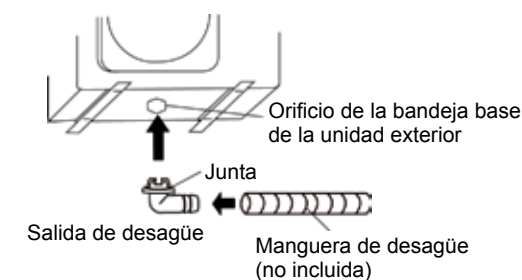
3.4 INSTALACIÓN DE LA UNIDAD EXTERIOR

- Antes de la instalación, compruebe la fortaleza y la horizontalidad de la base para que no se genere un sonido anormal.
- Fije la base firmemente a los tornillos de anclaje (M10) para evitar que se desplome.
- Instale la base y las gomas antivibración para que soporten directamente la superficie inferior de la pata de fijación que está en contacto con la placa inferior de la unidad exterior.



3.5 INSTALACIÓN DE LA TUBERÍA DE DESAGÜE PARA LA UNIDAD EXTERIOR

- Conecte la salida de desagüe a una manguera adecuada
- Coloque la junta en la salida de desagüe.
- Inserte la salida de desagüe en el orificio de la bandeja base de la unidad exterior y gírela 90 grados para fijarla de forma segura.



4. TUBERÍAS DE REFRIGERANTE

PRECAUCIÓN

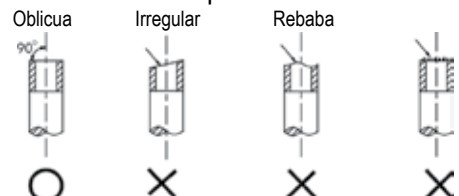
- Compruebe si la diferencia de altura entre la unidad interior y exterior y la longitud total de la tubería refrigerante satisface los requisitos del sistema.
- Las tuberías de refrigeración siguen la instalación de la unidad interior y exterior, conectando primero la tubería del lado interior y luego las del lado exterior.
- Mantenga siempre los extremos de las tuberías sellados colocando un tapón o cubriéndolos con cinta durante la instalación; NO los quite hasta que esté listo para conectar las tuberías.
- Asegúrese de aislar las tuberías en todo su recorrido hasta la conexión de tuberías del interior de la unidad. Toda tubería expuesta puede producir condensación o quemaduras si se toca.
- Cuando la unidad exterior esté en la posición superior y la diferencia de nivel sea de más de 10 m., se recomienda realizar una curva de retorno de aceite cada 5~8 m en la tubería del gas. El radio de la curva de retorno de aceite debe ser mayor que 10 cm.

4.1 ABOCARDADO

NOTA

- Las herramientas necesarias para abocardar son un corta-tuberías, una fresa, una herramienta de abocardado y un sujeta-tuberías.
- Para los modelos de refrigerante R32, los puntos de conexión de la tubería deben colocarse fuera de la habitación.

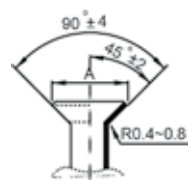
4.1.1 Utilice un corta-tuberías para cortar la tubería a la longitud adecuada. Asegúrese de que el borde del corte esté a 90° respecto al lateral de la tubería.



4.1.2 Utilice una fresa para eliminar las rebabas con la superficie de corte hacia abajo para que las virutas no entren en la tubería.

4.1.3 Realice el abocardado usando las herramientas de abocardado tal como se indica a continuación.

Diámetro exterior	A (mm)	
	Máx.	Mín.
Ø 6,35 mm	8,7	8,3
Ø 9,52 mm	12,4	12,0
Ø 12,7 mm	15,8	15,4
Ø 15,88 mm	19,0	18,6
Ø 19,05 mm	23,3	22,9



4.1.4 Compruebe si el abocardado se ha realizado correctamente. Consulte a continuación los ejemplos de tuberías incorrectamente abocardadas.

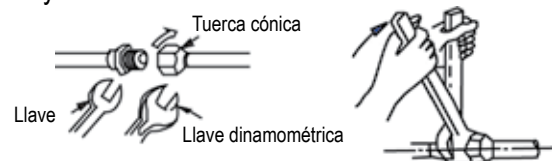


PRECAUCIÓN

- En caso de necesitar realizar soldaduras, trabaje con soplado de gas nitrógeno.
- Un par de torsión incorrecto producirá daños de abocardado o fugas de gas.

4.2 TUBERÍAS

4.2.1 Alinee el centro para apretar la tuerca cónica y termine la conexión usando dos llaves.



Tamaño de tubería	Par de torsión
Ø 6,35 mm	18 ~ 20 N.m
Ø 9,52 mm	25 ~ 26 N.m
Ø 12,7 mm	35 ~ 36 N.m
Ø 15,88 mm	45 ~ 47 N.m
Ø 19,05 mm	65 ~ 67 N.m

4.2.2 Seleccione el material de aislamiento adecuado para la tubería de refrigerante. (Aislamiento térmico de espuma de 10 mm como mínimo, C)

- Utilice tuberías de aislamiento térmico independientes para el gas y el líquido.
- El grosor anterior es un estándar para una temperatura interior de 27°C y una humedad del 80%. Si la instalación se realiza en condiciones desfavorables como, por ejemplo, en baños, cocinas u otras ubicaciones similares, refuerce el aislamiento.
- El aislamiento debe resistir temperaturas de más de 120°C.
- Coloque los adhesivos en el componente de conexión de aislamiento para evitar que entre humedad.
- Repare y cubra las posibles grietas del aislamiento y compruebe especialmente la parte doblada o el colgador de la tubería.

4. TUBERÍAS DE REFRIGERANTE

4.3 TUBERÍA DE REFRIGERANTE

Nota: El refrigerante debe cargarse desde el puerto de servicio en la válvula de baja presión de la unidad exterior.

	Longitud mínima para reducir vibraciones y ruidos anormales	Longitud sin carga	Carga adicional por metro	
			Lado del líquido: Ø6,35 mm	Lado del líquido: Ø9,52 mm
R32*	3m	5m	12g	24g

* Utilice herramientas para el sistema R32.

NOTA

- La ampliación de la longitud de la tubería afectará a la capacidad y la eficiencia energética de la unidad.
- La eficiencia nominal se prueba con un tubo de 5 metros de longitud.
- Cuando la longitud de tubería es mayor de 5 m, debe añadirse refrigerante adicional debe añadirse en función de la longitud de la tubería.

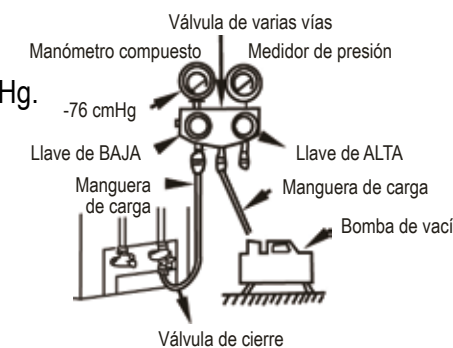
Abajo se muestra la longitud máxima recomendada de la tubería.

Modelos	R32 Inverter	
	Longitud máx. tubería (m)	Diferencia de altura máx. (m)
9K/12K	25	10

* Utilice herramientas para el sistema R32.

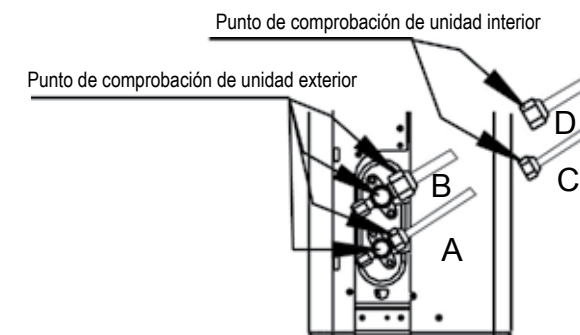
4.4 EVACUACIÓN DE AIRE

- Conecte la manguera de carga desde el manómetro a la boca de servicio de la válvula del lado del gas.
- Conecte la manguera de carga a la boca de la bomba de vacío.
- Abra completamente la llave del manómetro BAJA.
- Accione la bomba de vacío para evacuar el aire del sistema hasta 76 cmHg.
- Cierre completamente la llave del manómetro BAJA.
- Abra completamente la espiga de la válvula de las válvulas de cierre.
- Retire la manguera de carga de la boca de servicio.
- Fije y apriete los tapones de la válvula cierre.



4.5 PRUEBA DE FUGAS

Una vez finalizado el trabajo de tuberías, asegúrese de comprobar el componente de conexión de cada tubería refrigerante y confirme que no haya fugas de gas aplicando agua jabonosa a ellas o utilizando un detector de fugas específico para refrigerantes HFC. Consulte la siguiente imagen para obtener una ilustración.



A: Válvula de detención de presión baja
B: Válvula de detención de presión alta
C & D: Tuercas cónicas de la unidad interior

PRECAUCIÓN

- Todas las conexiones eléctricas deben ser realizadas por instaladores cualificados y todos los cables deben conectarse siguiendo el diagrama de cableado.
- Realice la conexión a tierra antes de cualquier otra conexión eléctrica.
- Todas las fuentes de alimentación eléctrica deben estar apagadas antes de iniciar el trabajo de cableado y no debe encender la alimentación hasta que esté seguro de que todos los cables se hayan comprobado de forma segura.
- Hay que instalar un interruptor principal y un disyuntor o fusible con una capacidad superior a 1,5 veces la intensidad máxima del circuito.
- Para este aparato debe haber un circuito derivado individual y un único enchufe.
- El diámetro del conductor está en función de la intensidad nominal y del código de cableado eléctrico nacional. Consulte las normas de construcción locales y el Código Eléctrico Nacional para saber si hay requisitos especiales.
- Si el cable de alimentación está dañado, debe ser reemplazado por el fabricante, el agente de mantenimiento o por personal cualificado con el fin de evitar situaciones de peligro.
- La unidad debe estar conectada a la fuente de alimentación principal por medio de un disyuntor o un interruptor con una separación de al menos 3 mm entre todos los polos de contacto. Se aconseja la instalación de un interruptor diferencial (ID) con una corriente residual de funcionamiento que no exceda de 30 mA.
- Este aparato incorpora una conexión de toma de tierra solo para fines funcionales.

Corriente nominal de cada modelo

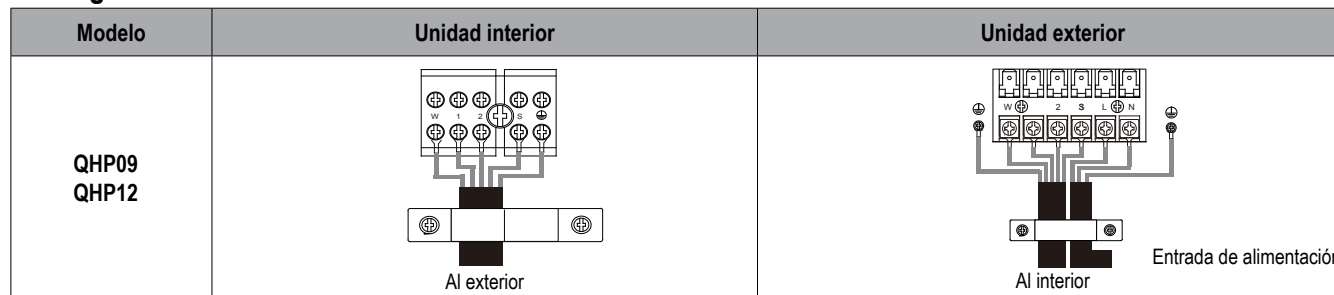
Modelo	Corriente nominal (A)	Clasificación de los fusibles (A)	Cable de entrada de alimentación eléctrica (con sección mínima)	Cable de conexión (con sección mínima)
38QHP09E8S	10,0	16	3*1,5 mm ²	5*1,5 mm ²
38QHP12E8S	13,0	20	3*1,5 mm ²	5*1,5 mm ²

AVISO:

1. Todos los cables de alimentación deben dimensionarse de acuerdo con el código de cableado eléctrico nacional. Consulte las normas de construcción locales y el Código Eléctrico Nacional para saber si hay normas especiales.
2. El cable de alimentación de la unidad exterior debe ser del tipo H07RN-F.
3. La corriente nominal del aparato figura en la placa de identificación.
4. La especificación del fusible de la unidad exterior es T20A/250 VCA (aplicable solo a unidades de refrigerante R32) Nota: El fusible es de material cerámico.

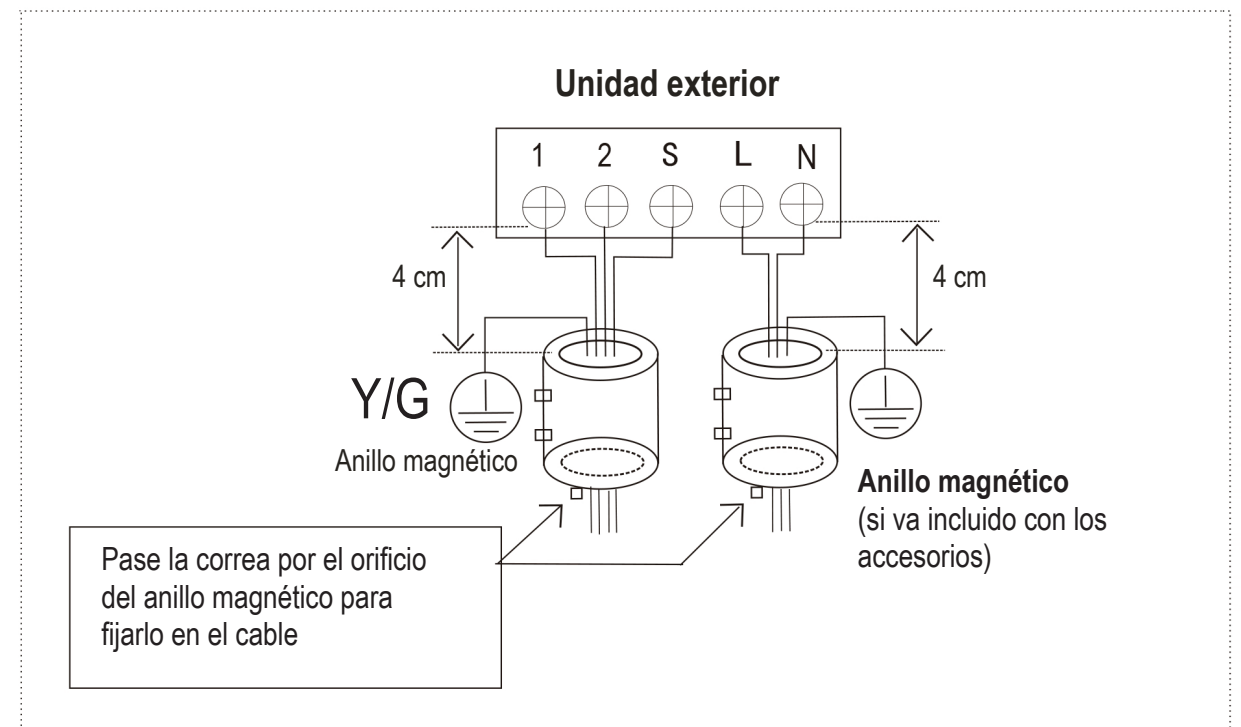
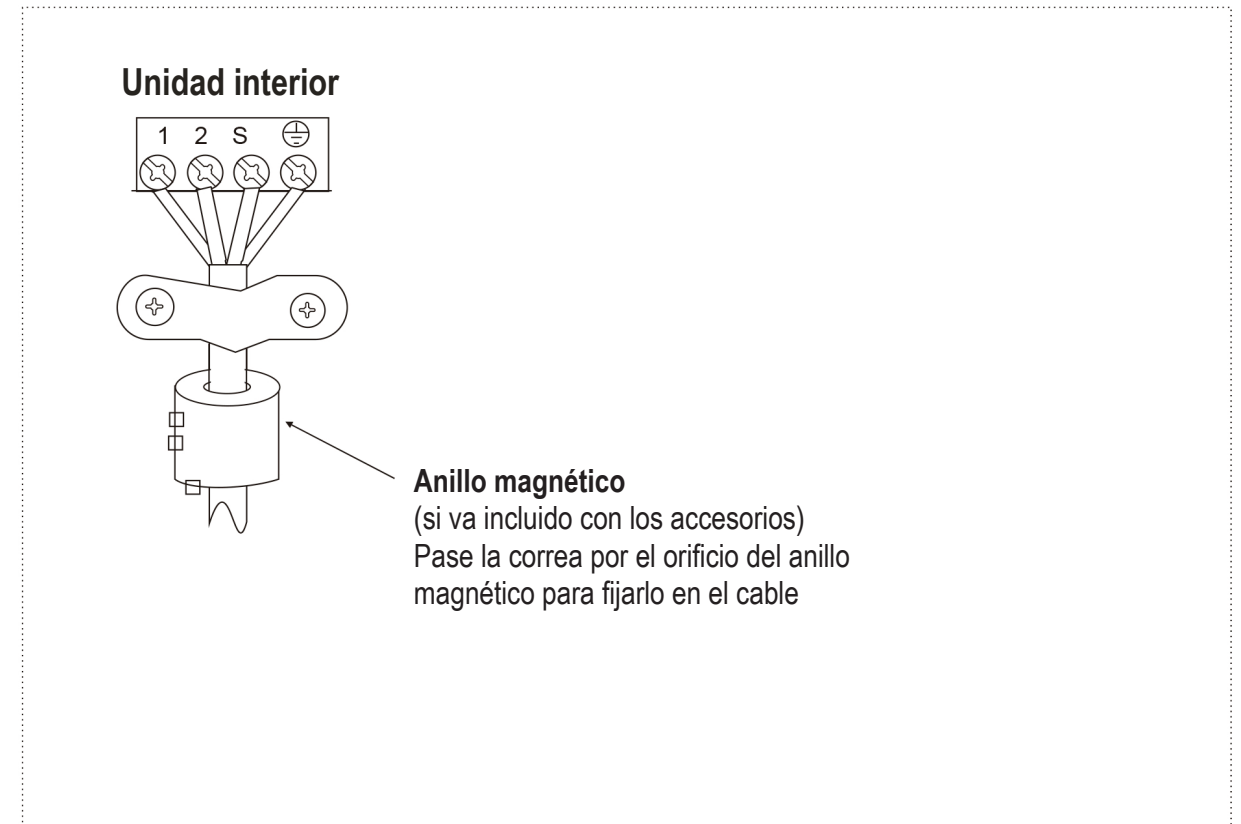


Diagrama de conexiones



Instalación del anillo magnético

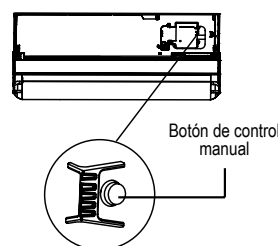
Nota: La regleta de terminales puede ser distinta según los modelos.



6.1 LISTA DE COMPROBACIÓN FINAL

Para completar la instalación, realice las siguientes comprobaciones antes de la prueba de funcionamiento.

- Resistencia del lugar de la instalación tanto por el lado interior como exterior, confirme que no haya obstrucción de la salida de aire de la unidad ni retorno.
- Tensión de la conexión de tuberías refrigerantes y confirmación de que no hay fugas
- Las conexiones de cableado eléctrico están perfectamente acabadas y la unidad se ha conectado a tierra
- Compruebe la longitud total de las tuberías y registre el volumen del refrigerante cargado adicional
- La fuente de alimentación debe cumplir con la tensión nominal del aire acondicionado
- Aislamiento de la tubería
- Drenaje



6.2 FUNCIONAMIENTO MANUAL

Puede acceder al funcionamiento manual pulsando el botón Manual

Pulse el botón manual varias veces para cambiar los modos de la siguiente manera:

- Una vez = modo AUTO [calor, refrigeración o ventilador a 24 °C y ventilador en velocidad automática].
- Dos veces = modo de refrigeración [cambia al modo AUTO después de 30 minutos (se utiliza principalmente para prueba de funcionamiento)]
- Tres veces = APAGADO

6.3 PRUEBA DE FUNCIONAMIENTO

Configure el aire acondicionado en el modo COOLING (REFRIGERACIÓN) con el mando a distancia (o el botón Manual) y compruebe el estado "en funcionamiento" tanto en la unidad interior como en la unidad exterior. En caso de que funcione incorrectamente, resuélvalo de acuerdo al capítulo "Solución de problemas" en el "Manual de reparación".

Unidad interior

- Si los botones (por ejemplo, ON/OFF, MODE, TEMPERATURE, FAN SPEED etc.) del mando a distancia funcionan bien.
- Si la louver se mueve con normalidad.
- Si la temperatura ambiente está bien ajustada.
- Si los indicadores luminosos del panel de visualización son normales.
- Si el botón "manual" funciona bien.
- Si el desagüe es normal.
- Si hay un ruido anormal o una vibración durante el funcionamiento.
- Si la unidad interna funciona bien en los modos COOLING (FRÍO) o HEATING (CALOR).

Unidad exterior

- Si hay un ruido anormal o una vibración durante el funcionamiento.
- Si el flujo de aire, el ruido o el agua de la condensación generada por el aire acondicionado no molestan a sus vecinos.
- Si hay alguna fuga de refrigerante.

PRECAUCIÓN

- Al reiniciar la unidad, habrá un retardo de protección de aproximadamente 3 minutos para la puesta en marcha del compresor.

7.1 COMPROBACIONES EN EL ÁREA

Antes de comenzar a trabajar en sistemas que contienen refrigerantes inflamables, hay que realizar comprobaciones de seguridad para garantizar que el riesgo de ignición se reduce al mínimo. En la reparación del sistema de refrigeración, hay que cumplir las siguientes precauciones antes de realizar trabajos en el sistema.

7.2 PROCEDIMIENTO DE TRABAJO

Los trabajos se realizarán siguiendo un procedimiento controlado con el fin de minimizar el riesgo de presencia de gas o vapor inflamable mientras se está realizando el trabajo.

7.3 ÁREA DE TRABAJO GENERAL

Todo el personal de mantenimiento y otras personas que trabajen en el área deben haber recibido formación sobre la naturaleza del trabajo que se realiza. Debe evitarse trabajar en espacios confinados. El área alrededor de la zona de trabajo debe delimitarse. Asegúrese de que las condiciones dentro de la zona de seguridad son seguras mediante el control del material inflamable.

7.4 COMPROBACIÓN DE PRESENCIA DE REFRIGERANTE

El área deberá comprobarse con un detector de refrigerante adecuado antes y durante el trabajo, para asegurarse de que el técnico sepa si hay atmósferas potencialmente inflamables. Asegúrese de que el equipo de detección de fugas que se utiliza es adecuado para su uso con refrigerantes inflamables, es decir, sin chispas, debidamente sellado o de seguridad intrínseca.

7.5 PRESENCIA DE UN EXTINTOR

Si se va a realizar algún trabajo que requiera la aplicación de calor en el equipo de refrigeración o en los componentes asociados, debe disponer de un extintor de incendios adecuado al alcance de la mano. Tenga un extintor seco o de CO₂ junto a la zona de carga.

7.6 AUSENCIA DE FUENTES DE IGNICIÓN

Toda persona que realice trabajos relacionados con un sistema de refrigeración que implique exponer cualquier tubería que contenga o que haya contenido refrigerante inflamable no debe utilizar ninguna fuente de ignición de tal manera que pueda suponer un riesgo de incendio o explosión. Todas las posibles fuentes de ignición, incluido el tabaco, deben mantenerse lo suficientemente lejos del lugar de la instalación, reparación, desmontaje y desecho, con el fin de evitar que el refrigerante que se pueda liberar en la zona se inflame. Antes de empezar el trabajo, hay que observar el área alrededor del equipo para asegurarse de que no existen riesgos de inflamación o riesgos de ignición. Deberá haber una señalización de "NO FUMAR".

7.7 ÁREA VENTILADA

Asegúrese de que la zona esté abierta o que tenga la ventilación adecuada antes de abrir el sistema o de realizar cualquier trabajo con aplicación de calor. Deberá seguir habiendo ventilación suficiente durante el período que se realiza el trabajo. La ventilación debe dispersar de forma segura todo el refrigerante liberado y expulsarlo preferiblemente a la atmósfera externa.

7.8 COMPROBACIONES EN EL EQUIPO DE REFRIGERACIÓN

Cuando se cambien componentes eléctricos, estos deberán ser aptos para la finalidad y tener la especificación correcta. Se deben seguir en todo momento las directrices de mantenimiento y servicio del fabricante. En caso de duda consulte con el departamento técnico del fabricante. Las siguientes comprobaciones deben realizarse en las instalaciones que utilizan refrigerantes inflamables:

- el tamaño de la carga debe ser adecuado para el tamaño de la sala en la que están instalados los componentes que contienen refrigerante;
- la maquinaria de ventilación y las salidas funcionan adecuadamente y no están obstruidas;
- si se utiliza un circuito de refrigeración indirecta, hay que verificar si en los circuitos secundarios se detecta presencia de refrigerante; las advertencias continúan siendo visibles y legibles en el equipo.
- las advertencias y señales que no se pueden leer deben corregirse;
- la tubería o componentes de refrigeración están instalados en una posición en la que no es probable que queden expuestos a cualquier sustancia que puede corroer los componentes que contienen refrigerante, a menos que los componentes estén contruidos con materiales que son inherentemente resistentes a la corrosión o que estén adecuadamente protegidos contra la corrosión.

7.9 COMPROBACIONES EN LOS DISPOSITIVOS ELÉCTRICOS

La reparación y mantenimiento de componentes eléctricos deberán incluir comprobaciones de seguridad iniciales y procedimientos de inspección de los componentes. Si existe una avería que pueda poner en peligro la seguridad, se debe cortar la alimentación eléctrica al circuito hasta que el problema esté resuelto. Si la avería no se puede corregir de inmediato pero es necesario que el sistema siga funcionando, deberá utilizarse una solución temporal adecuada. Esto se notificará al propietario del equipo para que todas las partes estén avisadas.

Las comprobaciones de seguridad iniciales incluirán:

- comprobar que los condensadores están descargados: esto se hará de manera segura para evitar la posibilidad de chispas
- que no hay componentes eléctricos y cables de fase que estén expuestos durante la carga, la recuperación o la purga del sistema;
- que la conexión a tierra tiene continuidad.

7.10 REPARACIÓN DE LOS COMPONENTES SELLADOS

- 10.1 Durante la reparación de componentes sellados, todas las fuentes de alimentación eléctrica del equipo en el que se trabaja se deben desconectar antes de quitar las cubiertas selladas, etc. Si es absolutamente necesario disponer de alimentación eléctrica en el equipo durante el trabajo, debe colocarse un sistema de permanente de detección de fugas en el punto más crítico para advertir de una situación potencialmente peligrosa.
- 10.2 Se prestará especial atención a lo siguiente para asegurarse de que al trabajar en los componentes eléctricos no se altera la carcasa de manera que afecte al nivel de protección. Esto debe incluir daños a los cables, excesivo número de conexiones, terminales que no cumplen la especificación original, daños en las juntas, montaje incorrecto de los prensaestopas, etc.
- Asegúrese de que el aparato se monta de manera segura.
 - Asegúrese de que las juntas o materiales de sellado no se han degradado de tal manera que ya no sirvan para impedir la entrada de atmósferas inflamables. Las piezas de repuesto deben cumplir las especificaciones del fabricante.

NOTA: El uso de sellador de silicona puede inhibir la eficacia de algunos tipos de equipos de detección de fugas. Los componentes intrínsecamente seguros no tienen que aislarse para trabajar en ellos.

7.11 REPARACIÓN DE COMPONENTES INTRÍNSICAMENTE SEGUROS

No aplique cargas inductivas o capacitancia permanentes en el circuito sin asegurarse de que esto no va a superar la tensión e intensidad de corriente admitida para el equipo en uso. Mientras se esté en una atmósfera inflamable y haya corriente eléctrica solo se puede trabajar en los componentes intrínsecamente seguros. El aparato de prueba debe tener el voltaje correcto. Sustituya componentes solo por otros especificados por el fabricante. Otros componentes pueden provocar la ignición del refrigerante en la atmósfera en caso de fuga.

7.12 CABLES

Verifique que los cables no estén sujetos a desgaste, corrosión, presión excesiva, vibración, bordes afilados o cualquier otro efecto ambiental adversos. La comprobación también deberá tener en cuenta los efectos del envejecimiento o la vibración continua de fuentes tales como compresores o ventiladores.

7.13 DETECCIÓN DE REFRIGERANTES INFLAMABLES

En ningún caso se pueden utilizar fuentes potenciales de ignición para buscar o detectar fugas de refrigerante. No se debe utilizar una antorcha de haluro (ni ningún otro detector que tenga llama viva).

7.14 MÉTODOS DE DETECCIÓN DE FUGAS

Los siguientes métodos de detección de fugas se consideran aceptables para los sistemas que contienen refrigerantes inflamables.

Para detectar los refrigerantes inflamables se deben utilizar detectores de fugas electrónicos, pero la sensibilidad de los mismos puede no ser la adecuada o pueden necesitar recalibración. (El equipo de detección se calibrará en un área libre de refrigerante.) Asegúrese de que el detector no es una fuente potencial de ignición y es adecuado para el refrigerante. Los equipos de detección de fugas deben fijarse en un porcentaje del nivel inferior de inflamabilidad (LFL) del refrigerante y se calibrará en función del refrigerante utilizado y del porcentaje adecuado de gas (25% máximo). Los fluidos de detección de fugas son adecuados para su uso con la mayoría de refrigerantes pero debe evitarse el uso de detergentes que contienen cloro puesto que puede reaccionar con el refrigerante y corroer el cobre del tubo. Si se sospecha una fuga, se deberán retirar o apagar todas las llamas vivas. Si se encuentra una fuga de refrigerante que requiera soldadura, habrá que recuperar todo el refrigerante del sistema, o aislarlo (por medio de válvulas de cierre) en una parte del sistema alejada de la fuga. El sistema debe purgarse con nitrógeno de alta pureza antes y durante el proceso de soldadura.

7.15 EXTRACCIÓN Y EVACUACIÓN

Cuando se abre el circuito de refrigerante para hacer las reparaciones o con cualquier otra finalidad, se utilizarán los procedimientos convencionales. Sin embargo, es importante seguir las prácticas recomendadas teniendo presente la inflamabilidad. El siguiente procedimiento debe seguirse para:

- extraer el refrigerante;
- purgar el circuito con gas inerte;
- evacuar;
- purgar de nuevo con gas inerte;
- abrir el circuito por corte o soldadura.

La carga de refrigerante se recuperará en cilindros de recuperación adecuados. El sistema debe ser lavado con nitrógeno de alta pureza (nitrógeno sin oxígeno, OFN) para que la unidad sea segura. Puede ser necesario repetir este proceso varias veces.

Para esta tarea no se debe utilizar aire comprimido u oxígeno.

El lavado se realizará quitando el vacío del sistema rellenándolo con nitrógeno de alta pureza hasta alcanzar la presión de trabajo, luego se dejará salir el nitrógeno a la atmósfera y finalmente se volverá a realizar el vacío. Este proceso se debe repetir hasta que no quede nada de refrigerante en el sistema.

Cuando se realice la carga final de nitrógeno de alta pureza, el sistema se deberá ventilar a presión atmosférica para poder realizar el trabajo. Esta operación es absolutamente fundamental si se van a realizar soldaduras en la tubería. Asegúrese de que la salida de la bomba de vacío no está cerca de ninguna fuente de ignición y que haya una buena ventilación.

7.16 PROCEDIMIENTOS DE CARGA

Además de los procedimientos convencionales de carga, se deberán seguir las siguientes normas:

- Asegúrese de que no se contaminan los distintos refrigerantes al utilizar el equipo de carga. Las mangueras o tubos deberán ser lo más cortos que sea posible para reducir al mínimo la cantidad de refrigerante contenido en ellos.
- Los cilindros deberán mantenerse en posición vertical.
- Asegúrese de que el sistema de refrigeración está conectado a tierra antes de cargar el sistema con refrigerante.
- Etiquete el sistema después de realizar la carga (si no lo ha hecho todavía).
- Debe extremarse la precaución para no sobrecargar el sistema de refrigeración.
- Antes de recargar el sistema deberá probarse la presión del mismo con nitrógeno de alta pureza. Después de la carga del sistema deberá realizarse una prueba de fugas del sistema (antes de la puesta en servicio). Prueba de fugas.

7.17 DESMANTELAMIENTO

Antes de llevar a cabo este procedimiento, es esencial que el técnico esté totalmente familiarizado con el equipo y con todos sus detalles. La buena práctica recomendada es recuperar todos los refrigerantes de forma segura.

Antes de realizar la tarea, se tomará una muestra de aceite y refrigerante.

En caso de que se requiera analizar el refrigerante recuperado antes de reutilizarlo. Es esencial disponer de energía eléctrica para poder comenzar la tarea.

- a) Familiarícese con el equipo y su funcionamiento.
- b) El sistema debe estar aislado de la electricidad
- c) Antes de efectuar la operación asegúrese de que:
 - dispone de equipo mecánico de manipulación, si es necesario, para el manejo de los cilindros de refrigerante;
 - todo el equipo de protección personal está disponible y se utiliza correctamente;
 - el proceso de recuperación es supervisado en todo momento por una persona competente;
 - el equipo de recuperación y los cilindros se ajustan a las normas correspondientes.
- d) Retire el refrigerante del sistema, si es posible.
- e) Si no es posible hacer el vacío, coloque un colector de manera que el refrigerante puede ser retirado de las diversas partes del sistema.
- f) Asegúrese de que el cilindro se encuentra sobre las básculas antes de realizar la recuperación.
- g) Arranque la máquina de recuperación y opere según las instrucciones del fabricante.
- h) No llene los cilindros en exceso. (No más del 80% del volumen de carga líquida).
- i) No exceda la presión máxima del cilindro, aunque sea temporalmente.
- j) Cuando los cilindros se hayan llenado correctamente y el proceso haya terminado, asegúrese de que los cilindros y los equipos se retiran del sitio rápidamente y que todas las válvulas de aislamiento están cerradas.
- k) El refrigerante recuperado no se cargará en otro sistema de refrigeración a menos que haya sido limpiado y comprobado.

7.18 ETIQUETADO

El equipo debe ser etiquetado indicando que se ha desmantelado y que se ha vaciado de refrigerante.

La etiqueta deberá estar fechada y firmada. Asegúrese de que no hay etiquetas en el equipo indicando que el equipo contiene refrigerante inflamable.

7.19 RECUPERACIÓN

- Al retirar el refrigerante de un sistema, ya sea para desmantelarlo o para repararlo, se recomienda encarecidamente que los refrigerantes se extraigan de forma segura.
- Al transferir el refrigerante a los cilindros, asegúrese de que solo se emplean cilindros de recuperación adecuados para el refrigerante. Asegúrese de que dispone de cilindros suficientes para la carga total del sistema. Todos los cilindros que se utilizarán deben estar diseñados para el refrigerante recuperado y etiquetados para dicho refrigerante (es decir, cilindros especiales para la recuperación de refrigerante). Los cilindros deben disponer de válvula de alivio de presión y válvulas de cierre en buen estado de funcionamiento.
- Los cilindros de recuperación se deben haber vaciado y, si es posible, enfriados antes de realizar la recuperación.
- El equipo de recuperación deberá estar en buen estado de funcionamiento y deberá ser adecuado para la recuperación de refrigerantes inflamables; además, deberá tener a mano instrucciones relativas al equipo. Además, debe disponer de un conjunto de básculas calibradas y en buen estado de funcionamiento.
- Las mangueras deben incluir acoplamientos para la desconexión sin fugas y en buenas condiciones. Antes de usar la máquina de recuperación, compruebe que está en estado de funcionamiento satisfactorio, que se ha mantenido correctamente y que los componentes eléctricos asociados están sellados para evitar la posible ignición en el caso de una fuga de refrigerante. Consulte con el fabricante en caso de duda.
- El refrigerante recuperado debe devolverse al proveedor de refrigerante en un cilindro de recuperación adecuado con la nota de transferencia de residuos correspondiente. No mezcle refrigerantes en las unidades de recuperación y, especialmente, en los cilindros.
- Si se van a quitar los compresores o los aceites del compresor, asegúrese de que se han vaciado a un nivel aceptable para asegurarse de que el refrigerante inflamable no permanezca dentro del lubricante. El proceso de vaciado se debe realizar antes de devolver el compresor a los proveedores. Para acelerar este proceso solo se debe utilizar calefacción eléctrica con el cuerpo del compresor. Cuando se extrae el aceite del sistema, debe desecharse adecuadamente..

7.20 TRANSPORTE, MARCADO Y ALMACENAMIENTO DE UNIDADES

1. El transporte de equipos que contengan refrigerantes inflamables debe realizarse cumpliendo las normas de transporte
2. El marcado de los equipos debe realizarse con señales que cumplan las regulaciones locales
3. La eliminación de equipos que contengan refrigerantes inflamables debe realizarse cumpliendo las normas nacionales.
4. Almacenamiento de equipos/electrodomésticos
El almacenamiento del equipo debe realizarse de acuerdo con las instrucciones del fabricante.
5. Almacenamiento del equipo empaquetado (sin vender)
El paquete de protección para el almacenamiento deberá estar construido de tal manera que un daño mecánico al equipo dentro del paquete no provoque una fuga de la carga de refrigerante.
El número máximo de equipos que se permiten almacenar juntos estará determinado por las regulaciones locales.

Ce produit a été conçu en conformité avec la directive "Basse Tension" (2014/35/EU) et la directive sur la compatibilité électromagnétique (2014/30/EU) de l'Union européenne.



Élimination appropriée de ce produit (appareils électriques et électroniques usagés)

(Lorsque vous utilisez ce climatiseur en Europe, il convient d'appliquer les directives suivantes.)

- Le symbole apposé sur le produit ou sa documentation indique qu'il convient que les appareils électriques et électroniques usagés (DEEE conformément à la directive 2012/19/UE) ne soient pas être jetés avec les ordures ménagères. Il est interdit de jeter cet appareil avec les ordures ménagères. Plusieurs possibilités s'offrent à vous, pour l'élimination :
1. Votre municipalité a mis en place des systèmes de collecte, grâce auxquels les utilisateurs peuvent se débarrasser de leurs déchets électroniques gratuitement.
 2. Lorsque vous achetez un nouveau produit, le détaillant reprend l'ancien produit gratuitement.
 3. Le fabricant reprend gratuitement l'ancien appareil pour l'éliminer.
 4. Comme les anciens produits contiennent des matériaux de valeur, ils peuvent être vendus à des ferrailleurs. L'élimination sauvage de déchets dans les forêts et la nature met en péril votre santé, car des substances dangereuses peuvent s'infiltrer dans le sol et se retrouver dans les produits alimentaires que vous consommez.

Ce produit contient des gaz fluorés encadrés par le Protocole de Kyoto

Nom chimique du gaz	R32
Potentiel de réchauffement planétaire (PRP) du gaz	675

ATTENTION

1. Collez l'étiquette du produit frigorigène jointe à côté de l'emplacement de chargement et/ou de récupération.
2. Inscrivez clairement à l'encre indélébile la quantité de produit frigorigène chargée sur l'étiquette.
3. Évitez toute émission des gaz fluorés renfermés. Vérifiez que le gaz fluoré n'est pas rejeté dans l'atmosphère lors de l'installation, de l'entretien ou de l'élimination. Lorsqu'une fuite de gaz fluoré est détectée, celle-ci doit être stoppée et réparée dès que possible.
4. Seul un technicien qualifié est autorisé à réparer cet appareil.
5. Toute manipulation du gaz fluoré lors du transport ou de la recharge en gaz de cet appareil doit être conforme à la réglementation (CE) n° 517/2014 relative à certains gaz à effet de serre fluorés et à la législation locale en vigueur.
6. Si un système de détection des fuites est installé, les fuites doivent être recherchées au minimum tous les 12 mois.
7. Lors de la recherche de fuite sur l'unité, il est fortement recommandé de conserver la trace de toutes les vérifications effectuées.

Unité intérieure	Unité extérieure	Tension nominale et Hz
42QHP09E8S*	38QHP09E8S*	220-240V~, 50Hz
42QHP12E8S*	38QHP12E8S*	

Le fabricant se réserve le droit de modifier les caractéristiques du produit sans préavis.

TABLE DES MATIÈRES

1. PRÉPARATION DE L'INSTALLATION	3
1.1 Consignes de sécurité	3
1.2 Accessoires.....	5
1.3 Choix de l'emplacement d'installation	6
2. INSTALLATION DE L'UNITÉ INTÉRIEURE	7
2.1 Plaque de montage de l'unité intérieure.....	7
2.2 Processus d'installation	8
3. INSTALLATION DE L'UNITÉ EXTÉRIEURE	9
3.1 Dimensions de montage de l'unité extérieure.....	9
3.2 Espace requis pour l'unité extérieure	9
3.3 Raccordement des fils extérieurs.....	10
3.4 Installation de l'unité extérieure	10
3.5 Installation du tuyau d'évacuation de l'unité extérieure	10
4. TRAVAUX DE TUYAUTERIE POUR LE PRODUIT FRIGORIGÈNE	11
4.1 Évasement	11
4.2 Travaux de tuyauterie	11
4.3 Conduite de produit frigorigène.....	12
4.4 Évacuation de l'air.....	12
4.5 Test d'étanchéité.....	12
5. CÂBLAGE	13
6. VÉRIFICATION FINALE ET TEST DE FONCTIONNEMENT	14
6.1 Liste de vérification finale	14
6.2 Fonctionnement manuel	14
6.3 Test de fonctionnement	14
7. INFORMATIONS RELATIVES À L'ENTRETIEN	15



Mise en garde : **Risque d'incendie**
pour le fluide frigorigène
R32/R290 seulement

1.1 CONSIGNES DE SÉCURITÉ

- L'installation, la mise en service et l'entretien des équipements de climatisation peuvent s'avérer dangereux en raison de la pression du système, des composants électriques et de l'emplacement des équipements (toits, structures surélevées, etc.).
- Il convient que seul un installateur ou un technicien qualifié et formé installe, démarre et entretienne cet équipement.
- Lorsque vous utilisez cet équipement, respectez les précautions mentionnées dans la documentation et sur les étiquettes et autocollants apposés dessus.
- Respectez tous les codes de sécurité. Portez des lunettes de sécurité et des gants de travail. Lors du brasage, gardez toujours à proximité de vous un chiffon humide et un extincteur. Faites particulièrement attention lors de la manipulation, du réglage et de la mise place du matériel encombrant.
- Lisez attentivement ces instructions et respectez tous les avertissements ou mises en garde figurant dans le guide et joints à l'appareil. Consultez les codes de construction locaux et le code national de l'électricité pour connaître les exigences particulières.

AVERTISSEMENT

Ce symbole indique un risque de blessures ou de décès.

- **Le gaz réfrigérant est plus lourd que l'air et remplace l'oxygène. Une fuite importante peut conduire à un appauvrissement en oxygène, en particulier dans les sous-sols et à un risque d'asphyxie, entraînant des blessures graves ou la mort.**
- Lorsque le climatiseur est installé dans une petite pièce, les mesures appropriées doivent être prises pour veiller à ce que la concentration de produit frigorigène dans la pièce en cas de fuite ne dépasse pas le niveau critique.
- **En cas de fuite de gaz réfrigérant pendant l'installation, aérez immédiatement la zone.**
Le gaz réfrigérant peut produire un gaz toxique s'il entre en contact avec une flamme, par exemple celle d'un générateur d'air chaud, d'une cuisinière ou d'un appareil de cuisson. L'exposition à ce gaz peut provoquer des blessures graves ou la mort.
- **Débranchez l'appareil de la source d'alimentation avant toute intervention électrique. Branchez correctement le câble de connexion.**
Une mauvaise connexion peut endommager les composants électriques.
- **Utilisez les câbles spécifiés pour les raccordements électriques et raccordez fermement à la borne de sorte que cette dernière ne soit pas soumise à la force extérieure.**
- **Veillez à bien effectuer la mise à la terre.**
Ne reliez pas ces appareils à des conduites de gaz, à des conduites d'eau, à des paratonnerres ou à des câbles téléphoniques. Une mise à la terre incomplète peut provoquer des chocs électriques graves, entraînant des blessures ou la mort.
- **Débarrassez-vous des emballages de manière sûre.**
Les éléments d'emballage, tels que les clous et autres pièces métalliques ou en bois, peuvent provoquer des blessures par perforation ou autres. Déchirez les emballages en plastique et jetez-les pour éviter que les enfants ne jouent avec. Les enfants qui jouent avec des emballages en plastique s'exposent à un risque d'étouffement.
- **N'installez pas l'appareil à proximité de concentrations de gaz ou de vapeurs de gaz combustible.**
- **Veillez à utiliser les pièces d'installation fournies ou appropriées.**
L'utilisation d'autres pièces peut entraîner la détérioration de l'appareil, des fuites d'eau, des chocs électriques, des incendies ou un dommage matériel.
- Lorsque vous installez le système ou que vous le déplacez, veillez à ce que l'air ou des substances autres que le liquide réfrigérant spécifié (R410A) ne pénètrent pas dans le cycle de réfrigération.
- **Ne modifiez pas cet appareil en retirant une protection ou en contournant les dispositifs de verrouillage de sécurité.**
- **Il convient que les travaux électriques soient effectués en conformité avec le manuel d'installation et les codes de câblage électrique locaux, régionaux et nationaux.**

AVERTISSEMENT

- **Veillez à utiliser un circuit d'alimentation dédié. N'utilisez pas une prise de courant à laquelle un autre appareil est déjà branché.**
- **Pour éviter tout risque dû à la réinitialisation accidentelle du coupe-circuit thermique, cet appareil ne doit pas être alimenté par un dispositif de commutation externe, comme un temporisateur, ni être connecté à un circuit qui est régulièrement activé et désactivé par le service fournisseur.**
- **Utilisez les câbles prescrits pour le raccordement électrique et protégez-les à l'aide d'une gaine d'isolation à une température appropriée.**
Des câbles non conformes peuvent provoquer une fuite électrique, une production de chaleur anormale ou un incendie.
- **N'utilisez aucun moyen visant à accélérer le processus de dégivrage ou de nettoyage, à l'exception de ceux recommandés par le fabricant.**
- **L'appareil doit être stocké dans une pièce dépourvue de sources d'inflammation qui fonctionnent en continu (par exemple, des flammes nues, des appareils à gaz en fonctionnement ou un chauffage électrique en fonctionnement).**
- **Ne percez pas et ne brûlez pas.**
- **N'oubliez pas que les produits frigorigènes peuvent être inodores.**
- **L'appareil doit être stocké dans une zone bien ventilée, au sein d'une pièce dont la taille correspond à celle spécifiée pour l'utilisation.**
- **Pour les modèles de produits frigorigènes R32 :**
L'appareil doit être installé, utilisé et stocké dans une pièce dont la surface au sol est supérieure à 4 m².
L'appareil ne doit pas être installé dans un espace non ventilé dont la surface est inférieure à 4 m².
- **Pour les modèles de produits frigorigènes R290, la taille minimale de la pièce nécessaire :**
Unités <=9000Bth/h : 13m²
Unités >9000Bth/h et <=12000Btu/h : 17m²
Unités >12000Btu/h et <=18000Btu/h : 26m²
Unités >18000Btu/h et <=24000Btu/h : 35m²

ATTENTION

Ce symbole indique un risque de dommages matériels ou de conséquences graves.

- **Pour éviter de vous blesser, soyez prudent lorsque vous manipulez des pièces avec des arêtes vives.**
- **N'installez pas les unités intérieures ou extérieures dans des conditions environnementales spéciales.**
- **N'installez pas l'appareil dans un endroit susceptible d'amplifier son niveau sonore ou dans lequel le bruit ou l'évacuation de l'air peuvent représenter une nuisance pour votre voisinage.**
- **Effectuez les travaux de tuyauterie/d'évacuation en toute sécurité en suivant le manuel d'installation.**
Une tuyauterie d'évacuation inadaptée peut entraîner des fuites d'eau et des dommages matériels.
- **N'installez pas le climatiseur aux endroits suivants.**
 - Endroits où se trouvent de l'huile minérale ou de l'acide arsénique.
 - Endroits où des gaz corrosifs (comme des gaz d'acide sulfureux) ou des gaz combustibles (comme du diluant) peuvent s'accumuler ou à un endroit où des substances combustibles volatiles sont manipulées.
 - Endroits où se trouvent des équipements qui génèrent des champs électromagnétiques ou des harmoniques hautes fréquences.
- **L'appareil doit être stocké de manière à éviter tout dommage mécanique.**
- **Il convient que toute personne utilisant ou ouvrant un circuit de frigorigène soit en possession d'un certificat en cours de validité, délivré par une autorité d'évaluation accréditée par l'industrie, qui précise sa compétence à manipuler des produits frigorigènes en toute sécurité, conformément à une spécification d'évaluation reconnue par l'industrie.**

1. PRÉPARATION DE L'INSTALLATION

1.2 ACCESSOIRES

Les accessoires suivants sont fournis avec l'appareil. Le type et la quantité peuvent varier selon les spécifications.

Nom de l'accessoire	Qté (pcs)	Aspect	Nom de l'accessoire	Qté (pcs)	Aspect
Manuel	3		Télécommande	1	
Conduite d'évacuation	1		Pile	2	
Joint	1		Support de la télécommande	1	
Plaque d'installation	1		Vis B	2	
Cheville	5		Petit filtre	1	
Vis A	5		Bague magnétique (Certains appareils)	N*	

* selon la quantité réelle

1.3 CHOIX DE L'EMPLACEMENT D'INSTALLATION

Unité intérieure

- Endroit qui peut supporter le poids de l'appareil intérieur.
- N'installez pas les appareils intérieurs à proximité d'une source de chaleur directe comme la lumière du soleil ou un appareil de chauffage.
- Choisissez un endroit avec suffisamment d'espace libre, comme illustré ci-dessous.
- Les parties mobiles de l'appareil doivent être installées/se trouver à une distance d'au moins 2,3 m du sol.

Unité extérieure

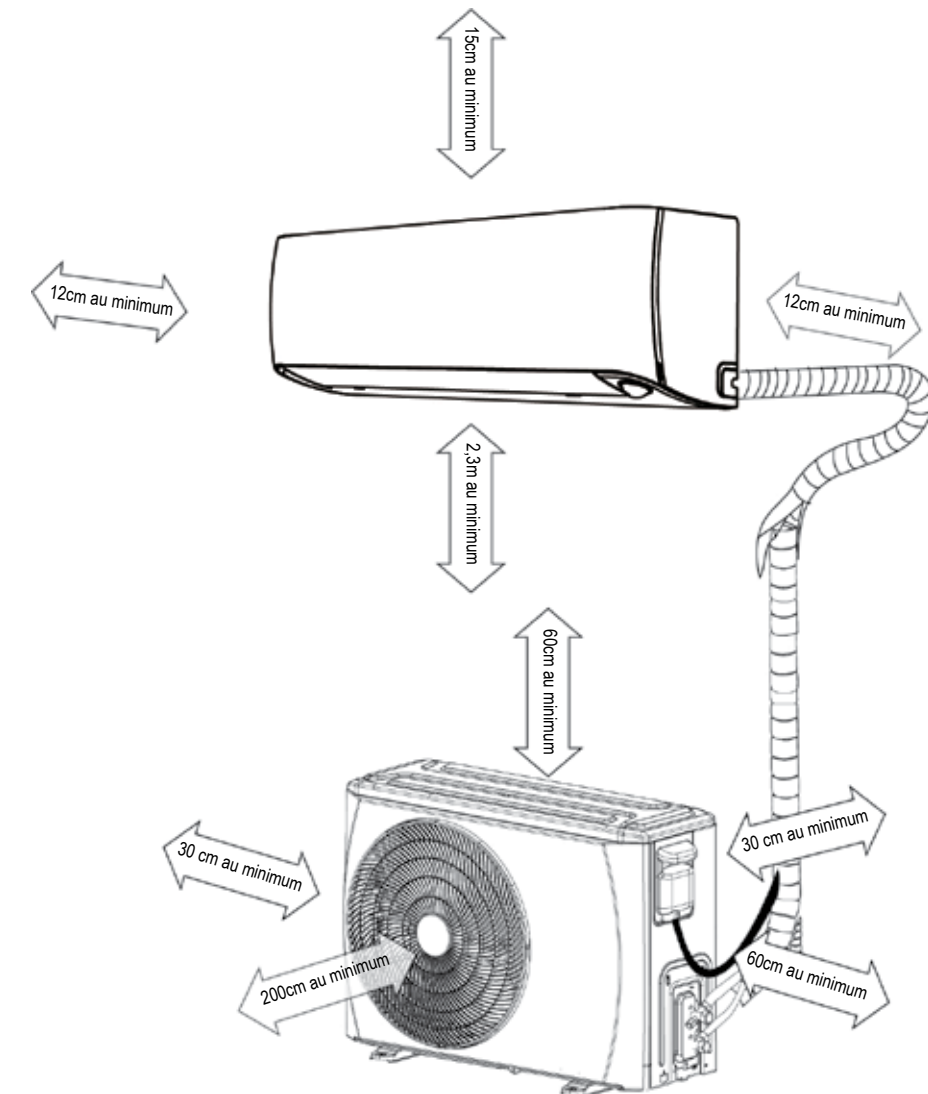
- Endroit approprié pour l'installation, non exposé à des vents forts. Si l'appareil est exposé à des vents forts, il est recommandé d'utiliser un déflecteur de vent.
- Endroit qui peut supporter le poids de l'appareil extérieur et où il est possible d'installer l'appareil extérieur dans une position horizontale.

Choisissez un endroit avec suffisamment d'espace libre, comme illustré ci-dessous.

N'installez pas les unités intérieures ou extérieures dans des conditions environnementales spéciales.

Assurez-vous que l'espace est suffisant pour l'installation et la maintenance.

1. PRÉPARATION DE L'INSTALLATION



Remarque : Veillez à bien respecter les espaces indiqués par les flèches par rapport aux murs, plafonds, barrières ou autres obstacles.

Il est possible d'installer un tuyau à l'arrière, à gauche, à droite et côté arrière gauche.

Branchez le tuyau d'évacuation inutilisé avec le bouchon en caoutchouc fourni.

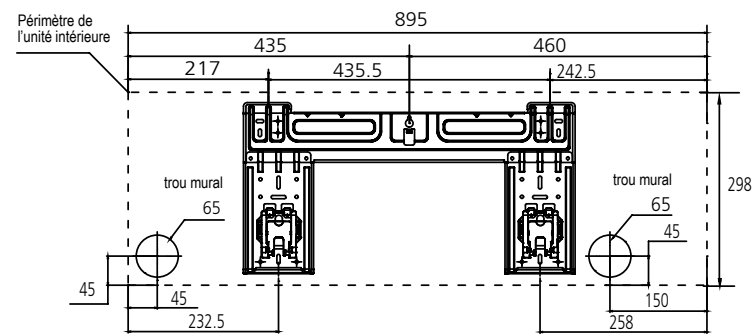
Coupez le panneau de basculement en fonction de la taille du tuyau.

panneau de basculement

2. INSTALLATION DE L'UNITÉ INTÉRIEURE

2. INSTALLATION DE L'UNITÉ INTÉRIEURE

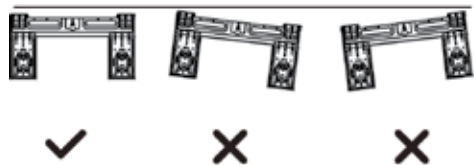
2.1 PLAQUE DE MONTAGE DE L'UNITÉ INTÉRIEURE



Remarque : Lorsque le diamètre du tuyau de raccordement de la conduite de gaz est de $\varnothing 16\text{mm}$ (5/8in) ou supérieur, il convient que celui du trou de la conduite mesure 90mm (3,54 in).

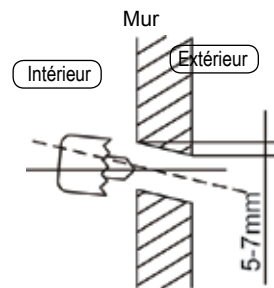
■ Installation de la plaque de montage

Fixez la plaque de montage horizontalement et à niveau sur le mur avec au moins cinq vis de type A.



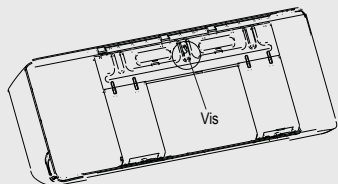
■ Percement d'un trou dans le mur

Percer un trou de 65mm ou de 90mm (selon les modèles) dans le mur qui converge légèrement vers l'extérieur.



Remarque :

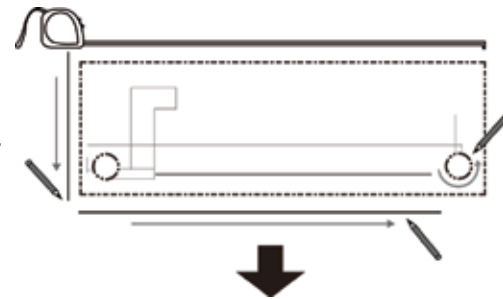
■ La plaque d'installation plate est fixée avec une vis à des fins de transport. Retirez la vis avant l'installation. (Voir figure.)



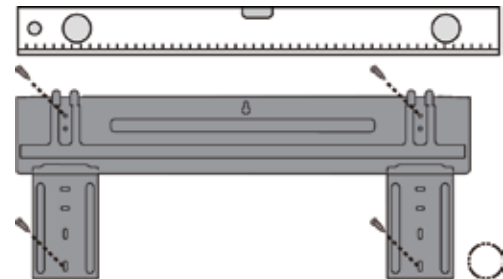
■ La plaque de montage ressemblera à ce qui suit, en fonction de la taille de l'unité. Il convient que les trous de fixation des chevilles mesurent 5 mm.

2.2 PROCESSUS D'INSTALLATION

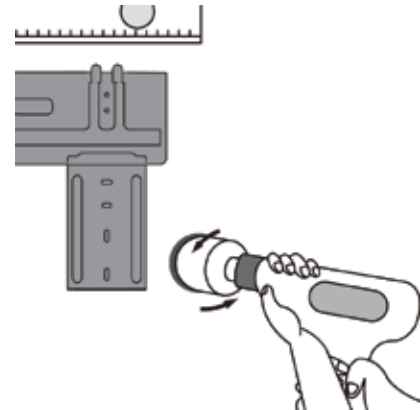
Étape 1 : Déterminer la position du trou sur le mur



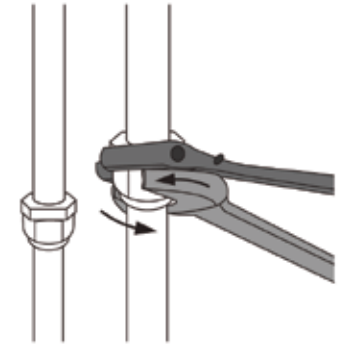
Étape 2 : Connecter la plaque de montage



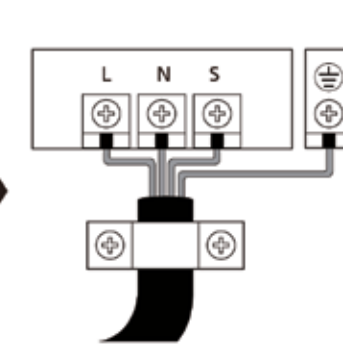
Étape 3 : Percer le trou dans le mur



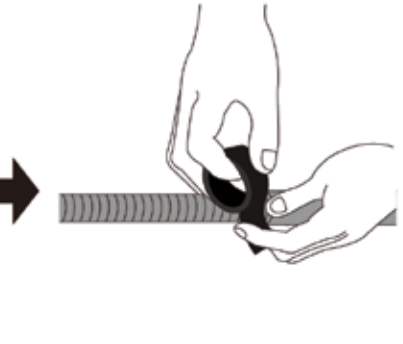
Étape 4 : Raccorder le tuyau



Étape 5 : Connecter le câble



Étape 6 : Préparer le tuyau d'évacuation



Étape 8 : Suspension de l'unité intérieure

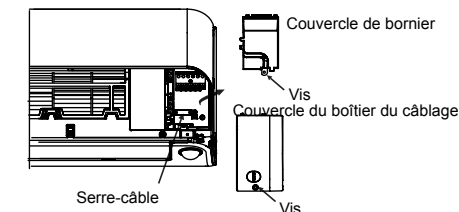
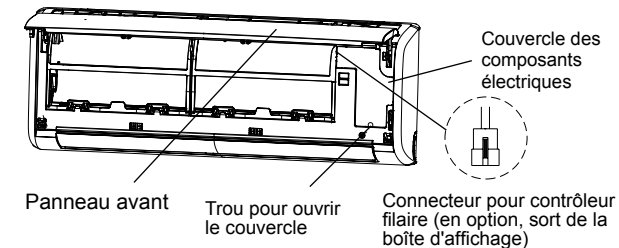


Étape 7 : Fixer le tuyau et le câble



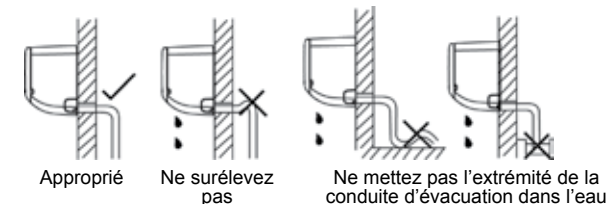
■ Raccordement des câbles intérieurs

1. Soulevez le panneau avant de l'appareil intérieur.
2. Ouvrez le couvercle des composants électriques à l'aide d'un tournevis dans le trou, retirez manuellement le couvercle de bornier et retirez le serre-câble en desserrant les vis.
3. Passez les fils de connexion à l'arrière de l'appareil intérieur et raccordez-les à la borne intérieure.



■ Évacuation

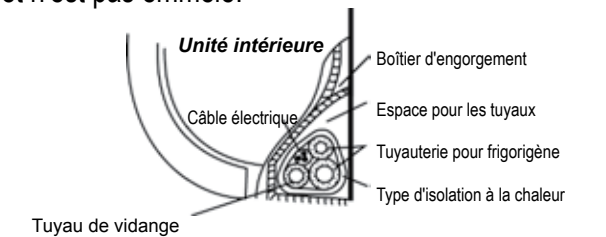
La conduite d'évacuation ne doit pas être bouchée, doit être dirigée vers le bas et doit être isolée jusqu'à la paroi extérieure.



■ Disposition du tuyau

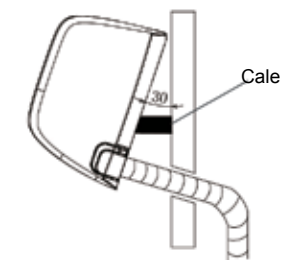
Pour assurer la bonne orientation des conduites de produit réfrigérant, du câble électrique et des conduites d'évacuation, reportez-vous à la figure ci-dessous :

- Placez le tuyau de vidange en dessous de la conduite de produit réfrigérant.
- Assurez-vous que le tuyau de vidange ne se soulève pas et n'est pas emmêlé.



■ Suspension de l'unité intérieure

1. Acheminez les conduites du produit réfrigérant dans le trou du mur.
2. Suspendez l'appareil intérieur au crochet supérieur de la plaque de montage, puis poussez la partie inférieure de l'appareil le long du mur, sur le crochet inférieur.
3. Déplacez l'appareil intérieur de gauche à droite et de haut en bas pour vérifier qu'il est bien accroché.



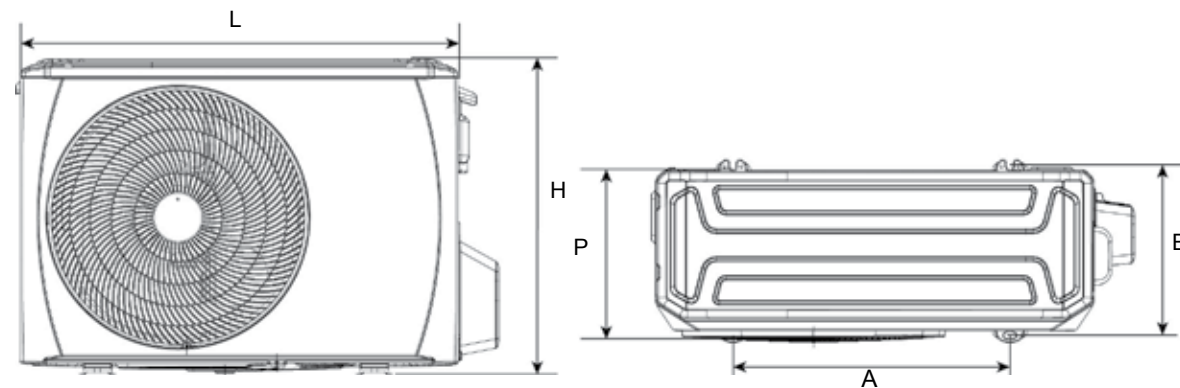
⚠ ATTENTION

■ Les pièces de connectique du tuyau de raccord doivent être placées à l'extérieur de la pièce.

3. INSTALLATION DE L'UNITÉ EXTÉRIEURE

3.1 DIMENSIONS DE MONTAGE DE L'UNITÉ EXTÉRIEURE

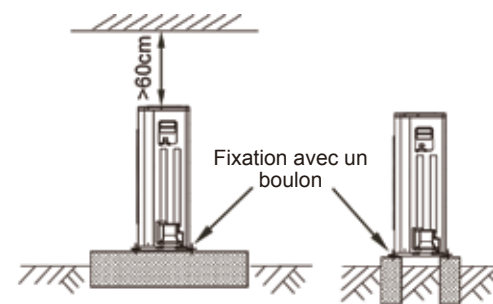
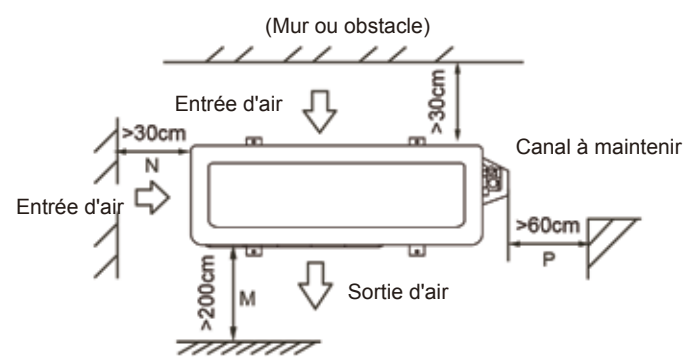
Les dimensions de montage varient en fonction des appareils extérieurs.
Il convient que le diamètre de la tête du boulon de fixation mesure plus de 12mm.



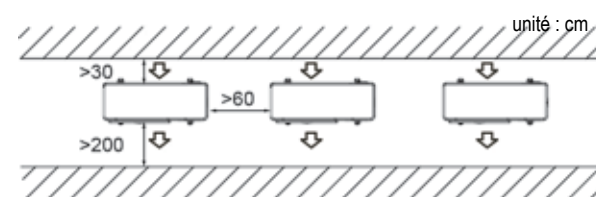
Dimensions de l'appareil extérieur (mm)			Dimensions de montage (mm)		
Unité extérieure	L	H	P	A	B
38QHP09E8S 38QHP12E8S	800	554	333	515	340

3.2 ESPACE REQUIS POUR L'UNITÉ EXTÉRIEURE

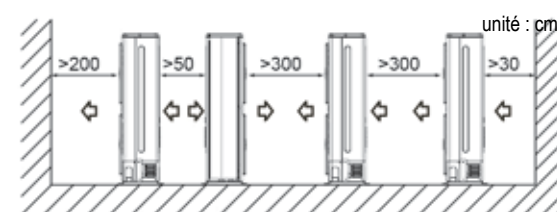
Installation d'une seule unité



Raccordement parallèle de deux unités ou plus



Raccordez les côtés avant et arrière en parallèle



ATTENTION

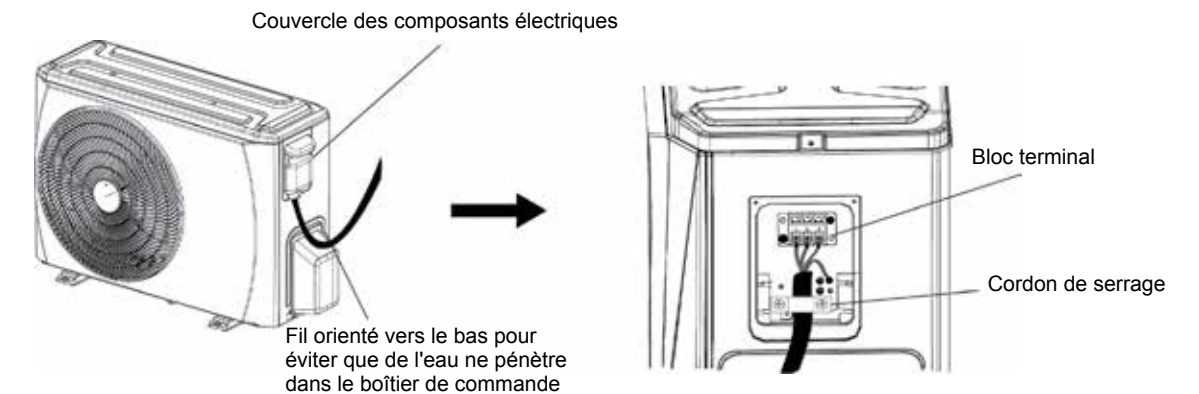
■ Dans les régions sujettes à des chutes de neige et à de basses températures, évitez d'installer l'appareil extérieur dans un endroit où il peut être recouvert de neige. Si des chutes de neige abondantes sont possibles, il convient d'installer un support de protection contre la neige ou le verglas et/ou un déflecteur de vent, pour éviter toute accumulation de neige et/ou un blocage des entrées d'air de l'appareil.

3. INSTALLATION DE L'UNITÉ EXTÉRIEURE



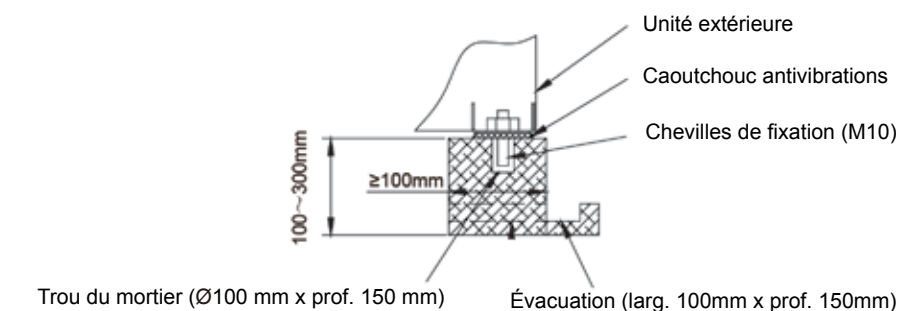
3.3 RACCORDEMENT DES FILS EXTÉRIEURS

- Retirez le couvercle des composants électriques et le cordon de serrage en desserrant les vis.
- Connectez les fils à la borne extérieure de la même manière que pour l'unité intérieure.



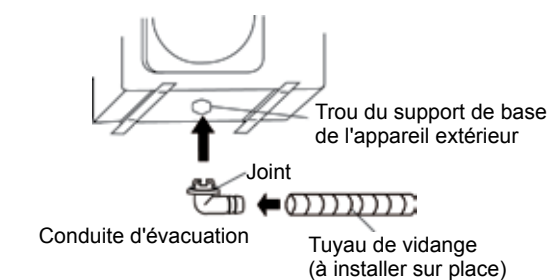
3.4 INSTALLATION DE L'UNITÉ EXTÉRIEURE

- Avant l'installation, vérifiez que la base est résistante et bien horizontale, de sorte qu'aucun son anormal ne soit généré.
- Fixez solidement la base avec des boulons d'ancrage (M10) pour l'empêcher de tomber.
- Installez les caoutchoucs d'appui et anti-vibration pour soutenir directement la surface inférieure de la fixation qui est en contact avec la plaque de fond de l'unité extérieure.



3.5 INSTALLATION DU TUYAU D'ÉVACUATION DE L'UNITÉ EXTÉRIEURE

- Raccordez la conduite d'évacuation à une rallonge de tuyau de vidange.
- Placez le joint sur la conduite d'évacuation.
- Insérez la conduite d'évacuation dans le trou du support de base de l'unité extérieure et faites pivoter l'ensemble de 90 degrés pour le fixer.



4. TRAVAUX DE TUYAUTERIE POUR LE PRODUIT FRIGORIGÈNE

ATTENTION

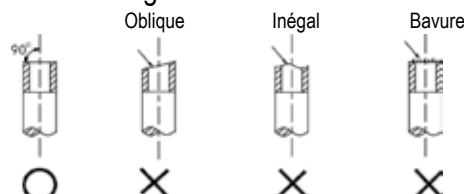
- Vérifiez si la différence de hauteur entre l'unité intérieure et l'unité extérieure et la longueur totale du tuyau de produit frigorigène répondent aux exigences du système.
- Les travaux de tuyauterie pour le produit frigorigène suivent l'installation des unités intérieure et extérieure. Raccordez le tuyau côté intérieur d'abord, puis côté extérieur.
- Gardez toujours les extrémités des tuyaux scellées en plaçant un bouchon ou en les obstruant avec du ruban adhésif durant l'installation, et ne les libérez QUE lorsque vous êtes prêt à les raccorder.
- Veillez à isoler tout tuyau extérieur, tout le long jusqu'au raccordement à l'intérieur de l'appareil. Tout tuyau apparent peut provoquer de la condensation ou des brûlures en cas de contact.
- Lorsque l'unité extérieure est en position élevée et que la différence de niveau est supérieure à 10 m, il est recommandé de fixer un coude de retour d'huile tous les 5 à 8 m dans la conduite de gaz. Il convient que le rayon de coude de retour d'huile mesure plus de 10cm.

4.1 ÉVASEMENT

REMARQUE

- Les outils nécessaires à l'évasement sont les suivants : un coupe-tuyau, un alésoir, un outil à évaser et un support de tuyau.
- Pour les modèles de réfrigérant R32, les points de connexion des tuyaux doivent être placés à l'extérieur de la pièce.

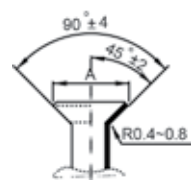
4.1.1 Utilisez un coupe-tuyau pour couper le tuyau à la longueur requise. Vérifiez que l'extrémité coupée conserve un angle de 90° avec le côté du tuyau.



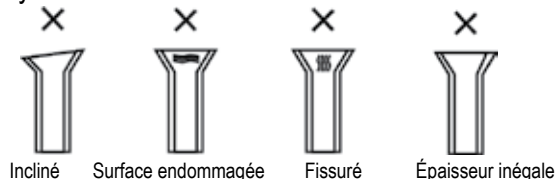
4.1.2 Utilisez un alésoir pour éliminer les bavures, avec la surface de coupe vers le bas afin que les particules ne pénètrent pas dans le tuyau.

4.1.3 Effectuez l'évasement en utilisant des outils à évaser comme indiqué ci-dessous.

Diamètre extérieur	A (mm)	
	Max.	Min.
Ø6,35mm	8,7	8,3
Ø9,52mm	12,4	12,0
Ø12,7mm	15,8	15,4
Ø15,88mm	19,0	18,6
Ø19,05mm	23,3	22,9



4.1.4 Vérifiez que l'évasement est effectué correctement. Vous trouverez des exemples de tuyaux mal évasés ci-dessous.

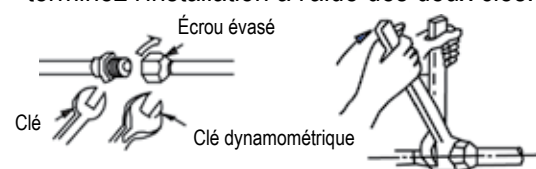


ATTENTION

- Si un brasage est nécessaire, travaillez avec un chalumeau à l'azote gazeux.
- Un couple incorrect peut entraîner des dommages au niveau de l'évasement ou des fuites de gaz.

4.2 TRAVAUX DE TUYAUTERIE

4.2.1 Alignez le centre pour serrer l'écrou évasé et terminez l'installation à l'aide des deux clés.



Taille du tuyau	Couple
Ø6,35mm	18~20 N.m
Ø9,52mm	25~26 N.m
Ø12,7mm	35~36 N.m
Ø15,88mm	45~47 N.m
Ø19,05mm	65~67 N.m

4.2.2 Choisissez le matériau isolant approprié pour le tuyau de produit frigorigène (min. 10 mm, isolation thermique en mousse C).

- Utilisez des tuyaux d'isolation thermique distincts pour les tuyaux de gaz et de liquide.
- L'épaisseur supérieure correspond à une norme de température intérieure de 27 °C et d'humidité de 80 %. Si l'installation s'effectue dans des conditions défavorables, par exemple dans un lieu proche d'une salle de bain, d'une cuisine et d'autres endroits similaires, renforcez l'isolation.
- Il convient que la température de résistance à la chaleur de l'isolation soit supérieure à 120°C.
- Utilisez des adhésifs sur la partie de raccordement de l'isolation pour empêcher la pénétration d'humidité.
- Réparez et recouvrez toute fissure éventuelle dans l'isolation, vérifiez tout particulièrement la partie pliée ou la suspension du tuyau.

4. TRAVAUX DE TUYAUTERIE POUR LE PRODUIT FRIGORIGÈNE

4.3 CONDUITE DE PRODUIT FRIGORIGÈNE

Remarque : le fluide frigorigène devra être chargé à partir du port de service de la soupape basse pression de l'unité extérieure.

R32*	Longueur minimale permettant de réduire les vibrations et les bruits anormaux	Longueur sans charge	Charge supplémentaire par mètre	
			Côté liquide : Ø6,35mm	Côté liquide : Ø9,52mm
	3m	5m	12g	24g

* Utilisez des outils adaptés au système R32.

REMARQUE

- La longueur du tuyau étendu a une incidence sur la capacité et l'efficacité énergétique de l'appareil.
- Le rendement nominal est testé sur la base d'un tuyau de 5 mètres.
- Lorsque la longueur du tuyau est supérieure à 5m, il convient que du produit frigorigène soit ajouté en fonction de la longueur de la tuyauterie.

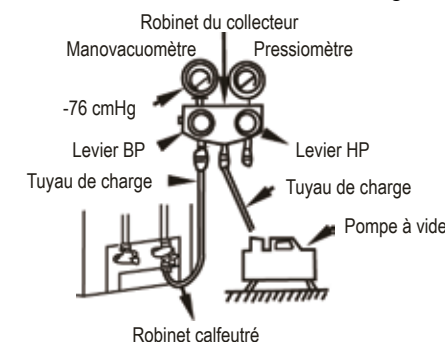
La longueur de tuyau max. ci-dessous est recommandée.

Modèles	Inverseur R32	
	Longueur de tuyau max. (m)	Différence de hauteur max. (m)
9K/12K	25	10

* Utilisez des outils adaptés au système R32.

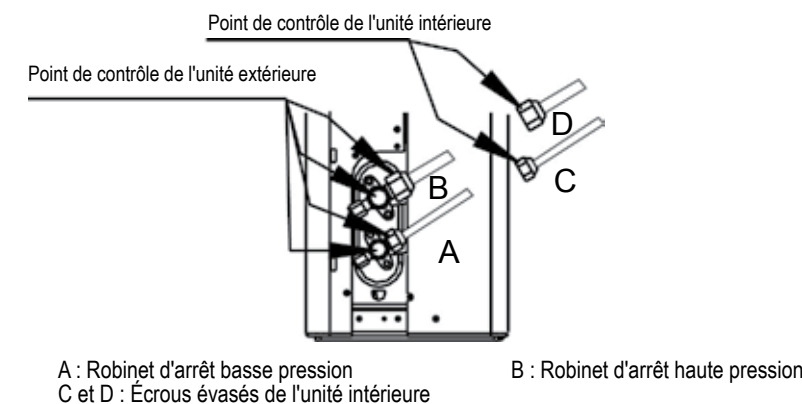
4.4 ÉVACUATION DE L'AIR

- Raccordez le tuyau de charge du manomètre du collecteur à l'orifice de sortie du robinet calfeutré côté gaz.
- Raccordez le tuyau de charge à l'orifice de la pompe à vide.
- Ouvrez complètement le levier BP du manomètre du collecteur.
- Actionnez la pompe à vide pour chasser l'air du système jusqu'à atteindre 76 cmHg.
- Fermez le levier BP du manomètre du collecteur.
- Ouvrez complètement la tige des robinets calfeutrés.
- Retirez le tuyau de charge de l'orifice de sortie.
- Serrez bien les bouchons du robinet calfeutré.



4.5 TEST D'ÉTANCHÉITÉ

Après les travaux de tuyauterie, vérifiez la partie de raccordement de chaque tuyau de produit frigorigène et confirmez l'absence de fuite de gaz en y versant de l'eau savonneuse ou en utilisant un détecteur de fuite propre aux produits frigorigènes HFC. Reportez-vous à l'illustration ci-dessous.



ATTENTION

- Tous les raccordements électriques doivent être effectués par des installateurs qualifiés et tous les câbles doivent être connectés selon le schéma de câblage.
- Effectuez la mise à la terre avant tout autre branchement électrique.
- Toutes les sources d'alimentation doivent être éteintes avant le travail de câblage. Ne remettez l'alimentation en marche qu'une fois que vous avez effectué toutes les vérifications de sécurité des câbles.
- Un disjoncteur et un interrupteur principal ou un fusible doivent être installés. Il convient que la capacité soit au moins égale à 1,5 fois celle du courant maximal du circuit.
- Vous devez disposer d'un circuit de dérivation individuel et d'une prise électrique dédiée à cet appareil.
- La section du conducteur est déterminée en fonction du code de câblage électrique local, régional et national. Consultez les codes de construction locaux et le code national de l'électricité pour connaître les exigences particulières.
- Si le cordon d'alimentation est endommagé, il doit être remplacé par le fabricant, son agent de service ou un technicien qualifié, afin d'éviter tout danger.
- L'appareil doit être connecté à l'alimentation principale au moyen d'un disjoncteur ou d'un interrupteur avec une séparation de contact d'au moins 3 mm sur tous les pôles. Il est conseillé d'installer un disjoncteur différentiel avec une intensité ne dépassant pas 30 mA.
- Cet appareil comporte une mise à la terre à des fins fonctionnelles uniquement.

Courant nominal de chaque modèle

Modèle	Courant nominal (A)	Calibre des fusibles (A)	Cordon d'alimentation (avec section min.)	Câble de connexion (avec section min.)
38QHP09E8S	10,0	16	3*1,5 mm ²	5*1,5 mm ²
38QHP12E8S	13,0	20	3*1,5 mm ²	5*1,5 mm ²

REMARQUE :

1. Tous les fils électriques doivent être d'une dimension conforme au code de câblage électrique local, régional et national. Consultez les codes de construction locaux et le code national de l'électricité pour connaître les exigences particulières.
2. Il convient que le cordon d'alimentation de l'appareil extérieur et le câble d'interconnexion soient de type H07RN-F.
3. Le courant nominal de l'appareil est indiqué sur la plaque signalétique.
4. La spécification du fusible de l'unité extérieure est T20A / 250VAC (applicable aux unités utilisant du fluide frigorigène R32 seulement) Le fusible est en céramique.

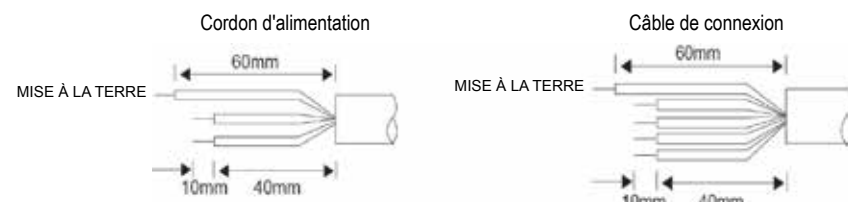
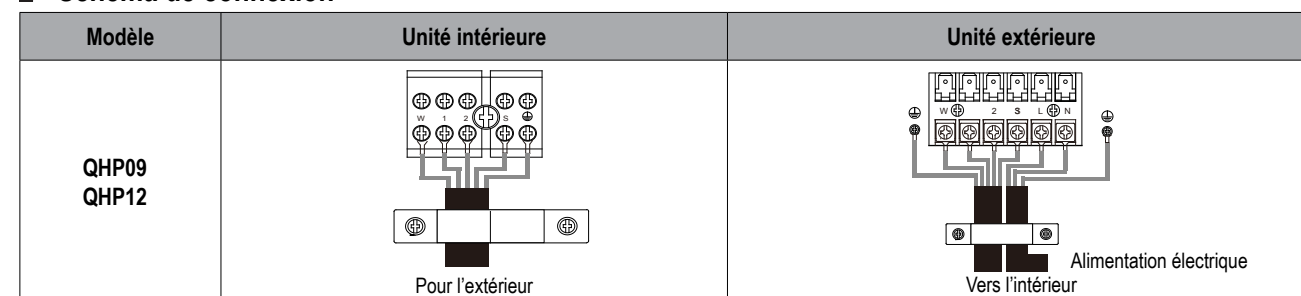


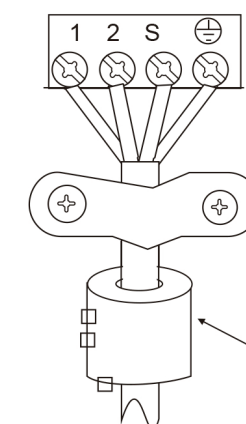
Schéma de connexion



Installation de la bague magnétique

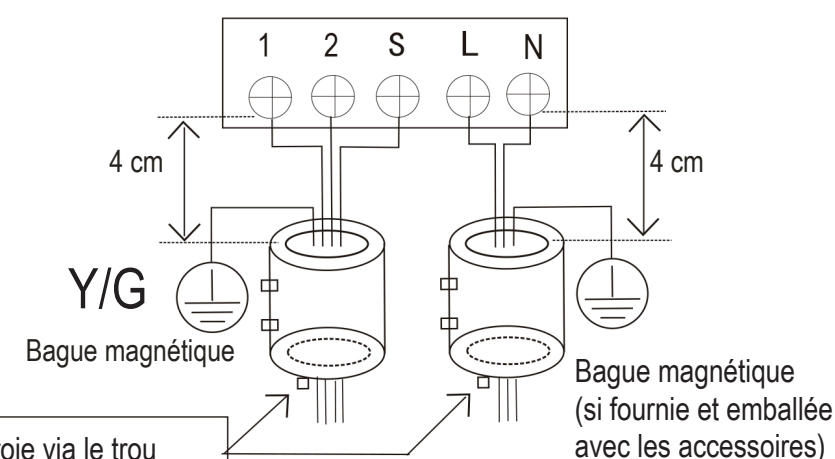
Remarque : Le bornier peut différer selon les modèles.

Unité intérieure



Bague magnétique
(si fournie et emballée avec les accessoires)
Passer la courroie via le trou de la bague magnétique pour la fixer au câble

Unité extérieure

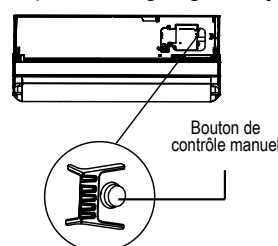


Passer la courroie via le trou de la bague magnétique pour la fixer au câble

6.1 LISTE DE VÉRIFICATION FINALE

Pour terminer l'installation, effectuez les vérifications suivantes avant le test de fonctionnement.

- Solidité de l'emplacement d'installation pour les deux unités, intérieure et extérieure. Non-obstruction de la sortie ou du retour d'air de l'unité.
- Étanchéité des raccords de tuyauterie de produit frigorigène. Absence de fuite.
- Raccordements électriques correctement effectués et mise à la terre de l'appareil.
- Vérification de la longueur totale de la tuyauterie et enregistrement du volume de produit frigorigène ajouté.
- Il convient que l'alimentation soit conforme à la tension nominale du climatiseur.
- Isolation de la conduite.
- Évacuation.



6.2 FONCTIONNEMENT MANUEL

Le fonctionnement manuel peut être lancé en appuyant sur le bouton manuel.

Appuyez plusieurs fois sur le bouton manuel pour changer de mode comme suit :

- Une fois = mode AUTO [chauffage, refroidissement ou ventilation, 24 °C et vitesse du ventilateur Auto].
- Deux fois = mode COOLING [passe en mode AUTO au bout de 30 minutes (utilisé principalement à des fins de test)].
- Trois fois = OFF.

6.3 TEST DE FONCTIONNEMENT

Régalez l'air conditionné sur le mode COOLING avec la télécommande (ou le bouton manuel) et vérifiez l'état de fonctionnement des unités intérieure et extérieure. En cas de dysfonctionnement, corrigez le problème conformément au chapitre relatif au dépannage dans le manuel d'entretien.

Unité intérieure

- Vérifiez que les boutons (comme ON/OFF, MODE, TEMPERATURE, FAN, SPEED, etc.) de la télécommande fonctionnent correctement.
- Vérifiez que le volet se déplace normalement.
- Vérifiez que la température ambiante est bien réglée.
- Vérifiez que les voyants lumineux sur l'écran d'affichage sont normaux.
- Vérifiez que le bouton manuel fonctionne bien.
- Vérifiez que l'évacuation s'effectue correctement.
- Vérifiez l'absence de vibration et de bruit anormal pendant le fonctionnement.
- Vérifiez que l'unité intérieure fonctionne bien en mode COOLING ou HEATING.

Unité extérieure

- Vérifiez l'absence de vibration et de bruit anormal pendant le fonctionnement.
- Vérifiez que le flux d'air, la condensation ou le bruit généré par le climatiseur ne dérange pas vos voisins.
- Vérifiez l'absence de fuite de produit frigorigène.

ATTENTION

- Lors du redémarrage de l'appareil, un délai d'environ 3 minutes sera appliqué pour protection.

7.1 VÉRIFICATIONS DANS LA ZONE

Avant toute intervention sur des systèmes contenant des produits frigorigènes inflammables, des contrôles de sécurité sont nécessaires afin de s'assurer que le risque d'inflammation est réduit au minimum. En cas de réparation du système de climatisation, les précautions suivantes doivent être prises avant toute intervention.

7.2 PROCÉDURE DE TRAVAIL

Les travaux doivent être entrepris dans le cadre d'une procédure contrôlée visant à réduire le risque de présence d'un gaz ou de vapeur inflammable pendant ces travaux.

7.3 ZONE DE TRAVAIL GLOBALE

L'ensemble du personnel de maintenance et plus généralement les personnes qui travaillent dans la zone doivent être au courant de la nature du travail entrepris. Tout travail dans un espace confiné doit être proscrit. La zone qui entoure l'espace de travail doit être cloisonnée. Assurez-vous de la sûreté des conditions au sein de la zone grâce au contrôle des matières inflammables.

7.4 VÉRIFICATION DE LA PRÉSENCE DE PRODUIT FRIGORIGÈNE

La zone doit faire l'objet d'une vérification à l'aide d'un détecteur approprié de produit frigorigène avant et pendant les travaux, afin de s'assurer que le technicien est informé sur les atmosphères potentiellement inflammables. Assurez-vous que l'équipement de détection de fuites utilisé est adapté aux produits frigorigènes inflammables, c.-à-d. absence d'étincelle, étanchéité suffisante ou sécurité intrinsèque.

7.5 PRÉSENCE D'UN EXTINCTEUR

Si des travaux à température élevée doivent être réalisés sur l'équipement de climatisation ou sur une partie annexe quelconque, un extincteur approprié doit se trouver à portée de main. Placez un extincteur à poudre sèche ou un extincteur à CO₂ à côté de la zone concernée.

7.6 ABSENCE DE SOURCE D'INFLAMMATION

Aucune personne effectuant des travaux en relation à un système de climatisation qui impliquent la mise à nu de tuyauteries contenant ou ayant contenu un produit frigorigène inflammable ne doit utiliser de source d'inflammation d'une manière qui risque de déclencher un incendie ou une explosion. Il convient que toutes les sources possibles d'inflammation, notamment une cigarette allumée, soient tenues suffisamment à l'écart du site d'installation, de réparation, de retrait ou d'élimination, phases durant lesquelles un produit frigorigène inflammable peut être libéré dans l'espace environnant. Avant de commencer les travaux, la zone autour de l'équipement doit être inspectée pour s'assurer de l'absence de tout produit inflammable et de tout risque d'inflammation. Des signes "DÉFENSE DE FUMER" doivent être mis en place.

7.7 ZONE VENTILÉE

Assurez-vous que la zone est à l'air libre ou suffisamment ventilée avant d'ouvrir le système ou de réaliser des travaux à température élevée. Un certain niveau de ventilation doit être maintenu pendant toute la période où les travaux sont réalisés. Il convient que la ventilation permette de dissiper le produit frigorigène libéré en toute sécurité et de préférence de le relâcher à l'extérieur dans l'atmosphère.

7.8 VÉRIFICATIONS DE L'ÉQUIPEMENT DE CLIMATISATION

Lorsque des composants électriques sont remplacés, ils doivent être adaptés au but pour lequel ils sont mis en place et respecter les spécifications correctes. Les instructions de maintenance et d'entretien du fabricant doivent être respectées à tout moment. En cas de doute, consultez le service technique du fabricant pour requérir son assistance. Les vérifications suivantes doivent s'appliquer aux installations utilisant des produits frigorigènes inflammables :

- la taille de la charge est adaptée à la taille de la pièce dans laquelle les parties contenant le produit frigorigène sont installées ;
- les appareils de ventilation et les orifices fonctionnent correctement et ne sont pas obstrués ;
- si un circuit de frigorigène indirect est utilisé, la présence de produit frigorigène doit être vérifiée dans les circuits secondaires ; le marquage de l'équipement doit être visible et lisible ;
- le marquage et les signes illisibles doivent être corrigés ;
- les tuyaux ou les composants de climatisation sont installés dans un endroit où ils ne sont pas susceptibles d'être exposés à des substances susceptibles corroder les composants contenant le produit frigorigène, sauf si ces composants sont fabriqués dans des matériaux intrinsèquement résistants à la corrosion ou sont correctement protégés contre une telle corrosion.

7.9 VÉRIFICATION DES APPAREILS ÉLECTRIQUES

Les opérations de réparation et de maintenance sur des composants électriques doivent comporter des contrôles de sécurité initiaux et des procédures d'inspection des composants. En cas de défaillance susceptible de compromettre la sécurité, aucune alimentation électrique ne doit être connectée au circuit jusqu'à réparation satisfaisante de la défaillance. Si la défaillance ne peut être corrigée immédiatement, mais, s'il est nécessaire de poursuivre l'opération en cours, une solution temporaire adéquate doit être utilisée. Cela doit être signalé au propriétaire de l'équipement afin que toutes les parties soient informées.

Les contrôles de sécurité initiaux doivent inclure :

- la décharge des condensateurs : elle doit être réalisée en toute sécurité afin d'éviter toute étincelle éventuelle ;
- l'absence de composant électrique sous tension et de câblage exposé pendant le chargement, la récupération ou la purge du système ;
- la vérification de la continuité de la mise à la terre.

7.10 RÉPARATIONS DES COMPOSANTS SCÉLLÉS

- 10.1 Pendant la réparation des composants scellés, toutes les alimentations électriques doivent être déconnectées de l'équipement sur lequel a lieu l'intervention avant tout retrait des couvercles scellés, etc. S'il est absolument nécessaire de disposer d'une alimentation électrique branchée à l'équipement pendant l'entretien, un dispositif de détection de fuite opérationnel en permanence doit être placé au point le plus critique afin d'avertir d'une telle situation potentiellement dangereuse.
- 10.2 Une attention particulière doit être portée aux points suivants afin de s'assurer que les travaux sur les composants électriques n'altèrent pas le boîtier en nuisant au niveau correct de protection. Il s'agit notamment des dommages sur les câbles, du nombre excessif de connexions, de bornes ne respectant pas les spécifications d'origine, des dommages sur les joints, de l'implantation incorrecte des presse-étoupe, etc.
- Assurez-vous que l'appareil est fixé solidement.
 - Assurez-vous que les joints ou que les matériaux d'étanchéité ne sont pas dégradés jusqu'à ne plus remplir leur fonction visant à éviter toute pénétration d'atmosphère inflammable. Les pièces de rechange doivent respecter les spécifications du fabricant.

REMARQUE : L'utilisation de joints de silicone risque de compromettre l'efficacité de certains types d'équipements de détection de fuites.

Il n'est pas nécessaire qu'avant toute intervention sur des composants à sécurité intrinsèque, ceux-ci soient isolés.

7.11 RÉPARATION DES COMPOSANTS À SÉCURITÉ INTRINSÈQUE

N'appliquez aucune charge permanente inductive ou capacitive au circuit sans vous être assuré qu'elle n'excèdera pas la tension et le courant admissibles pour l'équipement utilisé. Les composants à sécurité intrinsèque sont les seuls sur lesquels une intervention est autorisée alors qu'ils sont sous tension, en présence d'une atmosphère inflammable. Les caractéristiques assignées de l'appareil de test doivent être respectées. Ne remplacez les composants que par des pièces spécifiées par le fabricant. Les autres pièces peuvent provoquer l'inflammation du produit frigorigène dans l'atmosphère en cas de fuite.

7.12 CÂBLAGE

Vérifiez que le câblage n'est pas soumis à l'usure, à la corrosion, à une pression excessive ou à des vibrations, qu'il n'est pas en contact avec des arêtes vives ou qu'il n'est pas soumis à tout autre effet environnemental nuisible. La vérification doit également tenir compte des effets du vieillissement ou des vibrations continues provenant de sources telles que des compresseurs ou des ventilateurs.

7.13 DÉTECTION DES PRODUITS FRIGORIGÈNES INFLAMMABLES

Des sources potentielles d'inflammation ne doivent en aucun cas être utilisées pour rechercher ou détecter des fuites de produits frigorigènes. Une lampe haloïde (ou tout autre détecteur utilisant une flamme nue) ne doit pas être utilisée.

7.14 MÉTHODES DE DÉTECTION DES FUITES

Les méthodes suivantes de détection des fuites sont considérées comme acceptables pour les systèmes contenant des produits frigorigènes inflammables.

Des détecteurs électroniques de fuites doivent être utilisés pour détecter les produits frigorigènes inflammables, mais leur sensibilité peut ne pas être adéquate ou peut nécessiter un nouvel étalonnage. (L'équipement de détection doit être étalonné dans une zone exempte de produits frigorigènes.) Assurez-vous que le détecteur ne constitue pas une source potentielle d'inflammation et qu'il est adapté au produit frigorigène. L'équipement de détection de fuites doit être réglé à la limite inférieure d'inflammabilité du produit frigorigène et doit être étalonné sur le produit frigorigène employé, avec confirmation du pourcentage approprié de gaz (25% au maximum). Les fluides de détection de fuites peuvent être utilisés avec la plupart des produits frigorigènes, mais l'utilisation de détergents chlorés doit être évitée, car le chlore peut réagir avec le produit frigorigène et corroder le tuyau de cuivre. En cas de suspicion de fuite, toute flamme nue doit être retirée ou éteinte. Si une fuite de produit frigorigène est détectée et nécessite un brasage, tout le produit frigorigène doit être récupéré dans le système ou doit être isolé (par des robinets d'arrêt) dans une partie du système éloignée de la fuite. Le système doit ensuite être rincé à l'azote libre d'oxygène (ALO) avant et pendant le processus de brasage.

7.15 RETRAIT ET ÉVACUATION

Lorsque vous ouvrez un circuit de frigorigène pour effectuer des réparations ou pour tout autre motif, des procédures conventionnelles doivent être respectées. Toutefois, il est important de respecter les meilleures pratiques, dans la mesure où l'inflammabilité doit être prise en considération. La procédure suivante doit être respectée :

- retrait du produit frigorigène ;
- purge du circuit par un gaz inerte ;
- évacuation ;
- nouvelle purge par un gaz inerte ;
- ouverture du circuit par coupage ou brasage.

La charge de frigorigène doit être récupérée dans les cylindres de récupération corrects. Le système doit être rincé à l'azote libre d'oxygène pour garantir la sécurité de l'unité. Il peut être nécessaire de répéter ce processus. De l'air comprimé et de l'oxygène ne doivent pas être utilisés pour cette tâche.

Le rinçage doit être réalisé en rompant le vide dans le système avec de l'azote libre d'oxygène et en continuant le remplissage jusqu'à ce que la pression de fonctionnement soit atteinte, puis en le libérant jusqu'à la pression atmosphérique, et enfin en refaisant le vide. Ce processus doit être répété jusqu'à disparition complète du produit frigorigène dans le système.

Lorsque la charge d'azote libre d'oxygène finale est utilisée, le système doit être ventilé jusqu'à la pression atmosphérique afin de pouvoir entreprendre les travaux. Cette opération est absolument vitale si des opérations de brasage doivent intervenir sur la tuyauterie. Assurez-vous que l'orifice de la pompe à vide ne se trouve pas à proximité d'une source d'inflammation et qu'une ventilation est disponible.

7.16 PROCÉDURES DE CHARGEMENT

Outre les procédures conventionnelles de chargement, les exigences suivantes doivent être respectées :

- Assurez-vous que les différents produits frigorigènes ne sont exposés à aucune contamination lorsque vous utilisez un équipement de chargement. Les flexibles ou les conduites doivent être les plus courts possible, afin de réduire la quantité de produit frigorigène qu'ils contiennent.
- Les cylindres doivent être maintenus en position verticale.
- Assurez-vous que le système de climatisation est mis à la terre avant de le charger avec du produit frigorigène.
- Étiquetez le système lorsque le chargement est terminé (si ce n'est pas déjà fait).
- Des précautions extrêmes doivent être prises pour ne pas remplir le système de climatisation de façon excessive.
- Avant de recharger le système, sa pression doit être testée à l'azote libre d'oxygène. Le système doit être soumis à un test de fuites, après la fin du chargement, mais avant sa mise en service.
Un test de suivi des fuites

7.17 DÉMANTÈLEMENT

Avant d'entreprendre cette procédure, il est essentiel que le technicien ait une connaissance parfaite de l'équipement et de tous ses détails. Les bonnes pratiques recommandent que les produits frigorigènes soient récupérés en totalité et de façon sécurisée. Avant d'effectuer cette tâche, un échantillon d'huile et de produit frigorigène doit être prélevé.

Dans le cas où une analyse est requise avant la réutilisation du produit frigorigène récupéré. Il est essentiel qu'une alimentation électrique soit disponible avant d'entreprendre cette tâche.

- a) Ayez une bonne connaissance de l'équipement et de son bon fonctionnement.
- b) Isolez le système électriquement
- c) Avant de démarrer la procédure, assurez-vous que :
 - un équipement de manutention mécanique est disponible, le cas échéant, pour manipuler les cylindres de produits frigorigènes ;
 - tous les équipements de protection individuelle sont disponibles et sont utilisés correctement ;
 - le processus de récupération est supervisé à tout moment par une personne compétente ;
 - l'équipement de récupération et les cylindres sont conformes aux normes appropriées.
- d) Pompez le système de climatisation pour faire le vide, si possible.
- e) Si le vide n'est pas possible, réalisez un collecteur de sorte que le produit frigorigène puisse être retiré des différentes parties du système.
- f) Assurez-vous que le cylindre est situé sur les échelles avant le commencement de la récupération.
- g) Démarrez la machine de récupération et utilisez-la en respectant les instructions du fabricant.
- h) Ne remplissez pas les cylindres de façon excessive. (Pas plus de 80% de charge liquide en volume.)
- i) Ne dépassez pas la pression de fonctionnement maximale du cylindre, même de façon temporaire.
- j) Une fois les cylindres correctement remplis et le processus terminé, assurez-vous que les cylindres et que l'équipement sont rapidement retirés du site et que tous les robinets d'isolement de l'équipement sont fermés.
- k) Le produit frigorigène récupéré ne doit pas être chargé dans un autre système de climatisation sans avoir été nettoyé et contrôlé.

7.18 ÉTIQUETAGE

L'équipement doit être étiqueté pour indiquer qu'il a été démantelé et vidé de tout produit frigorigène. Cette étiquette doit être datée et signée. Assurez-vous que des étiquettes sont placées sur l'équipement pour indiquer qu'il contient un produit frigorigène inflammable.

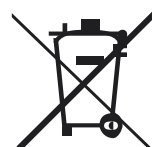
7.19 RÉCUPÉRATION

- Lorsque vous retirez le produit frigorigène d'un système, que ce soit pour des opérations d'entretien ou pour son démantèlement, la bonne pratique recommandée est que les produits frigorigènes soient récupérés en totalité et de façon sécurisée.
- Lorsque vous transférez des produits frigorigènes dans des cylindres, assurez-vous de n'employer que des cylindres de récupération de produits frigorigènes appropriés. Assurez-vous de disposer d'un nombre correct de cylindres, capables de contenir l'ensemble de la charge du système. Tous les cylindres devant être utilisés sont conçus pour le produit frigorigène récupéré et sont étiquetés pour indiquer ce dernier (c.-à-d. cylindres spéciaux pour la récupération du produit frigorigène). Les cylindres doivent être dotés d'une soupape de sûreté et des robinets d'arrêt associés doivent être en bon état de marche.
- Les cylindres de récupération vides sont évacués et, si possible, refroidis avant la récupération.
- L'équipement de récupération doit être en bon état de marche. Il doit être accompagné d'un ensemble d'instructions concernant l'équipement et être adapté à la récupération de produits frigorigènes inflammables. Une balance étalonnée doit en outre être disponible et en bon état de marche.
- Les flexibles doivent être dotés de raccords à désaccouplement exempts de fuites et en bon état. Avant d'utiliser la machine de récupération, vérifiez qu'elle est en bon état de marche, qu'elle a été entretenue correctement et que les éventuels composants électriques associés sont scellés afin d'éviter toute inflammation en cas de libération du produit frigorigène. Consultez le fabricant en cas de doute.
- Le produit frigorigène récupéré doit être retourné à son fournisseur dans le cylindre de récupération approprié, accompagné du bordereau de transfert des déchets correspondant. Ne mélangez pas les produits frigorigènes dans des unités de récupération, en particulier pas dans des cylindres.
- Si des compresseurs ou des huiles pour compresseur doivent être retirés, assurez-vous que leur évacuation s'est effectuée à un niveau acceptable pour être certain que le lubrifiant le contient aucune trace de produit frigorigène inflammable. Le processus d'évacuation doit s'effectuer avant de retourner le compresseur au fournisseur. Seul un chauffage électrique sur le corps du compresseur doit être utilisé pour accélérer ce processus. Lorsque de l'huile est vidangée d'un système, cette opération doit s'effectuer avec des précautions.

7.20 TRANSPORT, MARQUAGE ET STOCKAGE DES UNITÉS

1. Transport d'un équipement contenant des produits frigorigènes inflammables
Conformité aux réglementations relatives au transport
2. Marquage de l'équipement à l'aide de signes
Conformité aux réglementations locales
3. Élimination d'un équipement utilisant des produits frigorigènes inflammables
Conformité aux réglementations nationales
4. Stockage des équipements/appareils
Il convient que le stockage des équipements respecte les instructions du fabricant.
5. Stockage d'un équipement emballé (non vendu)
Il convient que l'emballage de protection en vue du stockage soit conçu de sorte que tout dommage mécanique subi par l'équipement à l'intérieur de cet emballage ne provoque pas de fuite de la charge de frigorigène.
Le nombre maximal d'éléments d'équipement pouvant être stockés ensemble sera déterminé par les réglementations locales.

È stato stabilito che questo prodotto è conforme alla Direttiva sulla bassa tensione (2014/35/UE) e alla Direttiva sulla compatibilità elettromagnetica (2014/30/UE) dell'Unione Europea.



Corretta eliminazione di questo prodotto (Attrezzatura elettrica ed elettronica di scarto)

(Quando si utilizza il climatizzatore nei Paesi europei, è necessario rispettare la seguente guida)

- Questo contrassegno sul prodotto o sulla relativa documentazione indica che l'attrezzatura di scarto elettrica e l'attrezzatura elettrica (WEEE come nella direttiva 2012/19/UE) non deve essere mischiata ai rifiuti domestici generali. È vietato smaltire questa attrezzatura tra i rifiuti domestici. Per lo smaltimento, ci sono diverse possibilità:
 1. L'amministrazione comunale ha stabilito sistemi di raccolta dove i rifiuti elettronici possono essere eliminati senza alcun costo a carico dell'utente.
 2. Quando viene acquistato un nuovo prodotto, il rivenditore riprenderà il vecchio prodotto senza costi aggiuntivi.
 3. Il produttore riprenderà la vecchia attrezzatura da smaltire senza alcun costo a carico dell'utente.
 4. Poiché i vecchi prodotti contengono risorse preziose, possono essere venduti a rivenditori di metallo di scarto. Lo smaltimento illegale dei rifiuti nei boschi e nei luoghi naturali mette a rischio la salute quando le sostanze pericolose finiscono nelle falde acquifere e, di conseguenza, nella catena alimentare.

Questo prodotto contiene gas fluorinati che rispettano il Protocollo di Kyoto

Nome chimico del gas	R32
Potenziale di riscaldamento globale (GWP) del gas	675

ATTENZIONE

1. Applicare l'etichetta del refrigerante allegata vicino al punto di ricarica e/o recupero.
2. Scrivere chiaramente la quantità di refrigerante ricaricato sull'etichetta del refrigerante mediante inchiostro indelebile.
3. Evitare l'emissione del gas fluorinato contenuto. Assicurarsi che il gas fluorinato non venga mai emesso nell'atmosfera durante l'installazione, la manutenzione o lo smaltimento. Quando viene rilevata l'eventuale perdita del gas fluorinato contenuto, la perdita verrà arrestata e riparata non appena possibile.
4. Solo il personale di manutenzione qualificato ha il permesso di accedere ed effettuare la manutenzione di questo prodotto.
5. La gestione del gas fluorinato in questo prodotto, ad esempio quando si sposta il prodotto o si ricarica il gas, deve rispettare la normativa CE N. 517/2014, relativa a particolari gas serra fluorinati, e tutte le legislazioni locali.
6. Se l'impianto è dotato di un sistema di rilevamento perdite, deve essere controllato almeno ogni 12 mesi.
7. Quando si verifica la presenza di eventuali perdite, si consiglia vivamente di annotare i dettagli relativi a tutti i controlli.

Unità interna	Unità esterna	Tensione nominale e Hz
42QHP09E8S*	38QHP09E8S*	220-240V~, 50Hz
42QHP12E8S*	38QHP12E8S*	

Il fabbricante si riserva il diritto di modificare le specifiche del prodotto senza preavviso.

INDICE

1. PREPARAZIONE ALL'INSTALLAZIONE	3
1.1 Precauzioni di sicurezza	3
1.2 Accessori	5
1.3 Scelta della posizione di installazione	6
2. INSTALLAZIONE DELL'UNITÀ INTERNA	7
2.1 Piastra di fissaggio dell'unità interna	7
2.2 Procedura di installazione	8
3. INSTALLAZIONE DELL'UNITÀ ESTERNA	9
3.1 Dimensioni di fissaggio dell'unità esterna	9
3.2 Spazio necessario per l'unità esterna	9
3.3 Collegamento dei cavi esterni	10
3.4 Installazione dell'unità esterna	10
3.5 Installazione del tubo di scarico per l'unità esterna	10
4. INTERVENTO SUL TUBO DEL REFRIGERANTE	11
4.1 Svasatura	11
4.2 Intervento sul tubo	11
4.3 Tubo del refrigerante	12
4.4 Evacuazione dell'aria	12
4.5 Verifica delle perdite	12
5. CABLAGGIO	13
6. CONTROLLO FINALE E FUNZIONAMENTO DI PROVA	14
6.1 Elenco dei controlli finali	14
6.2 Funzionamento manuale.....	14
6.3 Funzionamento di prova	14
7. INFORMAZIONI SULLA MANUTENZIONE	15



Attenzione: rischio di incendio solo per refrigeranti R32/R290

1.1 PRECAUZIONI DI SICUREZZA

- L'installazione, l'avviamento e la manutenzione dell'impianto di aria condizionata possono essere pericolosi a causa delle pressioni al sistema, dei componenti elettrici e dell'ubicazione dell'attrezzatura (tetti, strutture elevate, ecc.).
- Questa attrezzatura può essere installata, avviata e sottoposta a manutenzione solo da installatori e addetti alla manutenzione qualificati.
- Quando si opera sull'attrezzatura, osservare le precauzioni indicate nella documentazione e sulle etichette, sugli adesivi e sulle targhette applicati sull'attrezzatura.
- Rispettare tutte le precauzioni di sicurezza. Indossare occhiali di sicurezza e guanti da lavoro. Tenere vicino a sé un panno ignifugo e un estintore quando si effettua la saldatura con brasatura. Maneggiare, allestire e posizionare l'attrezzatura ingombrante con cautela.
- Leggere attentamente queste istruzioni e seguire tutte le avvertenze o le precauzioni comprese nella documentazione e applicate sull'unità. Consultare i codici di costruzione locali e il codice elettrico nazionale per i requisiti speciali.

AVVERTENZA

Questo simbolo indica la possibilità di lesioni personali o di morte.

- **Il gas refrigerante è più pesante dell'aria e sostituisce l'ossigeno. Una perdita considerevole potrebbe portare all'esaurimento dell'ossigeno, in particolare nelle cantine, e potrebbe verificarsi un rischio di asfissia con possibili lesioni gravi o conseguenze mortali.**
- **Quando il climatizzatore viene installato in una stanza piccola, adottare le misure necessarie per assicurarsi che l'entità delle perdite di refrigerante nella stanza non superi il limite massimo.**
- **Se si verificano perdite di gas refrigerante durante l'installazione, ventilare immediatamente l'area.**
Il gas refrigerante potrebbe produrre un gas tossico se entra in contatto con il fuoco proveniente ad esempio da un termoventilatore, da una stufa o da una cucina. L'esposizione a questo gas potrebbe causare gravi lesioni o la morte.
- **Scollegare l'alimentazione prima di tentare di effettuare qualsiasi intervento elettrico. Collegare correttamente il cavo.**
Un collegamento errato potrebbe provocare danni ai componenti elettrici.
- **Utilizzare i cavi specifici per i collegamenti elettrici e fissare saldamente i fili alle sezioni di collegamento dei terminali, in modo che non venga esercitata alcuna forza esterna sul terminale.**
- **Assicurarsi di predisporre una messa a terra.**
Non collegare a terra le unità con i tubi del gas, i tubi dell'acqua, i parafulmini o i fili del telefono. Una messa a terra incompleta potrebbe provocare un alto rischio di scosse elettriche e gravi lesioni o addirittura la morte.
- **Smaltire in sicurezza i materiali di imballaggio.**
I materiali di imballaggio, quali chiodi e altri componenti in metallo o legno, possono provocare tagli o altre ferite. Strappare e gettare le borse di imballaggio in plastica affinché i bambini non giochino con esse. I bambini che giocano con le borse di plastica rischiano il soffocamento.
- **Non installare l'unità nelle vicinanze di aree di concentrazione di gas combustibile o vapori di gas.**
- **Assicurarsi di usare i componenti di installazione forniti o gli esatti componenti di installazione specificati.**
L'uso di altri componenti potrebbe causare l'allentamento dell'unità, perdite di acqua, scosse elettriche, incendi o danni all'attrezzatura.
- **Quando si installa o si riposiziona l'impianto, non permettere all'aria o ad altre sostanze diverse dal refrigerante specificato (R410A) di entrare nel ciclo di refrigerazione.**
- **Non modificare mai questa unità rimuovendo una delle protezioni di sicurezza o bypassando uno degli interruttori di interblocco di sicurezza.**
- **Gli interventi sull'impianto elettrico devono essere effettuati secondo il manuale di installazione e i codici del cablaggio nazionali, statali e locali.**

AVVERTENZA

- **Utilizzare un circuito elettrico specifico. Non condividere mai la stessa presa elettrica con altre attrezzature.**
- **Per evitare il rischio dovuto alla reimpostazione involontaria dell'interruttore termico, questa attrezzatura non deve essere alimentata attraverso un dispositivo di commutazione esterno, come un timer, oppure collegata a un circuito che viene regolarmente acceso e spento mediante il dispositivo.**
- **Utilizzare i cavi prescritti per il collegamento elettrico con un isolamento protetto da una guaina di isolamento dotata dei valori di temperatura appropriati.**
L'utilizzo di cavi non conformi potrebbe provocare dispersioni di corrente, generazioni anomale di calore o incendi.
- **Non utilizzare procedure per accelerare il processo di sbrinamento o per pulire diverse da quelle raccomandate dal fabbricante.**
- **Il dispositivo deve essere conservato in una stanza senza sorgenti di accensione continuamente funzionanti (ad esempio: fiamme libere e dispositivi a gas o stufette elettriche in funzione)**
- **Non forare né bruciare.**
- **I refrigeranti possono essere privi di odore.**
- **Il dispositivo deve essere riposto in un'area ben ventilata dalle dimensioni specificate per il funzionamento.**
- **Per i modelli con refrigerante R32:**
Il dispositivo deve essere installato, azionato e conservato in una stanza con un'area del pavimento superiore a 4m².
Il dispositivo non deve essere installato in uno spazio non ventilato, se tale spazio è inferiore a 4m².
- **Per i modelli con refrigerante R290, le dimensioni minime richieste sono:**
Unità ≤9000Btu/h: 13m²
Unità >9000Btu/h e ≤12000Btu/h: 17m²
Unità >12000Btu/h e ≤18000Btu/h: 26m²
Unità >18000Btu/h e ≤24000Btu/h: 35m²

ATTENZIONE

Questo simbolo indica la possibilità di danni alle cose o di gravi conseguenze.

- **Per evitare lesioni personali, prestare attenzione quando si maneggiano componenti con bordi affilati.**
- **Non installare le unità interne o esterne in punti con condizioni ambientali particolari.**
- **Non installare in un luogo che possa amplificare il livello di rumorosità dell'unità o in cui il rumore e l'aria emessi possano disturbare i vicini.**
- **Effettuare correttamente gli interventi di drenaggio/collegamento dei tubi seguendo le istruzioni del manuale di installazione.**
Un drenaggio o un collegamento dei tubi non corretto potrebbe provocare perdite di acqua e danni agli oggetti.
- **Non installare il climatizzatore nei seguenti ambienti.**
 - Ambienti in cui sono presenti oli minerali o acido arsenico.
 - Ambienti in cui possono accumularsi i gas corrosivi (quali i gas dell'acido solforico) o combustibili (quali i diluenti), oppure in cui vengono conservate sostanze volatili combustibili.
 - Ambienti in cui sono presenti attrezzature che potrebbero generare campi elettromagnetici o emissioni sonore ad alta frequenza.
- **Il dispositivo deve essere conservato in modo tale da impedire il verificarsi di danni meccanici.**
- **Ogni persona che opera sul circuito del refrigerante deve essere in possesso di un certificato valido emesso da un ente di valutazione accreditato dal settore, che lo autorizzi a maneggiare i refrigeranti secondo le specifiche di valutazione riconosciute dal settore.**

1.2 ACCESSORI

I seguenti accessori vengono forniti in dotazione con l'unità. La tipologia e la quantità potrebbero variare in base alle specifiche.

Nome degli accessori	Q.tà (pezzi)	Forma	Nome degli accessori	Q.tà (pezzi)	Forma
Manuale	3		Telecomando	1	
Uscita di scarico	1		Batteria	2	
Guarnizione	1		Supporto del telecomando	1	
Piastra di installazione	1		Vite B	2	
Ancoraggio	5		Filtro piccolo	1	
Vite A	5		Anello magnetico (Alcune unità)	N*	

*Significa in base alla quantità effettiva

1.3 SCELTA DELLA POSIZIONE DI INSTALLAZIONE

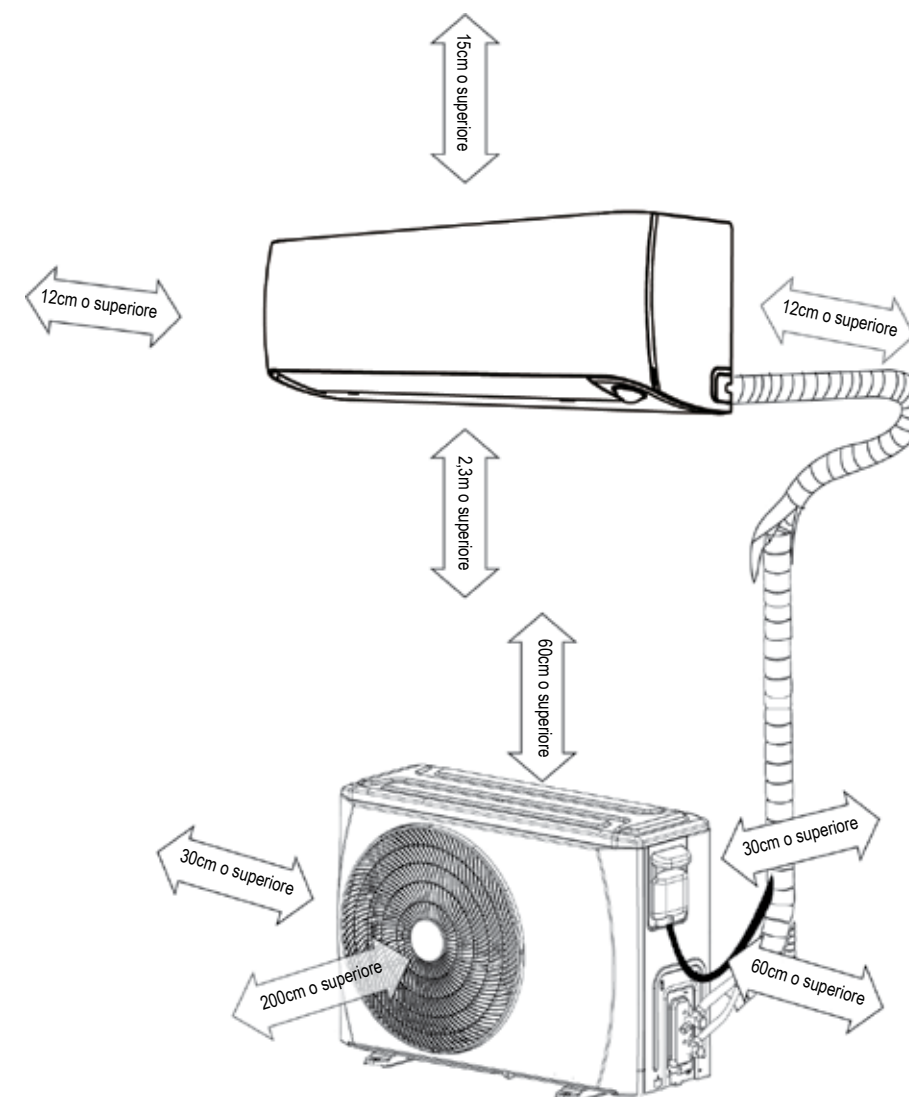
Unità interna

- Un punto in grado di sopportare il peso dell'unità interna.
- Non installare unità interne vicino a una fonte diretta di calore come la luce solare diretta o un'apparecchiatura di riscaldamento.
- Un luogo che rispetti le distanze specificate nella seguente figura.
- Le parti mobili del dispositivo devono essere installate/posizionate a un livello non inferiore a 2,3 m dal pavimento.

Unità esterna

- Un luogo comodo per l'installazione e non esposto a forte vento. Se l'unità viene esposta a forti venti, si consiglia di utilizzare un deflettore.
- Un punto in grado di sopportare il peso dell'unità esterna e in cui l'unità esterna può essere montata in posizione orizzontale.
- Un luogo che rispetti le distanze specificate nella seguente figura.

Non installare le unità interne o esterne in punti con condizioni ambientali particolari. Assicurarsi di predisporre uno spazio sufficiente per l'installazione e la manutenzione.



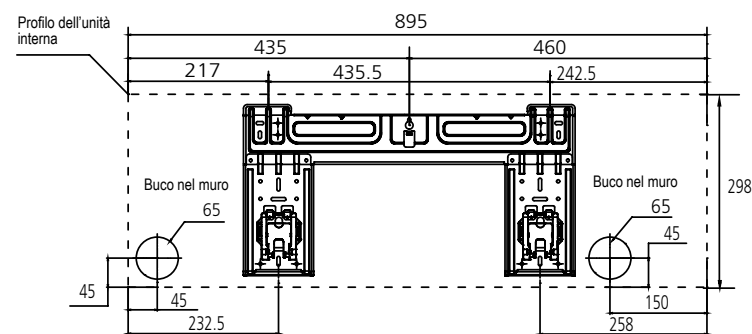
Nota: Rispettare le distanze dalla parete, dal soffitto, dalla recinzione o da altri ostacoli indicate dalle frecce.

È possibile rivolgere la tubazione verso la parte posteriore, sinistra, posteriore sinistra e destra.

Inserire il tappo di gomma (in dotazione) nel foro di scarico non utilizzato.

Tagliare il pannello mobile facendo riferimento alle dimensioni della tubazione. Pannello mobile

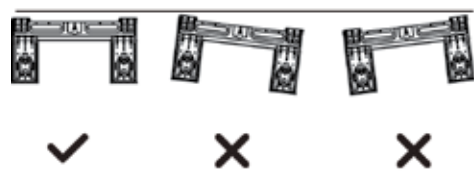
2.1 PIASTRA DI FISSAGGIO DELL'UNITÀ INTERNA



Nota: Quando la tubazione lato gas ha un diametro pari a Ø16mm (5/8 di pollice) o più, il foro della tubazione deve avere un diametro pari a 90 mm (3,54 pollici).

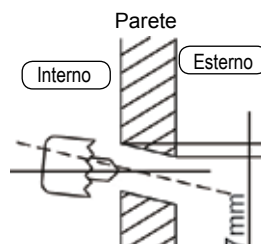
■ Installazione della piastra di fissaggio

Installare la piastra di fissaggio orizzontalmente e a filo della parete con cinque o più viti A.



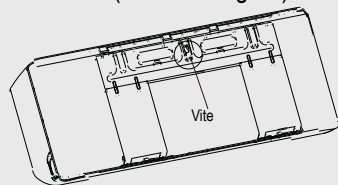
■ Effettuazione di un foro nella parete

Effettuare un foro da 65 mm o 90mm (a seconda dei modelli) sulla parete leggermente inclinata verso l'esterno.



Nota:

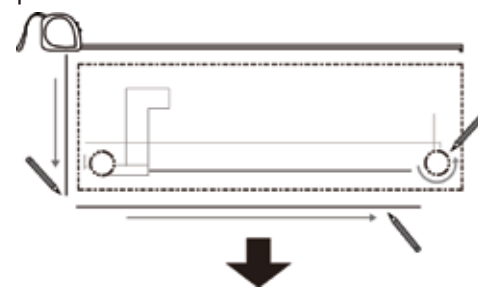
■ La piastra di installazione è fissata con una vite solamente per esigenze di spedizione. Rimuovere la vite prima di procedere all'installazione. (Vedere la figura)



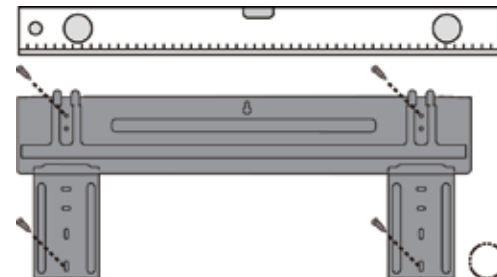
■ La piastra di fissaggio è simile ad una delle seguenti piastre, in base alle dimensioni dell'unità. I fori per gli ancoraggi devono essere di 5 mm.

2.2 PROCEDURA DI INSTALLAZIONE

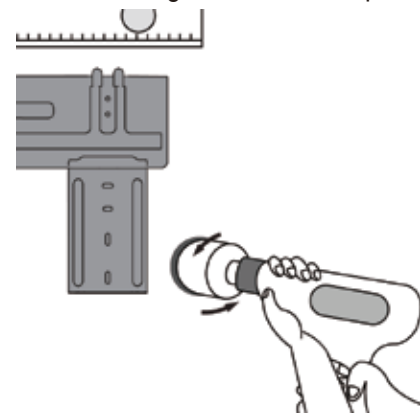
Punto 1: Stabilire la posizione del foro sulla parete



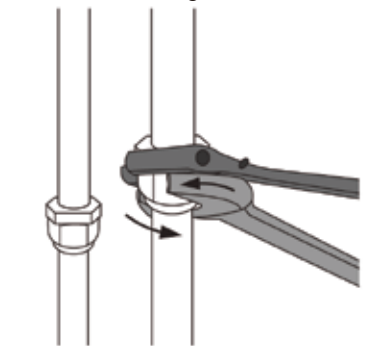
Punto 2: Installare la piastra di fissaggio



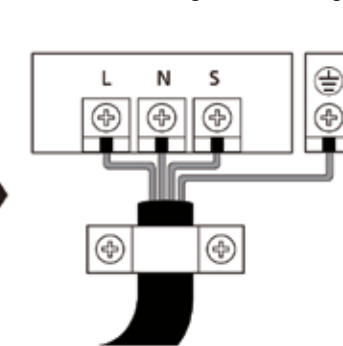
Punto 3: Eseguire il foro sulla parete



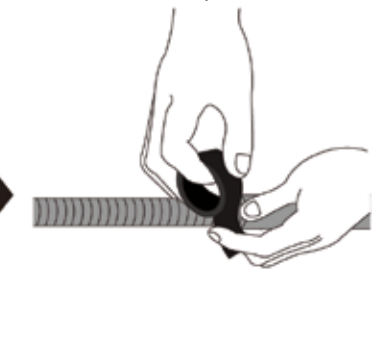
Punto 4: Collegare la tubazione



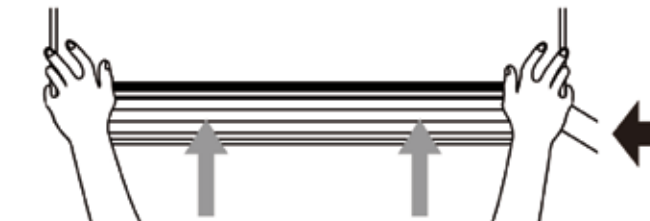
Punto 5: Collegare il cablaggio



Punto 6: Preparare il tubo di scarico



Punto 8: Fissare l'unità interna

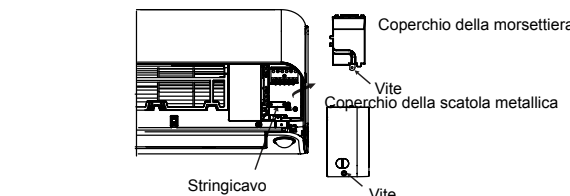
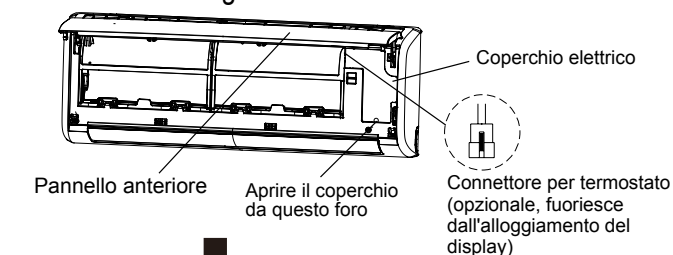


Punto 7: Avvolgere la tubazione e il cavo



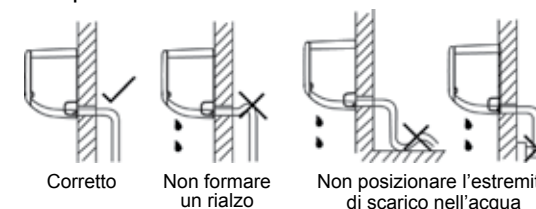
■ Collegamento dei cavi interni

1. Sollevare il pannello anteriore dell'unità interna.
2. Aprire il coperchio elettrico dell'unità interna inserendo un cacciavite nel foro, rimuovere manualmente il coperchio del blocco terminali e rimuovere la fascetta del cavo allentando le viti
3. Far passare i cavi di collegamento dal retro dell'unità interna e collegare al blocco dei terminali interni.



■ Drenaggio

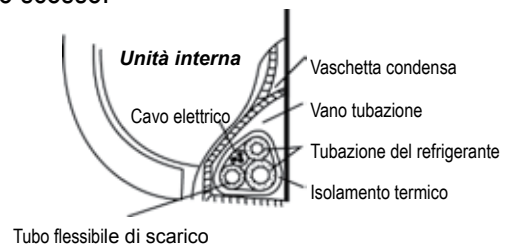
La tubazione di scarico non deve essere ostruita, deve essere rivolta verso il basso e deve essere isolata fino alla parete esterna.



■ Avvolgimento della tubazione

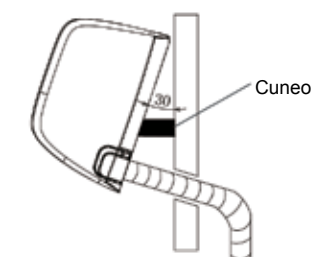
Per il corretto orientamento della tubazione del refrigerante, del cavo elettrico e delle tubazioni di scarico, fare riferimento alla seguente figura:

- Posizionare il tubo flessibile di scarico sotto la tubazione del refrigerante.
- Assicurarsi che il tubo flessibile di scarico non venga sollevato o scosso.



■ Fissaggio dell'unità interna

1. Intradare le tubazioni del refrigerante attraverso il foro nella parete.
2. Appendere l'unità interna sul gancio superiore della piastra di fissaggio, quindi premere la parte inferiore dell'unità interna sulla parete per abbassare il gancio.
3. Spostare l'unità interna da un lato all'altro, verso l'alto e verso il basso, per verificare che sia agganciata saldamente.



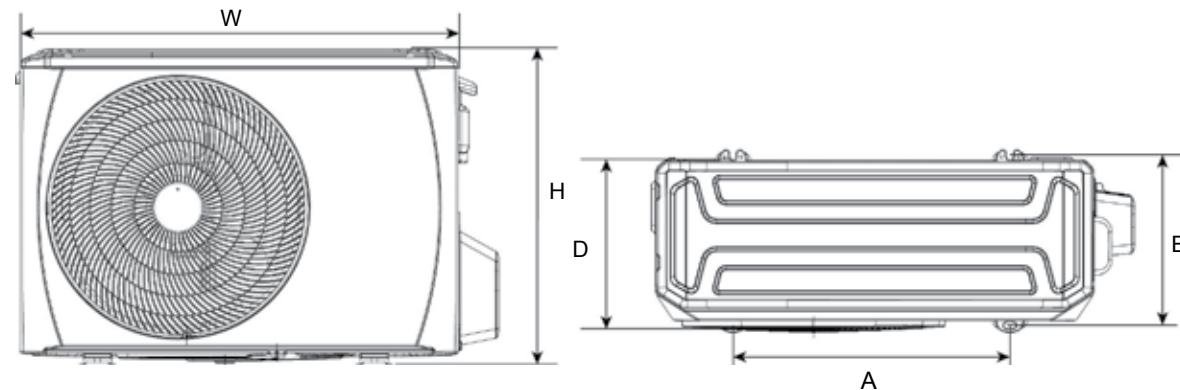
⚠ ATTENZIONE

- Le parti del connettore del tubo di collegamento devono essere posizionate all'esterno del locale.

3. INSTALLAZIONE DELL'UNITÀ ESTERNA

3.1 DIMENSIONI DI FISSAGGIO DELL'UNITÀ ESTERNA

Le dimensioni di fissaggio variano tra le diverse unità esterne.
Il diametro della testa del bullone di fissaggio deve essere superiore a 12mm.

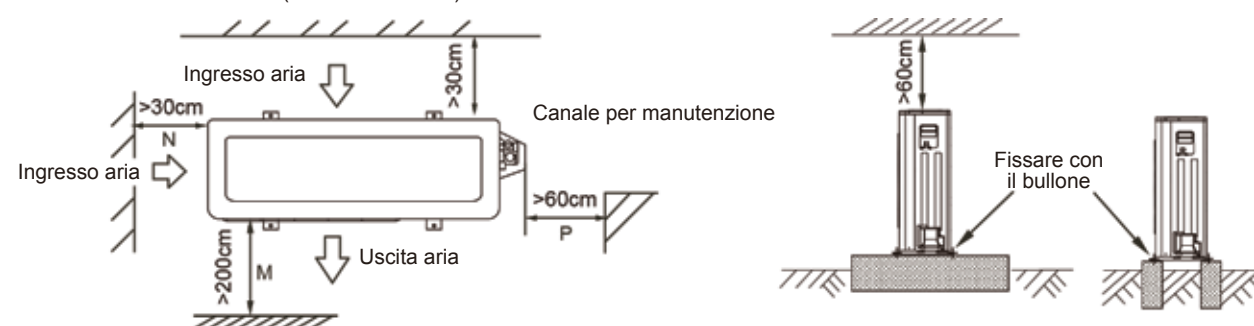


Dimensioni unità esterna (mm)			Dimensioni di fissaggio (mm)		
Unità esterna	W	H	D	A	B
38QHP09E8S 38QHP12E8S	800	554	333	515	340

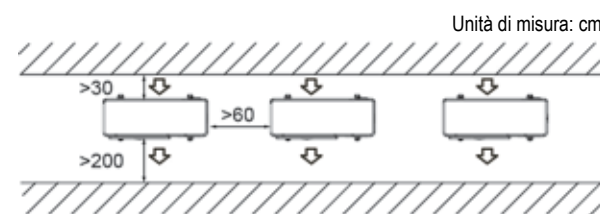
3.2 SPAZIO NECESSARIO PER L'UNITÀ ESTERNA

Installazione dell'unità singola

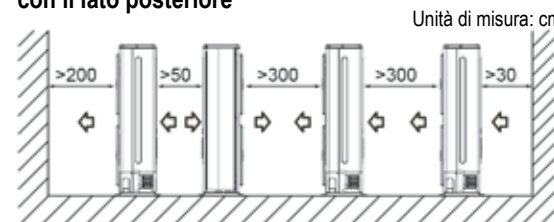
(Parete o ostacolo)



Collegare le unità in parallelo



Collegare le unità accoppiando il lato anteriore con il lato posteriore



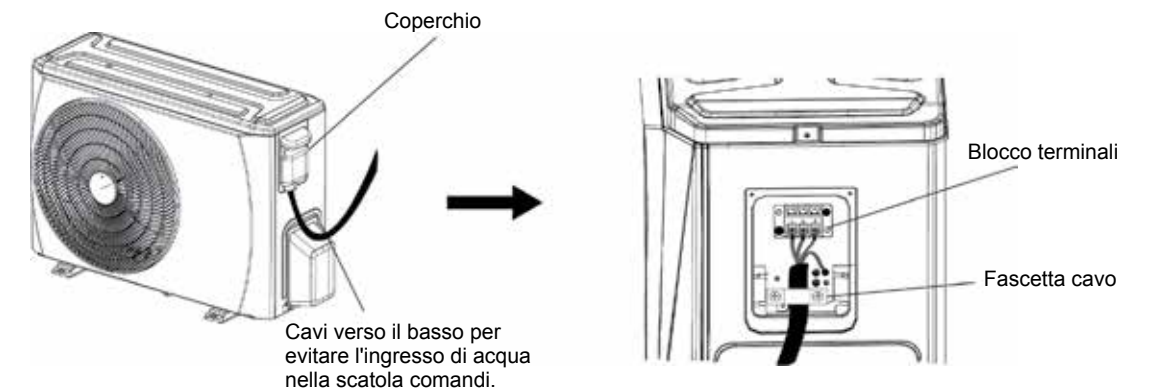
ATTENZIONE

- Nelle regioni nevose e caratterizzate da temperature fredde, evitare di installare l'unità esterna in aree che possono essere ricoperte da neve. Se sono previste grandi nevicate, è necessario installare un supporto per ghiaccio o neve e/o un deflettore per proteggere l'unità dall'accumulo di neve e/o impedire l'ostruzione dell'ingresso dell'aria.

3. INSTALLAZIONE DELL'UNITÀ ESTERNA

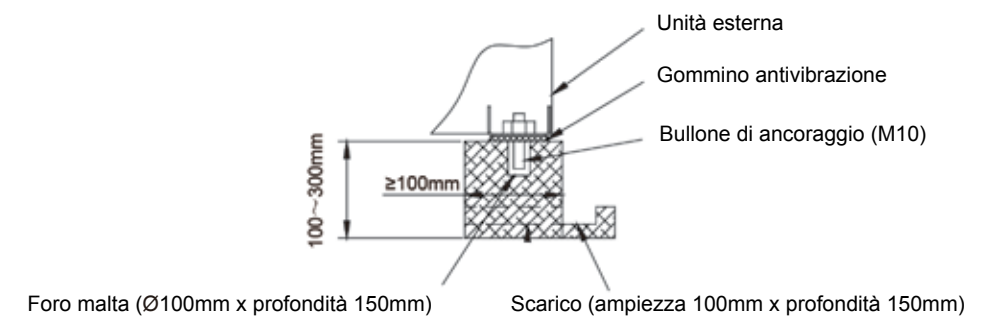
3.3 COLLEGAMENTO DEI CAVI ESTERNI

- Rimuovere il coperchio elettrico e la fascetta del cavo allentando le viti.
- Collegare i cavi al blocco dei terminali seguendo la stessa sequenza all'unità interna.



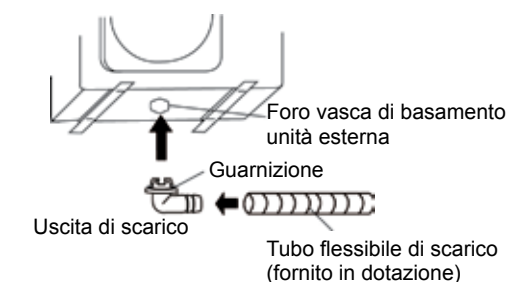
3.4 INSTALLAZIONE DELL'UNITÀ ESTERNA

- Prima dell'installazione, controllare la resistenza e la posizione orizzontale della base in modo da evitare che si verifichino rumori anomali.
- Fissare saldamente la base con i bulloni di ancoraggio (M10) per impedirne il crollo.
- Installare i gommini di fondazione e i gommini antivibrazione per sostenere la superficie inferiore della parte di fissaggio, la quale si trova a contatto con la piastra inferiore dell'unità esterna.



3.5 INSTALLAZIONE DEL TUBO DI SCARICO PER L'UNITÀ ESTERNA

- Collegare l'uscita di scarico con un tubo di scarico di prolunga.
- Posizionare la guarnizione sull'uscita di scarico.
- Inserire l'uscita di scarico nel foro della vasca della base dell'unità esterna, quindi ruotare di 90 gradi per fissare saldamente.



4. INTERVENTO SUL TUBO DEL REFRIGERANTE

4. INTERVENTO SUL TUBO DEL REFRIGERANTE

ATTENZIONE

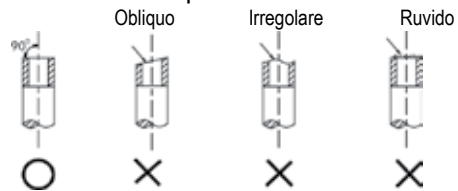
- Controllare se la differenza di altezza tra l'unità interna e l'unità esterna e la lunghezza totale del tubo del refrigerante sono conformi alle specifiche.
- Gli interventi sul tubo del refrigerante sono conformi all'installazione dell'unità interna e dell'unità esterna. Collegare il tubo prima sul lato interno, quindi sul lato esterno.
- Mantenere sempre sigillate le estremità della tubazione utilizzando un tappo oppure coprendole con il nastro adesivo e NON rimuovere i tappi e il nastro adesivo finché non si è sicuri di essere pronti al collegamento della tubazione.
- Assicurarsi di isolare le tubazioni in tutta la loro lunghezza all'interno dell'unità. Le tubazioni esposte potrebbero causare la formazione di condensa oppure bruciature, se vengono toccate.
- Quando l'unità esterna si trova nella posizione più alta e la differenza di livello supera i 10m, è consigliabile posizionare un raccordo a gomito di ritorno olio ogni 5~8m nel tubo del gas. Il raggio del raccordo a gomito di ritorno olio deve essere superiore a 10cm.

4.1 SVASATURA

NOTA

- Gli attrezzi richiesti per la svasatura sono un tagliatubi, un alesatore, un attrezzo per la svasatura e un supporto per tubi.
- Per i modelli di refrigerante R32, i punti di connessione del tubo devono essere posizionati all'esterno del locale.

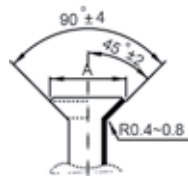
- 4.1.1 Utilizzare il tagliatubi per tagliare il tubo alla lunghezza richiesta. Assicurarsi che il bordo tagliato sia a 90° rispetto al lato della tubazione.



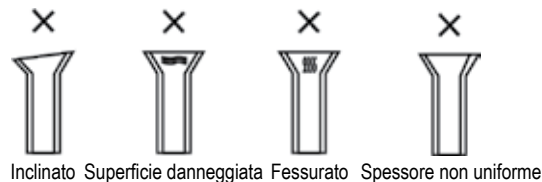
- 4.1.2 Utilizzare un alesatore per rimuovere le bavature rivolgendo la superficie di taglio verso il basso, in modo che i trucioli non entrino nel tubo.

- 4.1.3 Eseguire la svasatura utilizzando gli appositi attrezzi come indicato di seguito.

Diametro esterno	A(mm)	
	Max	Min
Ø6,35 mm	8,7	8,3
Ø9,52 mm	12,4	12,0
Ø12,7 mm	15,8	15,4
Ø15,88 mm	19,0	18,6
Ø19,05 mm	23,3	22,9



- 4.1.4 Controllare se la svasatura è stata eseguita correttamente. Di seguito sono riportati esempi di svasature errate delle tubazioni.

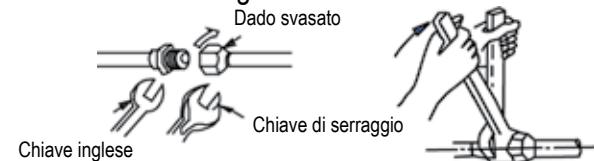


ATTENZIONE

- Se è necessaria la brasatura, utilizzare un getto di gas di azoto.
- Una coppia di serraggio errata potrebbe danneggiare la svasatura o provocare perdite di gas.

4.2 INTERVENTO SULLA TUBAZIONE

- 4.2.1 Allineare il centro per serrare il dado svasato e rifinire il collegamento mediante due chiavi inglesi.



Dimensioni del tubo	Coppia di serraggio
Ø6,35 mm	18 ~ 20 N.m
Ø9,52 mm	25 ~ 26 N.m
Ø12,7 mm	35 ~ 36 N.m
Ø15,88 mm	45 ~ 47 N.m
Ø19,05 mm	65 ~ 67 N.m

- 4.2.2 Selezionare il materiale di isolamento appropriato per il tubo del refrigerante. (Min. 10mm, schiuma isolante termica C)

- Utilizzare tubi termoisolanti separati per i tubi del gas e del liquido.
- Lo spessore sopra indicato corrisponde al valore standard della temperatura interna pari a 27°C e dell'umidità pari all'80%. Se l'installazione avviene in condizioni non favorevoli, ad esempio vicino a bagni, cucine o altri ambienti simili, rinforzare l'isolante.
- La temperatura di resistenza al calore dell'isolante deve essere superiore a 120°C.
- Utilizzare gli adesivi sulla parte di collegamento dell'isolante per evitare l'ingresso di umidità.
- Riparare e ricoprire eventuali fessurazioni dell'isolante, controllando soprattutto la parte piegata o sospesa della tubazione.

4.3 TUBO DEL REFRIGERANTE

Nota: il refrigerante deve essere caricato dalla porta di servizio sulla valvola di bassa pressione dell'unità esterna.

	Lunghezza minima per ridurre le vibrazioni e i rumori anomali	Lunghezza senza carico	Carico aggiuntivo per metro	
			Lato liquido: Ø6,35mm	Lato liquido: Ø9,52mm
R32*	3m	5m	12g	24g

* Si prega di usare gli strumenti per l'impianto R32.

NOTA

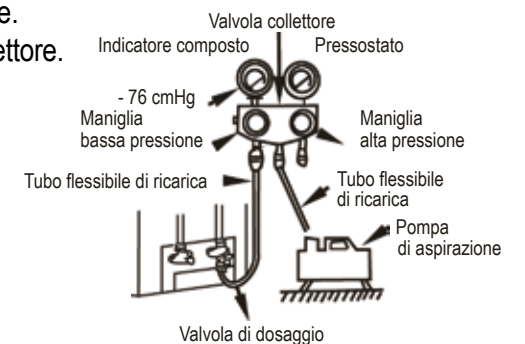
- La lunghezza estesa della tubazione influenzerà la capacità e l'efficienza energetica dell'unità.
- L'efficienza nominale viene testata in base alla lunghezza della tubazione di 5 metri.
- Quando la lunghezza della tubazione è superiore a 5m, è necessario aggiungere il refrigerante in base alla lunghezza stessa.
- La lunghezza massima consigliata della tubazione è indicata di seguito.

Modelli	Inverter R32	
	Lunghezza (m) massima tubazione	Differenza massima (m) di altezza
9K/12K	25	10

* Si prega di usare gli strumenti per l'impianto R32.

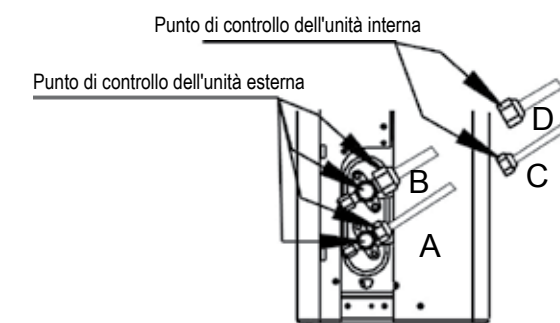
4.4 EVACUAZIONE DELL'ARIA

- Collegare il tubo flessibile di ricarica dall'indicatore del collettore alla luce di manutenzione della valvola di dosaggio lato gas.
- Collegare il tubo flessibile di ricarica alla luce della pompa di aspirazione.
- Aprire completamente la maniglia bassa pressione dell'indicatore del collettore.
- Azionare la pompa di aspirazione per evacuare l'aria dal sistema fino a -76cmHg.
- Chiudere la maniglia bassa pressione dell'indicatore del collettore.
- Aprire completamente gli steli delle valvole di dosaggio.
- Rimuovere il tubo flessibile di ricarica dalla luce di manutenzione.
- Fissare saldamente i tappi della valvola di dosaggio.



4.5 VERIFICA DELLE PERDITE

Al termine degli interventi sulle tubazioni, controllare la parte di collegamento di ciascun tubo del refrigerante e verificare che non ci siano perdite di gas applicandovi dell'acqua saponata oppure utilizzando un rilevatore di perdite specifico per refrigeranti HFC. Fare riferimento alla seguente figura.



A: Valvola di arresto bassa pressione
B: Valvola di arresto alta pressione
C e D: Dadi svasati unità interna

ATTENZIONE

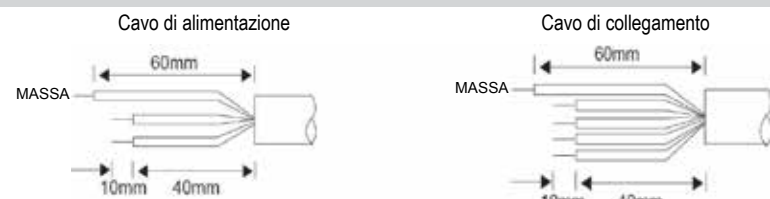
- Tutti i collegamenti elettrici devono essere effettuati da installatori qualificati e il collegamento dei cavi deve rispettare gli schemi elettrici.
- Predisporre il collegamento a terra prima di procedere ai collegamenti elettrici.
- Tutte le fonti di alimentazione devono essere disattivate prima di intervenire sui cablaggi e l'alimentazione non deve essere inserita prima di aver controllato attentamente tutti i cablaggi.
- È necessario installare un commutatore di accensione e un interruttore automatico o un fusibile la cui capacità deve essere superiore di 1,5 volte alla corrente massima nel circuito.
- Deve essere disponibile solo un circuito a ramificazione singola e una presa singola usata solo per questa attrezzatura.
- La sezione trasversale del cavo dipende dalla corrente nominale e dal codice del cablaggio elettrico nazionale, statale e locale. Consultare i codici di costruzione locali e il codice elettrico nazionale per i requisiti speciali.
- Se il cavo di alimentazione è danneggiato, deve essere sostituito dal fabbricante, dall'addetto alla manutenzione o da persone ugualmente qualificate per impedire eventuali rischi.
- L'unità deve essere collegata all'alimentazione principale per mezzo di un interruttore automatico o di un interruttore con una separazione del contatto di almeno 3 mm in tutti i poli. È consigliabile l'installazione di un dispositivo di corrente residua (RCD) con una corrente di funzionamento residua nominale che non superi i 30 mA.
- In questo apparecchio è integrato un collegamento a massa a puro scopo funzionale.

Corrente nominale di ogni modello

Modello	Corrente nominale(A)	Potenza fusibile(A)	Cavo di ingresso alimentazione (con sezione trasversale min.)	Cavo di collegamento (con sezione trasversale min.)
38QHP09E8S	10,0	16	3*1,5 mm ²	5*1,5 mm ²
38QHP12E8S	13,0	20	3*1,5 mm ²	5*1,5 mm ²

AVVISO:

1. Tutti i cavi di alimentazione devono avere le dimensioni indicate dal codice del cablaggio nazionale, statale e locale. Consultare i codici di costruzione locali e il Codice elettrico nazionale per i requisiti speciali.
2. Il cavo di alimentazione esterna e il cavo di interconnessione devono essere di tipo H07RN-F.
3. La corrente nominale dell'apparecchio è indicata sulla relativa targhetta.
4. La specifica del fusibile dell'unità esterna è T20A/250 V CA (solo per le unità con refrigerante R32) Nota: il fusibile è in ceramica.

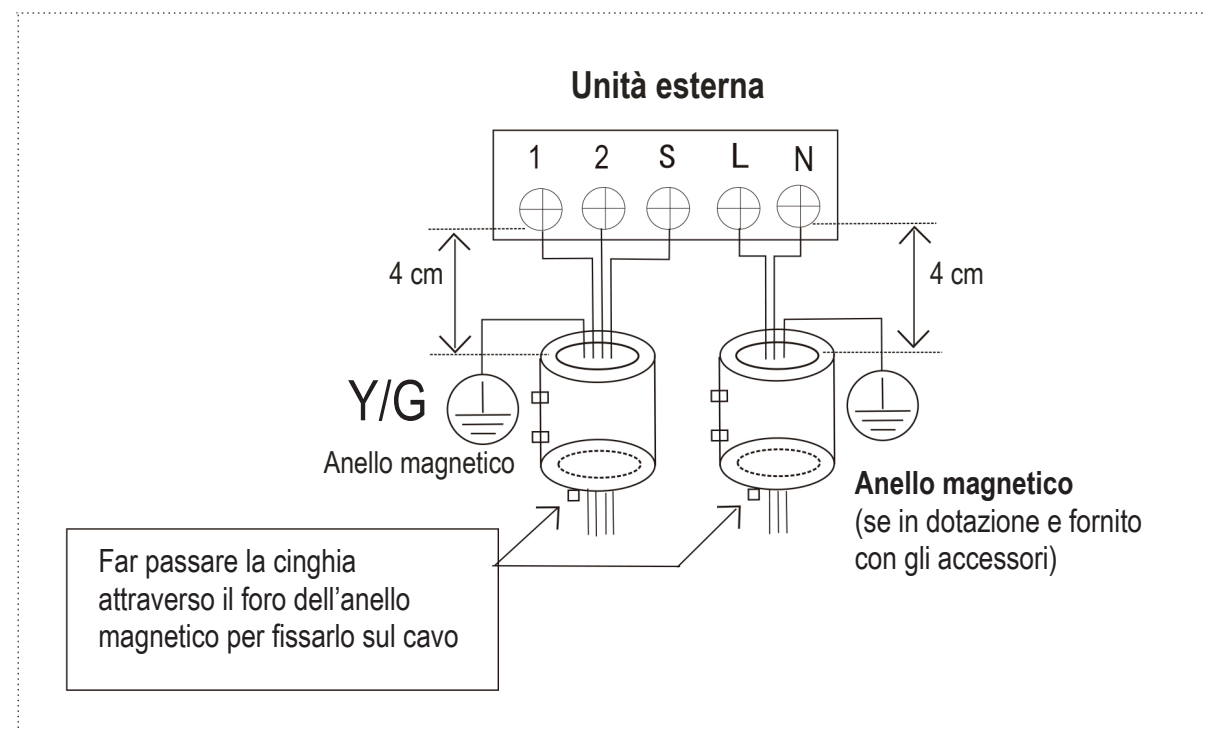
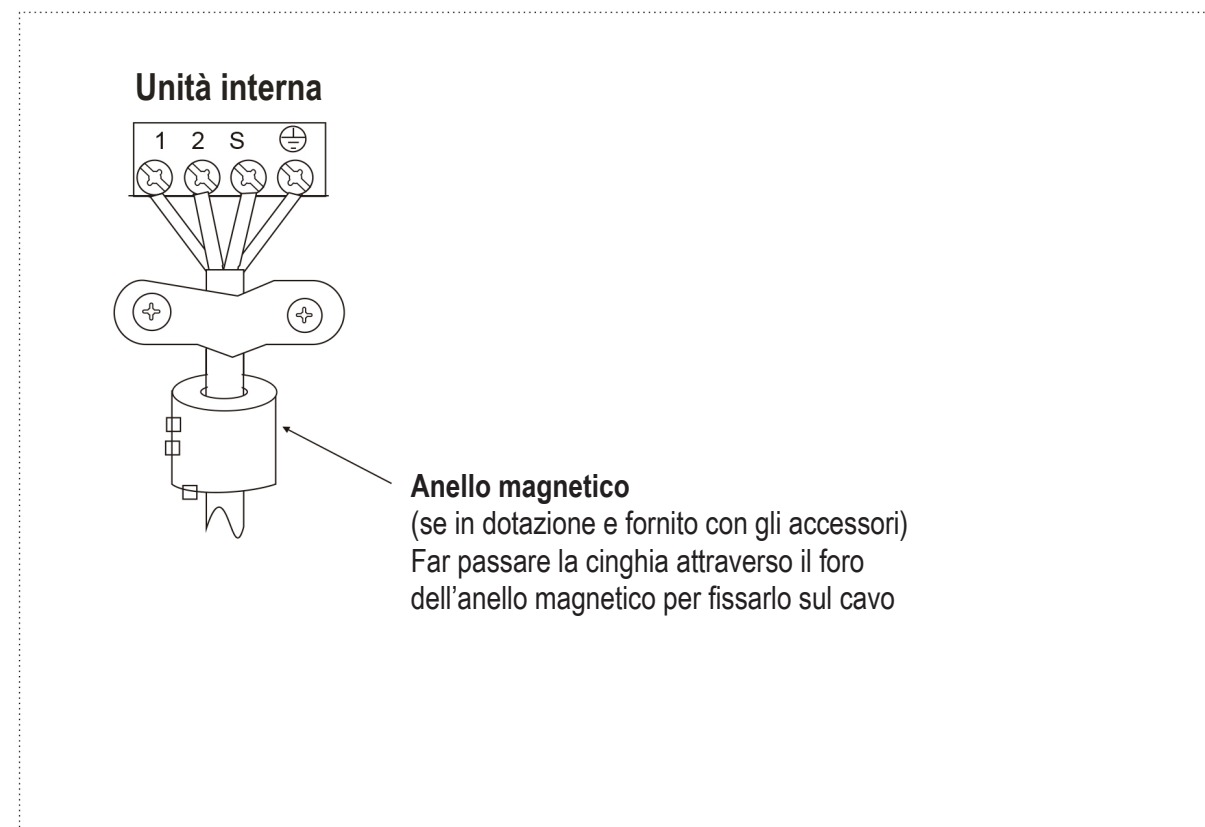


Schema di collegamento

Modello	Unità interna	Unità esterna
QHP09 QHP12		

Installazione dell'anello magnetico

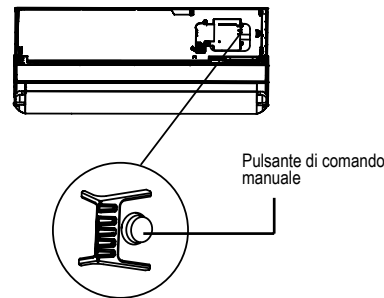
Nota: Il blocco terminali potrebbe essere differente in base ai modelli.



6.1 ELENCO DEI CONTROLLI FINALI

Per completare l'installazione, effettuare i seguenti controlli prima del funzionamento di prova.

- Verificare la resistenza del punto di installazione sia per il lato interno sia per il lato esterno e controllare che non ci siano ostruzioni nell'uscita o nel ritorno dell'aria dell'unità.
- Verificare la tenuta del collegamento delle tubazioni del refrigerante e controllare che non ci siano perdite.
- Verificare che i collegamenti elettrici siano stati completati correttamente e che sia stata predisposta una messa a terra dell'unità.
- Controllare la lunghezza totale delle tubature e annotare il volume del refrigerante aggiunto
- L'alimentazione deve essere conforme alla tensione nominale del climatizzatore
- Isolamento della tubazione
- Drenaggio



6.2 FUNZIONAMENTO MANUALE

È possibile accedere al funzionamento manuale premendo il relativo pulsante.

Premere il pulsante ripetutamente per cambiare le modalità come segue:

- Una volta = modalità AUTOMATICA [riscaldamento, raffreddamento o ventola, 24°C e velocità ventola automatica].
- Due volte = Modalità COOL [passaggio alla modalità AUTO dopo 30 minuti (usata principalmente per il funzionamento di prova)]
- Tre volte = OFF

6.3 FUNZIONAMENTO DI PROVA

Portare il climatizzatore nella modalità di RAFFREDDAMENTO con il telecomando (oppure il pulsante) e controllare il funzionamento dell'unità interna e dell'unità esterna. Se si verificano guasti, risolverli seguendo le indicazioni del capitolo "Ricerca guasti" nel "Manuale di assistenza".

Unità interna

- Controllare se i pulsanti (ON/OFF, MODE, TEMPERATURE, FAN SPEED ecc.) sul telecomando funzionano correttamente.
- Controllare se l'aletta si muove normalmente.
- Controllare se la temperatura dell'ambiente è regolata correttamente.
- Controllare se le spie sul display funzionano correttamente.
- Controllare se il pulsante "manuale" funziona correttamente.
- Controllare se il drenaggio avviene correttamente.
- Controllare se si verificano vibrazioni o rumori anomali durante il funzionamento.
- Controllare se l'unità interna funziona correttamente nella modalità di raffreddamento o di riscaldamento.

Unità esterna

- Controllare se si verificano vibrazioni o rumori anomali durante il funzionamento.
- Controllare se il flusso di aria, i rumori o la condensa generati dal climatizzatore disturbano i vicini.
- Controllare se vi sono perdite di refrigerante.

ATTENZIONE

- Quando l'unità viene riavviata, vi sarà un ritardo di circa 3 minuti per proteggere l'unità stessa.

7.1 CONTROLLI SULL'AREA

Prima di iniziare a lavorare su sistemi che contengono refrigeranti infiammabili, sono necessari controlli di sicurezza per ridurre al minimo i rischi di incendio. Prendere le seguenti precauzioni prima di effettuare interventi di riparazione sull'impianto.

7.2 PROCEDURA DI LAVORO

I lavori devono essere controllati al fine di ridurre al minimo il rischio di presenza di gas infiammabili o vapore mentre viene effettuato l'intervento.

7.3 INFORMAZIONI GENERALI SULL'AREA DI LAVORO

Tutto il personale addetto alla manutenzione deve essere informato della natura del lavoro effettuato. Evitare di operare in spazi ristretti. La zona attorno allo spazio di lavoro deve essere delimitata. Garantire che l'area sia stata messa in sicurezza mediante il controllo del materiale infiammabile.

7.4 CONTROLLO DELLA PRESENZA DI REFRIGERANTE

L'area deve essere controllata con un rilevatore di refrigerante appropriato prima e durante il lavoro, per garantire al tecnico di sapere se l'atmosfera è potenzialmente infiammabile. Garantire che l'attrezzatura di rilevamento perdite utilizzata sia adatta all'uso con refrigeranti infiammabili, ovvero che non produca scintille, sia adeguatamente sigillata o intrinsecamente sicura.

7.5 PRESENZA DELL'ESTINTORE

Se devono essere effettuati interventi sull'attrezzatura di refrigerazione o su qualsiasi componente associato, è necessario avere a portata di mano un'attrezzatura di spegnimento incendi adeguata. Porre un estintore a polvere secca o a CO₂ vicino all'area di ricarica.

7.6 NESSUNA FONTE DI ACCENSIONE

Nessuna persona che effettui interventi relativi all'impianto di refrigerazione che coinvolgano l'esposizione a tubazioni che contengono o contenevano refrigerante deve usare fonti di accensione per evitare il rischio di incendi o esplosioni. Tutte le possibili fonti di accensione, comprese le sigarette, devono essere mantenute a sufficiente distanza dal luogo di installazione, riparazione e smaltimento, perché potrebbe essere rilasciato refrigerante nello spazio limitrofo. Prima di iniziare gli interventi, l'area attorno all'attrezzatura deve essere sorvegliata per garantire che non ci siano fonti di accensione o rischi di incendio. Devono essere affissi cartelli con la scritta "VIETATO FUMARE".

7.7 AREA VENTILATA

Assicurarsi che la zona sia all'aperto o adeguatamente ventilata prima di operare sull'impianto o effettuare interventi su componenti caldi. È necessario un certo grado di ventilazione durante il periodo di effettuazione dell'intervento. L'impianto di ventilazione deve disperdere in sicurezza il refrigerante rilasciato e preferibilmente espellerlo esternamente nell'atmosfera.

7.8 CONTROLLI ALL'ATTREZZATURA DI REFRIGERAZIONE

Se vengono sostituiti componenti elettrici, devono essere adatti allo scopo e soddisfare le specifiche corrette. Devono sempre essere osservate le linee guida di manutenzione e assistenza del fabbricante. In caso di dubbi, rivolgersi al reparto tecnico del fabbricante per richiedere assistenza. È necessario effettuare i seguenti controlli sugli impianti che utilizzano refrigeranti infiammabili:

- le dimensioni di ricarica devono basarsi sulle dimensioni della stanza in cui i componenti che contengono refrigerante vengono installati;
- i macchinari e le prese di ventilazione devono funzionare in modo adeguato e non essere ostruiti;
- se viene utilizzato un circuito refrigerante indiretto, i circuiti secondari devono essere controllati per la presenza di refrigerante; i contrassegni sull'apparecchiatura devono continuare ad essere visibili e leggibili.
- i contrassegni e i segni illeggibili devono essere corretti;
- il tubo di refrigerazione o i componenti devono essere installati in una posizione in cui è improbabile che possano essere esposti a sostanze che potrebbero corrodere i componenti contenenti refrigerante, a meno che i componenti siano fabbricati con materiali intrinsecamente resistenti alla corrosione o opportunamente protetti dalla corrosione.

7.9 CONTROLLI AI DISPOSITIVI ELETTRICI

La riparazione e la manutenzione dei componenti elettrici comprendono i controlli di sicurezza iniziali e le procedure di ispezione dei componenti. Se c'è un guasto che potrebbe compromettere la sicurezza, non collegare nessuna alimentazione elettrica al circuito fino a quando non è stato risolto. Se il guasto non può essere corretto immediatamente, ma è necessario procedere con l'operazione, utilizzare una soluzione temporanea adeguata. Ciò deve essere segnalato al proprietario del dispositivo, in modo che tutti siano avvertiti.

I controlli di sicurezza iniziali comprendono:

- lo scarico dei condensatori: ciò deve essere effettuato in modo sicuro per evitare la possibilità di scintille
- i componenti elettrici e il cablaggio sotto tensione non devono essere esposti durante la ricarica, il recupero o lo spurgo del sistema;
- la continuità di collegamento a terra.

7.10 RIPARAZIONI AI COMPONENTI SIGILLATI

- 10.1 Durante le riparazioni ai componenti sigillati, tutte le forniture elettriche devono essere staccate dalle apparecchiature in lavorazione prima di qualsiasi rimozione dei coperchi a tenuta, ecc. Se è assolutamente necessario erogare elettricità alle apparecchiature durante la manutenzione, un dispositivo di rilevamento delle perdite che opera in modo permanente deve essere collocato nel punto più critico per avvertire di una situazione potenzialmente pericolosa.
- 10.2 Una particolare attenzione deve essere posta a quanto segue per garantire che, lavorando su componenti elettrici, la scatola esterna non sia alterata in modo da influire sul livello di protezione. Ciò comprende i danni ai cavi, numero eccessivo di connessioni, i terminali che non soddisfano le specifiche originali, danni alle guarnizioni, montaggio errato delle tenute dei cavi, ecc.
- Assicurarsi che l'apparecchiatura sia montata saldamente.
 - Assicurarsi che le guarnizioni o i materiali di tenuta non si siano deteriorati in modo tale che non servano più allo scopo di impedire l'ingresso di atmosfere infiammabili. Le parti di ricambio devono essere conformi alle specifiche del fabbricante.

NOTA: L'uso di sigillante silconico può inibire l'efficacia di alcuni tipi di apparecchiature di rilevamento perdite. Non è necessario isolare i componenti intrinsecamente sicuri prima di lavorare su di essi.

7.11 RIPARAZIONE DI COMPONENTI INTRINSECAMENTE SICURI

Non applicare carichi induttivi o capacitivi permanenti al circuito senza garantire che questo non provocherà il superamento della tensione e della corrente ammissibili e consentite per le apparecchiature in uso. I componenti intrinsecamente sicuri sono gli unici tipi sui quali è possibile operare sotto tensione in presenza di un'atmosfera infiammabile. L'apparecchiatura di prova deve avere una tensione nominale adeguata. Sostituire i componenti solo con parti specificate dal fabbricante. Altre parti possono provocare l'accensione di refrigerante nell'atmosfera in seguito a una perdita.

7.12 CABLAGGIO

Controllare che il cablaggio non sia soggetto ad usura, corrosione, pressione eccessiva, vibrazioni, spigoli vivi o altri agenti ambientali avversi. Il controllo deve inoltre tener conto degli effetti dell'invecchiamento o delle vibrazioni continue da fonti come compressori o ventilatori.

7.13 RILEVAMENTO DI REFRIGERANTI INFIAMMABILI

In nessun caso devono essere utilizzate potenziali fonti di accensione nella ricerca o nella rilevazione di perdite di refrigerante. Non utilizzare una torcia ad alogenuro (o qualsiasi altro rivelatore che utilizzi una fiamma libera).

7.14 METODI RILEVAMENTO PERDITE

Per i sistemi contenenti refrigeranti infiammabili sono ritenuti accettabili i seguenti metodi di rilevamento di perdite. I rilevatori di fughe elettronici sono utilizzati per rilevare i refrigeranti infiammabili, ma la sensibilità potrebbe non essere sufficiente, oppure potrebbe essere necessaria una ri-calibrazione. (Le apparecchiature di rilevamento devono essere tarate in una zona priva di refrigerante.) Assicurarsi che il rivelatore non sia una fonte potenziale di accensione e sia è adatto al refrigerante. Le apparecchiature di rilevamento perdite devono essere impostate a una percentuale del limite minimo di infiammabilità del refrigerante ed essere tarate in base al refrigerante impiegato, e la percentuale di gas (25% massimo) deve essere appropriata. I fluidi di rilevamento perdite devono essere adatti all'uso con la maggior parte dei refrigeranti ma occorre evitare l'uso di detergenti contenenti cloro poiché il cloro può reagire con il refrigerante e corrodere le tubature di rame. Se si sospetta una perdita, tutte le fiamme libere devono essere rimosse o spente. Se viene rilevata una perdita di refrigerante che richiede brasatura, tutto il refrigerante deve essere recuperato dall'impianto, oppure isolato (tramite valvole di esclusione) in una parte dell'impianto lontana dalla perdita. L'azoto senza ossigeno (OFN) deve quindi essere spurgato attraverso l'impianto sia prima che durante il processo di brasatura.

7.15 RIMOZIONE E SVUOTAMENTO

Quando si opera su un circuito refrigerante per effettuare riparazioni per qualsiasi altro scopo devono essere utilizzate le procedure tradizionali. Tuttavia, è importante seguire le migliori pratiche dato occorre considerare l'infiammabilità. Deve essere rispettata la procedura seguente:

- rimuovere il refrigerante;
- spurgare il circuito con gas inerte;
- svuotare;
- spurgare nuovamente con gas inerte;
- aprire il circuito tagliandolo o mediante la brasatura.

La carica di refrigerante deve essere recuperata nei cilindri di recupero corretti. L'impianto deve essere lavato con OFN per rendere sicura l'unità. Potrebbe essere necessario ripetere più volte questa procedura.

Per questa operazione non utilizzare aria compressa o ossigeno.

Il lavaggio deve essere effettuato rimuovendo la depressione nel sistema con OFN e continuando a riempire finché viene raggiunta la pressione di esercizio, quindi sfiatando all'atmosfera, e infine ripristinando la depressione. Questo processo deve essere ripetuto fino a quando non è più presente refrigerante all'interno del sistema.

Quando si utilizza la carica di OFN finale, il sistema deve essere sfiatato fino alla pressione atmosferica per l'effettuazione dell'intervento. Questa operazione è assolutamente vitale se devono essere effettuate operazioni di brasatura sulla tubazione. Assicurarsi che l'uscita per la pompa del vuoto permetta l'accesso a tutte le fonti di accensione e che sia disponibile la ventilazione.

7.16 PROCEDURE DI RICARICA

Oltre alle procedure di ricarica convenzionali, devono essere soddisfatti i seguenti requisiti:

- Assicurarsi che non si verifichi la contaminazione di diversi refrigeranti quando si utilizzano apparecchiature di ricarica. I tubi flessibili o rigidi devono essere il più corti possibili per ridurre al minimo la quantità di refrigerante contenuto in essi.
- Le bombole devono essere mantenute in posizione verticale.
- Assicurarsi che l'impianto di refrigerazione sia collegato a terra prima di immettere refrigerante nell'impianto.
- Apporre etichette sull'impianto quando la carica è completa (se non lo è già).
- Fare attenzione a non riempire eccessivamente l'impianto di refrigerazione.
- Prima di ricaricare l'impianto controllare la pressione con l'OFN. Controllare se ci sono perdite dall'impianto al termine della ricarica, ma prima dell'uso. Effettuare un follow-up del controllo delle perdite

7.17 SMANTELLAMENTO

Prima di eseguire questa procedura, è essenziale che il tecnico conosca a fondo l'attrezzatura e tutti i suoi dettagli. Si raccomanda come buona pratica di recuperare in modo sicuro tutti i refrigeranti. Prima di effettuare l'operazione, prendere un campione di olio e di refrigerante, in caso sia necessaria un'analisi prima del riutilizzo del refrigerante recuperato. È essenziale che l'alimentazione elettrica sia disponibile prima di iniziare l'operazione.

- Acquisire familiarità con l'apparecchiatura e il suo funzionamento.
- Isolare il sistema elettricamente
- Prima di eseguire la procedura assicurarsi che:
 - siano disponibili le attrezzature di maneggiamento meccanico, se necessario, per maneggiare le bombole di refrigerante;
 - siano disponibili tutte le apparecchiature protettive personali e che siano utilizzate correttamente;
 - il processo di recupero deve essere controllato in ogni momento da una persona competente;
 - l'attrezzatura di recupero e le bombole devono essere conformi alle normative appropriate.
- Svuotare l'impianto del refrigerante, se possibile.
- Se non è possibile ottenere la depressione, fabbricare un collettore in modo che il refrigerante possa essere rimosso da varie parti dell'impianto.
- Assicurarsi che la bombola si trovi sulla bilancia prima che avvenga il recupero.
- Avviare la macchina per il recupero e operare secondo le istruzioni del fabbricante.
- Non riempire le bombole eccessivamente. (Volume carica liquida non superiore all'80%).
- Non superare la pressione massima di esercizio della bombola, anche solo temporaneamente.
- Quando i cilindri sono stati riempiti correttamente e la procedura è stata completata, assicurarsi che le bombole e l'attrezzatura vengano rimossi dal sito prontamente e che tutte le valvole di isolamento sull'attrezzatura siano chiuse.
- Il refrigerante recuperato non deve essere caricato in un altro impianto di refrigerazione a meno che non sia stato pulito e controllato.

7.18 ETICHETTATURA

Sull'attrezzatura deve essere applicata un'etichetta indicante che l'impianto è stato smantellato e che è privo di refrigerante. L'etichetta deve essere datata e firmata. Assicurarsi che non ci siano etichette sull'attrezzatura che indicano che l'apparecchiatura contiene refrigerante infiammabile.

7.19 RECUPERO

- Quando si rimuove il refrigerante da un impianto, per la manutenzione o lo smantellamento, si raccomanda come buona pratica di rimuovere tutti i refrigeranti in sicurezza.
- Quando si trasferisce il refrigerante nelle bombole, garantire che vengano utilizzate solo bombole di recupero del refrigerante adeguate. Assicurarsi che siano disponibili i numeri corretti delle bombole per mantenere la carica totale dell'impianto. Tutte le bombole da utilizzare per il refrigerante recuperato devono essere indicate ed etichettate per questo refrigerante (cioè bombole speciali per il recupero del refrigerante). Le bombole devono essere complete delle valvole limitatrici di pressione e delle valvole di intercettazione associate in buone condizioni.
- Le bombole di recupero devono essere svuotate e, se possibile, raffreddate prima che si verifichi il recupero.
- L'apparecchiatura per il recupero deve essere in buone condizioni di lavoro con una serie di istruzioni relative alle attrezzature a portata di mano e adatte al recupero dei refrigeranti infiammabili. Inoltre, deve essere disponibile e in buone condizioni una serie di bilance tarate.
- I tubi flessibili devono essere completi di raccordi di scollegamento privi di perdite e in buone condizioni. Prima di utilizzare la macchina di recupero, verificare che sia in condizioni di funzionamento soddisfacenti, che sia stata sottoposta alla manutenzione adeguata e che eventuali componenti elettrici associati siano sigillati per evitare l'accensione in caso di rilascio di refrigerante. Consultare il fabbricante in caso di dubbi.
- Il refrigerante recuperato dovrà essere restituito al fornitore di refrigerante nella bombola di recupero corretta, e dovrà essere redatta la relativa Nota di trasferimento dei rifiuti. Non mescolare i refrigeranti nelle unità di recupero e soprattutto non nelle bombole.
- Se è necessario rimuovere compressori o oli per compressori, assicurarsi che siano stati svuotati ad un livello accettabile per accertarsi che il refrigerante infiammabile non rimanga all'interno del lubrificante. Il processo di evacuazione deve essere effettuato prima di restituire il compressore ai fornitori. Per accelerare questo processo, utilizzare solo il riscaldamento elettrico sul corpo del compressore. Lo scarico dell'olio da un impianto deve essere eseguito con particolare attenzione.

7.20 TRASPORTO, MARCATURA E STOCCAGGIO PER UNITÀ

- Trasporto di apparecchiature contenenti refrigeranti infiammabili
Conformità con le normative sui trasporti
- Marcatura delle apparecchiature che utilizzano segnali
Conformità con le normative locali
- Smaltimento delle apparecchiature che utilizzano refrigeranti infiammabili
Conformità con le normative nazionali
- Stoccaggio di attrezzature/apparecchiature
Lo stoccaggio delle attrezzature deve essere in accordo con le istruzioni del fabbricante.
- Stoccaggio di attrezzature imballate (invendute)
Deve essere fabbricata una protezione dell'imballaggio di stoccaggio in modo tale che i danni meccanici alle apparecchiature all'interno dell'imballaggio non causino una perdita della carica di refrigerante.
Il numero massimo permesso di apparecchiature conservate insieme sarà determinato dalle normative locali.

Dit product voldoet aan de richtlijn voor laagspanning (2014/35/EU), en de richtlijn voor elektromagnetische compatibiliteit (2014/30/EU) van de Europese Unie.



Correcte afvoer van dit product (afgedankte elektrische en elektronische apparatuur)

(Wanneer de airconditioner wordt gebruikt in Europa, moeten de volgende richtlijnen worden gevolgd)

- Wanneer dit symbool wordt weergegeven op het product of in de literatuur, geeft dit aan dat dit elektrische en elektronische afval (aangeduid als WEEE in Richtlijn 2012/19/EG) niet mag worden gemengd met algemeen huishoudelijk afval. Het is verboden dit apparaat mee te geven met het algemeen huishoudelijk afval. Voor de verwijdering zijn er verschillende mogelijkheden:
 1. De gemeente heeft vaste inzamelpunten, waar elektronisch afval gratis kan worden afgegeven.
 2. Bij de aankoop van een nieuw product, neemt de detailhandelaar het oude product kosteloos mee.
 3. De fabrikant neemt het oude apparaat kosteloos mee voor verwijdering.
 4. Omdat oude producten waardevolle onderdelen bevatten, kunnen deze worden verkocht aan een schroothandel. Het dumpen van afval in het bos en de natuur vormt een bedreiging voor de gezondheid, omdat gevaarlijke stoffen in het grondwater kunnen lekken en in de voedselketen terecht kunnen komen.

Dit product bevat gefluoreerde gasen die vallen onder het Kyoto-protocol

Chemische naam van het gas	R32
GWP (Global Warming Potential) van gas	675

⚠ VOORZICHTIG

- | | |
|--|---|
| <ol style="list-style-type: none"> 1. Plak het meegeleverde label van het koudemiddel naast de toevoer- en/of afvoerlocatie. 2. Noteer op het label duidelijk de hoeveelheid koudemiddel waarmee de unit is gevuld. Gebruik hiervoor onuitwisbare inkt. 3. Voorkom de uitstoot van gefluoreerd gas uit de unit. Zorg ervoor dat het gefluoreerde gas nooit ontsnapt tijdens installatie, onderhoud of verwijdering. Wanneer lekkage van gefluoreerd gas wordt gedetecteerd, dient het lek zo spoedig mogelijk te worden gestopt en gerepareerd. | <ol style="list-style-type: none"> 4. Alleen bevoegde onderhoudsmedewerkers hebben toegang tot dit product en mogen het onderhouden. 5. De omgang met het gefluoreerde gas in dit product, bijvoorbeeld wanneer het product wordt verplaatst of het gas wordt bijgevuld, dient te voldoen aan de Europese verordening nr. 517/2014 inzake bepaalde gefluoreerde broeikasgassen en de betreffende lokale wet- en regelgeving. 6. Als het systeem met een lekdetectie is uitgerust, moet u minstens alle 12 maanden op lekkages controleren. 7. Wanneer de unit op lekkages wordt gecontroleerd, raden wij aan alle controles correct te registreren. |
|--|---|

Binnenunit	Buitenunit	Nominale spanning & Hz
42QHP09E8S*	38QHP09E8S*	220-240V~, 50Hz
42QHP12E8S*	38QHP12E8S*	

De fabrikant behoudt zich het recht voor om zijn producten zonder voorafgaande waarschuwing te wijzigen.

INHOUD

1. DE INSTALLATIE VOORBEREIDEN	3
1.1 Veiligheidsmaatregelen	3
1.2 Accessoires	5
1.3 De installatielocatie bepalen	6
2. DE BINNENUNIT INSTALLEREN	7
2.1 Montageplaat binnenunit	7
2.2 Het installatieproces	8
3. DE BUITENUNIT INSTALLEREN	9
3.1 Afmetingen montageplaat buitenunit	9
3.2 Benodigde ruimte voor buitenunit	9
3.3 Bedrading buitenshuis	10
3.4 De buitenunit installeren	10
3.5 De afvoerbuis voor de buitenunit installeren	10
4. KOUEMIDDELEIDING	11
4.1 Optrompen	11
4.2 Leiding	11
4.3 Koudemiddleiding	12
4.4 Luchtafvoer	12
4.5 Lektest	12
5. BEDRADING	13
6. LAATSTE CONTROLE EN TESTBEDRIJF	14
6.1 Checklist voor laatste controle	14
6.2 Handmatige bediening	14
6.3 Testbedrijf	14
7. ONDERHOUDSINFORMATIE	15



Let op: Risico op brand alleen voor koelmiddel R32/R290

1.1 VEILIGHEIDSMATREGELEN

- Het installeren en opstarten van en het onderhoud plegen aan airconditioningapparatuur kan gevaarlijk zijn als gevolg van systeemdruk, elektrische componenten en de locatie van de apparatuur (daken, verhoogde constructies enz.).
- Uitsluitend getrainde en gekwalificeerde installateurs en servicemonteurs mogen deze apparatuur installeren, opstarten en onderhouden.
- Bij het werk aan de apparatuur dient u de veiligheidsinstructies op te volgen die u in de documentatie kunt lezen, en die zichtbaar is op de plaatjes, stickers en labels die op de apparatuur zijn aangebracht.
- Houd u aan alle veiligheidsregels. Draag een veiligheidsbril en werkhandschoenen. Houd een blusdeken en een brandblusser in de buurt wanneer u gaat solderen. Wees voorzichtig bij het hanteren, hijsen en plaatsen van omvangrijke apparatuur.
- Lees deze instructies aandachtig door en volg alle waarschuwingen of adviezen op die in de documentatie staan of op het apparaat zijn aangebracht. Raadpleeg de lokale bouwverordeningen en nationale elektriciteitsrichtlijnen voor speciale vereisten.

! WAARSCHUWING

Dit symbool geeft de mogelijkheid aan van persoonlijk of dodelijk letsel.

- **Gasvormig koudemiddel is zwaarder dan lucht en verdringt zuurstof. Een groot lek kan leiden tot zuurstoftekort, vooral in kelders, waardoor verstikkingsgevaar kan ontstaan dat tot ernstig of dodelijk letsel kan leiden.**
- **Als de airconditioner in een kleine ruimte wordt geïnstalleerd, zorg dan voor voldoende maatregelen die voorkomen dat de concentratie van het lekkende koudemiddel in de ruimte boven het kritische niveau uitkomt.**
- **Als er tijdens de installatie koudemiddelgas lekt, moet u de ruimte onmiddellijk ventileren.**
Koudemiddelgas kan een giftig gas produceren als het in contact komt met vuur zoals dat van een kachel, oven of fornuis. Blootstelling aan dit gas kan leiden tot ernstig letsel of de dood.
- **Haal het apparaat van de stroom af voordat u begint met het uitvoeren van elektrotechnische werkzaamheden. Sluit de verbindingkabel correct aan.**
Een verkeerde aansluiting kan leiden tot schade aan elektrische onderdelen.
- **Gebruik de aangegeven kabels voor de elektrische aansluitingen en sluit de kabels stevig aan op de aansluitsecties van het klemmenblok, zodat er geen externe kracht op het klemmenblok wordt uitgeoefend.**
- **Verzekert u ervan dat u voor aarding hebt gezorgd.**
Aard units niet via gasleidingen, waterbuizen, bliksemafleiders of telefoondraden. Onvoldoende aarding kan leiden tot een ernstige schok resulterend in ernstig letsel of de dood.
- **Verwijder het verpakkingsmateriaal op een veilige wijze.**
Verpakkingsmateriaal, zoals spijkers en andere metalen of houten onderdelen, kan scherp zijn en verwondingen veroorzaken. Verscheur de plastic verpakkingszakken en gooi ze weg zodat kinderen er niet mee kunnen spelen. Kinderen die met plastic zakken spelen, lopen het risico op verstikking.
- **Installeer het apparaat niet in de buurt van een ruimte met veel brandbaar gas of gasdamp.**
- **Zorg ervoor dat u de bijgeleverde of gespecificeerde installatie-onderdelen gebruikt.**
Het gebruik van andere onderdelen kan ertoe leiden dat het apparaat los raakt of kan waterlekage, elektrische schokken, brand of beschadiging van de apparatuur veroorzaken.
- **Bij het installeren of verplaatsen van het systeem, mag geen lucht of andere stof dan het gespecificeerde koudemiddel (R410A) in het koelsysteem terechtkomen.**
- **Wijzig dit apparaat nooit door een beschermkap te verwijderen of door een vergrendelingschakelaar te overbruggen.**
- **Elektrotechnische werkzaamheden dienen te worden uitgevoerd conform de installatiehandleiding en de landelijke, regionale en plaatselijke richtlijnen voor elektrische bedrading.**

! WAARSCHUWING

- **Verzekert u ervan dat u een apart voedingscircuit gebruikt. Gebruik geen verlengsnoer en deel hetzelfde stopcontact niet met andere apparaten.**
- **Om te voorkomen dat de thermische beveiliging onopzettelijk wordt gereset, mag dit apparaat niet worden gevoed via een extern schakelapparaat, zoals een timer, of worden aangesloten op een stroomkring die regelmatig door het hulpprogramma wordt aan- en uitgezet.**
- **Gebruik voor de elektrische aansluitingen de voorschreven kabels, die door middel van isolatiekousen met de juiste temperatuurklasse zijn geïsoleerd.**
Slechte kabels kunnen stroomlekage, abnormale verwarming of brand veroorzaken.
- **Gebruik voor ontdooien en reinigen uitsluitend de door de fabrikant aanbevolen methoden.**
- **Het apparaat moet worden bewaard in een ruimte zonder continu werkende ontstekingsbronnen (bijvoorbeeld: open vlammen, een werkende gasinstallatie of werkende elektrische verwarming)**
- **Het apparaat niet doorboren of verbranden.**
- **Houd er rekening mee dat koudemiddelen geurloos kunnen zijn.**
- **Het apparaat moet worden bewaard in een goed geventileerde ruimte, die een vergelijkbare omvang heeft als de aangegeven bedrijfsruimte.**
- **Voor modellen met koudemiddel R32:**
Het apparaat moet worden geïnstalleerd, gebruikt en bewaard in een ruimte met een vloeroppervlakte van meer dan 4 m².
Het apparaat mag niet worden geïnstalleerd in een niet-geventileerde ruimte als de ruimte kleiner is dan 4 m².
- **De minimale ruimte voor modellen met koudemiddel R290 is:**
≤9000 Btu/h units: 13 m²
>9000 Btu/h en ≤12000 Btu/h units: 17 m²
>12000 Btu/h en ≤18000 Btu/h units: 26 m²
>18000 Btu/h en ≤24000 Btu/h units: 35 m²

! VOORZICHTIG

Dit symbool geeft de mogelijkheid aan van schade aan bezittingen of ernstige gevolgen.

- **Om persoonlijk letsel te voorkomen, moet u voorzichtig zijn met het hanteren van onderdelen met een scherpe rand.**
- **Installeer de binnen- of buitenunit niet op een plaats waar speciale omgevingsomstandigheden heersen.**
- **Installeer het apparaat niet op een plaats die het geluidsniveau van de unit kan versterken of waar de burenlucht last kunnen hebben van het geluid en de uitgestoten lucht.**
- **Werk de afvoer/leidingen veilig af conform de installatiehandleiding.**
Niet-correct geïnstalleerde afvoerbuizen kunnen leiden tot waterlekage en materiële schade.
- **Installeer de airconditioner niet op een van de volgende plaatsen.**
 - Locaties waar minerale olie of arseenzuur aanwezig is.
 - Locaties waar corrosief gas (bijv. zwavelzuurgas) of brandbaar gas (bijv. verdunner) zich kan ophopen of verzamelen, of waar wordt gewerkt met vluchtige brandbare stoffen.
 - Locaties waar apparatuur aanwezig is die elektromagnetische velden of hoogfrequente harmonischen genereren.
- **Het apparaat moet zo worden bewaard dat er geen mechanische schade optreedt.**
- **Alle personen die een koudemiddelopening openen of repareren, moeten over een geldig certificaat beschikken dat is uitgegeven door een erkende toetsingsautoriteit en waaruit blijkt dat de persoon bevoegd en in staat is veilig om te gaan met koudemiddelen, conform de daarvoor geldende industrievereisten.**

1. DE INSTALLATIE VOORBEREIDEN

1.2 ACCESSOIRES

De volgende accessoires worden met de unit meegeleverd. Het type en het aantal kunnen verschillen afhankelijk van de specificaties.

Benaming accessoires	Aantal(pc)	Vorm	Benaming accessoires	Aantal(pc)	Vorm
Handleiding	3		Afstandsbediening	1	
Uitgang afvoerbuis	1		Batterij	2	
Afdichtring	1		Houder afstandsbediening	1	
Montageplaat	1		Schroef B	2	
Plug	5		Klein filter	1	
Schroef A	5		Magneetring (sommige units)	N*	

* afhankelijk van het werkelijke aantal

1.3 DE INSTALLATIELOCATIE BEPALEN

Binnenunit

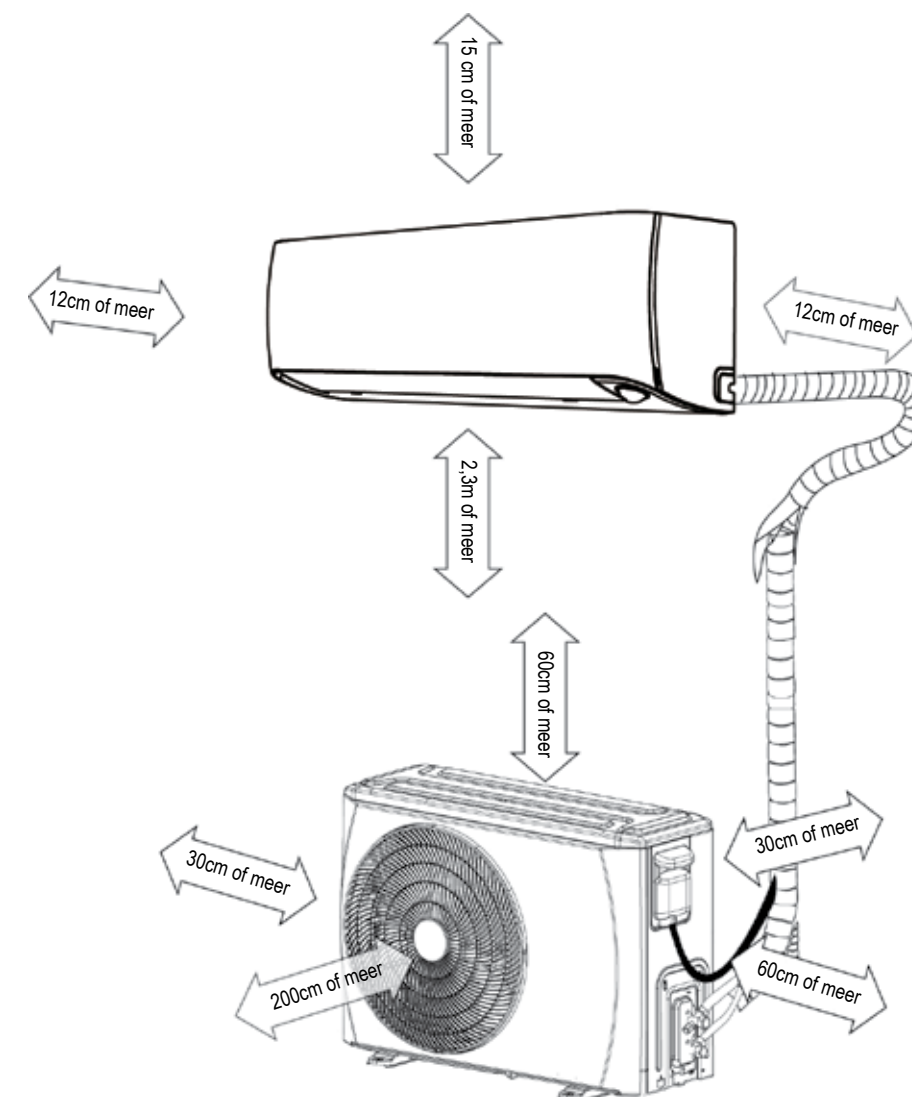
- Een plaats die het gewicht van de binnenunit kan dragen.
- Installeer een binnenunit niet in de buurt van een directe warmtebron zoals direct zonlicht of een verwarming.
- Een plaats met voldoende vrije ruimte zoals getoond op de afbeelding.
- Bewegende delen van het apparaat moeten worden geïnstalleerd/geplaatst op een niveau van minimaal 2,3 m van de vloer.

Buitenunit

- Een plaats die makkelijk bereikbaar is voor de installatie en waar de unit niet wordt blootgesteld aan sterke wind. Als de unit wordt blootgesteld aan sterke wind, wordt aanbevolen een windschot te gebruiken.
- Een plaats die het gewicht van de buitenunit kan dragen en waar de buitenunit waterpas kan worden gemonteerd.
- Een plaats met voldoende vrije ruimte zoals getoond op de afbeelding.

Installeer de binnen- of buitenunit niet op een plaats waar speciale omgevingsomstandigheden heersen. Controleer of er voldoende ruimte is voor installatie en onderhoud.

1. DE INSTALLATIE VOORBEREIDEN



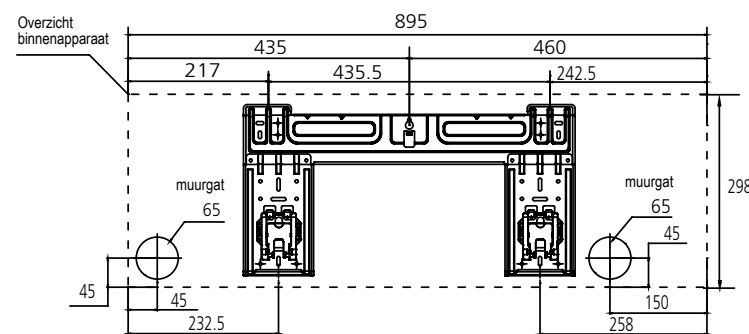
Opmerking: Controleer de door de pijlen aangegeven afstand tot de muur, het plafond, het hek of andere obstakels.

De leiding kan naar achteren, links, linksachter of naar rechts worden gelegd.

Dicht de ongebruikte afvoeropening af met de meegeleverde rubberen plug.

Snijd het voorgestane paneel op maat van de leiding. voorgestanst paneel

2.1 MONTAGEPLAAT BINNENUNIT



Opmerking: Als de verbinding sleiding aan de gaszijde een doorsnede heeft van 16 mm (5/8 inch) of meer, moet de opening 90 mm (3,54 inch) groot zijn.

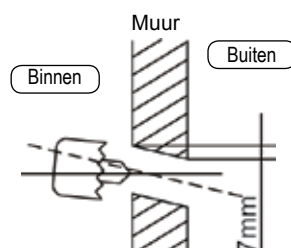
De montageplaat installeren

Bevestig de montageplaat horizontaal en waterpas aan de muur met vijf of meer schroeven van het type A.



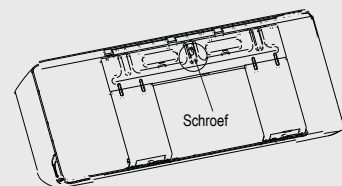
Een gat in de muur boren

Boor in de muur een gat van 65 mm of 90 mm (afhankelijk van het model) dat naar buiten toe iets helt.



Opmerking:

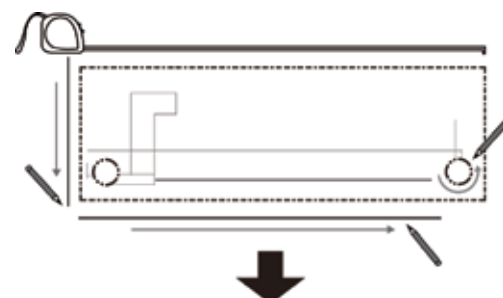
De installatieplaat wordt voor verzendingsdoeleinden bevestigd met een schroef. U moet de schroef verwijderen voordat u het apparaat installeert. (zie afbeelding)



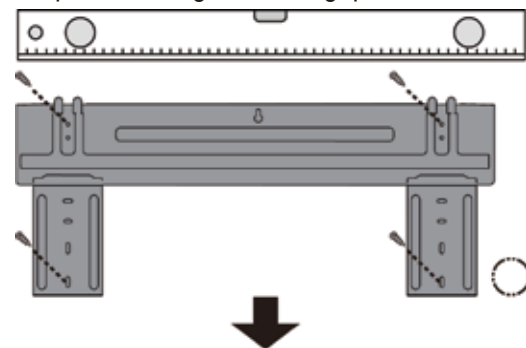
De montageplaat ziet eruit zoals één van de afbeeldingen, afhankelijk van de afmetingen van de unit. De grootte van de bevestigingsgaten voor de pluggen moet 5 mm bedragen.

2.2 INSTALLATIEPROCES

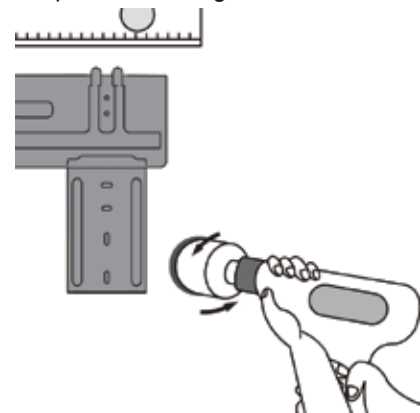
Stap 1: Bepaal de positie van het gat in de muur



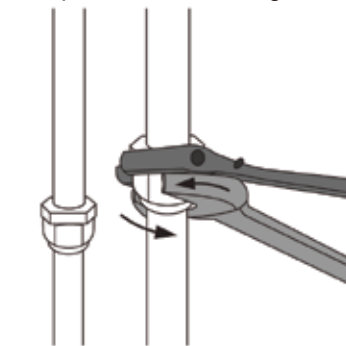
Stap 2: Bevestig de montageplaat



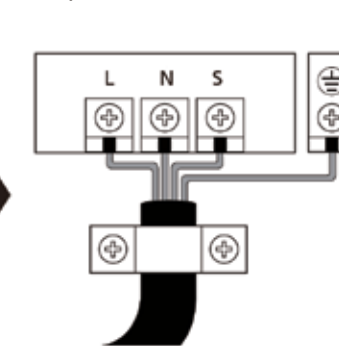
Stap 3: Boor het gat in de muur



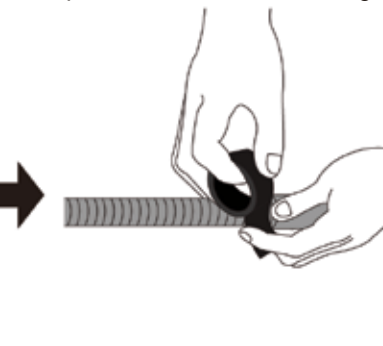
Stap 4: Sluit de leiding aan



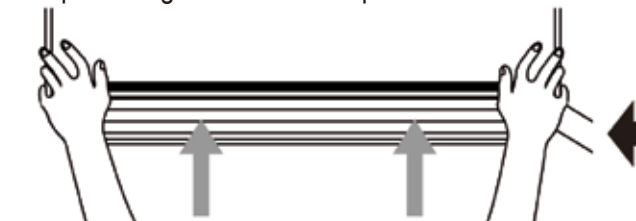
Stap 5: Sluit de draad aan



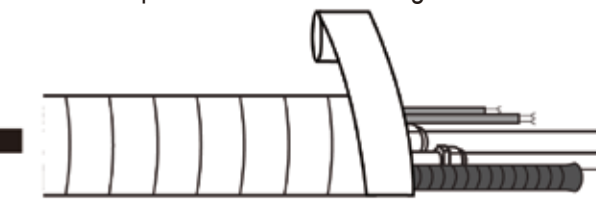
Stap 6: Bereid de afvoerslang voor



Stap 8: Hang de binnenunit op

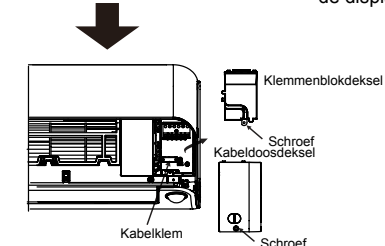
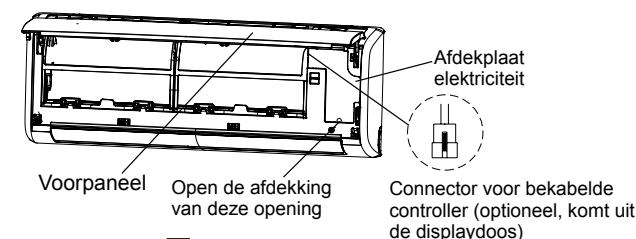


Stap 7: Omwikkel de leiding en de kabel



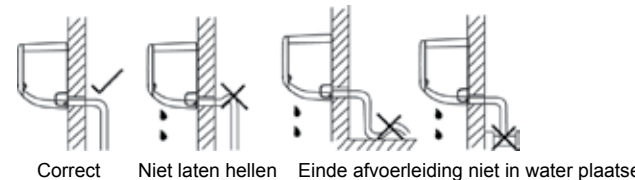
Bedrading binnenshuis

- Til het voorpaneel van de binnenunit omhoog.
- Open de afdekplaat van de elektriciteit van de binnenunit via de opening met een schroevendraaier, verwijder de afdekplaat van het klemmenbord met de hand en verwijder de kabelklem door de schroeven los te draaien
- Voer de verbindingdraden vanaf de achterkant van de binnenunit en sluit ze aan op het klemmenbord van de binnenunit.



Afvoerleiding

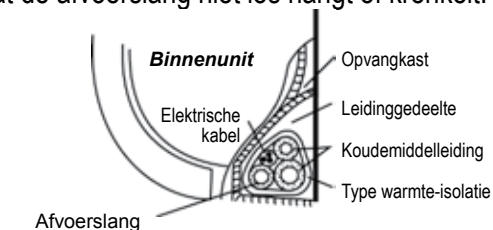
De afvoer mag nergens worden geblokkeerd, moet naar beneden hellen en moet tot aan de buitenmuur worden geïsoleerd.



De leiding omwikkelen

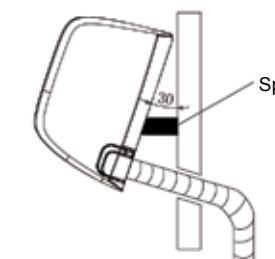
Zie de onderstaande afbeelding voor de juiste plaatsing van de koudemiddelleiding, voedingskabel en afvoer:

- Plaats de afvoerslang onder de koudemiddelleiding.
- Zorg dat de afvoerslang niet los hangt of kronkelt.



De binnenunit ophangen

- Voer de koudemiddelleiding door het gat in de muur.
- Hang de binnenunit aan de bovenste haak van de montageplaat. Duw daarna het onderste deel van de binnenunit omhoog naar de onderste haak op de muur.
- Beweeg de binnenunit vervolgens horizontaal en verticaal om te controleren of deze stevig vastzit.



VOORZICHTIG

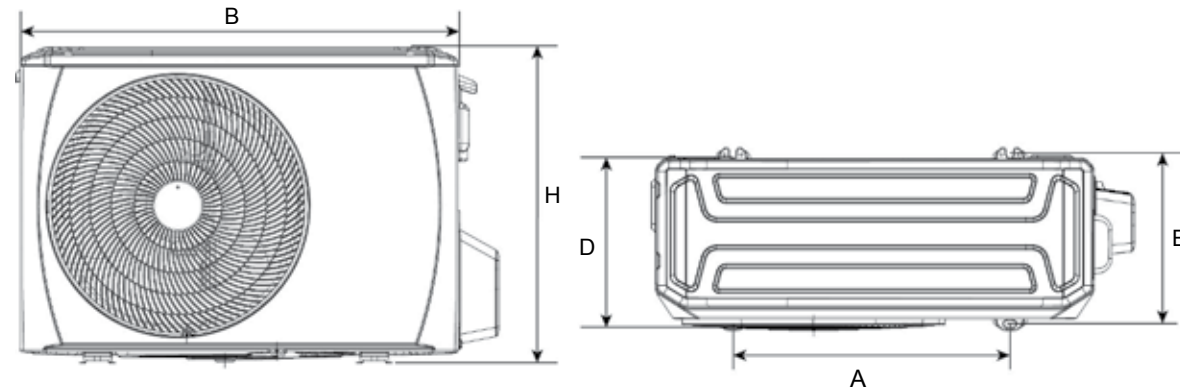
De verbindingdelen van de verbinding sleiding moeten buiten de kamer worden geplaatst.

3. DE BUITENUNIT INSTALLEREN

3.1 MONTAGEAFMETINGEN BUITENUNIT

De afmetingen van de montageplaat verschillen per buitenunit.

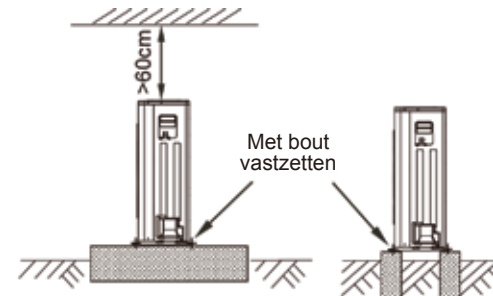
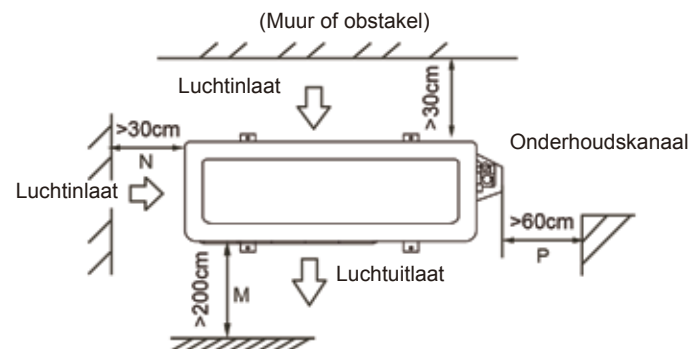
De kop van de bevestigingsbout moet een diameter hebben van meer dan 12mm.



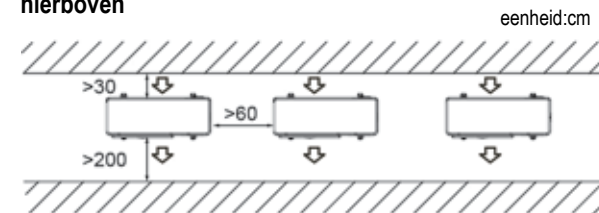
Afmetingen buitenunit (mm)				Afmetingen montageplaat (mm)	
Buitenunit	B	H	D	A	B
38QHP09E8S 38QHP12E8S	800	554	333	515	340

3.2 BENODIGDE RUIMTE VOOR BUITENUNIT

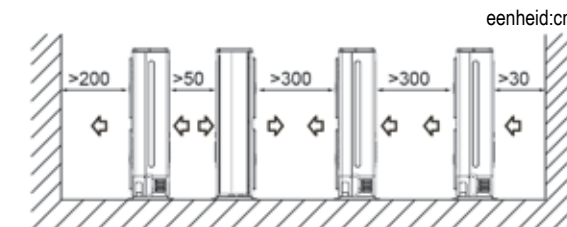
Installatie van één unit



Sluit de twee units evenwijdig aan elkaar aan zoals hierboven



Sluit de voor- en achterkant evenwijdig aan elkaar aan



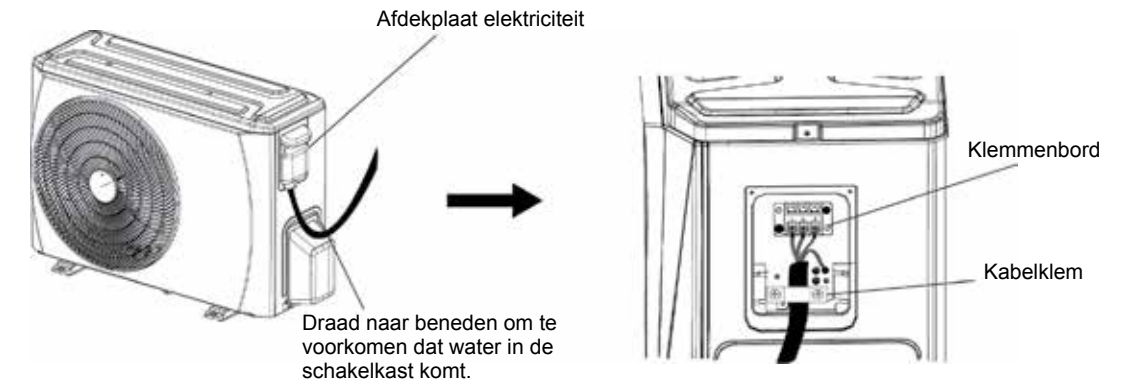
⚠️ VOORZICHTIG

- In gebieden waar sneeuwval en lage temperaturen worden verwacht, dient u te vermijden dat de buitenunit op plaatsen wordt gemonteerd waar hij met sneeuw bedekt kan raken. Wanneer zware sneeuwval wordt verwacht, wordt de installatie aanbevolen van een niet-meegeleverde en door de gebruiker zelf te installeren ijs- of sneeuwvanger en/of windschot om de unit te beschermen tegen de ophoping van sneeuw en de blokkering van de luchtinlaat.

3. DE BUITENUNIT INSTALLEREN

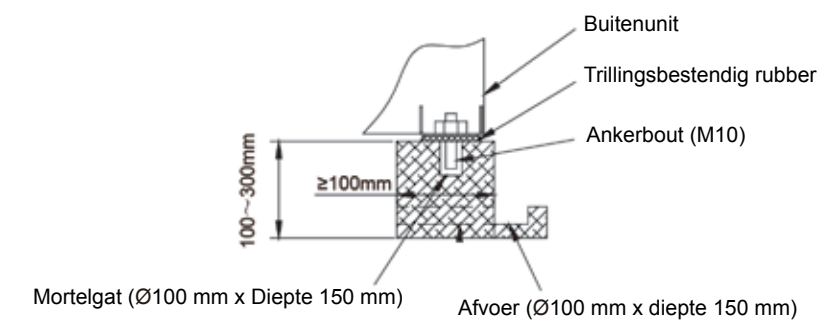
3.3 BEDRADING BUITENSHUIS

- Draai de schroeven los om de afdekplaat van de elektriciteit en de kabelklem te verwijderen.
- Verbind de draden met het klemmenbord van de buitenunit op dezelfde wijze als de binnenunit.



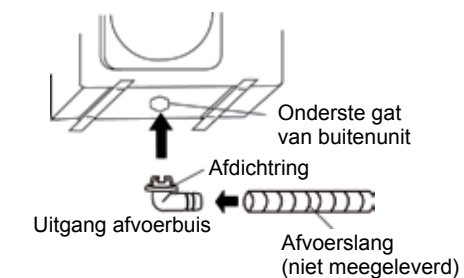
3.4 DE BUITENUNIT INSTALLEREN

- Controleer voor installatie of de basis sterk genoeg is en horizontaal loopt zodat er geen abnormaal geluid wordt geproduceerd.
- Bevestig de basis stevig met zekeringsbouten (M10) om te voorkomen dat de basis instort.
- Plaats de trillingsbestendige rubbers voor directe ondersteuning van het bodemvlak van de vastzetpoot, dat in contact komt met de bodemplaat van de buitenunit.



3.5 DE AFVOERBUIS VOOR DE BUITENUNIT INSTALLEREN

- Sluit de uitlaat van de afvoerleiding aan op een verlengslang
- Plaats de afdichtring op de afvoeruitgang.
- Plaats de uitlaat van de afvoerleiding in het gat in de bodem van de buitenunit, en draai de leiding 90 graden om de onderdelen stevig vast te zetten.



VOORZICHTIG

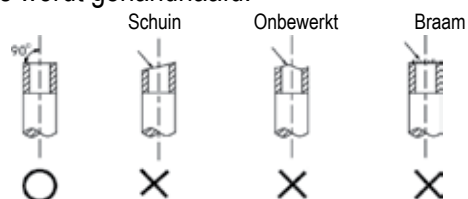
- Controleer of het hoogteverschil tussen de binnenunit en de buitenunit en de totale lengte van de koudemiddelleiding overeenstemmen met de systeemvereisten.
- Dekoudemiddelleidingen worden geïnstalleerd nadat de binnenunit en buitenunit zijn geïnstalleerd. Sluit de leiding eerst aan op buitenunit en daarna op de binnenunit.
- Zorg er tijdens de installatiewerkzaamheden altijd voor dat de uiteinden van de leidingen zijn afgedicht met een kapje of tape en verwijder deze pas zodra u de leiding gaat aansluiten.
- Zorg dat eventuele niet met het product meegeleverde eigen leidingen tot in de buisaansluiting binnen in de unit geïsoleerd zijn. Blootliggende buizen kunnen condensvorming vormen of bij aanraking brandwonden veroorzaken.
- Wanneer de buitenunit zich bovenaan bevindt en het hoogteverschil meer dan 10 m bedraagt, adviseren we u om alle 5 tot 8 m een oliertour in de gasleiding te plaatsen. De oliertourleiding moet een radius van meer dan 10 cm hebben.

4.1 OPTROMPEN

OPMERKING

- Het gereedschap dat u voor het flare-koppelen nodig heeft, bestaat uit: buissnijder, frees, flare-gereedschap en een buishouder.
- Voor R32-koelmodellen moeten de leidingaansluitpunten buiten de ruimte worden geplaatst.

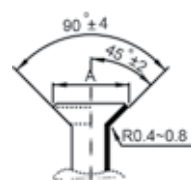
4.1.1 Gebruik een buissnijder om de buis op de gewenste lengte te snijden. Zorg ervoor dat een snijrand van 90° ten opzichte van de zijkant van de buis wordt gehandhaafd.



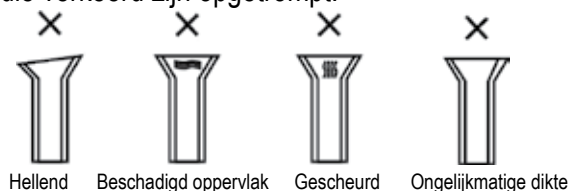
4.1.2 Gebruik een frees om braam te verwijderen met het snijvlak naar beneden, zodat de spaan niet in de buis kan dringen.

4.1.3 Voer de flare-koppeling uit met behulp van flare-gereedschap zoals hieronder weergegeven.

Buitendiameter	A (mm)	
	Max	Min
Ø6,35 mm	8,7	8,3
Ø9,52 mm	12,4	12,0
Ø12,7 mm	15,8	15,4
Ø15,88 mm	19,0	18,6
Ø19,05 mm	23,3	22,9



4.1.4 Controleer of de flare-koppelingen correct vast zitten. Hieronder ziet u voorbeelden van leidingen die verkeerd zijn opgetrompt.

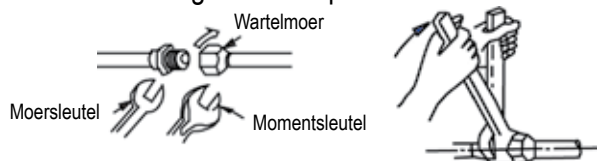


VOORZICHTIG

- Als u moet solderen, werk dan met stikstofgas.
- Als het aandraaien niet goed gebeurt, kan de flare-koppeling beschadigd raken of er kan een gaslek ontstaan.

4.2 LEIDING

4.2.1 Centreer en draai de wartelmoer aan en voltooi de verbinding met behulp van twee moersleutels.



Leidingmaat	Draaimoment
Ø6,35 mm	18 ~ 20 Nm
Ø9,52 mm	25 ~ 26 Nm
Ø12,7 mm	35 ~ 36 N
Ø15,88 mm	45 ~ 47 N
Ø19,05 mm	65 ~ 67 N

4.2.2 Selecteer het geschikte isolatiemateriaal voor de koudemiddelleiding. (min. 10 mm, thermisch isolatieschuim C)

- Gebruik gescheiden thermisch geïsoleerde leidingen voor gas- en vloeistofleidingen.
- De bovenvermelde dikte geldt als standaard bij een binnentemperatuur van 27 °C en een vochtigheidsgraad van 80%. Bij installatie in ongunstige omgevingsomstandigheden zoals nabij badkamers, keukens en soortgelijke locaties moet de isolatie worden versterkt.
- De isolatie moet hittebestendig zijn tot ruim 120 °C.
- Gebruik de kleefmiddelen op het verbindingsdeel van de isolatie om te voorkomen dat vocht binnendringt.
- Repareer en bedek alle mogelijke scheuren in het isolatiemateriaal en controleer vooral de bochten en hangende delen.

4.3 KOUEMIDDELLEIDING

Opmerking: het koelmiddel moet worden geladen via de servicepoort op de lagedrukke van het buitenapparaat.

	Minimale lengte om abnormale trillingen en lawaai te verminderen	Onbelaste lengte	Extra toevoer per meter	
			Vloeistofzijde: Ø6,35 mm	Vloeistofzijde: Ø9,52 mm
R32*	3 m	5 m	12 g	24 g

* Gebruik gereedschap voor het R32-systeem.

OPMERKING

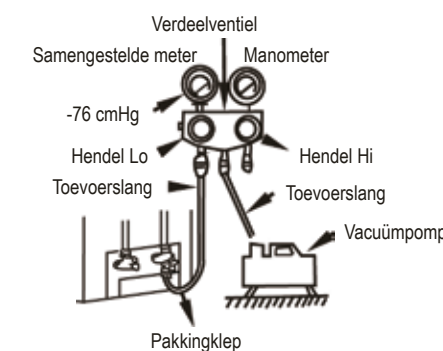
- De lengte van de verlengbuis zal invloed hebben op de capaciteit en de energie-efficiëntie van de unit.
- De nominale efficiëntie wordt getest op basis van een leidinglengte van 5 meter.
- Als de leiding langer dan 5 m is, moet er extra koudemiddel worden toegevoegd overeenkomstig de leidinglengte.
- De aanbevolen maximale buislengte is als volgt.

Modellen	R32 omvormer	
	Maximale buislengte (m)	Max. hoogteverschil (m)
9K/12K	25	10

* Gebruik gereedschap voor het R32-systeem.

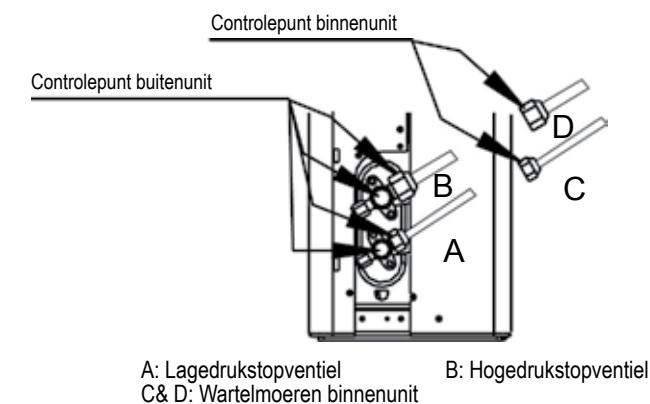
4.4 LUCHTAFVOER

- Sluit de toevoerslang van het verdeelstuk aan op de poort van de pakkingklep aan de gaszijde.
- Sluit de toevoerslang aan op de poort van de vacuümpomp.
- Zet de hendel Lo van het verdeelstuk volledig open.
- Onttrek met de vacuümpomp lucht uit het systeem tot een druk van -76 cmHg.
- Sluit de hendel Lo van het verdeelstuk.
- Zet de klepsteel van de pakkingkleppen volledig open.
- Verwijder de toevoerslang uit de poort.
- Maak de doppen van de pakkingkleppen stevig vast.



4.5 LEKTEST

Controleer nadat de leiding is gelegd de verbinding van elke koudemiddelleiding op eventuele gaslekken, door zeepsop aan te brengen of door een speciale lekdetector voor HFC-koudemiddelen te gebruiken. Zie onderstaande afbeelding ter illustratie.



⚠️ VOORZICHTIG

- Alle elektrische aansluitingen dienen door gekwalificeerde installateurs te worden uitgevoerd en alle bedrading dient te worden aangesloten volgens het elektrische schema.
- Voordat u andere elektrische aansluitingen uitvoert, dient u eerst te aarden.
- Voordat u werk aan de bedrading uitvoert, dienen alle voedingsbronnen uitgeschakeld te zijn en u mag de stroom pas inschakelen als u zich ervan verzekerd heeft dat de veiligheid van alle bedradingen is gecontroleerd.
- U dient een hoofdschakelaar en een stroomonderbreker of zekering te installeren; de capaciteit dient meer dan 1,5 keer de maximale stroom in het circuit te bedragen.
- Per apparaat dient een aparte vrije stroomgroep beschikbaar te zijn, met slechts één enkel stopcontact.
- Aderdoorsnede hangt af van de nominale stroom en de landelijke, regionale en lokale bedradingrichtlijnen. Raadpleeg de lokale bouwverordeningen en nationale elektriciteitsrichtlijnen voor speciale vereisten.
- Als het stroomsnoer is beschadigd, moet het worden vervangen door de fabrikant, diens servicemedewerker of een vergelijkbaar gekwalificeerde persoon om mogelijk gevaarlijke situaties te voorkomen.
- De unit moet via een stroomonderbreker of schakelaar met een contactafstand van minimaal 3 mm op alle polen op de hoofdstroomvoorziening worden aangesloten. Het wordt aanbevolen een aardlekschakelaar met een nominale reststroom van maximaal 30 mA te installeren.
- In het apparaat is een aardverbinding geïntegreerd voor uitsluitend functionele doeleinden.

■ Nominale stroomsterkte van elk model

Model	Nominale stroom (A)	Zekeringsterkte (A)	Stroomtoevoerkabel (met min. diameter)	Verbindingskabel (met min. diameter)
38QHP09E8S	10,0	16	3*1,5 mm ²	5*1,5 mm ²
38QHP12E8S	13,0	20	3*1,5 mm ²	5*1,5 mm ²

LET OP:

1. De dimensionering van alle stroomdraden moet voldoen aan de nationale en lokale wet- en regelgeving op het gebied van elektrische bedrading. Raadpleeg de lokale bouwverordeningen en nationale elektriciteitsrichtlijnen voor speciale vereisten.
2. De voedingskabel buitenshuis en de verbindingskabel moeten van het type H07RN-F zijn.
3. De nominale stroomsterkte van het apparaat wordt vermeld op het naamplaatje.
4. De specificatie van de zekering van het buitenapparaat is T20 A/250 VAC (alleen van toepassing op koelmiddel R32)
Opmerking: De zekering is gemaakt van keramiek.

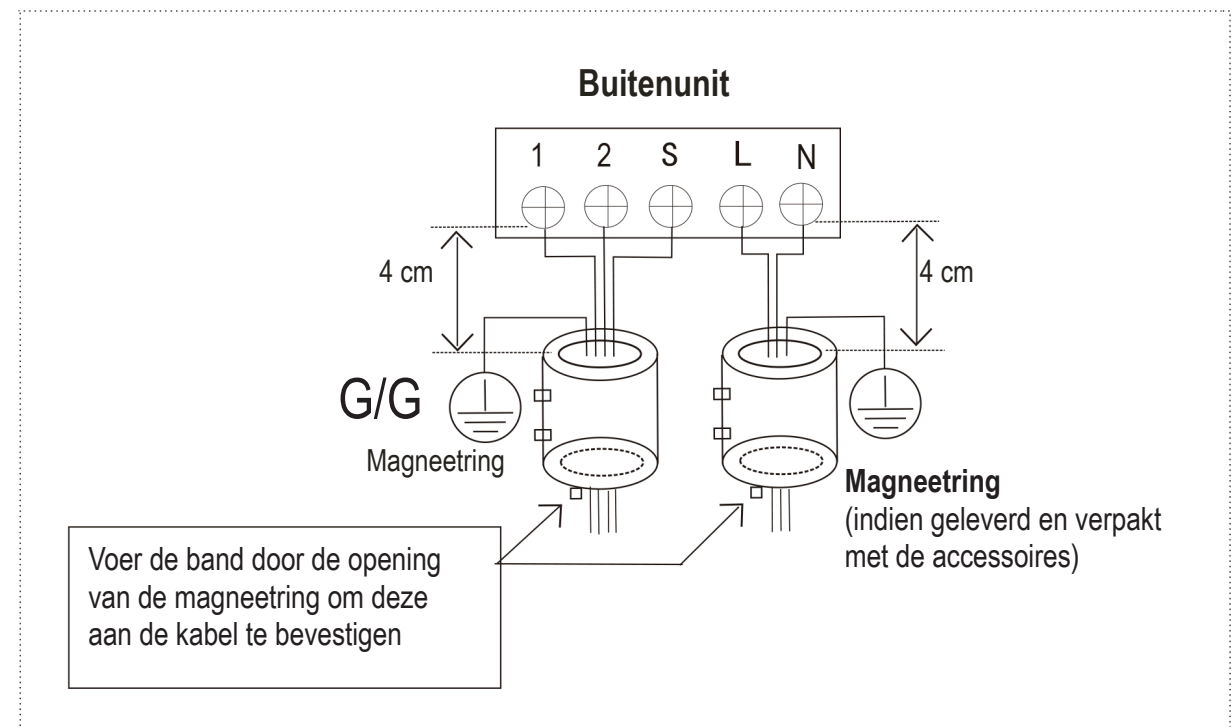
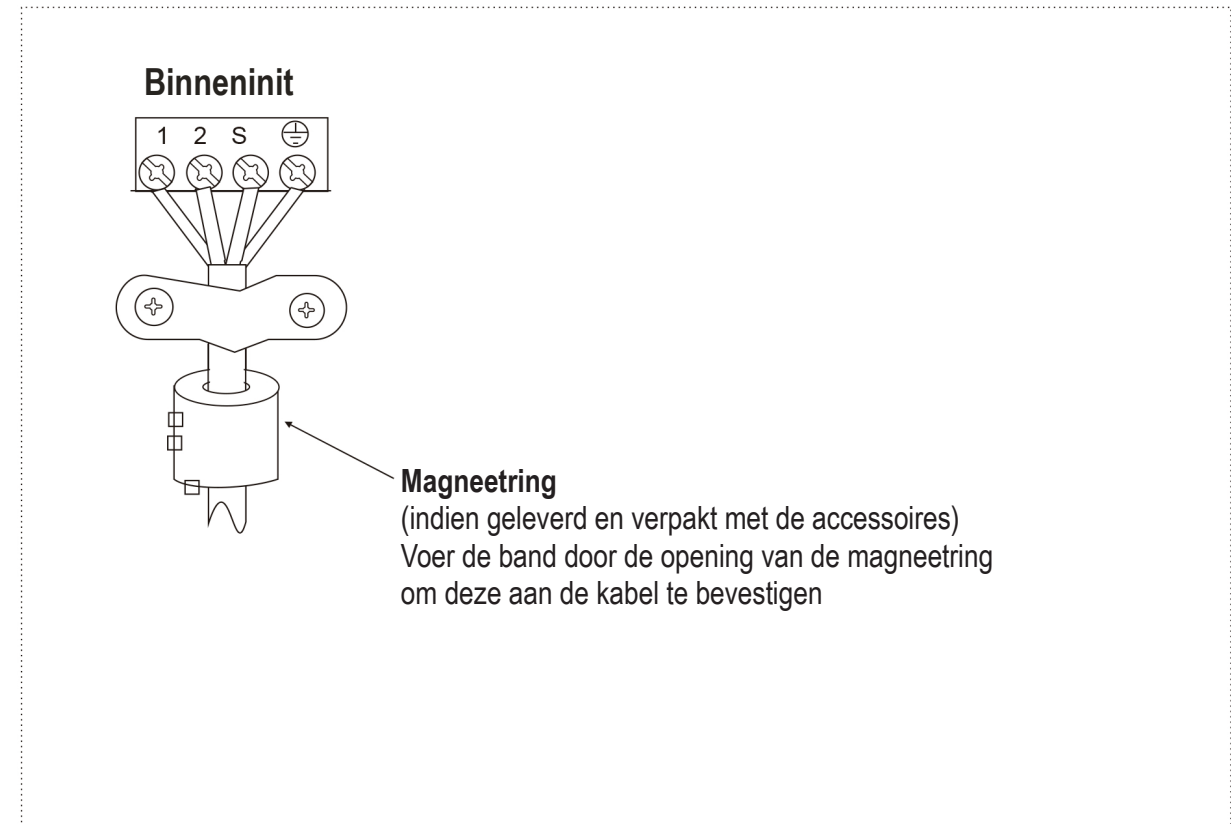


■ Verbindingsschema

Model	Binnenapparaat	Buitenapparaat
QHP09 QHP12		
	Naar buiten	Stroomaansluiting Naar binnen

■ Installatie van magneetring

Opmerking: het klemmenbord kan variëren afhankelijk van het model.

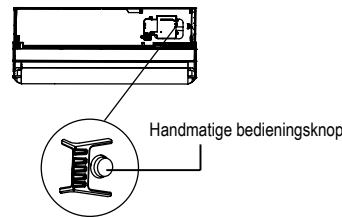


6. LAATSTE CONTROLE EN TESTBEDRIJF

6.1 CHECKLIST VOOR LAATSTE CONTROLE

Ter afronding van de installatie dient u voorafgaand aan het testbedrijf de volgende controles uit te voeren.

- Sterkte van de installatielocatie voor zowel binnen als buiten; vergewis u ervan dat de luchtuitlaat of de luchtreuopening niet worden geblokkeerd.
- Dichtheid van de aansluiting van de koudemiddelleiding en controleer op lekkage
- Elektrische kabelaansluitingen zijn correct gemaakt en unit is met de aarde verbonden
- Controleer de totale lengte van de leiding en registreer de hoeveelheid extra koudemiddel
- De voedingsspanning dient te corresponderen met de nominale stroom van de airconditioner
- Leidingisolatie
- Afvoerleiding



6.2 HANDMATIGE BEDIENING

De unit kan handmatig worden bediend door te drukken op de toets Handmatige bediening. Druk herhaaldelijk op de handmatige toets om de modus te wijzigen. Dit gebeurt als volgt;

- Een keer = AUTO-modus [heat, cool of fan, 24 °C en automatische ventilatorsnelheid]
- Twee keer = COOLING-modus [schakelt na 30 minuten over naar AUTO-modus (voornamelijk gebruikt om te testen)]
- Drie keer = OFF (UIT)

6.3 TESTBEDRIJF

Schakel met de afstandsbediening (of met de toets handmatige bediening) de airconditioner in de COOLING-modus en controleer de werking van de binnenunit en de buitenunit. Los eventuele storing op aan de hand van het hoofdstuk 'Problemen oplossen' in de 'Handleiding voor reparatie en onderhoud'.

Binnenunit

- Of de toetsen (bijv. ON/OFF, MODE, TEMPERATURE, FAN SPEED etc.) op de afstandsbediening correct werken.
- Of de lamellen zich normaal bewegen.
- Of de kamertemperatuur goed wordt geregeld.
- Of de indicatorlampjes op het display normaal werken.
- Of de toets handmatige bediening goed werkt.
- Of de afvoer normaal verloopt.
- Of er sprake is van trillingen of abnormale geluiden tijdens bedrijf.
- Of de binnenunit goed werkt in de modus COOLING of HEATING.

Buitenunit

- Of er sprake is van trillingen of abnormale geluiden tijdens bedrijf.
- Of de luchtstroom, het geluid of het condenswater afkomstig van de airconditioner zorgt voor burenoverlast.
- Of er sprake is van lekkend koudemiddel.

⚠ VOORZICHTIG

- Als de unit opnieuw wordt opgestart, dan gebeurt dit om veiligheidsredenen met ongeveer 3 minuten vertraging.

7. ONDERHOUDSINFORMATIE

7.1 CONTROLE VAN DE BEDRIJFSRUIMTE

Voordat er kan worden gewerkt aan systemen die ontvlambare koudemiddelen bevatten, moeten er veiligheidscontroles worden uitgevoerd om het risico op ontsteking tot een minimum te beperken. De volgende voorzorgsmaatregelen dienen in acht te worden genomen voordat er reparaties aan het koelsysteem worden uitgevoerd.

7.2 WERKPROCEDURE

De werkzaamheden moeten volgens een gecontroleerde procedure worden uitgevoerd om het risico op de aanwezigheid van een ontvlambaar gas of een ontvlambare damp tijdens de werkzaamheden tot een minimum te beperken.

7.3 ALGEMENE WERKOMGEVING

Al het onderhoudspersoneel en alle overige personen in de werkomgeving moeten worden geïnformeerd over de aard van de werkzaamheden die worden uitgevoerd. Werkzaamheden in besloten ruimtes moeten worden voorkomen. Het gebied rond de werkomgeving moet worden afgesloten. Zorg ervoor dat er veilig in de werkomgeving kan worden gewerkt door te controleren op de aanwezigheid van ontvlambare stoffen.

7.4 CONTROLEREN OP DE AANWEZIGHEID VAN KOUEDEMIDDEL

De omgeving moet voor en tijdens de werkzaamheden worden gecontroleerd met een geschikte koudemiddeldetector, zodat de monteur weet of er ontvlambare stoffen aanwezig zijn. Zorg ervoor dat de apparatuur voor lekdetectie geschikt is voor detectie van ontvlambare koudemiddelen, d.w.z. geen vonken afgeeft, goed is afgedicht en intrinsiek veilig is.

7.5 AANWEZIGHEID VAN EEN BRANDBLUSSE

Als er heet werk aan de koelapparatuur of bijbehorende onderdelen moet worden uitgevoerd, moet er geschikte blusapparatuur aanwezig zijn. Zorg dat er een CO₂- of poederblusser in de buurt van de werkomgeving aanwezig is.

7.6 GEEN ONTSTEKINGSBRONNEN

Niemand die aan een koudemiddelsysteem werkzaamheden verricht waarbij leidingen worden blootgelegd die ontvlambaar koudemiddel bevatten of hebben bevat, mag ontstekingsbronnen op zo'n manier gebruiken dat deze een risico op brand of explosie vormen. Alle mogelijke ontstekingsbronnen, waaronder brandende sigaretten, moeten op voldoende afstand worden gehouden van de omgeving waar installatie, reparatie, verwijdering of afvoer plaatsvindt, waarbij de mogelijkheid bestaat dat ontvlambaar koudemiddel vrijkomt. Vóór begin van de werkzaamheden moet het gebied rond de apparatuur worden gecontroleerd op de aanwezigheid van ontbrandingsgevaaren en ontstekingsrisico's. Er moeten borden worden geplaatst met de tekst "NIET ROKEN".

7.7 GEVENTILEERDE OMGEVING

Zorg ervoor dat de werkomgeving in de buitenlucht is of voldoende wordt geventileerd, voordat het systeem wordt geopend of heet werk wordt uitgevoerd. Tijdens de werkzaamheden moet er voortdurend ventilatie zijn. De ventilatie moet ervoor zorgen dat vrijgekomen koudemiddel wordt verspreid en bij voorkeur wordt afgegeven naar de buitenlucht.

7.8 CONTROLE VAN DE KOELAPPARATUUR

Bij de vervanging van elektrische componenten moeten componenten worden gebruikt die geschikt zijn voor het doel en die de juiste specificaties hebben. De onderhouds- en reparatiehandleidingen van de fabrikant moeten te allen tijde worden gevolgd. Neem in geval van twijfel contact op met de technische afdeling van de fabrikant. De volgende controles moeten worden uitgevoerd bij de installatie van apparatuur met ontvlambaar koudemiddel:

- de hoeveelheid koudemiddel moet in overeenstemming zijn met de omvang van de ruimte waarin de apparatuur met koudemiddel wordt geplaatst;
- de ventilatieapparatuur en -afvoer werken naar behoren en worden niet geblokkeerd;
- als een indirect koudemiddelcircuit wordt gebruikt, moeten de secundaire circuits worden gecontroleerd op de aanwezigheid van koudemiddel; markeringen op de apparatuur moeten zichtbaar en leesbaar zijn en blijven.
- markeringen en tekens die onleesbaar zijn, moeten worden vervangen;
- koudemiddelleidingen of -componenten moeten worden geïnstalleerd op een plaats waar de kans klein is dat ze zullen worden blootgesteld aan stoffen waardoor koudemiddelhoudende componenten kunnen gaan roesten, tenzij deze componenten zijn gemaakt van materiaal dat bestand is tegen corrosie of een geschikte bescherming hebben tegen corrosie.

7.9 CONTROLE VAN ELEKTRISCHE APPARATUUR

Als onderdeel van reparatie- en onderhoudswerkzaamheden van elektrische componenten moeten vooraf veiligheidscontroles worden uitgevoerd en moeten de componenten worden geïnspecteerd. Indien een defect wordt geconstateerd dat de veiligheid in gevaar kan brengen, mag er geen stroomtoevoer op het circuit worden aangesloten, voordat het defect adequaat is verholpen. Indien het defect niet direct kan worden verholpen, maar de bedrijfswerkzaamheden niet langer kunnen worden onderbroken, moet er een adequate tijdelijke oplossing worden gevonden. Van deze tijdelijke oplossing moet melding worden gemaakt bij de eigenaar van het apparaat, zodat alle partijen op de hoogte zijn.

Tot de veiligheidscontroles behoren:

- de condensatoren moeten worden ontladen: dit moet op een veilige manier worden gedaan om de kans op vonken te voorkomen
- er mogen geen actieve elektrische componenten en draden blootliggen tijdens opladen, herstellen of spoelen van het systeem;
- het systeem moet continu geaard zijn.

7.10 REPARATIE VAN AFGEDICHTE COMPONENTEN

- 10.1 Tijdens de reparatie van afdichte componenten moet alle stroomtoevoer worden losgekoppeld van het apparaat waaraan wordt gewerkt, voordat afdichtingen mogen worden verwijderd. Indien het absoluut noodzakelijk is dat er tijdens onderhoudswerkzaamheden stroomtoevoer naar het apparaat is, moet er een permanent werkende lekdetector worden geplaatst op het meest kritieke punt, zodat deze kan waarschuwen als er een gevaarlijke situatie optreedt.
- 10.2 Op de volgende punten moet bijzonder goed worden gelet om te voorkomen dat de behuizing van elektrische componenten tijdens werkzaamheden zijn beschermende functie niet verliest. Hiertoe behoort beschadiging van kabels, te veel aansluitingen, terminals die niet voldoen aan de oorspronkelijke specificaties, beschadiging van afdichtingen, niet goed passende wartels, enz.
 - Zorg ervoor dat het apparaat veilig is bevestigd.
 - Zorg ervoor dat afdichtingen of afdichtingsmateriaal niet in zodanig slechte staat verkeren dat ze de overdracht van ontvlambare dampen of gassen niet meer verhinderen. Vervangende onderdelen moeten voldoen aan de specificaties van de fabrikant.

OPMERKING: Het gebruik van siliconen als afdichtingsmiddel kan een negatief effect hebben op de effectiviteit van bepaalde typen lekdetectoren.

Intrinsiek veilige componenten hoeven vóór de werkzaamheden niet te worden geïsoleerd.

7.11 REPARATIE VAN INTRINSIEK VEILIGE COMPONENTEN

Stel het circuit niet bloot aan permanente inductie- of condensatorbelasting zonder van tevoren te controleren of deze belasting de toegestane stroomsterkte en het voltage van het apparaat niet overschrijdt. Intrinsiek veilige componenten zijn de enige componenten waaraan kan worden gewerkt als er stroom op staat en er ontvlambare gassen of dampen aanwezig zijn. Het testapparaat moet de juiste rating hebben. Vervang componenten uitsluitend met door de fabrikant gespecificeerde componenten. Andere componenten kunnen ontsteking van gelekt koudemiddel tot gevolg hebben.

7.12 BEKABELING

Controleer of de bekabeling niet onderhevig is aan slijtage, corrosie, excessieve druk, trillingen, scherpe randen of andere nadelige factoren in de bedrijfsomgeving. Houd ook rekening met de effecten van veroudering en de continue trillingen van bronnen als compressors en ventilatoren.

7.13 DETECTIE VAN ONTVLAMBAAR KOUEMIDDEL

Onder geen enkele omstandigheid mogen er ontstekingsbronnen worden gebruikt voor het zoeken naar of detecteren van lekkend koudemiddel. Er mogen geen lekzoeklampen of andere detectoren met open vlam worden gebruikt.

7.14 METHODEN VOOR LEKDETECTIE

De volgende lekdetectiemethoden zijn geschikt bevonden voor systemen die ontvlambaar koudemiddel bevatten. Er moeten elektronische lekdetectors worden gebruikt om ontvlambare koudemiddelen te detecteren. Het komt echter voor dat de gevoeligheid niet adequaat is, of opnieuw moet worden gekalibreerd. (Detectieapparatuur moet worden gekalibreerd in een ruimte die geen koudemiddel bevat.) Zorg ervoor dat de detector geen ontstekingsbron kan zijn en geschikt is voor het type koudemiddel. Lekdetectieapparatuur moet worden afgesteld op een percentage van de LFL van het koudemiddel en moet worden gekalibreerd voor het gebruikte koudemiddel en het bijbehorende gaspercentage (maximaal 25%). Lekdetectievloeistoffen zijn geschikt voor de meeste typen koudemiddel. Er mag geen reinigingsmiddel met chloor worden gebruikt, omdat het chloor kan reageren met het koudemiddel en de koperen leidingen kan corroderen. Bestaat het vermoeden dat er een lek is, moeten alle open vlammen worden verwijderd of gedoofd. Indien een koudemiddellek wordt gevonden en er gesoldeerd moet worden, moet al het koudemiddel uit het systeem worden verwijderd of met behulp van ventielen worden geïsoleerd in een deel van het systeem dat zich op afstand bevindt van het lek. Zowel vóór als tijdens het solderen moet het systeem worden gespoeld met zuurstofvrije stikstof.

7.15 VERWIJDEREN EN VACUÛM ZUIGEN

Er worden algemene procedures gehanteerd voor reparatie- of andere werkzaamheden aan het koudemiddelcircuit. Houd met het oog op de ontvlambaarheid van koudemiddelen de volgende maatregelen in acht. De volgende procedure moet worden gevolgd:

- verwijder het koudemiddel;
- spoel het circuit met inert gas;
- zuig het systeem vacuüm;
- spoel opnieuw met inert gas;
- open het circuit met een snij-, knip- of soldeergereedschap.

Het verwijderde koudemiddel moet worden opgevangen in de juiste verzamelcilinders. Het systeem moet worden doorgespoeld met zuurstofvrije stikstof om het systeem veilig te maken. Het komt voor dat dit proces enkele malen moet worden herhaald.

Hiervoor mag geen gebruik worden gemaakt van perslucht of zuurstof.

Het doorspoelen gebeurt door het vacuüm in het systeem op te heffen met zuurstofvrije stikstof tot de bedrijfsdruk is bereikt, de stikstof te laten ontsnappen in de omgevingslucht en het systeem vervolgens opnieuw vacuüm te zuigen. Dit proces moet worden herhaald tot er geen koudemiddel meer in het systeem aanwezig is.

Wanneer er voor het laatst zuurstofvrije stikstof is toegepast, moet dit worden vrijgegeven aan de omgevingslucht tot de omgevingsdruk is bereikt. Vervolgens kan er met de werkzaamheden worden begonnen. Deze handelingen zijn absoluut noodzakelijk wanneer er aan de leidingen soldeerwerkzaamheden moeten worden uitgevoerd. Zorg ervoor dat de afvoer van de vacuümpomp zich niet in de buurt van ontstekingsbronnen bevindt en er voldoende ventilatie aanwezig is.

7.16 VULPROCEDURE

Naast de algemene vulprocedures moeten de volgende stappen worden gevolgd:

- Zorg ervoor dat er bij het gebruik van de vulapparatuur geen vermenging van verschillende koudemiddelen optreedt. Slangen en leidingen moeten zo kort mogelijk worden gehouden om de hoeveelheid koudemiddel tot een minimum te beperken.
- Cilinders moeten rechtop staan.
- Zorg ervoor dat het koudemiddelsysteem geaard is, voordat het systeem wordt gevuld met koudemiddel.
- Label het systeem wanneer het is gevuld (indien dit nog niet is gedaan).
- Het is uiterst belangrijk dat het systeem niet overmatig gevuld wordt.
- Voordat het systeem opnieuw wordt gevuld, moet er een druktest met zuurstofvrije stikstof worden uitgevoerd. Het systeem moet na het vullen, maar vóór ingebruikname worden getest op lekkage. Een tweede lekttest

7.17 ONTMANTELING

Voordat deze procedure wordt uitgevoerd, moet de monteur volledig bekend zijn met het apparaat. Het wordt aanbevolen dat alle koudemiddelen veilig worden opgevangen. Vóór het uitvoeren van de taak moet er een olie- en koudemiddelmonster worden genomen.

Voor het geval het opvangen koudemiddel vóór hergebruik moet worden geanalyseerd. Het is essentieel dat er stroomtoevoer is vóór de werkzaamheden beginnen.

- a) Raak vertrouwd met het apparaat en de werking ervan.
- b) Zorg voor elektrische isolatie van het systeem.
- c) Zorg er vóór begin van de procedure voor dat:
 - er mechanische apparatuur aanwezig is voor de koudemiddelcilinders;
 - alle persoonlijke beschermingsmiddelen aanwezig zijn en juist worden gebruikt;
 - er te allen tijde toezicht is op het opvangproces door een competente persoon;
 - opvangapparatuur en -cilinders voldoen aan de juiste normen;
- d) Pomp het koudemiddelsysteem indien mogelijk leeg.
- e) Als gebruik van een vacuümpomp niet mogelijk is, moet een verdeelstuk worden gebruikt zodat het koudemiddel van verschillende onderdelen van het systeem kan worden verwijderd.
- f) Zorg ervoor dat de cilinder op de weegschaal staat voordat het koudemiddel wordt opgevangen.
- g) Start de opvangmachine en bedien deze volgens de instructies van de fabrikant.
- h) Overvul de cilinder niet. (Niet meer dan 80% van het vloeistofvolume.)
- i) Overschrijd de maximale werkdruk van de cilinder niet, ook niet tijdelijk.
- j) Als de cilinders correct zijn gevuld en het proces is voltooid, moeten de cilinders en het apparaat snel van de locatie worden verwijderd en moeten alle isolatieventielen op het apparaat worden afgesloten.
- k) Verzameld koudemiddel mag pas voor een ander koudemiddelsysteem worden gebruikt, als het is schoongemaakt en gecontroleerd.

7.18 LABELING

Het apparaat moet worden voorzien van een label waarop staat vermeld dat het apparaat is ontmanteld en dat het koudemiddel is verwijderd. Het label moet worden gedateerd en ondertekend. Zorg ervoor dat er labels op de cilinders aanwezig zijn met de vermelding dat de cilinders ontvlambaar koudemiddel bevatten.

7.19 OPVANGEN

- Bij het opvangen van koudemiddel van een systeem voor onderhoud of ontmanteling moeten alle koudemiddelen op een veilige manier worden verwijderd.
- Wanneer koudemiddel wordt opgevangen in cilinders mogen uitsluitend geschikte cilinders voor koudemiddel worden gebruikt. Zorg ervoor dat er voldoende cilinders aanwezig zijn om al het koudemiddel in het systeem op te vangen. Alle cilinders die worden gebruikt, zijn bestemd voor het opvangen van koudemiddel en moeten als zodanig worden gelabeld (d.w.z. speciale cilinders voor het opvangen van koudemiddel). De cilinders moeten compleet zijn, met een overdrukventiel en afsluitventielen en alle onderdelen moeten in goede staat verkeren.
- Lege opvangcilinders moeten met een vacuümpomp worden geleegd en, indien mogelijk, gekoeld vóór het opvangen van het koudemiddel.
- De opvangapparatuur moet in goede conditie zijn, moet voorzien zijn van instructies en moet geschikt zijn voor het opvangen van ontvlambare koudemiddelen. Daarnaast moet er een gekalibreerde weegschaal aanwezig zijn die in goede staat verkeert.
- Slangen moeten intact zijn, compleet met lekvrije koppelstukken. Controleer vóór gebruik of de opvangmachine in goede staat verkeert, goed is onderhouden en dat alle elektrische componenten zijn afgedicht om ontsteking te voorkomen in het geval koudemiddel vrijkomt. Neem in geval van twijfel contact op met de fabrikant.
- Het opvangen koudemiddel moet in de correcte opvangcilinders worden geretourneerd aan de leverancier van het koudemiddel en het relevante document voor afvalverwerking moet worden ingevuld. Meng geen koudemiddelen in opvangunits en in het bijzonder niet in cilinders.
- Indien er compressoren of compressorolie moet(en) worden verwijderd, moet de olie tot een acceptabel niveau worden afgezogen met een vacuümpomp, zodat er geen ontvlambaar koudemiddel in de olie achterblijft. Het vacuümproces moet vóór retournering van de compressor aan de leverancier worden uitgevoerd. Om het proces te versnellen, mag de compressorbehuizing uitsluitend elektrisch worden verwarmd. Olie moet altijd voorzichtig uit een systeem worden verwijderd.

7.20 TRANSPORT, MARKERING EN OPSLAG VAN UNITS

1. Transport van apparatuur die ontvlambaar koudemiddel bevat
Naleving van transportwetgeving
2. Markering van apparatuur met symbolen
Naleving van lokale wetgeving
3. Verwijdering van apparatuur die ontvlambaar koudemiddel bevat
Naleving van nationale wetgeving
4. Opslag van apparatuur
De opslag van apparatuur moet in overeenstemming zijn met de instructies van de fabrikant.
5. Opslag van verpakte (niet-verkochte) apparatuur
De opslagverpakking moet zodanig worden beschermd dat mechanische beschadiging van de apparatuur in de verpakking niet kan resulteren in lekkage van het koudemiddel.
Het maximum aantal apparaten dat samen mag worden opgeslagen, wordt bepaald door lokale wetgeving.

Produkt ten został uznany za zgodny z dyrektywą niskonapięciową (2014/35/WE) oraz dyrektywą kompatybilności elektromagnetycznej (2004/30/WE) Unii Europejskiej.



Prawidłowe usuwanie produktu (zużyty sprzęt elektryczny i elektroniczny)

(W przypadku korzystania z klimatyzatora w krajach Unii Europejskiej, należy przestrzegać poniższych wytycznych).

- To oznaczenie na produkcie lub w jego dokumentacji wskazuje, że zużyty sprzęt elektryczny i elektroniczny (WEEE zgodnie z dyrektywą 2012/19/WE) nie powinien być mieszany z ogólnymi odpadami z gospodarstwa domowego. Usunięcie tego urządzenia wraz z ogólnymi odpadami gospodarstwa domowego jest zabronione. Istnieje kilka możliwości utylizacji produktu:
 1. Władze miejskie ustanowiły system odbioru, w ramach którego można bezpłatnie przekazać zużyty sprzęt elektroniczny.
 2. W przypadku zakupu nowego produktu, sprzedawca odbierze stary produkt co najmniej bezpłatnie.
 3. Producent odbierze stare urządzenie od użytkownika celem usunięcia, co najmniej bezpłatnie.
 4. Jako że produkt zawiera cenne materiały, można go sprzedać firmom specjalizującym się w odzysku złomu. Nielegalne wyrzucanie odpadów w lasach i na innych terenach zielonych stwarza zagrożenie dla zdrowia, ponieważ grozi przeniknięciem niebezpiecznych substancji do wód gruntowych i za ich pośrednictwem do łańcucha pokarmowego.

Ten produkt zawiera gazy fluorowane objęte protokołem z Kioto.

Nazwa chemiczna gazu	R32
Potencjał tworzenia efektu cieplarnianego (GWP) gazu	675

UWAGA

1. Przykleić załączoną etykietę czynnika chłodniczego obok punktu napełniania i/lub odzyskiwania.
2. Wyraźnie zapisać ilość czynnika chłodniczego na etykiecie pisakiem permanentnym.
3. Zapobiec emisji gazu fluorowanego z urządzenia. Nie dopuścić do uwolnienia gazu fluorowanego do atmosfery w czasie montażu, obsługi technicznej lub utylizacji. Wszelkie wykryte wycieki gazu fluorowanego z urządzenia należy niezwłocznie zatrzymać i usunąć.
4. Wyłącznie wykwalifikowani pracownicy mogą uzyskać dostęp do produktu i dokonywać jego obsługi technicznej.
5. Wszystkie operacje obejmujące prace z gazem fluorowanym zawartym w niniejszym produkcie, takie jak przemieszczanie produktu lub uzupełnianie gazu należy wykonywać zgodnie z Rozporządzeniem (WE) nr 517/2014 w sprawie niektórych fluorowanych gazów cieplarnianych oraz obowiązujących lokalnych przepisów.
6. Jeżeli w systemie zamontowano układ wykrywania nieszczelności, należy sprawdzać go pod kątem wycieków co 12 miesięcy.
7. Jeśli jednostka jest sprawdzana pod kątem wycieków, zaleca się utrzymywanie odpowiedniego dziennika wszystkich inspekcji.

Jednostka wewnętrzna	Jednostka zewnętrzna	Napięcie znamionowe i Hz
42QHP09E8S*	38QHP09E8S*	220-240 V~, 50 Hz
42QHP12E8S*	38QHP12E8S*	

Producent zastrzega sobie prawo do zmiany danych technicznych bez uprzedzenia.

SPIS TREŚCI

1. PRZYGOTOWANIE DO MONTAŻU.....	3
1.1 Środki ostrożności	3
1.2 Akcesoria	5
1.3 Wybór miejsca montażu	6
2. MONTAŻ JEDNOSTKI WEWNĘTRZNEJ	7
2.1 Płyta montażowa jednostki wewnętrznej	7
2.2 Proces montażu	8
3. MONTAŻ JEDNOSTKI ZEWNĘTRZNEJ	9
3.1 Wymiary montażowe jednostki zewnętrznej	9
3.2 Wymagania dotyczące powierzchni potrzebnej do montażu jednostki zewnętrznej	9
3.3 Zewnętrzne połączenia przewodowe	10
3.4 Montowanie jednostki zewnętrznej	10
3.5 Montowanie przewodu odpływowego jednostki zewnętrznej	10
4. MONTAŻ RUR Z CZYNNIKIEM CHŁODNICZYM	11
4.1 Poszerzanie	11
4.2 Montowanie rur	11
4.3 Rura z czynnikiem chłodzącym	12
4.4 Odprowadzanie powietrza	12
4.5 Próba szczelności	12
5. OKABLOWANIE	13
6. KONTROLA KOŃCOWA I PRÓBA DZIAŁANIA	14
6.1 Lista kontrolna po zakończeniu montażu.....	14
6.2 Obsługa ręczna.....	14
6.3 Próba działania	14
7. INFORMACJE DOTYCZĄCE KONSERWACJI	15



Uwaga: Ryzyko pożaru tylko dla czynnika chłodniczego R32 / R290

1.1 ŚRODKI OSTROŻNOŚCI

- Montaż, uruchomienie i obsługa techniczna urządzeń klimatyzacyjnych wiąże się z zagrożeniami wynikającymi z pracy z układami pod ciśnieniem, podzespołami elektrycznymi oraz z niebezpiecznymi miejscami montażu (dachy, praca na wysokości itp.).
- Montaż, uruchomienie i obsługa techniczna tych urządzeń powinna być przeprowadzana wyłącznie przez przeszkolonych i wykwalifikowanych monterów oraz serwisantów.
- W czasie pracy z urządzeniem należy przestrzegać środków ostrożności podanych w dokumentacji oraz na oznaczeniach, naklejkach i etykietach umieszczonych na urządzeniu.
- Należy przestrzegać wszelkich przepisów bezpieczeństwa. Stosować okulary ochronne i rękawice robocze. W czasie lutowania należy mieć przygotowany koc gaśniczy i gaśnicę. W czasie przenoszenia, podłączania i ustawiania urządzeń o dużym rozmiarze należy zachować ostrożność.
- Należy dokładnie zapoznać się z wszelkimi ostrzeżeniami i uwagami zawartymi w dokumentacji oraz umieszczonymi na sprzęcie i przestrzegać ich. Informacje na temat wymagań specjalnych można znaleźć w kodeksie budowlanym i krajowych przepisach dotyczących instalacji elektrycznych.

! OSTRZEŻENIE

Ten symbol informuje o ryzyku odniesienia obrażeń ciała lub utraty życia.

- **Gazowy czynnik chłodniczy jest cięższy od powietrza i wypiera tlen. Znaczny wyciek może spowodować zmniejszenie stężenia tlenu (szczególnie w piwnicach) co stwarza ryzyko uduszenia i poważnych obrażeń lub śmierci.**
- **W przypadku, gdy klimatyzator jest zamontowany w małym pomieszczeniu, należy podjąć odpowiednie kroki, aby zapewnić, że stężenie wyciekającego czynnika chłodniczego w pomieszczeniu nie przekracza poziomu krytycznego.**
- **Jeżeli w czasie montażu dojdzie do wycieku gazowego czynnika chłodniczego, należy niezwłocznie wywietrzyć pomieszczenie.**
Gazowy czynnik chłodniczy może przekształcić się w gaz toksyczny w przypadku zetknięcia z wysoką temperaturą generowaną przez grzałki, nagrzewnice lub urządzenia do gotowania. Kontakt z takim gazem może prowadzić do poważnych obrażeń lub śmierci.
- **Przed rozpoczęciem prac przy instalacji elektrycznej należy wyłączyć zasilanie. Przewód połączeniowy należy podłączyć prawidłowo.**
Nieprawidłowe podłączenie może skutkować uszkodzeniem układu elektrycznego.
- **Do podłączeń elektrycznych należy zastosować określone kable, a przewody należy solidnie podłączyć do elementów podłączeniowych listwy zaciskowej, aby nie dopuścić do oddziaływania sił zewnętrznych na listwę.**
- **Należy zapewnić uziemienie.**
Jednostek nie należy uziemiać poprzez podłączenie do przewodów instalacji gazowej, przewodów instalacji wodociągowej, zwodów pionowych czy przewodów telefonicznych. Nieprawidłowe uziemienie może prowadzić do porażenia prądem elektrycznym skutkującym poważnymi obrażeniami lub śmiercią.
- **Opakowanie należy zutylizować w sposób bezpieczny.**
Elementy opakowania takie jak gwoździe i pozostałe przedmioty metalowe lub drewniane mogą spowodować rany oraz innego rodzaju obrażenia. Należy podrzeć i wyrzucić plastikowe torby, tak aby uniemożliwić dzieciom zabawę nimi. Udostępnienie plastikowych toreb dzieciom do zabawy naraża je na ryzyko uduszenia.
- **Nie montować urządzenia w pobliżu miejsc o wysokim stężeniu łatwopalnych gazów lub oparów.**
- **Należy korzystać z dostarczonych lub wskazanych elementów montażowych.**
Niezastosowanie się do tego zalecenia może spowodować poluzowanie mocowania jednostki, wyciek wody, porażenie prądem elektrycznym, pożar lub uszkodzenie urządzenia.
- **W czasie montażu lub przenoszenia urządzenia nie wolno dopuścić do wniknięcia do obiegu chłodniczego powietrza ani substancji innych niż wskazany czynnik chłodniczy (R410A).**
- **Nie wolno modyfikować tej jednostki poprzez demontaż osłon lub obejście zabezpieczeń.**
- **Instalację elektryczną należy wykonać zgodnie z instrukcją montażu oraz krajowymi i lokalnymi przepisami dotyczącymi instalacji elektrycznych.**

! OSTRZEŻENIE

- **Należy wykorzystać dedykowany obwód zasilania. Nie wolno podłączać urządzenia do gniazdka współdzielonego przez inne urządzenia.**
- **Aby uniknąć zagrożeń wynikających z przypadkowego zresetowania wyłącznika termicznego, urządzenia nie można zasilac z wykorzystaniem zewnętrznego urządzenia przełączającego, takiego jak wyłącznik czasowy, ani podłączać do obwodu, który jest często włączany i wyłączany przez dostawcę.**
- **Do wykonania połączeń elektrycznych należy stosować zalecane przewody z izolacją zabezpieczoną rękawem izolującym o odpowiedniej wytrzymałości termicznej.**
Przewody niezgodne z tymi zaleceniami mogą powodować upływ prądu, nadmierne wytwarzanie ciepła lub pożar.
- **Nie stosować metod przyspieszania odszraniania lub czyszczenia, innych niż zalecane przez producenta.**
- **Urządzenie należy przechowywać w pomieszczeniu wolnym od ciągle działających źródeł zapłonu (np. otwarty płomień, urządzenie gazowe, grzejnik elektryczny).**
- **Nie przekuwać ani nie spalać.**
- **Należy pamiętać, że czynniki chłodnicze mogą nie wydzielać zapachu.**
- **Urządzenie należy przechowywać w dobrze wentylowanym miejscu, w pomieszczeniu o rozmiarach określonych dla uruchamiania urządzenia.**
- **W przypadku modeli z czynnikiem chłodniczym R32:**
Urządzenie należy montować, uruchamiać i przechowywać w pomieszczeniu o powierzchni przekraczającej 4 m².
Urządzenia nie należy instalować w niewentylowanym pomieszczeniu, jeśli jego powierzchnia nie przekracza 4 m².
- **W przypadku modeli z czynnikiem chłodniczym R290 minimalny rozmiar pomieszczenia to:**
≤ 9000 Btu/h: 13 m²
> 9000 Btu/h i ≤ 12 000 Btu/h: 17 m²
> 12 000 Btu/h i ≤ 18 000 Btu/h: 26 m²
> 18 000 Btu/h i ≤ 24 000 Btu/h: 35 m²

! UWAGA

Ten symbol informuje o ryzyku uszkodzenia maszyny lub powstania poważnych strat.

- **Aby uniknąć obrażeń ciała, należy zachować ostrożność w czasie pracy z częściami o ostrych krawędziach.**
- **Nie wolno montować jednostki wewnętrznej i zewnętrznej w nietypowych warunkach otoczenia.**
- **Nie montować w miejscu, w którym hałas generowany przez urządzenie jest wzmacniany ani w miejscu, w którym dźwięk i wywiewane powietrze mogą przeszkadzać sąsiadom.**
- **Prace związane z instalacją przewodów odprowadzających / rur należy wykonywać w bezpieczny sposób zgodnie z instrukcją montażu.**
Nieprawidłowy montaż przewodów odprowadzających może prowadzić do wycieku wody i powstania strat materialnych.
- **Klimatyzatora nie należy montować w następujących miejscach:**
 - Miejsce, w którym występuje olej mineralny lub kwas arsenowy.
 - Miejsce, w którym może dojść do nagromadzenia gazu żrącego (takiego jak gaz kwasu siarkowego) lub gazu palnego (takiego jak rozcieńczalnik) lub w którym występują lotne substancje palne.
 - Miejsce, w którym występują urządzenia generujące pola elektromagnetyczne lub harmoniczne o wysokiej częstotliwości.
- **Urządzenie należy przechowywać w sposób zapobiegający uszkodzeniom mechanicznym.**
- **Każda osoba zaangażowana w prace prowadzone na obwodzie czynnika chłodniczego lub jego przerywanie powinna mieć ważny certyfikat od właściwego organu certyfikującego z akredytacją przemysłową, który potwierdza umiejętności bezpiecznej obsługi czynników chłodniczych zgodnie z uznaną w przemyśle specyfikacją.**

1.2 AKCESORIA

Następujące akcesoria są dostarczane razem z jednostką. Typ i ilość mogą różnić się w zależności od specyfikacji.

Nazwa akcesoriów	Ilość (szt.)	Kształt	Nazwa akcesoriów	Ilość (szt.)	Kształt
Instrukcja	3		Pilot	1	
Końcówka spustowa	1		Bateria	2	
Uszczelka	1		Uchwyt na pilot	1	
Płyta montażowa	1		Śruba B	2	
Kotew	5		Mały filtr	1	
Śruba A	5		Pierścień magnetyczny (niektóre jednostki)	N*	

*zgodnie z bieżącą ilością

1.3 WYBÓR MIEJSCA MONTAŻU

Jednostka wewnętrzna

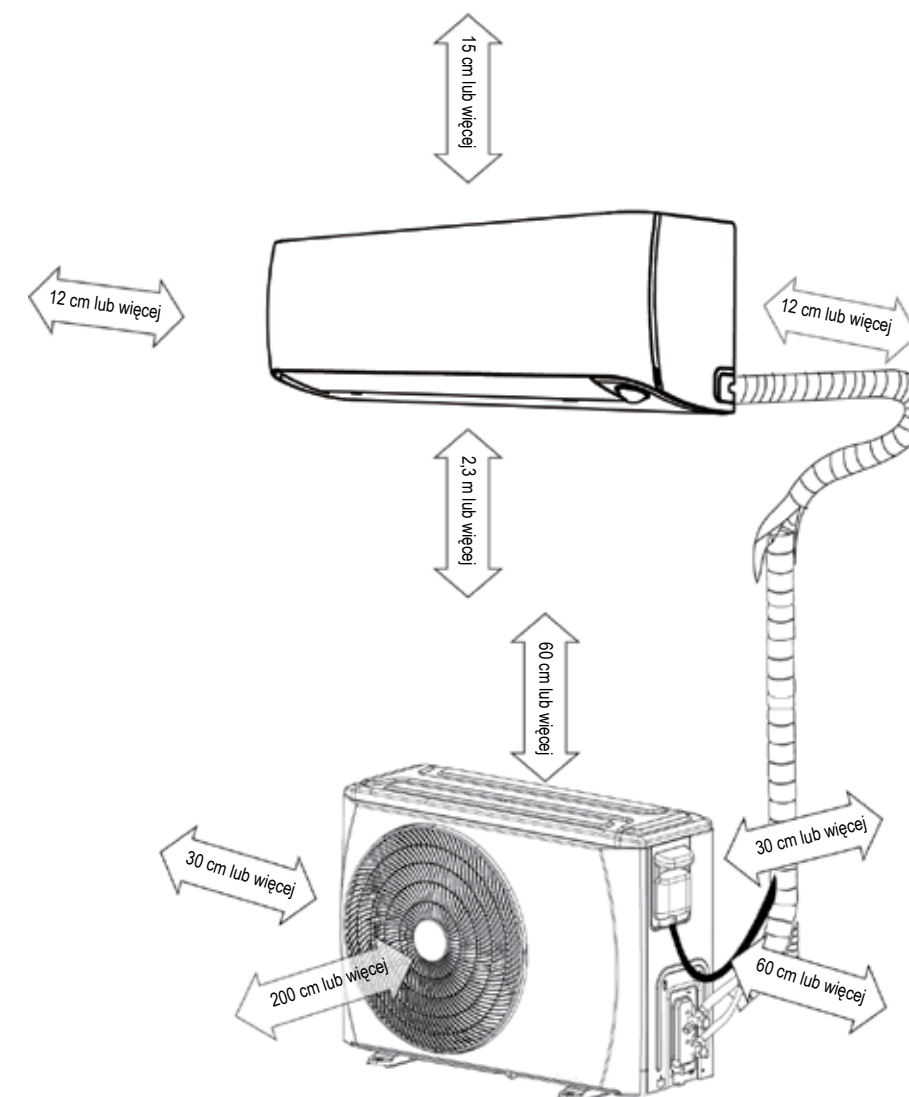
- Miejsce, które może wytrzymać ciężar jednostki wewnętrznej.
- Nie montować jednostek wewnętrznych w pobliżu źródła ciepła, np. bezpośrednich promieni słonecznych lub urządzenia grzewczego.
- Miejsce, które zapewnia odpowiednie odstępy zgodnie z rysunkiem poniżej.
- Ruchome części urządzenia należy zamontować/umieścić na wysokości co najmniej 2,3 m od podłoża.

Jednostka zewnętrzna

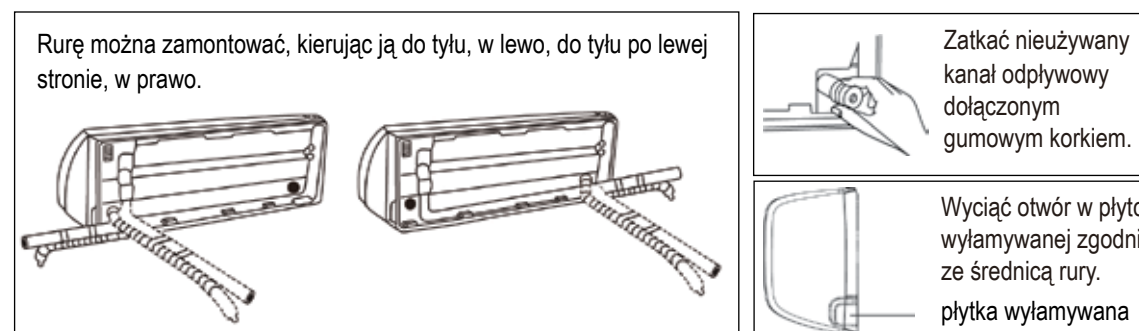
- Miejsce, które umożliwia wygodny montaż i nie jest narażone na silny wiatr. Jeżeli jednostka będzie wystawiona na działanie silnych wiatrów, zaleca się zastosowanie owiewki.
- Miejsce, które może wytrzymać ciężar jednostki zewnętrznej, oraz w którym jednostkę zewnętrzną można zamontować w poziomie.
- Miejsce, które zapewnia odpowiednie odstępy zgodnie z rysunkiem poniżej.

Nie wolno montować jednostki wewnętrznej i zewnętrznej w nietypowych warunkach otoczenia.

Potwierdzić dostępność miejsca niezbędnego do przeprowadzenia prac montażowych i konserwacyjnych.



Uwaga: Należy zachować odległości od ścian, stropu, ogrodzeń i innych przeszkód wskazanych za pomocą strzałek.



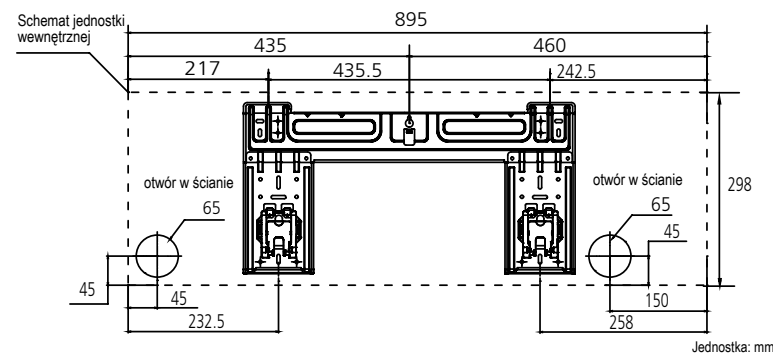
Rurę można zamontować, kierując ją do tyłu, w lewo, do tyłu po lewej stronie, w prawo.

Zatkać nieużywany kanał odpływowy dołączonym gumowym korkiem.

Wyciąć otwór w płycie wylamywanej zgodnie ze średnicą rury.
płytkę wylamywaną

2. MONTAŻ JEDNOSTKI WEWNĘTRZNEJ

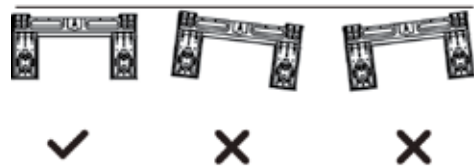
2.1 PŁYTA MONTAŻOWA JEDNOSTKI WEWNĘTRZNEJ



Uwaga: Jeśli przewód łączący po stronie gazowej ma \varnothing 16 mm (5/8") lub więcej, otwór na rurę powinien mieć 90 mm (3,54").

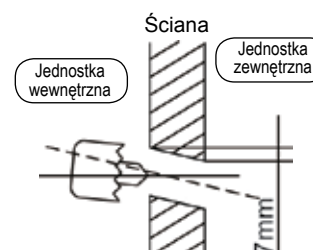
■ Instalacja płyty montażowej

Przymocować płytę montażową poziomo i równo na ścianie za pomocą przynajmniej pięciu śrub typu A.



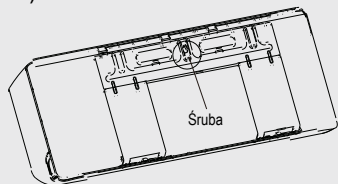
■ Wywiercenie otworu w ścianie

Wywiercić w ścianie otwór o średnicy 65 mm lub 90 mm (w zależności od modelu), który będzie lekko odchyłony na zewnątrz.



Uwaga:

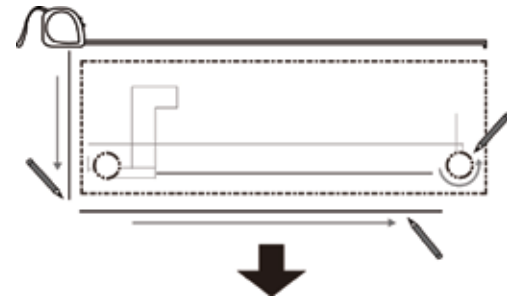
■ Płyta montażowa jest przykręcona śrubą ułatwiającą transport. Przed jej montażem należy usunąć śrubę. (Patrz rysunek).



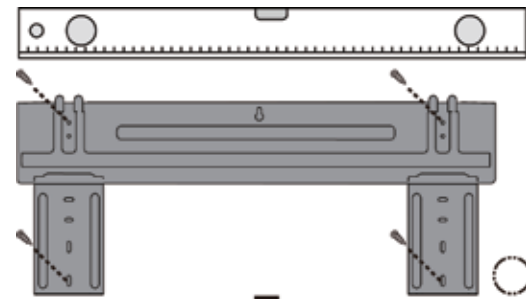
■ Płyta montażowa będzie wyglądać podobnie do przedstawionej, w zależności od rozmiaru jednostki. Otwory na kotwy mocujące powinny mieć średnicę 5 mm.

2.2 PROCES MONTAŻU

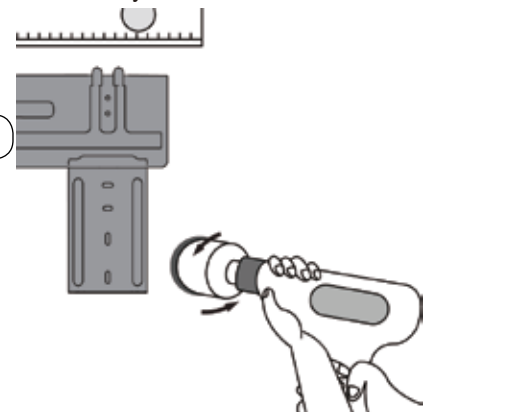
Krok 1: Określić położenie otworu w ścianie



Krok 2: Przyłożyć płytę montażową

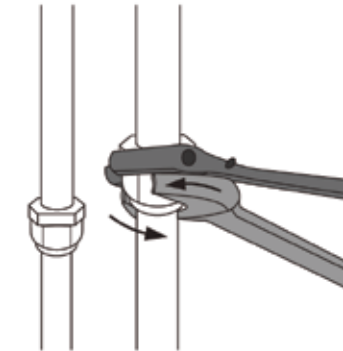


Krok 3: Wywiercić otwór w ścianie

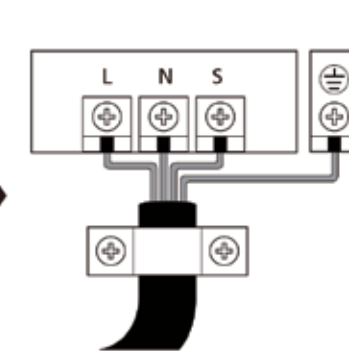


2. MONTAŻ JEDNOSTKI WEWNĘTRZNEJ

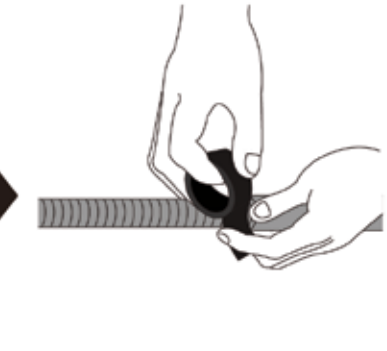
Krok 4: Podłączyć rurę



Krok 5: Podłączyć przewód



Krok 6: Przygotować przewód spustowy



Krok 8: Zawiesić jednostkę wewnętrzną

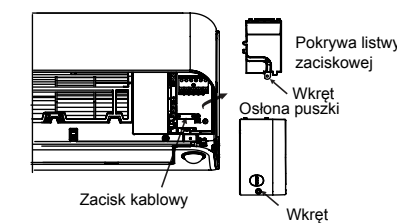
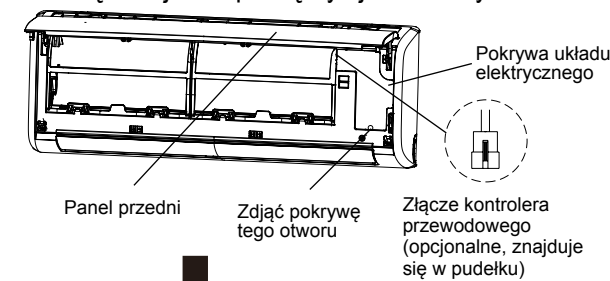


Krok 7: Owinąć rurę i przewód



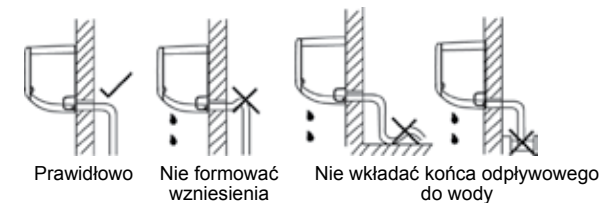
■ Podłączenie przewodów wewnętrznych

1. Podnieść panel przedni jednostki wewnętrznej.
2. Otworzyć pokrywę układów elektrycznych jednostki wewnętrznej, wkładając śrubokręt do otworu, zdjęć pokrywę listy zaciskowej ręką, a następnie zdjęć zacisk przewodów poprzez poluzowanie śrub.
3. Przeprowadzić przewody połączeniowe z tyłu jednostki wewnętrznej oraz podłączyć je do listwy zaciskowej.



■ Odprowadzenie

Przewód spustowy nie może być nadmiernie zagięty na całej długości, musi być skierowany w dół i być izolowany do poziomu ściany zewnętrznej.



■ Owijanie rur

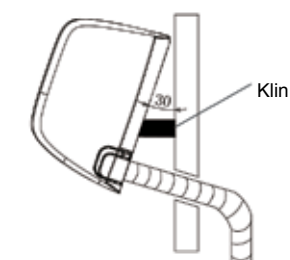
Informacje na temat prawidłowego ustawienia rur czynnika chłodniczego i spustowych oraz przewodu elektrycznego znaleźć można na poniższym rysunku:

- Umieścić przewód spustowy poniżej rur czynnika chłodniczego.
- Upewnić się, że przewód spustowy nie jest obciążony ani powyginany.



■ Wieszanie jednostki wewnętrznej

1. Przeprowadzić przewody czynnika chłodniczego przez otwór w ścianie.
2. Zawiesić jednostkę wewnętrzną na górnym haku płyty montażowej, a następnie docisnąć jej dolną część do ściany, aby zaczepić o dolny hak.
3. Spróbować poruszyć jednostką na boki oraz w górę i w dół, aby upewnić się, że jest prawidłowo zawieszona.



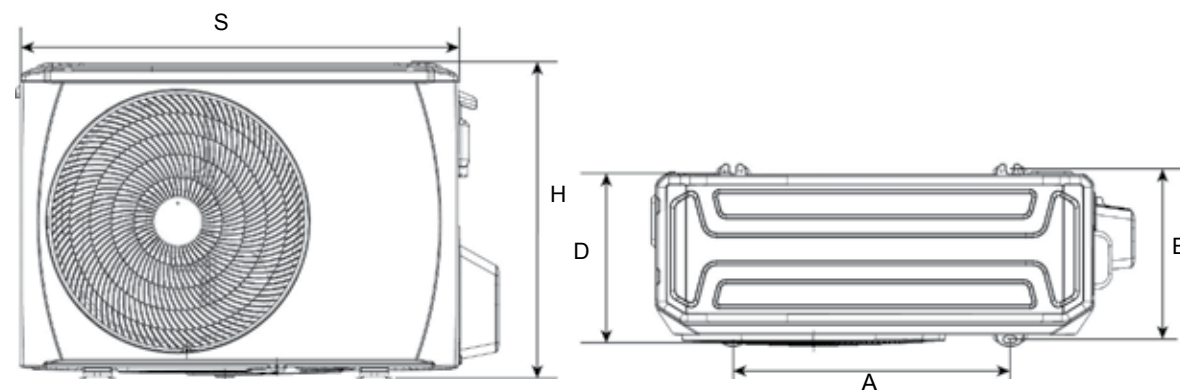
⚠ UWAGA

- Złącza rury łączącej muszą być umieszczone na zewnątrz pomieszczenia.

3. MONTAŻ JEDNOSTKI ZEWNĘTRZNEJ

3.1 WYMIARY MONTAŻOWE JEDNOSTKI ZEWNĘTRZNEJ

Wymiary montażowe zależą od typu jednostki zewnętrznej.
Średnica łba śruby mocującej musi być większa niż 12mm.

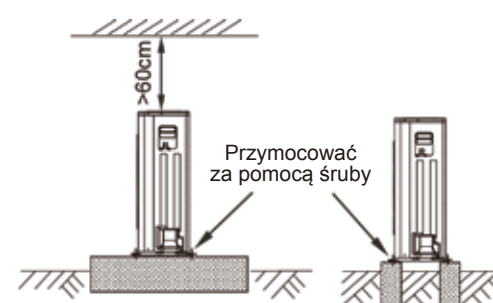
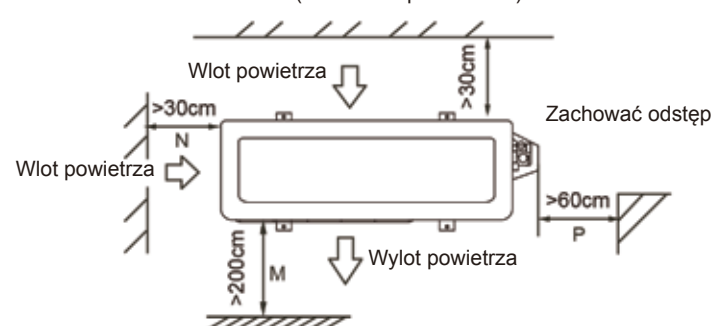


Wymiary jednostki zewnętrznej (mm)			Wymiary montażowe (mm)		
Jednostka zewnętrzna	S	H	D	A	B
38QHP09E8S 38QHP12E8S	800	554	333	515	340

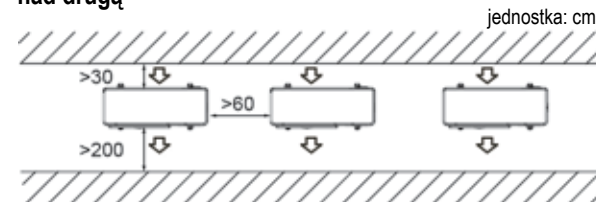
3.2 WYMAGANIA DOTYCZĄCE POWIERZCHNI POTRZEBNEJ DO MONTAŻU JEDNOSTKI ZEWNĘTRZNEJ

Montaż pojedynczej jednostki

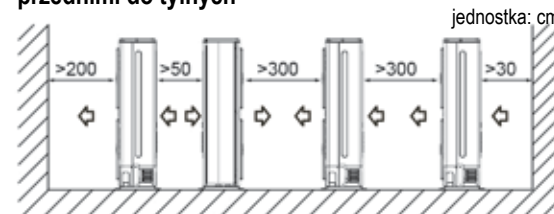
(Ściana lub przeszkoda)



Połączenie dwóch jednostek równolegle lub jedna nad drugą



Połączenie dwóch jednostek równolegle stronami przednimi do tylnych



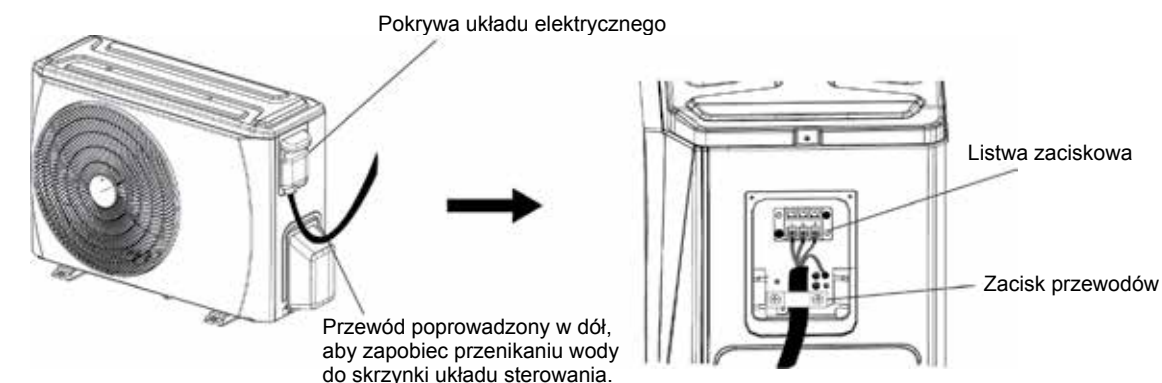
UWAGA

- W regionach, w których występują opady śniegu i niskie temperatury, należy unikać montażu jednostki zewnętrznej w miejscach, w których może zostać pokryta śniegiem. Jeżeli spodziewane są duże opady śniegu, należy zamontować dostarczaną lokalnie osłonę przed lodem lub śniegiem i/lub owiewkę, aby zabezpieczyć jednostkę przed obciążeniem śniegiem i/lub zablokowaniem wlotu powietrza.

3. MONTAŻ JEDNOSTKI ZEWNĘTRZNEJ

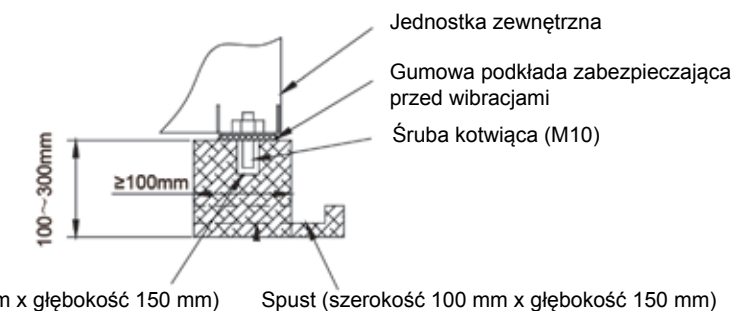
3.3 PODŁĄCZENIE PRZEWODÓW DO JEDNOSTKI ZEWNĘTRZNEJ

- Usunąć pokrywę układu elektrycznego i zacisk przewodów poprzez poluzowanie śrub.
- Podłączyć przewody do listy zaciskowej jednostki zewnętrznej w tej samej kolejności, co w przypadku jednostki wewnętrznej.



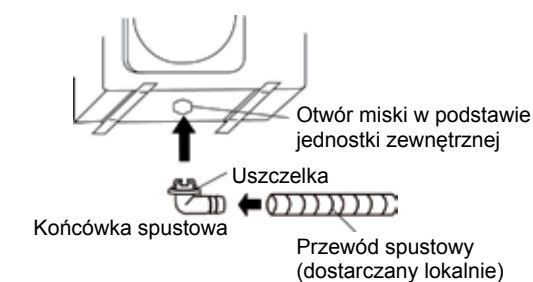
3.4 MONTAŻ JEDNOSTKI ZEWNĘTRZNEJ

- Przed montażem należy sprawdzić wytrzymałość i wyrównanie w poziomie podstawy, aby uniknąć generowania nietypowych dźwięków.
- Mocno zamocować podstawę kotwami (M10), aby zapobiec jej upadkowi.
- Zamocować ogumienie podstawy i gumowe podkładki zapobiegające wibracjom, aby bezpośrednio wesprzeć dolną powierzchnię nogi montażowej, która wchodzi w kontakt z dolną płytą jednostki zewnętrznej.



3.5 MONTAŻ PRZEWODU SPUSTOWEGO JEDNOSTKI ZEWNĘTRZNEJ

- Podłączyć wylot odpływu do przedłużającego przewodu spustowego.
- Zamocować uszczelkę w wylocie odpływu.
- Włożyć wylot odpływu do otworu w podstawie jednostki zewnętrznej i obrócić go o 90 stopni.





UWAGA

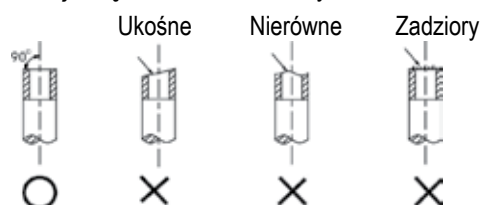
- Upewnić się, że różnica wysokości między jednostką wewnętrzną i jednostką zewnętrzną oraz łączna wysokość rur czynnika chłodniczego spełniają wymagania systemowe.
- Po montażu jednostki wewnętrznej i zewnętrznej następuje montaż rur czynnika chłodniczego. Najpierw podłączyć rury po stronie wewnętrznej, a następnie na zewnątrz.
- Zawsze utrzymywać zamknięte i uszczelnione końcówki rur (stosując zatyczkę lub taśmę) podczas montażu i NIE odkrywać końców rur przed osiągnięciem gotowości do ich podłączenia.
- Upewnić się, że wszelkie rury w terenie są odpowiednio zaizolowane aż do samego punktu podłączenia rur w jednostce wewnętrznej. Jakkolwiek część rury bez izolacji może powodować skraplanie lub poparzenia w przypadku dotknięcia.
- Jeśli jednostka zewnętrzna zajmuje górną pozycję, a różnica poziomów przekracza 10 m, zaleca się zastosowanie kolanka w kształcie litery U co 5-8 m w przewodzie gazowym. Promień łuku w kształcie litery U powinien wynosić powyżej 10 cm.

4.1 POSZERZANIE

UWAGA

- Narzędzia wymagane do poszerzania to: obcinak do rur, rozwiertak, narzędzie do poszerzania i uchwyt do rur.
- W przypadku modeli czynnika chłodniczego R32 punkty połączeń rurowych należy umieścić poza pomieszczeniem.

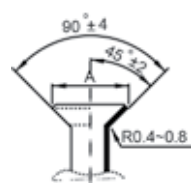
4.1.1 Za pomocą obcinaka do rur przyciąć rurę na wymaganą długość. Upewnić się, że krawędź cięcia zachowuje kąt 90° z bokiem rury.



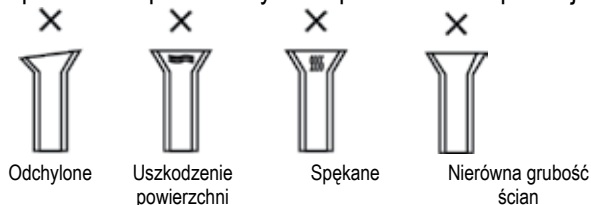
4.1.2 Za pomocą rozwiertaka usunąć zadziory, trzymając ciętą powierzchnię skierowaną w dół, aby odłamki nie wpadały do rury.

4.1.3 Prace związane z poszerzaniem rur należy wykonać z zastosowaniem wskazanych poniżej narzędzi do poszerzania.

Średnica zewnętrzna	A (mm)	
	Maks.	Min.
Ø 6,35 mm	8,7	8,3
Ø 9,52 mm	12,4	12,0
Ø 12,7 mm	15,8	15,4
Ø 15,88 mm	19,0	18,6
Ø 19,05 mm	23,3	22,9



4.1.4 Sprawdzić, czy prace związane z poszerzaniem zostały wykonane w prawidłowy sposób. Przykłady nieprawidłowo poszerzonych rur przedstawiono poniżej.

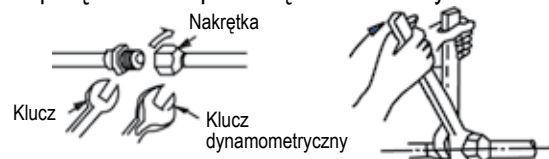


UWAGA

- Jeżeli zaistnieje konieczność lutowania, należy zastosować w tym celu gaz azotowy.
- Niewłaściwy moment obrotowy może doprowadzić do uszkodzenia poszerzenia lub wycieku gazu.

4.2 INSTALACJA RUR

4.2.1 Wyrównać środek, aby dokręcić nakrętkę i wykonać połączenie za pomocą dwóch kluczy.



Rozmiar rury	Moment obrotowy
Ø 6,35 mm	18 ~ 20 N.m
Ø 9,52 mm	25 ~ 26 N.m
Ø 12,7 mm	35 ~ 36 N.m
Ø 15,88 mm	45 ~ 47 N.m
Ø 19,05 mm	65 ~ 67 N.m

4.2.2 Wybrać odpowiedni materiał izolacyjny dla rury czynnika chłodniczego (min. 10 mm pianki do izolacji termicznej typu C).

- Dla rur z gazem i cieczą należy zastosować oddzielne rury termoizolacyjne.
- Powyższa grubość izolacji jest standardowa dla temperatury w pomieszczeniu wynoszącej 27°C i wilgotności 80%. W przypadku montażu w miejscach o niekorzystnych warunkach, na przykład w pobliżu łazienki, kuchni czy w podobnym miejscu, należy zapewnić lepszą izolację.
- Odporność izolacji na wysokie temperatury powinna być wyższa niż 120°C.
- Używać spoiw w miejscach łączenia części izolacji, aby zapobiegać przedostawaniu się wilgoci.
- Naprawić i zakryć wszelkie ewentualne pęknięcia w izolacji, zwłaszcza na zagięciach lub uchwytach do rur.

4.3 RURA Z CZYNNIKIEM CHŁODZĄCYM

Uwaga: Czynnik chłodniczy powinien być ładowany z portu serwisowego na zaworze niskiego ciśnienia jednostki zewnętrznej.

	Minimalna długość ograniczająca drgania i hałas	Długość niezmienną ilości czynnika	Dodatkowy czynnik na metr	
			Strona przewodu cieczowego: Ø 6,35 mm	Strona przewodu cieczowego: Ø 9,52 mm
R32*	3 m	5 m	12 g	24 g

* Należy korzystać z narzędzi do układów z czynnikiem R32.

UWAGA

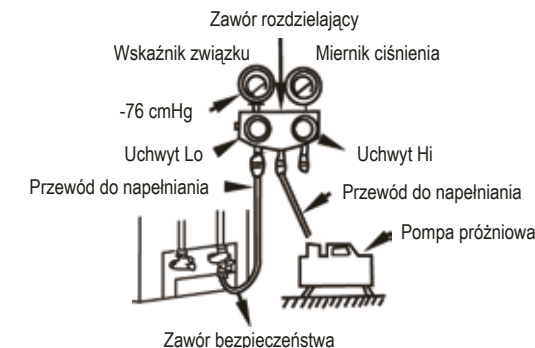
- Zwiększona długość rury będzie wpływać na możliwości i wydajność energetyczną jednostki.
- Sprawność nominalna jest testowana przy zastosowaniu rury o długości 5 m.
- Jeśli długość rury przekracza 5 m, należy dodać więcej czynnika chłodniczego zgodnie z długością rury.
- Poniżej przedstawiono maksymalne zalecane długości rur.

Modele	Przebiegiem R32	
	Maks. długość rury (m)	Maks. różnica w wysokości (m)
9K/12K	25	10

* Należy korzystać z narzędzi do układów z czynnikiem R32.

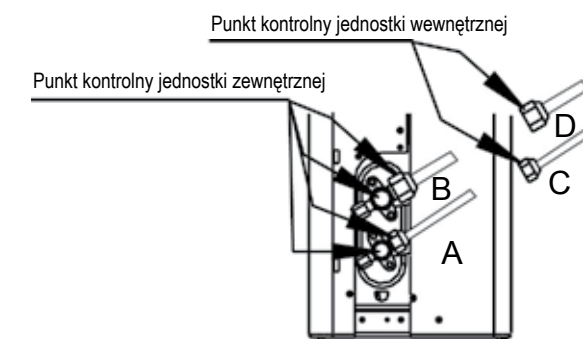
4.4 ODPROWADZANIE POWIETRZA

- Podłączyć przewód do napełniania z manometru trójdrożnego do portu serwisowego po stronie gazowej zaworu.
- Podłączyć przewód do napełniania do portu pompy próżniowej.
- W pełni otworzyć uchwyt Lo manometru trójdrożnego.
- Poczekać, aż pompa próżniowa usunie powietrze z systemu do poziomu -76 cmHg.
- Zamknąć uchwyt Lo manometru trójdrożnego.
- W pełni otworzyć trzonek zaworu dwudrożnego.
- Zdjąć przewód do napełniania z portu serwisowego.
- Dokręcić nakrętki zaworu dwudrożnego.



4.5 PRÓBA SZCZELNOŚCI

Po zakończeniu prac związanych z instalacją rur należy sprawdzić podłączenie każdej rury z czynnikiem chłodzącym pod kątem wycieku gazu stosując roztwór wody mydlanej lub detektor nieszczelności właściwy dla czynników chłodzących HFC. Patrz rysunek poniżej.



A: Zawór odcinający niskiego ciśnienia
C i D: Nakrętki jednostki wewnętrznej

B: Zawór odcinający wysokiego ciśnienia

UWAGA

- Wszystkie połączenia przewodów elektrycznych muszą być wykonywane przez wykwalifikowanych monterów. Okablowanie należy podłączać zgodnie ze schematem połączeń kablowych.
- Przed wykonaniem jakichkolwiek połączeń elektrycznych, należy podłączyć uziemienie.
- Wszystkie źródła zasilania muszą być wyłączone przed rozpoczęciem prac z okablowaniem. Nie włączać zasilania do momentu upewnienia się, że wszystkie przewody zostały bezpiecznie podłączone.
- Należy zainstalować wyłącznik główny oraz wyłącznik automatyczny lub bezpiecznik obsługujący ponad 1,5-krotnie wyższe napięcie od napięcia maksymalnego w obwodzie.
- Dla urządzenia należy zapewnić dostępność indywidualnego obwodu odgałęzionego oraz gniazdka.
- Przekrój przewodu zależy od prądu znamionowego oraz krajowych, stanowych i lokalnych przepisów dotyczących przewodów elektrycznych. Informacje na temat wymagań specjalnych można znaleźć w kodeksie budowlanym i krajowych przepisach dotyczących instalacji elektrycznych.
- Uszkodzony przewód zasilający musi być wymieniony przez producenta, pracownika serwisu producenta lub inne wykwalifikowane osoby, aby uniknąć zagrożeń wynikających z nieprawidłowego podłączenia.
- Jednostkę należy podłączyć do zasilania za pośrednictwem wyłącznika automatycznego lub przełącznika z zachowaniem co najmniej 3 mm odstępów między podłączeniami dla obu biegunów. Zaleca się zastosowanie urządzenia różnicowoprądowego (RCD) o znamionowym roboczym prądzie różnicowym nieprzekraczającym 30 mA.
- To urządzenie zostało wyposażone w uziemienie tylko ze względów funkcyjnych.

Prąd znamionowy dla każdego modelu

Model	Prąd znamionowy (A)	Parametry bezpiecznika (A)	Przewód zasilania (o minimalnym przekroju)	Przewód połączeniowy (o minimalnym przekroju)
38QHP09E8S	10,0	16	3*1,5 mm ²	5*1,5 mm ²
38QHP12E8S	13,0	20	3*1,5 mm ²	5*1,5 mm ²

UWAGA:

- Wszystkie przewody zasilające muszą mieć rozmiar zgodny z krajowymi, stanowymi i lokalnymi przepisami dotyczącymi przewodów elektrycznych. Informacje na temat wymagań specjalnych znaleźć można w kodeksie budowlanym i krajowych przepisach dotyczących instalacji elektrycznych.
- Do zasilania i połączenia jednostki zewnętrznej należy zastosować przewód typu H07RN-F.
- Prąd znamionowy urządzenia podano na tabliczce znamionowej.
- Specyfikacja bezpiecznika urządzenia zewnętrznego: T20A / 250VAC (dotyczy tylko jednostek typu Adpot R32) Uwaga: Bezpiecznik jest wykonany z ceramiki.



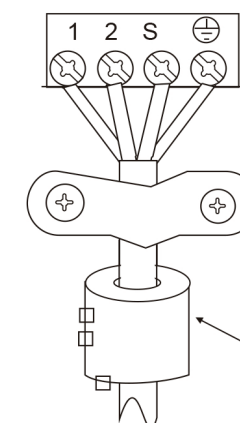
Schemat połączeń

Model	Jednostka wewnętrzna	Jednostka zewnętrzna
QHP09 QHP12		
	Na zewnątrz	Wejście zasilania Do wnętrza

Instalacja pierścienia magnetycznego

Uwaga: Listwa zaciskowa może się różnić w zależności od modelu.

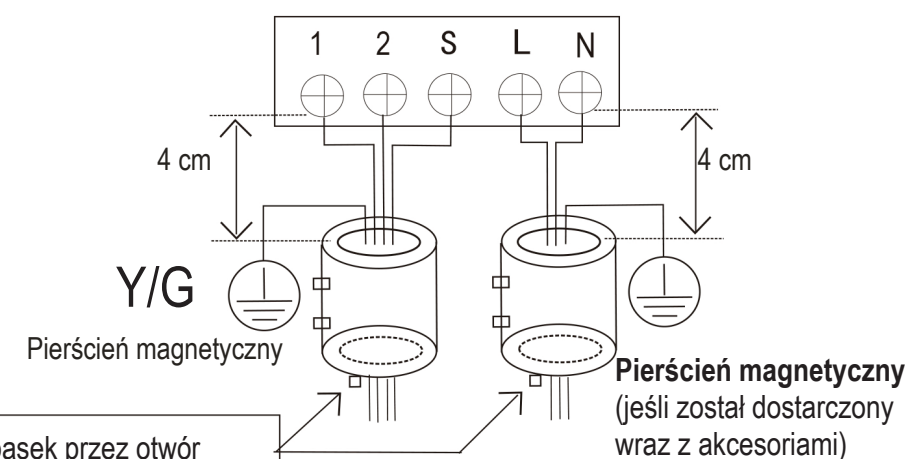
Jednostka wewnętrzna



Pierścień magnetyczny

(jeśli został dostarczony wraz z akcesoriami)
Przełożyć pasek przez otwór pierścienia magnetycznego, aby zamocować go na kablu

Jednostka zewnętrzna



Przełożyć pasek przez otwór pierścienia magnetycznego, aby zamocować go na kablu

6.1 KOŃCOWA LISTA KONTROLNA

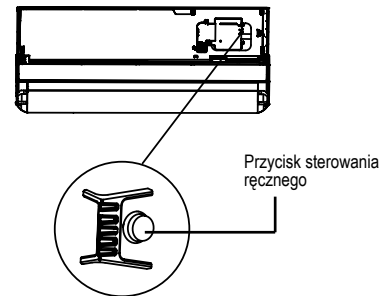
W celu zakończenia montażu należy przeprowadzić następujące kontrole przed próbą eksploatacyjną.

- Wytrzymałość miejsca montażu dla jednostek wewnętrznych i zewnętrznych; potwierdzić brak przeszkód dla wylotu lub powrotu powietrza w jednostce
- Szczelność połączeń rurowych czynnika chłodniczego; potwierdzić brak wycieków
- Prawidłowe podłączenie przewodów elektrycznych; podłączenie uziemienia jednostki
- Sprawdzić łączną długość rur i zarejestrować ilość dodatkowego czynnika chłodniczego
- Zasilanie powinno być zgodne z napięciem znamionowym klimatyzatora
- Izolacja rur
- Odprowadzenie

6.2 OBSŁUGA RĘCZNA

Obsługa ręczna jest możliwa po naciśnięciu przycisku obsługi ręcznej. Kilukrotnie nacisnąć przycisk obsługi ręcznej w celu przełączenia między trybami w następujący sposób:

- Jeden raz = tryb AUTO (ogrzewanie, chłodzenie lub wentylator, 24°C i automatyczna prędkość wentylatora).
- Dwa razy = tryb CHŁODZENIE [przełącza się na tryb AUTO po 30 minutach (używany głównie do próby działania)]
- Trzy razy = WYŁ.



6.3 PRÓBA EKSPLOATACYJNA

Wybrać tryb COOLING za pomocą pilota (lub przycisku obsługi ręcznej) i sprawdzić stan działania jednostki wewnętrznej i zewnętrznej. W przypadku nieprawidłowego działania, rozwiązać problem, odwołując się do rozdziału „Rozwiązywanie problemów” w „Instrukcji obsługi”.

Jednostka wewnętrzna

- Sprawdzić prawidłowe działanie przycisków (np. WŁ./WYŁ., TRYB, TEMPERATURA, PRĘDKOŚĆ WENTYLATORA itp.) na pilocie sterowania.
- Sprawdzić prawidłowe działanie przesłony.
- Sprawdzić, czy temperatura pomieszczenia jest odpowiednio dostosowana.
- Sprawdzić prawidłowe działanie wskaźników na panelu.
- Sprawdzić prawidłowe działanie przycisku obsługi ręcznej.
- Sprawdzić prawidłowe działanie odpływu.
- Sprawdzić, czy podczas działania nie występują wibracje lub nietypowe dźwięki.
- Sprawdzić, czy jednostka wewnętrzna działa prawidłowo w trybie CHŁODZENIE lub OGRZEWANIE.

Jednostka zewnętrzna

- Sprawdzić, czy podczas działania nie występują wibracje lub nietypowe dźwięki.
- Sprawdzić, czy przepływ powietrza, hałas lub kondensat generowane przez klimatyzator nie przeszkadzają w najbliższym otoczeniu.
- Sprawdzić, czy nie występują wycieki czynnika chłodniczego.



UWAGA

- W przypadku restartowania jednostki nastąpi opóźnienie (około 3 minut) przed uruchomieniem sprężarki w celu jej zabezpieczenia.

7.1 KONTROLA OBSZARU

Przed rozpoczęciem prac na systemach zawierających łatwopalne czynniki chłodnicze, należy przeprowadzić kontrole bezpieczeństwa, aby upewnić się, że zminimalizowano ryzyko zapłonu. W przypadku napraw systemów chłodzących, należy zastosować następujące środki ostrożności przed rozpoczęciem wszelkich prac.

7.2 PROCEDURA ROBOCZA

Prace należy prowadzić w ramach kontrolowanej procedury, aby zminimalizować ryzyko narażenia na łatwopalny gaz lub opary w miejscu wykonywania prac.

7.3 OGÓLNY OBSZAR ROBOCZY

Należy poinformować personel konserwacyjny i inne osoby pracujące w danym miejscu o naturze wykonywanej pracy. Należy unikać pracy w ograniczonej przestrzeni. Należy wydzielić obszar wokół miejsca prowadzenia prac. Upewnić się, że warunki w obszarze są bezpieczne, a materiał łatwopalny jest kontrolowany.

7.4 SPRAWDZANIE OBECNOŚCI CZYNNIKA CHŁODNICZEGO

Obszar należy sprawdzić odpowiednim czujnikiem czynnika chłodniczego przed rozpoczęciem prac i w trakcie ich wykonywania, aby upewnić się, że technik ma świadomość potencjalnie łatwopalnej atmosfery. Upewnić się, że używany sprzęt do wykrywania wycieków jest dostosowany do użycia z łatwopalnymi czynnikami chłodniczymi, tj. nie wywołuje iskrzenia, jest odpowiednio uszczelniony lub iskrobezpieczny.

7.5 OBECNOŚĆ GAŚNICZY

W przypadku prowadzenia jakichkolwiek prac gorących na sprzęcie chłodzącym lub powiązanych elementach, należy zapewnić dostęp do odpowiedniego sprzętu gaśniczego. W pobliżu należy zapewnić gaśnicę proszkową lub CO₂.

7.6 BRAK ŹRÓDEŁ ZAPŁONU

Żadna osoba przeprowadzająca prace związane z systemem chłodzącym, które obejmują odkrywanie rur zawierających obecnie (lub wcześniej) łatwopalny czynnik chłodniczy, nie powinna używać źródeł zapłonu w sposób, który może doprowadzić do pożaru lub wybuchu. Wszystkie potencjalne źródła zapłonu, w tym zapalone papierosy, należy trzymać dostatecznie daleko od miejsca montażu, naprawy, zdejmowania i usuwania. Podczas tych prac istnieje możliwość uwolnienia łatwopalnego czynnika chłodniczego do otoczenia. Przed rozpoczęciem pracy należy sprawdzić obszar wokół sprzętu, aby upewnić się, że nie występuje ryzyko zapłonu. Należy użyć znaków „ZAKAZ PALENIA”.

7.7 WENTYLACJA OBSZARU

Upewnić się, że obszar jest otwarty lub odpowiednio wentylowany przed otwarciem systemu i rozpoczęciem wszelkich prac. Wentylacja powinna w pewnym stopniu nadal działać podczas wykonywania prac. Wentylacja powinna bezpiecznie rozpraszać wszelki uwolniony czynnik chłodniczy i najlepiej wyrzucać go zewnątrz do atmosfery.

7.8 KONTROLA SPRZĘTU CHŁODZĄCEGO

W przypadku wymiany komponentów elektrycznych, należy dopasować je do celu i odpowiednich specyfikacji. Zawsze należy przestrzegać wytycznych producenta dotyczących konserwacji i serwisowania. W przypadku wątpliwości należy skontaktować się z działem technicznym producenta. Następujące kontrolne należy zastosować wobec instalacji używających łatwopalnych czynników chłodniczych:

- wielkość ładunku jest zgodna z rozmiarem pomieszczenia, w którym zamontowano części zawierające czynnik chłodniczy;
- sprzęt wentylacyjny i wyloty działają odpowiednio i nie są zasłonięte;
- jeśli stosowany jest pośredni obwód chłodniczy, należy sprawdzić wtórne obwody pod kątem obecności czynnika chłodniczego; oznaczenia sprzętu pozostają widoczne i czytelne;
- należy poprawić oznaczenia i znaki, które są nieczytelne;
- rury lub komponenty z czynnikiem chłodniczym są zamontowane w miejscu, w którym mało prawdopodobne jest narażenie na substancje mogące powodować korozję komponentów zawierających czynnik chłodniczy, chyba że komponenty są wykonane z materiałów odpornych na korozję lub odpowiednio chronione przed skorodowaniem.

7.9 KONTROLA URZĄDZEŃ ELEKTRYCZNYCH

Prace naprawcze i konserwacyjne komponentów elektrycznych powinny obejmować wstępną kontrolę bezpieczeństwa oraz procedury inspekcji komponentów. Wystąpienie usterki może powodować zagrożenie. W takim przypadku nie należy podłączać zasilania elektrycznego do obwodu aż do czasu zakończenia napraw. Jeśli usterki nie można naprawić natychmiast, a dalsza praca urządzenia jest wymagana, należy zastosować odpowiednie rozwiązanie tymczasowe. Należy zgłosić taki przypadek właścicielowi sprzętu, aby obie strony uzyskały odpowiednie informacje.

Podczas wstępnej kontroli bezpieczeństwa należy upewnić się, że:

- kondensatory są rozładowane — kontrolę należy przeprowadzić w bezpieczny sposób, aby uniknąć możliwości powstania iskry;
- nie ma komponentów elektrycznych pod napięciem oraz odkrytego okablowania podczas napełniania, odzyskiwania lub oczyszczania systemu;
- występuje ciągłość uziemienia.

7.10 NAPRAWA USZCZELNIONYCH KOMPONENTÓW

- 10.1 Podczas napraw uszczelnionych komponentów należy odłączyć wszystkie źródła zasilania od sprzętu przed usunięciem jakichkolwiek pokryw uszczelniających itp. Jeśli zasilanie elektryczne sprzętu jest absolutnie konieczne do wykonania prac serwisowych, należy zastosować trwale pracującą formę wykrywania wycieków w najważniejszym punkcie, aby uzyskać ostrzeżenie o potencjalnie niebezpiecznej sytuacji.
- 10.2 Należy zwrócić szczególną uwagę na następujące elementy, aby upewnić się, że praca na komponentach elektrycznych nie powoduje takiego zmodyfikowania obudowy, który obniżyłby poziom zabezpieczeń. Należy wziąć pod uwagę uszkodzenia przewodów, nadmierną liczbę połączeń, złącza niezgodne ze specyfikacjami, uszkodzenia uszczelnień, nieprawidłowe mocowanie dławnic kablowych itp.
- Upewnić się, że sprzęt jest mocowany w bezpieczny sposób.
 - Upewnić się, że uszczelnienia lub materiały uszczelniające nie uległy degradacji w stopniu, który uniemożliwiłby dalsze spełnianie ich przeznaczenia, tj. zapobiegania przenikania atmosfer łatwopalnych. Części zamienne muszą być zgodne ze specyfikacjami producenta.

UWAGA: Użycie uszczelnień z silikonu może obniżyć skuteczność niektórych rodzajów sprzętu do wykrywania wycieków.

Komponenty iskrobezpieczne nie muszą być izolowane przed rozpoczęciem prac.

7.11 NAPRAWA ISKROBEZPIECZNYCH KOMPONENTÓW

Nie stosować trwałych obciążeń indukcyjnych lub pojemnościowych do obwodu bez upewnienia się, że nie spowoduje to wykroczenia poza dopuszczalne napięcie i prąd dla użytkowanego sprzętu. Można wykonywać prace pod napięciem w obecności atmosfery łatwopalnej wyłącznie na komponentach iskrobezpiecznych. Sprzęt testowy powinien mieć odpowiednie parametry. Wymieniać komponenty wyłącznie na części określone przez producenta. Inne części mogą powodować zapłon czynnika chłodniczego w atmosferze po wycieku.

7.12 OKABLOWANIE

Upewnić się, że okablowanie nie podlega zużyciu, korozji, nadmiernemu ciśnieniu, wibracjom, ostrym krawędziom lub innym szkodliwym czynnikom środowiskowym. Inspekcja powinna również brać pod uwagę efekty starzenia się materiału lub ciągłych wibracji powodowanych przez sprężarki lub wentylatory.

7.13 WYKRYWANIE ŁATWOPALNYCH CZYNNIKÓW CHŁODNICZYCH

W żadnych okolicznościach nie wolno stosować potencjalnych źródeł zapłonu podczas poszukiwania lub wykrywania wycieków czynnika chłodniczego. Nie należy stosować palnika halogenowego (lub innych detektorów używających otwartego płomienia).

7.14 METODY WYKRYWANIA WYCIEKÓW

Następujące metody wykrywania wycieków uznaje się za akceptowalne w przypadku systemów zawierających łatwopalne czynniki chłodnicze.

W celu wykrywania łatwopalnych czynnika chłodniczych, należy stosować elektroniczne detektory wycieków. Ich czułość może nie być odpowiednia lub może wymagać ponownej kalibracji. (Sprzęt do wykrywania powinien być skalibrowany w obszarze wolnym od czynników chłodniczych). Upewnić się, że detektor nie jest potencjalnym źródłem zapłonu i jest dostosowany do wykrywania czynnika chłodniczego. Sprzęt do wykrywania wycieków powinien być ustawiony na dolną granicę zapłonu czynnika chłodniczego. Należy skalibrować go pod kątem użytego czynnika chłodniczego oraz odpowiedniej wartości procentowej gazu (maksymalnie 25%). Płyny do wykrywania wycieków są odpowiednim rozwiązaniem w przypadku detekcji większości czynników chłodniczych, ale należy unikać stosowania detergentów zawierających chlor, ponieważ może on wchodzić w reakcję z czynnikiem chłodniczym i korodować miedziane rury. W przypadku podejrzenia wycieku, należy usunąć lub zgasić wszystkie otwarte płomienie. W przypadku wykrycia wycieku wymagającego lutowania, należy usunąć cały czynnik chłodniczy z systemu lub wyizolować go (przy użyciu zaworów odcinających) w części systemu oddalonej od wycieku. System należy oczyścić za pomocą azotu beztlenowego przed lutowaniem i w jego trakcie.

7.15 USUWANIE

W przypadku naruszenia obwodu czynnika chłodniczego należy stosować procedury naprawcze dla innych części i celów. Niemniej ważne jest zastosowanie najlepszych praktyk, ponieważ pod uwagę należy wziąć łatwopalność. Należy przestrzegać następującej procedury:

- usunąć czynnik chłodniczy;
- oczyścić obwód gazem obojętnym;
- usunąć gaz;
- oczyścić ponownie gazem obojętnym;
- otworzyć obwód przy zastosowaniu cięcia lub lutowania.

Ładunek czynnika chłodniczego należy odzyskać do odpowiednich cylindrów do odzyskiwania. System należy płukać azotem beztlenowym, aby zapewnić bezpieczeństwo jednostki. Może być konieczne kilkukrotne powtórzenie tego procesu.

Nie należy używać do tego zadania sprężonego powietrza lub tlenu.

Przepłukanie systemu osiąga się przez złamanie podciśnienia w systemie za pomocą azotu beztlenowego, napełnienie systemu do ciśnienia roboczego, uwolnienie gazu do atmosfery, a następnie ponowne osiągnięcie podciśnienia. Ten proces należy powtarzać do momentu, w którym w systemie nie pozostanie już czynnik chłodniczy.

Gdy zostanie użyty ostatni ładunek azotu beztlenowego, system należy doprowadzić do ciśnienia atmosferycznego, aby umożliwić prowadzenie prac. Ta operacja jest niezbędna, jeśli rury mają być poddawane lutowaniu. Upewnić się, że wylot pompy próżniowej nie znajduje się w pobliżu źródeł zapłonu oraz że zapewniono odpowiednią wentylację.

7.16 PROCEDURY ZWIĄZANE Z NAPEŁNIANIEM

Poza konwencjonalnymi procedurami dotyczącymi napełniania, należy spełnić następujące wymagania:

- Upewnić się, że nie nastąpiło zanieczyszczenie różnych czynników chłodniczych podczas używania sprzętu do napełniania. Węże lub przewody powinny być możliwie krótkie, aby zminimalizować ilość czynnika chłodniczego, który może się w nich znajdować.
- Cylindry należy stawiać pionowo.
- Upewnić się, że system czynnika chłodniczego jest uziemiony przed napełnieniem go czynnikiem chłodniczym.
- Oznaczyć system po zakończeniu napełniania (jeśli jeszcze nie ma etykiety).
- Należy zachować szczególną uwagę, aby nie przepelnić systemu czynnika chłodniczego.
- Przed ponownym napełnieniem systemu, należy sprawdzić go pod ciśnieniem przy użyciu azotu beztlenowego. System należy sprawdzić pod kątem wycieków po zakończeniu napełniania, ale przed oddaniem systemu do użytku. Następny test pod kątem wycieków.

7.17 WYCOFANIE Z EKSPLOATACJI

Przed przeprowadzeniem tej procedury należy upewnić się, że technik jest całkowicie zaznajomiony ze sprzętem i wszystkimi szczegółowymi informacjami. Zalecaną dobrą praktyką jest bezpieczne odzyskiwanie wszystkich czynników chłodniczych. Przed wykonaniem zadania należy pobrać próbkę oleju i czynnika chłodniczego. W niektórych przypadkach przed ponownym użyciem odzyskanego czynnika chłodniczego wymagana jest analiza. Przed rozpoczęciem zadania należy upewnić się, że dostępne jest zasilanie elektryczne.

- a) Zaznajomić się ze sprzętem i jego działaniem.
- b) Wyizolować system pod względem elektrycznym.
- c) Przed rozpoczęciem procedury upewnić się, że:
 - dostępny jest mechaniczny sprzęt do manipulowania, jeśli jest wymagany do obsługi cylindrów z czynnikiem chłodniczym;
 - wszystkie środki ochrony osobistej są dostępne i odpowiednio zastosowane;
 - proces odzyskiwania jest nadzorowany przez cały czas przez kompetentną osobę;
 - sprzęt do odzyskiwania i cylindry spełniają odpowiednie standardy.
- d) Odpompować system z czynnikiem chłodniczym, jeśli jest to możliwe.
- e) Jeśli osiągnięcie podciśnienia jest niemożliwe, zastosować manometr i usunąć czynnik chłodniczy z różnych części systemu.
- f) Upewnić się, że cylinder jest usytuowany zgodnie z oznaczeniami przed rozpoczęciem odzyskiwania.
- g) Uruchomić maszynę do odzyskiwania i działać zgodnie z instrukcjami producenta.
- h) Nie przepelniać cylindrów. (Nie więcej niż 80% objętości płynnego ładunku).
- i) Nie przekraczać maksymalne ciśnienia roboczego cylindra, nawet tymczasowo.
- j) Po prawidłowym napełnieniu cylindrów i zakończeniu procesu należy upewnić się, że cylindry i sprzęt zostaną natychmiast usunięte z zakładu, a wszystkie zawory izolujące sprzęt pozostaną zamknięte.
- k) Nie należy stosować odzyskanego czynnika chłodniczego w innym systemie chłodzącym bez jego uprzedniego oczyszczenia i sprawdzenia.

7.18 OZNACZENIA I ETYKIETY

Sprzęt należy odpowiednio oznaczyć, zawierając informację o jego usunięciu z eksploatacji i opróżnieniu z czynnika chłodniczego. Etykieta powinna być oznaczona datą i podpisana. Upewnić się, że na sprzęcie znajdują się etykiety informujące o tym, że zawiera on łatwopalny czynnik chłodniczy.

7.19 ODZYSKIWANIE

- Podczas usuwania czynnika chłodniczego z systemu w ramach serwisowania lub usuwania z eksploatacji zaleca się bezpieczne usuwanie wszystkich czynników chłodniczych.
- Podczas przenoszenia czynnika chłodniczego do cylindrów należy upewnić się, że stosowane są wyłącznie odpowiednie cylindry do odzyskiwania czynników chłodniczych. Upewnić się, że dostępna jest wystarczająca liczba cylindrów do przechowania łącznego ładunku systemu. Wszystkie używane cylindry muszą być odpowiednie dla odzyskiwanego czynnika chłodniczego oraz oznaczone dla tego czynnika chłodniczego (tj. specjalne cylindry do odzyskiwania czynnika chłodniczego). Cylindry muszą być kompletne i wyposażone w zawór nadmiarowy ciśnienia oraz odpowiednie zawory odcinające w dobrym stanie technicznym.
- Puste cylindry do odzyskiwania są opróżniane i w miarę możliwości schładzane przed rozpoczęciem odzyskiwania.
- Sprzęt do odzyskiwania musi być w dobrym stanie technicznym i musi nadawać się do odzyskiwania łatwopalnych czynników chłodniczych. Należy zapewnić zestaw instrukcji dotyczących dostępnego sprzętu. Ponadto należy zapewnić dostęp do zestawu skalibrowanych wag w dobrej kondycji technicznej.
- Węże muszą być kompletne, wyposażone w szczelne złącza odcinające i w dobrym stanie technicznym. Przed użyciem maszyny do odzyskiwania należy upewnić się, że jest ona w satysfakcjonującym stanie technicznym, była odpowiednio konserwowana oraz że wszystkie powiązane komponenty elektryczne zostały uszczelnione, aby zapobiec zapłonowi w przypadku uwolnienia czynnika chłodniczego. W razie wątpliwości, skonsultować się z producentem.
- Odzyskany czynnik chłodniczy należy zwrócić do dostawcy czynnika chłodniczego w odpowiednim cylindrze do odzyskiwania oraz zgodnie z odpowiednią kartą przekazania odpadów. Nie mieszać czynników chłodniczych w pojemnikach do odzyskiwania, a zwłaszcza w cylindrach.
- Jeśli należy usunąć sprężarki lub oleje ze sprężarek, trzeba upewnić się, że zostały opróżnione do akceptowalnego poziomu. Dzięki temu można mieć pewność, że nie ma łatwopalnego czynnika chłodniczego w środku smarnym. Proces opróżniania należy wykonać przed zwróceniem sprężarki do dostawcy. W celu przyspieszenia procesu do obudowy sprężarki można zastosować wyłącznie ogrzewanie elektryczne. Należy zachować ostrożność w trakcie odprowadzania oleju z systemu.

7.20 TRANSPORT, OZNACZENIA I PRZECHOWYWANIE JEDNOSTEK

1. Transport sprzętu zawierającego łatwopalne czynniki chłodnicze musi być prowadzony zgodnie z przepisami dotyczącymi transportu.
2. Oznaczenia sprzętu przy użyciu znaków i symboli muszą być zgodne z przepisami lokalnymi.
3. Usuwanie sprzętu wykorzystującego łatwopalne czynniki chłodnicze musi być prowadzone zgodnie z przepisami krajowymi.
4. Przechowywanie sprzętu/urządzeń
Sprzęt należy przechowywać zgodnie z instrukcjami producenta.
5. Przechowywanie zapakowanego sprzętu (przed sprzedażą)
Należy zapewnić ochronę przechowywanych paczek w taki sposób, aby mechaniczne uszkodzenia sprzętu wewnątrz opakowań nie spowodowały wycieku ładunku czynnika chłodniczego. Maksymalną liczbę urządzeń przechowywanych w jednym miejscu określają przepisy lokalne.

Det er fastslået, at dette produkt opfylder lavspændingsdirektivet (2014/35/EU) og direktivet om elektromagnetisk kompatibilitet (2014/30/EU).



Korrekt bortskaffelse af produktet (affald af elektrisk og elektronisk udstyr)

(Ved brug af klimaanlæg i EU gælder følgende retningslinjer)

- Dette mærke vises på produktet eller i dets vejledning og angiver, at udtjent elektrisk og elektronisk udstyr (WEEE som i direktiv 2012/19/EU) ikke må blandes med almindeligt husholdningsaffald. Det er forbudt at bortskaffe dette apparat sammen med husholdningsaffaldet. Der er flere muligheder for at bortskaffe det:
 1. Kommunen har genbrugsstationer, hvor elektronisk affald kan bortskaffes gratis for brugeren.
 2. Når du køber et nyt produkt, tager forhandleren gratis det gamle produkt tilbage.
 3. Producenten tager gratis det gamle produkt tilbage til bortskaffelse.
 4. Da gamle produkter indeholder værdifulde komponenter, kan de sælges til skrothandlere. Bortskaffelse af affald i skove og i naturen udgør en risiko for dit helbred, når farlige stoffer trænger ned i grundvandet og kommer ind i fødekæden.

Dette produkt indeholder fluorholdige gasser, der er omfattet af Kyoto-protokollen

Kemisk betegnelse for gassen	R32
Gassens globale opvarmningspotentiale (GWP)	675

⚠ FORSIGTIG

- | | |
|---|---|
| <ol style="list-style-type: none"> 1. Sæt den vedlagte køleetiket fast ved siden af opladnings- og/eller genstartpositionen. 2. Skriv tydeligt den påfyldte mængde kølemiddel på køleetiketten med uudslettelig blæk. 3. Undgå udslip af den fluorholdige gas. Sørg for, at den fluorholdige gas aldrig slipper ud i atmosfæren ved montering, service eller bortskaffelse. Hvis der opstår en lækage af fluorholdig gas, skal lækagen stoppes og reparerer så hurtigt som muligt. | <ol style="list-style-type: none"> 4. Kun faguddannet servicepersonale må få adgang til og vedligeholde dette produkt. 5. Håndtering af den fluorholdige gas i dette produkt, f.eks. ved flytning af produktet eller genopfyldning af gas, skal ske i henhold til forordning (EF) nr. 517/2014 om visse fluorholdige drivhusgasser samt den relevante lokale lovgivning. 6. Hvis systemet har et lækagesporingsystem installeret, skal det kontrolleres for lækager mindst hver 12. måned. 7. Når enheden er kontrolleret for lækager, anbefales korrekt registrering af alle kontroller på det kraftigste. |
|---|---|

Indendørsenhed	Udendørsenhed	Mærkespænding og Hertz
42QHP09E8S*	38QHP09E8S*	220-240V~, 50Hz
42QHP12E8S*	38QHP12E8S*	

Producenten forbeholder sig retten til at ændre enhver produktspecifikation uden varsel.

INDHOLD

1. KLARGØRING TIL MONTERING.....	3
1.1 Sikkerhedsforanstaltninger	3
1.2 Tilbehør	5
1.3 Valg af monteringssted	6
2. MONTERING AF INDENDØRSENHED	7
2.1 Monteringsplade til indendørsenhed	7
2.2 Monteringsproces	8
3. INSTALLATION AF UDENDØRSENHED	9
3.1 Monteringsdimensioner for udendørsenhed	9
3.2 Pladskrav til udendørsenhed	9
3.3 Udendørs ledningstilslutning	10
3.4 Montering af udendørsenheden	10
3.5 Montering af drænrør til udendørsenhed	10
4. KØLEMIDDELRØRFØRING	11
4.1 Kravning	11
4.2 Samling af rør	11
4.3 Kølemiddelrør	12
4.4 Luftudledning	12
4.5 Lækagetest	12
5. LEDNINGSFØRING	13
6. SLUTKONTROL OG PRØVEKØRSEL	14
6.1 Liste til slutkontrol	14
6.2 Manuel drift	14
6.3 Prøvekørsel	14
7. OPLYSNINGER OM SERVICEEFTERSYN	15



Forsigtig: Brandrisiko kun for R32/R290 kølemiddel

1.1 SIKKERHEDSFORANSTALTNINGER

- Montering, opstart og serviceeftersyn af klimaanlæg kan være farligt pga. systemtryk, elektriske komponenter og udstyrets placering (tage, højtliggende bygninger osv.).
- Kun uddannede, kvalificerede installatører og servicemekanikere bør installere, opstarte og betjene dette udstyr.
- Når der arbejdes på udstyret, skal forholdsregler i informationsmateriale og på mærkesedler, mærkater og etiketter, som er fastgjort til udstyret, overholdes.
- Følg alle sikkerhedskrav. Bær sikkerhedsbriller og arbejdshandsker. Sørg for at have en slukningsklud og brandslukker i nærheden, når du lodder. Vær forsigtig, når du håndterer, monterer og installerer tungt udstyr.
- Læs disse instruktioner nøje, og følg alle advarsler, som medfølger i informationsmateriale og er fastgjort til enheden. Konsulter de lokale bygningsreglementer og stærkstrømsreglementet for særlige krav.

⚠ ADVARSEL

Dette symbol angiver mulighed for personskade eller død.

- **Kølemiddelgas er tungere end luft og erstatter ilt. En massiv lækage vil kunne medføre iltreduktion, især i kældre, og der kan opstå risiko for iltmangel, hvilket medfører alvorlig kvæstelse eller død.**
- **Når klimaanlægget er monteret i et lille rum, skal du sørge for, at de korrekte foranstaltninger er til stede for at sikre, at koncentrationen af en kølemiddellækage i rummet ikke overstiger det kritiske niveau.**
- **Hvis kølemiddelgassen lækker under monteringen, skal du straks ventilere området.**
Kølemiddelgassen kan producere en giftig gas, hvis den kommer i kontakt med ild, såsom fra en varmeblæser, ovn eller komfur. Udsættelse for denne gas kan forårsage alvorlig kvæstelse eller død.
- **Afbryd strømkilden, inden du udfører elektrisk arbejde. Tilslut tilslutningskablet korrekt.**
Forkert tilslutning kan medføre, at de elektriske dele beskadiges.
- **Brug de specificerede kabler til elektriske tilslutninger, og fastgør ledningerne til kontaktsektionerne i terminalblokken, så den eksterne kraft ikke bruges til terminalen.**
- **Sørg for, at der er jordforbindelse.**
Jordforbind ikke enheder til gasrør, vandrør, lynafledere eller telefonkabler. Forkert jordforbindelse kan medføre alvorlig risiko for elektrisk stød, hvilket kan medføre kvæstelse eller død.
- **Sørg for sikker bortskaffelse af emballage.**
Emballage, såsom søm og andre metal- eller trædele, kan forårsage stiksår eller andre personskader. Riv plastikposer i stykker, og smid dem væk, så børn ikke leger med dem. Der er risiko for kvælning, hvis børn leger med plastikposerne.
- **Monter ikke enheden i nærheden af koncentrationer af brændbar gas eller gasdampe.**
- **Sørg for at bruge de medfølgende eller nøjagtigt angivne monteringsdele.**
Brug af andre dele kan medføre, at enheden løsner sig, vandlækage, elektrisk stød, brand eller skade på udstyret.
- **Lad ikke luft eller andre stoffer end det angivne kølemiddel (R410A) trænge ind i kølecyklussen, når systemet monteres eller flyttes.**
- **Ændr ikke denne enhed ved at fjerne nogen af sikkerhedsafskærmningerne eller ved at forbigå nogen af sikkerhedsafbryderne.**
- **Elektrisk arbejde skal udføres i overensstemmelse med installationsvejledningen samt nationale, statslige og lokale regler for elektrisk ledningsføring.**

⚠ ADVARSEL

- **Brug en dedikeret strømkreds. Brug aldrig den samme stikkontakt til andre apparater.**
- **For at undgå fare pga. utilsigtet nulstilling af den termiske udkoblingsenhed må dette apparat ikke forsynes via en ekstern afbryderenhed, såsom en timer, eller kobles til en strømkreds, som regelmæssigt bliver slået til og fra af forsyningsværket.**
- **Brug de foreskrevne kabler til elektrisk tilslutning med isolering, der er beskyttet af en isoleringsmuffe, som har en passende temperaturkapacitet.**
Ikke-overensstemmende kabler kan forårsage elektrisk lækage, unormal varmeproduktion eller brand.
- **Brug ikke andre midler til at accelerere afrimningsprocessen eller til at rengøre end dem, der anbefales af producenten.**
- **Apparatet skal opbevares i et rum uden konstant anvendte antændelseskilder (f.eks. åben ild og brug af gasapparater eller et elektrisk varmeapparat).**
- **Må ikke punkteres eller brændes.**
- **Vær opmærksom på, at kølemidler muligvis ikke lugter.**
- **Apparatet skal opbevares i et godt ventileret område, hvor rummets størrelse svarer til det lokale område, der er specificeret til drift.**
- **For R32-kølemiddelmodeller:**
Apparatet skal monteres, bruges og opbevares i et rum med et gulvareal, der er større end 4 m². Apparatet må ikke monteres på et område uden ventilation, hvis pladsen er mindre end 4 m².
- **For R290-kølemiddelmodeller skal minimumsstørrelsen på rummet være:**
Enheder på ≤9000 Btu/t: 13 m²
Enheder på >9000 Btu/t og ≤12000 Btu/t: 17 m²
Enheder på >12000 Btu/t og ≤18000 Btu/t: 26 m²
Enheder på >18000 Btu/t og ≤24000 Btu/t: 35 m²

⚠ FORSIGTIG

Dette symbol angiver mulighed for tingskade eller alvorlige konsekvenser.

- **Vær forsigtig, når du håndterer dele med skarpe kanter, så du undgår personskade.**
- **Installer ikke indendørs- og udendørsenhederne et sted med særlige miljøforhold.**
- **Installer dem ikke et sted, der kan forstærke enhedens støjniveau, eller hvor støj og luftstrøm kan forstyrre naboer.**
- **Udfør dræn-/rørføringsarbejde på en sikker måde i henhold til installationsvejledningen.**
Forkert drænrørføring kan resultere i vandlækage og skade på bygningen.
- **Monter ikke klimaanlægget på følgende steder:**
 - Et sted, hvor der er mineralolie eller arsensyre.
 - Et sted, hvor ætsende gasser (såsom svovlsyregas) eller brændbar gas (såsom fortynder) kan ophobe sig eller samles, eller hvor flygtige brændbare stoffer håndteres.
 - Et sted, hvor der er udstyr, som genererer elektromagnetiske felter eller højfrekvente overtoner.
- **Apparatet skal opbevares på en sådan måde, at mekaniske skader forhindres.**
- **Enhver person, der er involveret i arbejdet med eller åbning af et kølemiddelkredsløb, skal have et aktuelt gyldigt certifikat fra en akkrediteret branchevurderingsmyndighed, der godkender vedkommendes kompetence til at håndtere kølemidler sikkert i overensstemmelse med en brancherens vurderingsspecifikation.**

1.2 TILBEHØR

Følgende tilbehør leveres med enheden. Typen og antallet kan variere afhængigt af specifikationerne.

Navn på tilbehør	Antal (stk.)	Udformning	Navn på tilbehør	Antal (stk.)	Udformning
Vejledning	3		Fjernbetjening	1	
Drænudgang	1		Batteri	2	
Pakning	1		Holder til fjernbetjening	1	
Monteringsplade	1		Skrue B	2	
Rawplug	5		Lille filter	1	
Skrue A	5		Magnetisk ring (Visse enheder)	N*	

*betyder i henhold til det faktiske antal

1.3 VALG AF MONTERINGSSTED

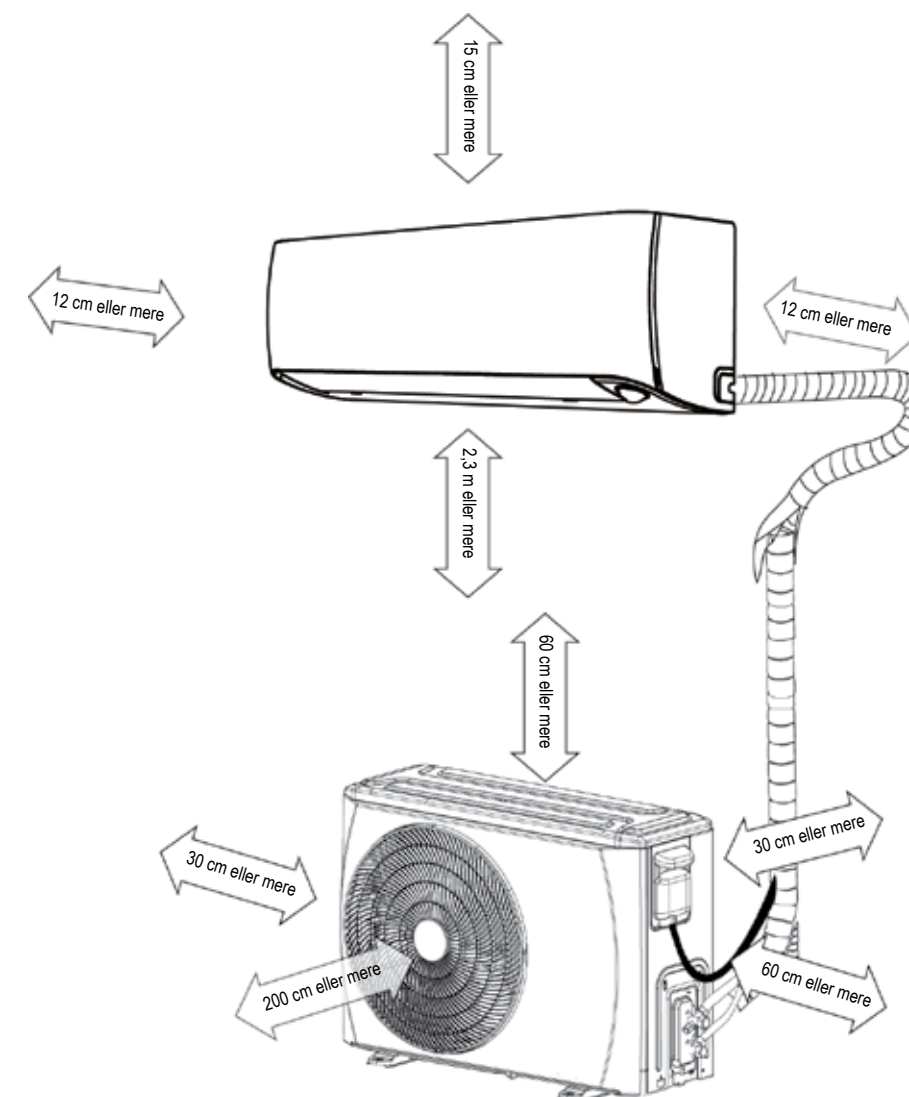
Indendørsenhed

- Et sted, der kan bære vægten af indendørsenheden.
- Monter ikke indendørsenheder i nærheden af direkte varmekilder som direkte sollys eller en opvarmningsanordning.
- Et sted, der giver passende spillerum, som vist i nedenstående figur.
- Apparatets bevægelige dele må ikke monteres/placeres under 2,3 m over gulvet.

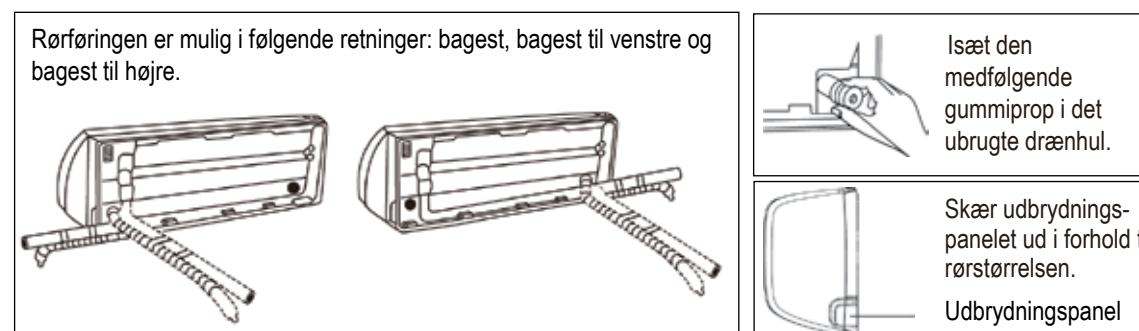
Udendørsenhed

- Et sted, som giver nem montering og ikke udsættes for stærk vind. Hvis enheden er udsat for kraftig vind, anbefales det, at der anvendes en vindafskærmning.
- Et sted, der kan bære vægten af udendørsenheden, og hvor udendørsenheden kan monteres i vandret position.
- Et sted, der giver passende spillerum, som vist i nedenstående figur.

Installer ikke indendørs- og udendørsenhederne et sted med særlige miljøforhold. Kontrollér, at der er tilstrækkeligt med plads til installation og vedligeholdelse.



Bemærk: Sørg for, at de afstande, der er angivet af pilene fra væggen, loftet, hegn eller andre forhindringer, overholdes.

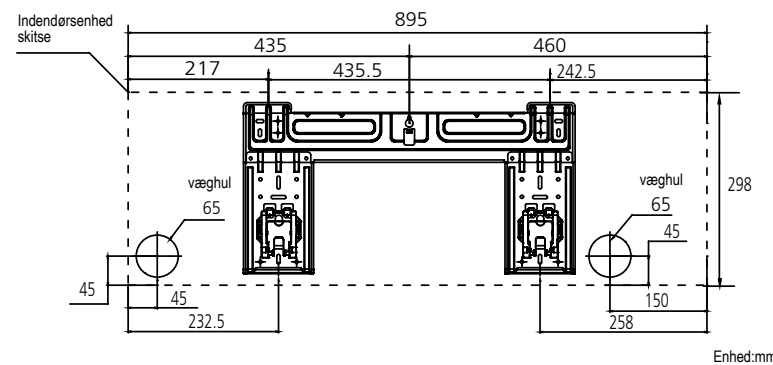


Rørføringen er mulig i følgende retninger: bagest, bagest til venstre og bagest til højre.

Isæt den medfølgende gummiprop i det ubrugte drænhul.

Skær udbrydningspanelet ud i forhold til rørstørrelsen.
Udbrydningspanel

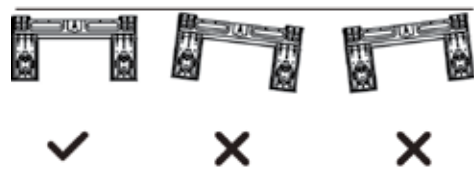
2.1 MONTERINGSPLADE TIL INDENDØRSENHED



Bemærk: Når forbindelsesrøret til gassiden er Ø16 mm (5/8") eller derover, skal rørhullet være 90 mm (3,54").

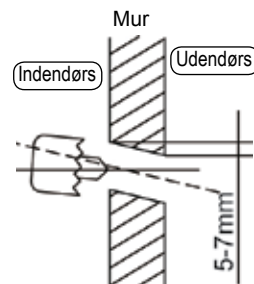
■ Montering af monteringspladen

Fastgør monteringspladen i horisontal stilling og i vater på muren med fem eller flere skrue af A-typen.



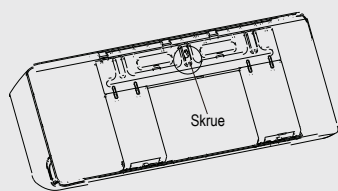
■ Boring af hul i væggen

Bor et 65 mm eller 90 mm (afhængigt af modellen) stort hul i væggen, der er vipet lidt ned mod ydersiden.



Bemærk:

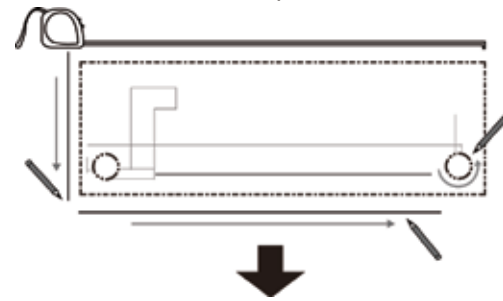
■ Monteringspladen er sat fast med en skrue af hensyn til forsendelsen, og du skal fjerne skruen inden montering. (se figur)



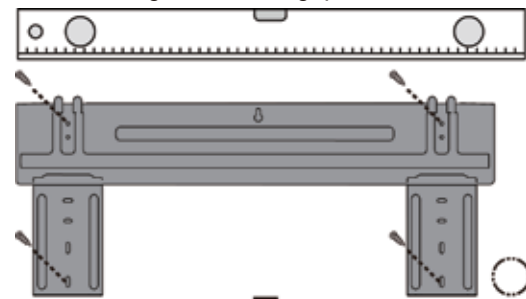
■ Monteringspladen vil se ud som en af figurene afhængig af apparatets størrelse. Hullerne til fastgørelse af rawplugs bør være 5 mm.

2.2 MONTERINGSPROCES

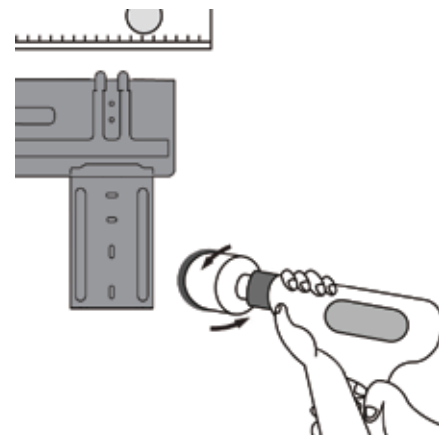
Trin 1: Bestem hullets position i muren



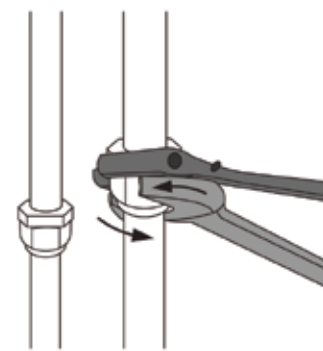
Trin 2: Fastgør monteringspladen



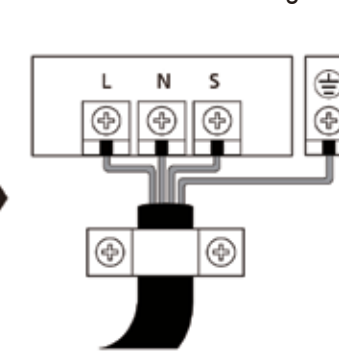
Trin 3: Bor hul i muren



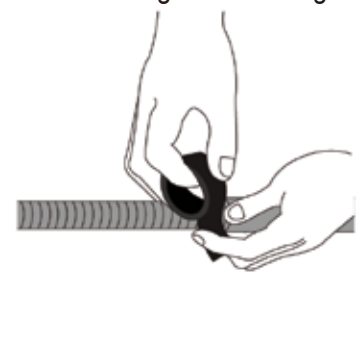
Trin 4: Saml røret



Trin 5: Tilslut ledningerne



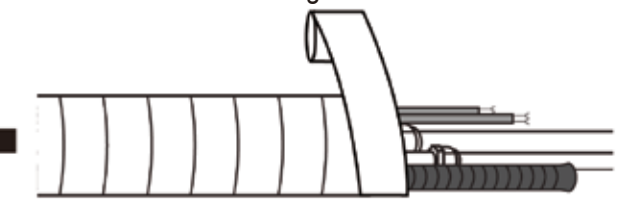
Trin 6: Klargør drænslangen



Trin 8: Hæng indendørsenheden op

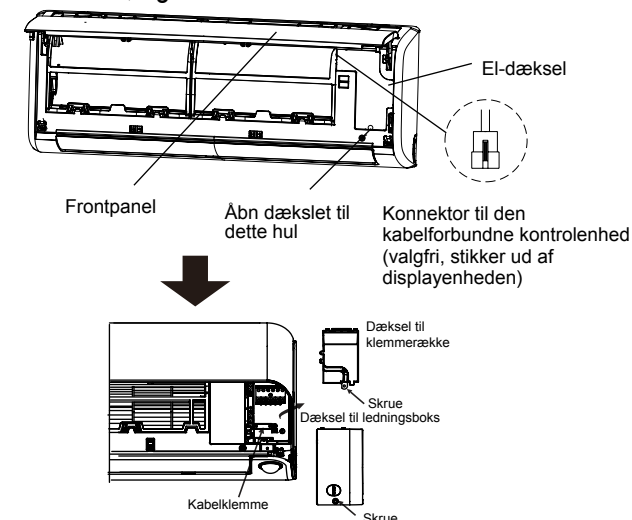


Trin 7: Pak røret og kablet ind



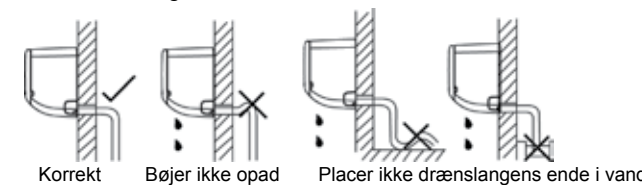
■ Indendørs ledningstilslutning

1. Løft indendørsenhedens frontpanel.
2. Åbn indendørsenhedens elektriske dele med en skruetrækker via hullet, fjern dækslet til klemmerækken med hånden, og fjern kabelklemmen ved at løsne skrue.
3. Før tilslutningsledningerne fra bagsiden af indendørsenheden, og tilslut dem til klemmerækken indenfor.



■ Dræning

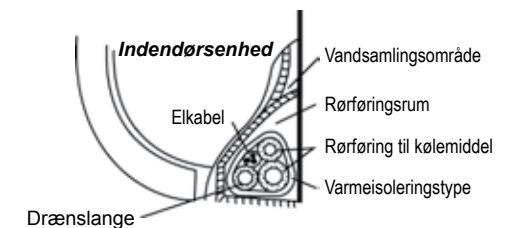
Drænslangen må ikke være bøjet eller bukket, den skal hælde nedad, og den skal være isoleret op til den udvendige mur.



■ Indvikling af røret

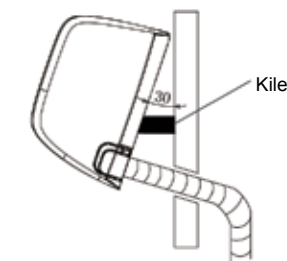
For korrekt placering af rørføringen til kølemiddel, elkabel og drænslangen henvises der til figuren herunder:

- Anbring drænslangen under kølemiddelrørene.
- Sørg for, at drænslangen ikke bøjer opad eller er snoet.



■ Ophængning af indendørsenheden

1. Før rørene til kølemidlet gennem hullet i muren.
2. Hæng indendørsenheden på den øverste krog på monteringspladen, og skub derefter den nederste del af indendørsenheden op på muren på den nederste krog.
3. Flyt indendørsenheden fra side til side og op og ned for at kontrollere, om den sidder sikkert fast på krogen.



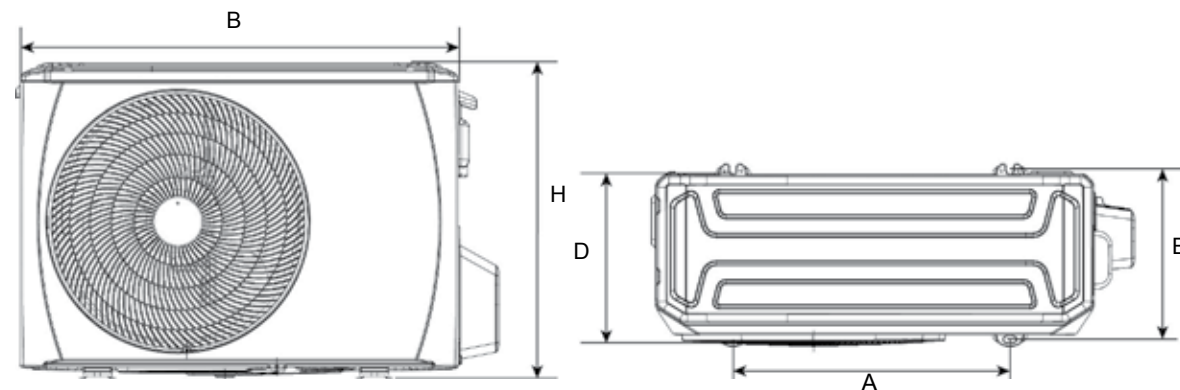
⚠ FORSIGTIG

■ Rørsamlings tilslutningsdele skal placeres den for rummet.

3. INSTALLATION AF UDENDØRSENHEDEN

3.1 MONTERINGSDIMENSIONER FOR UDENDØRSENHED

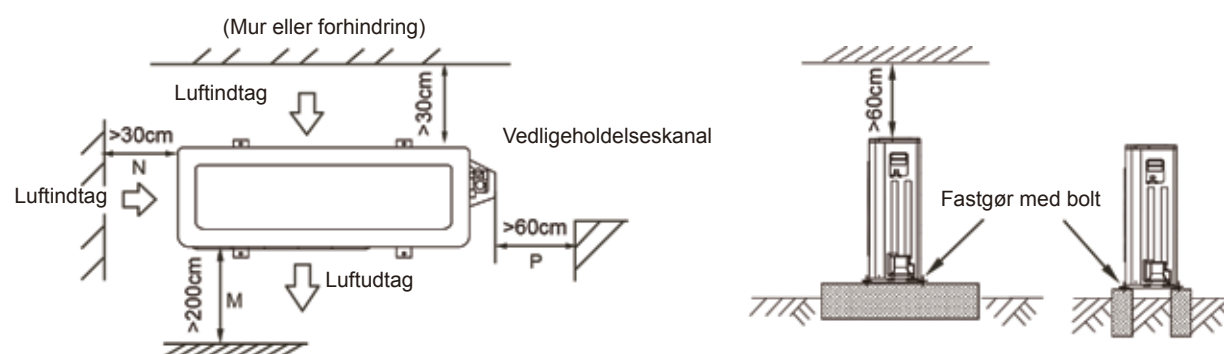
Monteringsdimensionerne varierer i forhold til de forskellige udendørsenheder.
Fastgørelsesbolthovedets diameter skal være større end 12 mm.



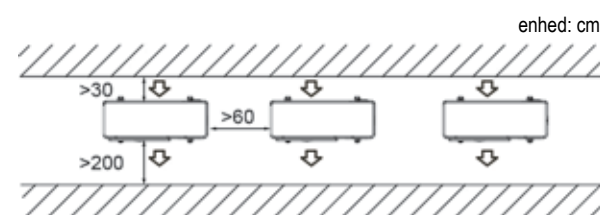
Dimension på udendørsenhed (mm)			Monteringsdimension (mm)		
Udendørsenhed	B	H	D	A	B
38QHP09E8S 38QHP12E8S	800	554	333	515	340

3.2 PLADSKRAV TIL UDENDØRSENHEDEN

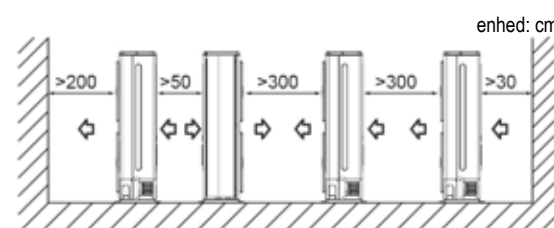
Installation af en enkelt enhed



Parallelforbindelse af to eller flere enheder



Parallelforbind fronten med bagsiderne



⚠ FORSIGTIG

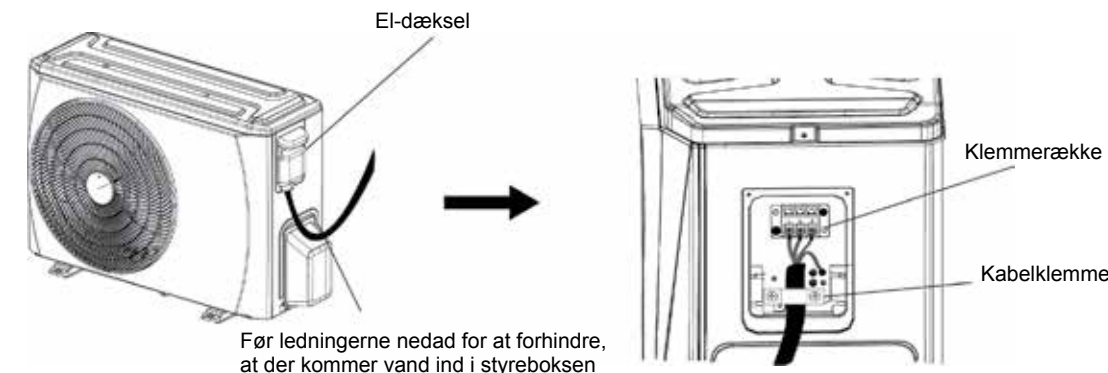
- I regioner med sne og lave temperaturer skal du undgå at montere udendørsenheden på områder, hvor den kan dækkes af sne. Hvis der forventes kraftigt snefald, skal en installatørløst leveret is- eller snestand og/eller installatørløst leveret vindskærm installeres for at beskytte enheden imod ophobning af sne og/eller blokerede luftindtag.

3. INSTALLATION AF UDENDØRSENHEDEN



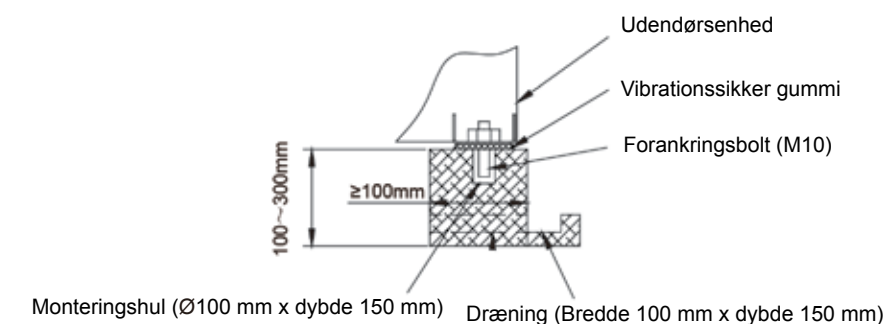
3.3 UDENDØRS LEDNINGSTILSLUTNING

- Fjern el-dækslet og kabelklemmen ved at løsne skrueerne.
- Slut ledningerne til udendørsenhedens klemmerække i samme rækkefølge som på indendørsenheden.



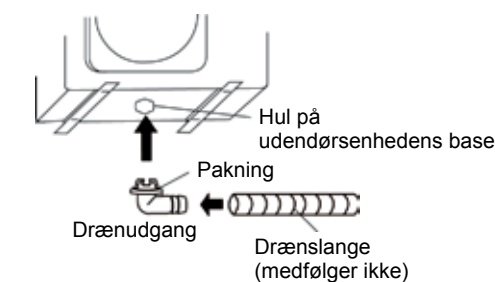
3.4 INSTALLER UDENDØRSENHEDEN

- Før montering skal du kontrollere basens styrke og horisontallinje, så der ikke frembringes unormale lyde.
- Fastgør basen sikkert med forankringsbolte (M10) for at forhindre, at den falder ned.
- Monter fundamentet og de vibrationsfri gummipuder til direkte understøttelse af monteringsbenets bundflade, der er i kontakt med bundpladen på udendørsenheden.



3.5 MONTERING AF DRÆNRØRET TIL UDENDØRSENHEDEN

- Tilslut en drænslange til drænudgangen.
- Monter pakningen på drænudgangen.
- Indsæt drænudgangen i hullet på udendørsenhedens base, og drej den 90 grader for at samle dem fuldstændigt.



⚠ FORSIGTIG

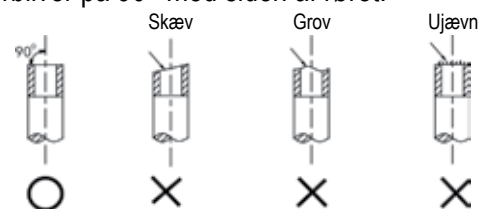
- Kontrollér, at højdeforskellen mellem indendørsenheden og udendørsenheden samt den samlede længde på kølemiddelrøret overholder systemkravene.
- Kølemiddelrørføring udføres efter montering af indendørsenheden og udendørsenheden. Tilslut røret på indendørssiden først, derefter på udendørssiden.
- Hold altid rørenderne forseglet med et låg, eller dæk dem med tape, under montering, og fjern IKKE forseglingen, før du er klar til at tilslutte rørføringen.
- Sørg altid for at isolere alle rør hele vejen til rørforbindelsen inden i enheden. Eksponerede rør kan medføre kondens eller forbrændinger, hvis de røres.
- Når udendørsenheden er i den øverste position, og forskellen mellem niveauerne er over 10 m, anbefales det at indstille en oliereturbøjning for hver 5-8 m i gasslangen. Radiusen på oliereturbøjningen skal være over 10 cm.

4.1 KRAVNING

BEMÆRK

- Nødvendigt værktøj til kravning er rørskeer, fræser, kravningsværktøj og rørholder.
- For modeller med R32-kølemiddel, skal rørsamlingspunkter placeres uden for lokalet.

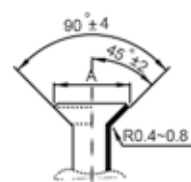
4.1.1 Brug en rørskeer til at skære røret til i den ønskede længde. Sørg for, at den afskårne kant forbliver på 90° med siden af røret.



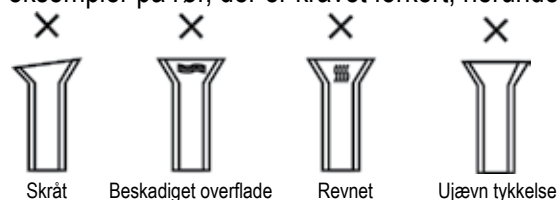
4.1.2 Brug en fræser til at fjerne grater med den skårne flade nedad, så der ikke kommer noget ind i røret.

4.1.3 Udfør kravningsarbejdet med brug af kravningsværktøjer som beskrevet nedenfor.

Udvendig diameter	A(mm)	
	Maks.	Min.
Ø6,35 mm	8,7	8,3
Ø9,52 mm	12,4	12,0
Ø12,7 mm	15,8	15,4
Ø15,88 mm	19,0	18,6
Ø19,05 mm	23,3	22,9



4.1.4 Kontrollér, at kravningen er korrekt lavet. Se eksempler på rør, der er kravet forkert, herunder.

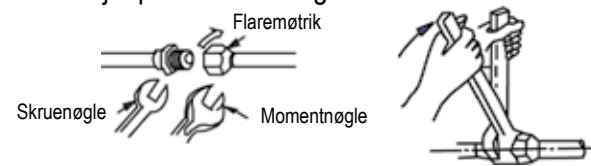


⚠ FORSIGTIG

- Hvis der er behov for lodning, skal du bruge en nitrogengasblæser.
- Et forkert moment vil skabe kravningsskader eller gaslækager.

4.2 RØRARBEJDE

4.2.1 Sørg for, at midten af de to rør flugter, så kravemøtrikken kan strammes, og forbind ved hjælp af to skruenøgler.



Rørstørrelse	Drejningsmoment
Ø6,35 mm	18-20 Nm
Ø9,52 mm	25-26 Nm
Ø12,7 mm	35-36 Nm
Ø15,88 mm	45-47 Nm
Ø19,05 mm	65-67 Nm

4.2.2 Vælg et passende isoleringsmateriale til kølemiddelrøret (min. 10 mm, termisk isoleringsskum C).

- Brug separate termiske isoleringsrør til gas- og væskerør.
- Ovennævnte tykkelse er standard ved indendørstemperaturer på 27 °C og en luftfugtighed på 80 %. Hvis enheden installeres under ugunstige vilkår, såsom i nærheden af badeværelser, køkkener og andre lignende steder, skal isoleringen forstærkes.
- Isoleringens varmebestandighedstemperatur skal være på mindst 120 °C.
- Brug klæbemassen på isoleringens tilslutningsdel for at forhindre, at der trænger fugt ind.
- Reparér og dæk eventuelle revner i isoleringen. Kontrollér især den bøjede del eller rørets bøjle.

4.3 KØLEMIDDELRØR

Bemærk: Kølemidlet skal påfyldes fra serviceporten på lavtryksventilen på udendørsenheden.

	Minimumslængde for at reducere kraftig vibration og støj	Længde uden påfyldning	Yderligere påfyldning pr. meter	
			Væskeside: Ø6,35 mm	Væskeside: Ø9,52 mm
R32*	3 m	5 m	12 g	24 g

* Brug værktøj til R32-systemet.

BEMÆRK

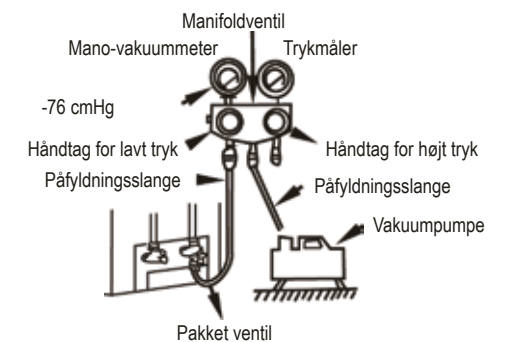
- Udvidet rørlængde påvirker enhedens kapacitet og energieffektivitet.
- Den nominelle effekt er testet baseret på en rørlængde på 5 meter.
- Når rørlængden overstiger 5 m, skal der tilføres yderligere kølemiddel i henhold til rørlængden.
- Maks. rørlængde anbefales som beskrevet nedenfor.

Modeller	R32-inverter	
	Maks. rørlængde (m)	Maks. højdeforskel (m)
9K/12K	25	10

* Brug værktøj til R32-systemet.

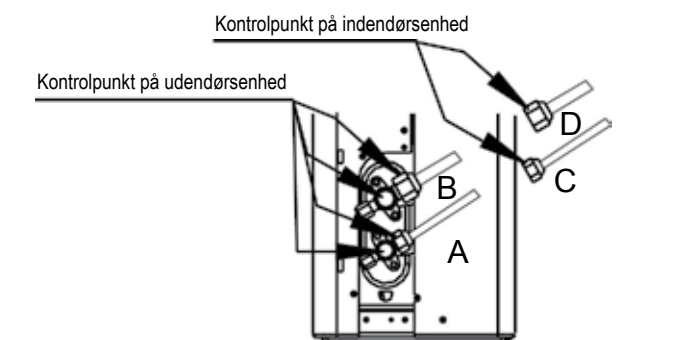
4.4 LUFTUDLEDNING

- Slut påfyldningsslangen fra manifoldmåleren til serviceporten på den pakkede ventil på gassiden.
- Slut påfyldningsslangen til vakuumpumpens port.
- Åbn håndtaget til lavt tryk på manifoldmåleren helt.
- Start vakuumpumpen for at fjerne luft fra systemet indtil -76 cm Hg.
- Luk håndtaget til lavt tryk på manifoldmåleren.
- Åbn ventilstammen på de pakkede ventiler helt.
- Fjern påfyldningsslangen fra serviceporten.
- Stram den pakkede ventils hætter helt.



4.5 LÆKAGETEST

Når rørføringsarbejdet er afsluttet, skal du kontrollere tilslutningsdelen på hvert kølemiddelrør og bekræfte, at der ingen gaslækage er ved at påføre sæbevand på dem eller ved at bruge en lækagedetektor, der er specifik for HFC-kølemidler. Se billedet nedenfor for eksempel.



A: Lavtryksstopventil

B: Højtryksstopventil

C og D: Flaremøtrikker på indendørsenhed

⚠ FORSIGTIG

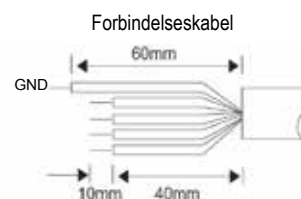
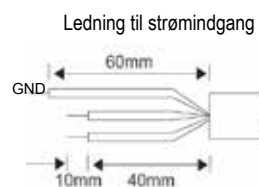
- Alle elektriske forbindelser skal udføres af kvalificerede installatører, og alle ledninger skal tilsluttes iht. ledningsdiagrammet.
- Foretag jordforbindelse før alle andre elektriske forbindelser.
- Alle strømkilder skal afbrydes, inden ledningsføeringsarbejdet udføres, og de må ikke tændes, før du har sikret, at alle ledninger er blevet sikkerhedskontrolleret.
- En hovedafbryder og et relæ eller en sikring skal være installeret. Kapaciteten skal være over 1,5 gange den maksimale strøm i kredsløbet.
- Der skal være en individuel grenledning og enkelt stikkontakt, som kun bruges til dette apparat, til rådighed.
- Et ledningstværsnit afhænger af den nominelle strøm og af nationale, føderale og lokale stærkstrømsreglementer. Konsulter de lokale bygningsreglementer og stærkstrømsreglementet for særlige krav.
- Hvis strømforsyningskablet er beskadiget, skal det udskiftes af producenten, dennes installatør eller en tilsvarende uddannet person for at undgå fare.
- Enheden skal tilsluttes hovedstrømforsyningen via et relæ eller en kontakt med en kontaktadskillelse på mindst 3 mm på alle poler. Det tilrådes at installere en fejlstrømsafbryder (HFI-relæ) med en nominel restarbejdsstrøm, der ikke overstiger 30 mA.
- Dette apparat indeholder en jordforbindelse udelukkende til funktionelle formål.

■ Nominel strøm for hver model

Model	Nominel strøm (A)	Sikringsstørrelse (A)	Strømforsyningskabel (med min. tværsnit)	Tilslutningskabel (med min. tværsnit)
38QHP09E8S	10,0	16	3*1,5 mm ²	5*1,5 mm ²
38QHP12E8S	13,0	20	3*1,5 mm ²	5*1,5 mm ²

BEMÆRK:

1. Alle strømledninger skal dimensioneres i overensstemmelse med nationale, føderale og lokale stærkstrømsreglementer. Konsulter de lokale bygningsreglementer og stærkstrømsreglementet for særlige krav.
2. Det udendørs strømforsyningskabel og mellemkablet skal være af typen H07RN-F.
3. Den nominelle strømstyrke for apparatet er angivet på mærkepladen.
4. Specifikationen for udendørsenhedens sikring er T20A/250VAC (gælder kun for adpot R32-kæle middel)
Bemærk: Sikringen er lavet af keramik.



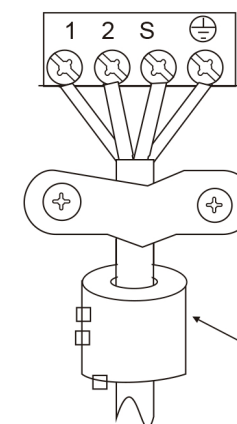
■ Tilslutningsdiagram

Model	Indendørsenhed	Udendørsenhed
QHP09 QHP12		
	Til udendørs	Strømindgang Til indendørs

■ Montering af magnetisk ring

Bemærk! Klemmerækken kan variere i henhold til modellerne.

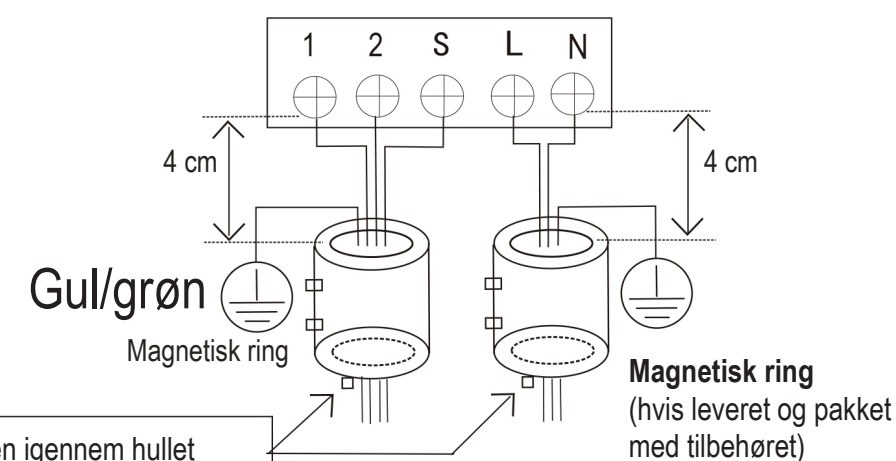
Indendørsenhed



Magnetisk ring

(hvis leveret og pakket med tilbehøret)
Før remmen igennem hullet på den magnetiske ring for at sætte den fast på kablet

Udendørsenhed



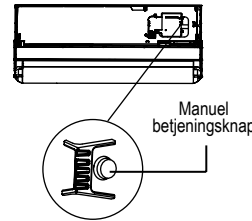
Før remmen igennem hullet på den magnetiske ring for at sætte den fast på kablet

6. SLUTKONTROL OG PRØVEKØRSEL

6.1 LISTE TIL SLUTKONTROL

For at afslutte installationen skal følgende kontroller udføres inden prøve kørslen.

- Monteringsstedets styrke både på indendørs- og udendørs siden. Bekræft, at der ikke er noget, som spærrer for enhedens luftudtag eller returluft.
- Tilspænding af kølemiddelrørforbindelsen, og bekræft, at der ikke er nogen lækage
- Elektrisk tilslutning af ledninger er korrekt udført, og enheden er blevet tilsluttet jordforbindelse
- Kontrollér den samlede længde af rørene, og registrer mængden af yderligere påfyldt kølemiddel
- Strømforsyningen skal være i overensstemmelse med klimaanlæggets nominelle spænding
- Isolering af røret
- Dræning



6.2 MANUEL DRIFT

Du får adgang til manuel drift ved at trykke på knappen Manual

Tryk på knappen Manual gentagne gange for at skifte tilstande som følger:

- En gang = AUTO-tilstand [opvarmning, afkøling eller ventilator, 24 °C og automatisk ventilatorhastighed.]
- To gange = COOLING-tilstand [skifter til AUTO-tilstand efter 30 minutter (hovedsageligt beregnet til prøve kørsel)]
- Tre gange = FRA

6.3 PRØVEKØRSEL

Indstil klimaanlægget til tilstanden COOLING med fjernbetjeningen (eller knappen Manual), og kontrollér statussen på både indendørsenheden og udendørsenheden. I tilfælde af funktionsfejl løses den i overensstemmelse med kapitlet "Fejlfinding" i "Servicemanualen".

Indendørsenhed

- Om knapperne (ON/OFF, MODE, TEMPERATURE, FAN SPEED osv.) på fjernbetjeningen fungerer.
- Om jalousispjældet bevæger sig normalt.
- Om rumtemperaturen er justeret korrekt.
- Om indikatoren lyser normalt på displayet.
- Om Manual-knappen fungerer.
- Om dræning er normal.
- Om der er vibrationer eller unormal støj under drift.
- Om indendørsenheden fungerer i COOLING- eller HEATING-tilstand.

Udendørsenhed

- Om der er vibrationer eller unormal støj under drift.
- Om den luftstrøm, støj eller det kondensvand, der genereres af klimaanlægget, forstyrrer dine naboer.
- Om der er nogen kølemiddellækage.

⚠ FORSIGTIG

- Når enheden genstartes, er der af sikkerhedsmæssige hensyn ca. tre minutters forsinkelse, før kompressoren begynder at køre.

7. OPLYSNINGER OM SERVICEEFTERSYN



7.1 KONTROL AF OMRÅDET

Før du begynder at arbejde på systemer, der indeholder brændbare kølemidler, skal du udføre nødvendige sikkerhedskontroller for at sikre, at risikoen for antændelse minimeres. Følgende forholdsregler skal overholdes, før der udføres arbejde på systemet i forbindelse med reparation af systemet.

7.2 ARBEJDSPROCEDURE

Arbejdet skal foretages på en kontrolleret måde, så risikoen for, at brandfarlige gasser eller dampe, der dannes, minimeres, mens arbejdet udføres.

7.3 GENERELT ARBEJDSOMRÅDE

Alt vedligeholdelsespersonale og andre, der arbejder i lokalområdet, skal være instrueret i arbejdet, som udføres. Arbejde på begrænset plads skal undgås. Området omkring arbejdspladsen skal være afspærret. Sørg for, at områdets forhold er gjort sikre ved at fjerne brændbare materialer.

7.4 KONTROL AF TILSTEDEVÆRELSE AF KØLEMIDDEL

Området skal kontrolleres med en passende kølemiddeldetektor før og under arbejdet for at sikre, at teknikeren er bekendt med potentielt brændbare atmosfærer. Sørg for, at det anvendte lækagesporingsudstyr er egnet til brug med brændbare kølemidler, dvs. ingen gnister, ordentligt forseglet eller egensikkert.

7.5 TILSTEDEVÆRELSE AF ILDSLUKKER

Der skal være passende brandslukningsudstyr tilgængeligt, hvis der foretages varmt arbejde på køleudstyret eller nogen dele dertil. Opbevar en tørpulverslukker eller CO₂-ildslukker ved siden af påfyldningsområdet.

7.6 INGEN ANTÆNDELSESKILDER

Ingen, der arbejder på et køleanlæg, som involverer blottægning af rør, der indeholder eller har indeholdt brændbart kølemiddel, må bruge nogen antændelseskilder på en sådan måde, at det kan give risiko for brand eller eksplosion. Alle potentielle antændelseskilder, herunder cigaretrykning, skal holdes tilstrækkeligt langt væk fra stedet for montering, reparation, afmontering og bortskaffelse, hvor brændbart kølemiddel muligvis kan blive frigivet til omgivelserne. Før arbejdet udføres, skal området omkring udstyret kontrolleres for at sikre, at der ikke er brændbare farer eller antændelsesrisici. Der skal være sat "RYGNING FORBUDT"-skilte op.

7.7 VENTILERET OMRÅDE

Sørg for, at området er i fri luft, eller at det er tilstrækkeligt ventileret, inden systemet åbnes, eller der udføres varmt arbejde. Der skal fortsat være en grad af ventilation i perioden efter, at arbejdet er udført. Ventilationen skal på sikker vis sprede eventuelt frigivet kølemiddel og helst drive det ud i atmosfæren.

7.8 KONTROL AF KØLEUDSTYRET

Hvis de elektriske komponenter ændres, skal de være egnet til formålet og af den rette type. Producentens vedligeholdelses- og servicerefningslinjer skal altid overholdes. I tvivlstilfælde konsulteres producentens tekniske afdeling for at få hjælp. Følgende kontroller udføres på monteringer med brændbare kølemidler:

- påfyldningsmængden er i overensstemmelse med rummets størrelse, hvori de dele, der indeholder kølemiddel, er monteret.
- ventilationsmaskiner og -udgange fungerer korrekt og ikke er tilstoppet.
- hvis der bruges et indirekte kølekredsløb, skal de sekundære kredsløb kontrolleres for kølemiddel. Udstyrets mærkning er fortsat synlig og læsbar.
- mærkning og tegn, der er ulæselige, skal rettes.
- kølerør eller -komponenter er monteret i en position, hvor er det usandsynligt, at de udsættes for et stof, som kan tære de komponenter, der indeholder kølemiddel, medmindre komponenterne er fremstillet af materialer, der er resistente over for at blive tæret eller er tilstrækkeligt beskyttet mod at blive tæret.

7.9 KONTROL AF ELEKTRISKE ENHEDER

Reparation og vedligeholdelse af elektriske komponenter skal omfatte indledende sikkerhedskontroller og komponentinspektionsprocedurer. Hvis der findes fejl, som kan kompromittere sikkerheden, må der ikke sluttet strøm til kredsløbet, før de er tilfredsstillende udbedret. Hvis fejlen ikke kan udbedres straks, men det er nødvendigt at fortsætte driften, kan en passende midlertidig løsning anvendes. Dette skal rapporteres til ejeren af udstyret, så alle parter er informeret.

Indledende sikkerhedskontroller skal omfatte:

- at kondensatorer tømmes: Dette skal foregå på forsvarlig vis for at undgå risiko for gnistdannelse
- at ingen elektriske komponenter og kabler er eksponeret under påfyldning, opsamling eller gennemskylning af systemet.
- at der er konsekvent stelforbindelse.

7.10 REPARATION AF FORSEGLEDE KOMponenter

- 10.1 Under reparation af forseglede komponenter skal al elforsyning frakobles det udstyr, der arbejdes på, før forseglede dæksler osv. fjernes. Hvis det er absolut nødvendigt at have strøm til udstyret under serviceeftersynet, skal der være en permanent kørende form for lækagesporing placeret ved det mest kritiske punkt til advarsel om en potentielt farlig situation.
- 10.2 Der skal tages særligt hensyn til følgende for at sikre, at kabinettet ikke ændres under arbejde på elektriske komponenter, så beskyttelsesniveauet påvirkes. Dette omfatter skader på kabler, for stort antal forbindelser, klemmer, der ikke laves ud fra oprindelige specifikationer, beskadigelse af tætninger, forkert montering af pakninger osv.
- Sørg for, at apparatet er sikkert monteret.
 - Sørg for, at tætninger eller pakningsmaterialer ikke er forringet, således at de ikke længere kan forhindre indtrængen af brændbare atmosfærer. Reservedele skal være i overensstemmelse med producentens specifikationer.

BEMÆRK: Brug af silikonefugemasse kan hæmme virkningen af visse typer lækagesporingsudstyr. Egensikre komponenter behøver ikke at være isoleret inden arbejdet med dem.

7.11 REPARATION AF EGENSIKRE KOMponenter

Belast ikke kredsløbet med permanent induktiv eller kapacitiv last uden at sikre, at den tilladte spænding og strøm for brug af udstyret ikke overskrides. Egensikre komponenter er de eneste typer, der kan arbejdes med i en brandfarlig atmosfære. Testapparatet skal have den korrekte klassificering. Udskift kun komponenter med dele, der er specificeret af producenten. Øvrige dele kan medføre antændelse af kølemidlet i atmosfæren fra en lækage.

7.12 KABLER

Kontrollér, at kablerne ikke udsættes for slid, tæring, for højt tryk, vibrationer, skarpe kanter eller andre miljømæssige påvirkninger. I kontrollen tages også hensyn til virkningerne af aldrende eller konstante vibrationer fra kilder som kompressorer eller blæsere.

7.13 SPORING AF BRÆNDBARE KØLEMIDLER

Potentielle antændelseskilder må under ingen omstændigheder anvendes til at søge efter eller spore kølemiddellækager. Bunsenbrændere (eller en anden detektor med åben ild) må ikke anvendes.

7.14 METODER TIL SPORING AF LÆKAGE

Følgende metoder til sporing af lækager betragtes som acceptable for systemer, der indeholder brændbare kølemidler.

Elektroniske lækagedetektorer skal bruges til at spore brændbare kølemidler, men følsomheden er muligvis ikke tilstrækkelig, eller de kan have brug for genkalibrering. (Sporingsudstyr skal kalibreres i et kølemiddelfrit område.) Sørg for, at detektoren ikke er en potentiel antændelseskilde og er egnet til kølemidlet. Lækagesporingsudstyr skal indstilles til en procentdel af kølemidlets LFL og skal kalibreres til det anvendte kølemiddel. Den rette procentdel af gas (maks. 25 %) skal bekræftes. Lækagesporingsvæsker er egnet til brug med de fleste kølemidler, men brug af rengøringsmidler, der indeholder klor, skal undgås, da klorene kan reagere med kølemidlet og tære kobberørene. Hvis der er mistanke om en lækage, skal al åben ild fjernes eller slukkes. Hvis en kølemiddellækage, der kræver lodning, spores, skal al kølemidlet fjernes fra systemet eller isoleres (ved hjælp af stopventiler) i en del af systemet væk fra lækagen. Oxygenfri nitrogen (OFN) skal derefter skylles gennem systemet både før og under lodningsprocessen.

7.15 FJERNELSE OG TØMNING

Hvis kølemiddelløbet åbnes for at foretage reparationer i forbindelse med andre formål, skal konventionelle procedurer anvendes. Det er dog vigtigt, at bedste praksis følges, eftersom brændbarhed skal tages i betragtning. Følgende procedure skal overholdes:

- fjern kølemidlet.
- skyl kredsløbet med neutralgas.
- udtøm.
- skyl igen med neutralgas.
- åbn kredsløbet ved skæring eller lodning.

Det skal påfyldes kølemiddel igen i de korrekte påfyldningscylindre. Systemet skal skylles med OFN for at gøre enheden sikker. Denne proces skal muligvis gentages flere gange.

Komprimeret luft eller ilt må ikke anvendes til denne opgave.

Skylning opnås ved at bryde vakuumbet i systemet med OFN og fortsat påfylde, indtil driftstrykket er opnået. Derefter skal der udluftes til atmosfæren, og slutteligt trækkes der ned til et vakuum. Denne proces gentages, indtil der ikke er mere kølemiddel i systemet.

Når der er påfyldt OFN en sidste gang, skal systemet udluftes ned til atmosfærisk tryk, før arbejdet kan udføres. Denne handling er helt afgørende, hvis der skal loddes på rørføringen. Sørg for, at vakuumpumpens udløb ikke er tæt på nogen antændelseskilde, og at udluftning er mulig.

7.16 PÅFYLDNINGSPROCEDURER

Ud over almindelige påfyldningsprocedurer skal følgende krav overholdes:

- Sørg for, at forskellige kølemidler ikke blandes, når du bruger påfyldningsudstyr. Slangere eller rør skal være så korte som muligt for at minimere mængden af kølemiddel i dem.
- Cylindre skal holdes lodret.
- Sørg for, at kølesystemet er jordforbundet, før du påfylder systemet med kølemiddel.
- Mærk systemet, når påfyldningen er fuldført (hvis det ikke allerede er gjort).
- Du skal være yderst forsigtig med ikke at overfylde køleanlægget.
- Før genpåfyldning af systemet skal det tryktestes med OFN. Systemet skal lækagetestes efter påfyldning, men før ibrugtagning. En opfølgende lækagetest

7.17 NEDLUKNING

Inden denne procedure udføres, er det vigtigt, at teknikeren er helt fortrolig med udstyret og alle dets detaljer. Det er anbefalet god praksis, at alle kølemidler opsamles på sikker vis. Inden dette foretages, skal der tages en olie- og kølemiddelprøve.

I tilfælde af, at en analyse er påkrævet, før kølemidlet bruges igen, er det vigtigt, at der er strøm tilgængeligt, inden opgaven påbegyndes.

- a) Bliv fortrolig med udstyret og dets funktion.
- b) Isolér systemet elektrisk.
- c) Før proceduren startes, skal det sikres, at:
 - mekanisk håndteringsudstyr er tilgængeligt, om nødvendigt, til håndtering af kølemiddelcylindre.
 - alt personligt beskyttelsesudstyr er tilgængeligt og bruges korrekt.
 - opsamlingsprocessen hele tiden overvåges af en kvalificeret person.
 - opsamlingsudstyr og -cylindre er i overensstemmelse med de relevante standarder.
- d) Nedpump om muligt kølemiddelsystemet.
- e) Hvis et vakuum ikke er muligt, skal der dannes en manifold, så kølemidlet kan fjernes fra forskellige dele af systemet.
- f) Sørg for, at cylinderen er placeret på vægten, inden der opsamles.
- g) Start og brug opsamlingsmaskinen i overensstemmelse med producentens brugsanvisning.
- h) Overfyld ikke cylindrene. (Ikke mere end 80 % af væskepåfyldningsmængden).
- i) Overskrid ikke cylinderens maksimale driftstryk, heller ikke midlertidigt.
- j) Når cylindrene er påfyldt korrekt, og processen er fuldført, skal du sørge for, at cylindrene og udstyret fjernes fra stedet omgående, og at alle afspærringsventiler på udstyret er lukkede.
- k) Opsamlet kølemiddel må ikke påfyldes i et andet køleanlæg, medmindre det er rengjort og kontrolleret.

7.18 MÆRKNING

Udstyret skal mærkes, så det angiver, hvornår det har været lukket ned og tømt for kølemiddel. Etiketten skal være dateret og signeret. Sørg for, at der er etiketter på udstyret med angivelse af, at udstyret indeholder brændbart kølemiddel.

7.19 OPSAMLING

- Når du fjerner kølemiddel fra et system, enten i forbindelse med serviceeftersyn eller nedlukning, er det anbefalet god praksis, at alle kølemidler fjernes sikkert.
- Når kølemiddel hældes på cylindre, skal det sikres, at der kun anvendes passende kølemiddelopsamlingscylindre. Sørg for, at det korrekte antal cylindre til systemets samlede påfyldningsmængde er tilgængeligt. Alle de cylindre, der skal bruges, er beregnet til det opsamlede kølemiddel og mærket med det pågældende kølemiddel (dvs. specialcylindre til opsamling af kølemiddel). Cylindre skal være komplette med overtryksventil og tilhørende stopventiler i god driftsmæssig stand.
- Tomme opsamlingscylindre skal tømmes helt og om muligt afkøles, inden opsamlingen foretages.
- Opsamlingsudstyr skal være i god stand med et sæt instruktioner vedrørende det pågældende udstyr og velegnet til opsamling af brændbare kølemidler. Desuden skal et sæt kalibrerede vægte være tilgængelige og i god driftsmæssig stand.
- Slangere skal være komplette med lækagefri sammenkoblinger og i god stand. Inden du bruger opsamlingsmaskinen, skal du kontrollere, at den er i tilfredsstillende stand, er korrekt vedligeholdt, og at eventuelle tilknyttede elektriske komponenter er forseglet for at forhindre antændelse i tilfælde af kølemiddelfrigivelse. Kontakt producenten, hvis du er i tvivl.
- Det opsamlede kølemiddel skal returneres til kølemiddelleverandøren i en korrekt opsamlingscylinder og med den relevante affaldsoverførselsbemærkning placeret derpå. Bland ikke kølemidler i opsamlingsenheder og især ikke i cylindrene.
- Hvis kompressorer eller kompressorolier også skal fjernes, skal du sørge for, at de er blevet tømt til et acceptabelt niveau for sikre, at det brændbare kølemiddel ikke findes i smøremidlet. Tømningsprocessen skal udføres, før kompressoren returneres til leverandørerne. Der må kun bruges elektrisk opvarmning af kompressoren for at accelerere processen. Når olien er aftappet fra et system, skal det gøres på omhyggelig vis.

7.20 TRANSPORT, MÆRKNING OG OPBEVARING AF ENHEDER

1. Transport af udstyr, som indeholder brændbare kølemidler, skal være i overensstemmelse med transportbestemmelserne
2. Mærkning af udstyr med skilte skal være i overensstemmelse med lokale bestemmelser
3. Bortskaffelse af udstyr med brændbare kølemidler skal være i overensstemmelse med national lovgivning
4. Opbevaring af udstyr/apparater
Opbevaring af udstyr skal være i overensstemmelse med producentens anvisninger.
5. Opbevaring af emballeret (usolgt) udstyr
Opbevaringsemballagen skal konstrueres, således at mekanisk beskadigelse af udstyret i pakken ikke vil forårsage en kølemiddellækage.
Det maksimale antal stykker udstyr, der er tilladt til samlet opbevaring, fastsættes af lokale bestemmelser.

Toode vastab Euroopa Liidu madalpingedirektiivile (2014/35/EL) ja elektromagnetilise ühilduvuse direktiivile (2014/30/EL).



Toote nõuetekohane käitlemine (elektri- ja elektroonikaseadmete jäätmed)

(Kui õhukonditsioneer kasutatakse Euroopa riikides, tuleb järgida järgmisi nõudeid)

– See sümbol tootel või selle dokumentatsioonil tähendab, et elektri- ja elektroonikaseadmete jäätmeid (WEEE direktiivi 2012/19/EL kohaselt) ei tohi käidelda koos olmeprügiga. Seda seadet ei tohi ära visata koos olmeprügiga. Seadme käitlemiseks on eri võimalused.

1. Omavalitsuses on jäätmete kogumissüsteem, kus kasutaja saab elektroonikaseadmete jäätmed tasuta ära anda.
2. Uue toote ostmisel võtab müüja vana toote tasuta tagasi.
3. Tootja võtab kasutaja vana toote käitlemiseks tasuta tagasi.
4. Vanad seadmed sisaldavad väärtuslikke materjale ja need saab müüa vanametalli kokkuostupunkti. Jäätmete äraviskamine metsa ja mujale loodusesse on tervisele kahjulik, sest ohtlikud ained satuvad põhjavette ja sealt toiduahelasse.

See toode sisaldab Kyoto protokolliga hõlmatud fluoritud gaase

Gaasi keemiline nimetus	R32
Gaasi globaalset soojenemist põhjustav potentsiaal (GWP)	675

⚠ ETTEVAATUST!

- | | |
|--|---|
| 1. Paigaldage kaasasolev külmutusagensi silt laadimis- ja/või tühjaklaadimiskoha lähedale. | 4. Toodeid tohivad avada ja hooldada ainult kvalifitseeritud hooldustehnikud. |
| 2. Kirjutage seadmes sisalduva külmutusagensi kogus kustumiskindla tindiga loetavalt külmutusagensi sildile. | 5. Tootes sisalduva fluoritud gaasiga mistahes viisil ümberkäimise (nt toote teisaldamise või gaasi lisamise) korral tuleb järgida (EÜ) määrust nr 517/2014 teatavate fluoritud kasvuhoonegaaside kohta ja kõiki kehtivaid kohalikke õigusakte. |
| 3. Vältige sisalduva fluoritud gaasi pihkumist. Tagage, et fluoritud gaasi ei lasta paigaldamise, hooldamise või käitlemise käigus kunagi atmosfääri. Kui avastate seadmes sisalduva fluoritud gaasi lekke, tuleb leke esimesel võimalusel peatada ja parandada. | 6. Kui süsteemi on paigaldatud lekkevastussüsteem, tuleb selle lekkekindlust kontrollida vähemalt iga 12 kuu järel. |
| | 7. Kui seadet kontrollitakse lekete suhtes, on soovitatav kõik kontrollid nõuetekohaselt dokumenteerida. |

Siseseade	Välisseade	Nimipinge ja sagedus
42QHP09E8S*	38QHP09E8S*	220-240V~, 50Hz
42QHP12E8S*	38QHP12E8S*	

Tootjal on õigus muuta toote mistahes spetsifikatsiooni ilma sellest ette teatamata.

SISUKORD

1. ETTEVALMISTUSED PAIGALDAMISEKS.....	3
1.1 Ettevaatusabinõud	3
1.2 Tarvikud	5
1.3 Paigalduskoha valimine	6
2. SISESEADME PAIGALDAMINE	7
2.1 Siseseadme kinnitusplaat	7
2.2 Paigaldamine	8
3. VÄLISSEADME PAIGALDAMINE	9
3.1 Välisseadme paigaldusmõõtmed	9
3.2 Välisseadme ruuminõuded	9
3.3 Välisjuhtmete ühendamine	10
3.4 Välisseadme paigaldamine	10
3.5 Välisseadme äravoolutoru paigaldamine	10
4. KÜLMUTUSAGENSI TORUDE ÜHENDAMINE	11
4.1 Torumuhvi moodustamine	11
4.2 Torude ühendamine	11
4.3 Külmutusagensi toru	12
4.4 Õhu väljalaskmine	12
4.5 Leketest	12
5. JUHTMETE ÜHENDAMINE	13
6. LÕPLIK KONTROLL JA PROOVIKÄITUS.....	14
6.1 Lõpliku kontrolli loend.....	14
6.2 Käsijuhtimine	14
6.3 Proovikäitus	14
7. HOOLDUSTEAVE	15



Ettevaatust! Tuleoht
ainult jahutusvedelikule
R32/R290

1.1 ETTEVAATUSABINÕUD

- Õhukonditsioneeri paigaldamine, käivitamine ja hooldamine võib olla töö rõhu, elektrikomponentide ja seadme asukoha tõttu (katused, kõrged ehitised jne) ohtlik.
- Seadet tohivad paigaldada, käivitada ja hooldada ainult vastava väljaõppe ja kvalifikatsiooniga paigaldajad ja hooldustehnikud.
- Seadmega töötamisel järgige dokumentatsioonis ja seadmel olevatel märkidel, kleebistel ja siltidel olevaid ettevaatusabinõusid.
- Järgige kõiki ohutuseeskirju. Kandke kaitseprille ja töökindaid. Jootmisel hoidke karastamislapp ja tulekustuti käeulatuses. Olge ettevaatlik raskete seadmete ülesriputamisel, toestamisel ja kohaleasetamisel.
- Lugege see juhend põhjalikult läbi ning järgige dokumentatsioonis ja seadmel olevaid hoiatusi ja märkusi. Erinõudeid vt kohalikest ehituseeskirjadest ja riiklikust elektriskeerist.

! HOIATUS!

See sümbol tähendab raskete või eluohtlike kehavigastuste ohtu.

- **Külmutusagens on õhust raskem gaas ja surub hapniku välja. Tugev leke võib tekitada hapnikuvaese keskkonna (eriti keldrites) ja lämbumisohtu, mis võib tuua kaasa rasked või eluohtlikud kehavigastused.**
- **Kui õhukonditsioneer paigaldatakse väiksesse ruumi, tuleb võtta meetmed tagamaks, et lekke korral ei ületaks külmutusagensi kontsentratsioon kriitilist taset.**
- **Kui külmutusgaas lekib paigaldamise ajal, tuleb ala kohe ventileerida.**
Kui külmutusgaas puutub kokku lahtise tulega, nt soojapuhurist, ahjust või muust köögiseadmest, võib moodustuda mürgine gaas. Kokkupuude selle gaasiga võib tuua kaasa rasked või eluohtlikud kehavigastused.
- **Enne mistahes elektritöö tegemist tuleb seade toiteallikast lahutada. Ühenduskaabel tuleb õigesti ühendada.**
Valesti ühendamise võib kahjustada elektrisüsteemi osi.
- **Kasutage elektrühenduste jaoks ettenähtud kaablit ja kinnitage juhtmed klemmliistu ühenduste külge kindlalt, et klemmidele ei mõjuks välist jõudu.**
- **Tehke kindlasti maandus.**
Ärge maandage seadmeid gaasitorude, veetorude, piksevarraste ega telefonijuhtmete kaudu. Puudulik maandus võib tekitada suure elektrilöögiohtu, mis võib kaasa tuua vigastused või eluohtlikud kehavigastused.
- **Käidelge pakkematerjalid ohutult viisil.**
Pakkematerjalid (nt naelad ja muud metall- või puitosad) võivad tekitada torke- või muid vigastusi. Rebige kilekotid katki ja visake need ära, et lapsed ei saaks nendega mängida. Lapsed võivad kilekottidega mängides lämbuda.
- **Ärge paigaldage seadet kohta, kus on suur kergsüttiva gaasi või auru kontsentratsioon.**
- **Kasutage ainult kaasolevaid või täpselt samaväärseid paigaldusvahendeid.**
Muude vahendite kasutamise korral võib seade tulla lahti, tekkida veeleke, elektrilöögioht, tulekahju või seade võib saada kahju.
- **Süsteemi paigaldamise või ümberpaigutamise ajal ei tohi lasta külmutusagensi kontuuri sattuda õhul ega muudel ainetel peale ettenähtud külmutusagensi (R410A).**
- **Ärge kunagi muutke seadet, nt eemaldage kaitsekatteid või muutke töövõimetuks mõnda ohutusblokeeringu lülitit.**
- **Elektritööd tuleb teha paigaldusjuhendi ning riiklike ja kohalike elektritööde eeskirjade kohaselt.**

! HOIATUS!

- **Kasutage kindlasti ainult seadme jaoks ette nähtud toiteahelat. Ärge kunagi jagage sama toitepesa muude elektriseadmetega.**
- **Ülekuumenemiskaitse tahtmatust lähtestamisest tingitud ohtliku olukorra vältimiseks ei tohi seadet ühendada toitevõrku välise lülitusseadme kaudu (nt taimer) ega toitevõrku, mida teenusepakkuja sagedasti sisse ja välja lülitab.**
- **Kasutage elektrühenduse tegemiseks ettenähtud isoleeritud kaablit, mille isolatsioonil on ettenähtud temperatuurikindlusklass.**
Nõuetele mittevastavad kaablid võivad põhjustada voolulekke, ülekuumuse või tulekahju.
- **Ärge kasutage sulamise kiirendamiseks ega seadme puhastamiseks mingeid muid vahendeid peale tootja soovitatud vahendite.**
- **Seadet tuleb hoida ruumis, kus ei asu pidevalt toimivaid süttimisallikaid (nt lahtine leek, töötav gaasiseade või töötav elektrisoojendi)**
- **Ärge torgake seadet läbi ega põletage seda.**
- **Arvestage, et külmutusagensid võivad olla lõhnatud.**
- **Seadet tuleb hoida hea ventilatsiooniga kohas, kus ruumi suurus on vastavuses töötamiseks ettenähtud ruumi suurusega.**
- **R32 külmutusagensi mudelite korral võtke arvesse järgmist.**
Seade tuleb paigaldada ning seda tuleb kasutada ja hoida ruumis, mille põrandapind on suurem kui 4 m².
Seadet ei tohi paigaldada õhutuseta ruumi, mis on väiksem kui 4 m².
- **Mudelite korral külmutusagensiga R290 on minimaalne ruumi suurus järgmine:**
≤9000 Btu/h: 13 m²
>9000 Btu/h ja ≤12 000 Btu/h: 17 m²
>12 000 Btu/h ja ≤18 000 Btu/h: 26 m²
>18 000 Btu/h ja ≤24 000 Btu/h: 35 m²

! ETTEVAATUST!

See sümbol hoiatab varakahju või muude raskete tagajärgede eest.

- **Kehavigastuste vältimiseks olge teravaservaliste osade käsitlemisel ettevaatlik.**
- **Ärge paigaldage sise- või välisseadet ebatavaliste keskkonnatingimustega kohta.**
- **Ärge paigaldage seadet kohta, mis võimendab seadme müra või kus müra või väljapuhutav õhk võib häirida naabreid.**
- **Paigaldage äravoolu- ja muud torud kindlalt paigaldusjuhendi järgi.**
Ebaõigesti paigaldatud äravoolutorud võivad põhjustada veelekke ja tekitada varakahju.
- **Õhukonditsioneeri ei tohi paigaldada järgmistesse kohtadesse.**
 - kohtadesse, kus leidub mineraalõli või arseenhapet;
 - kohtadesse, kus võivad akumulieruda või koguneda söövitavad gaasid (nt väävelhappegaas) või kergsüttivad gaasid (nt lahusti) või kus käideldakse lenduvaid kergsüttivaid aineid;
 - kohtadesse, kus on seadmed, mis tekitavad elektromagnetilisi välju või kõrgeid harmoonilisi sagedusi.
- **Seadet tuleb hoida nii, et ei tekiks mehaanilisi kahjustusi.**
- **Iga isikul, kes töötab külmutusagensi kontuuriga või seda käsitleb, peab olema akrediteeritud hindamisasutuse väljastatud kehtivat sertifikaati, mis tõendab, et isik oskab külmutusagensid vastavalt valdkonna tunnustatud hindamiseeskirjale ohutult käsitseda.**

1.2 TARVIKUD

Seadmega on kaasas järgmised tarvikud. Tüüp ja kvaliteet võib erineda olenevalt tehnilistest näitajatest.

Tarviku nimetus	Kogus (tk)	Kuju	Tarviku nimetus	Kogus (tk)	Kuju
Juhend	3		Kaugjuhtimispuul	1	
Väljalaskeotsik	1		Patarei	2	
Tihend	1		Kaugjuhtimispuldi hoidik	1	
Paigaldusplaat	1		Kruvi B	2	
Tüübel	5		Väike filter	1	
Kruvi A	5		Magnetrõngas (mõnel seadmel)	N*	

* tähistab tegelikku kogust

1.3 PAIGALDUSKOHA VALIMINE

Siseseade

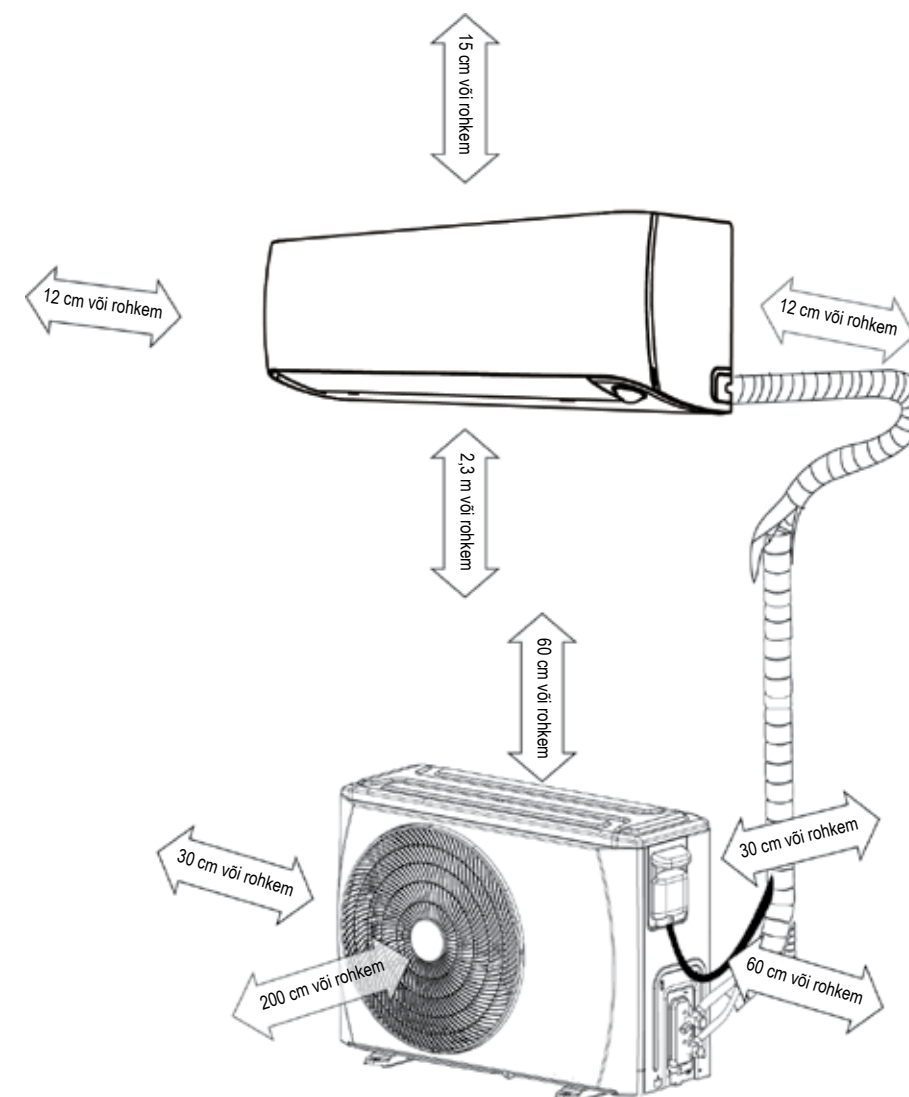
- Koht peab kandma siseseadme raskust.
- Ärge paigaldage siseseadet otse soojusallika lähedale, nagu otsene päikesevalgus või kütteseade.
- Koht peab võimaldama allpool oleval joonisel näidatud kaugusi.
- Seadme liikuvad osad tuleb paigaldada / peavad jääma põrandapinnast vähemalt 2,3 m kõrgusele.

Välisseade

- Koht peab võimaldama hõlpsat paigaldamist ja olema varjatud tugeva tuule eest. Kui seade jääb tugeva tuule kätte, tuleks kasutada tuuletõket.
- Koht peab kandma välisseadme raskust ja võimaldama seadme paigaldamist loodis asendisse.
- Koht peab võimaldama allpool oleval joonisel näidatud kaugusi.

Ärge paigaldage sise- või välisseadet ebatavaliste keskkonnatingimustega kohta.

Veenduge, et oleks piisavalt ruumi paigaldamiseks ja hooldamiseks.



NB! Veenduge, et seade oleks seinast, laest, aiast või muudest takistustest noolega näidatud kaugusel.

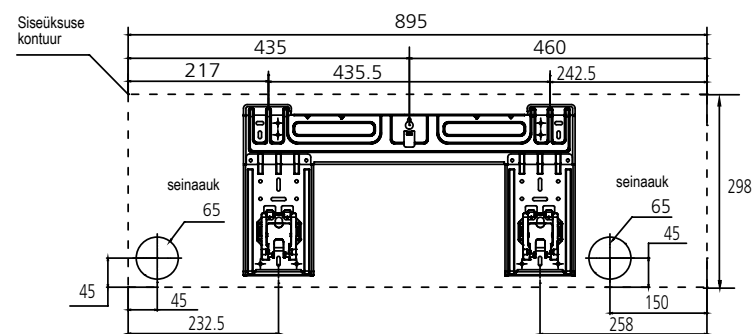
Torud saab paigaldada paremale, vasakule, taha vasakule ja taha paremale.

Pange kasutamata väljalaskeava ette kaasas olev kummist kork.

Lõigake lõigatavast paneelist välja ava vastavalt toru mõõtmetele.

lõigatav paneel

2.1 SISESEADME KINNITUSPLAAT

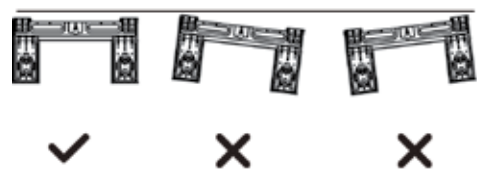


Üksus: mm

NB! Kui gaasipoolse ühendustoru läbimõõt on 16 mm (5/8 tolli) või suurem, peab toru ava olema 90 mm (3,54 tolli).

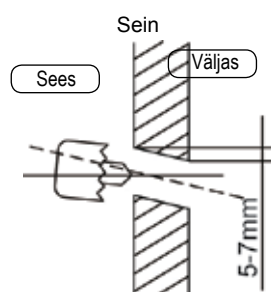
■ Kinnitusplaadi paigaldamine

Paigaldage kinnitusplaat horisontaalselt ja loodis seinale viie või enama A-tüüpi kruviga.



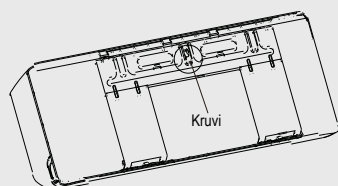
■ Läbi seinava puurimine

Puurige läbi seinava 65 mm või 90 mm ava (olenevalt mudelist), mis on veidi väljapoole kaldu.



NB!

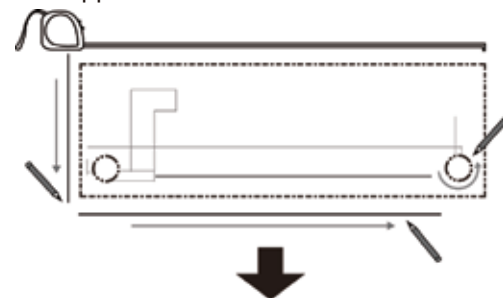
■ Tarnimiseks on kinnitusplaat ühendatud ühe kruviga, enne paigaldamist tuleb kruvi eemaldada. (vt joonist)



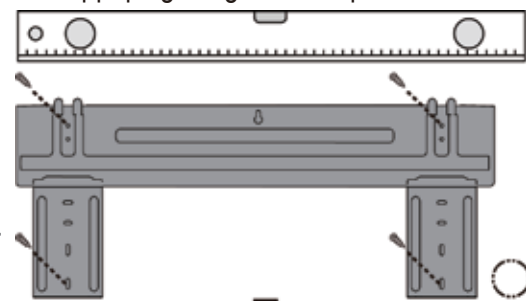
■ Olenevalt seadme suurusest näeb kinnitusplaat välja järgmine. Avad kinnitustüüblite jaoks peaks olema 5 mm.

2.2 PAIGALDAMINE

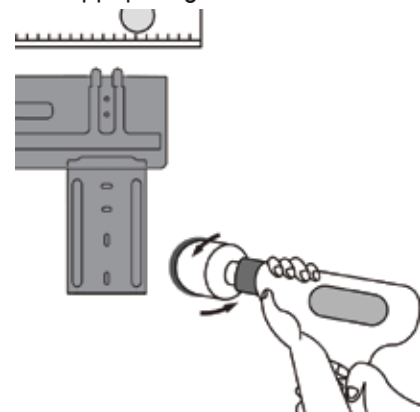
1. etapp: tehke kindlaks seinava asukoht



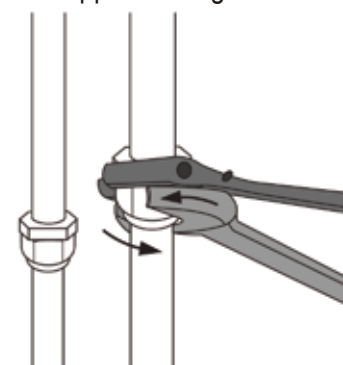
2. etapp: paigaldage kinnitusplaat



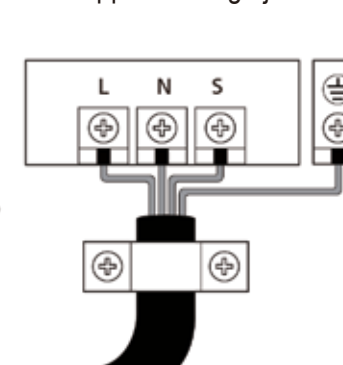
3. etapp: puurige läbi seinava



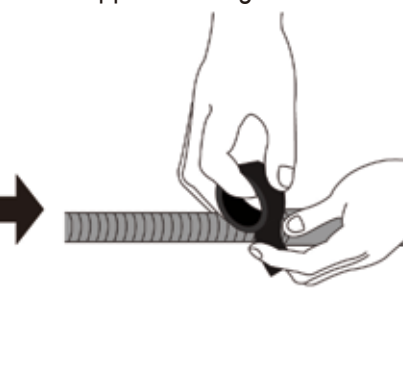
4. etapp: ühendage torud



5. etapp: ühendage juhtmed



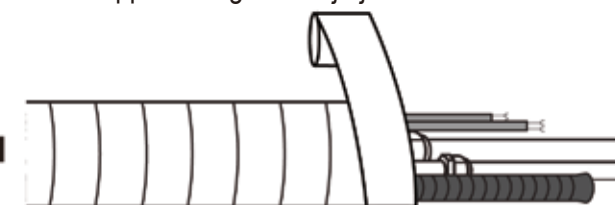
6. etapp: valmistage ette äravooluvoorik



8. etapp: riputage siseseade üles

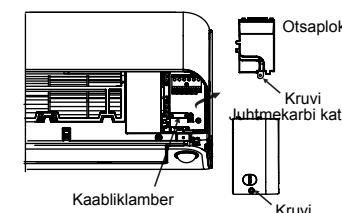
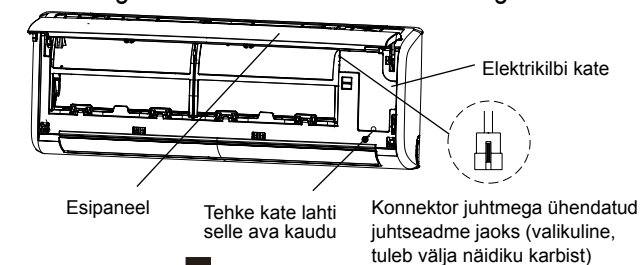


7. etapp: mähkige torud ja juhtmed



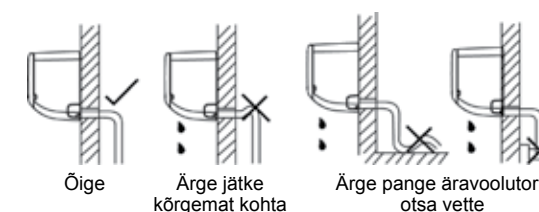
■ Sisejuhtmete ühendamine

1. Tõstke siseseadme esipaneel üles.
2. Avage siseseadme elektrikliki kate kruvikeeraja abil, eemaldage käsitsi klemmliistu kate, keerake lahti kaabliklambri kruvid ja eemaldage kaabliklamber.
3. Pange ühendusjuhtmed läbi siseseadme tagakülje ja ühendage need siseseadme klemmliistuga.



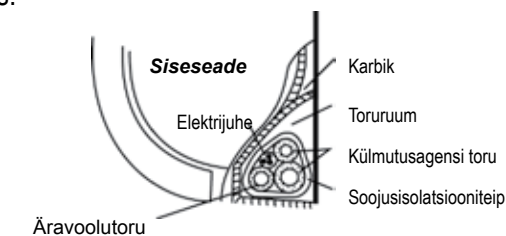
■ Äravool

Äravoolutorus ei tohi kusagil olla takistust, see peab olema alla suunatud kaldega ja tuleb kuni välisseinani isoleerida.



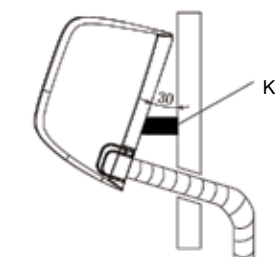
■ Toru mähkimine

- Vt allpool olevalt jooniselt, kuidas tuleb paigutada külmutusagensi toru, elektrijuhtmed ja äravoolutorud.
- Paigutage äravoolutoru külmutusagensi toru alla.
 - Veenduge, et äravoolutoru pole ülespoole kaldus ega keerdus.



■ Siseseadme ülesriputamine

1. Juhtige külmutusagensi torud läbi seinas oleva ava.
2. Riputage siseseadme kinnitusplaadi ülemise konksu taha ja lükake siseseadme alumine osa seinale alumise konksu peale.
3. Liigutage siseseadet küljelt küljele ja veenduge, et see on korralikult konksu küljes kinni.



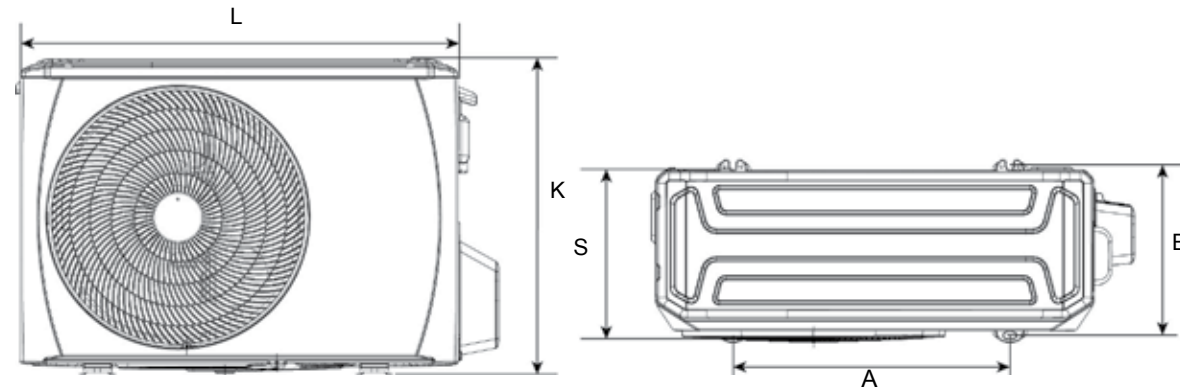
ETTEVAATUST!

- Toru ühendusosad tuleb paigutada ruumist välja.

3. VÄLISSEADME PAIGALDAMINE

3.1 VÄLISSEADME PAIGALDUSMÕÖTMED

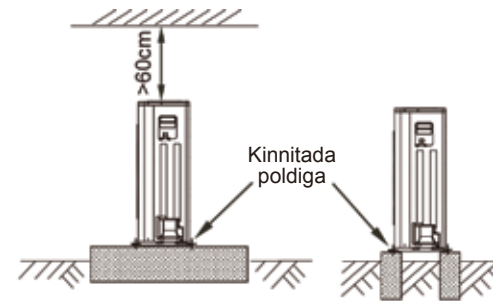
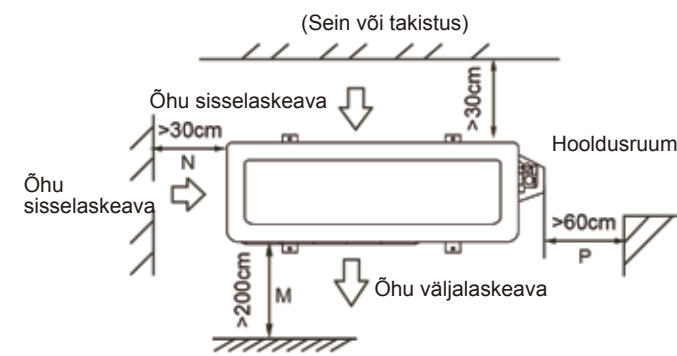
Paigaldamismõõtmed on eri välisseadmete puhul erinevad. Kinnituspoldi pea läbimõõt peab olema üle 12 mm.



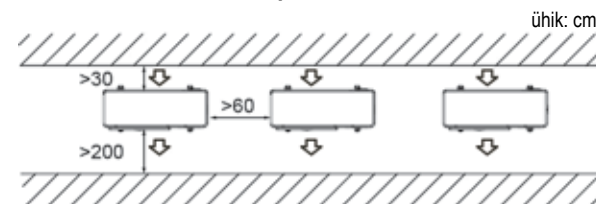
Välisseadme mõõtmed (mm)				Paigaldamismõõtmed (mm)	
Välisüksus	L	K	S	A	B
38QHP09E8S 38QHP12E8S	800	554	333	515	340

3.2 VÄLISSEADME RUUMINÕUDMISED

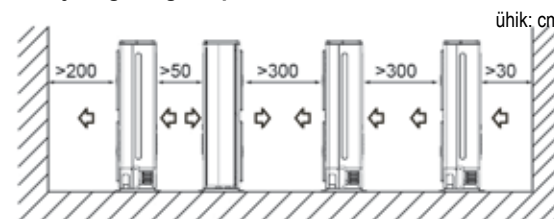
Ühe seadme paigaldamine



Kahe või enama seadme paralleelne ühendamine



Esi- ja tagakülgede paralleelne ühendamine



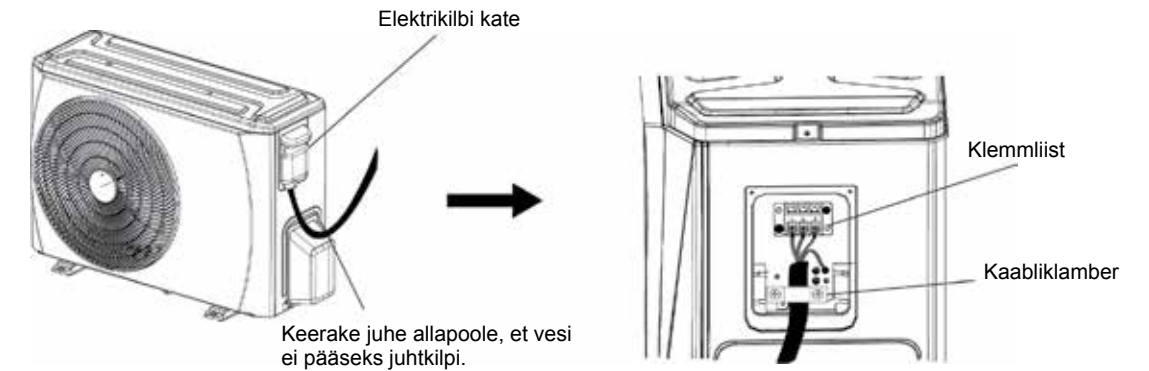
⚠ ETTEVAATUST!

- Lumesaju ja külma temperatuuriga piirkondades vältige välisseadme paigaldamist kohta, kus see võib jääda lume alla. Kui on oodata rasket lumekoormust, tuleb seadme kaitsmiseks pealesadava lume ja/või õhu sissevõtuava ummistumise eest paigaldada kohapeal hangitud jää- või lumetugi ja/või kohapeal hangitud tuuletöke.

3. VÄLISSEADME PAIGALDAMINE

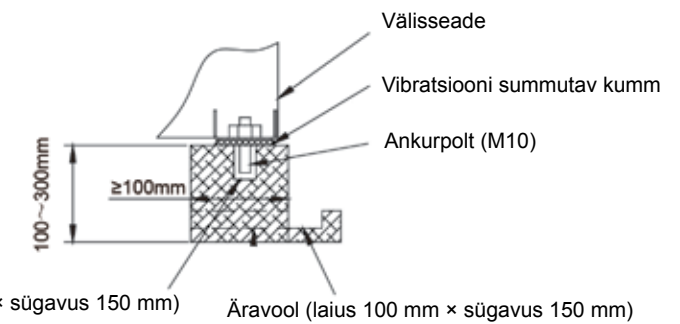
3.3 VÄLISJUHTMETE ÜHENDAMINE

- Keerake lahti elektrikilbi kate ja kaabliklambri kruvid ning eemaldage need.
- Ühendage juhtmed välisseadme klemmliistu alla samas järjekorras nagu siseseadme puhul.



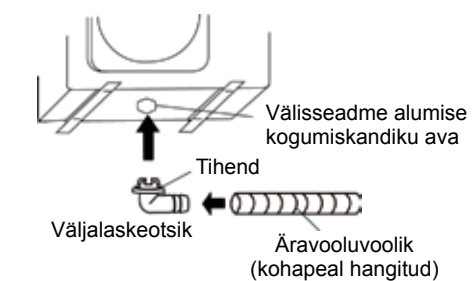
3.4 VÄLISSEADME PAIGALDAMINE

- Enne paigaldamist kontrollige aluse tugevust ja horisontaalsust, et seade ei tekitaks ebatavalist müra.
- Kinnitage alus korralikult ankrupoltide abil (M10), et vältida selle kokkuvarisemist.
- Paigaldage vundament ja vibratsiooni summutavad kummid nii, et need toetaks otse välisseadme põhjaga kontaktis oleva kinnitusjala alumist külge.



3.5 VÄLISSEADME ÄRAVOOLUTORU PAIGALDAMINE

- Ühendage väljalaskeotsik äravooluvooliku pikendusvoolikuga.
- Paigaldage väljalaskeotsikule tihend.
- Pistke väljalaskeotsik välisseadme alumise kogumiskandiku avasse ja keerake 90 kraadi, et need omavahel ühendada.



⚠ ETTEVAATUST!

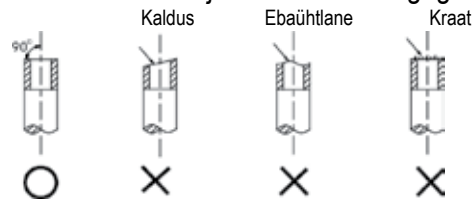
- Kontrollige, kas sise- ja välisseadme kõrguste erinevus ja külmutusagensi toru kogupikkus vastavad süsteemi nõuetele.
- Külmutusagensi torud tuleb paigaldada pärast sise- ja välisseadme paigaldamist, kõigepealt tuleb ühendada toru siseseadme poolel ja siis välisseadme poolel.
- Pange torude otstele alati kaitseks kork või teip ja ÄRGE eemaldage seda enne, kui olete valmis torusid ühendama.
- Isoleerige kõik paigaldatud torud kogu pikkuses kuni seadme sisse välja. Isoleerimata toruosad võivad tekitada kondensaadi või põhjustada puudutamisel põletusvigastusi.
- Kui välisseade on kõrgemas asendis ja kõrguse erinevus on üle 10 m, on soovitatav jätta gaasitorusse iga 5–8 m tagant õli tagasivooluaas. Õli tagasivooluaasa raadius peaks olema üle 10 cm.

4.1 TORUMUHVI MOODUSTAMINE

NB!

- Torumuhvi moodustamiseks on vaja torulõikurit, hõõritsat, torumuhvi moodustamise tööriista ja toruhoidikut.
- Jahutusvedeliku mudelite R32 jaoks peab toru ühenduskohad asetama toast välja.

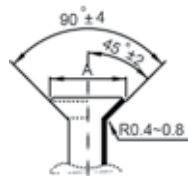
4.1.1 Lõigake toru torulõikuriga õigele pikkusele. Lõikeserv peab olema toru külje suhtes 90° nurgaga.



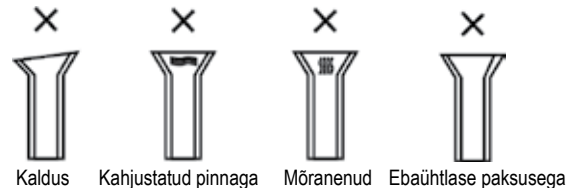
4.1.2 Eemaldage hõõritsa abil kraadid, hoides lõigatud pinda allapoole, et puru ei satuks torusse.

4.1.3 Moodustage vastava tööriista abil torumuhv, nagu allpool näidatud.

Välisläbimõõt	A (mm)	
	Max	Min
Ø 6,35 mm	8,7	8,3
Ø 9,52 mm	12,4	12,0
Ø 12,7 mm	15,8	15,4
Ø 15,88 mm	19,0	18,6
Ø 19,05 mm	23,3	22,9



4.1.4 Kontrollige, kas torumuhv on õigesti moodustatud. Vt alt näiteid valesti moodustatud torumuhvidest.

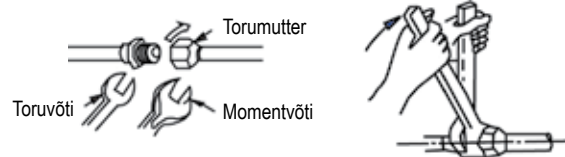


⚠ ETTEVAATUST!

- Kui on vaja joota, kasutage lämmastikukeskkonnas jootmist.
- Vale pingutusmomendiga kinnitamise korral torumuhv kahjustub või tekib gaasileke.

4.2 TORUDE ÜHENDAMINE

4.2.1 Torumutri kinnikeeramiseks pange keskosa kohakuti ja keerake ühendus kahe mutrivõtmega kinni.



Toru läbimõõt	Pingutusmoment
Ø 6,35 mm	18–20 Nm
Ø 9,52 mm	25–26 Nm
Ø 12,7 mm	35–36 Nm
Ø 15,88 mm	45–47 Nm
Ø 19,05 mm	65–67 Nm

4.2.2 Valige külmutusagensi toru jaoks sobiv isolatsioonimaterjal (min 10 mm, soojusisoleerivaht C).

- Kasutage gaasi- ja vedelikutorude jaoks eraldi soojusisoleeritorusid.
- Ülaltoodud paksus on standardne 27 °C sisetemperatuuri ja 80% õhuniiskuse jaoks. Kui seade paigaldatakse ebasoodsasse kohta, nagu vannituba, köögi ja muude sarnaste kohtade lähedale, tuleb isolatsiooni tugevdada.
- Isolatsiooni kuumuskindlustemperatuur peab olema üle 120 °C.
- Pange isolatsiooni ühenduskohtadesse liimi, et vältida niiskuse sissetungimist.
- Parandage ja katke kinni võimalikud praod isolatsioonis. Kontrollige eriti hoolikalt torukaari ja torude kinnituskohti.

4.3 KÜLMUTUSAGENSI TORU

Märkus. Jahutusvedelikku peab täitma välisüksuse madalrõhklapi teeninduspordilt.

R32*	Miinimumpikkus liigse vibratsiooni ja müra vähendamiseks	Laadimata pikkus	Laadida täiendavalt iga meetri kohta	
			Vedelikupool: Ø6,35 mm	Vedelikupool: Ø9,52 mm
	3 m	5 m	12 g	24 g

* Kasutage R32 süsteemi jaoks ette nähtud tööriistu.

NB!

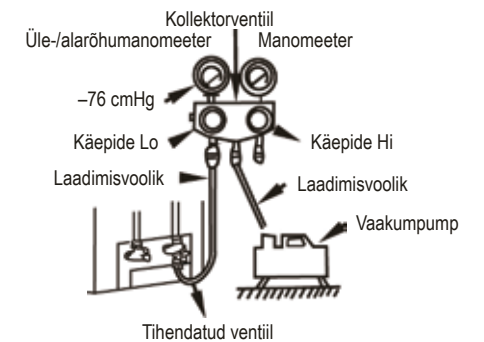
- Pikem toru mõjutab seadme võimsust ja energiatõhusust.
- Nimitõhusust on testitud 5 m pikkuse toruga.
- Kui toru pikkus on üle 5 m, tuleb lisada täiendavalt külmutusagensit vastavalt toru pikkusele.
- Maksimaalne soovituslik toru pikkus on näidatud allpool.

Mudelid	R32 inverter	
	Max toru pikkus (m)	Max kõrguse erinevus (m)
9K/12K	25	10

* Kasutage R32 süsteemi jaoks ette nähtud tööriistu.

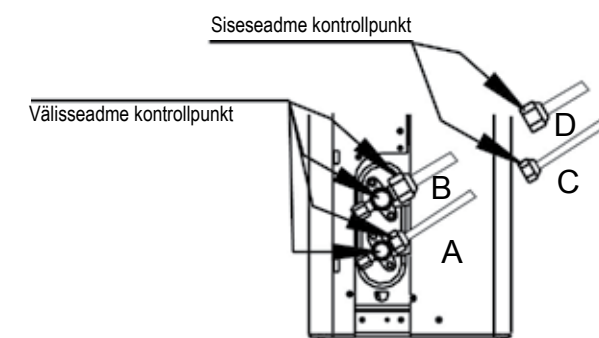
4.4 ÕHU VÄLJALASKMINE

- Ühendage kollektori manomeetri laadimisvoolik gaasipole tihendatud ventiili täitmisavaga.
- Ühendage laadimisvoolik vaakumpumbaga.
- Avage täielikult kollektori manomeetri käepide „Lo”.
- Käituge vaakumpumpa, et lasta süsteemist õhku välja seni, kuni manomeetri näit on –76 cmHg.
- Sulgege kollektori manomeetri käepide „Lo”.
- Avage täielikult tihendatud ventiili klappivars.
- Ühendage laadimisvoolik täitmisava küljest lahti.
- Keerake tihendatud ventiili korgid kõvasti kinni.



4.5 LEKKETEST

Kui torud on ühendatud, kontrollige kõikide külmutusagensi torude ühendusi gaasilekete suhtes, selleks piserdage neile seebivett või kasutage HFC-külmutusagensi lekkedetektorit. Vt allpool olevat joonist.



A: madalrõhu sulgeventiil
B: kõrgrõhu sulgeventiil
C ja D: siseseadme torumutrid

⚠ ETTEVAATUST!

- Kõik elektriühendused peab tegema kvalifitseeritud paigaldaja ja kõik juhtmed tuleb ühendada vastavalt elektriskeemile.
- Maandusühendused tuleb teha enne kõiki muid elektriühendusi.
- Enne elektritööde alustamist tuleb lahutada kõik toiteallikad ja neid ei tohi tagasi ühendada enne, kui kõikide juhtmete ohutust on kontrollitud.
- Paigaldada tuleb pealüliti ja kaitselüliti, mille võimsus on 1,5 korda suurem elektrisüsteemi suurimast voolutugevusest.
- Seadme jaoks tuleb kasutada eraldi haruahelat ja individuaalset pistikupesast.
- Juhtmesoonte ristlõige sõltub nimivoolutugevusest ning riiklikest ja kohalikest elektrieskirjadest. Erinõudeid vt kohalikest ehituseeskirjadest ja riiklikust elektrieskirjast.
- Katkine toitejuhe tuleb lasta asendada tootjal, tema esindajal või muul vastava kvalifikatsiooniga isikul, et vältida ohtlikku olukorda.
- Seade tuleb ühendada toitevõrku läbi kaitselüliti või lüliti, mille iga pooluse kontaktid on üksteisest vähemalt 3 mm kaugusel. Soovitav on paigaldada rikkevoolukaitse (RCD), mille nimirakendumisvool on maksimaalselt 30 mA.
- Seadme maandusühendus on ainult talitluse otstarbeks.

■ Kõigi mudelite nimivoolutugevus

Mudel	Nimivoolutugevus (A)	Kaitselüliti klass (A)	Toitejuhe (min ristlõikega)	Ühenduskaabel (min ristlõikega)
38QHP09E8S	10,0	16	3*1,5 mm ²	5*1,5 mm ²
38QHP12E8S	13,0	20	3*1,5 mm ²	5*1,5 mm ²

MÄRKUS.

1. Kõikide elektrijuhtmete mõõtmed peavad vastama riiklikele ja kohalikele elektrieskirjadele. Erinõudeid vt kohalikest ehituseeskirjadest ja riiklikust elektrieskirjast.
2. Välisjuhtmed ja ühenduskaabel peavad olema H07RN-F tüüpi.
3. Seadme nimivoolutugevus on esitatud nimesildil.
4. Välisüksuse kaitse spetsifikatsiooniks on T20A/250VAC (kohaldatav ainult jahutusvedelikku R32 kasutatavatele üksustele) Märkus. Kaitse on keraamilisest materjalist.

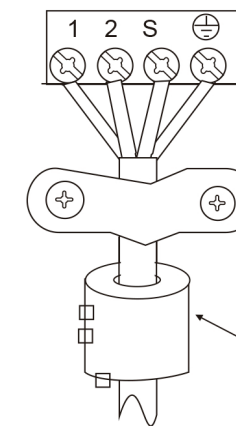


■ Ühendusskeem

Mudel	Siseüksus	Välisüksus
QHP09 QHP12		
	Väliseks	Sisendvõimsus Sisemiseks

- Magnetrõnga paigaldamine
NB! Klemmiist võib olla mudelitel erinev.

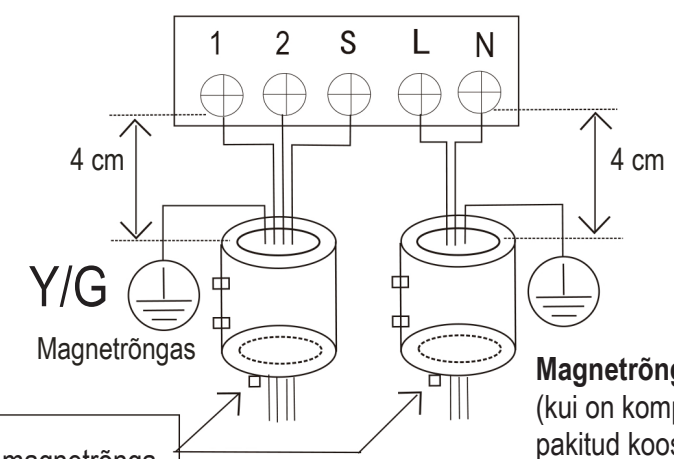
Siseseade



Magnetirõngas

(kui on komplektis ja pakitud koos tarvikutega)
Tõmmake rihtm läbi magnetrõnga augu, et see juhtmele kinnitada

Välisseade

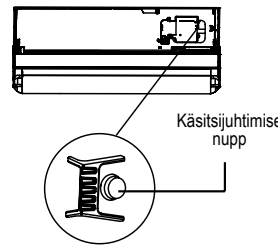


Tõmmake rihtm läbi magnetrõnga augu, et see juhtmele kinnitada

6.1 LÕPLIKU KONTROLLI LOEND

Paigaldamise lõpetamiseks tehke enne proovikäitust järgmised kontrollid.

- Kontrollige sise- ja välisseadme paigalduskohtade kindlust ning et seadme õhu väljalaskeava ja tagasivooluava poleks blokeeritud.
- Kontrollige külmutusagensi torude ühendusi ja et poleks lekkeid.
- Kontrollige, kas elektrijuhtmed on õigesti ühendatud ja kas seade on maandatud.
- Kontrollige torude kogupikkust ja märkige üles täiendavalt laaditud külmutusagensi hulk.
- Kontrollige, kas toide vastab õhukonditsioneerimise nimipingele.
- Kontrollige torude isolatsiooni.
- Kontrollige äravoolu.



6.2 KÄSIJUHTIMINE

Käsijuhtimise käivitamiseks tuleb vajutada käsijuhtimise nuppu.

Järgmiste töörežiimide sisselülitamiseks vajutage korduvalt käsijuhtimise nuppu.

- Üks vajutus = režiim AUTO (Automaatne) [küte, jahutus või ventilaator, 24 °C ja automaatne ventilaatori kiirus]
- Kaks vajutust = režiim COOLING (Jahutus) [lülitab režiimi AUTO (Automaatne) 30 minuti pärast (kasutatakse peamiselt proovikäituseks)]
- Kolm vajutust = lülitab välja

6.3 PROOVIKÄITUS

Seadke õhukonditsioneer kaugjuhtimispuldiga või (käsijuhtimise nupust) režiimi COOLING (Jahutus) ja kontrollige sise- ja välisseadme tööolekut. Talitlustörke korral lahendage see vastavalt hooldusjuhendi peatükile „Tõrgete kõrvaldamine”.

Siseseade

- Kontrollige, kas kaugjuhtimispuldi nupud (nt ON/OFF (Sisse/Välja), MODE (Režiim), TEMPERATURE (Temperatuur), FAN SPEED (Ventilaatori kiirus) jne) töötavad korralikult.
- Kontrollige, kas õhusuunurid liiguvad korralikult.
- Kontrollige, kas ruumitemperatuuri reguleerimine töötab korralikult.
- Kontrollige, kas näidikupaneeli märgutuled töötavad korralikult.
- Kontrollige, kas käsijuhtimise nupp töötab korralikult.
- Kontrollige, kas äravool töötab korralikult.
- Kontrollige, kas töö ajal on vibratsiooni või ebatavalist müra.
- Kontrollige, kas siseseade töötab korralikult režiimis COOLING (Jahutus) või HEATING (Küte).

Välisseade

- Kontrollige, kas töö ajal on vibratsiooni või ebatavalist müra.
- Kontrollige, kas õhukonditsioneerist tulev õhuvool, müra või kondensaad häirib naabreid.
- Veenduge, et poleks külmutusagensi lekkeid.

⚠ ETTEVAATUST!

- Kui seade taaskäivitada, töötab see kompressori kaitsmiseks umbes 3-minutilise viiteajaga.

7.1 ALA KONTROLLIMINE

Enne tuleohtlike külmutusagenside sisaldavate süsteemidega töö alustamist tuleb minimeeritud süttimisohu tagamiseks läbi viia ohutuskontrollid. Külmutussüsteemi remontimisel tuleb enne töö teostamist järgida järgmisi ettevaatusabinõusid.

7.2 TÖÖPROTSEDUUR

Tööd tuleb teostada kontrollitud viisil, et minimeerida tuleohtliku gaasi või auru olemasolu ohtu töö teostamise ajal.

7.3 ÜLDINE TÖÖALA

Kõikidele hooldustöötajatele ja muudele piirkonnas töötavatele inimestele tuleb teada anda, missugust laadi tööd teostatakse. Kitsastes ruumides töötamist tuleb vältida. Töökeskkonda ümbritsev ala tuleb piirata. Veenduge, et sealed tingimused oleksid turvalised, kontrollides tuleohtliku aine olemasolu.

7.4 KÜLMUTUSAGENSI OLEMASOLU KONTROLLIMINE

Enne tööd ja töö ajal tuleb ala kontrollida sobiva külmutusagensi detektori abil, et tehnik oleks teadlik võimalikust tuleohtlikust keskkonnast. Veenduge, et kasutatav lekke tuvastusseade on sobilik kasutamiseks tuleohtlike külmutusagensitega, st sädemeid ei teki, piisavalt tihendatud või sisemiselt ohutu.

7.5 TULEKUSTUTI OLEMASOLU

Kui külmutusseadmes või sellega seotud osades on vaja teha tuletöid, peab käeulatuses olema sobiv tulekustutusseade. Hoidke laadimisala läheduses pulberkustutit või CO₂-kustutit.

7.6 SÜTTIMISALLIKAD EI TOHI OLLA

Isikud, kelle töö on seotud külmutussüsteemiga ning mille käigus puututakse kokku torudega, mis sisaldavad või on sisaldanud tuleohtlikku külmutusagensit, ei tohi süttimisallikatega ümber käia sellisel viisil, mis võib põhjustada tulekahju või plahvatuse ohtu. Kõik võimalikud süttimisallikad (sh suitsetamine) tuleb hoida seadme paigaldamise, remontimise ja utiliseerimise ning külmutusagensi eemaldamise kohast piisavalt kaugel, sest sel ajal võib tuleohtlik külmutusagens ümbritsevasse keskkonda eralduda. Enne töö teostamist tuleb seadet ümbritsev ala üle kontrollida, veendumaks, et seal pole tulekahju ega süttimise ohtu. Välja tuleb panna sildid „SUITSETAMINE KEELATUD”.

7.7 VENTILEERITUD ALA

Veenduge enne süsteemi avamist või tuletööde tegemist, et ala oleks avatud või piisavalt ventileeritud. Töö teostamise ajal peab säilima teatav ventilatsioonitase. Ventilatsioon peaks eraldunud külmutusagensi ohutult hajutama ning selle soovitatavalt väliselt atmosfääri väljutama.

7.8 KÜLMUTUSSEADME KONTROLLIMINE

Elektriliste komponentide väljavahetamisel peavad need olema kasutuskõlblikud ja õige spetsifikatsiooniga. Kogu aeg tuleb järgida tootja hooldusjuhiseid. Kahtluse korral pöörduge abi saamiseks tootja tehnikasakonna poole. Tuleohtlike külmutusagensitega seotud paigaldustööde korral tuleb kontrollida järgmist.

- Külmutusagensi kogus peab vastama ruumi suurusele, kuhu külmutusagensit sisaldavaid osi paigaldatakse.
- Ventilatsiooniseadmete ja väljalaskeavadega peab olema kõik korras ning need ei tohi olla ummistunud.
- Kaudse külmutusagensi kontuuri kasutamisel tuleb sekundaarsetes kontuurides kontrollida külmutusagensi olemasolu; seadmel olev märgistus peab olema nähtav ja loetav.
- Loetamatud märgid ja sildid tuleb parandada.
- Jahustorustik või -komponendid tuleb paigaldada sellises asendis, et need ei puutuks kokku ainetega, mis võivad külmutusagensit sisaldavaid komponente korrodeerida, välja arvatud juhul, kui komponendid on valmistatud korrosioonikindlast materjalist või on korrodeerumise eest piisavalt kaitstud.

7.9 ELEKTRISEADMETE KONTROLLIMINE

Elektriliste komponentide hooldus ja remont hõlmab algeid ohutuskontrolle ning komponentide ülevaatusi. Turvalisust ohustava rikke esinemisel ei tohi ühtegi vooluallikat vooluahelasse ühendada enne, kui rike on lahendatud. Kui riket ei saa kohe kõrvaldada, kuid tööd on vaja jätkata, tuleb leida sobiv ajutine lahendus. Sellest tuleb teavitada seadme omanikku, et kõiki osapooli oleks informeeritud.

Veenduge algsete ohutuskontrollide käigus, et

- kondensaatorid oleksid tühjaks laaditud; seda tuleb teha ohutul viisil, et vältida sädemete tekkimise võimalust;
- süsteemi laadimise või puhastamise või külmutusagensi kogumise ajal ei esineks kokkupuudet pingestatud elektriliste komponentide või elektrijuhtmestikuga;
- maandus oleks katkematu.

7.10 TIHENDATUD KOMPONENTIDE REMONT

- 10.1 Tihendatud komponentide remontimisel tuleb kõik vooluallikad enne tihendatud katete jms eemaldamist seadmest lahutada. Kui hoolduse ajal on seadme elektrivarustus hädavajalik, tuleb kõige kriitilisemas kohas paigutada püsivalt töötav lekettuvastusseade, mis hoiatab võimalikust ohtlikust olukorrast.
- 10.2 Erilist tähelepanu tuleb pöörata sellele, et elektriliste komponentidega töötamisel ei muudetaks korpust sellisel viisil, mis mõjutaks kaitsetaset. Selle hulka liigituvad juhtmete kahjustamine, liigne ühenduste arv, originaalspetsifikatsioonile mittevastavad klemmid, tihendite kahjustamine, valesti paigaldamine jne.
 - Veenduge, et seade oleks kindlalt kinnitatud.
 - Veenduge, et tihendid või tihendusmaterjalid poleks niivõrd kulunud, et need ei täida enam oma eesmärki, milleks on tuleohtliku õhu sisenemise takistamine. Asendusosad peavad vastama tootja spetsifikatsioonidele.

NB! Silikoontihendi kasutamine võib vähendada teatud tüüpi lekettuvastusseadmete tõhusust. Sisemiselt ohutuid komponente ei pea enne nendega töötamist isoleerima.

7.11 SISEMISELT OHUTUTE KOMPONENTIDE REMONT

Ärge rakendage vooluringile alalist induktiivkoormust ega mahtvuslikku koormust, kui te pole veendunud, et see ei ületa kasutatava seadme jaoks lubatud pinget ja voolutugevust. Sisemiselt ohutud komponendid on ainsat tüüpi komponendid, millega võib tuleohtliku õhu olemasolu korral töötada. Katseseade peab olema õige võimsusega. Asendage komponendid ainult tootja määratud osadega. Muude osade kasutamisel võib külmutusagensi lekke tõttu õhus süttida.

7.12 KAABLIID

Kontrollige, et kaablid poleks kulunud, korrodeerunud, liigse rõhu all, ei vibreeriks, poleks teravate servadega või et neil poleks muid kahjulikke keskkonnamõjusid. Kontrolli käigus tuleb arvesse võtta ka vananemise või pideva vibratsiooni (nt kompressorite või ventilaatorite tekitatud) mõju.

7.13 TULEOHTLIKE KÜLMUTUSAGENSITE TUVASTAMINE

Võimalikke süttimisallikaid ei tohi mingil juhul kasutada külmutusagensi lekete otsimiseks või tuvastamiseks. Halogeniidpõletit (või muud lahtise leegiga detektorit) ei tohi kasutada.

7.14 LEKETTUVASTUSE MEETODID

Järgmised lekettuvastuse meetodid on tuleohtlike külmutusagenside sisaldavate süsteemide jaoks aktsepteeritavad.

Tuleohtlike külmutusagensite tuvastamiseks tuleb kasutada elektroonilisi lekkedetektoreid, kuid nende tundlikkus ei pruugi olla piisav või need võivad vajada rekaliibreerimist. (Tuvastusseadmed tuleb kalibreerida sellises kohas, kus külmutusagensid ei leidu.) Veenduge, et detektor poleks võimalik süttimisallikas ja oleks külmutusagensi jaoks sobilik. Lekettuvastusseade seadistatakse vastavalt külmutusagensi LFL-i protsendile ja kalibreeritakse vastavalt kasutatavale külmutusagensile. Sobiv gaasiprotsent (maksimaalselt 25%) kinnitatakse. Lekettuvastusvedelikud on sobilikud kasutamiseks enamiku külmutusagensitega, kuid kloori sisaldavate puhastusvahendite kasutamist tuleks vältida, sest kloor võib külmutusagensiga reageerida ja vasktorusid korrodeerida. Lekkekahtluse korral tuleb kõik lahtised leegid eemaldada või kustutada. Kui avastatakse külmutusagensi leke, mis nõuab jootmist, tuleb kogu külmutusagensi süsteemist kokku koguda või isoleerida (sulgventiili abil) lekkest eemal asetsevasse süsteemiosasse. Süsteemi tuleb nii enne jootmist kui ka jootmise ajal puhastada hapnikuvaba lämmastikuga (OFN).

7.15 EEMALDAMINE JA TÜHJENDAMINE

Külmutusagensi kontuuri avamisel remonditööde tegemiseks või mingil muul eesmärgil tuleb toimida tavapärase meetodika järgi. Järgida tuleb ka häid tavasid, sest arvesse tuleb võtta tuleohtlikkust. Toimige järgmiselt.

- Eemaldage külmutusagens.
- Puhastage kontuur inertgaasiga.
- Tühjendage.
- Puhastage uuesti inertgaasiga;
- Avage kontuur lõikamise või jootmise teel.

Külmutusagens tuleb koguda õigesti kogumisballoonidesse. Seadme ohutuse tagamiseks tuleb süsteem hapnikuvaba lämmastikuga läbi puhuda. Võimalik, et läbi puhuda tuleb mitu korda. Selle toiminguga ei tohi kasutada suruõhku ega hapnikku.

Läbipuhumiseks tuleb süsteemi vaakum hapnikuvaba lämmastikuga katkestada ja jätkata täitmist seni, kuni saavutatakse tööõhk. Seejärel tuleb tagada ventileerimine atmosfääri ja lõpuks taastada vaakum. Seda toimingut tuleb korrata seni, kuni külmutusagensit süsteemis enam pole.

Kui viimane hapnikuvaba lämmastiku kogus on kasutatud, tuleb süsteem ventileerida õhurõhule vastavaks, et võimaldada töid teostada. See toiming on ülioluline, kui soovitakse torusid joota. Veenduge, et vaakumpumba väljalaskeava poleks süttimisallikatele suletud ning et ventilatsioon oleks olemas.

7.16 LAADIMISTOIMINGUD

Lisaks tavalistele laadimistoimingutele tuleb järgida ka järgmisi nõudeid.

- Veenduge laadimiseseadmete kasutamisel, et erinevad külmutusagensid ei saastuks. Voolikud või torud peavad olema võimalikult lühikesed, et nendes sisalduv külmutusagensi kogus oleks minimaalne.
- Ballooneid tuleb hoida püstises asendis.
- Veenduge enne külmutusagensi külmutussüsteemi laadimist, et süsteem oleks maandatud.
- Laadimise lõppedes sildistage süsteem (kui te pole seda juba teinud).
- Külmutussüsteemi ei tohi mingil juhul üle täita.
- Enne süsteemi uuesti laadimist tuleb selle rõhku testida hapnikuvaba lämmastikuga. Laadimise lõppedes, kuid enne käikulaskmist tuleb süsteemis läbi viia lekketest. Täiendav lekketest

7.17 KASUTUSEST EEMALDAMINE

Enne selle toiminguteostamist peab tehnik olema seadme ja kõigi selle detailidega väga hästi tuttav. Soovitatakse on kõik külmutusagensid ohutult kokku koguda. Enne ülesande täitmist tuleb võtta õli- ja külmutusagensiproov. Seda juhul, kui enne utiliseeritud külmutusagensi uuesti kasutamist on vaja analüüsi. Enne ülesande alustamist peab kindlasti olema olemas elektritoide.

- Tutvuge seadme ja selle tööga.
- Isoleerige süsteem elektriliselt.
- Enne toiminguteproovimist veenduge, et
 - mehaanilised käsitsemiseseadmed oleksid olemas, kui on vaja külmutusagensi balloone käsitseda;
 - kõik isikukaitsevahendid oleksid olemas ja neid kasutatakse õigesti;
 - kogumist jälgiks kogu aeg pädev isik;
 - kogumiseadmed ja -ballooneid vastaksid nõutud standarditele.
- Võimaluse korral alandage külmutusagensi süsteemi rõhku.
- Kui vaakum pole võimalik, hankige kollektor, et külmutusagensit saaks süsteemi erinevatest osadest eemaldada.
- Veenduge enne kogumise alustamist, et balloon paikneks kaalul.
- Käivitage kogumiseadme ja käitage seda vastavalt tootja juhistele.
- Ärge täitke balloone üle. (Vedeliku kogus ei tohi olla suurem kui 80%).
- Ärge ületage ballooni maksimaalset töö rõhku isegi ajutiselt.
- Kui ballooneid on õigesti täidetud ja toiming lõpule viidud, veenduge, et ballooneid ning seadmed eemaldatakse kohe objektilt ja et kõik seadme sulgventiilid oleksid suletud.
- Kokku kogutud külmutusagensi ei tohi enne puhastamist ja kontrollimist teise külmutusagensi süsteemi laadida.

7.18 SILDISTAMINE

Seadmel peab olema silt, mis annab teada, et see on kasutusest eemaldatud ja külmutusagensist tühjendatud. Silt peab olema dateeritud ja allkirjastatud. Veenduge, et seadmel oleksid sildid, mis annavad teada, et see sisaldab tuleohtlikku külmutusagensit.

7.19 KOGUMINE

- Külmutusagensi süsteemist eemaldamisel kas hoolduse või kasutusest kõrvaldamise eesmärgil on soovitatav kõik külmutusagensid ohutult eemaldada.
- Külmutusagensi teisaldamisel ballooneisse veenduge, et kasutatakse ainult sobivaid külmutusagensi kogumisballoone. Veenduge, et saadaval oleks nii palju balloone, kui on kogu külmutusagensi süsteemi mahutamiseks vaja. Kõik kasutatavad ballooneid peavad olema ettenähtud kogutud külmutusagensi jaoks ja neil peab olema vastav silt (st eriballoonid külmutusagensi kogumiseks). Ballooneid peavad olema rõhutasandusventiil ja sellega seotud sulgventiilid heas töökorras.
- Kogumisballooneid peavad enne kogumist olema tühjendatud ja võimaluse korral ka jahutatud.
- Kogumiseadme peab olema heas töökorras, selle juhised peavad olema käeulatuses ning seade peab olema sobilik tuleohtlike külmutusagensite kogumiseks. Lisaks peab olema saadaval ja heas töökorras kalibreeritud kaalude komplekt.
- Voolikutel peavad olema lekkekindlad lahutusmuhvid ja need peavad olema heas seisukorras. Enne kogumiseadme kasutamist veenduge, et see oleks rahuldavas töökorras, korralikult hooldatud ning et seonduvad elektrilised komponendid oleksid tihendatud, et vältida külmutusagensi eraldumise korral süttimist. Kahtluse korral pöörduge tootja poole.
- Kogutud külmutusagens tuleb tagastada külmutusagensi tarnijale õiges kogumisballoonis, lisada tuleb ka asjakohane jäätmekogumiseatis. Ärge segage külmutusagensite kogumiseadmetes ning eriti mitte ballooneid.
- Kompressorite või kompressorõli eemaldamisel veenduge, et need on tühjendatud sellise tasemeni, mis lubab olla kindel, et määrdeõli ei sisalda enam tuleohtlikku külmutusagensit. Tühjendada tuleb enne, kui kompressoritarnijatele tagastatakse. Tühjendamise kiirendamiseks tohib ainult kompressori korpuse jaoks kasutada elekterkütet. Kui õli on süsteemist eemaldatud, tuleb see ettevaatlikult välja viia.

7.20 SEADMETE TRANSPORT, MÄRGISTAMINE JA HOIUSTAMINE

- Tuleohtlike külmutusagensite sisaldavate seadmete transportimisel tuleb järgida transpordieeskirju
- Seadmete märgistamisel tuleb järgida kohalikke eeskirju
- Tuleohtlike külmutusagensite kasutamise seadmete utiliseerimisel tuleb järgida riiklike eeskirju
- Seadmete hoiustamine
Seadmeid tuleb hoiustada tootja juhistele kohaselt.
- Pakendatud (müümata) seadmete hoiustamine
Hoiustamisel tuleb kasutada sellist kaitse süsteemi, et pakendis oleva seadme mehaanilise kahjustuse korral ei teki külmutusagensi leket.
Seadmete maksimaalne arv, mida on lubatud koos hoiustada, määratakse kindlaks kohalike eeskirjadega.

Šis gaminys sukurtas laikantis Europos Sąjungos žemos įtampos direktyvos (2014/35/ES) ir elektromagnetinio suderinamumo direktyvos (2014/30/ES) nuostatų.



Tinkamas šio gaminio išmetimas (elektros ir elektroninės įrangos atliekos)

(Ši oro kondicionierių naudojant Europos šalyse, būtina laikytis toliau nurodytų gairių)

- Šis ženklas ant gaminio arba jo dokumentacijoje rodo, kad elektros ir elektroninės įrangos atliekų (EE) atliekų, kaip nurodyta direktyvoje 2012/19/ES) negalima maišyti su buitinėmis atliekomis. Šį įrenginį draudžiama išmesti kaip buitines atliekas. Gaminį galima išmesti toliau nurodytais būdais.
- 1. Savivaldybė nustato surinkimo sistemas, kuriose naudotojas elektronines atliekas gali išmesti nemokamai.
- 2. Perkant naują gaminį, pardavėjas nemokamai priima senąjį.
- 3. Seną, išmesti skirtą įrenginį, gamintojas priima nemokamai.
- 4. Senuose gaminiuose yra vertingų elementų, todėl gaminius galima parduoti metalo laužo supirkėjams, Atliekų išmetimas pamiškėse ir laukuose kelia pavojų jūsų sveikatai, nes pavojingos medžiagos išteka į gruntinius vandenį ir patenka į maisto grandinę.

Šiame gaminyje naudojamos fluorintosios dujos, kurių naudojimas aprašytas Kioto protokole.

Cheminiai dujų pavadinimai	R32
Visuotinio atšilimo potencialo (GWP) dujos	675

⚠ DĖMESIO

- | | |
|--|--|
| <ul style="list-style-type: none"> 1. Priklijuokite pridėtą šaltnešio etiketę netoli pildymo ir (arba) surinkimo vietos. 2. Ant šaltnešio etiketės nenuplaunamu rašalu aiškiai užrašykite naudojamo šaltnešio kiekį. 3. Neleiskite pasklisti fluorintosioms dujoms. Pasirūpinkite, kad įrenginį montuojant, atliekant jo priežiūros darbus ar išmetant fluorintųjų dujų nepatektų į atmosferą. Nustačius įrenginio dujų nuotėkį, jis turi būti sustabdytas, o įrenginys kuo greičiau suremontuotas. | <ul style="list-style-type: none"> 4. Šį gaminį atidaryti ir priežiūros darbus atlikti gali tik kvalifikuotas personalas. 5. Visi veiksmai, atliekami su šiuo gaminyje esančiomis fluorintomis dujomis, pvz., gaminio perkėlimas ar dujų papildymas, turi būti atliekami laikantis (EB) reglamento nr. 517/2014 nuostatų dėl konkrečių fluorintų šiltnamio efektą sukeliančių dujų ir visų susijusių vietos teisinių aktų. 6. Jei sistemoje įdiegta nuotėkio nustatymo funkcija, ją būtina patikrinti bent kas 12 mėnesių. 7. Patikrinus, ar įrenginyje nėra nuotėkio, rekomenduojama išsaugoti visų patikrų įrašus. |
|--|--|

Vidinis įrenginys	Išorinis įrenginys	Vardinė įtampa ir Hz
42QHP09E8S*	38QHP09E8S*	220-240V~, 50Hz
42QHP12E8S*	38QHP12E8S*	

Gamintojas pasilieka teisę keisti bet kokias gaminio specifikacijas be įspėjimo.

TURINYS

1. PASIRENGIMAS MONTUOTI	3
1.1 Atsargumo priemonės	3
1.2 Priedai	5
1.3 Montavimo vietos parinkimas	6
2. VIDINIO ĮRENGINIO MONTAVIMAS	7
2.1 Vidinio įrenginio montavimo platforma	7
2.2 Montavimo eiga	8
3. IŠORINIO ĮRENGINIO MONTAVIMAS	9
3.1 Išorinio įrenginio montavimo matmenys	9
3.2 Išorinio įrenginio vietos reikalavimai	9
3.3 Išorinio įrenginio laidų jungimas	10
3.4 Išorinio įrenginio montavimas	10
3.5 Išorinio įrenginio išleidimo vamzdžio montavimas	10
4. ŠALTNEŠIO VAMZDŽIŲ ĮRENGIMAS	11
4.1 Vamzdžio platinimas	11
4.2 Vamzdžių montavimas	11
4.3 Šaltnešio vamzdis	12
4.4 Oro išsiurbimas	12
4.5 Nuotėkio tikrinimas	12
5. LAIDAI	13
6. GALUTINIS TIKRINIMAS IR BANDOMASIS PALEIDIMAS	14
6.1 Galutinis kontrolinis sąrašas	14
6.2 Rankinis naudojimas	14
6.3 Bandomasis paleidimas	14
7. INFORMACIJA APIE PRIEŽIŪRĄ	15



Perspėjimas: Gaisro pavojus tik R32/R290 šaltnešiui

1.1 ATSARGUMO PRIEMONĖS

- Oro kondicionieriaus montavimas, paleidimas ir priežiūra gali būti pavojinga dėl sistemoje esančio slėgio, elektrinių dalių ir įrengimo vietos (stogo, pakeltų konstrukcijų ir pan.).
- Šią įrangą montuoti, paleisti ir atlikti jos priežiūros darbus turi išmokyti, kvalifikuoti montuotojai ir priežiūros specialistai.
- Montuodami įrangą, laikykitės dokumentacijoje nurodytų atsargumo priemonių, taip pat stebėkite ant įrangos priklijuotas žymas, lipdukus ir etiketes.
- Atkreipkite dėmesį į visus saugos kodus. Užsidėkite apsauginius akinius ir mūvėkite darbinės pirštines. Lituodami netoli savęs laikykite liepsną slopinantį audinį ir gesintuvą. Didelių matmenų įrangą apdorokite, gręžkite ir montuokite atsargiai.
- Atidžiai perskaitykite šias instrukcijas ir laikykitės visų įspėjimų ar atsargumo priemonių, nurodytų dokumentacijoje ir užklijuotų ant įrenginio. Laikykitės vietinių specialios įrangos montavimo taisyklių ir šalies elektros įrangos nuostatų.

⚠ ĮSPĖJIMAS

Šis simbolis rodo, kad galima susižaloti arba žūti.

- Šaltnešio dujos yra sunkesnės už orą ir pakeičia deguonį. Nutekėjus dideliu dujų kiekiui, gali sumažėti deguonies, ypač rūsyje esančiose patalpose, gali kilti pavojus uždusti, dėl to galima susižaloti arba žūti.
- Jei oro kondicionierius montuojamas mažoje patalpoje, jos matmenys turi būti tokie, kad būtų galima užtikrinti, jog nutekėjus dujoms jų koncentracija patalpoje neviršys kritinio lygio.
- Jei šaltnešio dujų nutekėtų montuojant, nedelsdami išvėdinkite patalpą. Šaltnešio dujos gali tapti toksiškos, jei jos įkails nuo šildymo įrenginio, viryklės ar kito maisto gamybos įrenginio. Įkvėpus šių dujų galima susižaloti arba netekti gyvybės.
- **Prieš atlikdami elektros darbus, atjunkite elektros tiekimą! Tinkamai prijunkite jungiamąjį laidą.** Netinkamai jį prijungę, galite sugadinti elektrines dalis.
- **Elektros jungtims naudokite specialius kabelius, o laidus tvirtai prijunkite prie sekcijas jungiančio gnybtų bloko, kad išorinė jėga negalėtų paveikti gnybto.**
- **Nepamirškite įžeminti.** Nejunkite įrenginio įžeminimo prie dujų, vandens vamzdžių, žaibolaidžio ar telefono laidų. Neatlikus įžeminimo, gali kilti rimtas smūgio pavojus, dėl kurio galima susižeisti arba žūti.
- **Saugiai išmeskite pakavimo medžiagas.** Pakavimo medžiagomis, pvz., vinimis ir kitomis metalinėmis ar medinėmis dalimis, galite įsidurti arba kitaip susižeisti. Plastikinius pakavimo krepšius išardykite ir išmeskite, kad su jais negalėtų žaisti vaikai. Su plastikiniais maišais žaidžiantiems vaikams gali kilti pavojus uždusti.
- **Nemontuokite įrenginio šalia tų vietų, kur susikoncentravęs didelis degių dujų ar garų kiekis.**
- **Naudokite tik pateiktas ar tiksliai nurodytas montavimo dalis.** Naudojant kitas dalis, įrenginys gali atsilaisvinti, pradėti tekėti vanduo, kilti elektros smūgio, gaisro ar įrangos gedimo pavojus.
- **Montuodami sistemą ar keisdami jos vietą, neleiskite į šaldymo ciklą patekti orui ar jokioms medžiagoms, išskyrus nurodytą šaltnešį (R410A).**
- **Niekada nemodifikuokite įrenginio pašalindami kokius nors saugiklius ar apeidami apsauginius blokavimo jungiklius.**
- **Elektros darbai turi būti atliekami laikantis montavimo vadovo nuostatų ir šalies bei vietos elektros laidų jungimo taisyklių.**

⚠ ĮSPĖJIMAS

- Naudokite tik tam skirtą elektros grandinę. To paties elektros lizdo niekada nenaudokite kartu su kitais įrenginiais.
- Siekiant išvengti pavojaus dėl neatidaus šiluminio jungiklio nustatymo, šis įrenginys neturi būti maitinamas per išorinį jungimo įrenginį, pvz., laikmatį, arba jungiamas prie srovės, kuri patalpoje yra nuolat įjungiamas ir išjungiamas.
- Elektros jungtims naudokite numatytus kabelius su izoliaciniu apvalkalu, tinkamu numatyta temperatūrai. Dėl reikalavimų neatitinkančių kabelių gali kilti elektros smūgio, perkaitimo ar gaisro pavojus.
- Nenaudokite reiškia atitirpinimo proceso paspartinimą arba valymą kitomis priemonėmis, nei rekomenduoja gamintojas.
- Įrenginys turi būti laikomas patalpoje, kurioje nėra nuolat keliančių pavojų užsidegimo šaltinių (pvz.: atviros liepsnos, veikiančių dujų prietaisų arba veikiančio elektrinio šildytuvo).
- Nepradurkite ir nepradeginkite.
- Atminkite, kad šaltnešis gali būti bekvapis.
- Įrenginys turi būti laikomas gerai vėdinamoje vietoje, kurios patalpos dydis atitinka nurodytą veikimui skirtą patalpos plotą.
- Naudojant modelius su R32 šaltnešiu:
Įrenginys turi būti sumontuotas, naudojamas ir laikomas patalpoje, kurios grindų plotas didesnis nei 4 m².
Įrenginio negalima montuoti nevėdinamoje vietoje, jei jos plotas mažesnis nei 4 m².
- Naudojant modelius su R290 šaltnešiu, būtinas minimalus patalpos dydis:
<= 9 000 Btu/h vienetų: 13 m²
> 9 000 Btu/h ir <= 12 000 Btu/h vienetų: 17 m²
> 12 000 Btu/h ir <= 18 000 Btu/h vienetų: 26 m²
> 18 000 Btu/h ir <= 24 000 Btu/h vienetų: 35 m²

⚠ DĖMESIO

Šis simbolis rodo galimą nuosavybės sugadinimą ar rimtas pasekmes.

- **Elkitės atsargiai su aštriais briaunais turinčiomis dalimis, kad nesusižalotumėte.**
- **Nemontuokite vidinio ar išorinio įrenginio ten, kur nustatytos ypatingos aplinkos sąlygos.**
- **Nemontuokite įrenginio ten, kur įrenginio skleidžiamas triukšmo lygis gali padidėti arba triukšmas ir išleidžiamas oras gali trukdyti kaimynams.**
- **Drenažo ir vamzdžių jungimo darbus atlikite saugiai pagal montavimo vadovo nuostatas.** Dėl netinkamai sujungtų drenažo vamzdžių gali pradėti tekėti vanduo ir būti sugadinta nuosavybė.
- **Nemontuokite oro kondicionieriaus toliau nurodytose vietose.**
 - Kur yra mineralinės alyvos ar arseno rūgšties.
 - Kur yra išdinančių dujų (pvz., sieros rūgšties dujų), gali susikaupti degių dujų (pvz., skiediklio) arba naudojamos lakios degios medžiagos.
 - Kur įranga generuoja elektromagnetinius laukus arba aukšto dažnio harmoniką.
- Įrenginiai turi būti laikomi taip, kad iš aplinkos nepatirtų mechaninių pažeidimų.
- Visi asmenys, susiję su šaltnešio sistemos priežiūra ar jos remontu, privalo turėti galiojantį pramonės šakos akredituotos vertinimo institucijos išduotą sertifikatą, patvirtinantį jų kompetenciją saugiai naudoti šaltnešius, atsižvelgiant į pramonės šakoje pripažintus įvertinimo reikalavimus.

1. PASIRENGIMAS MONTUOTI

1.2 PRIEDAI

Kartu su įrenginiu pateikiami toliau nurodyti priedai. Tipas ir kiekiai gali skirtis atsižvelgiant į specifikacijas.

Priedo pavadinimas	Kiekis (vnt.)	Forma	Priedo pavadinimas	Kiekis (vnt.)	Forma
Rankinis	3		Nuotolinio valdymo pultas	1	
Kondensato išleidimo antgalis	1		Baterija	2	
Tarpiklis	1		Nuotolinio valdymo pulto laikiklis	1	
Montavimo platforma	1		B varžtas	2	
Inkaras	5		Mažas filtras	1	
A varžtas	5		Magnetinis žiedas (kai kurie įrenginiai)	N*	

* atsižvelgiant į faktinį kiekį

1.3 MONTAVIMO VIETOS PARINKIMAS

Vidinis įrenginys

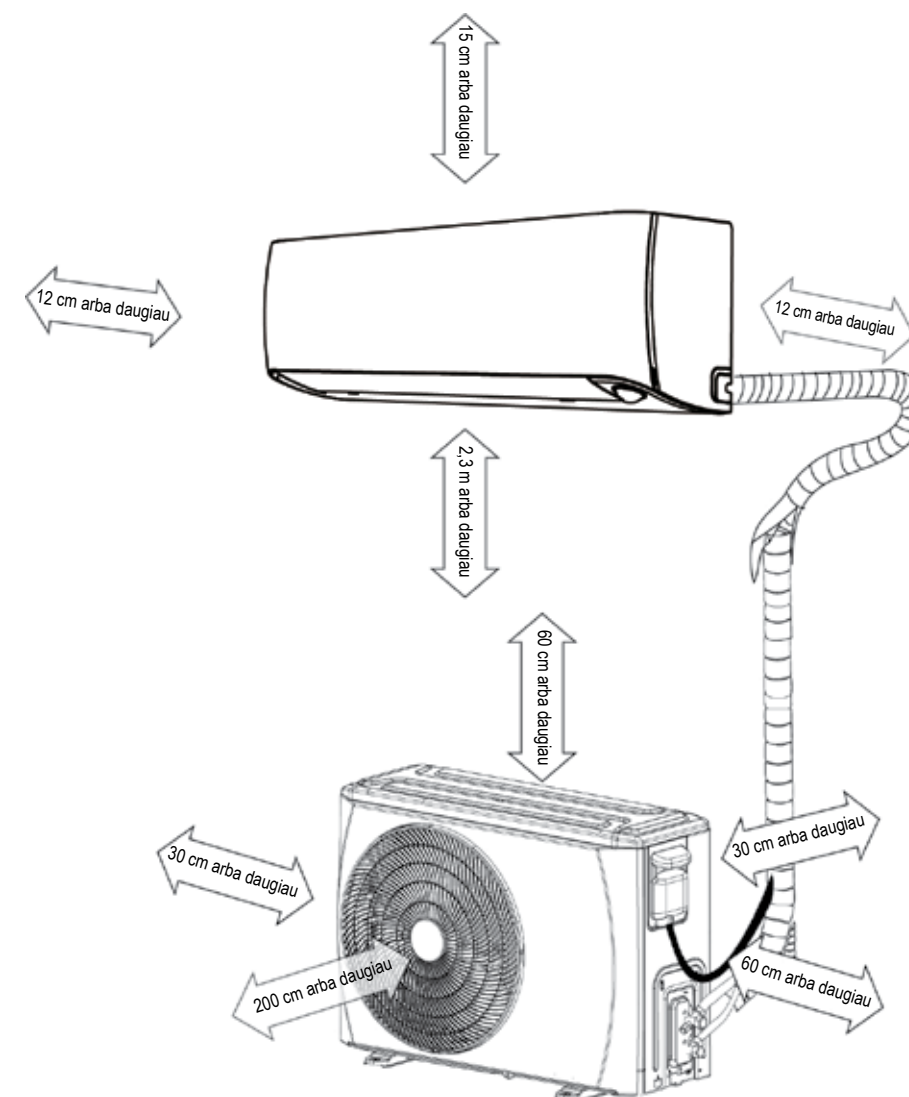
- Vieta turi išlaikyti vidinio įrenginio svorį.
- Nemontuokite vidinių įrenginių šalia tiesioginio šilumos šaltinio, pvz., tiesioginės saulės spindulių ar šildymo įrenginio.
- Aplink įrenginį turi būti pakankamai erdvės, kaip parodyta tolesniame paveikslėlyje.
- Judančios įrenginio dalys turi būti montuojamos ne žemesniame nei 2,3 m aukštyje nuo grindų.

Išorinis įrenginys

- Vieta turi būti patogi montuoti ir apsaugota nuo stipraus vėjo. Jei įrenginys montuojamas vėjuotoje vietoje, rekomenduojama įrengti priedangą nuo vėjo.
- Vieta turi išlaikyti išorinio įrenginio svorį, toje vietoje įrenginys turi būti montuojamas horizontaliai.
- Aplink įrenginį turi būti pakankamai erdvės, kaip parodyta tolesniame paveikslėlyje.

Nemontuokite vidinio ar išorinio įrenginio ten, kur nustatytos ypatingos aplinkos sąlygos. Įsitikinkite, kad užtenka vietos įrenginiui montuoti ir prižiūrėti.

1. PASIRENGIMAS MONTUOTI



Pastaba: nuo įrenginio iki sienos, lubų, tvoros ar kitų daiktų turi būti tiek erdvės, kiek nurodyta rodyklėmis.

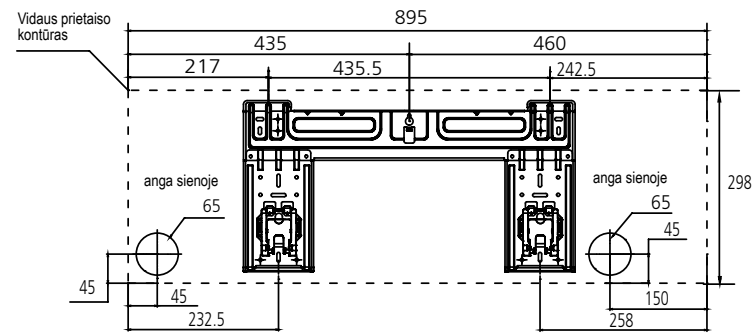
Vamzdžius galima jungti gale, kairėje, kairėje galinėje ir dešinėje pusėje.

Nenaudojamą kondensato išleidimo angą užkimškite pateiktu guminiu kamščiu.

Išpjaukite išstumiamą skydelį pagal vamzdžio dydį.

išstumiamas skydelis

2.1 VIDINIO ĮRENGINIO MONTAVIMO PLATFORMA



Vienetai: mm

Pastaba: kai dujų vamzdžio jungiamasis vamzdis yra Ø 16 mm (5/8 col.) ar platesnis, vamzdžio anga turi būti 90 mm (3,54col.).

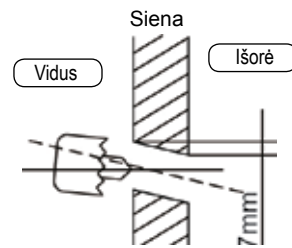
Montavimo platformos įrengimas

Pritvirtinkite montavimo platformą horizontaliai ir prisukite penkiais ar daugiau A tipo varžtais.



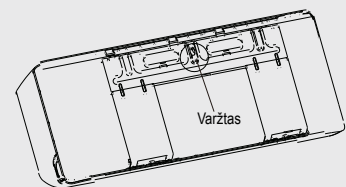
Angos sienoje išgręžimas

Sienoje išgręžkite 65 arba 90 mm skersmens (atsižvelgdami į modelius) angą, kuri būtų šiek tiek pakreipta žemyn išorės link.



Pastaba

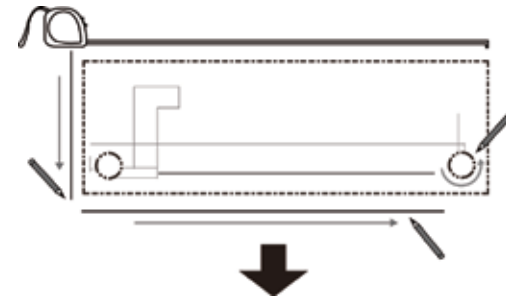
Kad būtų patogiau, siunčiant montavimo platforma prisukama varžtu. Prieš montuodami varžtą atsukite. (žr. pav.)



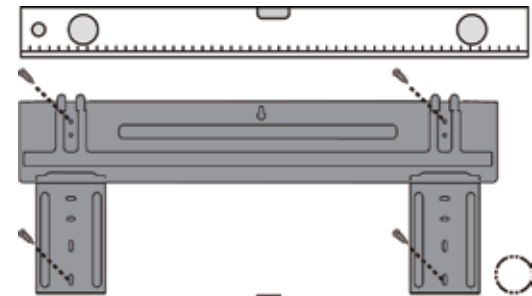
Montavimo plokštė atrodys kaip viena iš pavaizduotųjų paveikslėlyje atsižvelgiant į įrenginio dydį. Fiksavimo inkarų skylės turi būti 5 mm.

2.2 MONTAVIMO EIGA

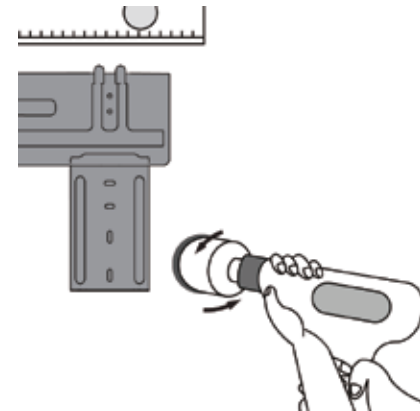
1 veiksmas: nuspręskite, kur bus anga sienoje



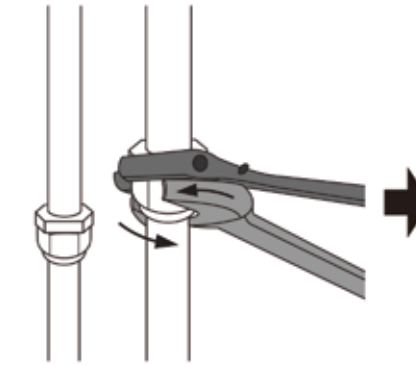
2 veiksmas: pritvirtinkite montavimo platformą



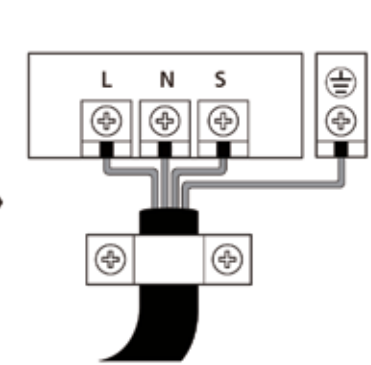
3 veiksmas: išgręžkite angą sienoje



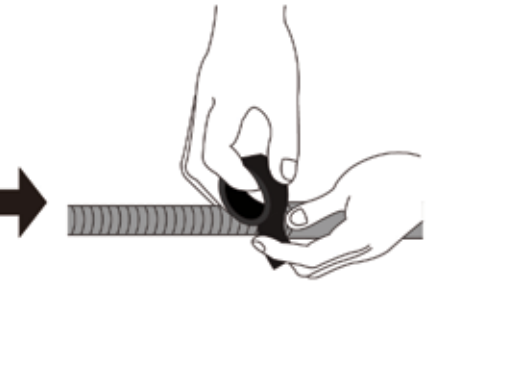
4 veiksmas: prijunkite vamzdžius



5 veiksmas: prijunkite laidus



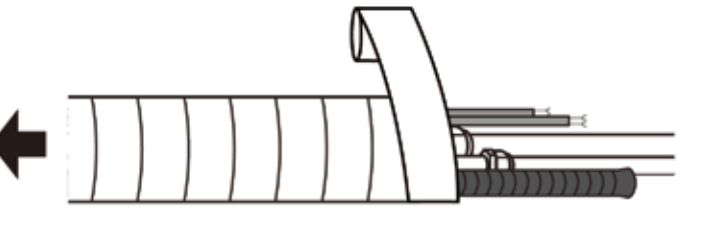
6 veiksmas: paruoškite išleidimo žarną



8 veiksmas: pakabinkite vidinį įrenginį

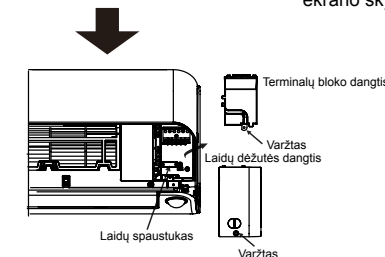
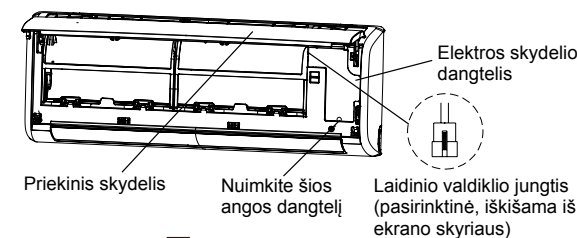


7 veiksmas: apvyniokite vamzdžius ir kabelį



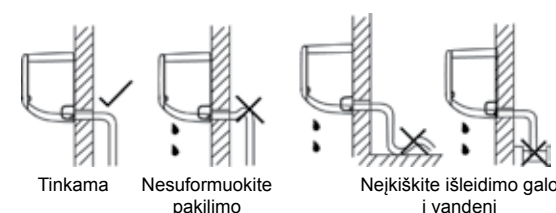
Vidinio įrenginio prijungimas

1. Pakelkite vidinio įrenginio priekinį skydelį.
2. Atsuktuvu per angą atidarykite vidinio įrenginio elektros skydelio dangtelį, ranka nuimkite gnybtų bloko dangtelį ir atlaisvinę varžtus nuimkite laidų spaustuką.
3. Laidus iš įrenginio galinės dalies prijunkite prie gnybtų bloko.



Kondensato išleidimas

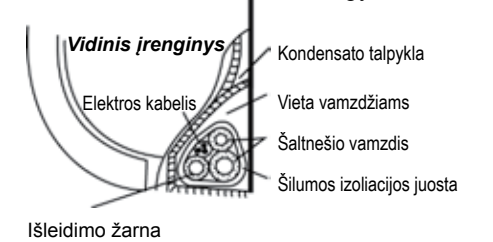
Išleidimo vamzdis negali būti prispaustas, turi būti montuojamas su nuolydžiu ir izoliuotas iki pat išorinės sienos.



Vamzdžio apvyniojimas

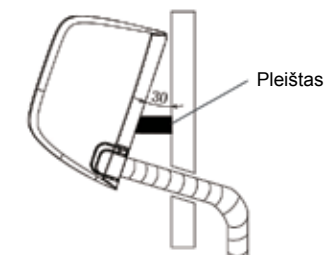
Kaip tinkamai sudėti šaltnešio vamzdį, elektros kabelį ir išleidimo žarną, pavaizduota toliau esančiame paveikslėlyje:

- Išleidimo žarną tieskite po šaltnešio vamzdžiu.
- Išleidimo žarna negali būti užkelta ar surangyta.



Vidinio įrenginio pakabinimas

1. Prakiškite šaltnešio vamzdžius per sienos angą.
2. Pakabinkite vidinį įrenginį ant viršutinio montavimo platformos kablo, tada pastumkite apatinę vidinio įrenginio dalį į viršų ir pakabinkite ant apatinio kablo.
3. Pajudinkite vidinį įrenginį į šalis ir aukštyn žemyn ir įsitinkinkite, kad jis tvirtai kabo.



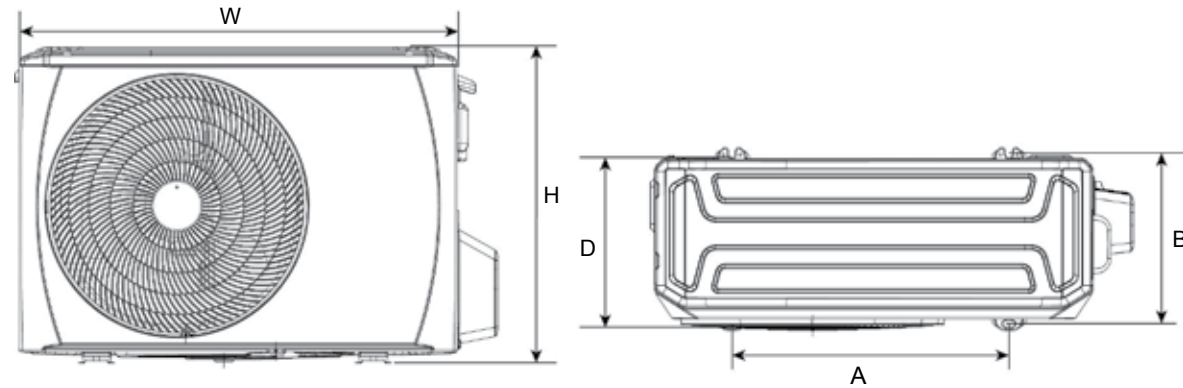
⚠ DĖMESIO

- Jungiamojo vamzdžio jungties dalys turi būti patalpos išorėje.

3. IŠORINIO ĮRENGINIO MONTAVIMAS

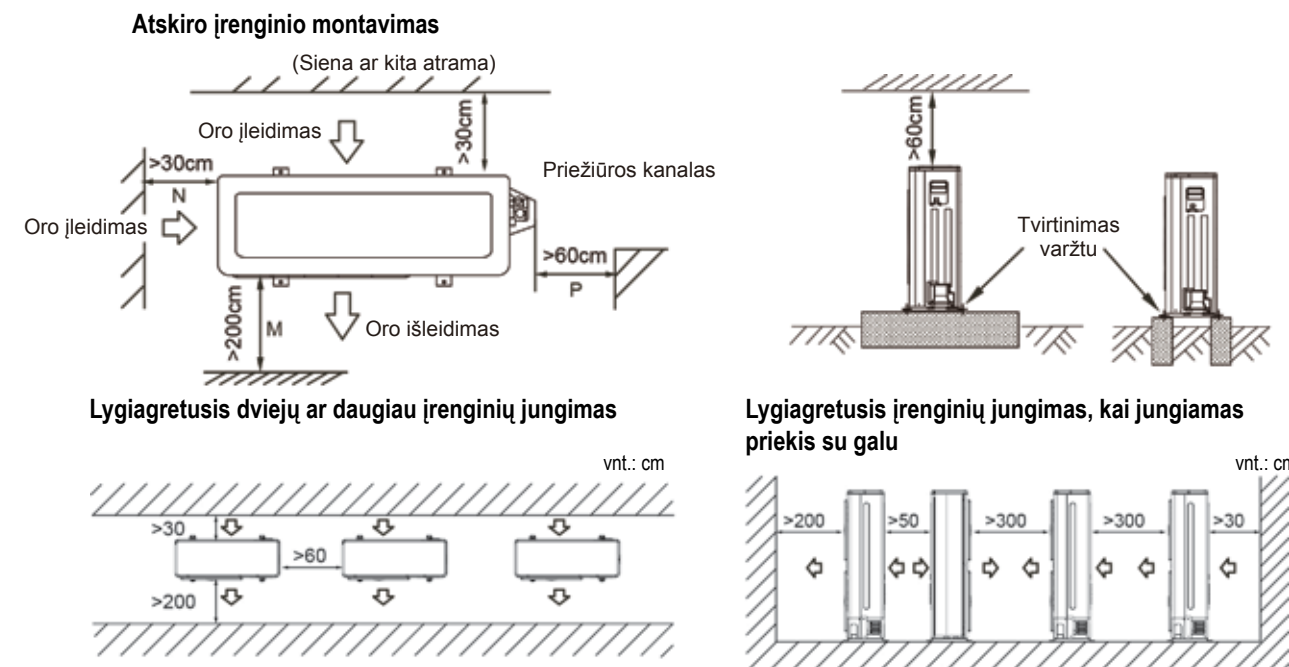
3.1 IŠORINIO ĮRENGINIO MONTAVIMO MATMENYS

Montavimo matmenys gali skirtis atsižvelgiant į skirtingus įrenginių modelius. Fiksuojamojo varžto galvutės diametras negali viršyti 12 mm.



Išorinio įrenginio matmenys (mm)				Montavimo matmenys (mm)	
Išorinis įrenginys	W	H	D	A	B
38QHP09E8S 38QHP12E8S	800	554	333	515	340

3.2 IŠORINIO ĮRENGINIO ERDVĖS REIKALAVIMAI



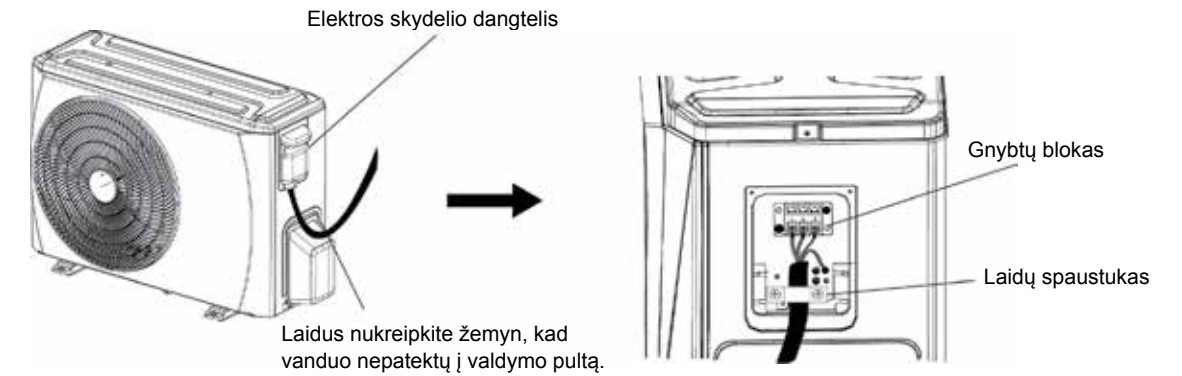
⚠ DĖMESIO

- Regionuose, kuriems būdinga sniego danga ir žema temperatūra, nemontuokite įrenginio ten, kur išorinį įrenginį gali apsnigti. Jei laukiama stipraus sniego, įrenginį reikia apsaugoti nuo sniego kaupimosi ir (arba) oro įsiurbimo angos blokavimo: reikia pastatyti į komplektą neįeinantį ledo arba sniego stovą ir (arba) priedangą nuo vėjo.

3. IŠORINIO ĮRENGINIO MONTAVIMAS

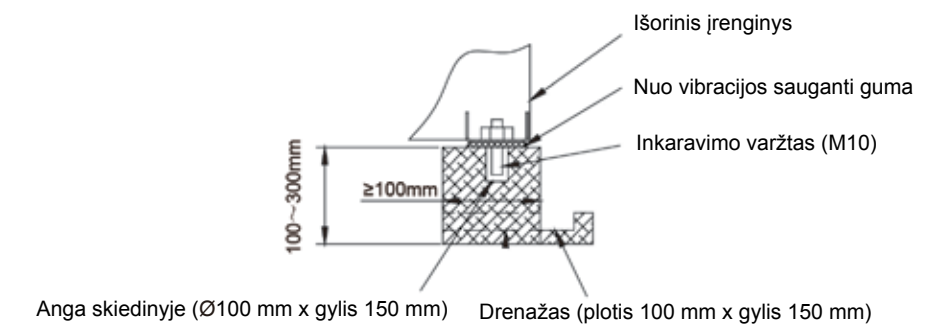
3.3 IŠORINIO ĮRENGINIO LAIDŲ JUNGIMAS

- Nuimkite elektros skydelio dangtelį ir atlaisvinę varžtus nuimkite laidų spaustuką.
- Prijunkite laidus prie išorinio įrenginio gnybtų bloko ta pačia tvarka, kaip tai darėte vidiniame įrenginyje.



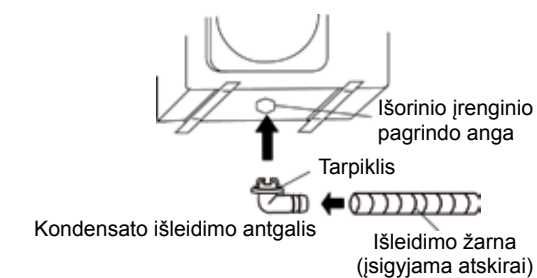
3.4 IŠORINIO ĮRENGINIO MONTAVIMAS

- Prieš montuodami patikrinkite pagrindo tvirtumą ir lygumą, kad vėliau įrenginys neskleistų neįprastų garsų.
- Tvirtai pritvirtinkite pagrindą inkaravimo varžtais (M10), kad jis nenukristų.
- Įrenkite pamatą ir nuo vibracijos saugančias gumas, kurios tiesiogiai prilaikys fiksavimo atramos apatinį paviršių. Atrama liečiasi prie apatinės išorinio įrenginio plokštės.



3.5 IŠORINIO ĮRENGINIO IŠLEIDIMO VAMZDŽIO MONTAVIMAS

- Prie kondensato išleidimo antgalio prijunkite ištempiamą išleidimo žarną.
- Prie kondensato išleidimo antgalio pritvirtinkite tarpiklį.
- Įstatykite kondensato išleidimo antgalį į išorinio įrenginio pagrindo angą ir pasukite 90 laipsnių kampą, kad jie tvirtai susijungtų.



4. ŠALTNEŠIO VAMZDŽIŲ ĮRENGIMAS

⚠ DĖMESIO

- Patikrinkite, ar aukščių skirtumas tarp vidinio ir išorinio įrenginių bei bendras šaltnešio vamzdžio ilgis atitinka sistemos reikalavimus.
- Šaltnešio vamzdis jungiamas sumontavus vidinį ir išorinį įrenginį. Pirmiausia vamzdis jungiamas prie vidinio įrenginio, tada – prie išorinio.
- Montuodami vamzdžio galus visuomet laikykite uždarytus dangteliais arba uždengę juosta ir NENUIMKITE, kol būsite pasiruošę prijungti.
- Nepamirškite izoliuoti instaliacinių vamzdžių per visą ilgį iki pat jungties su vidiniu įrenginiu. Neizoliuoti vamzdžiai gali kaupti kondensatą arba nudeginti palietus.
- Jei išorinis įrenginys yra viršuje ir lygių skirtumas yra daugiau nei 10 m, rekomenduojama dujų vamzdyje kas 5–8 m įrengti alyvos alkūnę. Alyvos alkūnės spindulys turi būti didesnis nei 10 cm.

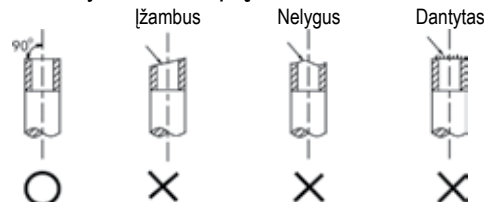
4.1 VAMZDŽIŲ PLATINIMAS

PASTABA

- Vamzdžių platinimui reikalingas vamzdžių pjoviklis, plėstuvas, vamzdžių plėstuvas ir vamzdžio laikiklis.
- R32 šaltnešių modeliuose vamzdžio jungiamieji taškai turi būti už patalpos ribų.

4.1.1 Pjovikliu atpjaukite reikiamo ilgio vamzdį.

Nepamirškite, kad pjovimo kampas su vamzdžiu turi sudaryti 90° kampą.

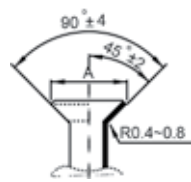


4.1.2 Plėstuvu pašalinkite nelygumus laikydami

pv. paviršių nukreiptą žemyn, kad skeveldros nepatektų į vamzdį.

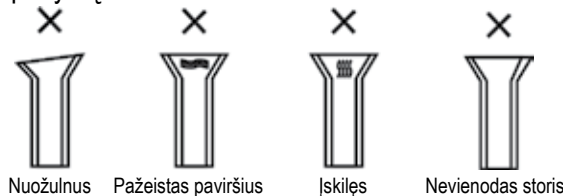
4.1.3 Vamzdžio plėstuvais praplėskite vamzdį, kaip parodyta toliau.

Išorinis skersmuo	A (mm)	
	Maks.	Min.
Ø 6,35 mm	8,7	8,3
Ø 9,52 mm	12,4	12,0
Ø 12,7 mm	15,8	15,4
Ø 15,88 mm	19,0	18,6
Ø 19,05 mm	23,3	22,9



4.1.4 Patikrinkite, ar vamzdis tinkamai praplėstas.

Žr. toliau pateiktą netinkamai praplėstų vamzdžių pavyzdį.

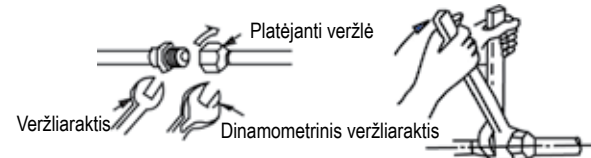


⚠ DĖMESIO

- Jei reikia lituoti, tam naudokite azoto dujas.
- Dėl netinkamos užveržimo jėgos galite sugadinti vamzdžio praplėtimą arba gali imti tekėti dujos.

4.2 VAMZDŽIŲ MONTAVIMAS

4.2.1 Sulygiuokite centrą, kad galėtumėte užveržti platėjančią veržlę, ir baikite jungimą dviem veržliaraktiais.



Vamzdžio dydis	Užveržimo jėga
Ø 6,35 mm	18–20 N.m
Ø 9,52 mm	25–26 N.m
Ø 12,7 mm	35–36 N.m
Ø 15,88 mm	45–47 N.m
Ø 19,05 mm	65–67 N.m

4.2.2 Pasirinkite tinkamą šaltnešio vamzdžio izoliacijos medžiagą. (Mažiausiai 10 mm, šilumos izoliavimo putos C)

- Dujų ir skysto vamzdžiams naudokite skirtingas šilumos izoliavimo medžiagas.
- Anksčiau nurodytas storis yra standartinis ir taikomas, kai vidaus temperatūra yra 27 °C, o drėgmė – 80 %. Jei įrenginys montuojamas nepalankiomis sąlygomis, pvz., netoli vonios, virtuvės ar kitos panašios vietos, naudokite storesnę izoliacijos sluoksnį.
- Izoliavimo medžiagos atsparumas karščiui turi siekti daugiau nei 120 °C.
- Izoliavimo medžiagai jungti naudokite kljus, kad į vidų nepatektų drėgmės.
- Užtaisykite visus įmanomus izoliavimo medžiagos įskilimus, ypač sulenktos dalies ar vamzdžio laikiklio.

4. ŠALTNEŠIO VAMZDŽIŲ ĮRENGIMAS

4.3 ŠALTNEŠIO VAMZDIS

Pastaba: šaltnešį reikia įkrauti iš techninės priežiūros prievado, esančio lauko įrenginio žemo slėgio vožtuve.

	Minimalus ilgis siekiant sumažinti neįprastą vibraciją ir triukšmą	Vamzdžio ilgis, kai papildymo nereikia	Skysto papildymas kiekvienam papildomam vamzdžio metrui	
			Skysto vamzdis: Ø 6,35 mm	Skysto vamzdis: Ø 9,52 mm
R32*	3 m	5 m	12 g	24 g

* Naudokite R32 sistemai skirtus įrankius.

PASTABA

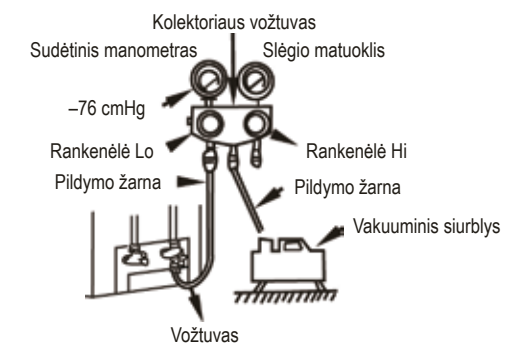
- Padidėjęs vamzdžio ilgis turi įtakos įrenginio galiui ir energijos efektyvumui.
- Vardinis efektyvumas išbandytas su 5 m ilgio vamzdžiu.
- Jei vamzdis yra ilgesnis nei 5 m, į vamzdį reikia įpilti papildomo šaltnešio.
- Maksimalus rekomenduojamas vamzdžio ilgis nurodytas toliau.

Modeliai	R32 inverterinis	
	Maks. vamzdžio ilgis (m)	Maks. aukščio skirtumas (m)
9K/12K	25	10

* Naudokite R32 sistemai skirtus įrankius.

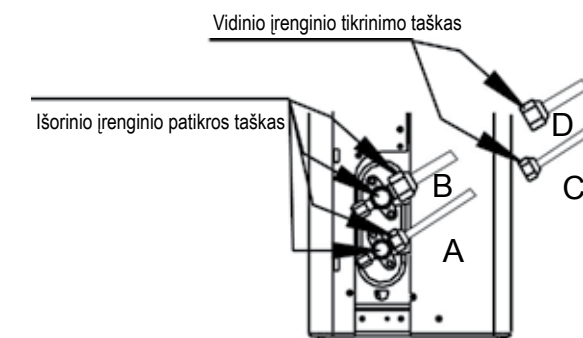
4.4 ORO IŠSIURBIMAS

- Prie kolektoriaus prijungtą pildymo žarną sujunkite su priežiūros prievadu, esančiu ant dujų vamzdžio vožtuvo.
- Pildymo žarną prijunkite prie vakuuminio siurblio prievado.
- Iki galo atidarykite kolektoriaus rankenėlę Lo.
- Leiskite vakuuminiam siurbliui veikti, kad išsiurbtumėte orą iš sistemos iki 76 cmHg.
- Uždarykite kolektoriaus rankenėlę Lo.
- Iki galo atidarykite vožtuvo rankenėlę.
- Atjunkite pildymo žarną nuo priežiūros prievado.
- Tvirtai uždarykite vožtuvo dangtelius.



4.5 NUOTĖKIO TIKRINIMAS

Baigę jungti vamzdžius, nepamirškite patikrinti kiekvieno šaltnešio vamzdžio sujungimo ir užpylę muilino vandens ant vamzdžių arba naudodami HFC šaltnešiams skirtą nuotėkio detektorių įsitikinkite, kad nėra dujų nuotėkio. Žr. toliau esantį paveikslėlį.



A: Žemo slėgio stabdymo vožtuvas B: Aukšto slėgio stabdymo vožtuvas
C ir D: Vidinio įrenginio platėjančios veržlės

⚠ DĖMESIO

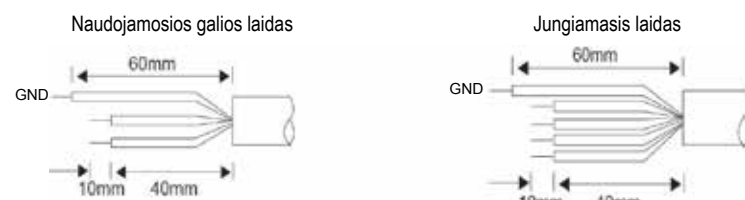
- Visas elektrines jungtis turi įrengti kvalifikuotas montuotojas, o laidai turi būti jungiami pagal laidų schema.
- Prieš jungiant bet kokias elektrines jungtis, būtina įžeminti.
- Prieš atlikdami bet kokius laidų jungimo darbus, atjunkite visus elektros šaltinius ir neįjunkite jų, kol baigsite tikrinti visas laidų jungtis.
- Sistemoje turi būti įrengtas pagrindinis maitinimo jungiklis ir grandinės pertraukiklis arba saugiklis, kurio srovė turi būti 1,5 karto didesnė nei maksimali srovė grandinėje.
- Šiam įrenginiui turi būti naudojama atskira tinklo šaka ir atskiras elektros lizdas.
- Laido skerspjūvio plotas priklauso nuo vardinės srovės ir šalies bei vietinių elektros laidų jungimo taisyklių. Laikykitės vietinių specialios įrangos montavimo taisyklių ir šalies elektros įrangos nuostatų.
- Jei pažeistas maitinimo laikas, gamintojas, priežiūros specialistas ar panašios kvalifikacijos asmuo privalo jį pakeisti, kad būtų išvengta pavojaus.
- Įrenginys turi būti prijungtas prie elektros tinklo per grandinės pertraukiklį arba jungiklį, kuriame tarpas tarp kontaktų yra mažiausiai 3 mm. Rekomenduojama įrengti liekamosios srovės įtaisą, kurio vardinė liekamoji srovė neviršytų 30 mA.
- Šio įrenginio įžeminimo jungtis skirta tik šiai funkcijai.

■ Vardinė kiekvieno modelio srovė

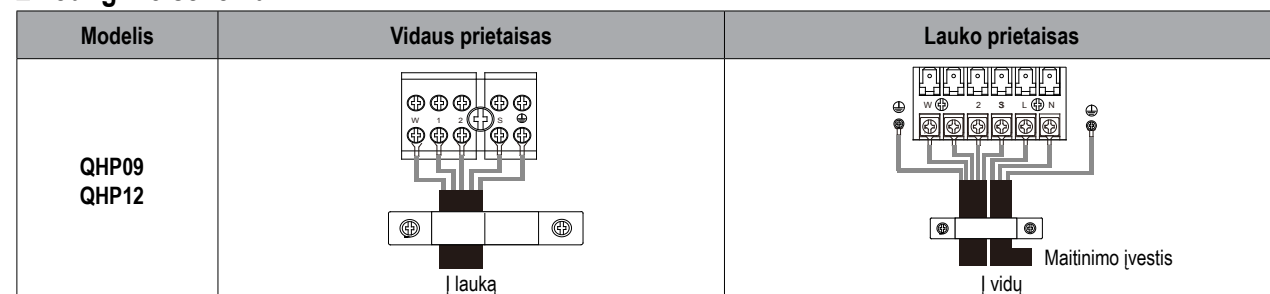
Modelis	Vardinė srovė (A)	Lydžio saugiklio kategorija (A)	Naudojamosios galios laidas (min. skerspjūvio plotas)	Jungiamasis kabelis (min. skerspjūvio plotas)
38QHP09E8S	10,0	16	3*1,5 mm ²	5*1,5 mm ²
38QHP12E8S	13,0	20	3*1,5 mm ²	5*1,5 mm ²

PASTABA

1. Visų maitinimo laidų dydžiai turi atitikti šalies ir vietines elektros įrangos taisykles. Laikykitės vietinių specialios įrangos montavimo taisyklių ir šalies elektros įrangos nuostatų.
2. Išorinio įrenginio maitinimo laido ir jungiamojo kabelio tipas turi būti H07RN-F.
3. Įrenginio vardinė srovė nurodyta pavadinimo etiketėje.
4. Lauko įrenginio saugiklių specifikacija yra T20 A/250 VAC (taikoma tik įrenginiams, pritaikytiems R32 šaltnešiu) Pastaba: Saugiklis yra pagamintas iš keramikos.



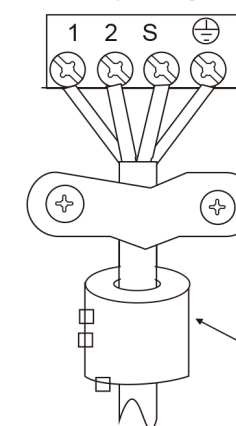
■ Jungimo schema



■ Magnetinio žiedo montavimas

Pastaba: gnybtų blokas gali skirtis, atsižvelgiant į modelį.

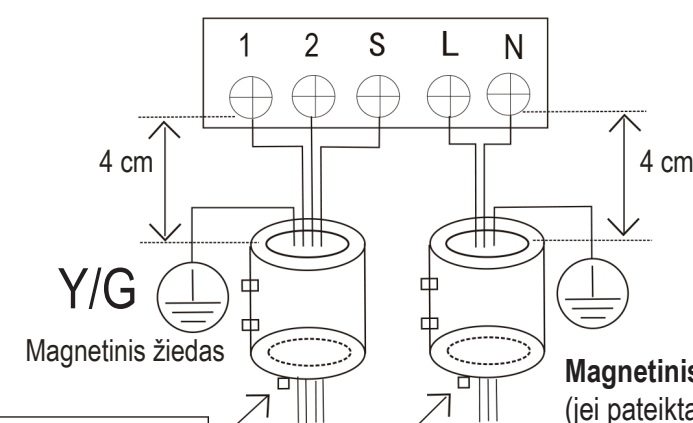
Vidinis įrenginys



Magnetinis žiedas

(jei pateiktas ir supakuotas kartu su priedais)
Prakiškite dirželį per magnetinio žiedo angą, kad pritvirtintumėte jį prie kabelio

Išorinis įrenginys



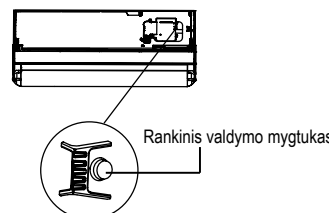
Prakiškite dirželį per magnetinio žiedo angą, kad pritvirtintumėte jį prie kabelio

Magnetinis žiedas (jei pateiktas ir supakuotas kartu su priedais)

6.1 GALUTINIS KONTROLINIS SĄRAŠAS

Norėdami užbaigti montavimą, prieš bandomąjį paleidimą atlikite toliau išvardytas patikras.

- Patikrinkite tiek vidinio, tiek išorinio įrenginio montavimo vietos tvirtumą. Patikrinkite, ar niekas netrukdo įsiurbti ir ištraukti oro.
- Patikrinkite šaltnešio vamzdžio jungčių tvirtumą ir ar nėra nuotėkio.
- Patikrinkite, ar tinkamai sujungtos elektros laidų jungtys ir ar įrenginys įžemintas.
- Patikrinkite bendrą vamzdžių ilgį ir užsirašykite papildomai įpildo šaltnešio kiekį.
- Patikrinkite, ar elektros tinklas atitinka oro kondicionieriaus vardinę įtampą.
- Patikrinkite vamzdžio izoliaciją.
- Kondensato išleidimas.



6.2 RANKINIS NAUDOJIMAS

Rankinį naudojimą galima įjungti paspaudus rankinio naudojimo mygtuką.

Norėdami pakeisti režimus, kelis kartus paspauskite rankinio naudojimo mygtuką toliau nurodyta tvarka.

- Vieną kartą = AUTOMATINIS režimas [šildymas, vėdinimas arba ventiliatorius, 24 °C ir automatinis ventiliatoriaus greitis].
- Du kartus = VĖSINIMO režimas [perjungama į AUTOMATINĮ režimą po 30 minučių (dažniausiai naudojama bandomojo paleidimo metu)].
- Tris kartus = IŠJUNGIAMA.

6.3 BANDOMASIS PALEIDIMAS

Naudodami nuotolinio valdymo pultą (arba rankinio naudojimo mygtuką) nustatykite oro kondicionieriaus VĖSINIMO režimą ir patikrinkite, kaip veikia vidinis ir išorinis įrenginiai. Įvykus gedimui, problemą spręskite pagal priežiūros vadovo skyriaus „Trikčių šalinimas“ gaires.

Vidinis įrenginys

- Patikrinkite, ar tinkamai veikia nuotolinio valdymo pulto mygtukai (pvz., ĮJUNGIMAS / IŠJUNGIMAS, REŽIMAS, TEMPERATŪRA, VENTILIATORIAUS GREITIS ir kt.).
- Patikrinkite, ar tinkamai veikia žaliuzės.
- Patikrinkite, ar tinkamai sureguliuota patalpos temperatūra.
- Patikrinkite, ar tinkamai veikia indikatorius lemputės ekrano skydelyje.
- Patikrinkite, ar tinkamai veikia rankinio naudojimo mygtukas.
- Patikrinkite, ar tinkamai veikia kondensato išleidimas.
- Patikrinkite, ar veikimo metu nėra vibravimo ir neįprasto triukšmo.
- Patikrinkite, ar įrenginys tinkamai veikia VĖSINIMO ir ŠILDYMO režimu.

Išorinis įrenginys

- Patikrinkite, ar veikimo metu nėra vibravimo ir neįprasto triukšmo.
- Patikrinkite, ar oro kondicionieriaus keliamas oro srautas, triukšmas ir generuojamas kondensatas netrukdo jūsų kaimynams.
- Patikrinkite, ar nėra šaltnešio nuotėkio.

⚠ DĖMESIO

- Įrenginį paleidus iš naujo, dėl saugumo kompresorius įsijungs apytiksliai po 3 minučių.

7.1 VIETOS PATIKROS

Prieš pradėdami dirbti su degių šaltnešių turinčiomis sistemomis, būtina atlikti saugos patikras, norint užtikrinti, kad būtų kuo labiau sumažintas užsidegimo pavojus. Kai aušinimo sistema taisoma, prieš pradėdami darbus reikia imtis toliau nurodytų atsargumo priemonių.

7.2 DARBO PROCEDŪRA

Darbai turi būti atliekami taikant kontroliuojamas procedūras, kad atliekant darbus būtų sumažintas degių dujų arba garų atsiradimo pavojus.

7.3 BENDROJI DARBO VIETA

Visiems techninės priežiūros darbuotojams ir kitiems vietoje dirbantiems asmenims turi būti pateikti nurodymai dėl atliekamų darbų pobūdžio. Reikia vengti dirbti uždaroje vietoje. Aplink darbo vietą esanti sritis turi būti atskirta. Pasirūpinkite, kad užtikrinat degių medžiagų kontrolę šioje srityje būtų sukurtos saugios darbo sąlygos.

7.4 PATIKRINIMAS, AR YRA ŠALTNEŠIO

Prieš pradėdami darbus ir juos atliekant, sritį reikia patikrinti atitinkamu šaltnešio detektoriumi, kad techninis specialistas žinotų apie galimai degią aplinką. Įsitinkite, kad naudojama nuotėkio aptikimo įranga tinkama naudoti su degiais šaltnešiais, t. y., be kibirkščiavimo, atitinkamai sandarinta arba yra iš esmės saugi.

7.5 GESINTUVO BUVIMAS

Jeigu su aušinimo įranga ar susijusiomis dalimis ketinama atlikti karštį sukeliančius darbus, turi būti greitai pasiekama atitinkama ugnies gesinimo įranga. Šalia pildymo vietos reikia laikyti miltelinį arba CO₂ gesintuvą.

7.6. UŽDEGIMO ŠALTINIŲ NEBUVIMAS

Nė vienas asmuo, atliekantis su aušinimo sistema susijusius darbus, apimančius darbus su vamzdžiais, kuriuose yra arba buvo degaus šaltnešio, jokių uždegimo šaltinių neturi naudoti tokiu būdu, kad dėl to galėtų kilti gaisro ar sprogimo pavojus. Visi galimi uždegimo šaltiniai, įskaitant rūkomas cigaretes, turi būti pakankamai toli nuo montavimo, taisymo, šalinimo ir išmetimo darbų, kurių metu į aplinką gali patekti degus šaltnešis, vietos. Prieš pradėdami darbus reikia apžiūrėti sritį aplink įrangą ir įsitikinti, kad nėra jokių uždegimo šaltinių ir užsidegimo pavojus. Turi būti matomi ženklai „RŪKYTI DRAUDŽIAMA“.

7.7 VĖDINAMA PATALPA

Prieš ardydami sistemą ar atlikdami karštį sukeliančius darbus, įsitinkite, kad sritis yra atvira arba tinkamai vėdinama. Visą darbų atlikimo laikotarpį turi būti išlaikomas tinkamas vėdinimas. Vėdinant turi būti saugiai išsklaidomas į aplinką patekęs šaltnešis, bet geriausia, kad jis būtų pašalintas į išorės orą.

7.8 AUŠINIMO ĮRANGOS PATIKROS

Keičiant elektros dalis, jos turi būti tinkamos pagal paskirtį ir atitikti tinkamas specifikacijas. Visada reikia laikyti gamintojo eksploatacijos ir techninės priežiūros rekomendacijų. Jei kyla abejonių, reikia kreiptis pagalbos į gamintojo techninį skyrį. Turi būti atliktos šios įrenginių, kuriuose naudojami degūs šaltnešiai, patikros:

- ar papildymo kiekis atitinka patalpos, kurioje montuojamos šaltnešio turinčios dalys, dydį;
- ar tinkamai veikia ventilacijos įranga ir angos, ar jos neužstotos;
- jei naudojama netiesioginė aušinimo grandinė, reikia patikrinti, ar antrinėse grandinėse yra šaltnešio; ar ant įrangos esantis žymėjimas vis dar matomas ir įskaitomas;
- ar nereikia pataisyti neįskaitomo žymėjimo ir ženklų;
- ar aušinimo vamzdis arba dalys sumontuotos tokioje vietoje, kurioje nebus veikiamos medžiagų, galinčių sukelti dalių, kuriose yra šaltnešio, koroziją, išskyrus atvejus, kai tos dalys pagamintos iš korozijai atsparių medžiagų arba tinkamai apsaugotos nuo korozijos.

7.9 ELEKTROS ĮRENGINIŲ PATIKROS

Elektrinių dalių taisymo ir techninės priežiūros darbai turi apimti paradinės saugos patikras ir dalių tikrinimo procedūras. Jei yra gedimas, dėl kurio gali kilti saugos pavojus, grandinės negalima prijungti prie elektros tinklo, kol gedimas nebus pašalintas. Jei gedimo negalima pašalinti nedelsiant, bet būtina tęsti operaciją, reikia naudoti atitinkamą laikiną sprendimą. Reikia pranešti įrangos savininkui, kad būtų pateiktos visos dalys.

Pradinės saugos patikros:

- ar išsikrovę kondensatoriai: tai reikia atlikti saugiu būdu, kad būtų išvengta galimo kibirkščiavimo;
- ar pildant, ištuštinant arba valant sistemą, nėra veikiančių elektros dalių ir atvirų laidų;
- ar yra nepertraukiamas įžeminimo kontūras.

7.10. SANDARIŲ DALIŲ TAISYMAS

- 10.1 Jei taisomos sandariosios dalys, remontuojamą įrangą reikia atjungti nuo elektros tinklo prieš nuimant sandarius dangčiu ir pan. Jei atliekant techninės priežiūros darbus būtina, kad į įrangą būtų tiekama elektra, tuomet kritiškiausiam taške turi būti naudojama nuolat veikianti nuotėkio aptikimo priemonė, kad įspėtų apie galimai pavojingą situaciją.
- 10.2 Norint užtikrinti, kad dirbant su elektros dalimis, korpusas nebus pakeistas taip, kad tai turėtų įtakos apsaugos lygiui, ypatingas dėmesys turi būti skiriamas toliau nurodytiems dalykams. Tai apima sugadinti kabelius, perteklinį jungčių skaičių, ne pagal pradinę specifikaciją pagamintus gnybtus, pažeistus tarpiklius, netinkamą riebokščių įstatymą ir kt.
- įsitinkite, kad įrenginys patikimai pritvirtintas.
 - įsitinkite, ar tarpikliai arba sandarinimo medžiaga nesusidėvėjo taip, kad nebeatlieka apsaugos nuo degaus oro patekimo į vidų pavojaus. Atsarginės dalys turi atitikti gamintojo specifikacijas.

PASTABA: silikoninio sandariklio naudojimas gali mažinti kai kurių tipų aptikimo įrangos efektyvumą. Prieš dirbant su iš esmės saugiomis dalimis, jų izoliuoti nereikia.

7.11 IŠ ESMĖS SAUGIŲ DALIŲ TAISYMAS

Sistemoje nenaudokite jokių nuolatinių indukcinųjų arba talpinės varžos apkrovų neįsitikinę, kad nebus viršyta naudojama įrangai leistina įtampa ir srovė. Iš esmės saugios dalys yra vienintelės dalys, kurias galima taisyti degiame ore. Bandomas įrenginys turi būti tinkamos kategorijos. Dalis keiskite tik gamintojo nurodytomis dalimis. Dėl kitokių dalių gali kilti šaltnešio nuotėkis ir jis ore gali užsidegti.

7.12 KABELIAI

Patikrinkite, ar kabeliai nesidėvės, jų neveiks korozija, pernelyg didelis slėgis, vibracija, nebus aštrių kraštų ar kito neigiamo aplinkos poveikio. Tikrinant taip pat reikia atsižvelgti į senėjimą ar nuolatinę vibraciją, kuria sukelia, pvz., kompresorius ar ventilatorius.

7.13 DEGIŲ ŠALTNEŠIŲ APTIKIMAS

Ieškant šaltnešio nuotėkio arba jį aptinkant jokiais aplinkybėmis negalima naudoti galimų uždegimo šaltinių. Negalima naudoti halogenidų degiklio (ar kito detektoriaus, kuriame naudojama atvira liepsna).

7.14 NUOTĖKIO APTIKIMO BŪDAI

Toliau nurodyti aptikimo būdai laikomi priimtinais naudojant sistemas, kuriose yra degių šaltnešių. Degiems šaltnešiams aptikti turi būti naudojami elektroniniai nuotėkio detektoriai, bet gali būti netinkamas jų jautrumas arba juos reikės perkalibruoti. (Aptikimo įranga turi būti kalibruojama tokioje vietoje, kurioje nėra šaltnešio.) Įsitinkite, kad detektorius nėra galimas uždegimo šaltinis ir yra tinkamas šaltnešiui aptikti. Nuotėkio aptikimo įranga turi būti nustatyta pagal šaltnešio degumo ribos (LFL) procentą ir sukalibruota pagal naudojamą šaltnešį ir patvirtintą atitinkamą dujų procentą (daugiausia 25 %). Su dauguma šaltnešių galima naudoti nuotėkio aptikimo skysčius, bet reikia vengti naudoti detergentus, kuriuose yra chloro, nes jis gali reaguoti su šaltnešiu ir sukelti varinių vamzdžių koroziją. Jei įtariama, kad yra nuotėkis, reikia pašalinti arba užgesinti atviras liepsnas. Jei aptiktas šaltnešio nuotėkis, kuriam pašalinti reikia litavimo, visą šaltnešį reikia pašalinti iš sistemos arba izoliuoti (užsukant vožtuvus) toli nuo nuotėkio vietos esančioje sistemos dalyje. Tada prieš litavimą ir lituojant į sistemą turi būti leidžiamas azotas be deguonies.

7.15 ŠALINIMAS IR IŠTUŠTINIMAS

Kai remontuojant ar atliekant kitas įprastines procedūras ardoma šaltnešio apytakos sistema, svarbu vadovautis geriausia praktika, nes būtina turėti omenyje galimą užsidegimą. Reikia griežtai laikytis šios procedūros:

- pašalinkite šaltnešį;
- išvalykite sistemą inertinėmis dujomis;
- išsiurbkite orą;
- vėl išvalykite inertinėmis dujomis;
- atverkite sistemą pjudami arba lituodami.

Įpiltas šaltnešis turi būti surinktas į tinkamus surinkimo balionus. Sistema turi būti prapūsta azotu be deguonies, kad įrenginys taptų saugus. Šį procesą gali tekti pakartoti keletą kartų.

Šiam tikslui negalima naudoti suspausto oro arba deguonies.

Turi būti prapūčiama, sistemoje panaikinant vakuumą azotu be deguonies ir toliau jo pildant, kol bus pasiektas darbinis slėgis, tada išleidžiant jį į orą ir galiausiai išsiurbiant, kad būtų sukurtas vakuumas. Šį procesą reikia kartoti tol, kol sistemoje neliks šaltnešio.

Įpūtus paskutinį kiekį azoto be deguonies, sistemą reikia išvėdinti, kol bus pasiektas atmosferos slėgis, kad būtų galima atlikti darbus. Ši operacija nepaprastai svarbi, kai ketinama atlikti vamzdžių litavimo darbus. Įsitinkite, kad vakuuminio siurblio anga neuždaryta prie bet kokių uždegimo šaltinių ir yra pakankama ventilacija.

7.16 PILDYMO PROCEDŪROS

Be įprastų pildymo procedūrų, reikia laikytis toliau nurodytų reikalavimų.

- Pasirūpinkite, kad naudojant pildymo įrangą nebūtų užteršimo skirtingais šaltnešiais. Žarnos arba vamzdžiai turi būti kuo trumpesni, kad būtų sumažintas juose esančio šaltnešio kiekis.
- Balionai turi būti laikomi vertikaliai.
- Prieš pildydami aušinimo sistemą šaltnešiu, įsitikinkite, kad sistema įžeminta.
- Baigę pildyti priklijuokite etiketę (jei dar nėra).
- Reikia būti itin atsargiems, kad aušinimo sistema nebūtų perpildyta.
- Prieš pakartotinai užpildant sistemą, reikia patikrinti slėgį naudojant azotą be deguonies. Užpildžius prieš eksploatavimo pradžią reikia patikrinti, ar nėra nuotėkio. Paskesnis nuotėkio tikrinimas.

7.17 EKSPLOATAVIMO NUTRAUKIMAS

Prieš atliekant šią procedūrą, svarbu užtikrinti, kad techninis specialistas būtų išsamiai susipažinę su įranga ir visais jos duomenimis. Rekomenduojama vadovautis geraja praktika, kad visi šaltnešiai būtų saugiai surinkti. Prieš pradėdant šią užduotį, reikia paimti alyvos ir šaltnešio mėginį.

Tam atvejui, jei prieš pakartotinį panaudoto šaltnešio naudojimą prireiktų atlikti analizę. Svarbu, kad prieš pradėdant šią užduotį būtų tiekama elektros energija.

- a) susipažinkite su įranga ir jos veikimu;
- b) izoliuokite sistemą nuo elektros tiekimo;
- c) prieš atlikdami procedūrą įsitikinkite, kad:
 - yra mechaninė tvarkymo įranga, jei jos prireiktų tvarkant šaltnešio balionus;
 - yra visos asmeninės apsaugos priemonės ir jos tinkamai naudojamos;
 - surinkimo procesą visada prižiūri kompetentingas asmuo;
 - surinkimo įranga ir balionai atitinka atitinkamus standartus.
- d) jei įmanoma, iš aušinimo sistemos išsiurbkite dujas;
- e) jei vakuomo sukurti negalima, įrenkite kolektorių, kad šaltnešis būtų pašalintas iš įvairių sistemos dalių;
- f) įsitikinkite, kad prieš pradėdant surinkimą balionas padėtas ant svarstyklių;
- g) paleiskite surinkimo įrenginį ir vadovaukitės gamintojo instrukcijomis;
- h) neperpildykite balionų (surinkite ne daugiau kaip 80 % skysčio tūrio);
- i) neviršykite maksimalaus darbinio baliono slėgio, net laikinai;
- j) kai balionai bus tinkamai užpildyti ir procesas užbaigtas, pasirūpinkite, kad balionai ir įrangą būtų iš karto pašalinti iš tos vietos ir nedelsiant būtų užsukti visi įrangos vožtuvai;
- k) surinkto šaltnešio negalima pilti į kitą aušinimo sistemą, nebent jis buvo išvalytas ir patikrintas.

7.18 ŽYMĖJIMAS

Įrangos etiketėje turi būti pažymėta, kad buvo nurauktas jos eksploatavimas ir iš jos pašalintas šaltnešis. Etiketėje turi būti pasirašyta ir nurodyta data. Įsitikinkite, kad ant įrangos yra etiketės, kuriose nurodyta, jog įrangoje yra degaus šaltnešio.

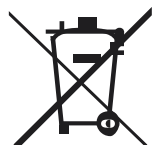
7.19 SURINKIMAS

- Šalinant šaltnešį iš sistemos techninės priežiūros ar eksploatavimo nutraukimo tikslais, rekomenduojama vadovautis geraja praktika, kad visas šaltnešis būtų saugiai pašalintas.
- Perkeldami šaltnešį į balionus pasirūpinkite, kad būtų naudojami tik atitinkami šaltnešio surinkimo balionai. Pasirūpinkite, kad būtų pakankamas skaičius balionų, reikalingų visam sistemoje esančiam šaltnešiu surinkti. Visi balionai, kurie bus naudojami, turi būti pažymėti kaip skirti tam surenkamam šaltnešiui (t. y. specialūs šaltnešio surinkimo balionai). Balionai privalo turėti gerai veikiančius slėgio mažinimo vožtuvą ir atitinkamus uždarymo vožtuvus.
- Iš tuščių surinkimo balionų išleidžiamas oras ir, jei įmanoma, prieš surinkimą jie atvėsinami.
- Surinkimo įranga turi būti geros darbinės būklės, turėti patogiai pasiekiamą instrukcijų rinkinį ir būti tinkama degių šaltnešių surinkimui. Be to, turi būti geros darbinės būklės sukalibruotos svarstyklės.
- Žarnos turi būti su jungtimis, leidžiančiomis atjungti be nuotėkio, ir geros būklės. Prieš naudodami surinkimo įrenginį, patikrinkite, ar jis yra patenkinamos darbinės būklės, tinkamai prižiūrėtas ir visos susijusios elektros dalys sandarios, kad šaltnešio išleidimo atveju būtų išvengta užsidegimo. Jei kyla abejonių, kreipkitės į gamintoją.
- Surinktas šaltnešis turi būti gražintas šaltnešio tiekėjui tinkamame surinkimo balione ir parengus atitinkamą atliekų perkėlimo dokumentą. Nemaišykite šaltnešių surinkimo įrenginiuose ir ypač balionuose.
- Jei reikia pašalinti kompresorių arba kompresoriaus alyvą, pasirūpinkite, kad ji būtų išleista tinkamu lygiu, siekiant užtikrinti, kad tepale nebus likę degaus šaltnešio. Prieš gražinant kompresorių tiekėjui, turi būti atliktas ištuštinimo procesas. Norint paspartinti šį procesą, galima pašildyti kompresoriaus korpusą naudojant tik elektrines šildymo priemones. Kai alyva išleidžiama iš sistemos, su ja turi būti elgiamasi atsargiai.

7.20. ĮRENGINIŲ TRANSPORTAVIMAS, ŽENKLINIMAS IR LAIKYMAS

1. Įrangos, kurioje yra degių šaltnešių, transportavimas
Laikantis transportavimo taisyklių
2. Įrangos ženklavimas ženklais
Laikantis vietinių taisyklių
3. Įrangos, kurioje naudojami degūs šaltnešiai, išmetimas
Laikantis nacionalinių taisyklių
4. Įrangos / įrenginių laikymas
Įranga turi būti laikoma vadovaujantis gamintojo instrukcijomis.
5. Supakuotos (neparduotos) įrangos laikymas
Laikymo pakuotės apsauga turi būti tokia, kad dėl mechaninio įrangos pažeidimo pakuotės viduje neatsirastų šaltnešio nuotėkis.
Maksimalus leistinas kartu laikomos įrangos vienetų skaičius nustatomas pagal vietines taisykles.

Šis produkts ir atzīts par atbilstošu Eiropas Savienības Zemsprieguma direktīvai (2014/35/ES) un Direktīvai attiecībā uz elektromagnētisko saderību (2014/30/ES).



Pareiza atbrīvošanās no produkta (elektrisko un elektronisko iekārtu atkritumi)

(Izmantojot šo gaisa kondicionētāju Eiropas valstīs, ir jāievēro tālāk minētie noteikumi.)

– Ja uz produkta vai tam pievienotajā dokumentācijā ir attēlots šāds marķējuma simbols, elektrisko un elektronisko iekārtu atkritumi (jeb EEIA, kā norādīts Direktīvā 2012/19/ES) ir jāsavāc daļēji no parastajiem sadzīves atkritumiem. Ir aizliegts likvidēt šo iekārtu kopā ar mājsaimniecības sadzīves atkritumiem. No produkta var atbrīvoties vairākos veidos.

1. Pašvaldība ir izveidojusi savākšanas punktus, kur lietotājs var nodot elektronisko iekārtu atkritumus bez maksas.
2. Ja tiek iegādāts jauns produkts, mazumtirgotājs pieņem iepriekšējo produktu bez maksas.
3. Ražotājs pieņem nolietoto iekārtu atkritumu savākšanas nolūkā, nepieprasot samaksu no lietotāja.
4. Noliegtie produkti satur vērtīgus resursus, tāpēc tos var pārdot metāllūžņu uzpircējiem. Atkritumu izmešana mežos un laukos apdraud jūsu veselību, jo bīstamās vielas noplūst gruntsūdeņos un iekļūst barības ķēdē.

Šis produkts satur fluorētās gāzes, uz kurām attiecas Kioto protokols

Gāzes ķīmiskais nosaukums	R32
Gāzes globālās sasilšanas potenciāls (GWP)	675

⚠ UZMANĪBU!

1. Pielīmējiet komplektācijā iekļauto aukstumaģenta etiķeti blakus uzpildes un/vai iztukšošanas vietai.
2. Salasāmi ierakstiet aukstumaģenta etiķetē uzpildītā aukstumaģenta daudzumu, izmantojot nedzēšamu tinti.
3. Nepieļaujiet fluorētās gāzes izdalīšanos. Uzstādīšanas, apkopes vai likvidācijas laikā gādājiet, lai fluorētā gāze nenokļūtu atmosfērā. Konstatējot iekārtā esošas fluorētās gāzes noplūdi, tā ir nekavējoties jāaptur un jānovērš.
4. Tikai kvalificēti tehniskās apkopes speciālisti drīkst piekļūt šim produktam un veikt tā apkopi.
5. Veicot jebkādas darbības ar fluorēto gāzi šajā produktā, piemēram, pārvietojot produktu vai atkārtoti uzpildot gāzi, ir jārīkojas saskaņā ar (EK) Regulu Nr. 517/2014 attiecībā uz konkrētām fluorētām siltumnīcas efektu izraisošām gāzēm un saskaņā ar jebkādu attiecināmo vietējo likumdošanas aktu prasībām.
6. Ja sistēmā ir uzstādīta noplūdes noteikšanas sistēma, tā ir jāpārbauda vismaz reizi gadā, meklējot noplūdes.
7. Ir ieteicams rūpīgi reģistrēt visas pārbaudes, kas tiek veiktas, meklējot noplūdes iekārtā.

Iekšējais bloks	Ārējais bloks	Nominālais spriegums un Hz
42QHP09E8S*	38QHP09E8S*	220-240V~, 50Hz
42QHP12E8S*	38QHP12E8S*	

Ražotājs patur tiesības bez brīdinājuma mainīt jebkuru no produkta specifikācijas parametriem.

SATURS

1. SAGATAVOŠANA UZSTĀDĪŠANAI	3
1.1. Drošības noteikumi	3
1.2. Piederumi	5
1.3. Uzstādīšanas vietas izvēle	6
2. IEKŠTELPU BLOKA UZSTĀDĪŠANA	7
2.1. Iekšējā bloka montāžas plāksne	7
2.2. Uzstādīšanas process	8
3. ĀRĒJĀ BLOKA UZSTĀDĪŠANA	9
3.1. Ārējā bloka uzstādīšanas izmēri	9
3.2. Ārējā bloka uzstādīšanai nepieciešamā telpa	9
3.3. Ārējā bloka vadu savienojumi	10
3.4. Ārējā bloka uzstādīšana	10
3.5. Ārējā bloka drenāžas caurules uzstādīšana	10
4. AUKSTUMAĢENTA CAURUĻU SISTĒMA	11
4.1. Paplašināšana	11
4.2. Cauruļu sistēma	11
4.3. Aukstumaģenta caurule	12
4.4. Gaisa izvade	12
4.5. Noplūdes pārbaude	12
5. ELEKTROINSTALĀCIJA	13
6. PĒDĒJĀS PĀRBAUDES UN DARBĪBAS TESTĒŠANA	14
6.1. Pēdējo pārbaudu saraksts	14
6.2. Manuāla vadība	14
6.3. Darbības testēšana	14
7. INFORMĀCIJA PAR APKOPI	15



Uzmanību! Aizdeģšanās risks
tikai R32/R290 aukstumnesējam

1.1. DROŠĪBAS NOTEIKUMI

- Gaisa kondicionēšanas iekārtu uzstādīšana, iedarbināšana un apkope var būt bīstama sistēmas spiedienu, elektrisko komponentu un iekārtas atrašanās vietas (jumts, paaugstinājumi u.c.) dēļ.
- Šī iekārta ir jāuzstāda, jāiedarbina un tās apkope jāveic tikai īpaši apmācītiem, kvalificētiem uzstādītājiem un apkopes mehāniķiem.
- Strādājot ar iekārtu, ievērojiet drošības pasākumus, kas ir aprakstīti iekārtas dokumentācijā, kā arī uz birkām, uzlīmēm un etiķetēm, kas pievienotas iekārtai.
- Ievērojiet visus drošības tehnikas noteikumus. Izmantojiet aizsargbrilles un aizsargcimdus. Lodējot turiet savā tuvumā slāpējošu drānu un ugunsdzēsības aparātu. Rīkojieties uzmanīgi, kad strādājat ar masīvām iekārtām, uzstādāt un iestatīt tās.
- Rūpīgi izlasiet šos norādījumus un ņemiet vērā visus brīdinājumus un atgādinājumus, kas minēti dokumentācijā un ir pievienoti iekārtai. Speciālās prasības skatiet vietējos būvniecības noteikumos un valsts elektroinstalācijas normās.

⚠ BRĪDINĀJUMS!

Šis simbols apzīmē personāla traumu vai dzīvības zaudēšanas risku.

- **Aukstumaģenta gāze ir smagāka par gaisu un izspiež skābekli.** Būtiska noplūde var izraisīt skābekļa daudzuma samazināšanos, it īpaši pagrabos, un var rasties smakšanas risks, kā rezultātā iespējama smagu traumu gūšana vai nāves iestāšanās.
- **Ja gaisa kondicionētājs ir uzstādīts nelielā telpā, veiciet nepieciešamās darbības, lai nepieļautu, ka noplūdušā aukstumaģenta koncentrācija telpā pārsniedz kritisko līmeni.**
- **Ja uzstādīšanas laikā noplūst aukstumaģenta gāze, nekavējoties izvēdiniet telpu.**
Aukstumaģenta gāze var radīt toksisku gāzi saskarē ar uguni no, piemēram, ventilatora sildītāja, plīts vai cepšanai paredzētas iekārtas. Saskarsme ar šo gāzi var izraisīt smagas traumas vai nāvi.
- **Pirms veicat darbus ar elektrisko strāvu vadošajiem komponentiem, atvienojiet iekārtu no elektroenerģijas avota.** Pievienojiet savienotājkabēli pareizi.
Nepareizs savienojums var izraisīt elektrisko daļu bojājumus.
- **Veidojot elektriskos savienojumus, izmantojiet norādītos kabeļus un stingri piestipriniet vadus pie spaiļu bloka savienojumu zonām, lai pret spailēm neiedarbotos ārējs spēks.**
- **Iekārtai ir jābūt iezemētai.**
Neveidojiet iekārtu zemējumu pie gāzes vai ūdens caurulēm, zibensnovēdējiem vai tālruņa vadiem.
Nepilnīga iezemēšana var izraisīt spēcīgu strāvas triecienu, traumas vai nāvi.
- **Atbrīvojieties no iepakojuma materiāliem nekaitīgā veidā.**
Iepakojuma materiāli, piemēram, naglas un citas metāla vai koka daļas, var iedurties miesā vai izraisīt citas traumas. Saplēsiet un izmetiet atkritumos plastmasas iepakojuma maisījumus, lai bērni ar tiem nerotaļātos. Ja bērni rotaļājas ar plastmasas maisījumiem, pastāv nosmakšanas risks.
- **Neuzstādiet iekārtu viegli uzliesmojošu gāzu vai gāzu izgarojumu tuvumā.**
- **Izmantojiet tikai komplektācijā iekļautās vai konkrēti norādītās uzstādīšanai paredzētās daļas.**
Izmantojot citas daļas, iekārta var izjukt, kā arī var rasties ūdens noplūde, elektriskās strāvas trieciens, ugunsgrēks vai iekārtas bojājumi.
- **Uzstādot sistēmu vai mainot tās atrašanās vietu, nepieļaujiet gaisa un citu vielu, kas nav norādītais aukstumaģents (R410A), iekļūšanu dzesēšanas ciklā.**
- **Nekādā gadījumā nepārveidojiet šo iekārtu, ņemot kādu no drošības aizsargiem vai apejot kādu drošības bloķējošo slēdzi.**
- **Elektriskos darbus drīkst veikt tikai saskaņā ar uzstādīšanas rokasgrāmatu un valsts, reģiona vai pilsētas elektroinstalācijas normām.**

⚠ BRĪDINĀJUMS!

- **Izmantojiet tikai šai iekārtai atvēlētu elektrisko ķēdi.** Nekad nelietojiet kontaktligzdu, kurai ir pievienotas citas iekārtas.
- **Lai nepieļautu risku, ko rada termālā slēdža netīša atiestatīšana, šīs iekārtas elektroenerģijas padevei nedrīkst izmantot ārēju slēdža ierīci, piemēram, taimeru, un to nedrīkst pievienot ķēdei, ko regulāri izslēdz un ieslēdz apsaimniekotājs.**
- **Lai izveidotu elektrisko savienojumu, izmantojiet instrukcijā norādītos kabeļus ar izolējošu čaulu, kurai ir piemērots temperatūras vērtējums.**
Neatbilstoši kabeļi var izraisīt strāvas noplūdi, anomālu sakaršanu vai aizdegšanos.
- **Lai paātrinātu atkausēšanas procesu vai veiktu tīrīšanu, izmantojiet tikai tās metodes, ko ieteicis ražotājs.**
- **Iekārta jāglabā telpā, kurā nav pastāvīgu aizdegšanās avotu (piemēram, atklāta liesma, funkcionējoša gāzes iekārta vai elektriskais sildītājs).**
- **Nepārduriet un nededziniet iekārtu.**
- **Ņemiet vērā, ka aukstumaģentiem var piemist aromāts.**
- **Iekārta jāglabā labi vēdināmā telpā, kuras lielums atbilst iekārtas darbībai nepieciešamajam telpas lielumam.**
- **R32 aukstumaģenta modeļiem:**
iekārta jāuzstāda, jādarbina un jāglabā telpā, kuras grīdas zona ir lielāka par 4 m²;
iekārtu nedrīkst uzstādīt nevēdināmā telpā, ja tā ir mazāka par 4 m².
- **R290 aukstumaģenta modeļiem minimālais telpas lielums ir šāds:**
≤9000Btu/h iekārtām: 13 m²
>9000Btu/h un ≤12000Btu/h iekārtām: 17 m²
>12000Btu/h un ≤18000Btu/h iekārtām: 26 m²
>18000Btu/h un ≤24000Btu/h iekārtām: 35 m²

⚠ UZMANĪBU!

Šis simbols apzīmē īpašuma kaitējuma vai nopietnu seku iespējamību.

- **Lai izvairītos no traumām, ievērojiet piesardzību, rīkojoties ar daļām, kam ir asas malas.**
- **Neuzstādiet iekštelpu bloku vai ārējo bloku vietā, kurā ir īpaši vides apstākļi.**
- **Neuzstādiet iekārtu vietā, kas var pastiprināt iekārtas trokšņu līmeni, vai vietā, kurā troksnis un izvadītais gaiss var traucēt kaimiņiem.**
- **Veicot drenāžas un cauruļu uzstādīšanas darbus, ievērojiet drošības noteikumus un uzstādīšanas rokasgrāmatā minētos norādījumus.**
Nepareiza notekcauruļu izlikšana var izraisīt ūdens noplūdi un mantas zaudējumus.
- **Neuzstādiet gaisa kondicionētāju tālāk minētajās vietās.**
 - Vietā, kur atrodas minerāleļļa vai arsēnskābe.
 - Vietā, kurā var uzkrāties korozīva gāze (piemēram, sērskābe) vai viegli uzliesmojoša gāze (piemēram, šķīdinātāja izgarojumi), vai arī vietā, kurā tiek izmantotas nestabilas, viegli uzliesmojošas vielas.
 - Vietā, kurā ir iekārtas, kas ģenerē elektromagnētisko lauku vai augstfrekvences harmonikas.
- **Iekārta ir jāglabā tā, lai novērstu mehāniskus bojājumus.**
- **Jebkurai personai, kura strādā ar aukstumaģenta ķēdi vai iejaucas tajā, ir nepieciešams atjaunināts, derīgs sertifikāts, ko izsniegusi nozarē akreditēta vērtēšanas iestāde. Šādam sertifikātam ir jāapliecina personas kompetence drošā darbību veikšanā ar aukstumaģentiem atbilstoši nozarē atzītām vērtējuma specifikācijām.**

1. SAGATAVOŠANA UZSTĀDĪŠANAI

1. SAGATAVOŠANA UZSTĀDĪŠANAI

1.2. PIEDERUMI

Iekārtas komplektācijā ietilpst tālāk minētie piederumi. Veids un skaits var atšķirties atkarībā no specifikācijas.

Piederuma nosaukums	Skaits (gab.)	Forma	Piederuma nosaukums	Skaits (gab.)	Forma
Rokasgrāmata	3		Tālvadības ierīce	1	
Drenāžas izvads	1		Akumulators	2	
Blīvslēgs	1		Tālvadības ierīces turētājs	1	
Uzstādīšanas pamatne	1		B skrūve	2	
Dībelis	5		Mazs filtrs	1	
A skrūve	5		Magnētiskais gredzens (dažās iekārtās)	N*	

* Nozīme: atbilstoši faktiskajam skaitam

1.3. UZSTĀDĪŠANAS VIETAS IZVĒLE

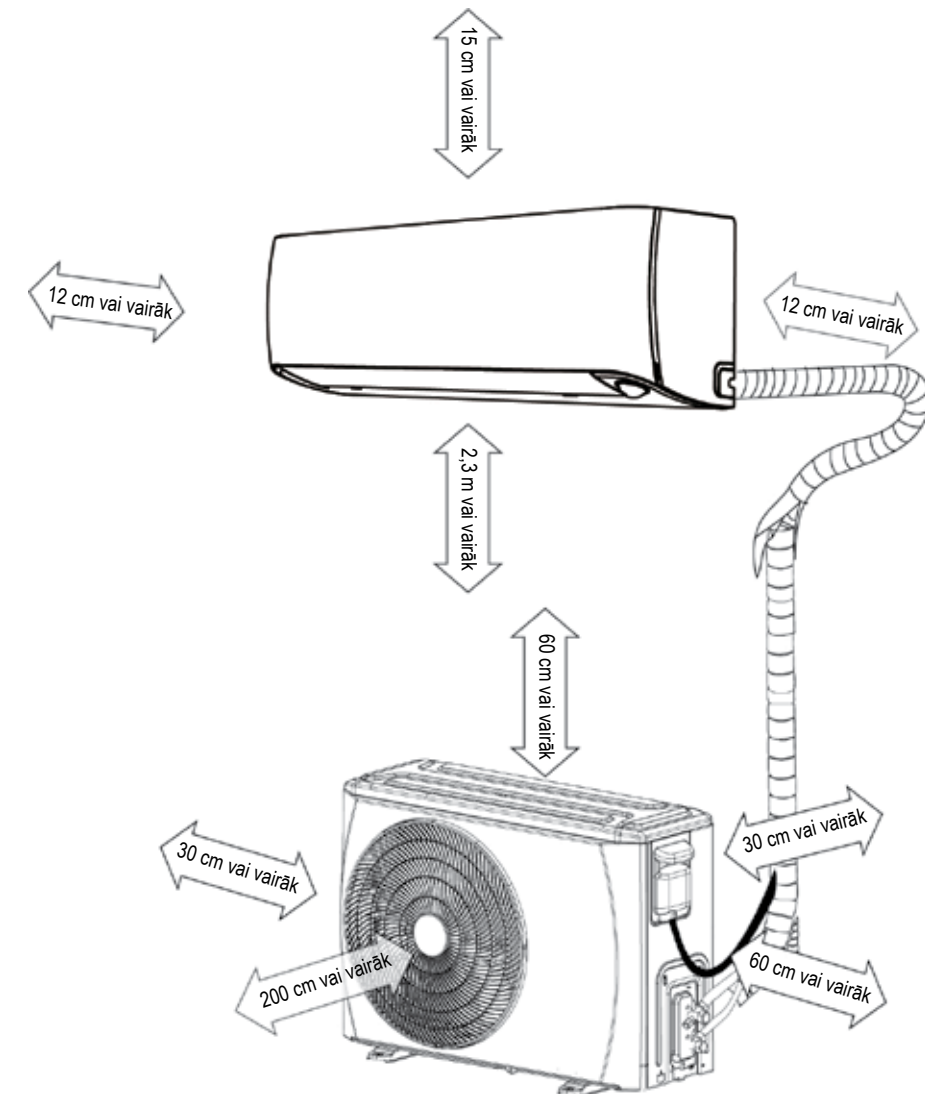
Iekštelpu bloks

- Izvēlieties vietu, kas var izturēt iekštelpu bloka svaru.
- Neuzstādiet iekštelpu bloku tieša siltuma avota, piemēram, tiešu saules staru vai sildītāja, tuvumā.
- Izvēlieties vietu, kas atbilst tālākajā attēlā norādītajām brīvās vietas prasībām.
- Iekārtas kustīgās daļas ir jāuzstāda/jānovieto ne zemāk kā 2,3 m no grīdas.

Ārējais bloks

- Izvēlieties vietu, kas ir piemērota uzstādīšanai un aizsargāta no spēcīga vēja. Ja iekārta ir pakļauta spēcīga vēja iedarbībai, ir ieteicams izmantot vēja deflektoru.
- Izvēlieties vietu, kas var izturēt ārējā bloka svaru un kur ārējo bloku var uzstādīt uz līdzenas virsmas.
- Izvēlieties vietu, kas atbilst tālākajā attēlā norādītajām brīvās vietas prasībām.

Neuzstādiet iekštelpu bloku vai ārējo bloku vietā, kurā ir īpaši vides apstākļi. Pārliecinieties, vai ir pietiekami daudz vietas uzstādīšanai un apkopei.



Piezīme. Uzstādiet bloku pietiekamā attālumā (kā norādīts ar bultiņām) no sienas, griestiem, sētas vai citiem šķēršļiem.

Cauruli var pievienot aizmugurē, pa kreisi, aizmugurē pa kreisi un labajā pusē.

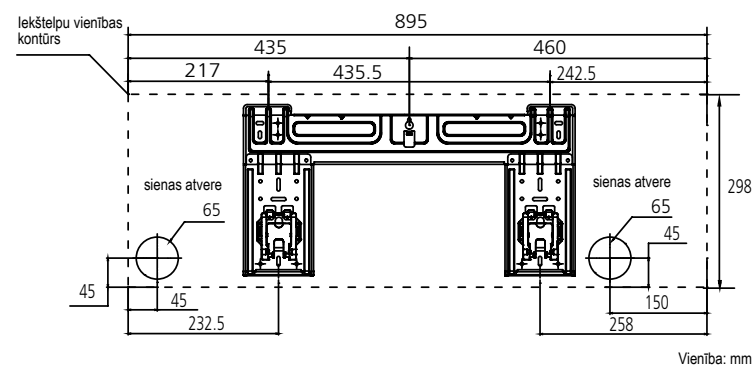
Aizbāziet neizmanto to drenāžas atveri ar komplektācijā iekļauto gumijas aizbāzni.

Veiciet iegriezumu tam paredzētajā panelī atbilstoši caurules izmēram.

Iegriezumiem piemērots panelis

2. IEKŠTELPU BLOKA UZSTĀDĪŠANA

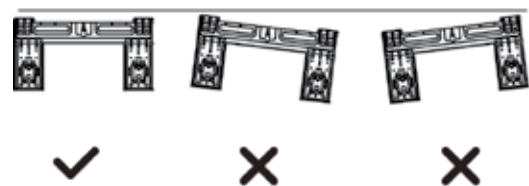
2.1. IEKŠTELPU BLOKA MONTĀŽAS PLĀKSNE



Piezīme. Ja gāzes puses savienotājs caurules diametrs ir 16 mm (5/8 collas) vai vairāk, caurules atveres diametram ir jābūt 90 mm (3,54 collas).

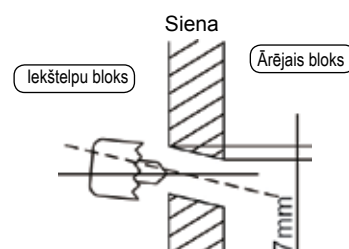
Uzstādiet montāžas plāksni

Piestipriniet montāžas plāksni pie sienas horizontāli un līdzeni, izmantojot vismaz piecas A tipa skrūves.



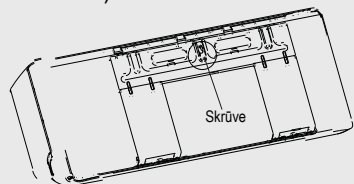
Izurbiet sienā atveri

Izurbiet sienā 65 vai 90 mm (atkarībā no modeļa) atveri ar nelielu slīpumu pret ārpusi.



Piezīme.

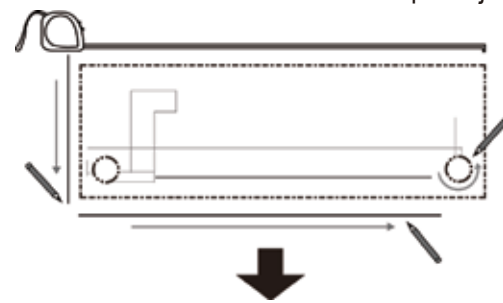
Lai atvieglotu pārvadāšanu, montāžas plāksne ir nostiprināta ar skrūvi. Pirms uzstādīšanas izņemiet attiecīgo skrūvi (skatiet attēlu).



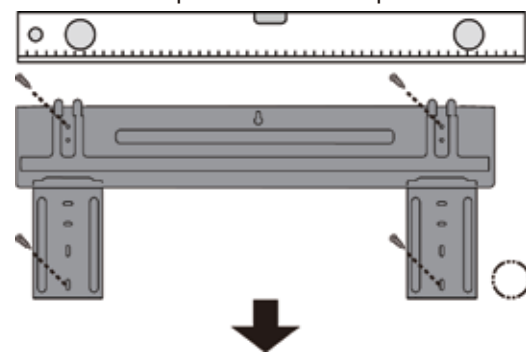
Montāžas plāksne izskatās līdzīgi attēlā redzamajai atkarībā no iekārtas izmēriem. Dībeļu nostiprināšanai paredzētajām atverēm jābūt ar 5 mm diametru

2.2. UZSTĀDĪŠANAS PROCESS

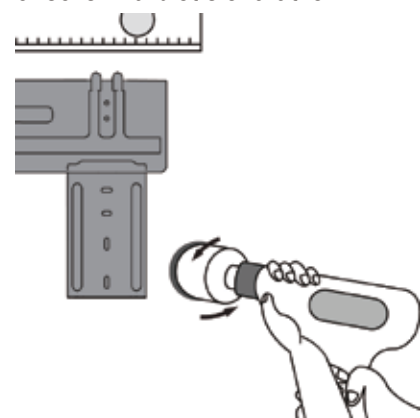
1. solis. Izvēlieties sienas atveres pozīciju.



2. solis. Piestipriniet montāžas plāksni.

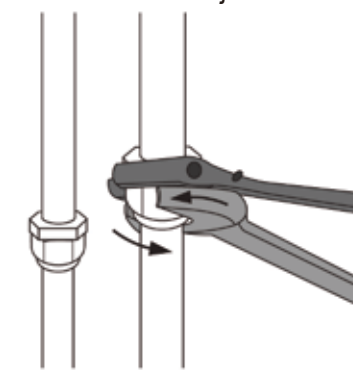


3. solis. Izurbiet sienā atveri.

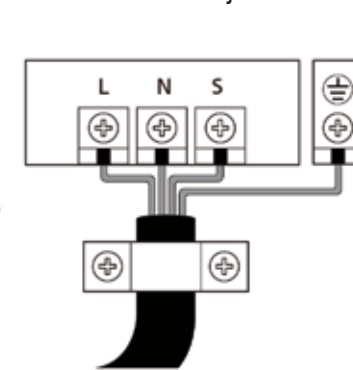


2. IEKŠTELPU BLOKA UZSTĀDĪŠANA

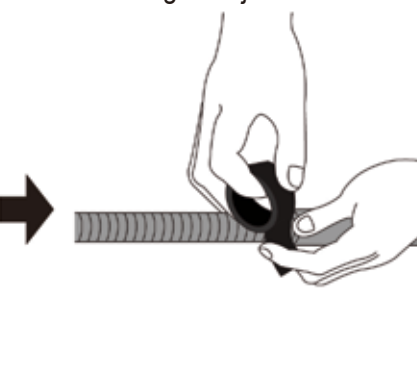
4. solis. Pievienojiet cauruli



5. solis. Pievienojiet vadus



6. solis. Sagatavojiet drenāžas cauruli



8. solis. Novietojiet iekštelpu bloku pie sienas

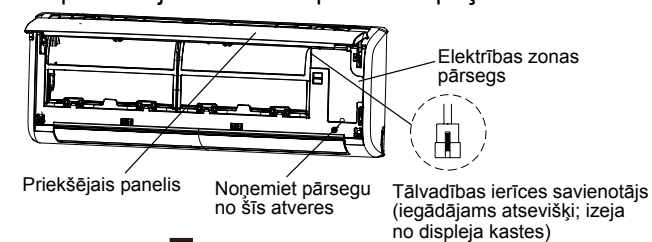


7. solis. Izolējiet cauruli un kabeli

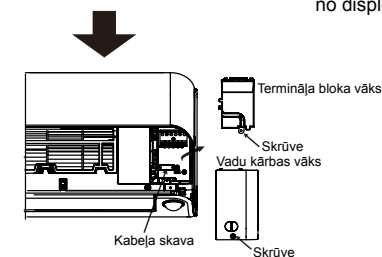


Iekštelpu bloka vadu savienojumi

1. Paceliet iekštelpu bloka priekšējo paneli.
2. Atveriet iekštelpu bloka elektrības zonas pārsegu, ievietojot atverē skrūvgriezi, noņemiet spaiļu bloka pārsegu ar rokām un noņemiet kabeļa spaiļi, palaižot skrūves vaļīgāk.
3. Izvelciet savienotājus pa iekštelpu bloka aizmuguri un pievienojiet tos iekštelpu bloka spaiļu blokam.

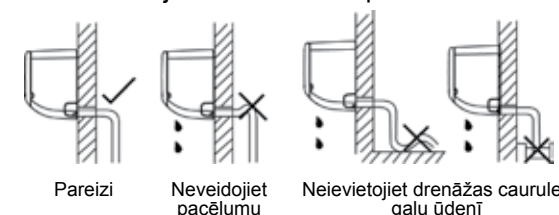


Priekšējais panelis
Noņemiet pārsegu no šīs atveres
Tālvadības ierīces savienotājs (iegādājams atsevišķi; izeja no displeja kastes)



Drenāža

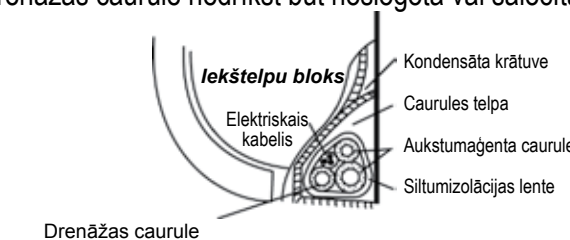
Drenāžas caurulei priekšā nedrīkst būt šķēršļi, tai jābūt vērstai uz leju un izolētai līdz pat ār sienai.



Pareizi
Neveidojiet pacēlumu
Neievietojiet drenāžas caurules galu ūdenī

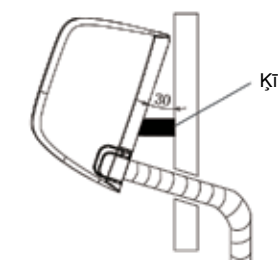
Izolējiet cauruli

- Lai pareizi novietotu aukstumaģenta caurules, elektrības kabeļus un drenāžas caurules, skatiet tālāko attēlu.
- Novietojiet drenāžas cauruli zem aukstumaģenta caurules.
 - Drenāžas caurule nedrīkst būt noslogota vai salocīta.



Novietojiet iekštelpu bloku pie sienas

1. Izvelciet aukstumaģenta caurules pa atveri sienā.
2. Nostipriniet iekštelpu bloku uz montāžas plāksnes augšējiem āķiem un pēc tam uzvirziet iekštelpu bloka apakšējo daļu uz apakšējiem āķiem pie sienas.
3. Lai pārlicinātos, vai iekštelpu bloks ir droši nostiprināts, virziet to horizontālā un vertikālā virzienā.



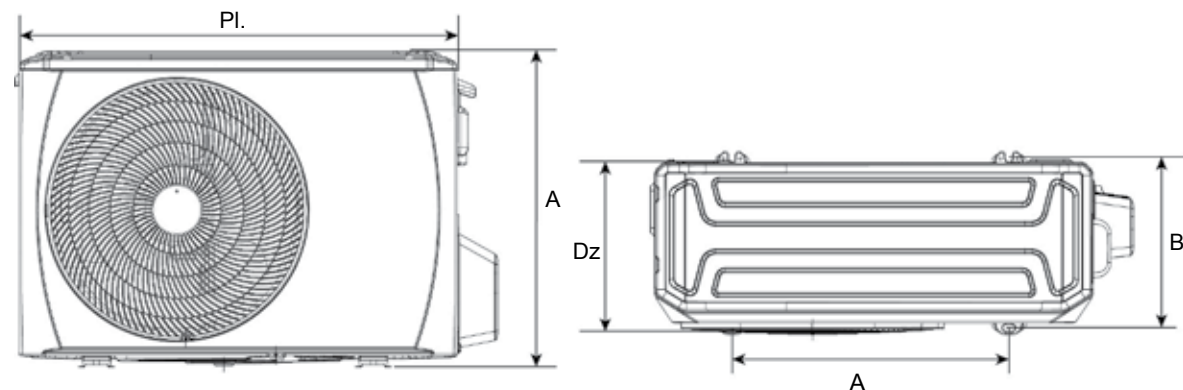
UZMANĪBU!

- Savienojuma cauruļu savienotājelementi jānovieto ārpus telpas.

3. ĀRĒJĀ BLOKA UZSTĀDĪŠANA

3.1. ĀRĒJĀ BLOKA UZSTĀDĪŠANAS IZMĒRI

Dažādu ārējo bloku uzstādīšanas izmēri ir dažādi. Nostiprināšanai paredzētās bultskrūves galvas diametram jābūt lielākam par 12 mm.

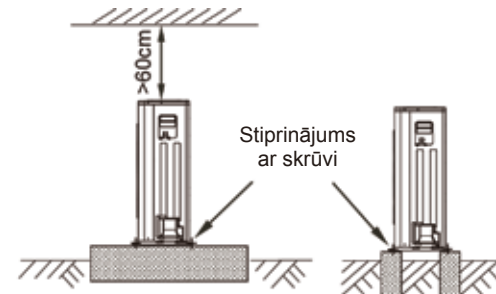
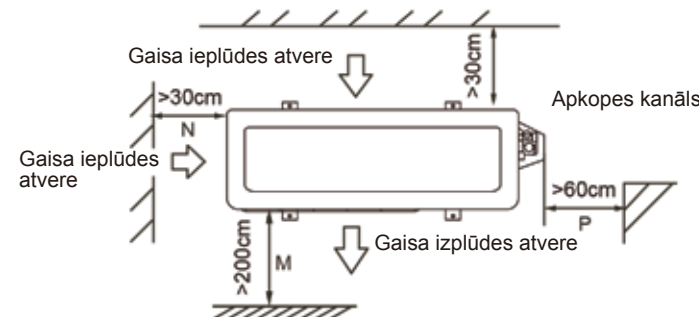


Ārējā bloka izmēri (mm)				Uzstādīšanas izmēri (mm)	
Ārējais bloks	P	A	Dz	A	B
38QHP09E8S 38QHP12E8S	800	554	333	515	340

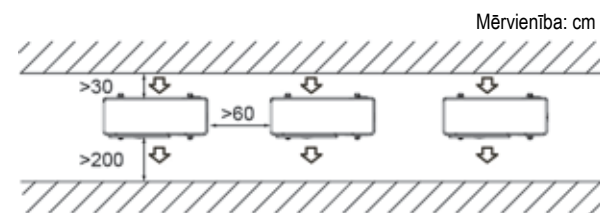
3.2. ĀRĒJĀ BLOKA UZSTĀDĪŠANAI NEPIECIEŠAMĀ TELPA

Atsevišķa bloka uzstādīšana

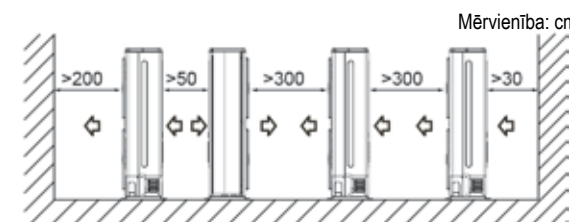
(Siena vai šķērslis)



Divu vai vairāku bloku paralēla pievienošana



Priekšējās un aizmugurējās malas paralēla pievienošana



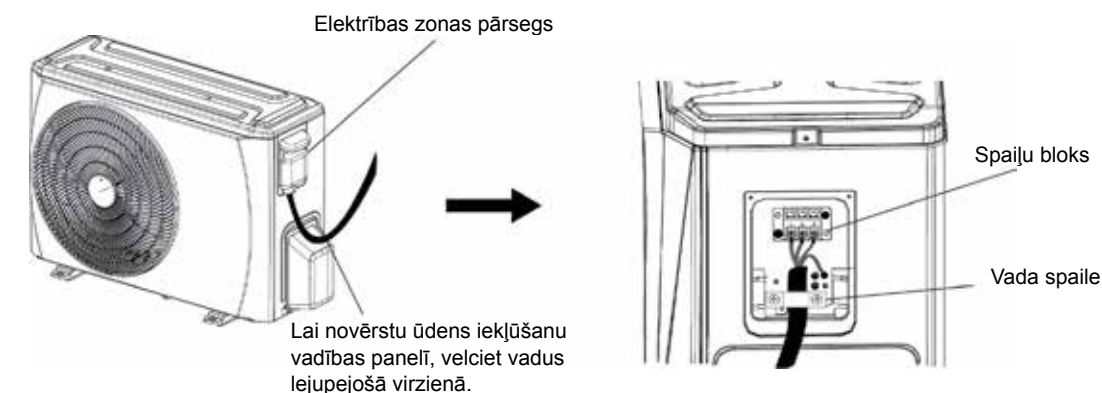
⚠ UZMANĪBU!

- Reģionos, kur mēdz būt sniegs un zema temperatūra, neuzstādiet ārējo bloku vietās, kur to var pārklāt sniegs. Ja ir paredzēts ilgstošs sniegs, ir ieteicams uzstādīt ledus vai sniega statīvu un/vai ārā novietojamu vēja deflektoru. Tādējādi bloks tiks aizsargāts no sniega uzkrāšanās un/vai gaisa ieplūdes traucējumiem.

3. ĀRĒJĀ BLOKA UZSTĀDĪŠANA

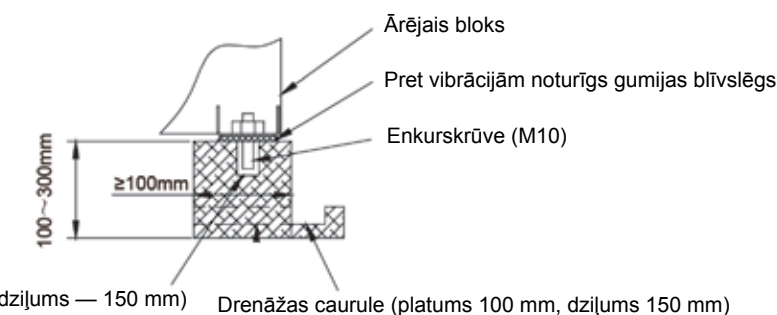
3.3. ĀRĒJĀ BLOKA VADU SAVIENOJUMI

- Noņemiet elektrības zonas pārsegu un kabeļa spaili, palaižot skrūves vaļīgāk.
- Pievienojiet vadus ārējam spaiļu blokam tādā pašā secībā, kā tos pievienojat iekšējai blokam.



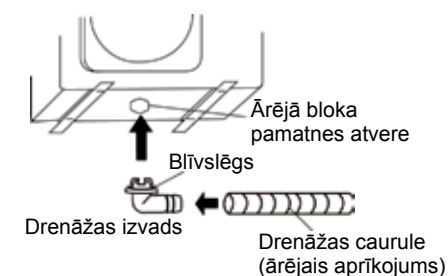
3.4. ĀRĒJĀ BLOKA UZSTĀDĪŠANA

- Pirms uzstādīšanas pārliecinieties, vai pamatne ir droši nostiprināta un novietota līdzeni. Nedrīkst rasties neparasti trokšņi.
- Stingri nostipriniet pamatni ar enkurskrūvēm (M10), lai novērstu tās sabrukšanu.
- Uzstādiet pamatni un pret vibrācijām noturīgus gumijas blīvslēgus, nepastarpināti atbalstot kājas paliktni, kas saskaras ar ārējā bloka apakšējo plāksni.



3.5. ĀRĒJĀ BLOKA DRENĀŽAS CAURULES UZSTĀDĪŠANA

- Savienojiet drenāžas izvadu ar pagarinātu drenāžas cauruli.
- Uzlieciet blīvslēgu uz drenāžas izvada.
- Ievietojiet drenāžas izvadu ārējā bloka pamatnes atverē un pagrieziet to par 90 grādiem, stingri samontējot daļas kopā.



UZMANĪBU!

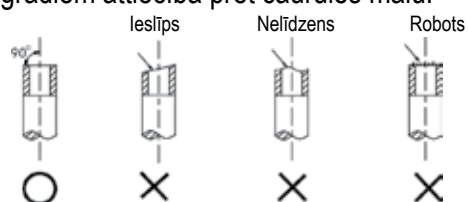
- Pārlicinieties, vai augstuma starpība starp iekštelpu un ārējo bloku un kopējais aukstumaģenta caurules garums atbilst sistēmas prasībām.
- Pēc iekštelpu un ārējā bloka uzstādīšanas jāveic aukstumaģenta cauruļu izlikšana. Vispirms pievienojiet cauruļi iekštelpu pusē, pēc tam — ārpusē.
- Uzstādīšanas laikā hermētiski noslēdziet caurules galus ar vāciņu vai lenti. NENOŅEMIET to, kamēr neesat gatavs pievienot caurules.
- Gādājiet, lai ārējā aprīkojuma caurules būtu izolētas līdz pat cauruļu savienojumam bloka iekšpusē. Ja caurules nav izolētas, tas var izraisīt kondensāta veidošanos vai apdegumus pieskaroties.
- Ja ārējais bloks atrodas augstāk un līmeņu starpība pārsniedz 10 m, ir ieteicams izvietot atpakaļejošus elļai paredzētus līkumus gāzes caurulē ik pēc 5–8 m. Elļai paredzētā atpakaļejošā līkuma rādiusam jābūt lielākam par 10 cm.

4.1. PAPLAŠINĀŠANA

ŅEMIET VĒRĀ!

- Paplašināšanai nepieciešamie piederumi: cauruļu griezējs, rīvurbis, paplašināšanas rīks un caurules turētājs.
- R32 aukstumnesēja modeļiem cauruļvadu pieslēguma punkti jānovieto ārpus telpas.

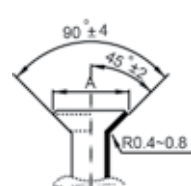
4.1.1. Izmantojot cauruļu griezēju, nogrieziet vajadzīgā garuma caurules posmu. Griezuma leņķim jābūt 90 grādiem attiecībā pret caurules malu.



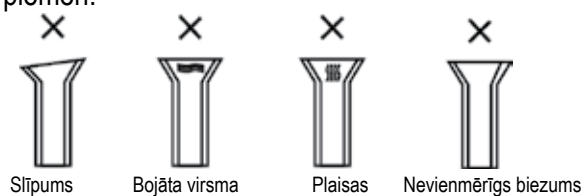
4.1.2. Ar rīvurbi nolīdziniet robus. Lai daļiņas neiekļūtu caurulē, novietojiet to ar griezto pusi uz leju.

4.1.3. Veiciet paplašināšanu atbilstoši tālāk redzamajiem norādījumiem, izmantojot atbilstošos paplašināšanas rīkus.

Ārējais diametrs	A (mm)	
	Maks.	Min.
Ø6,35 mm	8,7	8,3
Ø9,52 mm	12,4	12,0
Ø12,7 mm	15,8	15,4
Ø15,88 mm	19,0	18,6
Ø19,05 mm	23,3	22,9



4.1.4. Pārlicinieties, vai paplašināšana ir veikta pareizi. Tālāk ir redzami nepareizi paplašinātu cauruļvadu piemēri.

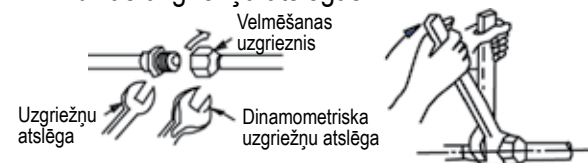


UZMANĪBU!

- Ja ir nepieciešama lodēšana, izmantojiet gāzveida slāpekļa plūsmu.
- Izmantojot nepiemērotu griezes momentu, var rasties paplašinājuma bojājumi vai gāzes noplūde.

4.2. CAURUĻU SISTĒMA

4.2.1. Savietojiet centru, lai pievilktu ciešāk velmēšanas uzgriezni, un pabeidziet savienošanu, izmantojot divas uzgriežņu atslēgas.



Cauruļu izmērs	Griezes moments
Ø6,35 mm	18–20 Nm
Ø9,52 mm	25–26 Nm
Ø12,7 mm	35–36 Nm
Ø15,88 mm	45–47 Nm
Ø19,05 mm	65–67 Nm

4.2.2. Izvēlieties atbilstošu izolācijas materiālu aukstumaģenta caurulēm (vismaz 10 mm C tipa siltumizolācijas putas).

- Izmantojiet atsevišķas termālās izolācijas caurules gāzes un šķidrums caurulēm.
- Iepriekš minētais biežums ir standarts, ja iekštelpu temperatūra ir 27 °C un gaisa mitruma līmenis ir 80%. Ja uzstādīšana notiek nelabvēlīgos apstākļos, piemēram, vannasistabās, virtuves un tamlīdzīgu telpu tuvumā, izmantojiet izturīgāku izolāciju.
- Izolācijas siltumizturības temperatūrai jābūt lielākam par 120 °C.
- Lai nepieļautu mitruma iekļūšanu, izmantojiet saistvielu izolācijas savienojumu vietās.
- Aizpildiet un pārklājiet visas iespējamās plaisas izolācijā. Īpaši rūpīgi pārbaudiet cauruļu līkumu un iekāri.

4.3. AUKSTUMAĢENTA CAURULE

Piezīme: aukstumnesējs jāuzlādē, izmantojot ārtelpu vienības zemā spiediena vārsta apkopes portu.

R32*	Minimālais garums, lai samazinātu liekas vibrācijas un trokšņus	Neuzpildītais garums	Papildu uzpilde uz metru	
			Šķidrums puse: Ø6,35 mm	Šķidrums puse: Ø9,52 mm
	3 m	5 m	12 g	24 g

* Izmantojiet R32 sistēmai paredzētos instrumentus.

ŅEMIET VĒRĀ!

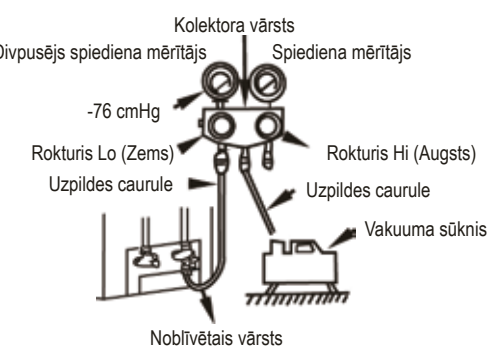
- Garāka caurule nelabvēlīgi ietekmē iekārtas jaudu un energoefektivitāti.
- Nominālā efektivitāte tiek pārbaudīta, izmantojot 5 m garu cauruļi.
- Ja caurules garums pārsniedz 5 m, papildu aukstumaģents jāpievieno atbilstoši caurules garumam.
- Tālāk ir norādīts maksimālais ieteicamais caurules garums.

Modeļi	R32 invertors	
	Maks. caurules garums (m)	Maks. augstumu starpība (m)
9K/12K	25	10

* Izmantojiet R32 sistēmai paredzētos instrumentus.

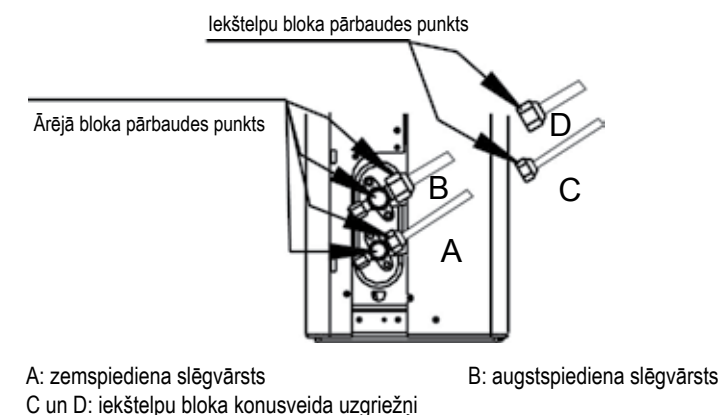
4.4. GAISA IZVADE

- Pievienojiet uzpildes cauruļi kolektora vārstam un gāzes puses noblīvētā vārsta apkopes pieslēgvietai.
- Pievienojiet uzpildes cauruļi vakuumsūkņa pieslēgvietai.
- Atgrieziet kolektora vārsta rokturi Lo (Zems) līdz galam.
- Darbiniet vakuumsūkni, lai izvadītu gaisu no sistēmas līdz -76 cmHg.
- Aizgrieziet kolektora vārsta rokturi Lo (Zems) līdz galam.
- Atveriet noblīvētā vārsta kātu līdz galam.
- Noņemiet uzpildes cauruļi no apkopes pieslēgvietas.
- Rūpīgi aizveriet noblīvētā vārsta uzgaļus.



4.5. NOPLŪDES PĀRBAUDE

Pēc cauruļu uzstādīšanas pārbaudiet visu aukstumaģentu cauruļu savienojumus un pārbaudiet, vai nav gāzes noplūdes, izmantojot ziepjūdeni vai noplūdes detektoru, kas īpaši piemērots HFC aukstumaģentiem. Process ir attēlots tālāk redzamajā attēlā.



⚠ UZMANĪBU!

- Visi elektrisko savienojumu darbi jāveic kvalificētiem uzstādīšanas speciālistiem, un visa elektroinstalācija ir jāpievieno atbilstoši elektroinstalācijas shēmai.
- Pirms citu elektrisko savienojumu veikšanas iezemējiet iekārtu.
- Pirms elektroinstalācijas darbu sākšanas ir jāizslēdz visi elektroenerģijas avoti. Atjaunojiet elektroenerģijas padevi tikai tad, kad visa elektroinstalācija ir pārbaudīta.
- Ir jāuzstāda galvenais slēdzis un jaudas ķēde vai drošinātājs, kura kapacitātei jābūt vairāk nekā 1,5 reizes lielākai par maksimālo strāvu jaudas ķēdē.
- Ir nepieciešama atsevišķa ķēde un kontaktligzda, kas tiek izmantota tikai šai iekārtai.
- Vadu šķērssgriezums ir atkarīgs no nominālās strāvas un valsts, reģiona vai pilsētas elektroinstalācijas normām. Speciālās prasības skatiet vietējos būvniecības noteikumos un valsts elektroinstalācijas normās.
- Ja strāvas vads ir bojāts, ražotājam, tā tehniskās apkopes speciālistam vai citam līdzīgi kvalificētam speciālistam tas ir jānomaina. Pretējā gadījumā ir iespējams apdraudējums.
- Iekārta ir jāpievieno galvenajam elektroenerģijas avotam, izmantojot jaudas ķēdi vai slēdzi, kurā ir vismaz 3 mm liels attālums starp kontaktiem visos polos. Ir ieteicams uzstādīt paliekošās strāvas iekārtu, kuras nominālā paliekošā darba strāva nepārsniedz 30 mA.
- Šajā iekārtā ir iekļauts zemējuma savienojums, kas paredzēts tikai funkcionālam mērķim.

■ Modeļu nominālā strāva

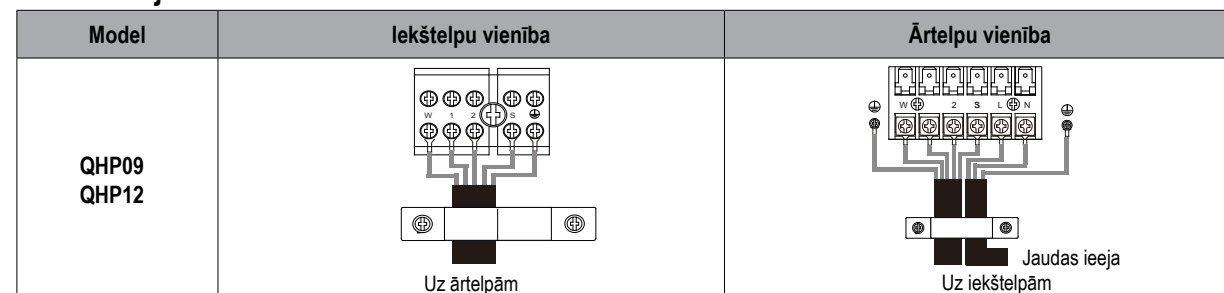
Modelis	Nominālā strāva (A)	Drošinātāja nominālā vērtība (A)	Strāvas padeves vads (min. šķērssgriezums)	Savienotājkaбелиs (min. šķērssgriezums)
38QHP09E8S	10,0	16	3*1,5 mm ²	5*1,5 mm ²
38QHP12E8S	13,0	20	3*1,5 mm ²	5*1,5 mm ²

NEMIET VĒRĀ!

- Visiem elektroenerģijas vadu izmēriem ir jāatbilst valsts, reģiona vai pilsētas elektroinstalācijas normām. Speciālās prasības skatiet pilsētas būvniecības noteikumos un valsts elektroinstalācijas normās.
- Ārējā bloka strāvas vadam un savstarpējā savienojuma kabelim ir jāatbilst H07RN-F tipam.
- Iekārtas nominālā strāva ir norādīta uz datu plāksnītes.
- Āra vienības drošinātāju specifikācija ir T20A/250 V maiņstrāva (piemērojams tikai vienībām, kas pieņem R32 dzesētāju) Piezīme: drošinātājs ir izgatavots no keramikas.



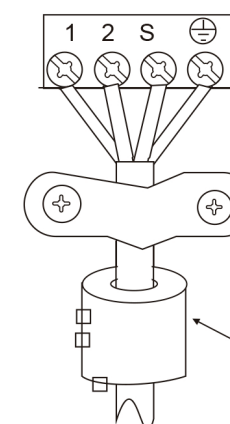
■ Savienojumu shēma



■ Magnētiskā gredzena uzstādīšana

Piezīme. Spaiļu bloks dažādiem modeļiem var atšķirties.

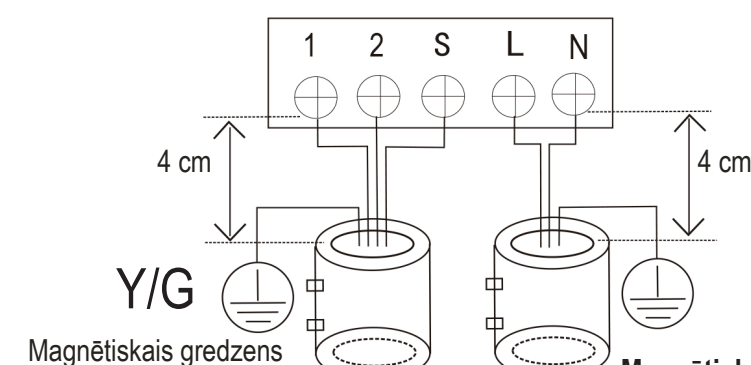
Iekštelpu bloks



Magnētiskais gredzens

(ja ir iekļauts komplektācijā un piegādāts kopā ar piederumiem) Izvelciet siksnu caur magnētiskā gredzena atveri, lai piestiprinātu to pie kabeļa

Ārējais bloks



Magnētiskais gredzens

Magnētiskais gredzens

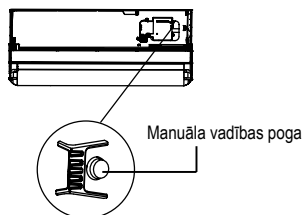
(ja ir iekļauts komplektācijā un piegādāts kopā ar piederumiem)

Izvelciet siksnu caur magnētiskā gredzena atveri, lai piestiprinātu to pie kabeļa

6.1. PĒDĒJO PĀRBAUŽU SARAKSTS

Lai pabeigtu uzstādīšanu, pirms darbības testēšanas veiciet tālāk minētās pārbaudes.

- Pārbaudiet iekštelpu un ārējā bloka uzstādīšanas vietas atbilstību, lai nekas neaizšķērsotu bloka gaisa izplūdes vai ieplūdes atveres.
- Pārbaudiet, cik stingri ir pievilkti aukstumaģenta cauruļu savienojumi, un pārbaudiet, vai nav noplūdes.
- Pārbaudiet, vai elektroinstalācijas savienojumi ir veikti pareizi un vai iekārta ir iezemēta.
- Noskaidrojiet cauruļu kopējo garumu un pierakstiet papildus uzpildītā aukstumaģenta tilpumu.
- Elektroenerģijas padevei jābūt saskaņotai ar gaisa kondicionētāja nominālo spriegumu.
- Pārbaudiet cauruļu izolāciju.
- Pārbaudiet drenāžu.



6.2. MANUĀLA VADĪBA

Manuālajai vadībai var piekļūt, nospiežot manuālās vadības pogu.

Nospiediet manuālās vadības pogu vienu vai vairākas reizes, lai mainītu režīmus, kā attēlots tālāk.

- Vienu reizi — režīms AUTO (sildīšana, dzesēšana vai ventilatora darbība, 24 °C, automātisks ventilatora ātrums).
- Divas reizes — COOLING jeb dzesēšanas režīms (pēc 30 minūtēm pārslēdzas uz režīmu AUTO; pārsvarā tiek izmantots darbības testēšanai).
- Trīs reizes — OFF (Izslēgt).

6.3. DARBĪBAS TESTĒŠANA

Ar tālvadības ierīci (vai manuālās vadības pogu) iestatiet gaisa kondicionēšanas režīmu COOLING (Dzesēšana) un pārbaudiet iekštelpu un ārējā bloka darbību. Ja tiek konstatētas problēmas, novērsiet tās atbilstoši norādījumiem apkopes rokasgrāmatas sadaļā "Problēmu novēršana".

Iekštelpu bloks

- Vai tālvadības ierīces pogas (piemēram, ON/OFF (Ieslēgt/izslēgt), MODE (Režīms), TEMPERATURE (Temperatūra), FAN SPEED (Ventilatora ātrums) utt.) darbojas pareizi?
- Vai žalūzijas kustās bez traucējumiem?
- Vai istabas temperatūra ir pareizi noregulēta?
- Vai visi indikatori displeja panelī liecina par normālu darbību?
- Vai manuālās vadības poga darbojas pareizi?
- Vai drenāža notiek pareizi?
- Vai izmantošanas laikā iekārta vibrē vai ir dzirdams neparasts troksnis?
- Vai iekštelpu bloks pareizi darbojas režīmā COOLING (Dzesēšana) un HEATING (Sildīšana)?

Ārējais bloks

- Vai izmantošanas laikā iekārta nevirē/nav dzirdams neparasts troksnis?
- Vai gaisa kondicionētāja radītā gaisa plūsma, troksnis vai ūdens kondensāts netraucē kaimiņiem?
- Vai nav radusies aukstumaģenta noplūde?

⚠ UZMANĪBU!

- Atkārtoti ieslēdzot iekārta, darbība tiek aizkavēta apmēram 3 minūtes, aizsargājot kompresoru.

7.1. TELPAS PĀRBAUDES

Pirms sākt darbu ar sistēmām, kas satur uzliesmojošus aukstumaģentus, ir jāveic drošības pārbaudes, lai pārlicinātos, vai aizdegšanās risks ir samazināts līdz minimumam. Lai remontētu dzesēšanas sistēmu, pirms darbību veikšanas ar sistēmu ir jāsteno tālāk aprakstītie drošības pasākumi.

7.2. DARBA PROCEDŪRA

Darbi ir jāveic kontrolēti, lai līdz minimumam samazinātu uzliesmojošas gāzes vai izgarojumu klātbūtni darba zonā.

7.3. VISPĀRĪGĀ DARBA ZONA

Visi apkopes darbinieki un citas personas, kas strādā vietējā zonā, ir jāinformē par veicamo darbu saturu. Ir jāizvairās no darba slēgtās telpās. Telpa ap darba zonu ir jānodala. Gādājiet, lai apstākļi zonā būtu droši, kontrolējot uzliesmojošu materiālu.

7.4. AUKSTUMAĢENTA KLĀTBŪTNES PĀRBAUDE

Pirms darba un tā laikā zona ir jāpārbauda ar atbilstošu aukstumaģenta noteicēju, lai tehniķis būtu informēts par iespējami uzliesmojošu atmosfēru. Gādājiet, lai izmantotais noplūžu noteikšanas aprīkojums būtu piemērots lietošanai ar uzliesmojošiem aukstumaģentiem — aprīkojums nedrīkst dzirkstēlot, tam ir jābūt pareizi noslēgtam un rūpnieciski aizsargātam.

7.5. UGUNSDZĒSĪBAS APARĀTS

Ja ir paredzēts veikt dzesēšanas aprīkojuma vai jebkādu ar to saistīto daļu karstapstrādi, ir jābūt pieejamam atbilstošam ugunsdzēsības aprīkojumam. Blakus uzlādes zonai ir jābūt pieejamam ugunsdzēsības aparātam, kura darbības pamatā ir sauss pulveris vai CO₂.

7.6. AIZDEĢŠANĀS AVOTI

Personas, kas, veicot darbības ar dzesēšanas sistēmu, atsedz jebkādas tādas caurules, kas satur vai ir saturējušas uzliesmojošu aukstumaģentu, nedrīkst izmantot nekādus aizdegšanās avotus tādā veidā, kas var radīt ugunsgrēka vai sprādziena risku. Visiem iespējamiem aizdegšanās avotiem, tostarp aizdedzinātām cigaretēm, ir jāatrodas pietiekami tālu no uzstādīšanas, remontdarbu, noņemšanas un likvidēšanas darbu vietas, jo šādu darbu laikā uzliesmojošais aukstumaģents var nokļūt apkārtējā vidē. Pirms darbu veikšanas zona ap aprīkojumu ir jāpārbauda, lai pārlicinātos, vai nepastāv uzliesmošanas vai aizdegšanās risks. Zonā ir jābūt izvietotām smēķēšanas aizlieguma zīmēm.

7.7. VĒDINĀMA ZONA

Pirms iekļūšanas sistēmā vai jebkādas karstapstrādes veikšanas gādājiet par to, lai zona būtu atklātā vietā vai tiktu pietiekami vēdināta. Vēdināšana ir jāturpina visā darbu veikšanas periodā. Vēdinot ir droši jāizklieš jebkāds no sistēmas izkļuvis aukstumaģents, un ir ieteicams to izvadīt ārēlu atmosfērā.

7.8. DZESĒŠANAS APRĪKOJUMA PĀRBAUDES

Ja veicat elektrisko komponentu nomaiņu, tiem ir jāatbilst lietošanas nolūkam un pareizajai specifikācijai. Vienmēr ievērojiet ražotāja norādījumus par tehnisko apkopi un remontu. Ja jums ir šaubas, sazinieties ar ražotāja tehnisko nodaļu, lai saņemtu palīdzību. Montāžās, kurās ir izmantoti uzliesmojoši aukstumaģenti, ir jāveic tālāk aprakstītās pārbaudes.

- Pārbaudiet, vai uzpildes tilpums atbilst tās telpas lielumam, kurā ir uzstādītas aukstumaģentu saturošās daļas.
- Pārbaudiet, vai ventilācijas mehānismi un izvades iekārtas darbojas pareizi un nav nosprostotas.
- Ja tiek izmantota netieša dzesēšanas ķēde, pārbaudiet, vai sekundārajās ķēdēs nav iekļuvusi aukstumaģenti. Pārbaudiet, vai aprīkojuma marķējums ir redzams un salasāms.
- Labojiet nesalasāmu marķējumu un zīmes.
- Pārbaudiet, vai dzesēšanas caurule un tās komponenti ir uzstādīti tādā pozīcijā, kurā tie, visticamāk, netiks pakļauti nekādu tādu vielu iedarbībai, kas var veicināt aukstumaģentu saturošu komponentu koroziju, izņemot gadījumus, kad komponenti ir veidoti no materiāliem, kas ir noturīgi pret koroziju, vai ir atbilstoši aizsargāti pret koroziju.

7.9. ELEKTROIERĪČU PĀRBAUDES

Elektroierīču remonta un tehniskās apkopes darbos ir jāietver arī sākotnējās drošības pārbaudes un komponentu pārbaudes. Ja pastāv kļūme, kas var nelabvēlīgi ietekmēt drošību, ķēdei nedrīkst pievienot elektrības padevi līdz brīdim, kad problēma būs novērsta. Ja kļūmi nevar novērst nekavējoties, bet darbība ir jāturpina, ir jāizmanto piemērots pagaidu risinājums. Par to ir jāziņo aprīkojuma īpašniekam, lai visas puses būtu informētas.

Tālāk ir aprakstītas dažas sākotnējās drošības pārbaudes.

- Pārbaudiet, vai kondensatori ir izlādēti — to darot, ievērojiet drošības pasākumus, lai izvairītos no dzirksteļošanas iespējamības.
- Kad uzlādējat, iztukšojat vai tīrāt sistēmu, pārliecinieties, vai tajā nav atklāti zemsprieguma elektriski komponenti un elektroinstalācijas.
- Pārbaudiet, vai iekārtā nav nepārtraukts zemējums.

7.10. BLĪVĒTU KOMPONENTU REMONTS

- 10.1. Veicot blīvētu komponentu remontu, visām elektroenerģijas padevēm ir jābūt atvienotām no remontējamā aprīkojuma pirms jebkādas blīvētu pārsegu u.tml. noņemšanas. Ja remonta laikā aprīkojumam ir nepieciešama elektroenerģijas padeve, kritiskākajā punktā ir jāatrodas pastāvīgi darbināmam noplūžu noteikšanas līdzeklim, kas brīdina par iespējami bīstamu situāciju.
- 10.2. Īpaša uzmanība jāpievērš tālāk aprakstītajiem piesardzības pasākumiem, lai, strādājot ar elektriskiem komponentiem, korpuss netiktu mainīts tādā veidā, kas ietekmē aizsardzības līmeni. Tas ietver kabeļu bojājumus, pārāk lielu savienojumu skaitu, spaiļes, kuru novietojums neatbilst oriģinālajai specifikācijai, bojātas blīves, nepareizi montētus blīvslēgus u.tml.
 - Pārbaudiet, vai aparāts ir droši montēts.
 - Pārbaudiet, vai blīves vai blīvju materiāls nav tik bojāts, ka vairs nepilda uzliesmojošas atmosfēras iekļūšanas novēršanas funkciju. Rezerves daļām ir jāatbilst ražotāja specifikācijām.

PIEZĪME. Silikona blīvējums var nelabvēlīgi ietekmēt dažu veidu noplūžu noteikšanas aprīkojuma efektivitāti. Pirms darba ar rūpnieciski aizsargātiem komponentiem tie nav jāizolē.

7.11. RŪPNIECISKI AIZSARGĀTU KOMPONENTU REMONTS

Pirms lietojat pastāvīgas induktīvas slodzes vai kapacitātes slodzes ķēdē, vispirms pārliecinieties, vai tādējādi netiks pārsniegts lietojamam aprīkojumam atļautais sprieguma un strāvas ierobežojums. Uzliesmojošas atmosfēras tuvumā drīkst veikt darbu tikai ar tādiem zemsprieguma komponentiem, kas ir rūpnieciski aizsargāti. Pārbaudes aparātā ir jābūt iestatītai pareizai vērtībai. Izmantojiet tikai tādas rezerves daļas, ko ir norādījis ražotājs. Citu daļu lietošana var izraisīt aukstumaģenta aizdegšanos atmosfērā noplūdes gadījumā.

7.12. KABELĪ

Pārbaudiet, vai kabeli nenokļū saskarē ar asām malām, netiks pakļauti nodiluma vai korozijas iedarbībai, pārmērīgam spiedienam, vibrācijām vai jebkādiem citiem nelabvēlīgiem vides apstākļiem. Veicot pārbaudi, ir jāņem vērā arī novecošana vai pastāvīgas vibrācijas, kuru avots ir dažādi objekti, piemēram, kompresori vai ventilatori.

7.13. UZLIESMOJOŠU AUKSTUMAĢENTU NOTEIKŠANA

Meklējot vai nosakot aukstumaģenta noplūdes, nekādā gadījumā nedrīkst izmantot iespējamus aizdegšanās avotus. Nedrīkst izmantot halogēna lāpu (vai jebkuru citu noteicēju, kas izmanto atklātu liesmu).

7.14. NOPLŪŽU NOTEIKŠANAS METODES

Tālāk aprakstītās noplūžu noteikšanas metodes tiek uzskatītas par pieņemamām sistēmām, kas satur uzliesmojošus aukstumaģentus.

Lai noteiktu uzliesmojošus aukstumaģentus, ir jālieto elektroniski noplūžu noteicēji, tomēr to jutīgums var būt nepietiekams vai var būt nepieciešams tos kalibrēt atkārtoti (noteikšanas aprīkojums ir jākalibrē telpā, kur nav aukstumaģenta). Pārliecinieties, vai noteicējs nav iespējams aizdegšanās avots un ir piemērots aukstumaģenta noteikšanai. Noplūžu noteikšanas aprīkojumā ir jāiestata aukstumaģenta LFL procentuālā vērtība un aprīkojums ir jākalibrē atbilstoši izmantotajam aukstumaģentam, kā arī ir jāapstiprina atbilstoša gāzes procentuālā vērtība (ne vairāk par 25%). Noplūžu noteikšanas šķidrumi ir piemēroti lietošanai kopā ar vairākumu aukstumaģentu, tomēr ir jāizvairās no hlora saturošu mazgāšanas līdzekļu lietošanas, jo hlors var reaģēt ar aukstumaģentu un veicināt vara cauruļu koroziju. Ja ir aizdomas par noplūdi, tuvumā nedrīkst būt atklāta liesma. Ja tiek konstatēta tāda aukstumaģenta noplūde, kuras novēršanai ir nepieciešama lodēšana, viss aukstumaģents ir jāizvada no sistēmas vai jāizolē (aizverot vārstus) tādā sistēmas daļā, kas atrodas tālu no noplūdes vietas. Pēc tam pirms lodēšanas un tās laikā sistēmā ir jāievada no skābekļa attīrīts slāpekļis (oxygen free nitrogen — OFN).

7.15. NOŅEMŠANA UN IZTUKŠOŠANA

Ja ir jāiejaucas aukstumaģenta ķēdē, lai veiktu remontu, vai jebkāda cita iemesla dēļ, ir jāievēro parastā darba kārtība. Tomēr ir ieteicams ievērot paraugpraksi, jo jāņem vērā uzliesmojamība. Ir jāveic šādas darbības:

- izņemiet aukstumaģentu;
- iztīriet ķēdi, izmantojot inerti gāzi;
- iztukšojiet ķēdi;
- vēlreiz iztīriet ķēdi, izmantojot inerti gāzi;
- atveriet ķēdi, to griežot vai lodējot.

Uzpildītais aukstumaģents ir jāiepilda pareizajos iztukšošanai paredzētajos cilindros. Lai iekārta tiktu uzskatīta par drošu, sistēma ir jāiztīra ar OFN. Šis process, iespējams, būs jāveic vairākkārt.

Šim nolūkam nedrīkst izmantot saspīestu gaisu vai skābekli.

Lai iztīrītu sistēmu, ir jāpārtrauc vakuuma stāvoklis, ievadot sistēmā OFN, līdz tiek sasniegts darba spiediens. Pēc tam gāze ir jāizvada atmosfērā un visbeidzot sistēmā ir jāatjauno vakuuma stāvoklis. Šis process ir jāatkārto, līdz sistēmā vairs nebūs aukstumaģenta.

Kad veicat pēdējo OFN uzpildi, sistēmā ir jārada atmosfēras spiedienam identisks spiediens, lai varētu veikt darbu. Šīs darbības ir obligāti jāveic, ja ir paredzēts lodēt caurules. Pārliecinieties, vai vakuumsūkņa izvade neatrodas nekādus aizdegšanās avotu tuvumā un ir pieejama ventilācija.

7.16. UZPILDES DARBĪBAS

Papildus parastajām uzpildes darbībām ir jāievēro arī tālāk aprakstītās prasības.

- Gādājiet, lai, lietojot uzpildes aprīkojumu, dažādi aukstumaģenti netiktu savstarpēji piesārņoti. Šļūtenēm vai caurulēm ir jābūt pēc iespējas īsākām, lai līdz minumam samazinātu tajās esošā aukstumaģenta tilpumu.
- Cilindriem ir jābūt novietotiem vertikāli.
- Pirms sistēmā uzpildīt aukstumaģentu, pārlicinieties, vai dzesēšanas sistēma ir zemēta.
- Pēc uzpildes marķējiet sistēmu (ja tas vēl nav izdarīts).
- Nekādā gadījumā nepārpildiet dzesēšanas sistēmu.
- Pirms sistēmas atkārtotas uzpildes ir jāpārbauda tās spiediens, izmantojot OFN. Pēc uzpildes (bet pirms nodošanas ekspluatācijā) ir jāpārbauda, vai sistēmā nav radusies noplūde. Vēlāk ir jāveic atkārtota noplūžu pārbaude.

7.17. EKSPLUATĀCIJAS PĀRTRAUKŠANA

Pirms šīs procedūras veikšanas ir būtiski pārlicināties, vai tehniķis pilnībā pārzina aprīkojumu. Ir ieteicams ievērot paraugpraksi, lai visi aukstumaģenti tiktu droši izvadīti. Pirms darba veikšanas ir jāpaņem eļļa un aukstumaģenta paraugs.

Šie paraugi var būt nepieciešami analīžu veikšanai pirms izvadītā aukstumaģenta atkārtotas lietošanas.

Pirms darba sākšanas ir jāpārlicinās, vai ir pieejams elektroenerģijas avots.

- Izpētiet aprīkojumu un tā darbību.
- Elektriski izolējiet sistēmu.
- Pirms procedūras sākuma pārlicinieties, vai:
 - ir pieejams aprīkojums mehānisku darbību veikšanai ar aukstumaģenta cilindriem (ja nepieciešams);
 - visi individuālie aizsardzības līdzekļi ir pieejami un tiek pareizi lietoti;
 - iztukšošanas procesu pastāvīgi uzrauga kompetenta persona;
 - iztukšošanas aprīkojums un cilindri atbilst piemērojamiem standartiem.
- Ja iespējams, iztukšojiet aukstumaģenta sistēmu.
- Ja nav iespējams radīt vakuumu, izveidojiet kolektoru, lai aukstumaģentu varētu izņemt no dažādām sistēmas daļām.
- Pirms iztukšošanas pārlicinieties, vai cilindrs atrodas uz svariem.
- Iedarbiniet iztukšošanas iekārtu un darbiniet to atbilstoši ražotāja norādījumiem.
- Nepārpildiet cilindrus (šķidrums nedrīkst pārsniegt 80%).
- Nepārsniedziet cilindra maksimālo darba spiedienu (pat īslaicīgi).
- Kad cilindri ir pareizi piepildīti un process ir pabeigts, gādājiet par to, lai cilindri un aprīkojums tiktu ātri pārvietoti no darba vietas un visi aprīkojuma izolācijas vārsti tiktu aizvērti.
- legūto aukstumaģentu drīkst uzpildīt citā dzesēšanas sistēmā tikai pēc tam, kad tas ir iztīrīts un pārbaudīts.

7.18. MARĶĒŠANA

Aprīkojums ir jāmarķē ar informāciju par to, ka tā ekspluatācija ir pārtraukta un no tā ir izņemts aukstumaģents. Uz marķējuma ir jānorāda datums un paraksts. Uz aprīkojuma ir jābūt marķējumam ar norādēm, ka aprīkojums satur uzliesmojošu aukstumaģentu.

7.19. IZTUKŠOŠANA

- Ja aukstumaģents ir jāizņem no sistēmas, jo jāveic apkope vai jāpārtrauc iekārtas ekspluatācija, ir ieteicams ievērot paraugpraksi, lai visi aukstumaģenti tiktu droši izvadīti.
- Ja pārvietojat aukstumaģentu cilindros, izmantojiet tikai atbilstošus aukstumaģenta sistēmas iztukšošanai paredzētus cilindrus. Gādājiet, lai būtu pieejams pareizs cilindru skaits, kas atbilst visam sistēmā uzpildītā aukstumaģenta tilpumam. Visiem cilindriem, ko paredzēts lietot, ir jābūt paredzētiem tieši tam aukstumaģentam, ko paredzēts izvadīt no sistēmas, un uz tiem jābūt šim aukstumaģentam atbilstošam marķējumam (cilindri, kas paredzēti tieši ar aukstumaģentu uzpildītas sistēmas iztukšošanai). Cilindriem ir jābūt aprīkoti ar spiedienizlīdzinošu vārstu un saistītiem aizvēršanas vārstiem labā darba kārtībā.
- Pirms iztukšošanas no tukšiem iztukšošanai paredzētiem cilindriem ir jāizsūknē gaiss un, ja iespējams, cilindri ir jāatvėsina.
- Iztukšošanai paredzētajam aprīkojumam ir jābūt labā darba kārtībā un aprīkoti ar norādījumu komplektu, kas attiecas uz pieejamo aprīkojumu, kā arī tiem ir jābūt piemērotiem uzliesmojošu aukstumaģentu iztukšošanai no sistēmas. Turklāt ir jābūt pieejamiem kalibrētiem svāriem labā darba kārtībā.
- Šļūtenēm ir jābūt aprīkotām ar atvienošanas savienojumiem, kuros nenotiek noplūdes un kuri ir labā stāvoklī. Pirms iztukšošanas iekārtas lietošanas pārbaudiet, vai tā ir apmierinošā darba kārtībā, ir pareizi apkopta un vai jebkādi saistītie elektriskie komponenti ir blīvēti, lai aukstumaģenta noplūdes gadījumā novērstu aizdegšanos. Ja jums ir šaubas, sazinieties ar ražotāju.
- legūtais aukstumaģents ir jāatgriež aukstumaģenta piegādātājam pareizajā iztukšošanai paredzētajā cilindrā, un ir jānodrošina atbilstošs atkritumu nodošanas dokuments. Nejauciet vairākus aukstumaģentus iztukšošanas ierīcēs un it īpaši cilindros.
- Ja ir jānoņem kompresori vai kompresoru eļļa, iztukšojiet tos līdz pietiekamam līmenim, lai uzliesmojošais aukstumaģents nepaliktu smērvielā. Iztukšošana ir jāveic pirms kompresora atgriešanas piegādātājam. Lai paātrinātu šo procesu, drīkst elektriski apsildīt tikai kompresora korpusu. Ja no sistēmas ir jāizplūšina eļļa, tas ir jā dara uzmanīgi.

7.20. IEKĀRTU PĀRVIETOŠANA, MARĶĒŠANA UN GLABĀŠANA

- Tāda aprīkojuma pārvietošana, kas satur uzliesmojošus aukstumaģentus
Atbilstība pārvietošanas noteikumiem.
- Aprīkojuma marķēšana ar zīmēm
Atbilstība vietējiem noteikumiem.
- Atbrīvošanās no tāda aprīkojuma, kas satur uzliesmojošus aukstumaģentus
Atbilstība valsts noteikumiem.
- Aprīkojuma/ierīču glabāšana
Aprīkojums jāglabā atbilstoši ražotāja norādījumiem.
- Iepakota (nepārdota) aprīkojuma glabāšana
Glabāšanai paredzēts iepakojums ir jāveido tā, lai iepakojumā esošā aprīkojuma mehāniski bojājumi neradītu uzpildītā aukstumaģenta noplūdi.
Maksimālo aprīkojuma vienību skaitu, ko drīkst glabāt kopā, nosaka vietējie noteikumi.

Dette produktet har blitt fastslått å samsvare med EU-direktivet for lavspenning (2014/35/EU) og EU-direktivet for elektromagnetisk kompatibilitet (2014/30/EU).



Korrekt avhending av produktet (avhending av elektrisk og elektronisk utstyr)

(Når klimaanlegget blir brukt i europeiske land, må disse retningslinjene følges.)

– Denne angivelsen på produktet eller tilhørende dokumentasjon indikerer at elektrisk og elektronisk utstyr (WEEE i henhold til direktiv 2012/19/EU) ikke skal blandes med vanlig husholdningsavfall. Det er forbudt å kaste dette apparatet i husholdningsavfall. For avfallshåndtering er det flere muligheter:

1. Kommunen har etablerte innsamlingssystemer, der elektronisk avfall kan kastes, ofte gratis for brukeren.
2. Når du kjøper et nytt produkt, vil forhandleren ta tilbake det gamle produktet, ofte uten ekstra kostnader.
3. Produsenten vil ta tilbake det gamle apparatet, ofte uten ekstra kostnader for brukeren.
4. Da gamle produkter ofte kan ha deler av verdi, kan de selges til skraphandlere. Deponering av avfall i skog og landskap kan være helsefarlig, når farlige stoffer lekker ut i grunnvannet og finner veien inn i næringskjeden.

Dette produktet inneholder fluorholdige gasser som omfattes av Kyoto-avtalen

Kjemisk navn på gass	R32
GWP-verdi (Global Warming Potential) for gass	675

⚠ FORSIKTIG

1. Lim inn den medfølgende kjøleetiketten ved siden av lade- og/eller gjenvinningsområdet.
2. Skriv den ladede kjølemiddelmengden tydelig på kjøleetiketten med merkeblekk.
3. Unngå utslipp av den fluorholdige gassen. Påse at den fluorholdige gassen aldri ventileres til atmosfæren ved installering, service eller avhending. Hvis det oppstår lekkasjer av den fluorholdige gassen, må lekkasjen stoppes og repareres så snart som mulig.
4. Kun kvalifisert personell har tillatelse til å åpne og vedlikeholde dette produktet.
5. Enhver håndtering av fluorholdig gass i dette produktet, for eksempel ved flytting av produktet eller for å lade gassen, skal skje i henhold til forordningsnr. (EF) 517/2014 om enkelte fluorholdige klimagasser og eventuelle andre relevante lokale forskrifter.
6. Hvis systemet er utstyrt med et system for påvisning av lekkasje, må det kontrolleres for lekkasjer minst hver 12. måned.
7. Det anbefales på det sterkeste at det føres register over foretatt lekkasjekontroll på enheten.

Innendørsenhet	Utendørsenhet	Nominell spenning og frekvens
42QHP09E8S*	38QHP09E8S*	220-240V~, 50Hz
42QHP12E8S*	38QHP12E8S*	

Produsenten forbeholder seg retten til å endre alle produktspesifikasjoner uten varsel.

INNHold

1. FORBEREDNING TIL INSTALLASJON	3
1.1 Forholdsregler for sikkerhet	3
1.2 Tilbehør	5
1.3 Valg av installasjonssted	6
2. INSTALLERING AV INNENDØRSENHET	7
2.1 Monteringsplate for innendørsenhet	7
2.2 Installasjonsprosess	8
3. INSTALLERING AV UTENDØRSENHET	9
3.1 Monteringsdimensjoner for utendørsenhet	9
3.2 Plasskrav for utendørsenhet	9
3.3 Tilkobling av ledninger utendørs	10
3.4 Installere utendørsenheten	10
3.5 Installere dreneringsrør for utendørsenhet	10
4. KJØLERØRARBEID	11
4.1 Fakling	11
4.2 Rørarbeid	11
4.3 Kjølerør	12
4.4 Luftutslipp	12
4.5 Lekkasjetest	12
5. KABLING	13
6. SLUTTKONTROLL OG TESTDRIFT	14
6.1 Sjekkliste for sluttkontroll	14
6.2 Manuell betjening.....	14
6.3 Testdrift	14
7. INFORMASJON OM SERVICE	15



Forsiktig: Faren for brann for R32/R290 kun kjølemiddel

1.1 FORHOLDSREGLER FOR SIKKERHET

- Å installere, starte opp og vedlikeholde klimaanleggutstyr kan være farlig på grunn av trykk i systemet, elektriske komponenter og utstyrets plassering (tak, hevede strukturer osv.).
- Kun opplærte, kvalifiserte montører og servicemekanikere skal installere, idriftsette og vedlikeholde dette utstyret.
- Under arbeid på utstyret må forholdsreglene i dokumentasjonen og på etiketter, klistremerker og merker som er festet til utstyret, etterfølges.
- Følg alle sikkerhetsregler. Bruk vernebriller og arbeidshansker. Ha brannteppe og brannslukningsapparat i nærheten under loding. Utvis forsiktighet under håndtering, klargjøring og installasjon av uhåndterlig utstyr.
- Les disse instruksjonene nøye, og følg alle advarsler og forsiktighetsvarsler som er inkludert i dokumentasjonen og festet til enheten. Konsulter med lokale byggeforskrifter og nasjonale elektriske forskrifter for spesielle krav.

⚠ ADVARSEL

Dette symbolet indikerer fare for personskade eller tap av liv.

- **Kjølegass er tyngre enn luft og fortrenger oksygen. En større lekkasje kan føre til oksygenmangel, spesielt i kjellere, og kvelningsfare kan oppstå og føre til alvorlig skade eller død.**
- **Når klimaanlegget er installert i et lite område, må hensiktsmessige tiltak iverksettes for å sikre at konsentrasjonen av lekket kjølegass som kan oppstå i rommet, ikke overskrider kritisk nivå.**
- **Hvis kjølegasslekkasjer oppstår under installering, skal du ventilere området.**
Kjølegass kan produsere en giftig gass hvis det kommer i kontakt med ild, for eksempel fra en varmevifte, komfyr eller kokeenhet. Eksponering for denne gassen kan føre til alvorlig skade eller død.
- **Koble fra strømkilden før du utfører elektrisk arbeid. Koble til tilkoblingskabelen på korrekt måte.**
Feilaktig tilkobling kan føre til skade på elektriske deler.
- **Bruk de angitte kablene for elektriske tilkoblinger, og fest ledningene godt til koblingselementene i rekkeklemmen slik at det ikke utøves eksternt press på klemmen.**
- **Sørg for jording.**
Må ikke jordes til gassrør, lyktestolper eller telefonledninger. Ufullstendig jording kan føre til alvorlig støffare, som kan føre til skade eller død.
- **Sørg for sikker avhending av emballasjemateriell.**
Emballasjemateriell, f.eks. spiker og andre metall- eller tredeler, kan forårsake stikk eller andre skader. Riv plastposene fra hverandre og kast dem slik at barn ikke kan leke med dem. Barn som leker med plastposer, kan utsettes for kvelningsfare.
- **Ikke installer enheten i nærheten av områder med konsentrasjoner av antennelig gass eller gassdamp.**
- **Bruk medfølgende eller nøyaktig spesifiserte installasjonsdeler.**
Bruk av andre deler kan føre til dårligere ytelse, vannlekkasje, elektrisk støt, brann eller skade på utstyret.
- **Når du installerer eller flytter systemet, må du ikke la luft eller andre stoffer, bortsett fra den spesifiserte kjølevæsken (R410A), komme inn i kjølesyklusen.**
- **Denne enheten må ikke endres ved å fjerne noen av sikkerhetsvernene eller omgå noen av sikkerhetssperrebryterne.**
- **Elektrisk arbeid skal utføres i henhold til installasjonshåndboken og nasjonale, statlige og lokale forskrifter for elektrisk kabling.**

⚠ ADVARSEL

- **Bruk en dedikert strømkrets. Aldri del strømuttak med andre apparater.**
- **For å unngå fare fra utilsiktet tilbakestilling av den termiske utkoblingsenheten må dette apparatet aldri forsynes via en ekstern vekslingsenhet, for eksempel en tidsbryter, og må ikke kobles til en krets som blir regelmessig slått av og på av kraftselskapet.**
- **Bruk de angitte kablene for elektrisk kobling med isolasjon beskyttet av isolasjonshylse med korrekt temperaturklassifisering.**
Ikke-samsvarende kabler kan forårsake elektriske lekkasjer, uregelmessig varmeproduksjon eller brann.
- **Ikke påskynd avsningsprosessen eller rengjør på annen måte enn det som er anbefalt av produsenten.**
- **Enheten skal oppbevares i et rom uten kontinuerlig drift av antenneskilder (for eksempel: åpne flammer og bruk av gassdrevne apparater eller elektrisk varmeapparat).**
- **Ikke perforer eller brenn.**
- **Vær oppmerksom på at kjølemidler kan være luktfrie.**
- **Enheten skal oppbevares i et godt ventilert område der romstørrelsen tilsvarer romstørrelsen som er spesifisert for drift.**
- **For modeller som bruker R32-kjølemiddel:**
Enheden skal installeres, drives og oppbevares i et rom med større gulvareal enn 4 m².
Enheden skal ikke installeres på et sted uten ventilasjon hvis dette har et areal som er mindre enn 4 m².
- **For modeller som bruker R290-kjølemiddel, er minimum romareal som følger:**
≤9000 btu/t-enheter: 13 m²
> 9000 btu/t- og ≤12 000 btu/t-enheter: 17 m²
> 12 000 btu/t- og ≤18 000 btu/t-enheter: 26 m²
> 18 000 btu/t- og ≤24 000 btu/t-enheter: 35 m²

⚠ FORSIKTIG

Dette symbolet indikerer mulighet for skade på eiendom eller alvorlige konsekvenser.

- **For å unngå personskade må du være forsiktig når du skal håndtere deler med skarpe kanter.**
- **Ikke installer innendørs- eller utendørsenheter på steder med spesielle miljøforhold.**
- **Ikke installer på et sted som kan forsterke enhetens støynivå eller steder der støy og luftstrøm kan forstyrre naboer.**
- **Utfør drenering/rørarbeid på en sikker måte i henhold til installasjonshåndboken.**
Feilaktig dreneringsrørlegging kan føre til vannlekkasje og skade på eiendom.
- **Ikke monter klimaanlegget på følgende steder.**
 - Steder der det finnes mineralolje eller arsenikksyre.
 - Steder der etsende gasser (for eksempel svovelsyring-gass) eller lettantennelig gass (for eksempel tyner) kan samles opp, eller der flyktige, brennbare stoffer behandles.
 - Steder der det finnes utstyr som genererer elektromagnetiske felt eller harmoniske oversvingninger i høy frekvens.
- **Apparatet skal oppbevares slik at det ikke oppstår mekanisk skade.**
- **Enhver person som er involvert i arbeid på eller som åpner en kjølemiddelkrets, må ha et gyldig sertifikat fra en bransjeakkreditert vurderingsmyndighet, som sertifiseres vedkommendes kompetanse til å håndtere kjølemidler på en trygg måte i samsvar med en bransjeanerkjent vurderingsspesifikasjon.**

1.2 TILBEHØR

Følgende tilbehør følger med enheten. Type og mengde kan variere avhengig av spesifikasjonene.

Navn på tilbehør	Ant. (stk.)	Form	Navn på tilbehør	Ant. (stk.)	Form
Håndbok	3		Fjernkontroll	1	
Avløp	1		Batteri	2	
Pakning	1		Fjernkontrollholder	1	
Monteringsplate	1		Skrue B	2	
Forankring	5		Lite filter	1	
Skrue A	5		Magnetisk ring (noen enheter)	N*	

*betyr i henhold til faktisk antall

1.3 VALG AV INSTALLASJONSSTED

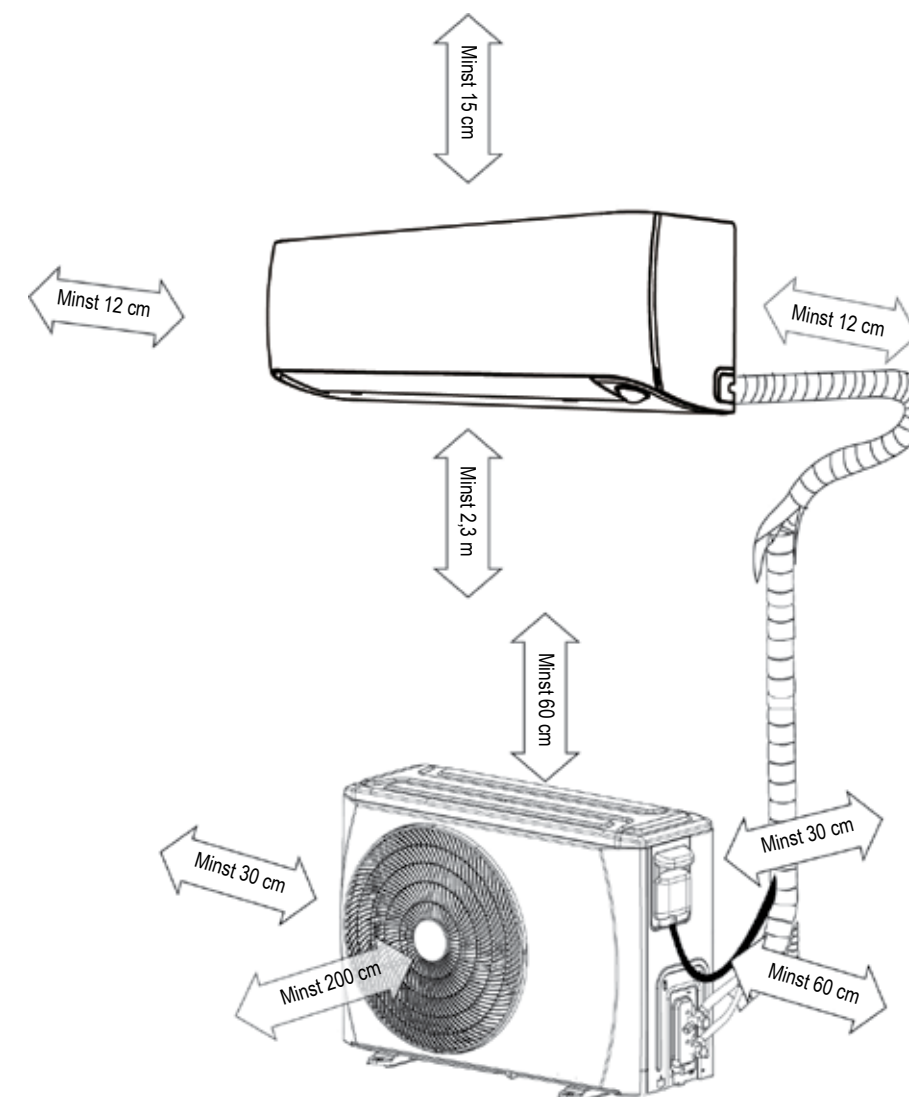
Innendørsenhet

- Stedet må kunne bære vekten av innendørsenheten.
- Ikke installer innendørsenheter i nærheten av direkte varmekilder, som direkte sollys eller et varmeapparat.
- Stedet må ha korrekte klaringer iht. figuren nedenfor.
- Bevegelige deler i apparatet må installeres/plasseres minst 2,3 m over gulvnivå.

Utendørsenhet

- Stedet må være egnet for installasjon og ikke utsatt for sterk vind. Hvis enheten er utsatt for sterk vind, anbefaler vi å bruke en vindledeplate.
- Stedet må kunne bære vekten av utendørsenheten og tillate at utendørsenheten monteres i vater.
- Stedet må ha korrekte klaringer iht. figuren nedenfor.

Ikke installer innendørs- eller utendørsenheter på steder med spesielle miljøforhold. Sjekk at det er nok plass for installering og vedlikehold.



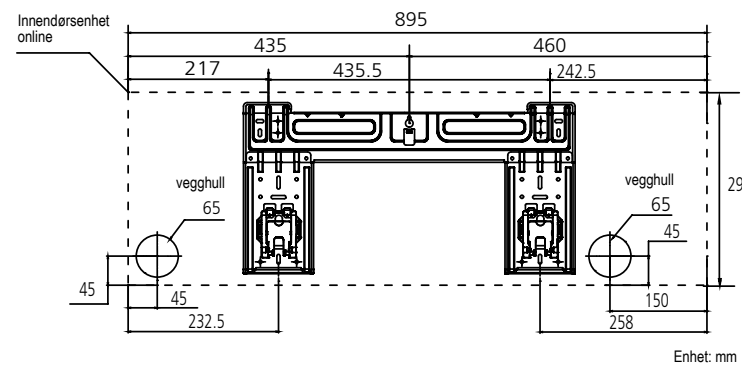
Merk: Sørg for fri avstand fra vegg, tak, gjerde eller andre hindringer som angitt med piler.

Det er mulig å legge rør i bakre, venstre, venstre bakre og høyre retning.

Tett til det ubrukte avløpshullet med gummipluggen som følger med.

Skjær ut utstansingen i henhold til rørstørrelsen. utstansing

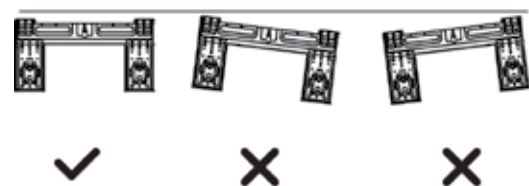
2.1 MONTERINGSPLATE FOR INNENDØRSENHET



Merk: Når tilkoblingsrøret på gassiden er Ø 16 mm eller større, skal rørhullet skal være 90 mm.

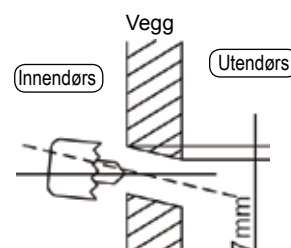
■ Installere monteringsplate

Fest monteringsplaten horisontalt og jevnt på veggen med fem eller flere A-type skruer.



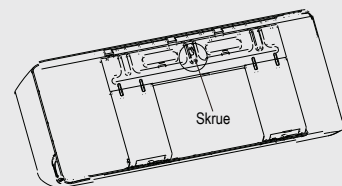
■ Bore hull i vegg

Bor et hull på 65 mm eller 90 mm (avhengig av modell) i vegg, svakt skrånende mot utsiden.



Merk:

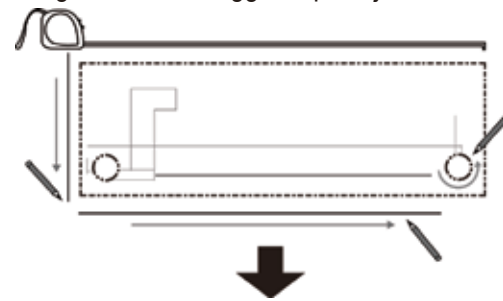
■ Monteringsplaten er festet med en skruer for sikring under transport. Fjern skruen før installering. (se figur)



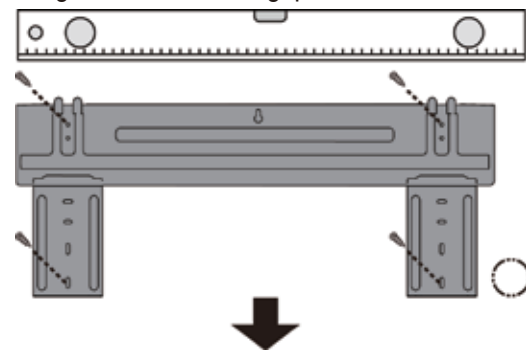
■ Monteringsplaten vil se ut som en av figurene, avhengig av enhetens størrelse. Hullene for festeankere skal være 5 mm.

2.2 INSTALLASJONSPROSESS

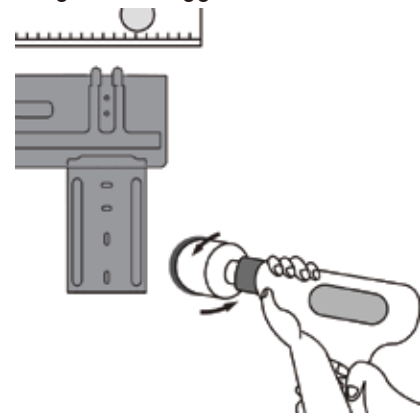
Steg 1: Bestem vegg hullsposisjon



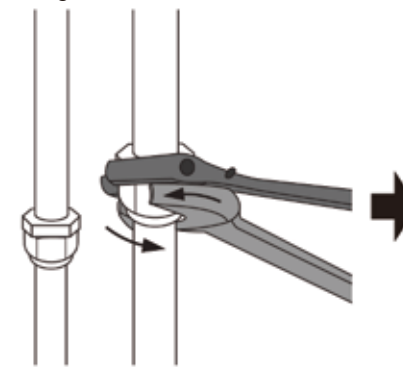
Steg 2: Fest monteringsplate



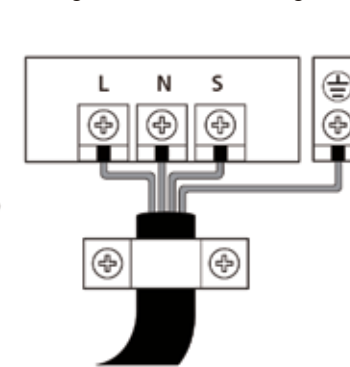
Steg 3: Bor vegg hull



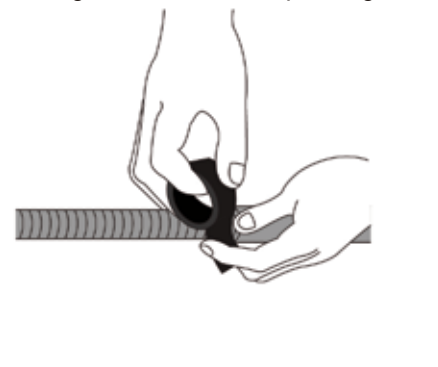
Steg 4: Koble til rør



Steg 5: Koble til ledning



Steg 6: Forbered avløpsslangen



Steg 8: Heng opp innendørsenhet

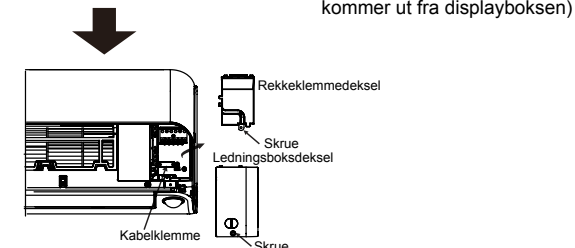
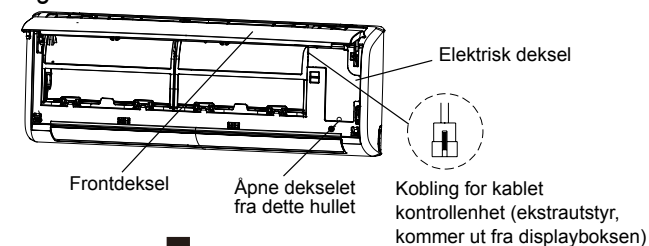


Steg 7: Pakk inn rør og kabel



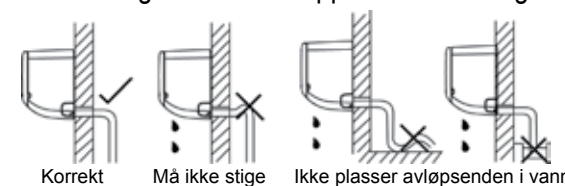
■ Tilkobling av ledning innendørs

1. Løft frontdekselet på innendørsenheten.
2. Åpne innendørsenhetens elektriske deksel med en skrutrekker gjennom hullet, fjern terminalblokkdekslet for hånd og fjern kabelklemmen ved å løsne skruene.
3. Passer ledningene fra baksiden av innendørsenheten, og koble dem til terminalblokken for innendørsbruk.



■ Drenering

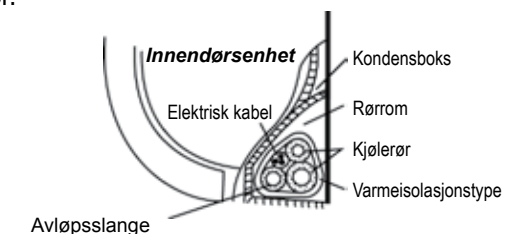
Avløpslinjen må ikke ha en klemme noe sted, må lene nedover og må isoleres opp til den utvendige vegg.



■ Pakk inn røret

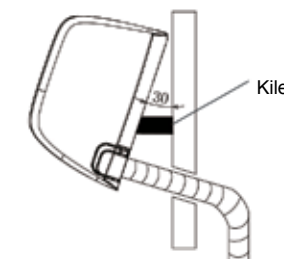
Se figuren nedenfor for riktig plassering av kulderør, elektrisk kabel og avløpsrør:

- Plasser avløpsslangen under kjølerørene.
- Påse at avløpsslangen ikke er hevet eller ligger i slynger.



■ Henge opp innendørsenheten

1. Før kjølelinjer gjennom hullet i vegg.
2. Heng innendørsenheten på den øvre kroken på monteringsplaten, og skyv nedre del av innendørsenheten opp på veggen på den nedre kroken.
3. Beveg innendørsenheten fra side til side, opp og ned for å kontrollere at den er hengt opp på en sikker måte.



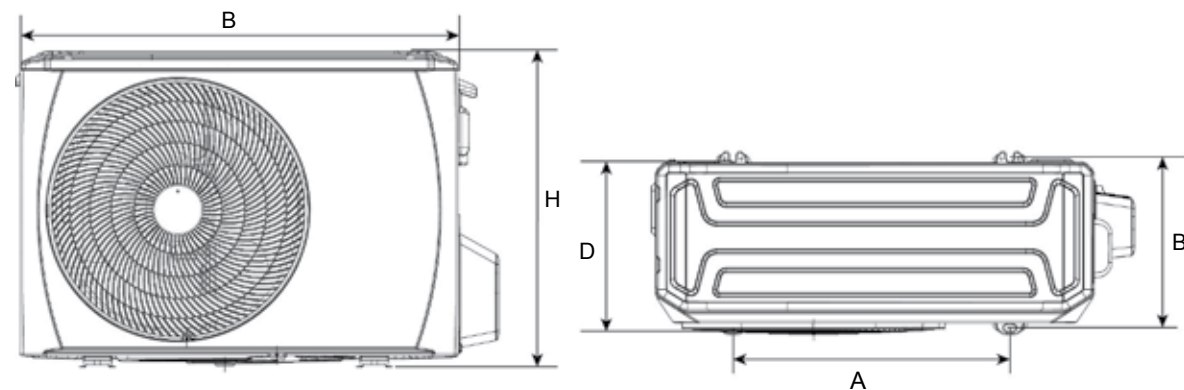
⚠ FORSIKTIG

- Kontaktdelene til koblingsrøret må plasseres på utsiden av rommet.

3. INSTALLASJON AV UTENDØRSENHET

3.1 MONTERINGSDIMENSJONER FOR UTENDØRSENHET

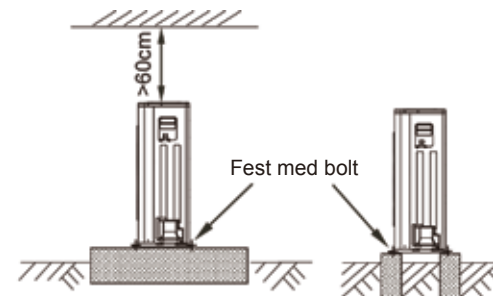
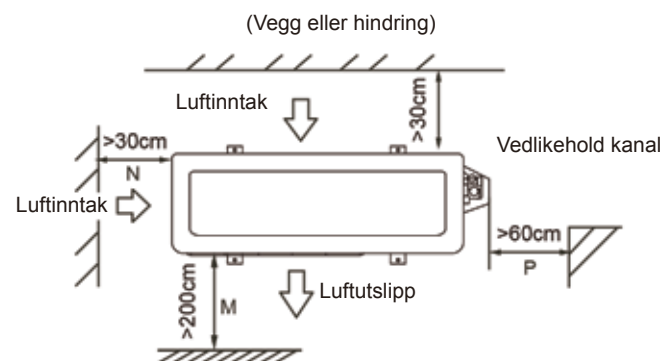
Monteringsdimensjoner varierer for forskjellige utendørsenheter.
Festboltens hodediameter bør være mer enn 12 mm.



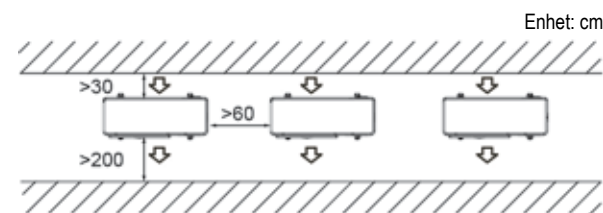
Dimensjoner for utendørsenhet (mm)			Monteringsdimensjoner (mm)		
Utendørs enhet	B	H	D	A	B
38QHP09E8S 38QHP12E8S	800	554	333	515	340

3.2 PLASSBEHOV, UTENDØRS

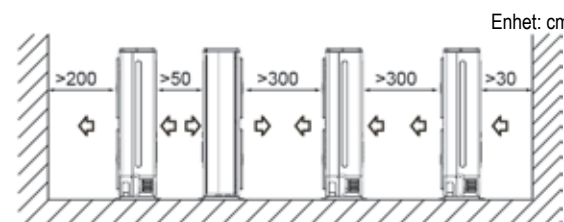
Installasjon av enkel enhet



Parallellkoble to eller flere enheter



Parallellkoble front- med baksider



⚠ FORSIKTIG

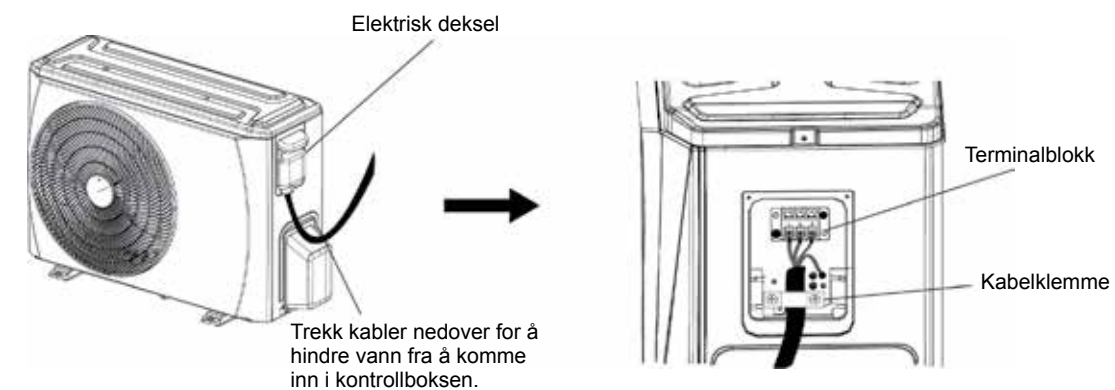
- I områder med snø og lave temperaturer skal utendørsenheten ikke installeres på et sted hvor den kan bli dekket av snø. Hvis kraftig snøfall ventes, bør det installeres et medfølgende is- eller snøstativ og/eller en vindledeplate for å beskytte enheten mot snø og/eller blokkert luftinntak.

3. INSTALLASJON AV UTENDØRSENHET



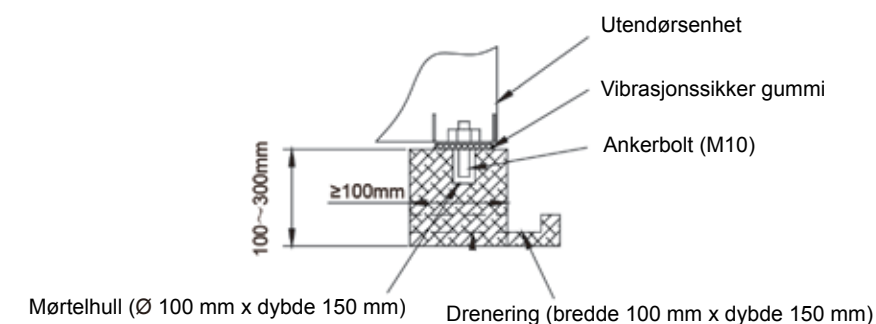
3.3 TILKOBLING AV LEDNING UTENDØRS

- Fjern det elektriske dekslet og kabelklemmen ved å løsne skruene.
- Koble ledningene til utendørsterminalblokken i samme sekvens som for innendørsenheten.



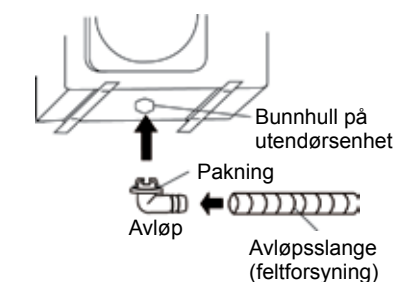
3.4 INSTALLER UTENDØRSENHETEN

- Før installering må det kontrolleres at basen er sterk og i vater, slik at det ikke oppstår unormal støy.
- Fest basen godt med ankerbolter (M10) for å hindre at den faller sammen.
- Installer fundamentet og vibrasjonshemmende gummi på undersiden av støttebenet som er i kontakt med utendørsenhetens underside.



3.5 INSTALLER AVLØPSRØR FOR UTENDØRSENHET

- Koble en forlengelsesavløpslange til avløpet.
- Monter pakningen på avløpet.
- Sett avløpet i bunnhullet på utendørsenheten og roter 90 grader for å feste dem godt.



⚠ FORSIKTIG

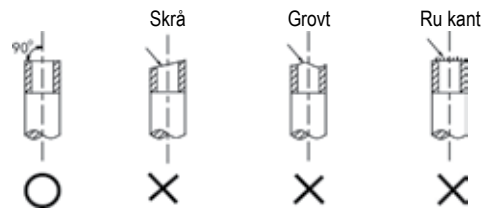
- Kontroller at høydeforskjellen mellom innendørsenheten og utendørsenheten samt kjølerørens samlede lengde oppfyller systemkravene.
- Kjølerørarbeid skal foretas etter installasjon av innendørs- og utendørsenheter. Koble til røret på innendørssiden først, og deretter på utendørssiden.
- Hold alltid enden av slangen forseglet ved å plassere en hette over den eller dekke den med tape under installasjonen, og IKKE fjern hetten/tapen før du er klar til å koble til rørene.
- Alle feltrør må isoleres hele veien til rørtilkoblingen inne i enheten. Utildekkede rør kan forårsake kondens eller brannskader ved berøring.
- Hvis utendørsenheten er i øverste posisjon og nivåforskjellen er over 10 m, anbefales det å plassere en oljereturbøy for hver 5.–8. meter i gassrøret. Radius på oljereturbøy skal være mer enn 10 cm.

4.1 FAKLING

MERK

- Verktøy som kreves for fakling, er rørkutter, brotsj, faklevertøy og rørholder.
- Ved R32-kjølemiddelmodeller, må rørkoblingspunktene plasseres på utsiden av rommet.

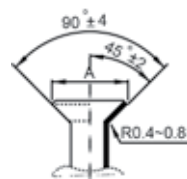
- 4.1.1 Bruk en rørkutter til å kutte røret til ønsket lengde. Sørg for at den avskårne kanten har 90° vinkel til siden av røret.



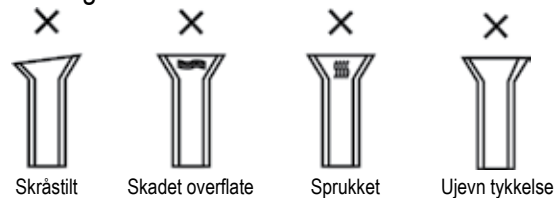
- 4.1.2 Bruk en brotsj til å fjerne ru kanter med skjæreflatten ned, slik at det ikke kommer inn fliser i røret.

- 4.1.3 Utfør faklingsarbeidet med faklevertøy som beskrevet nedenfor.

Utvendig diameter	A (mm)	
	Maks.	Min.
Ø 6,35 mm	8,7	8,3
Ø 9,52 mm	12,4	12,0
Ø 12,7 mm	15,8	15,4
Ø 15,88 mm	19,0	18,6
Ø 19,05 mm	23,3	22,9



- 4.1.4 Kontroller at faklingen korrekt. Se eksempler på feilaktig faklede rør under.

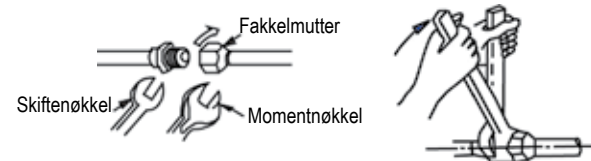


⚠ FORSIKTIG

- Hvis slaglodding er nødvendig, skal det brukes nitrogengass.
- Feil tiltrekkingsmoment vil forårsake faklingskader eller gasslekkasje.

4.2 RØRARBEID

- 4.2.1 Innrett sentrum for rørene for å stramme fakkelmutteren, og koble til ved hjelp av to skiftenøkler.



Rørstørrelse	Tiltrekkingsmoment
Ø 6,35 mm	18–20 Nm
Ø 9,52 mm	25–26 Nm
Ø 12,7 mm	35–36 Nm
Ø 15,88 mm	45–47 Nm
Ø 19,05 mm	65–67 Nm

- 4.2.2 Bruk egnet isolasjonsmateriale for kjølemiddelrør (min. 10 mm, termisk isolerende skum C).

- Bruk separate varmeisoleringsrør for gass- og væskerør.
- Tykkelsen ovenfor er standard for innendørs temperatur på 27 °C og fuktighet på 80 %. Hvis du installerer under vanskelige forhold som i nærheten av bad, kjøkken og lignende steder, må du forsterke isolasjonen.
- Isolasjonen må tåle temperaturer på over 120 °C.
- Bruk lim på tilkoblingsdelen av isolasjonen for å hindre inntrengning av fukt.
- Reparer og dekk over eventuelle sprekker i isolasjonen, vær spesielt nøye ved kontroll av den bøyde delen og røropphenget.

4.3 KJØLERØR

Merk: Kjølemidlet skal ikke lades fra serviceporten på lavtrykkventilen til utendørsenheten.

	Minimum lengde for å redusere unormal vibrasjon og lyd	Ladefri lengde	Ekstra lading per meter	
			Væskeside: Ø 6,35 mm	Væskeside: Ø 9,52 mm
R32*	3 m	5 m	12 g	24 g

* Bruk verktøy for R32-system.

MERK

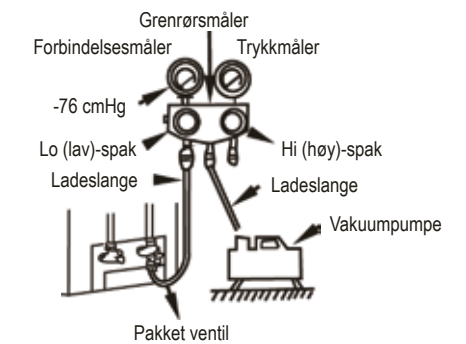
- Utvidet rørlengde vil påvirke enhetens kapasitet og energieffektivitet.
- Den nominelle effektiviteten er testet basert på en rørlengde på 5 meter.
- Når rørlengden er større enn 5 meter, må ytterligere kjølemiddel tilsettes i samsvar med rørlengden.
- Maks. anbefalt rørlengde er oppgitt nedenfor.

Modeller	R32-omformer	
	Maks. rørlengde (m)	Maks. høydeforskjell (m)
9K/12K	25	10

* Bruk verktøy for R32-system.

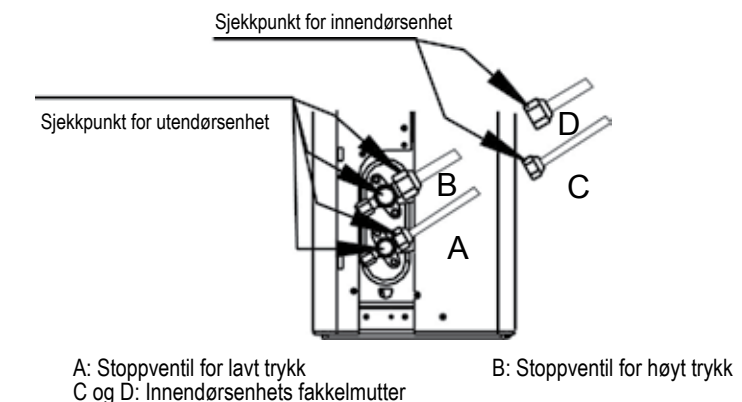
4.4 LUFTUTSLIPP

- Koble ladeslangen fra grenrørsmåleren til serviceporten til den pakke ventil på gassiden.
- Koble ladeslangen til porten på vakuumpumpen.
- Åpne grenrørsmålerens Lo (lav)-spak helt.
- Betjen vakuumpumpen for å fjerne luft fra systemet inntil -76 cmHg.
- Lukk grenrørsmålerens Lo (lav)-spak.
- Åpne ventilstammen for de pakke ventilene helt.
- Fjern ladeslangen fra serviceporten.
- Stram til hettene på de pakke ventilene.



4.5 LEKKASJETEST

Når rørarbeidet er fullført, må du kontrollere tilkoblingsdelene til hvert enkelt kjølerør, og bekrefte at det ikke er noen gasslekkasje ved å bruke såpevann, eller ved hjelp av en lekkasjedetektor egnet for HFK-kjølevæsker. Se bildet nedenfor for illustrasjon.



FORSIKTIG

- Alle elektriske tilkoblinger må utføres av kvalifiserte montører, og alle kabler skal tilkobles i henhold til koblings skjemaet.
- Koble til jordingen før alle andre elektriske koblinger.
- Alle strømkilder må slås av før arbeid på kablingen, og ikke slås på igjen før all kabling har blitt kontrollert.
- En hovedbryter og en effektbryter eller sikring må være installert. Kapasiteten skal være over 1,5 ganger maksimal strøm i kretsen.
- Dette apparatet må brukes i en separat strømkrets og kobles til strømuttak uten andre enheter tilkoblet.
- Kabeltverrsnittet avhenger av nominell spenning og nasjonale, statlige og lokale elektriske forskrifter. Konsulter med lokale byggeforskrifter og nasjonale elektriske forskrifter for spesielle krav.
- Hvis strømledningen er skadet, må den skiftes ut av produsenten, forhandleren eller tilsvarende kvalifisert personell for å unngå fare.
- Enheten må kobles til nettstrømmen med en effektbryter eller bryter med kontaktavstand på minst 3 mm mellom polene. Installasjon av en jordfeilbryter (RCD) med en nominell reststrøm som ikke overstiger 30 mA anbefales.
- Dette apparatet er utstyrt med en jordtilkobling.

Nominell strømstyrke for de ulike modellene

Modell	Nominell strømstyrke (A)	Sikringsklasse (A)	Strøminngangsledning (med min. tverrsnitt)	Tilkoblingskabel (med min. tverrsnitt)
38QHP09E8S	10,0	16	3*1,5 mm ²	5*1,5 mm ²
38QHP12E8S	13,0	20	3*1,5 mm ²	5*1,5 mm ²

MERK:

1. Alle elektriske ledninger må være dimensjonert i samsvar med nasjonale, statlige og lokale elektriske forskrifter. Konsulter med lokale byggeforskrifter og nasjonale elektriske forskrifter for spesielle krav.
2. Utendørs strømledning og sammenkoblende kabeltype bør være H07RN-F.
3. Nominell strøm for apparatet er angitt på navneskiltet.
4. Spesifikasjonen som gjelder sikring på utendørsenheden, er T20A/250VAC (gjelder kun enheter med R32-kjølemiddel) Merk: Sikringen er laget av keramikk.



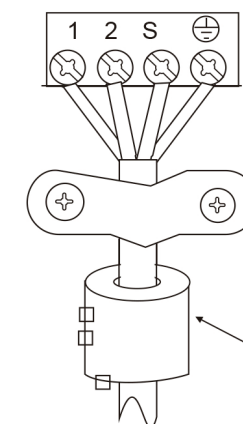
Koblings skjema

Modell	Innendørs enhet	Utendørs enhet
QHP09 QHP12		

Montering av magnetisk ring

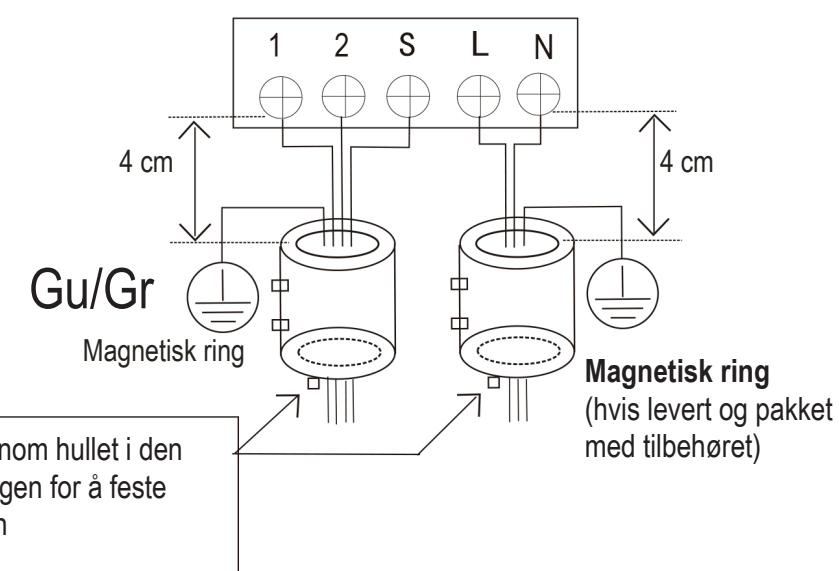
Merk: Terminalblokken kan være ulik på ulike modeller.

Innendørs enhet



Magnetisk ring
(hvis levert og pakket med tilbehøret)
Før beltet gjennom hullet i den magnetiske ringen for å feste den på kablen

Utendørs enhet

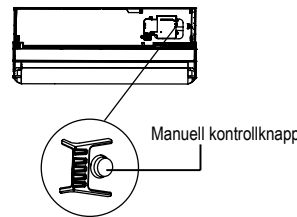


6. SLUTTKONTROLL OG TESTDRIFT

6.1 SJEKKLISTE FOR SLUTTKONTROLL

For å fullføre installasjonen må du utføre følgende kontroller før testdrift.

- Kontroller installasjonsstedets styrke både på innendørs- og utendørssiden, og bekreft det ikke finnes hindringer for enhetens luftuttaket eller retur.
- Kontroller at kjølerørkoblingene er strammet til og at det ikke er noen lekkasjer.
- Kontroller at tilkobling av elektriske ledninger er korrekt foretatt og enheten er jordet.
- Kontroller den totale rørlengden og noter volumet på det ladede kjølemiddelet.
- Kontroller at strømforsyningen er i samsvar med klimaanleggets nominelle spenning.
- Kontroller rørisolasjonen.
- Kontroller drenering.



6.2 MANUELL DRIFT

Manuell drift kan utføres ved å trykke på Manual-knappen

Trykk på Manual-knappen gjentatte ganger for å endre modus, slik det beskrives nedenfor:

- En gang = AUTO-modus [varme, kjøling eller vifte, 24° C og automatisk viftehastighet]
- To ganger = COOLING-modus [bytt til AUTO-modus etter 30 minutter (brukes hovedsakelig testdrift)]
- Tre ganger = OFF

6.3 TESTDRIFT

Still inn klimaanlegget under COOLING-modus med fjernkontrollen (eller manual-knappen), og sjekk driftsstatus for både innendørs- og utendørsenhet. Eventuelle feil kan løses ved å referere til kapittelet «Feilsøking» i Servicehåndboken.

Innendørsenhet

- Kontroller at knappene (f.eks. ON/OFF, MODE, TEMPERATURE, FAN SPEED osv.) på fjernkontrollen fungerer korrekt
- Kontroller at spjeldet beveger seg normalt
- Kontroller at romtemperaturen blir korrekt justert
- Kontroller at indikatorlampene på displaypanelet er normale
- Kontroller at Manual-knappen fungerer korrekt
- Kontroller at dreneringen er normal
- Kontroller om det finnes vibrasjon eller unormal støy under bruk
- Kontroller at innendørsenheten fungerer korrekt både i COOLING- og HEATING-modus.

Utendørsenhet

- Kontroller om det finnes vibrasjon eller unormal støy under bruk
- Kontroller om klimaanlegget skaper luftstrøm, støy eller kondensvann som forstyrrer naboene
- Kontroller om det finnes kjølemiddellekkasje

⚠ FORSIKTIG

- Når enheten startes på nytt, vil det være en forsinkelse på ca. 3 minutter for å beskytte kompressoren.

7. INFORMASJON OM SERVICE

7.1 KONTROLL AV OMRÅDET

Før du starter arbeid på systemer som inneholder brennbare kjølemidler, må det foretas sikkerhetskontroller for å sikre at antennesrisikoen minimeres. Ved reparasjon av kjølesystemet skal følgende forholdsregler tas før det utføres arbeid på systemet.

7.2 ARBEIDSPROSEDYRE

Arbeid skal utføres iht. en kontrollert prosedyre for å minimere risikoen for tilstedeværelse av brennbar gass eller damp mens arbeidet utføres.

7.3 GENERELT ARBEIDSSOMRÅDE

Alt vedlikeholdspersonell og andre som jobber i nærheten, skal informeres om arbeidet som foretas. Arbeid i trange rom skal unngås. Området rundt arbeidsområdet skal sperres av. Påse at forholdene i området er sikre, og sjekk for brennbart materiale.

7.4 SJEKK TILSTEDEVÆRELSE AV KJØLEMIDDEL

Området skal kontrolleres med en egnet kjølemiddeldetektor før og under arbeid, for å sikre at teknikeren er klar over potensielt brennbare atmosfærer. Påse at lekkasjepåvisningsutstyret som brukes, er egnet for bruk med brennbare kjølemidler, dvs. ingen gnistdannelse, tilstrekkelig forseglet eller egensikkert.

7.5 TILSTEDEVÆRELSE AV BRANNSLOKKINGSAPPARAT

Hvis det skal utføres sveisearbeid på kjøleutstyret eller eventuelle tilknyttede deler, skal egnet brannslukningsutstyr skal være tilgjengelig. Pulver- eller CO₂-brannslukningsapparat skal finnes ved siden av ladeområdet.

7.6 INGEN ANTENNELSESKILDER

Personer som utfører arbeid på eller knyttet til et kjølesystem som innebærer avdekking av rør som inneholder eller har inneholdt brennbart kjølemiddel, skal ikke bruke antenneskilder på en slik måte at det kan medføre risiko for brann eller eksplosjon. Alle mulige antenneskilder, inkludert røyking, skal holdes på tilstrekkelig avstand fra stedet hvor installasjon, reparasjon, demontering og avhending foretas, da brennbart kjølemiddel kan frigjøres i luften i området. Før det utføres arbeid, skal området rundt utstyret skal undersøkes for å sikre for at det ikke finnes brannfare eller antennesrisiko. Skilt med «RØYKING FORBUDT» skal være synlige.

7.7 VENTILERT OMRÅDE

Åpning av systemet samt utføring av sveisearbeid må skje under åpen himmel eller med tilstrekkelig ventilasjon. Det må finnes ventilasjon mens arbeid utføres. Ventilasjonen bør spre ev. kjølemiddel som slipper ut, på en sikker måte og fortrinnsvis drive den ut i atmosfæren.

7.8 KONTROLL AV KJØLEUTSTYR

Ved utskifting av elektriske komponenter skal disse være egnet for formålet og til korrekt spesifikasjon. Produsentens retningslinjer for vedlikehold og service skal alltid følges. Om du er i tvil, kontakt produsentens tekniske avdeling for å få hjelp. Følgende sjekker skal foretas for installasjoner som bruker brennbare kjølemidler:

- ladestørrelsen skal være i samsvar med størrelsen på rommet der delene som bruker kjølemiddel, er installert
- ventilasjonsmaskineriet og -uttak skal fungere tilfredsstillende og skal være uten hindringer
- hvis det brukes en indirekte kjølekrets, skal de sekundære kretsene skal kontrolleres for tilstedeværelse av kjølemiddel, og merking av utstyret skal være synlig og leselig
- merking og skilt som er uleselige, skal korrigeres
- kjølerør eller komponenter skal være installert i en posisjon der de blir sannsynligvis ikke utsatt for stoffer som kan korrodere komponenter som inneholder kjølemiddel, med mindre komponentene er laget av materialer som er motstandsdyktige mot korrosjon eller hensiktsmessig beskyttet mot korrosjon

7.9 KONTROLL AV ELEKTRISK UTSTYR

Reparasjon og vedlikehold av elektriske komponenter skal omfatte sikkerhetskontroller og prosedyrer for komponentinspeksjon. Hvis det oppdages en feil som kan kompromittere sikkerheten, skal kretsen ikke gjøres strømførende før feilen har blitt utbedret. Hvis feilen ikke kan utbedres umiddelbart, men det likevel er nødvendig å fortsette driften, skal en tilfredsstillende midlertidig løsning benyttes. Dette skal rapporteres til eieren av utstyret, slik at alle parter er informert.

Innledende sikkerhetssjekker skal omfatte:

- at kondensatorer er uladet: dette skal gjøres på en trygg måte for å hindre mulighet for gnistdannelse
- at ingen strømførende komponenter og ledninger blir eksponert under lading, gjenvinning eller rensing av systemet
- at det er kontinuerlig jording

7.10 REPARASJON AV FORSEGLEDE KOMPONENTER

- 10.1 Ved reparasjon av forseglede komponenter, skal strømtilførsel kobles fra utstyret som det arbeides på, før forseglende deksler osv. fjernes. Hvis det er helt nødvendig å ha strømtilførsel til utstyret mens vedlikeholdsarbeidet pågår, skal en permanent form for lekkasjepåvisning plasseres ved de mest kritiske punktene for å varsle om potensielt farlige situasjoner.
- 10.2 Ved arbeid på elektriske komponenter skal det vises spesiell oppmerksomhet til å sikre at huset ikke endres på en slik måte at beskyttelsesnivået blir berørt. Dette skal omfatte skade på kabler, for høyt antall tilkoblinger, terminaler som ikke er i samsvar med opprinnelig spesifisering, skade på forseglinger, feil montering av nipler osv.
- Påse at apparatet er korrekt montert.
 - Påse at pakninger eller forseglende materialer ikke har blitt forringet slik at de ikke lenger hindrer inntrenging av brennbare atmosfærer. Erstatningsdeler skal være i samsvar med produsentens spesifiseringer.

MERK: Bruk av silikontetningsmiddel kan hemme effektiviteten av enkelte typer lekkasjepåvisningsutstyr. Egensikre komponenter behøver ikke isoleres før det utføres arbeid på dem.

7.11 REPARASJON AV EGENSİKRE KOMPONENTER

Ikke sett kretsen under permanent induktiv eller kapasitiv belastning hvis denne vil overstige tillatt spenning og strømstyrke for utstyret. Egensikre komponenter er den eneste typen komponent som kan det kan utføres arbeid på mens de er strømførende i en antennelig atmosfære. Testapparatet skal ha korrekt nominell spenning. Skift kun ut komponenter med deler som er spesifisert av produsenten. Bruk av andre deler kan føre til antennelse av kjølemiddel i atmosfæren ved lekkasje.

7.12 KABLING

Sjekk at kabling vil ikke bli utsatt for slitasje, korrosjon, for høyt trykk, vibrasjon, skarpe kanter eller andre miljømessige skadevirkninger. Kontrollen skal også ta hensyn til virkninger som følge av elding eller kontinuerlig vibrasjon fra kilder som kompressorer eller vifter.

7.13 PÅVISNING AV BRENNBARE KJØLEMIDLER

Under ingen omstendigheter skal mulige antennelseskilder brukes ved søking etter eller påvisning av kjølemiddellekkasje. Halogenlampe (eller andre detektor som bruker åpen flamme) skal ikke benyttes.

7.14 METODER FOR LEKKASJEPÅVISNING

De følgende metodene for lekkasjepåvisning anses som akseptable for systemer som inneholder brennbare kjølemidler. Elektroniske lekkasjedetektorer skal brukes til å påvise brennbare kjølemidler, men følsomheten kan være utilstrekkelig eller kan kreve recalibrering. (Påvisningsutstyr skal kalibreres i et område som er fritt for kjølemidler.) Sjekk at detektoren er ikke en potensiell antennelseskilde og er egnet for kjølemiddelet. Lekkasjepåvisningsutstyr skal stilles til en prosentandel av LFL av kjølemiddelet og skal kalibreres til kjølemiddelet som benyttes og prosentandelen for gass (maks. 25 %) er bekreftet. Lekkasjepåvisningsvæsker er egnet for bruk sammen med de fleste kjølemidler, men bruk av rensedmidler som inneholder klor skal unngås, da klor kan reagere med kjølemiddelet og forårsake korrosjon på kobberør. Hvis det foreligger mistanke om lekkasje, skal alle åpne flammer fjernes eller slukkes. Hvis det påvises en kjølemiddelleaksje som krever lodding, skal alt kjølemiddel gjenvinnes fra systemet eller isoleres (ved hjelp av avstengingsventilene) i en annen del av systemet enn der lekkasjen finnes. Systemet skal deretter renses med oksygenfri nitrogen (OFN) både før og under loddeprosessen.

7.15 FJERNING OG LUFTUTSLIPP

Når kjølekretsen åpnes for å utføre reparasjoner eller av andre årsaker, skal vanlige prosedyrer følges. Det er imidlertid viktig at beste praksis følges, da brennbarhet er en faktor. Følgende prosedyre skal følges:

- fjern kjølemiddel
- rens kretsen med nøytralgass
- tøm for luft
- rens på nytt med nøytralgass
- åpne kretsen ved kutting eller lodding

Det ladede kjølemiddelet skal overføres til korrekte gjenvinningsbeholdere. Systemet skal skylles med OFN for å gjøre trygg. Denne prosessen må kanskje gjentas flere ganger.

Komprimert luft eller oksygen skal ikke brukes for denne oppgaven.

Skylling skal foretas ved å bryte vakuemet i systemet med OFN og fortsette å fylle til arbeidstrykk er oppnådd, deretter ventilere til atmosfæren og til slutt trekke ned til et vakuum. Denne prosessen gjentas inntil det ikke finnes mer kjølemiddel i systemet.

Når den endelige OFN-ladingen foretas, skal systemet ventileres ned til atmosfærisk trykk slik at arbeidet kan utføres. Denne operasjonen er spesielt viktig hvis det skal utføres lodding på rørene. Påse at vakuumpumpens utløp er ikke lukket for antennelseskilder og at det er tilstrekkelig ventilasjon.

7.16 LADEPROSEDYRER

I tillegg til vanlige ladeprosedyrer skal følgende krav oppfylles:

- Sørg for at det ikke oppstår kontaminering fra ulike kjølemidler ved bruk av ladeutstyr. Slinger eller ledninger skal være så korte som mulig for å minimere mengden kjølevæske i dem.
- Beholderne skal holdes i oppreist stilling.
- Påse at systemet er jordet før det lades med kjølemiddel.
- Merk systemet når det lades med kjølemiddel (hvis det ikke allerede er merket).
- Vær nøye med ikke å overfylle kjølesystemet.
- Systemet skal trykktestes med OFN før lading. Systemet skal lekkasjetestes etter fullført lading, men før idriftsetting. Det skal utføres en ny lekkasjetest.

7.17 TA UT AV DRIFT

Før denne prosedyren utføres, må teknikeren være helt kjent med utstyret og all informasjon om dette. Anbefalt beste praksis tilsier at alle kjølemidler skal gjenvinnes på en sikker måte. Før oppgaven utføres, skal det tas prøve av olje og kjølemiddel.

Hvis analyse er påkrevd før gjenvunnet kjølemiddel brukes på nytt, må det sikres at det finnes tilgjengelig strømtilførsel før oppgaven startes.

- Gjør deg kjent med utstyret og driften av dette.
- Isoler systemet elektrisk.
- Før prosedyren utføres, sikre at:
 - mekanisk håndteringsutstyr er tilgjengelig, om nødvendig, for håndtering av kjølemiddelbeholdere
 - alt personlig verneutstyr er tilgjengelig og brukes på korrekt måte
 - gjenvinningsprosessen foretas under oppsyn av en kompetent person
 - gjenvinningsutstyr og -beholdere er i samsvar med gjeldende standarder
- Pump ned kjølemiddelsystemet, om mulig.
- Hvis det ikke er mulig å skape vakuum, lag en manifold slik at kjølemiddel kan fjernes fra de ulike delene av systemet.
- Sjekk at beholderne er plassert på vekten før gjenvinning foretas.
- Start gjenvinningsmaskinen og betjen den samsvar med produsentens instruksjoner.
- Ikke overfyll beholderne. (Ikke mer enn 80 % av volumet av den ladede væsken.)
- Ikke overskrid beholderens maksimale arbeidstrykk, selv midlertidig.
- Når beholderne er korrekt fylt og prosessen fullført, må du påse at beholderne og alt utstyret fjernes fra området umiddelbart, og at alle isolasjonsventiler på utstyret er avstengt.
- Gjenvunnet kjølemiddel skal ikke lades i et annet kjølesystem med mindre det har blitt rengjort og kontrollert.

7.18 MERKING

Utstyr skal være merket med informasjon om at det er tatt ut av drift og tømt for kjølemiddel. Merket skal være datert og signert. Påse at utstyret er merket med informasjon om at det inneholder brennbart kjølemiddel.

7.19 GJENVINNING

- Når kjølemiddel fjernes fra et system, enten for service eller fordi systemet tas ut av drift, anbefales det som beste praksis å fjerne alle kjølemidler på en trygg måte.
- Ved overføring av kjølemiddel til beholdere, må det sikres at det kun benyttes beholdere som er egnet for kjølemiddelgjenvinning. Påse at tilstrekkelig antall beholdere er tilgjengelig, som kan romme alt kjølemiddelet i systemet. Alle beholdere som skal brukes, må være beregnet på gjenvinning av kjølemiddel og merket med dette kjølemiddelet (dvs. spesielle beholdere for gjenvinning av kjølemiddel). Beholderne skal være utstyrt med trykkavlastningsventil og tilhørende avstengningsventiler i god stand.
- Tomme gjenvinningsbeholdere skal tømmes for luft, og om mulig nedkjøles før gjenvinning av kjølemiddel.
- Gjenvinningsutstyr skal være i god stand, ha tilhørende instruksjoner og være egnet for gjenvinning av brennbare kjølemidler. I tillegg skal et sett med kalibrerte vekter skal være tilgjengelig og i god stand.
- Slinger skal være komplette med lekkasjefrie utløsningskoblinger og i god stand. Før bruk av gjenvinningsmaskin skal det kontrolleres at den er i tilfredsstillende stand, har blitt riktig vedlikeholdt og at alle tilknyttede elektriske komponenter er forseglet for å forhindre antennelse ved utilsiktet utslipp av kjølemiddel. Kontakt produsenten hvis du er i tvil.
- Det gjenvunnede kjølemiddelet skal returneres til kjølemiddelleverandøren i korrekt gjenvinningsbeholder, og merkes med relevant etikett om overføring av avfall. Ikke bland kjølemidler i gjenvinningsenheter og spesielt ikke i beholdere.
- Hvis kompressorer eller kompressoroljer skal fjernes, må det sikres at de er tømt til et akseptabelt nivå for å sikre at det ikke finnes brennbart kjølemiddel i smøremiddelet. Luftutslippsprosessen skal utføres før kompressoren returneres til leverandør. Kun el-varme til kompressordelen skal benyttes for å akselerere denne prosessen. Når oljen tappes ut fra et system, skal dette utføres på en forsiktig måte.

7.20 TRANSPORT, MERKING OG OPPBEVARING AV ENHETER

- Transport av utstyr som inneholder brennbare kjølemidler
Overholdelse av transportforskrifter
- Merking av utstyr med symboler tegn
Overholdelse av lokale forskrifter
- Avhending av utstyr med brennbare kjølemidler
Overholdelse av nasjonale forskrifter
- Oppbevaring av utstyr/apparater
Oppbevaring av utstyr skal skje i samsvar med produsentens instruksjoner.
- Oppbevaring av emballert (usolgt) utstyr
Utstyrets emballasje skal være konstruert slik at mekaniske skader på det emballerte utstyr ikke vil forårsake lekkasje av kjølemiddel.
Maksimalt antall deler av utstyret som kan oppbevares sammen, avhenger av lokale forskrifter.

Denna produkt har bedömts uppfylla lågspänningsdirektivet (2014/35/EU) och direktivet för elektromagnetisk kompatibilitet (2014/30/EU) i Europeiska unionen.



Korrekt avyttring av denna produkt (elektriskt avfall och elektronisk utrustning)

(Om du använder luftkonditioneringen i Europa måste följande riktlinjer följas)

- Markeringen som visas på produkten eller i den medföljande dokumentationen anger att elektriskt avfall och elektronisk utrustning (WEEE som i direktiv 2012/19/EU) inte får blandas med vanligt hushållsavfall. Det är förbjudet att avyttra denna enhet tillsammans med det vanliga hushållsavfallet. Flera alternativ är tillgängliga för bortskaffning:
 1. Kommunen har avsedda insamlingsystem där elektroniskt avfall kan bortskaffas utan kostnad för användaren.
 2. När du köper en ny produkt tar återförsäljaren tillbaka den gamla produkten utan kostnad.
 3. Tillverkaren tar tillbaka den gamla apparaten utan kostnad för användaren.
 4. Eftersom gamla produkter innehåller värdefulla resurser kan de säljas till metallskrotshandlare. Det är hälsofarligt att bortskaffa avfall i naturen eftersom farliga ämnen läcker ner i grundvattnet och letar sig in i näringskedjan.

Denna produkt innehåller fluorerade gaser som täcks av Kyoto-protokollet

Gasens kemiska namn	R32
Gasens globala uppvärmningspotential (GWP)	675

VAR FÖRSIKTIG

1. Klistra fast den medföljande köldmedelsetiketten vid platsen för laddning och/eller återvinning.
2. Skriv tydligt den påfyllda mängden köldmedel på köldmedelsetiketten med beständigt bläck.
3. Förhindra att fluorerad gas släpps ut. Kontrollera att den fluorerade gasen inte släpps ut under montering, underhåll eller kassering. Om enheten läcker fluorerad gas ska läckaget stoppas och läckan sedan lagas så snart som möjligt.
4. Endast behörig servicepersonal har tillträde till och får utföra underhåll på den här produkten.
5. All hantering av fluorerad gas i den här produkten, t.ex. när produkten flyttas eller laddas med gas, ska följa EG-förordning nr 517/2014 gällande vissa fluorerade växthusgaser och relevanta lokala lagar.
6. Om systemet har ett läckagedetektionssystem installerat måste det kontrolleras för läckor minst var 12:e månad
7. Det rekommenderas starkt att samtliga kontrollprocedurer dokumenteras då enheten kontrolleras för läckor.

Inomhusenhet	Utomhusenhet	Märkspänning och Hz
42QHP09E8S*	38QHP09E8S*	220-240V~, 50Hz
42QHP12E8S*	38QHP12E8S*	

Tillverkaren förbehåller sig rätten att ändra produktspecifikationerna utan föregående meddelande.

INNEHÅLL

1. FÖRBEREDA FÖR MONTERING	3
1.1 Säkerhetsåtgärder	3
1.2 Tillbehör.....	5
1.3 Val av monteringsplats	6
2. MONTERA INOMHUSENHETEN	7
2.1 Monteringsplåt för inomhusenheten	7
2.2 Monteringsprocess	8
3. MONTERA UTOMHUSENHETEN	9
3.1 Mått för montering av utomhusenheten	9
3.2 Nödvändigt utrymme för utomhusenheten	9
3.3 Kabelanslutning vid utomhusbruk	10
3.4 Montera utomhusenheten	10
3.5 Montera dräneringsrör för utomhusenheten	10
4. MONTERING AV RÖRLEDNINGAR FÖR KÖLDMEDEL	11
4.1 Flänsning	11
4.2 Montering av rörledningar	11
4.3 Rör för köldmedel	12
4.4 Luftutsläpp	12
4.5 Läckageprov	12
5. LEDNINGSDRAGNING	13
6. SLUTKONTROLLER OCH AUTOMATISK DRIFT	14
6.1 Lista på slutkontroller.....	14
6.2 Manuell drift	14
6.3 Automatisk drift	14
7. INFORMATIONSSERVICE	15



Förmaning: **Brandrisk endast för R32/R290 kylmedel**

1. FÖRBEREDA FÖR MONTERING

1.1 SÄKERHETSÅTGÄRDER

- Det kan vara farligt att montera, starta och underhålla luftkonditioneringsutrustning på grund av systemtryck, de elektriska komponenterna och utrustningens placering (tak, upphöjda konstruktioner osv.).
- Endast utbildade och behöriga installatörer och servicemekaniker bör montera, starta och underhålla utrustningen.
- Följ försiktighetsåtgärderna i dokumentationen samt på de etiketter och dekaler som sitter på utrustningen när du arbetar med den.
- Följ alla säkerhetsföreskrifter. Bär säkerhetsglasögon och arbetshandskar. Ha brandfilt och brandsläckare tillgängligt vid hårdlödning. Var försiktig när du hanterar, ställer upp och placerar ut skrymmande utrustning.
- Läs igenom dessa anvisningar noga och följ alla varningar eller försiktighetsåtgärder som står angivna i medföljande dokumentation eller på enheten. Se lokala byggnadsföreskrifter och nationella elektriska föreskrifter för särskilda krav.

! VARNING

Denna symbol indikerar risk för personskada eller dödsfall.

- **Köldmedelsgas är tyngre än luft och ersätter syre. En stor läcka kan leda till syrebrist, i synnerhet i källare, och en kvävningsrisk kan uppstå, vilket i sin tur kan leda till allvarlig personskada eller dödsfall.**
- När du monterar luftkonditioneringsenheten i ett litet rum måste du vidta lämpliga åtgärder för att säkerställa att det sammantagna köldmedelläckaget som uppstår i rummet inte överskrider den kritiska nivån.
- **Om köldmedelsgas läcker ut under installationen ska du omedelbart ventileras platsen.**
Köldmedelsgas kan generera en giftig gas om den kommer i kontakt med eld, t.ex. från en fläktförvärmare, spis eller matlagingsanordning. Exponering för denna gas kan orsaka allvarlig personskada eller dödsfall.
- **Koppla ur strömkällan innan du påbörjar några elarbeten. Anslut anslutningskabeln korrekt.**
Felaktig anslutning kan resultera i att elektriska delar skadas.
- **Använd de angivna kablarna för elektriska anslutningar och fäst kablarna ordentligt vid anslutningsplintens anslutningssektioner så att plinten inte utsätts för yttre kraft.**
- **Se till att jordning finns.**
Jorda inte enheterna till gasledning, vattenledningar, åskledare eller telefonledningar. Ofullständig jordning kan leda till allvarlig stötrisk, vilket i sin tur kan resultera i personskada eller dödsfall.
- **Kassera förpackningsmaterialet på ett säkert sätt.**
Förpackningsmaterial som t.ex. spikar och andra metall- eller träbitar kan orsaka stickskador eller andra personskador. Ta isär och kasta förpackningspåsar i plast för att undvika att barn leker med dem. Barn som leker med plastpåsar riskerar att kvävas.
- **Montera inte enheten nära koncentrationer av brännbar gas eller gasångor.**
- **Var noga med att använda medföljande eller specifikt angivna monteringsdelar.**
Användning av andra delar kan leda till att enheten lossnar, eller till vattenläckage, elektriska stötar, brand eller skada på utrustningen.
- **Låt inte luft eller andra ämnen än det angivna köldmedlet (R410A) komma in i kylningscykeln när du monterar eller flyttar systemet.**
- **Du får inte modifiera enheten genom att ta bort eventuella säkerhetsskydd eller förbikoppla interlockbrytarna.**
- **Elarbeten måste utföras enligt monteringshandboken och i enlighet med de nationella, statliga och lokala föreskrifterna för elektrisk ledningsdragning.**

1. FÖRBEREDA FÖR MONTERING

! VARNING

- **Var noga med att använda en dedikerad strömkrets. Dela aldrig samma strömuttag med andra apparater.**
- **För att undvika faror som orsakas av oönskad nollställning av den termiska säkringen får den här apparaten inte förses av en extern omkopplingsenhet, som t.ex. en timer eller en anslutning till en krets som startas och stängs av med jämna mellanrum.**
- **Använd de föreskrivna kablarna för elektrisk anslutning utrustade med isolering som skyddas av isoleringsmuffar med lämplig temperaturmärkning.**
Oförenliga kablar kan orsaka elläckage, bli för varma och börja brinna.
- **Försök inte påskynda avfrostningsprocessen eller rengöra enheten med andra tillvägagångssätt eller medel än de som rekommenderas av tillverkaren.**
- **Apparaten ska förvaras i ett rum utan kontinuerligt aktiva antändningskällor (till exempel: öppna lågor, en verksam gasapparat eller ett elektriskt värmelement)**
- **Får ej punkteras eller brännas.**
- **Tänk på att köldmedel inte nödvändigtvis doftar.**
- **Enheten ska förvaras i ett väl ventilerat område där rummets storlek motsvarar det angivna utrymmet för drift.**
- **För modeller med R32-köldmedel:**
Enheten ska installeras, användas och förvaras i ett rum med en golvyta större än 4 m².
Enheten ska inte installeras i ett oventilerat utrymme om utrymmet är mindre än 4 m².
- **För modeller med R290-köldmedel måste rummets storlek vara minst:**
<=9000Btu/h-enheter: 13 m²
> 9000Btu/h- och <=12000Btu/h-enheter: 17 m²
> 12000Btu/h- och <=18000Btu/h-enheter: 26 m²
> 18000Btu/h- och <=24000Btu/h-enheter: 35 m²

! VAR FÖRSIKTIG

Denna symbol indikerar en risk för materialskada eller allvarliga konsekvenser.

- **Undvik personskador genom att vara försiktig när du hanterar delar med vassa kanter.**
- **Montera inte inomhus- eller utomhusenheterna på en plats med särskilda miljöförhållanden.**
- **Montera inte enheten på platser som kan förstärka dess ljud eller där ljud och luftutsläpp kan störa grannar.**
- **Utför dränerings- och rörarbetet på ett säkert sätt genom att följa monteringshandboken.**
Felaktiga dräneringsrör kan resultera i vattenläckage och materiell skada.
- **Montera inte luftkonditioneringsenheten på följande platser:**
 - På en plats där det finns mineralolja eller arseniksyra.
 - På en plats där frätande gas (t.ex. sulfursyra i gasform) eller brännbar gas (t.ex. thinner) kan ansamlas eller på en plats där man hanterar flyktiga lättantändliga ämnen.
 - På en plats där det finns utrustning som genererar elektromagnetiska fält eller högfrekventa övertoner.
- **Apparaten ska förvaras så att mekaniska skador inte kan uppstå.**
- **Alla som arbetar med eller ska ta sig in i en köldmedelskrets ska inneha ett aktuellt giltigt certifikat från en bedömningsmyndighet som är känd inom branschen, som auktoriserar deras kompetens att hantera köldmedel på ett säkert sätt, enligt en bedömningsmyndighet som är välkänd inom branschen.**

1. FÖRBEREDA FÖR MONTERING

1.2 TILLBEHÖR

Följande tillbehör följer med enheten. Typ och antal kan variera beroende på specifikationerna.

Namn på tillbehör	Kvantitet	Form	Namn på tillbehör	Kvantitet	Form
Handbok	3		Fjärrkontroll	1	
Dräneringsutlopp	1		Batteri	2	
Packning	1		Fjärrkontrollshållare	1	
Monteringsplatta	1		Skruv B	2	
Ankare	5		Litet filter	1	
Skruv A	5		Magnetisk ring (vissa enheter)	N*	

*enligt den faktiska kvantiteten

1.3 VAL AV MONTERINGSPLATS

Inomhusenhet

- En plats som klarar inomhusenhetens vikt.
- Montera inte inomhusenheter i närheten av en direkt värmekälla, t.ex. direkt solljus eller värmeelement.
- En plats som ger lagom avstånd enligt nedanstående bild.
- Röriga delar på enheten måste monteras/placeras minst 2,3 m från golvet.

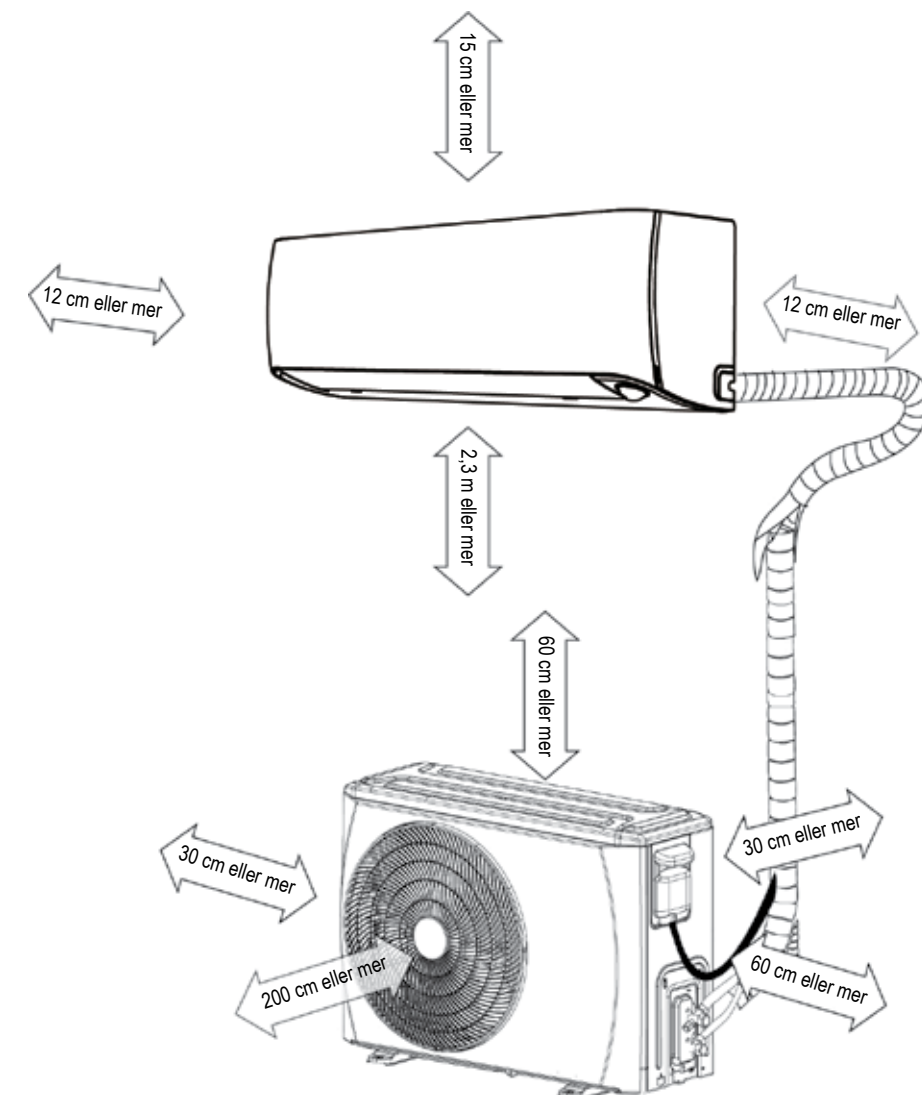
Utomhusenhet

- En plats som är praktisk för montering och inte utsätts för kraftiga vindar. Vi rekommenderar att en vindskärm används om enheten exponeras för kraftiga vindar.
- En plats som klarar utomhusenhetens vikt och där utomhusenheten kan monteras på plant underlag.
- En plats som ger lagom avstånd enligt nedanstående bild.

Montera inte inomhus- eller utomhusenheterna på en plats med särskilda miljöförhållanden.

Se till att det finns tillräckligt med utrymme för montering och underhåll.

1. FÖRBEREDA FÖR MONTERING



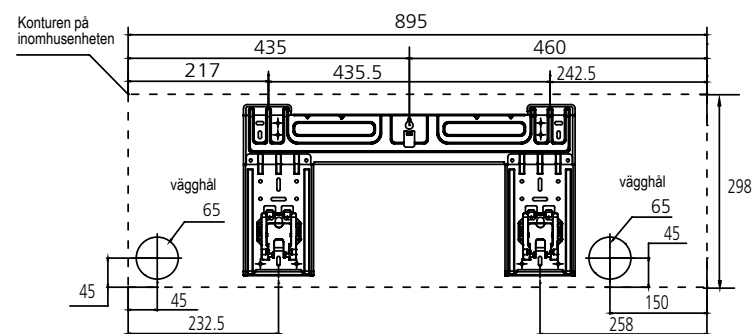
Obs! Kontrollera att utrymmena som markerats med pilarna från vägg, tak, staket eller andra hinder följs.

Rör kan anslutas baktill, till vänster, till vänster baktill och till höger.

Täpp till det oanvända dräneringshålet med den medföljande gummipluggen.

Skär till knockout-panelen efter rörstorleken.
knockout-panel

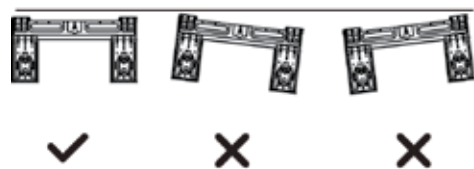
2.1 FÄSTPLATTA FÖR INOMHUSENHET



Obs! När det anslutningsbara gassidorröret är Ø16 mm eller mer ska rörets hål vara 90 mm.

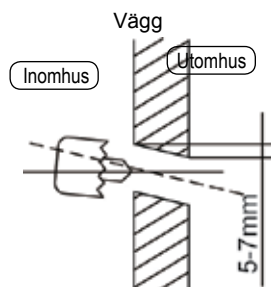
■ Montera monteringsplattan

Sätt fast monteringsplattan vågrätt och plant mot väggen med fem eller fler A-skruvar.



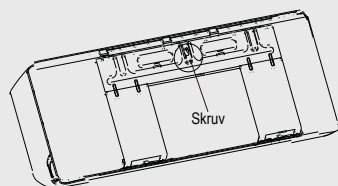
■ Borra ett hål i väggen

Borra ett hål på 65 mm eller 90 mm (beroende på modellen) i väggen som är lätt vinklad mot utsidan.



Obs!

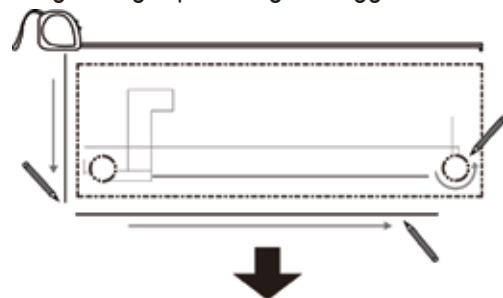
■ Monteringsplattan fästs med en skruv för att underlätta leveransen. Ta inte bort skruven förrän vid monteringen. (se bilden)



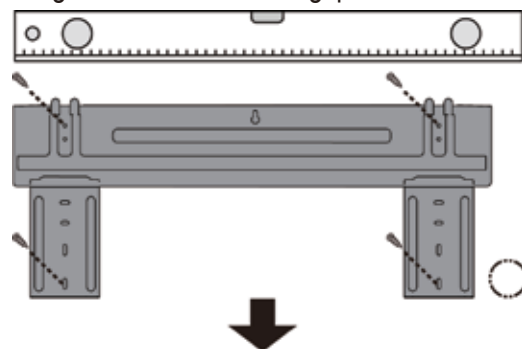
■ Fästplattan ser ut som på någon av bilderna beroende på enhetens storlek. Hålen för fastsättning av ankare ska vara 5 mm.

2.2 MONTERINGSPROCESS

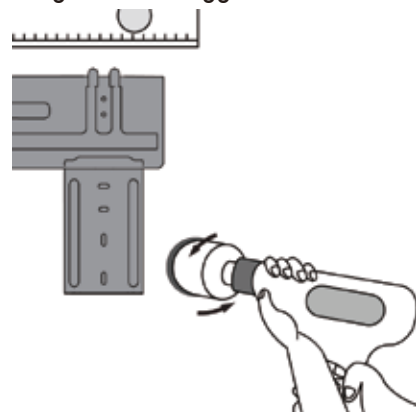
Steg 1: Avgör placering av vägghål



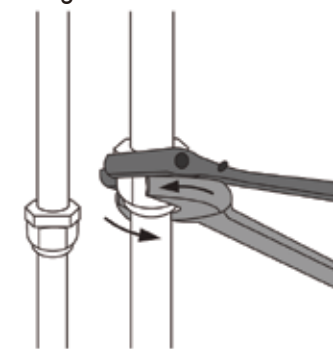
Steg 2: Sätt fast monteringsplattan



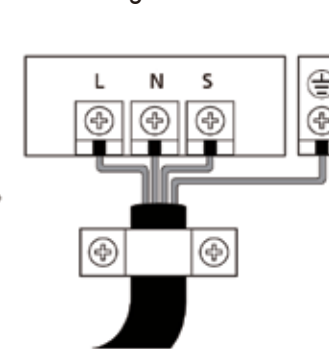
Steg 3: Borra vägghål



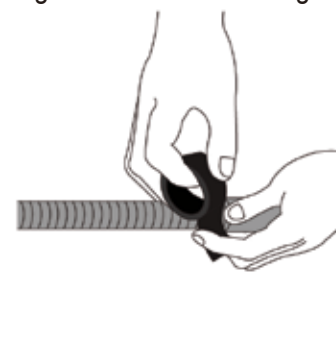
Steg 4: Anslut rör



Steg 5: Anslut kabeln



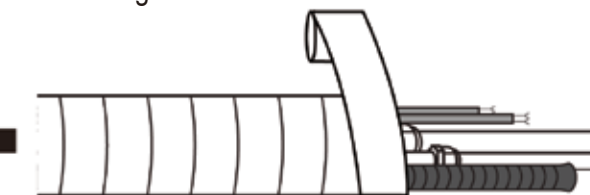
Steg 6: Förbered dränerings slang



Steg 8: Häng upp inomhusenheten

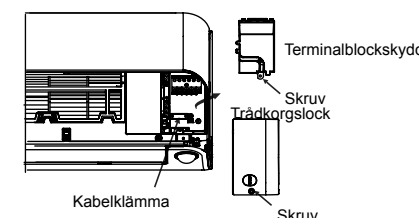
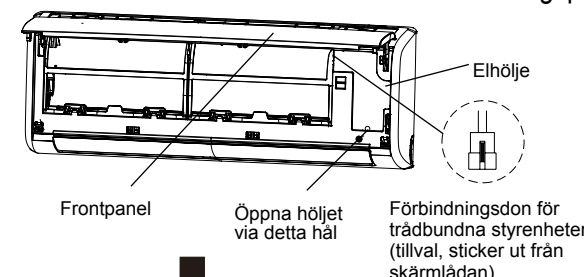


Steg 7: Linda om rör och kabel



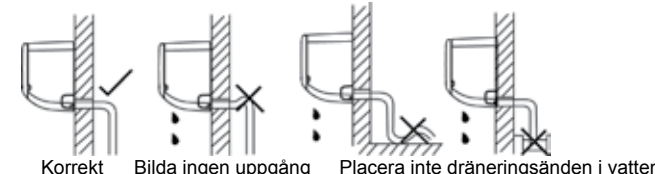
■ Kabelanslutning inomhus

1. Lyft upp inomhusenhetens frontpanel.
2. Öppna elskyddet för inomhusenheten genom att föra en skruvmejsel genom hålet, ta bort uttagsplintens lock för hand, och därefter ta bort kabelklämman genom att lossa skruvarna
3. För igenom anslutningsledningarna från inomhusenhetens baksida och anslut till inomhusanslutningsplinten.



■ Dränering

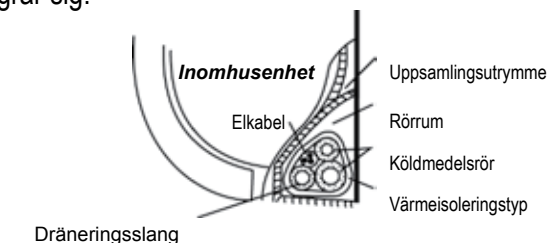
Dräneringsslangen får inte ha någon avskiljare någonstans, måste luta nedåt och måste vara isolerad ända fram till utomhusväggen.



■ Linda röret

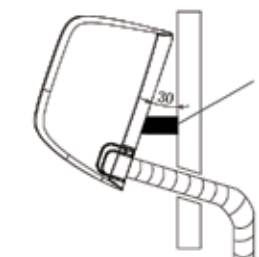
För korrekt orientering av köldmedelsrören, elkabeln och dränerings slangarna, se bilden nedan:

- Placera dräneringsslangen under köldmedelsrören.
- Kontrollera att dräneringsslangen ej höjs upp eller slingrar sig.



■ Häng upp inomhusenheten

1. För köldmedelröret genom hålet i väggen.
2. Häng inomhusenheten på monteringsplattans övre krok och tryck sedan upp den nedre delen av inomhusenheten mot väggen, till den nedre kroken.
3. Flytta inomhusenheten från sida till sida, upp och ner för att kontrollera att den krokats fast ordentligt.



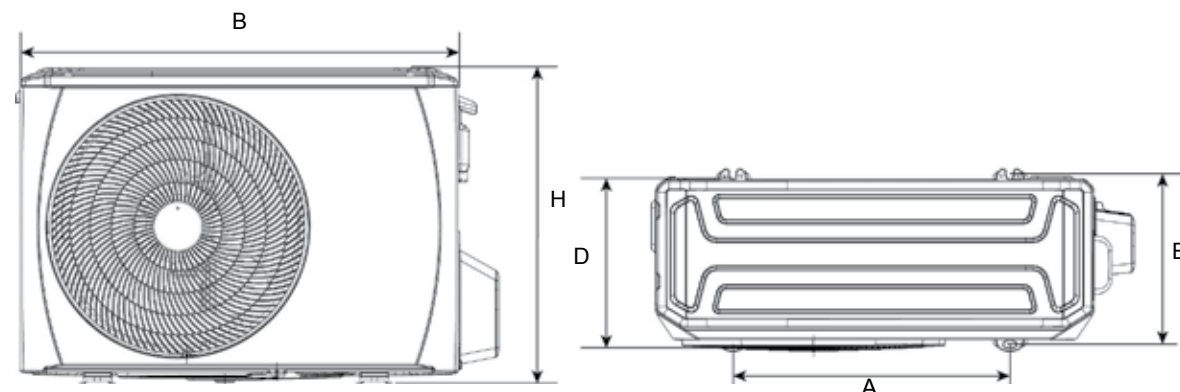
⚠ VAR FÖRSIKTIG

■ Anslutningsdelarna på det anslutande röret måste placeras utanför rummet.

3. MONTERA UTOMHUSENHETEN

3.1 MÅTT FÖR MONTERING AV UTOMHUSENHETEN

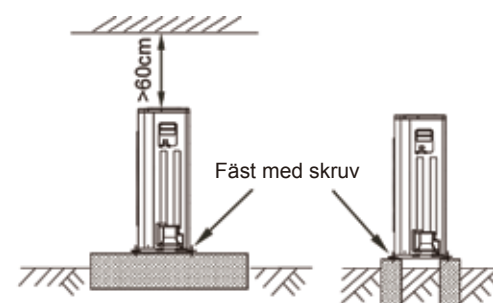
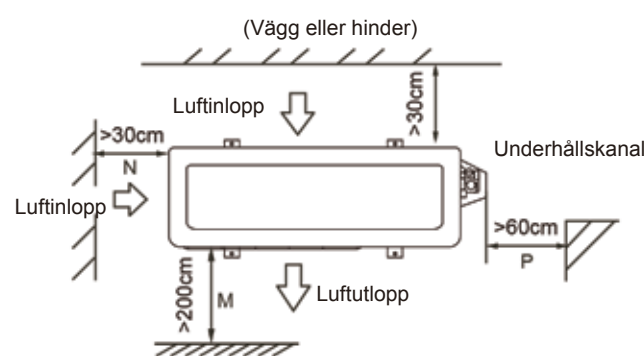
Monteringsmått varierar mellan olika utomhusenheter.
Fästskruvshuvudets diameter ska vara större än 12 mm.



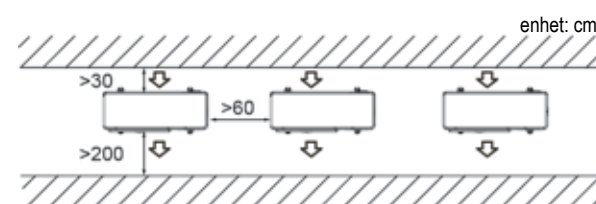
Mått för utomhusenheten (mm)				Mått för montering (mm)	
Utomhusenhet	B	H	D	A	B
38QHP09E8S 38QHP12E8S	800	554	333	515	340

3.2 UTRYMMESBEHOV FÖR UTOMHUSENHETEN

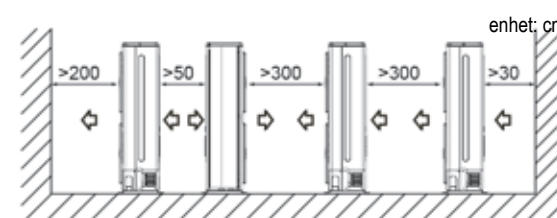
Montera en enda enhet



Parallellanslut de två enheterna som visas ovan



Parallellkoppla framsidan med baksidan



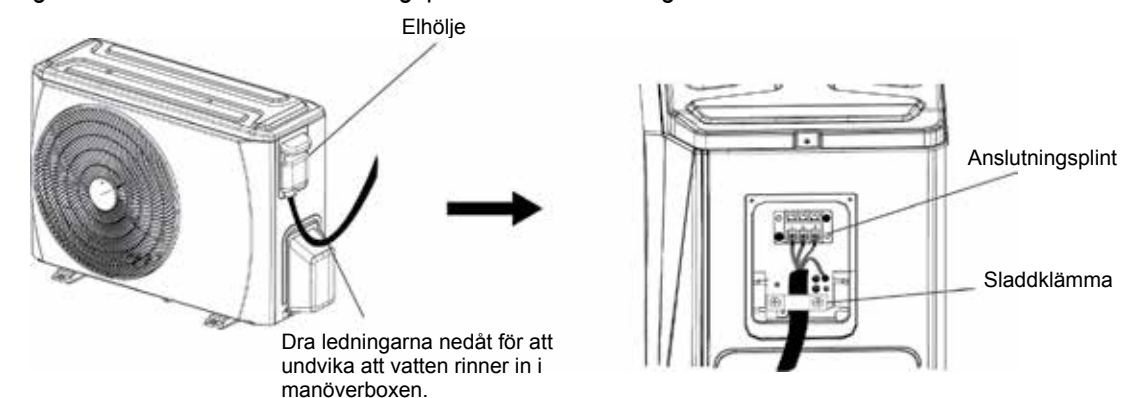
VAR FÖRSIKTIG

- I områden med snö och kyla bör du undvika att montera utomhusenheten på en plats där den kan täckas av snö. Om tungt snöfall väntas bör ett is- eller snöställ tillhandahållas på plats och/eller en vindskärm monteras på plats för att skydda enheten från snöansamling och/eller blockerat luftintag.

3. MONTERA UTOMHUSENHETEN

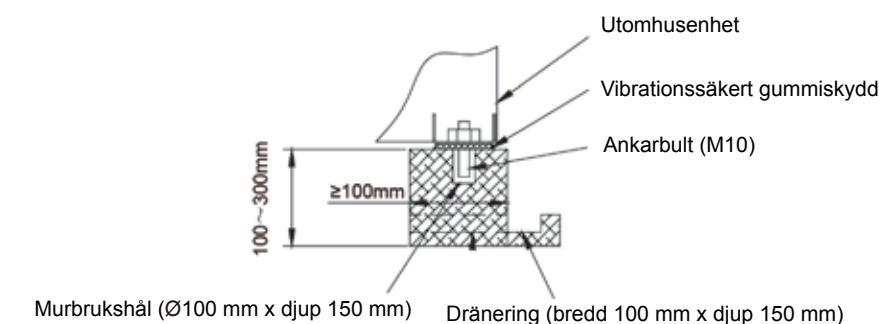
3.3 UTOMHUS SLADDANSLUTNING

- Ta bort elskyddet och kabelklämman genom att lossa skruvarna.
- Anslut ledningarna till utomhusenhetens uttagsplint i samma ordning som för inomhusenheten.



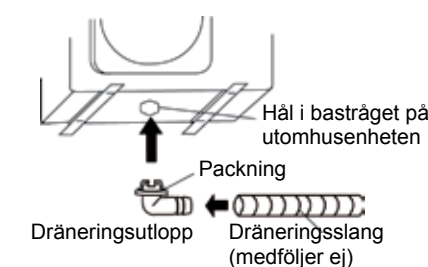
3.4 MONTERA UTOMHUSENHETEN

- Före monteringen ska du kontrollera styrkan och planheten så att inte onormala ljud uppstår.
- Fäst undersidan ordentligt med ankarbultarna (M10) för att förhindra att den faller ihop.
- Montera fundamentet och de vibrationsdämpande gummidelarna för att ge direkt stöd för undersidan av monteringsbenet som är i kontakt med utomhusenhetens undersida.



3.5 MONTERA UTOMHUSENHETENS DRÄNERINGSRÖR

- Anslut dräneringsutsläppet med en dräneringsslang
- Sätt fast packningen på dräneringsutsläppet.
- Sätt i dräneringsutsläppet i hålet på bastråget på utomhusenheten och rotera 90 grader för att säkert sätta ihop dem.



VAR FÖRSIKTIG

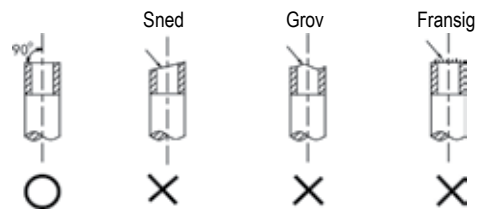
- Kontrollera om höjdskillnaden mellan inomhusenheten och utomhusenheten och den totala längden av köldmedelsröret uppfyller systemkraven.
- Köldmedelsrörssystemet följer monteringen av inomhusenheten och utomhusenheten. Anslut röret först på insidan, därefter på utsidan.
- Håll alltid ändarna av slangen förseglade genom att placera en plugg eller täckning med tejp vid monteringen. Ta INTE bort dem förrän rörledningarna är klara att anslutas.
- Se till att isolera eventuella rörkopplingar hela vägen till röranslutningen inuti enheten. Eventuella exponerade rör kan leda till kondensation eller brännskador om de vidrörs.
- När utomhusenheten är i det översta läget och nivåskillnaden är över 10 m rekommenderar vi att en böjning för återvändande olja installeras i gasröret var 5–8 m. Radien på oljereturkröken ska vara större än 10 cm.

4.1 FLÄNSNING

OBS!

- Verktyg som krävs för flänsning är rörvaskare, brotsch, flänsningsverktyg och rörhållare.
- För modeller med R32-kylmedel måste röranslutningspunkterna placeras utanför rummet.

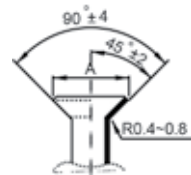
4.1.1 Använd en rörvaskare för att kapa röret till önskad längd. Se till att snittytan fortsätter att vara 90° vid rörets sida.



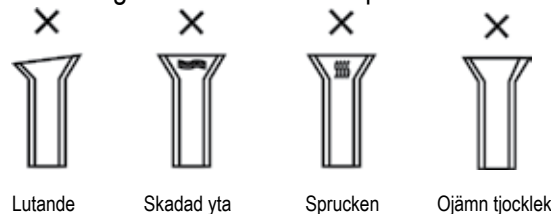
4.1.2 Använd en brotsch för att avlägsna fransiga ytor med snittytan nedåt, så att spånen inte hamnar i röret.

4.1.3 Genomför flänsningsarbetet med flänsningsverktygen som visas nedan.

Utsidans diameter	A (mm)	
	Max	Min.
Ø 6,35 mm	8,7	8,3
Ø 9,52 mm	12,4	12,0
Ø 12,7 mm	15,8	15,4
Ø 15,88 mm	19,0	18,6
Ø 19,05 mm	23,3	22,9



4.1.4 Kontrollera om flänsningen genomförs korrekt. Se felaktigt flänsade rör i exemplen nedan.

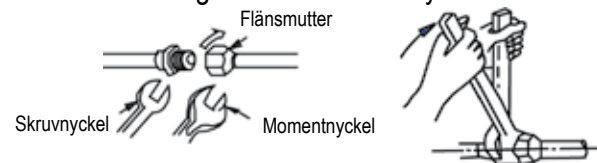


VAR FÖRSIKTIG

- Om lödning behövs ska du använda blåsning med kvävgas.
- Felaktig åtdragning kommer att orsaka flänsksador eller gasläckor.

4.2 RÖRSYSTEM

4.2.1 Rikta in mitten för att dra åt flänsmuttern och fäst anslutningen med två skruvnycklar.



Rörstorlek	Vridmoment
Ø 6,35 mm	18–20 Nm
Ø 9,52 mm	25–26 Nm
Ø 12,7 mm	35–36 Nm
Ø 15,88 mm	45–47 Nm
Ø 19,05 mm	65–67 Nm

4.2.2 Välj lämpligt isoleringsmaterial för köldmedelsröret. (Min. 10 mm, termiskt isolerande skum C)

- Använd separata värmeisolerande rör för gas- och vätskerör.
- Tjockleken ovan är standard för en inomhustemperatur på 27 °C och en luftfuktighet på 80 %. Vid montering i ofördelaktiga utrymmen, t.ex. intill badrum, kök och på andra liknande platser, ska isoleringen förstärkas.
- Isoleringens värmeresistenstemperatur bör vara över 120 °C.
- Använd limmet på den anslutande delen av isoleringen för att förhindra att fukt kommer in.
- Reparera och täck över eventuella sprickor i isoleringen. Kontrollera särskilt den böjda delen eller rörets hållare.

4.3 KÖLDMEDELSRÖR

Notera: Kylmediet ska laddas från serviceporten på utomhusenhetens lågtrycksventil.

	Minimilängd för att reducera onormal vibration och onormalt buller	Laddningsfri längd	Ytterligare laddning per meter	
			Vätskesida: Ø6,35 mm	Vätskesida: Ø9,52mm
R32*	3 m	5 m	12 g	24 g

* Använd verktyg för R32-system.

OBS!

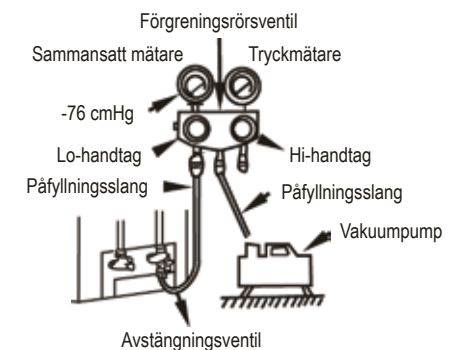
- Utökad rörlängd kommer att påverka enhetens kapacitet och energieffektivitet.
- Den nominella effektiviteten testas baserat på en rörlängd på 5 meter.
- När rörlängden överstiger 5 m ska det extra köldmedlet läggas till enligt rörlängden.
- Högsta rekommenderade rörlängd är följande:

Modeller	R32 Växelriktare	
	Maximal rörlängd (m)	Maximal höjdskillnad (m)
9K/12K	25	10

* Använd verktyg för R32-system.

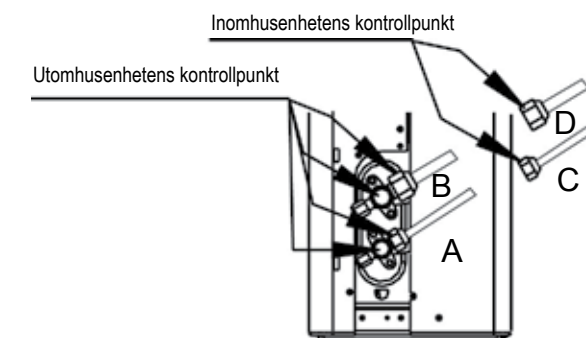
4.4 LUFTEVAKUERING

- Anslut laddningsslangen från grenrörmätaren till serviceporten på gasavstängningsventilen på sidan.
- Anslut laddningsslangen till porten på vakuumpumpen.
- Öppna Lo-handtaget helt på grenrörmätaren.
- Starta vakuumpumpen för att släppa ut luften ur systemet till -76 cmHg.
- Stäng Lo-handtaget på grenrörmätaren.
- Öppna ventilskaftet helt på avstängningsventilerna.
- Ta bort laddningsslangen från serviceporten.
- Skruva åt locken på avstängningsventilerna.



4.5 LÄCKAGETEST

När rörarbetet är klart ska du kontrollera anslutningsdelen på varje köldmedelsrör och bekräfta att det inte finns något gasläckage genom att fukta dem med tvålatten, eller genom att använda en läckdetektor specialtillverkad för HFC-köldmedel. Se bilden nedan.



A: Lågtrycksavstängningsventil
B: Högtrycksavstängningsventil
C och D: Flänsmuttrar för inomhusenhet

VAR FÖRSIKTIG

- Alla elanslutningar måste utföras av kvalificerade montörer och alla ledningar måste anslutas enligt kopplingsschemat.
- Se till att enheten är jordad innan du kontrollerar andra elektriska anslutningar.
- Alla strömkällor måste stängas av innan du kopplar ledningar. Slå inte på strömmen förrän alla ledningar har bedömts vara säkra.
- En huvudströmbrytare samt en krets brytare eller säkring måste installeras. Kapaciteten ska vara över 1,5 gånger den maximala kraftförsörjningen i kretsen.
- En enskild avgreningskoppling och en enskild sockel som endast används för denna apparat måste installeras.
- Kabeltvärsnittsområdet skiljer sig beroende på märkström samt nationella, statliga och lokala koder för elektriska ledningar. Se lokala byggnadsföreskrifter och nationella elektriska föreskrifter för särskilda krav.
- Om strömsladden är skadad måste den bytas ut av tillverkaren, dennes serviceombud eller personer med liknande behörighet för att undvika fara.
- Eheten måste vara ansluten till huvudströmnätet via en krets brytare eller en strömställare med minst 3 mm för alla terminaler. Montering av en restströmsenhet med en märkt restdriftström som inte överstiger 30 mA är att rekommendera.
- Denna apparat innehåller en jordanslutning för endast funktionella syften.

Märkström för varje modell

Modell	Märkström (A)	Säkringsvärde (A)	Kabel för strömtillförsel (med Min. Crosse-avsnitt)	Anslutningskabel (med Min. Crosse-avsnitt)
38QHP09E8S	10,0	16	3*1,5 mm ²	5*1,5 mm ²
38QHP12E8S	13,0	20	3*1,5 mm ²	5*1,5 mm ²

OBS!

1. Alla elektriska ledningar måste ha de storlekar som föreskrivs enligt nationella, statliga och lokala föreskrifter för elektriska ledningar. Se lokala byggnadsföreskrifter och nationella elektriska föreskrifter för särskilda krav.
2. Utomhusströmsladden och mellankopplande kablar ska vara H07RN-F.
3. Apparats märkström indikeras på märkplattan.
4. Specifikationen för utomhusenshetens säkring är T20A/250VAC (gäller endast enheter med R32-kylmedel)
Notera: Säkringen är gjord av keramik.



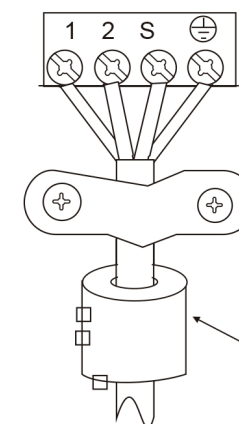
Kopplingsschema

Modell	Inomhusenhet	Utomhusenhet
QHP09 QHP12		
	Till utomhus	Till inomhus Ineffekt

Installation av magnetisk ring

Obs! Uttagsplinten kan vara annorlunda på vissa modeller.

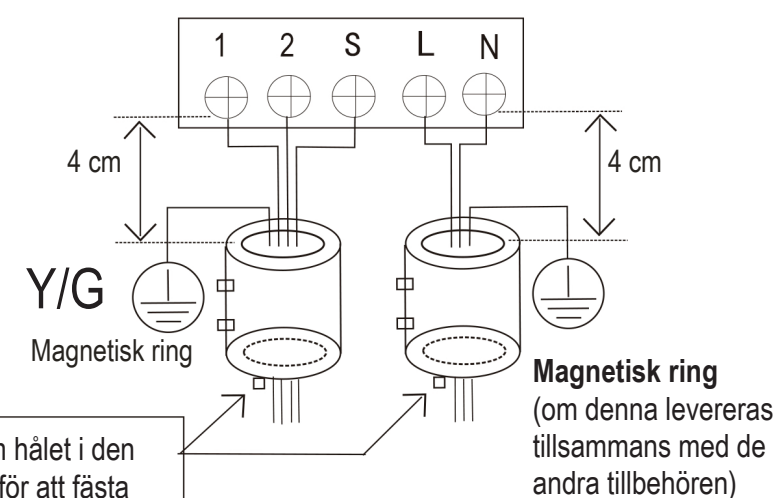
Inomhusenhet



Magnetisk ring

(om denna levereras tillsammans med de andra tillbehören)
För remmen genom hålet i den magnetiska ringen för att fästa den vid kabeln

Utomhusenhet



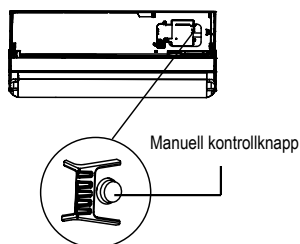
För remmen genom hålet i den magnetiska ringen för att fästa den vid kabeln

Magnetisk ring
(om denna levereras tillsammans med de andra tillbehören)

6.1 SLUTGILTIG KONTROLLISTA

Slutför installationen genom att utföra följande kontroller innan provdriften.

- Säkra monteringsplatsen för både in- och utsidan och säkerställ att det inte finns några hinder för enhetens luftutsläpp eller luftreturledning.
- Dra åt anslutningen till rörledningen för köldmedlet och säkerställ att det inte finns några läckage
- Kontrollera att de elektriska ledningsanslutningarna är fullständigt anslutna och att enheten har en jordad anslutning
- Kontrollera den fullständiga längden på röret och registrera volymen på det ytterligare tillförda kylmedlet
- Strömtilförseln ska överensstämma med märkspänningen på luftkonditioneringen
- Isolering av röret
- Dränering



6.2 MANUELL DRIFT

Tryck på den manuella knappen för manuell drift.

Tryck på den manuella knappen upprepade gånger för att ändra lägena enligt följande:

- En gång = AUTO-läge [värme, kyla eller fläkt, 24 °C och automatisk fläkthastighet.]
- Två gånger = KYLNINGS-läge [växla till AUTO-läge efter 30 minuter (används i huvudsak till provdrift)]
- Tre gånger = AV

6.3 AUTOMATISK DRIFT

Ställ in luftkonditioneringen på läget COOLING (avkylning) med fjärrkontrollen (eller den manuella knappen) och kontrollera körstatusen för både inomhus- och utomhusenheten. Vid eventuell felfunktion ska sådan åtgärdas i enlighet med kapitlet "Felsökning" i servicehandboken.

Inomhusenhet

- Att knapparna (t.ex. PÅ/AV, LÄGE, TEMPERATUR, FLÄKTHASTIGHET m.m.) på fjärrkontrollen fungerar som de ska.
- Attspjället rör sig normalt.
- Att rumstemperaturen är väl justerad.
- Att indikatorlamporna på skärmpanelen fungerar normalt.
- Att "manuell"-knappen fungerar som den ska.
- Att dräneringen fungerar som den ska.
- Om det finns några vibrationer eller onormalt buller under drift.
- Att inomhusenheten fungerar bra i KYLNINGS- eller VÄRME-lägena.

Utomhusenhet

- Om det finns några vibrationer eller onormalt buller under drift.
- Om luftflödet, ljudet eller det kondenserade vattnet som genereras av luftkonditioneringsaggregatet riskerar att störa dina grannar.
- Om det förekommer något läckage av köldmedel.

⚠ VAR FÖRSIKTIG

- När du startar om enheten uppstår en fördröjning på cirka 3 minuter då kompressorns skydd aktiveras.

7.1 KONTROLL AV ARBETSOMRÅDET

Innan du påbörjar arbete med system som innehåller brandfarliga köldmedel måste du genomföra ett antal säkerhetskontroller för att säkerställa att risken för antändning är så liten som möjligt. Vid reparation av kylsystemet ska följande försiktighetsåtgärder genomföras innan arbetet påbörjas.

7.2 ARBETSGÅNG

Arbetet ska ske under kontrollerade former för att minimera risken för att brandfarliga gaser eller ångor uppstår när arbetet utförs.

7.3 OMRÅDE DÄR ARBETET UTFÖRS

All arbetspersonal och personer som arbetar i närheten ska informeras om vilken typ av arbete som ska genomföras. Arbete i trånga utrymmen ska undvikas. Arbetsområdet ska avskiljas från övriga områden. Se till att säkerhetskontrollerna för brännbart material har genomförts i arbetsområdet.

7.4 KONTROLL AV FÖREKOMST AV KYLMEDEL

Området ska kontrolleras med en lämplig köldmedelsdetektor före och under arbetet för att säkerställa att personen som utför arbetet är medveten om potentiella brandfaror. Se till att utrustningen som används för detektion av läckor är lämpliga för användning med brandfarliga köldmedel, dvs. att inga gnistor kan uppstå, att utrustningen är ordentligt förseglad och att den är säker.

7.5 FÖREKOMST AV BRANDSLÄCKARE

Om varmbearbetning ska utföras på kylutrustning eller några tillhörande delar måste lämplig brandsläckningsutrustning finnas till hands. Ha en pulver- eller koldioxidbrandsläckare i närheten av arbetsområdet.

7.6 INGA ANTÄNDNINGSKÄLLOR

Ingen person som utför arbete på ett kylsystem, där rörledningar som innehåller eller har innehållit brandfarliga köldmedel ingår, får använda antändningskällor på ett sådant sätt att det kan leda till risk för brand eller explosion. Alla möjliga antändningskällor, inklusive cigaretter, måste förvaras tillräckligt långt från platsen för montering, reparation, demontering och avyttring, då brandfarligt köldmedel kan släppas ut i det omgivande området. Innan arbetet påbörjas måste området runt utrustningen kontrolleras för att säkerställa att det inte finns några antändningsbara föremål eller någon risk för antändning. Skyltar med texten "RÖKNING FÖRBJUDEN" ska sättas upp.

7.7 VENTILATION AV OMRÅDE

Se till att området är öppet eller att det är tillräckligt ventilerat innan du tar dig in i systemet eller genomför någon form av varmbearbetning. En viss grad av ventilation måste äga rum under tiden då arbetet utförs. Ventilationen måste skingra köldmedel på ett säkert sätt, och helst släppa ut det i utomhusluften.

7.8 KONTROLL AV KÖLDMEDELSUTRUSTNINGEN

Elektriska komponenter som ersätter gamla komponenter ska vara anpassade för ändamålet och ha rätt utformning. Tillverkarens riktlinjer för underhåll och service ska alltid följas. Om du är osäker ska du kontakta tillverkarens tekniska avdelning för hjälp. Följande kontroller ska tillämpas på monteringar med lättantändliga köldmedel:

- uppfyllnaden av köldmedel är i enlighet med rummets storlek där delarna för köldmedel har monterats
- ventilationskomponenterna och -uttagen fungerar korrekt och är inte igensatta.
- om en indirekt krets för köldmedel används ska de sekundära kretsarna kontrolleras avseende förekomst av köldmedel; markeringarna på utrustningen ska alltid vara synliga och läsliga
- markeringar och skyltar som är oläsliga ska rättas till
- kylledningen eller komponenterna har monterats i ett läge där de sannolikt inte kommer att utsättas för ämnen som kan orsaka korrosion på komponenter för köldmedel, såvida inte komponenterna är tillverkade av ett material som är naturligt korrosionsskyddat eller har ett tillräckligt korrosionsskydd.

7.9 KONTROLLER AV ELEKTRISKA ENHETER

Reparation och underhåll av elektriska komponenter ska föregås av inledande säkerhetskontroller och komponentinspektioner. Om det har uppstått fel som kan äventyra säkerheten ska ingen strömförsörjning anslutas till kretsen tills den har åtgärdats. Om felet inte kan justeras omedelbart, men det är nödvändigt att fortsätta använda enheten, ska en lämplig tillfällig lösning användas. Detta ska rapporteras till utrustningens ägare så att alla parter är införstådda med situationen.

Inledande säkerhetskontroller ska omfatta följande:

- kondensatorerna ska vara urladdade; detta ska göras på ett säkert sätt för att undvika risk för gnistbildning
- inga strömförande komponenter och kablar ska exponeras under laddning, bärning och blåsning av systemet
- det ska finnas en kontinuerlig jordning.

7.10 REPARATIONER AV FÖRSEGLADE KOMponenter

- 10.1 Under reparationer av förseglade komponenter ska all strömtillförsel kopplas bort från den behandlade utrustningen före en eventuell borttagning av slutna kåpor och liknande. Om det är absolut nödvändigt att ha en strömtillförsel under reparationen ska en ständigt aktiv läckagedetektion placeras på de mest kritiska platserna för att varna för potentiellt farliga situationer.
- 10.2 Särskild uppmärksamhet ska ägnas åt följande för att säkerställa att arbete med elektriska komponenter inte leder till att höljet påverkas på ett sådant sätt att skyddsnyvån påverkas. Detta omfattar skador på kablar, orimligt antal anslutningar, kontaktstift som inte tillverkats enligt den ursprungliga specifikationen, skador på packningar, felaktig insättning av körtlar m.m.
 - Se till att apparaten är säkert monterad.
 - Kontrollera att tätningarna eller tätningsmaterialen inte har försämrats så att de inte längre kan förhindra inträngning av brandfarlig atmosfär. Reservdelar ska följa tillverkarens specifikationer.

OBS! Användning av silikontätning kan hämma effektiviteten hos vissa typer av läckdedektionsutrustning. Komponenter som redan är säkra behöver inte isoleras före arbetet.

7.11 REPARATION AV KOMponenter SOM REDAN ÄR SÄKRA

Använd inga permanenta induktiv- eller kapacitansladdningar till kretsen utan att säkerställa att dessa inte kommer att överskrida tillåten spänning och kraftförsörjning för utrustningen. Komponenter som är säkra i sig själva är den enda typen av komponenter som får behandlas i en brandfarlig omgivning. Provtutrustningen ska ha korrekta märkvärden. Ersätt komponenterna endast med delar som rekommenderas av tillverkaren. Andra delar kan orsaka antändning av köldmedlet i vid läckage.

7.12 KABLAGE

Kontrollera att kablaget inte utsätts för slitage, korrosion, högt tryck, vibrationer, vassa kanter eller andra faror i arbetsmiljön. Även lång användningstid eller kontinuerliga vibrationer från källor som kompressorer eller fläktar ska kontrolleras.

7.13 DETEKTION AV BRANDFARLIGT KÖLDMEDEL

Under inga omständigheter ska möjliga antändningskällor användas i sökandet efter eller detektionen av köldmedel. En halogenlampa (eller någon annan detektor med öppen låga) ska inte användas.

7.14 LÄCKAGEDETEKTIONSMETODER

Följande läckdedektionsmetoder accepteras för system som innehåller brandfarliga köldmedel. Elektroniska läckdedektorer ska användas för att upptäcka lättantändliga köldmedel, men känsligheten kanske inte är korrekt eller behöver omkalibreras. (Detektionsutrustningen ska kalibreras i ett område fritt från köldmedel.) Kontrollera att detektorn är inte en potentiell antändningskälla och är lämplig för kylmedlet. Läckdedektionsutrustningen ska vara inställd på en procentandel av LFL ("Lower flammable limit") i köldmedlet och ska kalibreras till det köldmedel som används och den lämpliga procentandelen av gas (högst 25 %). Läckagedetektionsvätskor lämpar sig för användning med de flesta köldmedel, men användning av rengöringsmedel som innehåller klor ska undvikas eftersom klor kan reagera med köldmedlet och orsaka korrosion på kopparrören. Om läckage misstänks ska alla öppna lågor tas bort eller släckas. Om ett läckage av köldmedel uppstår och detta kräver lödning, ska allt köldmedel i systemet samlas upp eller isoleras (med hjälp av avstängningsventiler) i en del av systemet som är isolerad från läckan. Syrefritt kväve ska därefter blåsas in i systemet både före och under lödningsprocessen.

7.15 DEMONTERING OCH TÖMNING

När du tar dig in i köldmedelkretsen för att utföra reparationer av något slag ska beprövade metoder användas. Det är dock viktigt att bästa tillvägagångssätt följs eftersom det finns risk för antändning. Följande procedur ska följas:

- ta bort köldmedel
- rensa kretsen med inert gas
- töm
- rensa igen med inert gas
- öppna kretsen genom klippning eller lödning.

Det tillförda köldmedlet ska föras in i de korrekta återvinningscylindrarna. Systemet ska spolras med syrefritt kväve så att enheten blir säker. Processen kan behöva upprepas flera gånger.

Komprimerad luft eller syre får inte användas under denna procedur.

Genomför spolningen genom att bryta vakuum i systemet med syrefritt kväve och fortsätta fylla tills arbetstrycket uppnås. Därefter ska systemet avluftas och kvävet slutligen tas bort tills vakuum uppstår. Processen ska upprepas tills inget köldmedel finns kvar i systemet.

När den sista laddningen med syrefritt kväve används ska systemet ventileras ner till atmosfäriskt tryck för att arbetet ska kunna utföras. Denna åtgärd är helt avgörande om lödning av rören ska genomföras. Kontrollera att uttaget för vakuumpumpen inte befinner sig nära eventuella antändningskällor och att ventilation finns tillgänglig.

7.16 LADDNINGSPROCEDURER

Förutom vanliga laddningsprocedurer ska följande krav följas:

- Säkerställ att köldmedlen inte förorenas när laddningsutrustningen används. Slangar eller ledningar ska vara så korta som möjligt för att minimera mängden köldmedel som finns i dem.
- Cylindrar ska hållas upprätt.
- Se till att kylsystem är jordade innan kylmedel tillsätts.
- Markera på enheten när tillsättningen är genomförd (om sådan markering inte redan finns).
- Var mycket noga med att undvika för mycket olja i kylsystemet.
- Systemet ska trycktestas med syrefritt kväve innan det återfylls. Systemet ska täthetskontrolleras efter avslutad tillförsel, men innan det sätts i drift. En uppföljande täthetskontroll

7.17 AVVECKLING

Innan du genomför denna procedur är det mycket viktigt att personen som genomför arbetet är helt förtrogen med utrustningen och alla dess komponenter. Vi rekommenderar att bästa tillvägagångssätt följs så alla köldmedel tas till vara på ett säkert sätt. Innan uppgiften utförs ska ett olje- och kylmedelsprov tas.

I händelse av analys krävs före återanvändning av det insamlade köldmedlet. Det är viktigt att strömförsörjning är tillgänglig innan proceduren påbörjas.

- a) Se till att du har kunskap om utrustningen och hur den fungerar
- b) Se till att systemet är elektriskt isolerat
- c) Innan du genomför proceduren ska du se till att:
 - utrustning för mekanisk hantering är tillgänglig vid behov, för hantering av köldmedelscylindrar
 - all personlig skyddsutrustning finns tillgänglig och används korrekt
 - återställningsprocessen alltid övervakas av en behörig person
 - återställningsutrustningen och cylindrarna uppfyller lämpliga standarder
- d) Pumpa ner kylmedelsystemet, om möjligt.
- e) Om ett vakuum inte kan uppnås ska du föra in ett grenrör så att köldmedlet kan tas bort från olika delar av systemet.
- f) Se till att cylindern är placerad på vågen innan återställningen genomförs.
- g) Starta maskinen och kör enligt tillverkarens anvisningar.
- h) Överfyll inte cylindrarna. (Se till att volymen för den tillförda vätskan inte är mer än 80 %).
- i) Överskrid inte det maximala arbetstrycket för cylindern, inte ens tillfälligt.
- j) När cylindrarna är korrekt fyllda och processen har slutförts ska du se till att cylindrarna och utrustningen tas bort från platsen så snart som möjligt och att alla isoleringsventiler på utrustningen har stängts till.
- k) Insamlat köldmedel får inte föras in i ett annat kylmedelssystem om det inte är rengjort och har kontrollerats.

7.18 MÄRKNING

Utrustning ska märkas så att det framgår att den har demonterats och tömts på köldmedel. Märkningen ska vara daterad och underskriven. Se till att det finns etiketter på utrustningen som anger att utrustningen innehåller brandfarligt köldmedel.

7.19 INSAMLING

- Vid borttagning av köldmedel från ett system, antingen för reparation eller demontering, rekommenderar vi att allt köldmedel avlägsnas på ett säkert sätt.
- När köldmedel överförs till cylindrarna, ska du se till att endast lämpliga cylindrar för återvinning av kylmedel används. Kontrollera att ett tillräckligt antal cylindrar finns tillgängliga för att hålla systemets fullständiga innehåll. Alla cylindrar som ska användas är avsedda för det insamlade köldmedlet och har markerats för detta köldmedel (dvs. särskilda cylindrar för återvinning av köldmedel). Cylindrarna ska vara kompletta med säkerhetsventil och tillhörande avstängningsventiler i fullständigt fungerande skick.
- Tomma insamlingscylindrar ska tas ut och, om möjligt, få svalna innan insamlingen genomförs.
- Insamlingsutrustningen ska vara i fungerande skick med medföljande instruktioner, och ska vara lämpade för insamling av lättantändliga köldmedel. Dessutom ska en fungerande och kalibrerad vågutrustning finnas tillgänglig.
- Slangar ska vara hela och i gott skick med kopplingar fria från läckor. Innan du använder insamlingsmaskinen ska du kontrollera att den fungerar som den ska, har underhållits på rätt sätt och att alla tillhörande elektriska komponenter har förseglats för att förhindra antändning i händelse av att köldmedel skulle läcka ut. Kontakta tillverkaren om du är osäker.
- Det insamlade köldmedlet ska återlämnas till köldmedelsleverantören i korrekt återvinningscylinder med lämpligt meddelande till avfallsleverantören. Blanda inte köldmedel i insamlingsenheter, och särskilt inte i cylindrar.
- Om kompressorer eller kompressoroljor ska tas bort ska du säkerställa att de har tömts till en godkänd nivå för att säkerställa att antändningsbart köldmedel inte finns kvar i smörjmedlet. Tömningsprocessen ska genomföras innan kompressorn återlämnas till leverantörerna. Endast elvärmesystem till kompressorns enhet ska användas för att snabba upp processen. När olja töms ut ur systemet ska det genomföras försiktigt.

7.20 TRANSPORT, MÄRKNING OCH FÖRVARING AV ENHETER

1. Transport av utrustning som innehåller brandfarligt köldmedel
Efterlevnad av regler för transport
2. Märkning av utrustning med skyltar Efterlevnad av lokala bestämmelser
3. Avyttring av utrustning med lättantändligt köldmedel
Efterlevnad av nationella bestämmelser
4. Lagring av utrustning/vitvaror
Förvaring av utrustning ska ske enligt tillverkarens anvisningar.
5. Förvaring av packad (osåld) utrustning
Skydd för lagerpaket bör vara konstruerade så att mekaniska skador på utrustningen inne i paketen inte orsakar läckage av det tillsatta köldmedlet.
Det högsta antalet delar av utrustningen som får förvaras tillsammans fastställs enligt lokala föreskrifter.

Este produto está em conformidade com a Diretiva de baixa tensão (2014/35/UE) e a Diretiva de compatibilidade eletromagnética (2014/30/UE) da União Europeia.



Eliminação correta deste produto (Resíduos de equipamento elétrico e eletrónico)

(Quando utilizar o aparelho de ar condicionado na Europa, tem de cumprir as seguintes orientações)

- Esta marcação que se encontra no produto ou na documentação fornecida com o produto indica que não se devem misturar resíduos de equipamento elétrico e eletrónico (REEE, conforme a diretiva 2012/19/UE) com resíduos domésticos comuns. É proibido eliminar este aparelho com o lixo doméstico comum. Existem diversas possibilidades para a eliminação:
 1. A autarquia estabeleceu sistemas de recolha em que o utilizador pode eliminar gratuitamente os resíduos eletrónicos.
 2. Ao adquirir um novo produto, o revendedor recolhe gratuitamente o produto antigo.
 3. O fabricante recolhe gratuitamente o aparelho antigo que o utilizador quer eliminar.
 4. Uma vez que os produtos antigos contêm recursos valiosos, podem ser vendidos a um ferro-velho.

A eliminação ao ar livre em florestas e outras paisagens constitui um perigo para a saúde quando existem fugas de substâncias perigosas para as águas subterrâneas e daí para a cadeia alimentar.

Este produto contém gases fluorados ao abrigo do Protocolo de Quioto

Nome químico do gás	R32
Potencial de aquecimento global (PAG) do gás	675

⚠ ATENÇÃO

1. Cole a etiqueta do refrigerante incluída junto à localização de carga e/ou recuperação.
2. Escreva claramente na etiqueta do refrigerante a quantidade de refrigerante carregada, usando uma caneta de tinta indelével.
3. Evite emissões do gás fluorado no interior. Certifique-se de que o gás fluorado nunca é emitido para a atmosfera durante a instalação, assistência ou eliminação. Se for detetada qualquer fuga do gás fluorado no interior, esta deve ser interrompida e reparada logo que possível.
4. Só técnicos de assistência qualificados estão autorizados a aceder e prestar assistência a este produto.
5. Qualquer manuseamento do gás fluorado deste produto, como, por exemplo, ao mover o produto ou recarregar o gás, deve ser feito em conformidade com o Regulamento (CE) N.º 517/2014 relativo a determinados gases fluorados com efeito de estufa e qualquer legislação local relevante.
6. Se o sistema tiver instalado um sistema de deteção de fugas, este deve ser verificado quanto à existência de fugas, no mínimo, a cada 12 meses
7. Quando a unidade for verificada quanto à existência de fugas, recomenda-se vivamente que mantenha um registo adequado de todas as verificações.

Unidade interior	Unidade exterior	Tensão nominal e Hz
42QHP09E8S*	38QHP09E8S*	220-240V~, 50Hz
42QHP12E8S*	38QHP12E8S*	

O fabricante reserva-se o direito de mudar quaisquer especificações do produto sem aviso prévio.

ÍNDICE

1. PREPARATIVOS PARA INSTALAÇÃO.....	3
1.1 Precauções de segurança	3
1.2 Acessórios	5
1.3 Escolha do local de instalação	6
2. INSTALAÇÃO DA UNIDADE INTERIOR	7
2.1 Placa de montagem da unidade interior	7
2.2 Processo de instalação	8
3. INSTALAÇÃO DA UNIDADE EXTERIOR	9
3.1 Dimensões de montagem da unidade exterior	9
3.2 Requisitos de espaço para a unidade exterior	9
3.3 Ligação elétrica exterior	10
3.4 Instalação da unidade exterior	10
3.5 Instalação do tubo de drenagem para a unidade exterior	10
4. INSTALAÇÃO DOS TUBOS DE REFRIGERANTE	11
4.1 Alargamento	11
4.2 Instalação da tubagem	11
4.3 Tubo de refrigerante	12
4.4 Evacuação de ar	12
4.5 Teste de fugas	12
5. CABLAGEM	13
6. VERIFICAÇÕES FINAIS E FUNCIONAMENTO EXPERIMENTAL.....	14
6.1 Lista de verificações finais.....	14
6.2 Funcionamento manual	14
6.3 Funcionamento experimental	14
7. INFORMAÇÃO DE ASSISTÊNCIA	15



Precaução: Risco de incêndio apenas para o líquido refrigerante R32/R290

1.1 PRECAUÇÕES DE SEGURANÇA

- A instalação, o arranque e a assistência aos aparelhos de ar condicionado podem ser perigosos devido a pressões do sistema, a componentes elétricos e à localização do equipamento (telhados, estruturas elevadas, etc.).
- Apenas técnicos de instalação e mecânicos de assistência qualificados e com formação adequada estão autorizados a instalar, colocar em funcionamento e prestar assistência a este equipamento.
- Ao trabalhar no equipamento, cumpra as precauções mencionadas na literatura e nas etiquetas, autocolantes e rótulos anexos ao equipamento.
- Cumpra todos os códigos de segurança. Use óculos de segurança e luvas de trabalho. Mantenha um pano de extinção e o extintor de incêndios por perto ao fazer a brasagem. Tenha cuidado ao manusear, instalar e colocar equipamentos volumosos.
- Leia estas instruções até ao fim e cumpra todos os avisos ou advertências incluídos na literatura e anexados à unidade. Consulte os requisitos especiais nos códigos de construção locais e no Código elétrico nacional.

AVISO

Este símbolo indica a possibilidade de ferimentos pessoais ou perigo de vida.

- **O gás refrigerante é mais pesado do que o ar e substitui o oxigénio. Uma fuga de grande dimensão pode levar ao esgotamento do oxigénio, especialmente em caves, podendo ocorrer o risco de asfixia e, conseqüentemente, ferimentos graves ou a morte.**
- **Quando o aparelho de ar condicionado estiver instalado numa divisão pequena, tome as medidas adequadas para assegurar que a concentração de fuga de refrigerante que ocorre na divisão não excede o nível crítico.**
- **Se se verificar uma fuga do gás refrigerante durante a instalação, ventile imediatamente a área.**
O gás refrigerante pode produzir um gás tóxico se entrar em contacto com o fogo, como por exemplo através de um termoventilador, fogão ou aparelho de cozinha. A exposição a este gás pode provocar ferimentos graves ou morte.
- **Desligue o aparelho da fonte de alimentação antes de tentar efetuar qualquer trabalho elétrico. Ligue corretamente o cabo de ligação.**
Uma ligação incorreta pode danificar os componentes elétricos.
- **Utilize os cabos especificados para ligações elétricas e ligue firmemente os fios elétricos às secções de ligação da placa de terminais, para que não seja aplicada força externa no terminal.**
- **Certifique-se de que existe ligação à terra.**
Não ligue o cabo de terra das unidades a tubos de gás, tubos de água, hastes do para-raios nem fios do telefone. Uma ligação à terra incompleta pode provocar um risco grave de choque elétrico, resultando em ferimentos ou morte.
- **Elimine os materiais de embalagem em segurança.**
Os materiais de embalagem, tais como pregos e outras peças de metal ou de madeira, podem provocar vários ferimentos. Desfaça e elimine os sacos de plástico para que as crianças não brinquem com eles. Ao brincarem com sacos de plástico, as crianças correm o risco de sufocar.
- **Não instale a unidade junto a concentrações de gás combustível ou vapores de gás.**
- **Certifique-se de que utiliza as peças de instalação fornecidas ou especificadas.**
A utilização de outras peças pode fazer com que a unidade se solte, levar a vazamentos de água, choques elétricos, incêndio ou danos no equipamento.
- **Ao instalar o sistema ou mudar a respetiva localização, não permita a entrada de ar ou quaisquer substâncias para além do refrigerante especificado (R410A) no ciclo de refrigeração.**
- **Nunca modifique esta unidade removendo qualquer uma das grelhas de proteção ou ignorando qualquer um dos interruptores de bloqueio de segurança.**
- **As instalações elétricas devem ser executadas em conformidade com o manual de instalação e os códigos de ligação elétrica nacionais e locais.**

AVISO

- **Utilize um circuito de alimentação dedicado. Nunca partilhe a mesma tomada elétrica com outro aparelho.**
- **Para evitar quaisquer riscos devido a reposição inadvertida da proteção térmica, este aparelho não pode receber alimentação de um dispositivo de comutação externo, como um temporizador, nem ser ligado a um circuito que o serviço ligue e desligue regularmente.**
- **Utilize os cabos indicados para as ligações elétricas com isolamento protegidos por uma manga isoladora com uma classificação de temperatura adequada.**
Os cabos não compatíveis podem causar fugas elétricas, aquecimento anormal ou incêndio.
- **Para limpar ou acelerar o processo de descongelamento, não utilize meios diferentes dos recomendados pelo fabricante.**
- **O aparelho tem de ser guardado numa divisão sem fontes de ignição de funcionamento contínuo (por exemplo: chamas abertas, aparelhos a gás ou um aquecedor elétrico em funcionamento)**
- **Não fure nem queime.**
- **Atenção porque os refrigerantes podem não ter cheiro.**
- **O aparelho tem de ser conservado numa área bem ventilada, onde a dimensão da divisão corresponda à área da divisão especificada para operação.**
- **Para modelos com refrigerante R32:**
O aparelho tem de ser instalado, operado e conservado numa divisão com uma área superior a 4 m². O aparelho não pode ser instalado num espaço sem ventilação, se esse espaço for inferior a 4 m².
- **Para modelos com refrigerante R290, o tamanho de divisão mínimo necessário:**
<=9000 Btu/h unidades: 13 m²
>9000 Btu/h e <=12 000 Btu/h unidades: 17 m²
>12 000 Btu/h e <=18 000 Btu/h unidades: 26 m²
>18 000 Btu/h e <=24 000 Btu/h unidades: 35 m²

ATENÇÃO

Este símbolo indica a possibilidade de ocorrência de danos materiais ou conseqüências graves.

- **Para evitar ferimentos, tenha cuidado ao manusear peças com arestas vivas.**
- **Não instale as unidades interior ou exterior numa localização com condições ambientais especiais.**
- **Não efetue a instalação num local onde o nível de ruído da unidade possa ser ampliado ou onde o ruído e o ar libertados possam incomodar os vizinhos.**
- **Execute o trabalho de drenagem/tubagem de um modo seguro, de acordo com o manual de instalação.**
Uma drenagem incorreta dos tubos pode levar a vazamento de água e provocar danos materiais.
- **Não instale o aparelho de ar condicionado nos seguintes locais.**
 - Um local onde haja óleo mineral ou ácido arsénico.
 - Um local onde se possa acumular gás corrosivo (como gás de ácido sulfúrico) ou gás combustível (como diluente), ou onde se trabalha com substâncias voláteis combustíveis.
 - Um local onde o equipamento gera campos eletromagnéticos ou harmónicas de alta frequência.
- **O aparelho tem de ser guardado de forma a evitar danos mecânicos.**
- **Qualquer pessoa que trabalhe ou faça intervenções em circuitos de refrigerantes deve ser titular de um certificado válido atual emitido por uma autoridade de avaliação acreditada na indústria. O certificado deverá confirmar a sua competência para lidar, de forma segura, com refrigerantes nos termos de uma especificação de avaliação reconhecida da indústria.**

1.2 ACESSÓRIOS

Os seguintes acessórios são fornecidos com a unidade. O tipo e a quantidade podem variar consoante as especificações.

Nome dos acessórios	Qtd (pç)	Forma	Nome dos acessórios	Qtd (pç)	Forma
Manual	3		Telecomando	1	
Saída de drenagem	1		Pilhas	2	
Junta	1		Suporte para telecomando	1	
Placa de instalação	1		Parafuso B	2	
Fixação	5		Filtro pequeno	1	
Parafuso A	5		Anel magnético (algumas unidades)	N*	

* consoante o número efetivo de unidades

1.3 ESCOLHA DO LOCAL DE INSTALAÇÃO

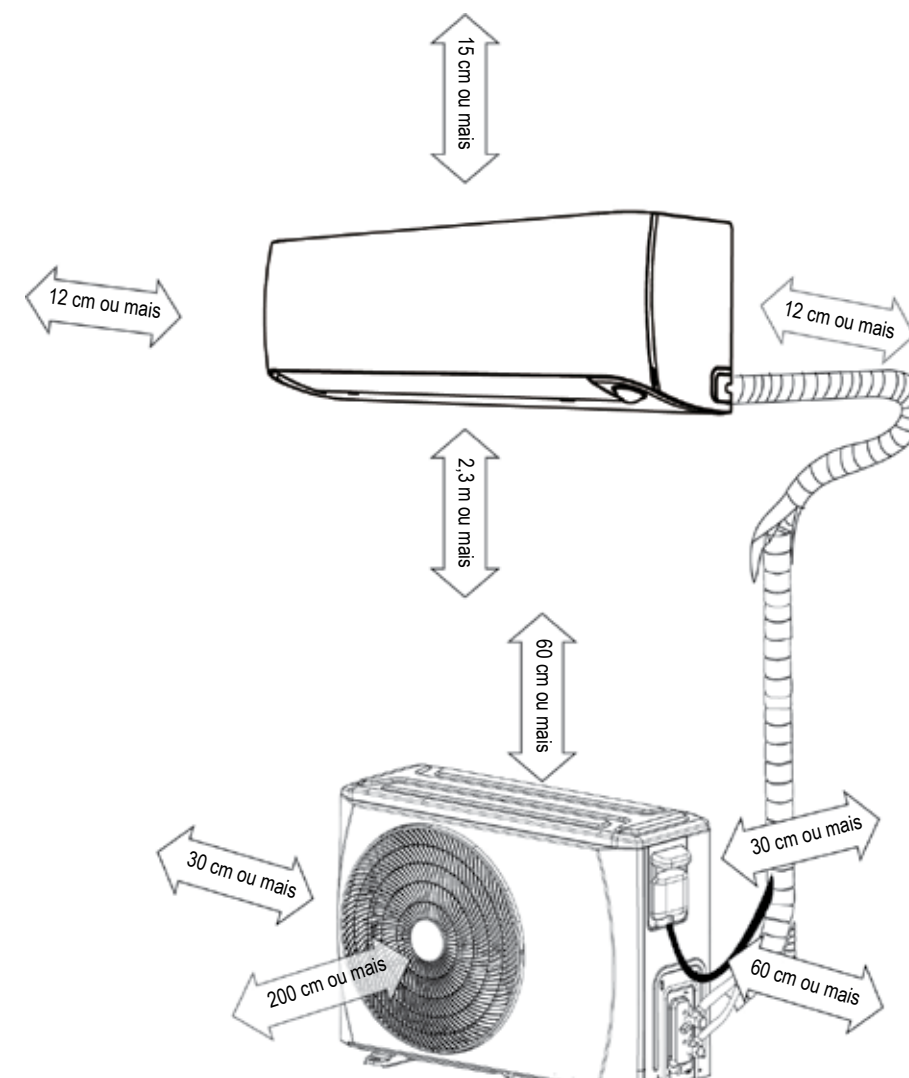
Unidade interior

- Uma localização que suporte o peso da unidade interior.
- Não instale unidades interiores próximo de uma fonte direta de calor, como luz solar direta ou um aquecedor.
- Uma localização onde haja espaço livre suficiente, conforme indicado na figura abaixo.
- As partes móveis do aparelho têm de ser instaladas/estar localizadas a um nível superior a 2,3 metros em relação ao chão.

Unidade exterior

- Uma localização que seja prática para a instalação e que não esteja exposta a ventos fortes. Se a unidade estiver exposta a ventos fortes, recomenda-se a utilização de um defletor de vento.
- Uma localização que suporte o peso da unidade exterior e onde esta possa ser montada numa posição nivelada.
- Uma localização onde haja espaço livre suficiente, conforme indicado na figura abaixo.

Não instale as unidades interior ou exterior numa localização com condições ambientais especiais. Confirme que existe espaço suficiente para a instalação e a manutenção.



Nota: Assegure a manutenção dos espaços livres indicados pelas setas em relação à parede, ao teto, à vedação ou a outros obstáculos.

A instalação da tubagem é possível nas direções traseira, esquerda, traseira esquerda e direita.

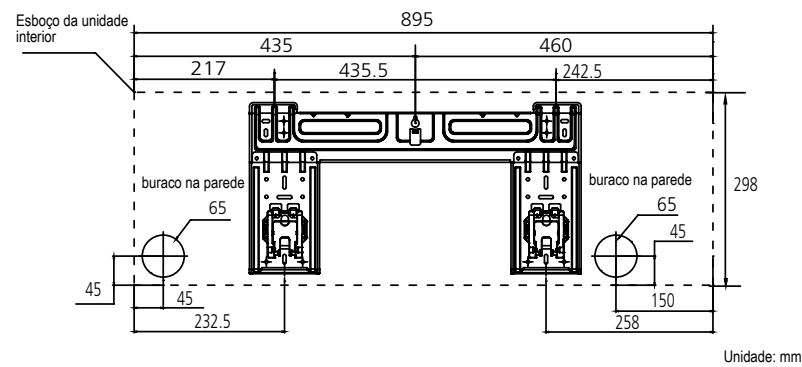
Tape o orifício de drenagem, não utilizado, com o bujão de borracha fornecido.

Corte o painel de acesso de acordo com o tamanho da tubagem.

panel de acesso

2. INSTALAÇÃO DA UNIDADE INTERIOR

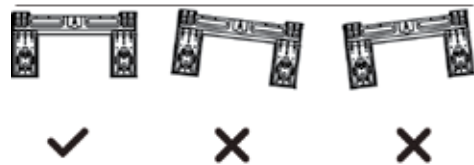
2.1 PLACA DE MONTAGEM DA UNIDADE INTERIOR



Nota: Quando o tubo de ligação do lado do gás tem Ø16 mm ou mais, o orifício do tubo deve ter 90 mm.

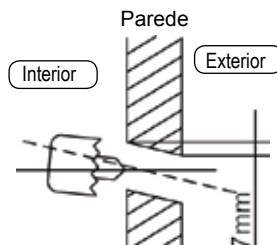
■ Instalação da placa de montagem

Fixe a placa de montagem horizontalmente e nivele-a na parede com cinco ou mais parafusos do tipo A.



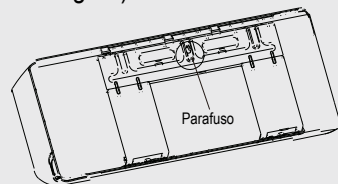
■ Perfuração do orifício na parede

Faça um orifício de 65 mm ou 90 mm (dependendo dos modelos) na parede que está ligeiramente inclinada para o exterior.



Nota:

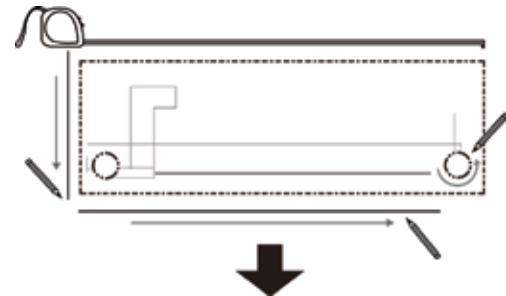
■ A placa de instalação é fixada com um parafuso para facilitar o envio. Remova o parafuso antes de proceder à instalação. (consultar figura)



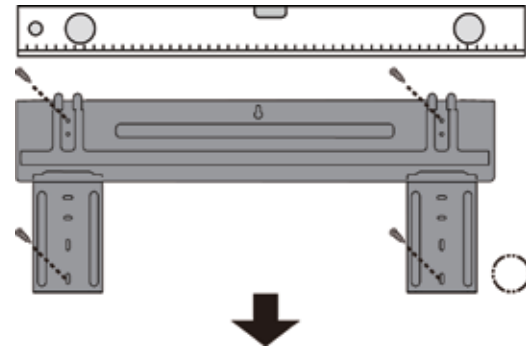
■ A placa de montagem será idêntica a uma das imagens, consoante o tamanho da unidade. Os orifícios de fixação devem ter 5 mm.

2.2 PROCESSO DE INSTALAÇÃO

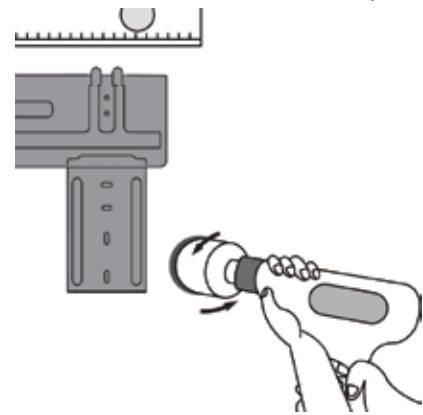
Passo 1: Determinar a posição do orifício na parede



Passo 2: Fixar a placa de montagem

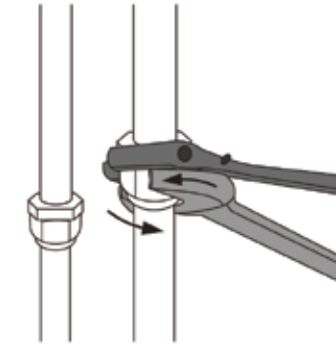


Passo 3: Perfurar o orifício na parede

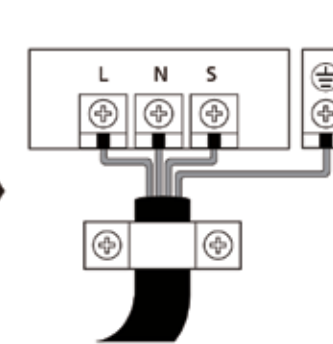


2. INSTALAÇÃO DA UNIDADE INTERIOR

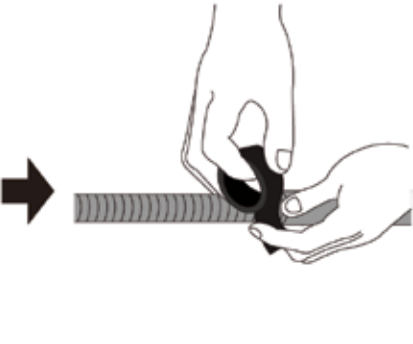
Passo 4: Ligar o tubo



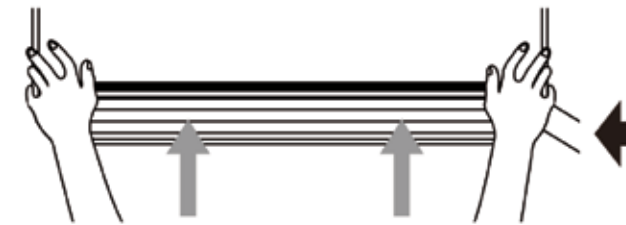
Passo 5: Ligar os fios



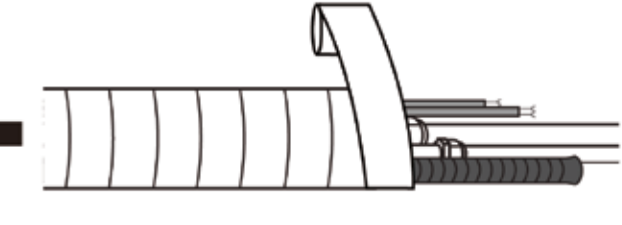
Passo 6: Preparar a mangueira de drenagem



Passo 8: Fixar a unidade interior

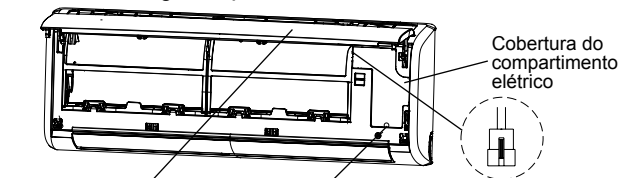


Passo 7: Envolver o tubo e o cabo

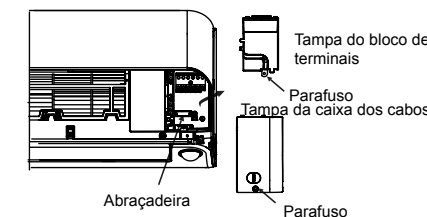


■ Ligação elétrica interior

1. Levante o painel frontal da unidade interior.
2. Abra a cobertura do compartimento elétrico da unidade interior com uma chave de fendas através do orifício, retire a cobertura da placa de terminais manualmente e retire o grampo dos cabos desapertando os parafusos.
3. Passe os fios de ligação pela parte posterior da unidade interior e ligue à placa de terminais interior.



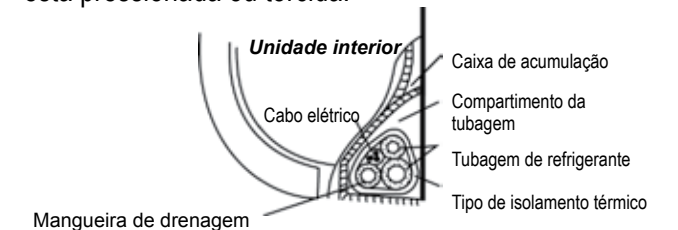
Abra a cobertura a partir deste orifício



■ Envolvimento do tubo

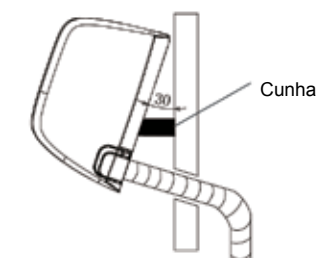
Para uma orientação correta da tubagem do refrigerante, do cabo elétrico e das linhas de drenagem, consulte a figura abaixo:

- Coloque a mangueira de drenagem por baixo da tubagem de refrigerante.
- Certifique-se de que a mangueira de drenagem não está pressionada ou torcida.



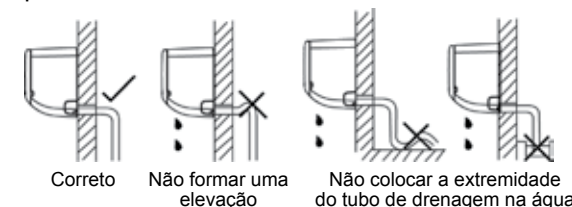
■ Fixação da unidade interior

1. Passe os tubos de refrigerante pelo orifício na parede.
2. Fixe a unidade interior no gancho superior da placa de montagem e, de seguida, empurre a parte inferior da unidade interior para cima na parede, para o gancho inferior.
3. Desloque a unidade interior de um lado para o outro e de cima para baixo para verificar se está bem fixada.



■ Drenagem

A linha de drenagem não pode ter nenhuma dobra ao longo do seu comprimento, tem de estar inclinada para baixo e tem de ser isolada até à parte exterior da parede.



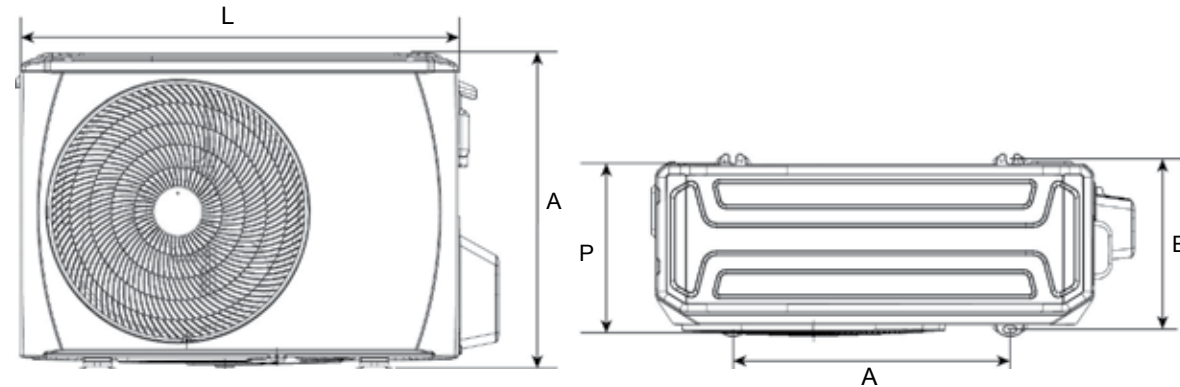
⚠ ATENÇÃO

- As partes do conector do tubo de ligação devem ser colocadas no exterior.

3. INSTALAÇÃO DA UNIDADE EXTERIOR

3.1 DIMENSÕES DE MONTAGEM DA UNIDADE EXTERIOR

As dimensões de montagem variam consoante as diferentes unidades exteriores.
O diâmetro da cabeça do parafuso de fixação deve ser superior a 12 mm.

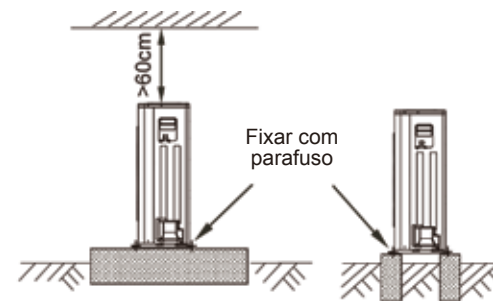
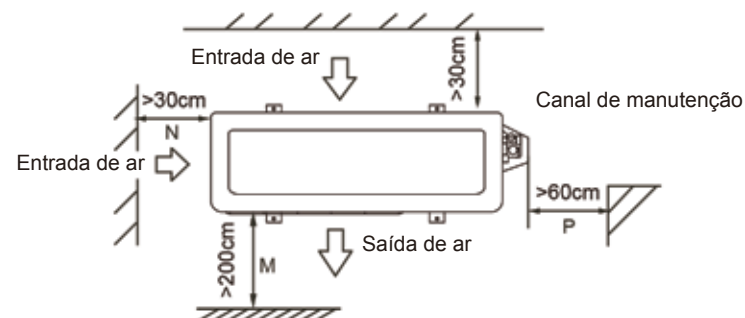


Dimensões da unidade exterior (mm)			Dimensões de montagem (mm)		
Unidade exterior	L	A	P	A	B
38QHP09E8S 38QHP12E8S	800	554	333	515	340

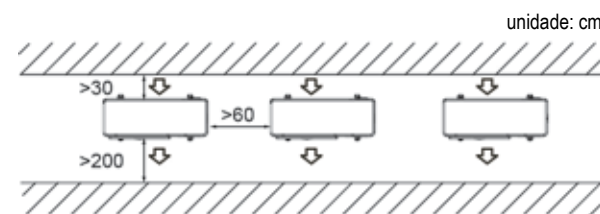
3.2 REQUISITOS DE ESPAÇO PARA A UNIDADE EXTERIOR

Instalação de uma única unidade

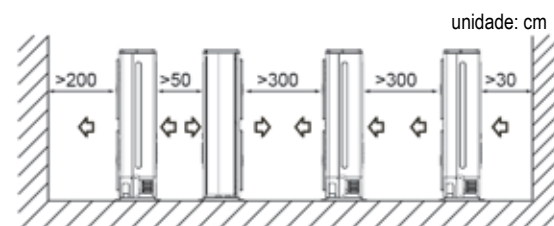
(Parede ou obstáculo)



Ligação paralela de duas unidades ou mais



Ligação paralela das partes frontais e traseiras



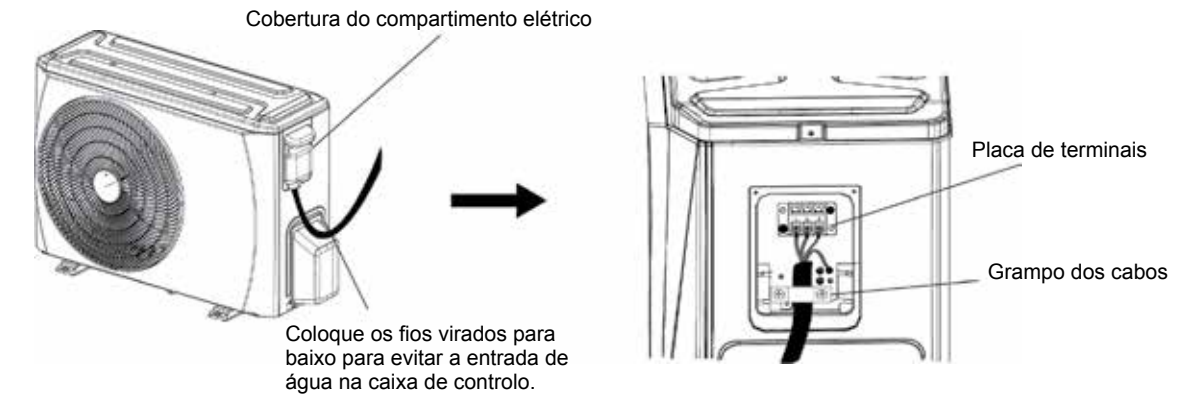
ATENÇÃO

- Em regiões com neve e baixas temperaturas, evite instalar a unidade exterior em áreas onde possa ficar coberta de neve. Se houver previsão de muita neve, deve ser instalado um suporte para gelo ou neve (não fornecido) e/ou um defletor de vento (não fornecido) para evitar a acumulação de neve na unidade e/ou o bloqueio da entrada de ar.

3. INSTALAÇÃO DA UNIDADE EXTERIOR

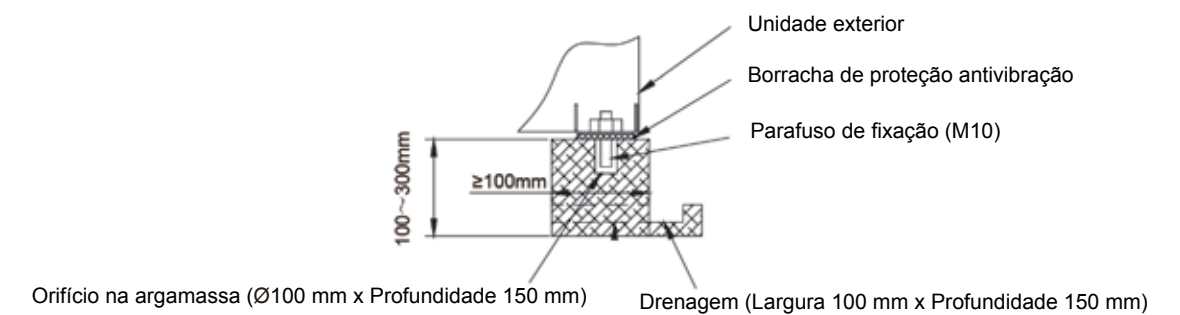
3.3 LIGAÇÃO ELÉTRICA EXTERIOR

- Retire a cobertura do compartimento elétrico e o grampo dos cabos desapertando os parafusos.
- Ligue os fios à placa de terminais exterior pela mesma ordem que para a unidade interior.



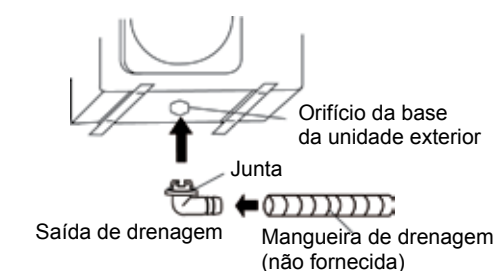
3.4 INSTALAÇÃO DA UNIDADE EXTERIOR

- Antes da instalação, verifique a resistência e a horizontalidade da base, para que não haja geração de ruídos anómalos.
- Fixe a base firmemente com parafusos de fixação (M10) para evitar que caia.
- Instale a base e as borrachas de proteção antivibração para suportar diretamente a superfície do fundo da perna de fixação que está em contacto com a placa inferior da unidade exterior.



3.5 INSTALAÇÃO DO TUBO DE DRENAGEM PARA A UNIDADE EXTERIOR

- Ligue a saída de drenagem a uma mangueira de extensão de drenagem
- Encaixe a junta na saída de drenagem.
- Insira a saída de drenagem no orifício da base da unidade exterior e rode 90 graus para uma montagem segura.



ATENÇÃO

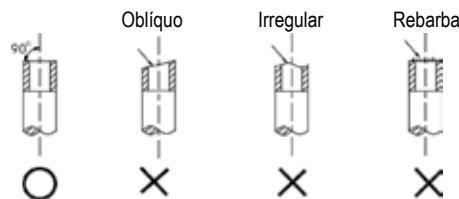
- Verifique se a diferença de altura entre a unidade interior e a unidade exterior e o comprimento total do tubo de refrigerante cumprem os requisitos do sistema.
- A instalação dos tubos de refrigerante é efetuada após a instalação das unidades interior e exterior; ligue primeiro o tubo do lado interior e, em seguida, do lado exterior.
- Mantenha sempre as extremidades dos tubos seladas com uma tampa ou fita adesiva durante a instalação e NÃO as retire enquanto não estiver pronto para ligar os tubos.
- Certifique-se de que isola todos os tubos instalados no terreno até à ligação dos tubos dentro da unidade. Qualquer tubo exposto pode originar condensação ou queimaduras ao toque.
- Quando a unidade exterior estiver na posição superior e a diferença de nível for superior a 10 m, recomenda-se que instale uma curva de retorno do óleo a cada 5 a 8 m no tubo de gás. O raio da curva de retorno do óleo deve ser superior a 10 cm.

4.1 ALARGAMENTO

NOTA

- As ferramentas necessárias para o alargamento são o corta-tubos, escareador, abocardador e suporte de tubos.
- Para os modelos com líquido refrigerante R32, os pontos de conexão do tubo devem ser colocados fora da divisão.

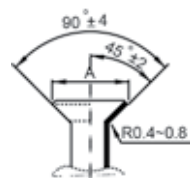
4.1.1 Utilização de um corta-tubos para cortar o tubo no comprimento pretendido. Certifique-se de que a extremidade cortada se mantém a 90° em relação à parte lateral do tubo.



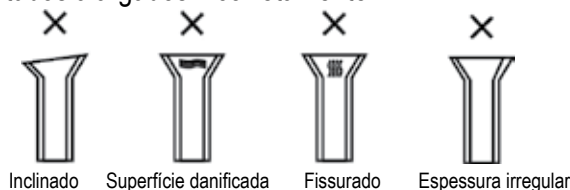
4.1.2 Utilize um escareador para retirar as rebarbas com a superfície de corte para baixo, para que as lascas não entrem no tubo.

4.1.3 Alargue o tubo utilizando abocardadores, como mostrado abaixo.

Diâmetro externo	A (mm)	
	Máx.	Mín.
Ø6,35 mm	8,7	8,3
Ø9,52 mm	12,4	12,0
Ø12,7 mm	15,8	15,4
Ø15,88 mm	19,0	18,6
Ø19,05 mm	23,3	22,9



4.1.4 Verifique se o alargamento foi efetuado corretamente. Consulte abaixo um exemplo de tubos alargados incorretamente.

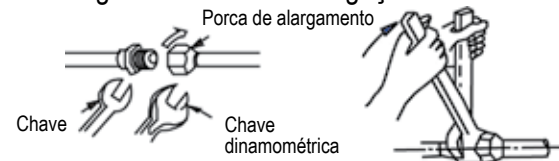


ATENÇÃO

- Caso haja necessidade de brasagem, trabalhe com sopramento de gás nitrogénio.
- Um binário inadequado provoca danos no alargamento ou fugas de gás.

4.2 INSTALAÇÃO DA TUBAGEM

4.2.1 Alinhe o centro para apertar a porca de alargamento e finalize a ligação com duas chaves.



Dimensão do tubo	Binário
Ø6,35 mm	18 ~ 20 N.m
Ø9,52 mm	25 ~ 26 N.m
Ø12,7 mm	35 ~ 36 N.m
Ø15,88 mm	45 ~ 47 N.m
Ø19,05 mm	65 ~ 67 N.m

4.2.2 Selecione o material de isolamento adequado para o tubo de refrigerante (mín. 10 mm, espuma de isolamento térmico C)

- Utilize tubos de isolamento térmico separados para os tubos de gás e de líquido.
- A espessura acima é padrão para uma temperatura interior de 27 °C e humidade de 80%. Se a instalação for efetuada em condições desfavoráveis, como perto de casas de banho, cozinhas e outras localizações semelhantes, reforce o isolamento.
- A temperatura de resistência ao calor do material de isolamento deve ser superior a 120 °C.
- Utilize fita adesiva na secção de ligação do isolamento para impedir a entrada de humidade.
- Repare e cubra possíveis fissuras no isolamento, verificando especialmente a parte curva ou a fixação do tubo.

4.3 TUBO DE REFRIGERANTE

Nota: o líquido refrigerante deve ser carregado a partir da porta de serviço na válvula de baixa pressão da unidade externa.

	Comprimento mínimo para reduzir vibrações e ruídos fora do normal	Comprimento sem carga	Carga adicional por metro	
			Lado do líquido: Ø6,35 mm	Lado do líquido: Ø9,52mm
R32*	3 m	5 m	12 g	24 g

* Utilize ferramentas para o sistema R32.

NOTA

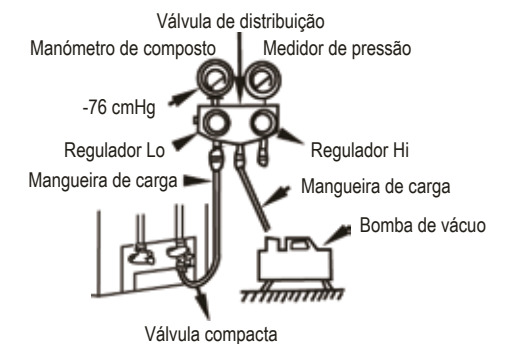
- O comprimento alargado do tubo afetará a capacidade e a eficiência energética da unidade.
- A eficiência nominal é testada com base num comprimento do tubo de 5 metros.
- Quando o comprimento do tubo é superior a 5 m, o refrigerante adicional deve ser adicionado em função do comprimento do tubo.
- O comprimento máximo do tubo recomendado é descrito abaixo.

Modelos	Inversor R32	
	Comprimento máximo do tubo (m)	Diferença de altura máxima (m)
9K/12K	25	10

* Utilize ferramentas para o sistema R32.

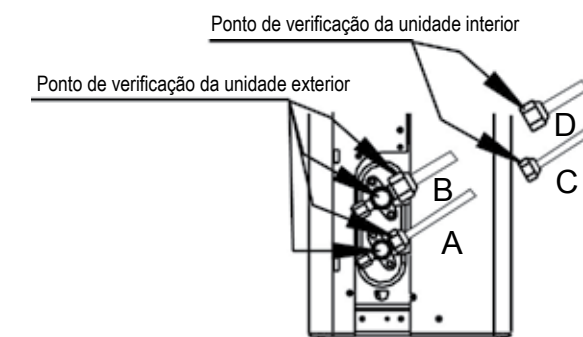
4.4 EVACUAÇÃO DE AR

- Ligue a mangueira de carga do manómetro ao orifício de serviço da válvula compacta do lado do gás.
- Ligue a mangueira de carga ao orifício da bomba de vácuo.
- Abra completamente o regulador Lo do manómetro.
- Coloque a bomba de vácuo em funcionamento para evacuar o ar do sistema até -76 cmHg.
- Feche o regulador Lo do manómetro.
- Abra completamente a haste das válvulas compactas.
- Retire a mangueira de carga do orifício de serviço.
- Aperte bem as tampas da válvula compacta.



4.5 TESTE DE FUGAS

Após terminar a instalação da tubagem, certifique-se de que verifica as ligações de cada tubo de refrigerante e confirma que não existem fugas de gás, aplicando água saponácea ou utilizando um detetor de fugas específico para refrigerantes HFC. Consulte a imagem abaixo para referência.



A: Válvula de fecho de baixa pressão B: Válvula de fecho de alta pressão
C e D: Porcas de alargamento da unidade interior

ATENÇÃO

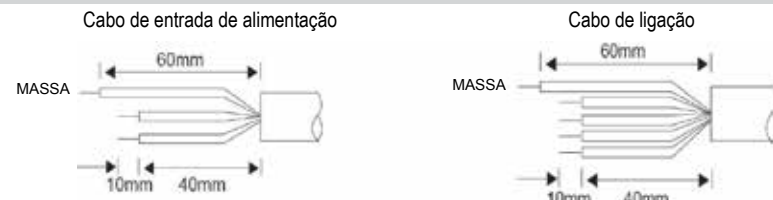
- Todas as ligações elétricas têm de ser executadas por pessoal de instalação qualificado e todas as cablagens têm de ser ligadas em conformidade com o diagrama de ligações.
- Efetue uma ligação à terra antes de quaisquer outras ligações elétricas.
- Todas as fontes de alimentação têm de ser desligadas antes da instalação elétrica; não ligue a alimentação antes de se certificar da segurança de todas as cablagens.
- É necessário instalar um interruptor principal e disjuntor ou fusível com capacidade superior a 1,5 vezes a corrente máxima no circuito.
- É necessário estar disponível uma derivação individual e uma tomada exclusivas para este aparelho.
- A secção transversal da cablagem depende da corrente nominal e dos códigos elétricos nacionais, estaduais e locais. Consulte os requisitos especiais nos códigos de construção locais e no Código elétrico nacional.
- Se o cabo de alimentação estiver danificado, tem de ser substituído pelo fabricante, pelo representante da assistência ou por pessoas com qualificação semelhante, de forma a evitar riscos.
- A unidade tem de estar ligada à fonte de alimentação principal através de um disjuntor ou interruptor com, pelo menos, 3 mm de separação de contactos em todos os polos. Recomenda-se a instalação de um dispositivo de corrente residual (residual current device, RCD) com uma corrente residual nominal de funcionamento até 30 mA.
- Este aparelho integra uma ligação de terra apenas para fins de funcionamento.

Corrente nominal de cada modelo

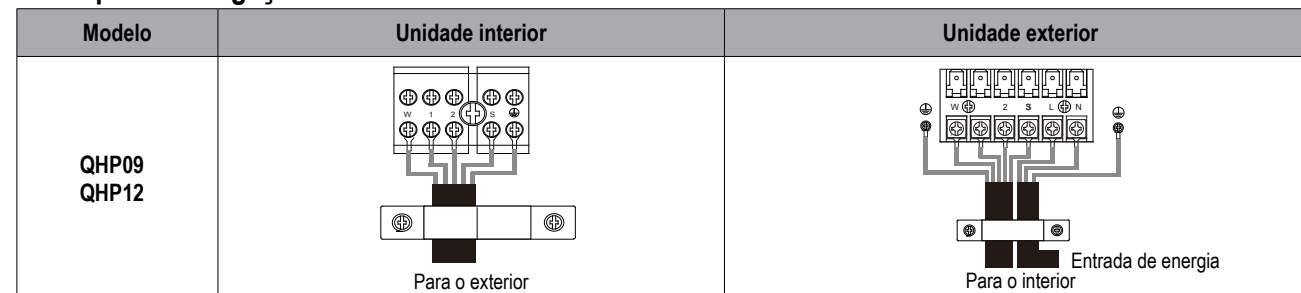
Modelo	Corrente nominal (A)	Classificação do fusível (A)	Cabo de entrada de alimentação (com secção transversal mín.)	Cabo de ligação (com secção transversal mín.)
38QHP09E8S	10,0	16	3*1,5 mm ²	5*1,5 mm ²
38QHP12E8S	13,0	20	3*1,5 mm ²	5*1,5 mm ²

NOTA:

1. Todos os fios de alimentação devem ter os tamanhos adequados de acordo com os códigos de cablagem elétrica nacionais, federais e locais. Consulte os requisitos especiais nos códigos de construção locais e no Código elétrico nacional.
2. O cabo de alimentação exterior e o cabo de interligação devem ser do tipo H07RN-F.
3. A corrente nominal do aparelho está indicada na placa de nome.
4. A especificação do fusível da unidade exterior é T20 A/250 VCA (apenas aplicável a unidades que adotam o líquido refrigerante R32) Nota: O fusível é feito de cerâmica.



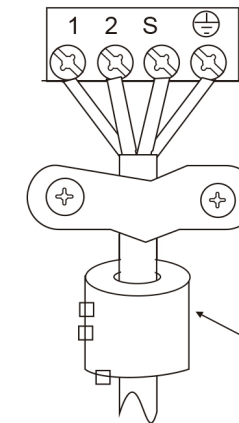
Esquema de ligações



Installation av magnetisk ring

Obs! Uttagsplinten kan vara annorlunda på vissa modeller.

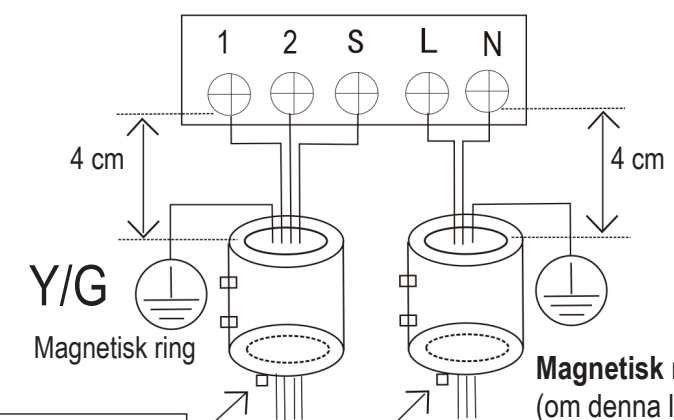
Inomhusenhet



Magnetisk ring

(om denna levereras tillsammans med de andra tillbehören)
För remmen genom hålet i den magnetiska ringen för att fästa den vid kabeln

Utomhusenhet



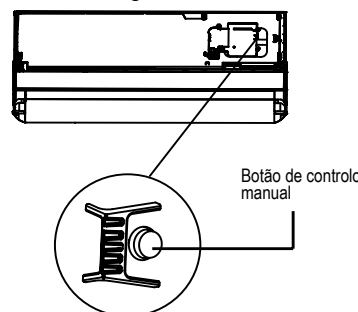
För remmen genom hålet i den magnetiska ringen för att fästa den vid kabeln

Magnetisk ring (om denna levereras tillsammans med de andra tillbehören)

6.1 LISTA DE VERIFICAÇÕES FINAIS

Para concluir a instalação, execute as seguintes verificações antes do funcionamento experimental.

- Força do local de instalação, tanto no interior como no exterior; confirmar ausência de obstruções na saída ou no retorno de ar da unidade.
- Estanqueidade da ligação do tubo de refrigerante e confirmar ausência de fugas
- Conclusão correta das ligações elétricas e ligação correta da unidade à terra
- Verificar o comprimento total dos tubos e registrar o volume do refrigerante adicional carregado
- A fonte de alimentação deve corresponder à tensão nominal do aparelho de ar condicionado
- Isolamento do tubo
- Drenagem



6.2 FUNCIONAMENTO MANUAL

É possível aceder ao funcionamento manual premindo o botão manual. Prima repetidamente o botão manual para mudar os modos da seguinte forma:

- Uma vez = modo AUTO (Automático) [calor, frio ou ventilação, 24 °C e velocidade automática da ventilação].
- Duas vezes = modo COOLING (Arrefecimento) [muda para modo AUTO após 30 minutos (utilizado principalmente para funcionamento experimental)]
- Três vezes = OFF (Desligar)

6.3 FUNCIONAMENTO EXPERIMENTAL

Configure o aparelho de ar condicionado no modo COOLING (Arrefecimento) com o telecomando (ou botão manual) e verifique o estado de funcionamento da unidade interior e da unidade exterior. Em caso de avaria, resolva-a de acordo com o capítulo "Resolução de problemas" no "Manual de assistência".

Unidade interior

- Se os botões (por exemplo ON/OFF (Ligar/Desligar), MODE (Modo), TEMPERATURE (Temperatura), FAN SPEED (Velocidade do ventilador), etc.) no telecomando funcionam bem.
- Se a grelha se move normalmente.
- Se a temperatura ambiente está bem ajustada.
- Se as luzes indicadoras do painel de visualização estão normais.
- Se o botão "manual" funciona bem.
- Se a drenagem é normal.
- Se existem vibrações ou um ruído anormal durante o funcionamento.
- Se a unidade interior funciona bem no modo COOLING (Arrefecimento) ou HEATING (Aquecimento).

Unidade exterior

- Se existem vibrações ou um ruído anormal durante o funcionamento.
- Se o fluxo de ar, ruído ou condensação de água gerado (a) pelo aparelho de ar condicionado perturbam o ambiente.
- Se existem fugas de refrigerante.

⚠ ATENÇÃO

- Ao reiniciar a unidade, terá aproximadamente 3 minutos de desfasamento para o funcionamento de proteção do compressor.

7.1 VERIFICAÇÕES DA ÁREA

Antes de iniciar qualquer trabalho em sistemas contendo refrigerantes inflamáveis, é necessário realizar verificações de segurança para minimizar o risco de ignição. Para as reparações do sistema de refrigeração, é necessário seguir as precauções indicadas em seguida antes de realizar qualquer trabalho no sistema.

7.2 PROCEDIMENTO DE TRABALHO

Os trabalhos devem ser realizados de acordo com um procedimento controlado, para minimizar o risco da presença de um gás ou vapor inflamável enquanto os trabalhos estão a decorrer.

7.3 ÁREA DE TRABALHO GERAL

Todo o pessoal de manutenção, bem como todas as pessoas que estão a trabalhar na área, devem ser informados sobre a natureza do trabalho que está a ser realizado. Deve evitar-se trabalhar em espaços confinados. A área à volta do espaço de trabalho deve ser seccionada. Certifique-se de que as condições dentro da área são seguras no que se refere ao controlo de material inflamável.

7.4 VERIFICAÇÃO DA PRESENÇA DE REFRIGERANTE

A área deve ser verificada com um detetor de refrigerante adequado antes do trabalho e durante a sua realização, para o técnico estar consciente de atmosferas potencialmente inflamáveis. Certifique-se de que o equipamento de deteção de fugas que está a ser utilizado é adequado para uso com refrigerantes inflamáveis, ou seja, não produz faíscas, está devidamente selado ou é intrinsecamente seguro.

7.5 PRESENÇA DE EXTINTOR DE INCÊNDIO

Aquando da realização de trabalhos a quente no equipamento de refrigeração ou em quaisquer peças associadas, é necessário ter à mão equipamento de combate a incêndio. Tenha um extintor de incêndio de pó seco ou CO₂ adjacente à área de carga.

7.6 SEM FONTES DE IGNIÇÃO

Qualquer pessoa que execute um trabalho num sistema de refrigeração que implique expor tubagens contendo, ou que contiveram, refrigerante inflamável, não pode usar qualquer tipo de fonte de ignição que possa induzir o risco de incêndio ou explosão. Deve manter-se uma distância suficiente entre todas as possíveis fontes de ignição, incluindo fumar, e o local de instalação, reparação, remoção e eliminação, onde exista a possibilidade de libertação de refrigerante inflamável para o espaço circundante. Antes da realização do trabalho, é necessário inspecionar a área em redor do equipamento para ter a certeza de que não há risco de inflamação ou ignição. Devem ser colocados sinais de "NÃO FUMAR".

7.7 ÁREA VENTILADA

Certifique-se de que a área é ao ar livre ou de que possui ventilação adequada antes de intervencionar o sistema ou de realizar qualquer trabalho a quente. É necessário haver sempre ventilação durante a realização do trabalho. A ventilação deve dispersar em segurança qualquer refrigerante libertado e, de preferência, expulsá-lo externamente para a atmosfera.

7.8 VERIFICAÇÕES DO EQUIPAMENTO DE REFRIGERAÇÃO

Sempre que se trocar componentes elétricos, estes têm de ser adequados para o efeito, com as especificações corretas. As diretrizes de manutenção e assistência do fabricante têm de ser sempre cumpridas. Em caso de dúvida, consulte o departamento técnico do fabricante para obter assistência. As verificações que se seguem aplicam-se às instalações que utilizam refrigerantes inflamáveis:

- a dimensão da carga está de acordo com a dimensão da divisão dentro da qual estão instaladas as peças contendo refrigerante;
- as máquinas e saídas de ventilação estão a funcionar corretamente e não estão obstruídas;
- se estiver a ser utilizado um circuito de refrigeração indireto, os circuitos secundários serão verificados quanto à presença de refrigerante; a marcação do equipamento continua visível e legível.
- a marcação e os sinais que estiverem ilegíveis devem ser corrigidos;
- o tubo ou os componentes de refrigeração estão instalados numa posição onde há pouca probabilidade de serem expostos a qualquer substância que possa corroer componentes contendo refrigerante, salvo se os componentes forem construídos com materiais que são inerentemente resistentes à corrosão ou que possuem proteção adequada contra a corrosão.

7.9 VERIFICAÇÕES DOS DISPOSITIVOS ELÉTRICOS

A reparação e manutenção dos componentes elétricos devem incluir verificações de segurança iniciais e procedimentos de inspeção de componentes. Se existir uma avaria que possa comprometer a segurança, não pode ser ligada qualquer alimentação elétrica ao circuito até a avaria estar resolvida. Se não for possível resolver a avaria imediatamente, mas for necessário que o equipamento continue em funcionamento, deve recorrer-se a uma solução temporária adequada. Tal deve ser comunicado ao proprietário do equipamento, para que todas as partes estejam informadas.

Verificações de segurança iniciais:

- os condensadores devem ser descarregados: tal deve ser feito de forma segura para evitar a possibilidade de formação de faíscas;
- não pode haver componentes elétricos nem cablagem elétrica com corrente expostos durante as operações de carga, recuperação ou purga do sistema;
- verificar se há continuidade de massa.

7.10 REPARAÇÕES DE COMPONENTES SELADOS

- 10.1 Durante reparações em componentes selados, desligue todas as alimentações elétricas do equipamento que está a ser trabalhado, antes de retirar qualquer tampa selada, etc. Se durante o trabalho de assistência a alimentação elétrica para o equipamento for absolutamente necessária, colocar-se-á um equipamento de deteção de fugas continuamente ativo no ponto mais crítico para avisar de uma situação potencialmente perigosa.
- 10.2 Preste particular atenção à informação que se segue para que os trabalhos nos componentes elétricos não alterem a carcaça de modo a afetar o nível de proteção. Tal inclui danos em cabos, número excessivo de ligações, terminais que não foram feitos de acordo com as especificações originais, danos em vedantes, montagem incorreta de buçins, etc.
- Certifique-se de que o aparelho é montado corretamente, em segurança.
 - Certifique-se de que os vedantes ou os materiais de vedação não estão deteriorados ao ponto de já não conseguirem impedir a entrada de atmosferas inflamáveis. As peças de substituição devem estar de acordo com as especificações do fabricante.

NOTA: A utilização de vedante de silício pode inibir a eficácia de alguns tipos de equipamento de deteção de fugas. Os componentes intrinsecamente seguros não necessitam de ser isolados antes de se trabalhar neles.

7.11 REPARAÇÃO EM COMPONENTES INTRINSECAMENTE SEGUROS

Não aplique cargas permanentes indutivas ou de capacitância no circuito sem ter a garantia de que não irão exceder a tensão e a corrente permitidas para o equipamento em utilização. Os componentes intrinsecamente seguros são os únicos tipos que podem ser trabalhados com corrente na presença de uma atmosfera inflamável. O aparelho de teste tem de ter as especificações corretas. Substitua os componentes apenas por peças especificadas pelo fabricante. A utilização de outras peças pode resultar na ignição de refrigerante na atmosfera derivado de uma fuga.

7.12 CABLAGEM

Certifique-se de que a cablagem não ficará sujeita a desgaste, corrosão, pressão excessiva, vibração, extremidades aguçadas ou quaisquer outros efeitos ambientalmente adversos. A verificação deverá ter igualmente em consideração os efeitos de envelhecimento ou de vibração contínua de fontes, tais como compressores ou ventiladores.

7.13 DETEÇÃO DE REFRIGERANTES INFLAMÁVEIS

Em circunstância alguma se deverá utilizar potenciais fontes de ignição para procurar ou detetar fugas de refrigerante. Não se pode utilizar lâmpadas halóides (ou qualquer outro detetor que utilize uma chama aberta).

7.14 MÉTODOS DE DETEÇÃO DE FUGAS

Os métodos de deteção de fugas que se seguem são considerados aceitáveis para sistemas contendo refrigerantes inflamáveis.

Utilizar-se-ão detetores de fugas eletrónicos para detetar refrigerantes inflamáveis, mas a sensibilidade pode não ser adequada ou poderá ser necessário recalibrar (o equipamento de deteção tem de ser calibrado numa área sem refrigerante). Certifique-se de que o detetor não é uma potencial fonte de ignição e de que é adequado para o refrigerante. O equipamento de deteção de fugas será definido para uma percentagem do limite inferior de inflamabilidade do refrigerante e será calibrado para o refrigerante empregue e a percentagem de gás (25%, no máximo) adequada é confirmada. Os fluidos de deteção de fugas são adequados para utilizar com a maioria dos refrigerantes, mas deve evitar-se a utilização de detergentes contendo cloro, porque o cloro pode reagir com o refrigerante e corroer as tubagens de cobre. Se houver suspeita de fugas, todas as chamas abertas devem ser removidas ou extintas. Se para a fuga de refrigerante detetada for necessário brasagem, é necessário recuperar todo o refrigerante do sistema ou isolá-lo (por meio de válvulas de corte), numa parte do sistema afastada da fuga. O azoto isento de oxigénio será então purgado através do sistema, antes e durante o processo de brasagem.

7.15 REMOÇÃO E EVACUAÇÃO

Nas intervenções no circuito do refrigerante para fazer reparações ou para qualquer outra finalidade, devem utilizar-se os procedimentos convencionais. No entanto, é importante seguir as melhores práticas porque é preciso ter em conta a inflamabilidade. Siga o seguinte procedimento:

- retire o refrigerante;
- purgue o circuito com gás inerte;
- evacue;
- purgue novamente com gás inerte;
- abra o circuito por corte ou brasagem.

A carga de refrigerante será recuperada para dentro dos cilindros de recuperação corretos. O sistema será lavado com azoto isento de oxigénio para tornar a unidade segura. Poderá ser necessário repetir este processo várias vezes.

Não utilize ar comprimido nem oxigénio para esta tarefa.

A lavagem é feita quebrando o vácuo no sistema com azoto isento de oxigénio e continuando a encher até atingir a pressão de trabalho, depois ventilando para a atmosfera e, por último, reduzindo até criar um vácuo. Este processo é repetido até não haver refrigerante no sistema.

Quando a carga final de azoto isento de oxigénio é utilizada, o sistema é ventilado até à pressão atmosférica para se poder iniciar o trabalho. Esta operação é absolutamente vital se for necessário realizar operações de brasagem na tubagem. Certifique-se de que a saída da bomba de vácuo não está próxima de quaisquer fontes de ignição e de que há ventilação disponível.

7.16 PROCEDIMENTOS DE CARGA

Além dos procedimentos de carga convencionais, aplicam-se também os seguintes requisitos:

- Certifique-se de que não ocorra contaminação de refrigerantes diferentes quando utilizar equipamento de carga. As mangueiras ou as linhas devem ser o mais curtas possíveis para minimizar a quantidade de refrigerante contida nestas.
- Os cilindros devem ser mantidos na vertical.
- Certifique-se de que o sistema de refrigeração está ligado à terra antes de carregar o sistema com refrigerante.
- Coloque uma etiqueta no sistema quando concluir a carga (se ainda não tiver uma).
- É necessário ter muito cuidado para não encher o sistema de refrigeração em demasia.
- Antes de recarregar o sistema, é necessário testar a pressão com azoto isento de oxigênio. O sistema deve ser testado quanto a fugas quando acabar de carregar, mas antes da primeira colocação em funcionamento. Um teste de fuga de seguimento

7.17 DESATIVAÇÃO

Antes de executar este procedimento, é essencial que o técnico esteja completamente familiarizado com o equipamento e todos os seus pormenores. A recuperação dos refrigerantes em segurança faz parte das recomendações de boas práticas. Antes de executar a tarefa, é necessário tirar uma amostra de óleo e de refrigerante.

No caso de ser necessário efetuar uma análise antes de reutilizar o refrigerante recuperado. É essencial que esteja disponível energia elétrica antes de se iniciar a tarefa.

- a) Familiarize-se com o equipamento e respetivo funcionamento.
- b) Isole o sistema eletricamente
- c) Antes de iniciar o procedimento, certifique-se de que:
 - o equipamento de tratamento mecânico está disponível, se for necessário, para tratar os cilindros de refrigerante;
 - todo o equipamento de proteção individual está disponível e a ser utilizado corretamente;
 - o processo de recuperação é continuamente supervisionado por uma pessoa competente;
 - o equipamento e os cilindros de recuperação cumprem as normas relevantes.
- d) Se for possível, bombeie o sistema de refrigerante.
- e) Se não for possível um vácuo, faça um coletor para conseguir retirar o refrigerante das várias partes do sistema.
- f) Certifique-se de que o cilindro está na balança antes de iniciar a recuperação.
- g) Ligue a máquina de recuperação e opere de acordo com as instruções do fabricante.
- h) Não encha os cilindros em demasia. (Não mais de 80% de carga líquida de volume.)
- i) Não exceda a pressão máxima de funcionamento do cilindro, mesmo temporariamente.
- j) Quando os cilindros estiverem cheios corretamente e o processo estiver concluído, retire os cilindros imediatamente do local, juntamente com o equipamento, e certifique-se de que todas as válvulas de isolamento no equipamento estão fechadas.
- k) O refrigerante recuperado não será carregado para outro sistema de refrigeração sem ter sido limpo e verificado.

7.18 IDENTIFICAÇÃO COM ETIQUETAS

Deverão colocar-se etiquetas no equipamento a indicar que foi desativado e que o refrigerante foi drenado.

A etiqueta deve ter a data e estar assinada. Certifique-se de que há etiquetas no equipamento a indicar que este contém refrigerante inflamável.

7.19 RECUPERAÇÃO

- Quando retirar refrigerante de um sistema para uma assistência ou para desativação, todos os refrigerantes devem ser removidos em segurança, segundo as boas práticas recomendadas.
- Quando transferir refrigerante para cilindros, certifique-se de que são utilizados apenas cilindros de recuperação de refrigerante adequados. Certifique-se de que dispõe do número de cilindros necessários para a carga total do sistema. Todos os cilindros que vão ser utilizados são designados para o refrigerante recuperado e têm etiquetas que identificam esse refrigerante (ou seja, cilindros especiais para a recuperação de refrigerante). Os cilindros devem estar completos com a válvula de descarga de pressão e válvulas de corte associadas em bom estado de funcionamento.
- Os cilindros de recuperação vazios são evacuados e, se possível, arrefecidos, antes de a recuperação ter lugar.
- O equipamento de recuperação deverá estar em bom estado de funcionamento com as instruções do equipamento que tem à mão, e será adequado para a recuperação de refrigerantes inflamáveis. Além disso, deverá estar disponível um conjunto de balanças calibradas, em bom estado de funcionamento.
- As mangueiras devem estar completas com acoplamentos estanques e em bom estado de funcionamento. Antes de utilizar a máquina de recuperação, verifique se está em bom estado de funcionamento, se a manutenção foi feita corretamente e se os eventuais componentes elétricos associados estão selados para evitar a ignição, no caso de uma libertação de refrigerante. Em caso de dúvida, consulte o fabricante.
- O refrigerante recuperado será devolvido ao fornecedor de refrigerante no cilindro de recuperação correto e deverá providenciar-se a nota de transferência de resíduos adequada. Não misture refrigerantes em unidades de recuperação e, especialmente, não em cilindros.
- Se for necessário remover compressores ou óleos de compressores, assegure-se de que estes foram evacuados até um nível aceitável, para ter a certeza de que não ficou refrigerante inflamável dentro do lubrificante. O processo de evacuação será realizado antes de devolver o compressor aos fornecedores. Para acelerar este processo, apenas pode utilizar aquecimento elétrico no corpo do compressor. Uma eventual drenagem de óleo de um sistema deve ser feita em total segurança.

7.20 TRANSPORTE, MARCAÇÃO E ARMAZENAMENTO DAS UNIDADES

1. Transporte de equipamento contendo refrigerantes inflamáveis
Conformidade com os regulamentos de transporte
2. Marcação de equipamento utilizando sinais
Conformidade com os regulamentos locais
3. Eliminação de equipamento contendo refrigerantes inflamáveis
Conformidade com os regulamentos nacionais
4. Armazenamento de equipamento/aparelhos
O armazenamento do equipamento deve ser feito de acordo com as instruções do fabricante.
5. Armazenamento de equipamento (não vendido) embalado
A embalagem protetora para armazenamento deve ser construída de forma a que quaisquer danos mecânicos no equipamento, no interior da embalagem, não causem uma fuga da carga de refrigerante.
O número máximo de equipamentos que podem ser armazenados juntos será determinado pelos regulamentos locais.