

# CASSETTE TYPE AIR CONDITIONER INSTALLATION MANUAL



**GB**

INSTALLATION MANUAL  
ENGLISH

**ES**

MANUAL DE INSTALACIÓN  
ESPAÑOL

**FR**

MANUEL D'INSTALLATION  
FRANÇAIS

**IT**

MANUALE DI INSTALLAZIONE  
ITALIANO



**IMPORTANT NOTE:**

Read this manual carefully before installing or operating your new air conditioning unit.  
Make sure to save this manual for future reference.

Please check the applicable models, F-GAS and manufacturer information from the  
“Owner's Manual - Product Fiche” in the packaging of the outdoor unit.

(European Union products only)

**For German/Dutch/Poland/Denmark/Estonia/Lithuania/Latvia/Norway/Sweden/  
Portugees languages, please visit the website: [www.beijerref-carrier.com](http://www.beijerref-carrier.com)**

This product has been determined to be in compliance with the Low Voltage Directive (2014/35/EC), and the Electromagnetic Compatibility Directive (2014/30/EC) of the European Union.



## Correct Disposal of This Product (Waste Electrical & Electronic Equipment)

(When using this air conditioner in European countries, the following guidance must be followed)

- This marking shown on the product or its literature, indicates that waste electrical and electronic equipment (WEEE as in directive 2012/19/EU) should not be mixed with general household waste.

It is prohibited to dispose of this appliance in domestic household waste.

For disposal, there are several possibilities:

1. The municipality has established collection systems, where electronic waste can be disposed of at least free of charge to the user.
2. When buying a new product, the retailer will take back the old product at least free of charge.
3. The manufacture will take back the old appliance for disposal at least free of charge to the user.
4. As old products contain valuable resources, they can be sold to scrap metal dealers.

Wild disposal of waste in forests and landscapes endangers your health when hazardous substances leak into the ground-water and find their way into the food chain.

### This product contains fluorinated gases covered by the Kyoto Protocol

Chemical Name of Gas

R410A / R32

Global Warming Potential (GWP) of Gas

2088 / 675



1. Paste the enclosed refrigerant label adjacent to the charging and/or recovering location.
2. Clearly write the charged refrigerant quantity on the refrigerant label using indelible ink.
3. Prevent emission of the contained fluorinated gas. Ensure that the fluorinated gas is never vented to the atmosphere during installation, service or disposal. When any leakage of the contained fluorinated gas is detected, the leak shall be stopped and repaired as soon as possible.
4. Only qualified service personnel are allowed to access and service this product.
5. Any handling of the fluorinated gas in this product, such as when moving the product or recharging the gas, shall comply under (EC) Regulation No. 517/2014 on certain fluorinated greenhouse gases and any relevant local legislation.
6. Contact dealers, installers, etc., for any questions.

Indoor Unit	Outdoor Unit	Rated Voltage & Hz
42QTD024DS*	38QUS024DS*	220-240V~ 50Hz
42QTD024R8S*	38QUS024R8S*	
42QTD030DS*	38QUS030DS*	
42QTD030R8S*	38QUS030R8S*	
42QTD036R8S*	38QUS036DS*/38QUS036R8S*	IDU:220-240V~ 50Hz ODU:380-415V 3N~ 50Hz
42QTD042R8S*	38QUS042DS*/38QUS042R8S*	
42QTD048R8S*	38QUS048DS*	
42QTD036R8S*	38QUS036DT*/38QUS036R8T*	
42QTD048R8S*	38QUS048DT*/38QUS048R8T*	
42QTD060R8S*	38QUS060DT*/38QUS060R8T*	

The manufacturer reserves the right to change any product specifications without notice.

# CONTENTS

<b>1. PREPARING FOR INSTALLATION</b> .....	<b>3</b>
1.1 Safety Precautions .....	3
1.2 Accessories .....	5
<b>2. INDOOR UNIT INSTALLATION</b> .....	<b>6</b>
2.1 Installation Site Choosing .....	6
2.2 Install The Suspension Bolts .....	7
2.3 Handling The Indoor Unit .....	7
2.4 Install The Drain Pipe .....	8
2.5 Install The Panel .....	9
<b>3. OUTDOOR UNIT INSTALLATION</b> .....	<b>10</b>
3.1 Installation Site Choosing .....	10
3.2 Outdoor Unit Mounting Dimension .....	10
3.3 Space Requirement For Outdoor Unit .....	11
3.4 Install The Outdoor Unit .....	11
3.5 Install The Drain Pipe For Outdoor Unit .....	11
<b>4. REFRIGERANT PIPING WORK</b> .....	<b>12</b>
4.1 Flaring .....	12
4.2 Piping Work .....	12
4.3 Refrigerant Pipe .....	13
4.4 Air Evacuation .....	13
4.5 Leakage Test .....	13
<b>5. WIRING</b> .....	<b>14</b>
5.1 Power From Outdoor Side .....	14
5.2 Independence Power Supply .....	15
<b>6. FINAL CHECK AND TRIAL OPERATION</b> .....	<b>17</b>
6.1 Final Check List .....	17
6.2 Manual Operation .....	17
6.3 Trial Operation .....	17
<b>7. INFORMATION SERVICING</b> .....	<b>18</b>



Caution: Risk of fire  
for R32/R290 refrigerant only

# 1. PREPARING FOR INSTALLATION

## 1.1 SAFETY PRECAUTIONS

- Installing, starting up, and servicing air-conditioning equipment can be hazardous due to system pressures, electrical components, and equipment location (roofs, elevated structures, etc.).
- Only trained, qualified installers and service mechanics should install, start-up, and serve this equipment.
- When working on the equipment, observe precautions in the literature and on tags, stickers, and labels attached to the equipment.
- Follow all safety codes. Wear safety glasses and work gloves. Keep quenching cloth and fire extinguisher nearby when brazing. Use care in handling, rigging, and setting bulky equipment.
- Read these instructions thoroughly and follow all warnings or cautions included in literature and attached to the unit. Consult local building codes and National Electrical Code for special requirement.

### **WARNING**

This symbol indicates the possibility of personnel injury or loss of life.

- **Refrigerant gas is heavier than air and replaces oxygen. A massive leak could lead to oxygen depletion, especially in basements, and an asphyxiation hazard could occur leading to serious injury or death.**
- **When the air conditioner is installed in a small room, provide appropriate measures to ensure that the concentration of refrigerant leakage occur in the room does not exceed the critical level.**
- **If the refrigerant gas leaks during installation, ventilate the area immediately.**  
Refrigerant gas may produce a toxic gas if it comes in contact with fire such as from a fan heater, stove or cooking device.  
Exposure to this gas could cause severe injury or death.
- **Disconnect from power source before attempting any electrical work. Connect the connective cable correctly.**  
Wrongly connecting may result in electric parts damaged.
- **Use the specified cables for electrical connections and attach the wires firmly to the terminal block connecting sections so that the external force is not exerted to the terminal.**
- **Be sure to provide grounding.**  
Do not ground units to gas pipes, water pipes, lightning rods or telephone wires. Incomplete grounding could cause a severe shock hazard resulting in injury or death.
- **Safely dispose of the packing materials.**  
Packing materials, such as nails and other metal or wooden parts, may cause stabs or other injuries. Tear apart and throw away plastic packaging bags so that children will not play with them. Children playing with plastic bags face the danger of suffocation.
- **Do not install unit near concentrations of combustible gas or gas vapors.**
- **Be sure to use the supplied or exact specified installation parts.**  
Use of other parts may cause the unit to come to lose, water leakage, electrical shock, fire or equipment damage.
- **When installing or relocating the system, do not allow air or any substances other than the specified refrigerant (R410A/R32) to enter the refrigeration cycle.**
- **This appliance is not accessible to the general public and intended to be maintained by qualified service personnel and located at a level not less than 2.5m from floor.**
- **Electrical work should be carried out in accordance with the installation manual and the national, state and local electrical wiring codes.**
- **Be sure to use a dedicated power circuit. Never share the same power outlet with other appliance.**

# 1. PREPARING FOR INSTALLATION

## WARNING

- Never modify this unit by removing any of the safety guards or bypassing any of the safety interlock switches.
  - In order to avoid a hazard due to inadvertent resetting of the thermal cut-out, this appliance must not be supplied through an external switching device, such as a timer, or connected to a circuit that is regularly switched on and off by the utility.
  - Use the prescribed cables for electrical connection with insulation protected by insulation sleeving having an appropriate temperature rating.  
Unconformable cables can cause electric leak, anomalous heat production or fire.
- NOTE:** The following information are required for the units adopt R32/R290 Refrigerant.
- The appliance shall be stored in a room without continuously operating ignition sources. (for example: open flames, and operating gas appliance or an operating electric heater).
  - Do not pierce or burn.
  - Be aware that refrigerants may not contain an odour.
  - Compliance with national gas regulations shall be observed.  
Appliance shall be stored in a well-ventilated area where the room size corresponds to the room area as specified for operation.
  - Appliance shall be installed, operated and stored in a room with a floor area larger than X m<sup>2</sup>, installation of pipe-work shall be kept to a minimum X m<sup>2</sup>(Please see the following form ).  
Appliance shall not be installed in an unventilated space, if that space is smaller than X m<sup>2</sup> (Please see the following form ). Spaces where refrigerant pipes shall be compliance with national gas regulations.

Model(Btu/h)	Amount of refrigerant to be charged (kg)	maximum installation height (m)	Minimum room area (m <sup>2</sup> )
≤30000	≤2.048	1.8m	4
		0.6m	35
30000-48000	2.048-3.0	1.8m	8
		0.6m	80
>48000	>3.0	1.8m	9
		0.6m	80

### Note about Fluorinated Gases


- This air-conditioning unit contains fluorinated gases. For specific information on the type of gas and the amount, please refer to the relevant label on the unit itself.
- Installation, service, maintenance and repair of this unit must be performed by a certified technician.
- Product uninstallation and recycling must be performed by a certified technician.
- If the system has a leak-detection system installed, it must be checked for leaks at least every 12 months.
- When the unit is checked for leaks, proper record-keeping of all checks is strongly recommended.

## CAUTION

This symbol indicates the possibility of property damage or serious consequences.

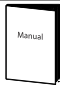




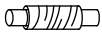

- To avoid personal injury, be careful when handling parts with sharp edges.
- Do not install the indoor or outdoor units in a location with special environmental conditions.
- Do not install in a place that can amplify the noise level of the unit or where noise and discharged air might disturb neighbors.

# 1. PREPARING FOR INSTALLATION




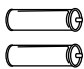
- Perform the drainage/piping work securely according to the installation manual.  **CAUTION**  
Improper drain piping may result in water leakage and property damage.
- Do not instal the air conditioner in the following places.
  - The place where there is mineral oil or arsenic acid.
  - The place where corrosive gas (such as sulfurous acid gas) or combustible gas (such as thinner) can accumulate or collect, or where volatile combustible substances are handled.
  - The place there is equipment that generates electromagnetic fields or high frequency harmonics

## 1.2 ACCESSORIES

The following accessories are supplied with the unit. The type and quantity may differ depending on the specifications.


Name of Accessories	Q'ty(pc)	Shape	Use
Manual	3		<Installation manual>, <User manual>, <Remote controller manual> (or <Wired controller manual>)
Pipe insulation material	1		Insulation
Drain outlet	1		Connect drainage hose for outdoor unit.
Gasket	1		Seal the drainage outlet for outdoor unit.
Clamp filter	2		For conforming to EMC standards (Used for Indoor power cord and indoor/outdoor connecting wires)
Flexible hose	1		Drainage
Pipe clamp	1		Fix the flexible hose to indoor unit.

The following accessories are related to remote controller.

Name of Accessories	Q'ty(pc)	Shape	Use
Remote Controller	1		To remote control the air conditioner
Remote controller holder	1		To hold the remote controller on the wall
Tapped screw	2		To fix the remote controller holder
Battery	2		For remote controller

Note: The accessories related to remote controller will be unavailable for the models with wired controller. For wired controller accessories, please refer to attached manual of wired controller.

Separate packed parts

Name of Accessories	Q'ty(pc)	Shape	Use
Panel	1		To remote control the air conditioner

## 2. INDOOR UNIT INSTALLATION

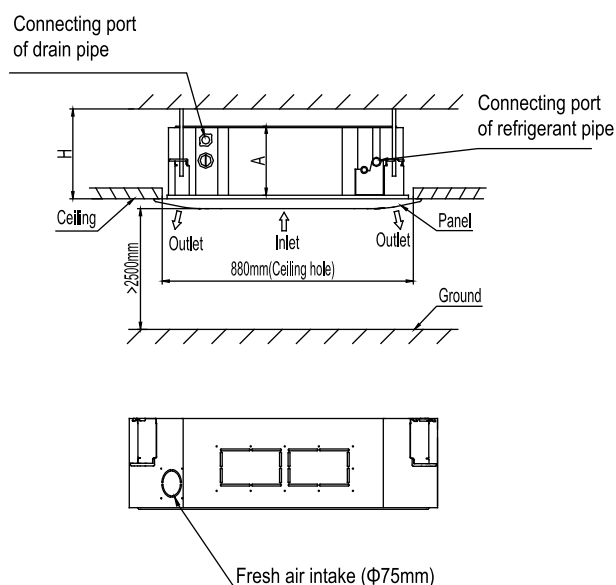
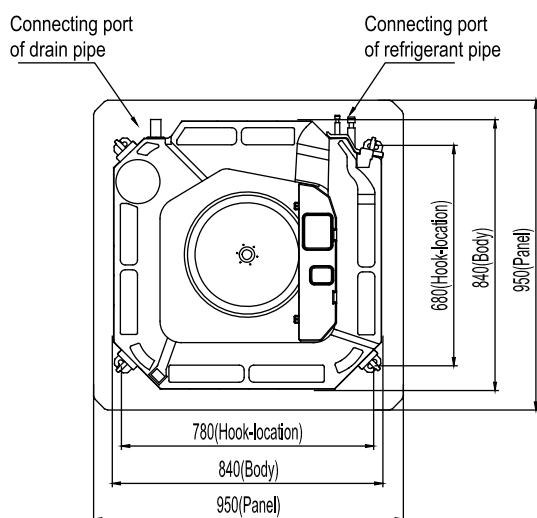
### 2.1 INSTALLATION SITE CHOOSING

#### INDOOR UNIT

- Where it is out of direct sunlight.
- Where the airflow is not blocked.
- Where an optimum air distribution is ensured.
- Where the condensate can drain correctly and safely.
- Install the indoor unit on a wall/ceiling that prevents vibration and is strong enough to hold the product weight.
- Maintain sufficient clearance around the indoor unit for maintenance and servicing.
- Where the air filter can be removed and cleaned easily.
- Where the piping between the indoor and outdoor units is within the allowable limits.
- Install the indoor unit 1m or more away from the TV or radio to prevent the screen from being distorted or noise from being generated.
- Install the indoor unit as far away as possible from fluorescent and incandescent lights so that the remote control can be operated well.

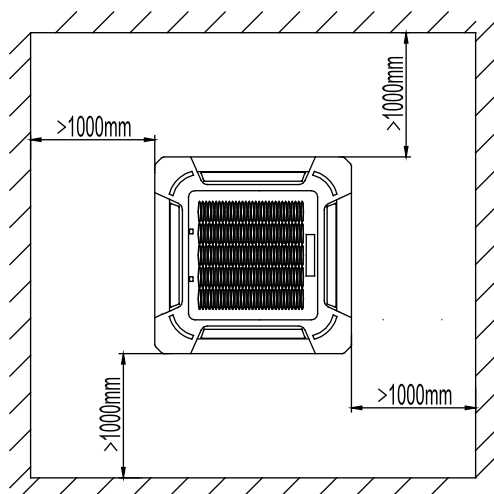
#### SPACE REQUIREMENT FOR INDOOR UNIT

##### The size of Outline dimension

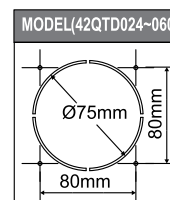


##### Clearance from the wall or other obstacles

Unit: mm



Model (42QTD)	Dimension	
	A	H
024	205	>235
030/036	245	>275
042~060	287	>317



## 2. INDOOR UNIT INSTALLATION

### ! CAUTION

- It is recommended to install the Y joint before installing the indoor unit
- When moving the unit during or after unpacking, make sure to lift by holding its hooks.
- Do not exert any pressure on other parts, especially the refrigerant piping and drain piping.

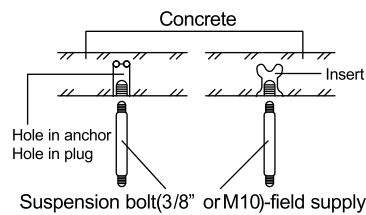
### 2.2 INSTALL THE SUSPENSION BOLTS

2.2.1 Mark the spots on the ceiling where you want to install the indoor unit.

2.2.2 Drill holes at the marking spots and then insert bolt anchors. Use existing ceiling supports or construct a suitable support.

#### NOTE

- Use a hole-in-anchor, sunken insert for existing ceilings.



2.2.3 Install the suspension bolts (use W3/8 or M10 suspension bolts, 4 pieces) depending on the ceiling type.

### ! CAUTION

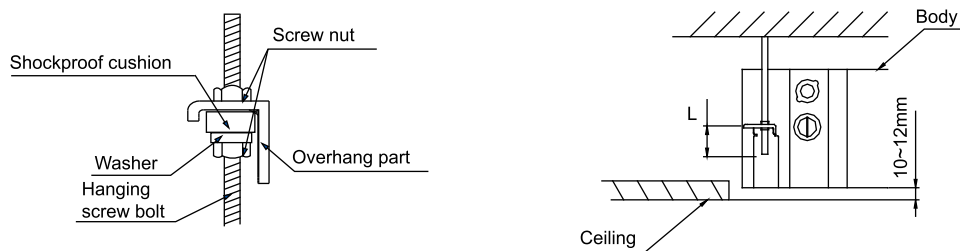
- Ensure that the ceiling is strong enough to bear the weight of the unit. Before hanging the unit, test the strength of each attached suspension bolt. It might be necessary to reinforce the ceiling frame to prevent shaking. Consult an architect or carpenter for details

### 2.3 HANGING THE INDOOR UNIT

2.3.1 Screw double nuts to each suspension bolts making space for hanging the indoor unit.



2.3.2 Hang the indoor unit to the suspension bolts between two nuts.



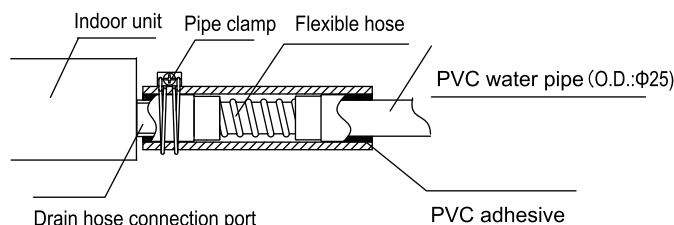
2.3.3 Screw the nuts to suspend the unit. Check the lower side of indoor unit locates at position (10 to 12mm) higher than the lower surface of the ceiling. L is about half of the screw length of the installation hook.



## 2. INDOOR UNIT INSTALLATION

### 2.4 INSTALL THE DRAIN PIPE

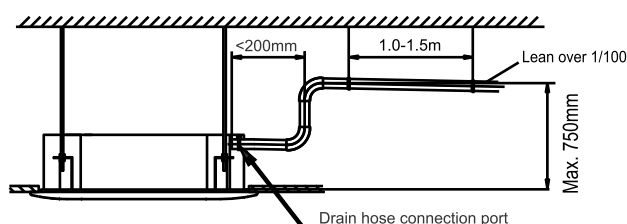
- Remove the cover of the drain hose connection port
- Insert the flexible hose to the drain hose port. Fix the flexible hose to the indoor unit with pipe clamp securely.
- Install the flexible hose to the PVC water pipe (field supply, O.D.: $\Phi 25$ ) securely with PVC adhesive. Wrap the drain hose with the insulation materials.



#### 2.4.1 Drainpipe connection

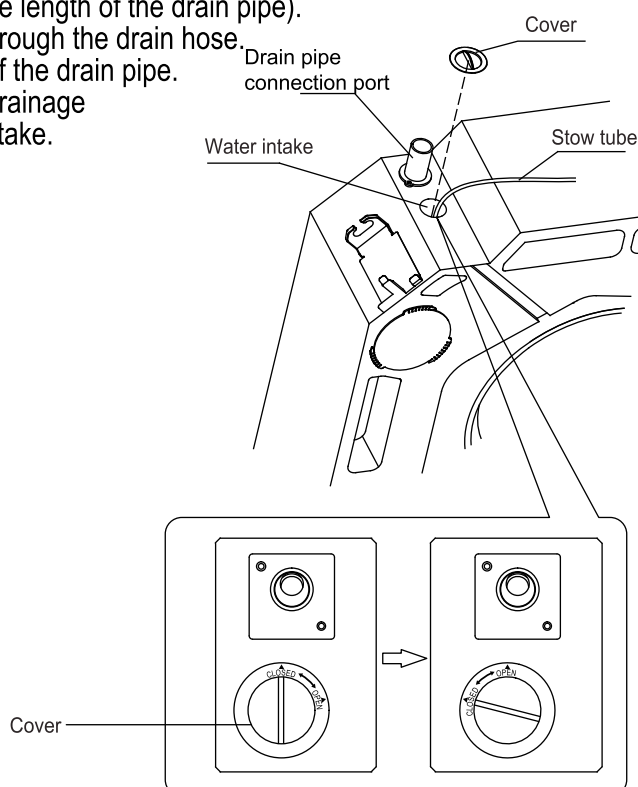
Cassette unit is equipped with the drain pump

- The drain pipe should be installed within 200mm from the flexible hose and then install horizontal drainpipe with a slope of 1/100 or more and fix it by hanger space of 1.0~1.5m.
- The flexible hose should not be installed upward position; it may cause water flow back to the indoor unit.



#### 2.4.2 Drainage test

- Open the cover of water supply intake by turning and pulling the cover.
- Gradually insert about 2 liters of water into the indoor unit with stow tube.
- Operate the unit under COOLING mode and check a drain pump pumping (a time lag of 1 minute is allowed before water flowing out depending on the length of the drain pipe).
- Check and confirm the water flows out through the drain hose.
- Check the drain water drops at the end of the drain pipe.
- Make sure there is no water leak at the drainage
- Reassemble the cover of water supply intake.



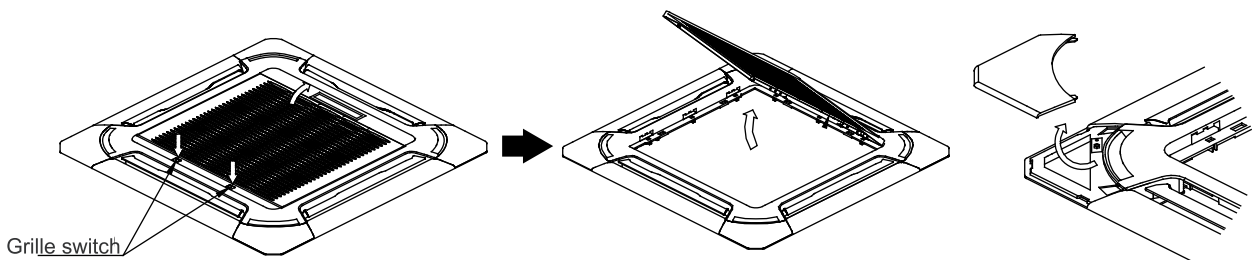
## 2. INDOOR UNIT INSTALLATION

### 2.5 INSTALL THE PANEL

#### ! CAUTION

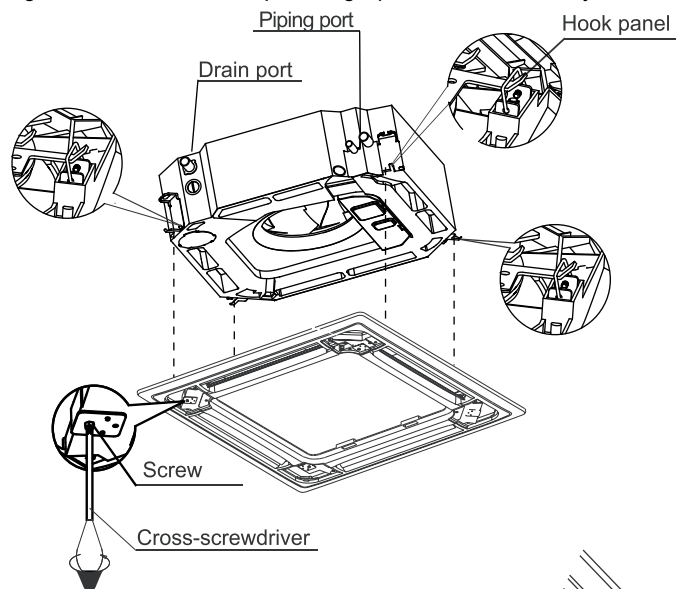
- Before installation of the panel, be sure to remove the cushion for transportation between the fan and orifice.
- Install the panel according to below instructure after piping and wiring work has completed.
- Joint the connecting sections of panel, ceiling surface and indoor unit closely. Any gap between them will cause air leakage and this generate condensation or water leakage.

2.5.1 Push the two grille switches simultaneously, then lift the grille up and remove the air inlet grille. Take out the installation covers from 4 corners.



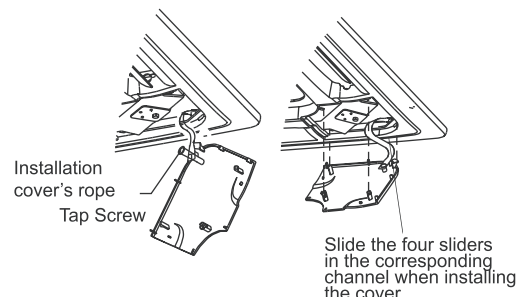
#### 2.5.2 Install the panel

- Align corner marked with the piping side and drain side with piping interface and drainage interface of the main body.
- Hang the panel to the hooks on the main body.
- Tighten the screw evenly under the panel hook until the thickness of sponge between the main body and panel is reduced to about 4~6mm, and the edge of panel should contact the ceiling well.
- Connect the wire of swing motor to the corresponding splice on main body.



#### 2.5.3 Install the air inlet grille

- Hang the hook behind the air inlet grille on to the panel.
- Connect the wire of display to the corresponding plug on main body.
- Close the air inlet grille.
- Press the installation cover gently into the panel.

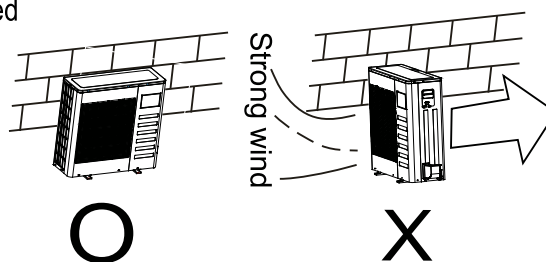


## 3. OUTDOOR UNIT INSTALLATION

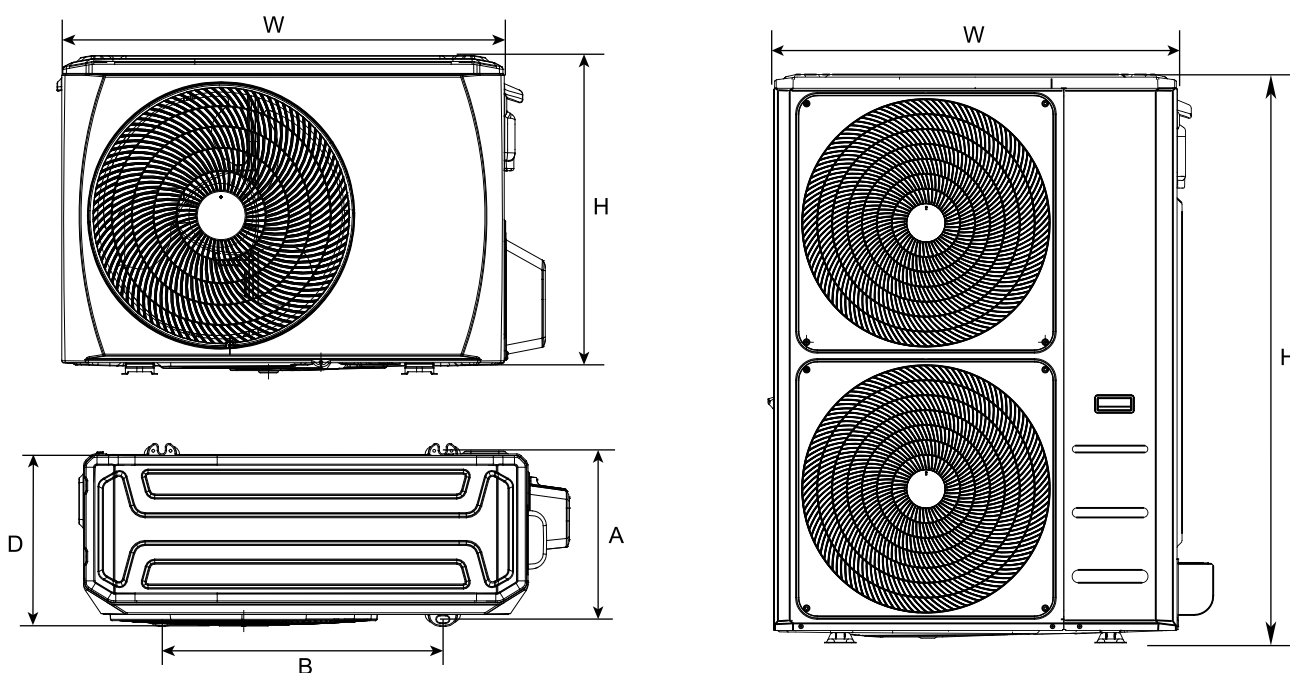
### 3.1 INSTALLATION SITE CHOOSING

#### OUTDOOR UNIT

- Where it is out of rain or direct sunlight.
- Where it is well-ventilated and free from obstacles near the air inlet and air outlet.
- Where does not increase the operating noise or vibration of the outdoor unit.
- Where does not cause any drainage problem with discharged water.
- Install the outdoor unit properly at a place that is durable enough to the weight of the outdoor unit.
- Where provides appropriate clearances as outlined
- Where the piping between the indoor and outdoor units is within the allowable limits.
- In regions with snowfall and cold temperatures, avoid installing the outdoor unit in areas where it can be covered by snow. If heavy snow is expected, a field supplied ice or stand and field supplied-installed wind baffle should be installed to protect the unit from snow accumulation and blocked air intake.
- When installing the outdoor unit in a place that is constantly exposed to a strong wind, it is recommended that a wind baffle be used.



### 3.2 OUTDOOR UNIT MOUNTING DIMENSION

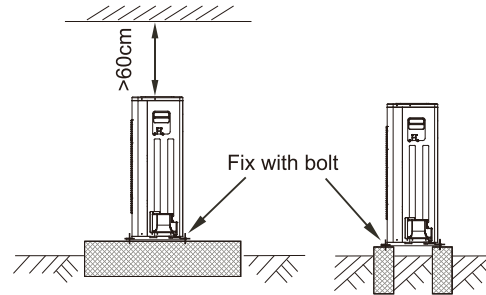
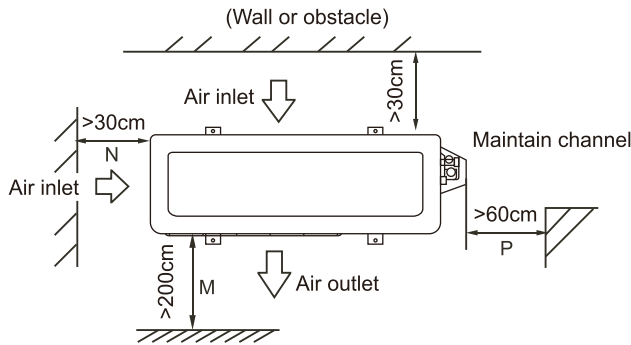


Model (38QUS)	Outline dimension				
	W	H	D	A	B
024	845	702	363	350	540
030~042	945	810	420	403	673
048/060	952	1333	415	404	634

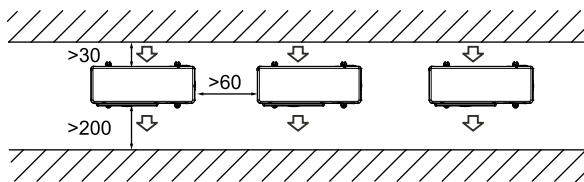
# 3. OUTDOOR UNIT INSTALLATION

## 3.3 SPACE REQUIREMENT FOR OUTDOOR UNIT

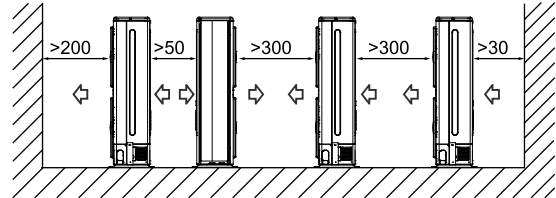
### Single Unit Installation



### Parallel connect the two units or above unit:cm

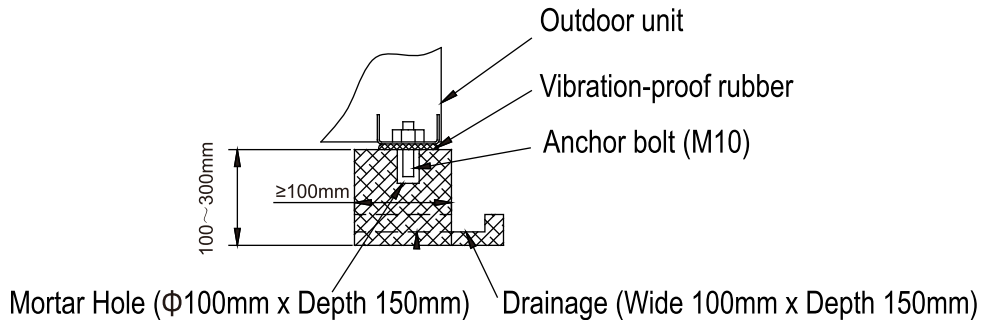


### Parallel connect the front with rear sides. unit:cm



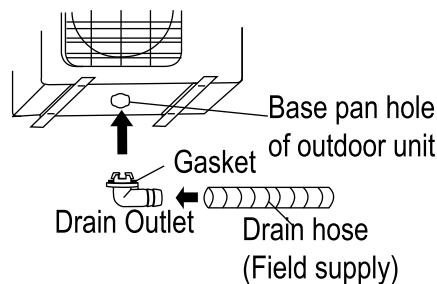
## 3.4 INSTALL THE OUTDOOR UNIT

- Before installation, check strength and horizontality of the base so that abnormal sound does not generate.
- Fix the base firmly with anchor bolts (M10) to prevent it from collapsing.
- Install the foundation and vibration-proof rubbers to directly support the bottom surface of the fixing leg that is in contact with the bottom plate of the outdoor unit.



## 3.5 INSTALL THE DRAIN PIPE FOR OUTDOOR UNIT

- Connect the drain outlet with an extension drain hose
- Fit the gasket onto drain outlet.
- Insert the drain outlet into the base pan hole of outdoor unit, and rotate 90 degree to securely assemble them.



## 4. REFRIGERANT PIPING WORK

### CAUTION

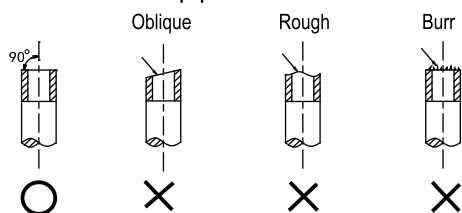
- Check if the height difference between indoor unit & outdoor unit and the total length of refrigerant pipe meet system requirement.
- Refrigerant piping work follows the indoor unit and outdoor unit installation, connect the pipe at the indoor side first, then the outdoor side.
- Always keep ends of tubing sealed by placing a cap or covering with tape during installation and do NOT remove them until you are ready to connect the piping.
- Be sure to insulate any field piping all the way to the piping connection inside the unit. Any exposed piping may cause condensation or burns if touched.

### 4.1 FLARING

#### NOTE

- Tools required for flaring are pipe cutter, reamer, flaring tool and pipe holder.
- For R32 refrigerant models, the pipe connection points must be placed outside of room.

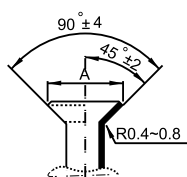
4.1.1 Using a pipe cutter to cut the pipe to the requested length. Ensure that the cut edge remains at 90° with the side of the pipe.



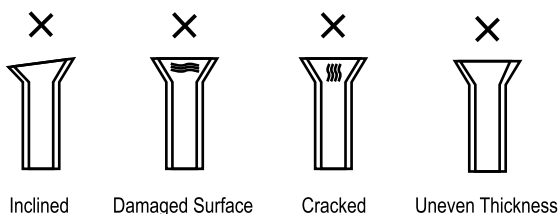
4.1.2 Use a reamer to remove burrs with the cut surface downward so that the chips do not enter the pipe.

4.1.3 Carry out flaring work using flaring tools as below.

Outside diameter	A(mm)	
	Max	Min
Φ6.35mm	8.7	8.3
Φ9.52mm	12.4	12.0
Φ12.7mm	15.8	15.4
Φ15.88mm	19.0	18.6
Φ19.05mm	23.3	22.9

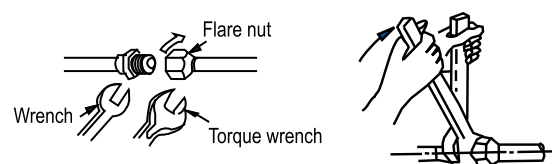


4.1.4 Check if the flaring is properly made. See incorrectly flared pipes sample below.



### 4.2 PIPING WORK

4.2.1 Align the center to tighten the flare nut and finish connection using two wrenches.



Tubing size	Torque
Φ6.35mm	18 ~ 20 N.m
Φ9.52mm	25 ~ 26 N.m
Φ12.7mm	35 ~ 36 N.m
Φ15.88mm	45 ~ 47 N.m
Φ19.05mm	65 ~ 67 N.m

4.2.2 Select the appropriate insulation material for refrigerant pipe. (Min. 10mm, thermal insulating foam C)

- Use separate thermal insulation pipes for gas & liquid pipes.
- The thickness above is a standard of the indoor temperature of 27°C and humidity of 80%. If installing in an unfavorable conditions such as near bathrooms, kitchens, and other similar locations, reinforce the insulation.
- Insulation's heat-resistance temperature should be more than 120°C.
- Use the adhesives on the connection part of insulation to prevent moisture from entering.
- Repair and cover any possible cracks in the insulation specially check the bent part or hanger of

### CAUTION

In case of needing brazing, work with Nitrogen gas blowing. Improper torque will cause flare damage or gas leaks.

# 4. REFRIGERANT PIPING WORK

## 4.3 REFRIGERANT PIPE

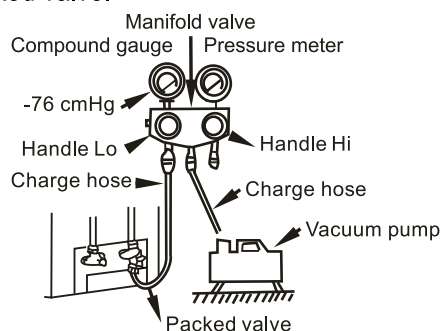
Model (38QUS)	Liquid Side	Gas Side	Allowable pipe length (m)	Max. Height difference (m)	Charge less length (m)	Additional charge per meter (R410A/R32)
024/030	Φ9.52mm	Φ15.88mm	50	25	5	30/24 g/m
036~060	Φ9.52mm	Φ15.88mm	65	30	5	30/24 g/m

NOTE: 1) Please use tools for R410A/R32 system respectively;

2) When the pipe length is over 5m, the additional refrigerant should be added according to the piping length.

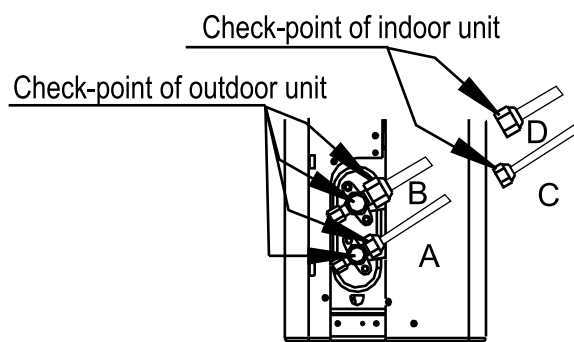
## 4.4 AIR EVACUATION

- Connect the charge hose from the manifold gauge to the service port of the gas side packed valve.
- Connect the charge hose to the port of the vacuum pump.
- Fully open the handle Lo of manifold gauge.
- Operate the vacuum pump to evacuate air from the system until 76cmHg.
- Close the handle Lo of manifold gauge.
- Fully open the valve stem of the packed valves.
- Remove the charging hose from the service port.
- Securely tighten caps of packed valve.



## 4.5 LEAKAGE TEST

After the piping work is finished, make sure to check the connection part of each refrigerant pipe and confirm that there is no gas leak by applying soapy water to them or by using a leak detector specific for HFC refrigerants. Refer below picture for illustration.



A: Low pressure stop valve

B: High pressure stop valve

C& D: Indoor unit flare nuts

## 5. WIRING

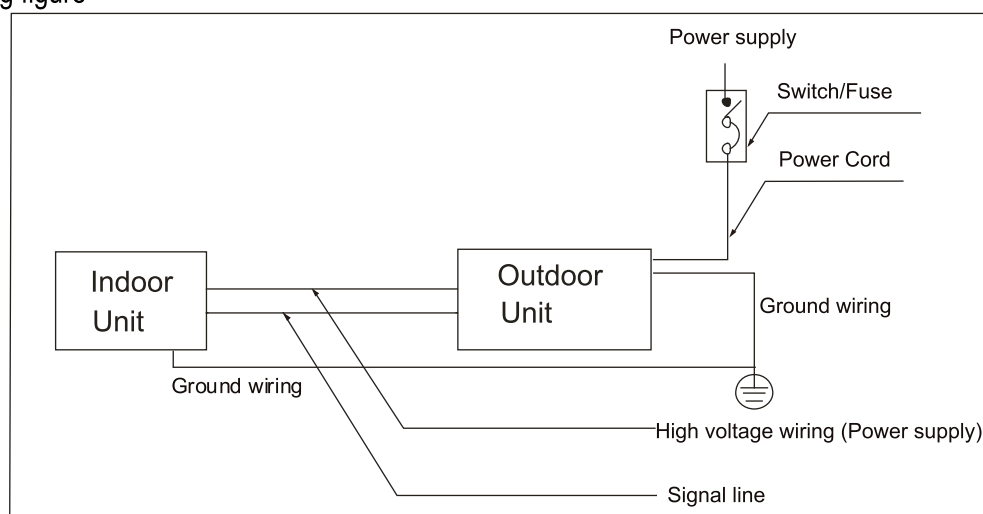
### ⚠ CAUTION

- All the electrical connections must be carried out by qualified installers and all the wirings must be connected according to the wiring diagram.
- Make ground connection prior to any other electrical connections.
- All power sources must be turned off before wiring work and do not turn on the power until you have made sure all the wirings have been safety checked.
- A main switch and circuit breaker or fuse must be installed, the capacity should be above 1.5 times of maximum current in circuit.
- An individual branch circuit and single socket used only for this appliance must be available.
- Wire cross section is depending on the rated current and national, state and local electrical wiring code. Consult local building codes and National electrical code for special requirement.
- If the supply cord is damaged, it must be replaced by the manufacturer, its service agent or similarly qualified persons in order to avoid a hazard.
- The unit must be connected to the main power supply by means of a circuit breaker or a switch with a contact separation of at least 3mm in all poles. Installation of a residual current device (RCD) having a rated residual operating current not exceeding 30mA is advisable.

There are two kinds of wire connection. Check the wiring diagram carefully before connect the wire.

### 5.1 POWER FROM OUTDOOR SIDE

- Wiring figure



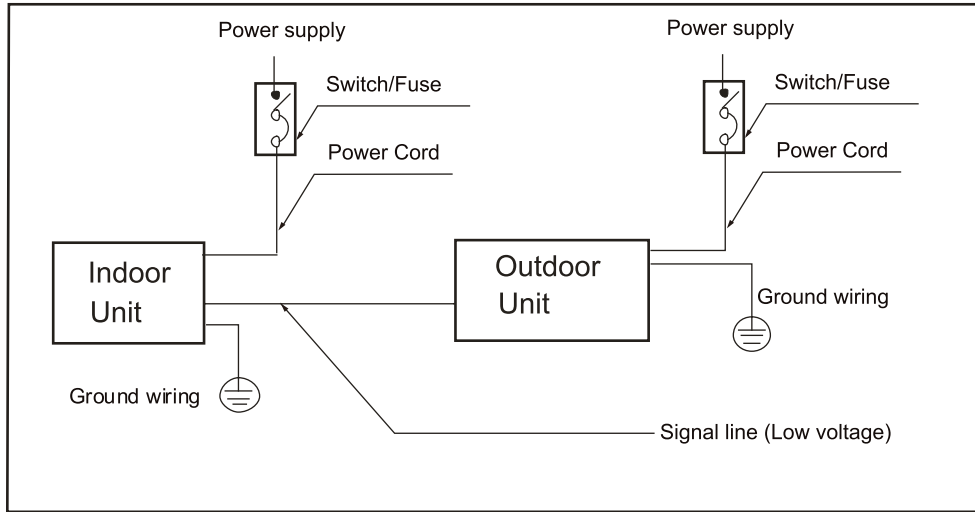
- Power supply and connecting wires specification

Model(Btu/h)		24k(R410A)
Power Supply	Phase	1-Phase
	Frequency and volt	220-240V~ 50Hz
Rated Current		16.0A
Fuse Rating(Field Supply)		25A
Power Cord(Field Supply)		H07RN-F; 3×2.5mm <sup>2</sup>
Indoor/outdoor connecting wiring (Field Supply)		H07RN-F; 4×2.5mm <sup>2</sup>

# 5. WIRING

## 5.2 INDEPENDENCE POWER SUPPLY

### ■ Wiring figure



### ■ Power supply and connecting wires specification

Model(Btu/h)		24k(R32)	30k	36k/42k	48k
Indoor	Phase	1-Phase			
	Frequency and volt	220-240V~ 50Hz			
	Rated Current	2.0A	2.0A	2.0A	2.0A
	Fuse Rating(Field Supply)	10A	10A	10A	10A
	Power Cord(Field Supply)	H05VV-F; 3×1.0mm <sup>2</sup>	H05VV-F; 3×1.0mm <sup>2</sup>	H05VV-F; 3×1.0mm <sup>2</sup>	H05VV-F; 3×1.0mm <sup>2</sup>
Outdoor	Phase	1-Phase	1-Phase	1-Phase	1-Phase
	Frequency and volt	220-240V~ 50Hz	220-240V~ 50Hz	220-240V~ 50Hz	220-240V~ 50Hz
	Rated Current	13.5A	19.0A	23.0A	26.5A
	Circuit Breaker(Field Supply)	25A	50A	50A	70A
	Power Cord(Field Supply)	H07RN-F; 3×2.5mm <sup>2</sup>	H07RN-F; 3×2.5mm <sup>2</sup>	H07RN-F; 3×4.0mm <sup>2</sup>	H07RN-F; 3×4.0mm <sup>2</sup>
Indoor/outdoor connecting wiring (Field Supply)		Shielded wire; 2×0.2mm <sup>2</sup>	Shielded wire; 2×0.2mm <sup>2</sup>	Shielded wire; 2×0.2mm <sup>2</sup>	Shielded wire; 2×0.2mm <sup>2</sup>



## 5. WIRING

### ■ Power supply and connecting wires specification

Model(Btu/h)		36k(3N)	48k(3N)	60k(3N)
Indoor	Phase	1-Phase	1-Phase	1-Phase
	Frequency and volt	220-240V~ 50Hz		
	Rated Current	1.0A	1.0A	1.0A
	Fuse Rating(Field Supply)	10A	10A	10A
	Power Cord(Field Supply)	H05VV-F; 3×1.0mm <sup>2</sup>	H05VV-F; 3×1.0mm <sup>2</sup>	H05VV-F; 3×1.0mm <sup>2</sup>
Outdoor	Phase	3-Phase	3-Phase	3-Phase
	Frequency and volt	380-415V 3N~ 50Hz		
	Rated Current	10.0A	13.0A	14.0A
	Circuit Breaker(Field Supply)	25A	32A	32A
	Power Cord(Field Supply)	H07RN-F; 5×2.5mm <sup>2</sup>	H07RN-F; 5×2.5mm <sup>2</sup>	H07RN-F; 5×2.5mm <sup>2</sup>
Indoor/outdoor connecting wiring (Field Supply)		Shielded wire; 2×0.2mm <sup>2</sup>	Shielded wire; 2×0.2mm <sup>2</sup>	Shielded wire; 2×0.2mm <sup>2</sup>

### CAUTION

- Separate the low voltage wiring (signal wire) and high voltage wiring (power supply wiring) at least 0.5m so that they do not pass through the same place together. Proximity may cause electrical interference, malfunctions, and breakage.

#### NOTE OF FUSE SPECIFICATIONS:

(applicable to units adopt R32 refrigerant only, and the fuse is made of ceramic.)

1. The specification of outdoor unit fuse is T20A/250VAC (for <24000Btu/h unit), T30A/250VAC (for >24000Btu/h unit)
2. The specification of indoor unit fuse is T5A/250VAC, T10A/250VAC.

# 6. FINAL CHECK AND TRIAL OPERATION

---

## 6.1 FINAL CHECK LIST

To complete the installation, perform the following checks before the trial operation.

- Strength of the installation site for both indoor and outdoor sides, confirm no obstruction of the unit air outlet or return.
- Tightness of Refrigerant piping connection and confirm no leakage
- Electric wiring connections are correctly completed and unit has been grounding connected
- Check the total length of the piping and record the volume of the additional charged refrigerant
- The power supply should complying with the rated voltage of the air conditioner
- Insulation of the pipe
- Drainage
- Remove the cushion for transportation between fan and control box. And re-assemble the side panel and grille.

## 6.2 MANUAL OPERATION

Manual operation can be accessed by pressing manual button on display panel.

Press the manual button repeatedly to change modes as follows:

- Once = AUTO mode [heat, cool or fan, 24°C and auto fan speed.
- Twice = COOLING mode [switch to AUTO mode after 30 minutes (mainly used for trial operation)]
- Three times = OFF

## 6.3 TRIAL OPERATION

Set the air conditioning under the COOLING mode with the remote controller (or manual button) and check the running status of both indoor unit and outdoor unit. In case of any malfunction, resolve it according to chapter "Trouble shooting" in the "Service Manual".

Indoor unit

- Whether the buttons (such as ON/OFF, MODE, TEMPERATURE, FAN SPEED etc.) on the remote controller work well.
- Whether the louver moves normally.
- Whether the room temperature is adjusted well.
- Whether the indicator lights on the display panel are normal.
- Whether the "manual" button works well.
- Whether the drainage is normal.
- Whether there is a vibration or abnormal noise during the operation.
- Whether the indoor unit works well in COOLING or HEATING mode.

Outdoor unit

- Whether there is a vibration or abnormal noise during the operation.
- Whether the wind, noise or condensed generated by the air conditioner have disturb your neighborhood.
- Whether there is any refrigerant leakage.

### CAUTION

- When restart the unit, there will be approximately 3 minutes delay to run for protection.

## 7. INFORMATION SERVICING

### 7.1 CHECKS TO THE AREA

Prior to beginning work on systems containing flammable refrigerants, safety checks are necessary to ensure that the risk of ignition is minimised. For repair to the refrigerating system, the following precautions shall be complied with prior to conducting work on the system.

### 7.2 WORK PROCEDURE

Works shall be undertaken under a controlled procedure so as to minimise the risk of a flammable gas or vapour being present while the work is being performed.

### 7.3 GENERAL WORK AREA

All maintenance staff and others working in the local area shall be instructed on the nature of work being carried out. Work in confined spaces shall be avoided. The area around the work space shall be sectioned off. Ensure that the conditions within the area have been made safe by control of flammable material.

### 7.4 CHECKING FOR PRESENCE OF REFRIGERANT

The area shall be checked with an appropriate refrigerant detector prior to and during work, to ensure the technician is aware of potentially flammable atmospheres. Ensure that the leak detection equipment being used is suitable for use with flammable refrigerants, i.e. no sparking, adequately sealed or intrinsically safe.

### 7.5 PRESENCE OF FIRE EXTINGUISHER

If any hot work is to be conducted on the refrigeration equipment or any associated parts, appropriate fire extinguishing equipment shall be available to hand. Have a dry power or CO<sub>2</sub> fire extinguisher adjacent to the charging area.

### 7.6 NO IGNITION SOURCES

No person carrying out work in relation to a refrigeration system which involves exposing any pipe work that contains or has contained flammable refrigerant shall use any sources of ignition in such a manner that it may lead to the risk of fire or explosion. All possible ignition sources, including cigarette smoking, should be kept sufficiently far away from the site of installation, repairing, removing and disposal, during which flammable refrigerant can possibly be released to the surrounding space. Prior to work taking place, the area around the equipment is to be surveyed to make sure that there are no flammable hazards or ignition risks. "NO SMOKING" signs shall be displayed.

### 7.7 VENTILATED AREA

Ensure that the area is in the open or that it is adequately ventilated before breaking into the system or conducting any hot work. A degree of ventilation shall continue during the period that the work is carried out. The ventilation should safely disperse any released refrigerant and preferably expel it externally into the atmosphere.

### 7.8 CHECKS TO THE REFRIGERATION EQUIPMENT

Where electrical components are being changed, they shall be fit for the purpose and to the correct specification. At all times the manufacturer's maintenance and service guidelines shall be followed. If in doubt consult the manufacturer's technical department for assistance. The following checks shall be applied to installations using flammable refrigerants:

## 7. INFORMATION SERVICING

- the charge size is in accordance with the room size within which the refrigerant containing parts are installed;
- the ventilation machinery and outlets are operating adequately and are not obstructed;
- if an indirect refrigerating circuit is being used, the secondary circuits shall be checked for the presence of refrigerant; marking to the equipment continues to be visible and legible.
- marking and signs that are illegible shall be corrected;
- refrigeration pipe or components are installed in a position where they are unlikely to be exposed to any substance which may corrode refrigerant containing components, unless the components are constructed of materials which are inherently resistant to being corroded or are suitably protected against being so corroded.

### 7.9 CHECKS TO ELECTRICAL DEVICES

Repair and maintenance to electrical components shall include initial safety checks and component inspection procedures. If a fault exists that could compromise safety, then no electrical supply shall be connected to the circuit until it is satisfactorily dealt with. If the fault cannot be corrected immediately but it is necessary to continue operation, and adequate temporary solution shall be used. This shall be reported to the owner of the equipment so all parties are advised.

#### **Initial safety checks shall include:**

- that capacitors are discharged: this shall be done in a safe manner to avoid possibility of sparking
- that there no live electrical components and wiring are exposed while charging, recovering or purging the system;
- that there is continuity of earth bonding.

### 7.10 REPAIRS TO SEALED COMPONENTS

10.1 During repairs to sealed components, all electrical supplies shall be disconnected from the equipment being worked upon prior to any removal of sealed covers, etc. If it is absolutely necessary to have an electrical supply to equipment during servicing, then a permanently operating form of leak detection shall be located at the most critical point to warn of a potentially hazardous situation.

10.2 Particular attention shall be paid to the following to ensure that by working on electrical components, the casing is not altered in such a way that the level of protection is affected. This shall include damage to cables, excessive number of connections, terminals not made to original specification, damage to seals, incorrect fitting of glands, etc.

- Ensure that apparatus is mounted securely.
- Ensure that seals or sealing materials have not degraded such that they no longer serve the purpose of preventing the ingress of flammable atmospheres. Replacement parts shall be in accordance with the manufacturer s specifications.

NOTE: The use of silicon sealant may inhibit the effectiveness of some types of leak detection equipment. Intrinsically safe components do not have to be isolated prior to working on them.

### 7.11 REPAI TO INTRINSICALLY SAFE COMPONENTS

Do not apply any permanent inductive or capacitance loads to the circuit without ensuring that this will not exceed the permissible voltage and current permitted for the equipment in use. Intrinsically safe components are the only types that can be worked on while live in the presence of a flammable atmosphere. The test apparatus shall be at the correct rating. Replace components only with parts specified by the manufacturer. Other parts may result in the ignition of refrigerant in the atmosphere from a leak.

## 7. INFORMATION SERVICING

### 7.12 CABLING

Check that cabling will not be subject to wear, corrosion, excessive pressure, vibration, sharp edges or any other adverse environmental effects. The check shall also take into account the effects of aging or continual vibration from sources such as compressors or fans.

### 7.13 DETECTION OF FLAMMABLE REFRIGERANTS

Under no circumstances shall potential sources of ignition be used in the searching for or detection of refrigerant leaks. A halide torch (or any other detector using a naked flame) shall not be used.

### 7.14 LEAK DETECTION METHODS

The following leak detection methods are deemed acceptable for systems containing flammable refrigerants. Electronic leak detectors shall be used to detect flammable refrigerants, but the sensitivity may not be adequate, or may need re-calibration. (Detection equipment shall be calibrated in a refrigerant-free area.) Ensure that the detector is not a potential source of ignition and is suitable for the refrigerant. Leak detection equipment shall be set at a percentage of the LFL of the refrigerant and shall be calibrated to the refrigerant employed and the appropriate percentage of gas (25% maximum) is confirmed. Leak detection fluids are suitable for use with most refrigerants but the use of detergents containing chlorine shall be avoided as the chlorine may react with the refrigerant and corrode the copper pipe-work. If a leak is suspected, all naked flames shall be removed or extinguished. If a leakage of refrigerant is found which requires brazing, all of the refrigerant shall be recovered from the system, or isolated (by means of shut off valves) in a part of the system remote from the leak. Oxygen free nitrogen (OFN) shall then be purged through the system both before and during the brazing process.

### 7.15 REMOVAL AND EVACUATION

When breaking into the refrigerant circuit to make repairs or for any other purpose conventional procedures shall be used. However, it is important that best practice is followed since flammability is a consideration. The following procedure shall be adhered to:

- remove refrigerant;
- purge the circuit with inert gas;
- evacuate;
- purge again with inert gas;  
    open the circuit by cutting or brazing.

The refrigerant charge shall be recovered into the correct recovery cylinders. The system shall be flushed with OFN to render the unit safe. This process may need to be repeated several times.

Compressed air or oxygen shall not be used for this task.

Flushing shall be achieved by breaking the vacuum in the system with OFN and continuing to fill until the working pressure is achieved, then venting to atmosphere, and finally pulling down to a vacuum. This process shall be repeated until no refrigerant is within the system.

When the final OFN charge is used, the system shall be vented down to atmospheric pressure to enable work to take place. This operation is absolutely vital if brazing operations on the pipe-work are to take place. Ensure that the outlet for the vacuum pump is not closed to any ignition sources and there is ventilation available.

# 7. INFORMATION SERVICING

## 7.16 CHARGING PROCEDURES

In addition to conventional charging procedures, the following requirements shall be followed:

- Ensure that contamination of different refrigerants does not occur when using charging equipment. Hoses or lines shall be as short as possible to minimize the amount of refrigerant contained in them.
- Cylinders shall be kept upright.
- Ensure that the refrigeration system is earthed prior to charging the system with refrigerant.
- Label the system when charging is complete (if not already).
- Extreme care shall be taken not to overfill the refrigeration system.
- Prior to recharging the system it shall be pressure tested with OFN. The system shall be leak tested on completion of charging but prior to commissioning. A follow up leak test

## 7.17 DECOMMISSIONING

Before carrying out this procedure, it is essential that the technician is completely familiar with the equipment and all its detail. It is recommended good practice that all refrigerants are recovered safely. Prior to the task being carried out, an oil and refrigerant sample shall be taken.

In case analysis is required prior to re-use of reclaimed refrigerant. It is essential that electrical power is available before the task is commenced.

- a) Become familiar with the equipment and its operation.
- b) Isolate system electrically
- c) Before attempting the procedure ensure that:
  - mechanical handling equipment is available, if required, for handling refrigerant cylinders;
  - all personal protective equipment is available and being used correctly;
  - the recovery process is supervised at all times by a competent person;
  - recovery equipment and cylinders conform to the appropriate standards.
- d) Pump down refrigerant system, if possible.
- e) If a vacuum is not possible, make a manifold so that refrigerant can be removed from various parts of the system.
- f) Make sure that cylinder is situated on the scales before recovery takes place.
- g) Start the recovery machine and operate in accordance with manufacturer's instructions.
- h) Do not overfill cylinders. (No more than 80% volume liquid charge).
- i) Do not exceed the maximum working pressure of the cylinder, even temporarily.
- j) When the cylinders have been filled correctly and the process completed, make sure that the cylinders and the equipment are removed from site promptly and all isolation valves on the equipment are closed off.
- k) Recovered refrigerant shall not be charged into another refrigeration system unless it has been cleaned and checked.

## 7.18 LABELLING

Equipment shall be labelled stating that it has been de-commissioned and emptied of refrigerant. The label shall be dated and signed. Ensure that there are labels on the equipment stating the equipment contains flammable refrigerant.

## 7. INFORMATION SERVICING

### 7.19 RECOVERY

- When removing refrigerant from a system, either for service or decommissioning, it is recommended good practice that all refrigerants are removed safely.
- When transferring refrigerant into cylinders, ensure that only appropriate refrigerant recovery cylinders are employed. Ensure that the correct numbers of cylinders for holding the total system charge are available. All cylinders to be used are designated for the recovered refrigerant and labelled for that refrigerant (i.e special cylinders for the recovery of refrigerant). Cylinders shall be complete with pressure relief valve and associated shut-off valves in good working order.
- Empty recovery cylinders are evacuated and, if possible, cooled before recovery occurs.
- The recovery equipment shall be in good working order with a set of instructions concerning the equipment that is at hand and shall be suitable for the recovery of flammable refrigerants. In addition, a set of calibrated weighing scales shall be available and in good working order.
- Hoses shall be complete with leak-free disconnect couplings and in good condition. Before using the recovery machine, check that it is in satisfactory working order, has been properly maintained and that any associated electrical components are sealed to prevent ignition in the event of a refrigerant release. Consult manufacturer if in doubt.
- The recovered refrigerant shall be returned to the refrigerant supplier in the correct recovery cylinder, and the relevant Waste Transfer Note arranged. Do not mix refrigerants in recovery units and especially not in cylinders.
- If compressors or compressor oils are to be removed, ensure that they have been evacuated to an acceptable level to make certain that flammable refrigerant does not remain within the lubricant. The evacuation process shall be carried out prior to retruning the compressor to the suppliers. Only electric heating to the compressor body shall be employed to accelerate this process. When oil is drained from a system, it shall be carried out safely.

### 7.20 TRANSPORTATION, MARKING AND STORAGE FOR UNITS

1. Transport of equipment containing flammable refrigerants  
Compliance with the transport regulations
2. Marking of equipment using signs  
Compliance with local regulations
3. Disposal of equipment using flammable refrigerants  
Compliance with national regulations
4. Storage of equipment/appliances  
The storage of equipment should be in accordance with the manufacturer's instructions.
5. Storage of packed (unsold) equipment  
Storage package protection should be constructed such that mechanical damage to the equipment inside the package will not cause a leak of the refrigerant charge.  
The maximum number of pieces of equipment permitted to be stored together will be determined by local regulations.



## Eliminación correcta de este producto (desecho de equipos eléctricos y electrónicos)

(Cuando se usa este aparato de aire acondicionado en los países europeos, hay que seguir estas normas)

- Esta marca que se muestra en el producto o en su documentación indica que los residuos de aparatos eléctricos (WEEE en la directiva 2012/19/UE) no deben mezclarse con los residuos domésticos normales. Está prohibido desechar este aparato con los residuos domésticos.

Para su eliminación hay varias posibilidades:

1. El municipio ha establecido sistemas de recogida en los que se pueden desechar los residuos electrónicos de forma gratuita para el usuario.
2. En la compra de un nuevo producto, el minorista recogerá el producto usado de forma gratuita como mínimo.
3. El fabricante recogerá el aparato para su eliminación de forma gratuita para el usuario como mínimo.
4. Dado que los productos usados contienen recursos valiosos, se pueden vender a comerciantes de chatarra de metal.

Tirar de forma incontrolada residuos en bosques y en el campo pone en peligro la salud de las personas cuando las sustancias peligrosas se filtran a las aguas subterráneas y de esta forma llegan a la cadena alimentaria.

### Este producto contiene gases fluorados regulados por el Protocolo de Kyoto

Nombre químico del gas	R410A / R32
Potencial de calentamiento global (GWP) del gas	2088 / 675

#### ⚠ PRECAUCIÓN

1. Pegue la etiqueta del refrigerante incluido junto al lugar de la carga y/o recuperación.
2. Escriba claramente la cantidad de refrigerante cargado en la etiqueta del refrigerante con tinta indeleble.
3. Evite la emisión al medio ambiente del gas fluorado contenido. Asegúrese de que el gas fluorado nunca se ventila a la atmósfera durante la instalación, mantenimiento o eliminación de la unidad. Cuando se detecte alguna fuga del gas fluorado contenido, hay que detener la fuga y repararla lo antes posible.
4. El mantenimiento y reparación de este producto solo puede realizarlo personal de mantenimiento cualificado.
5. Cualquier manipulación de los gases fluorados de este producto, por ejemplo, al trasladar el producto o al recargar el gas, deberá cumplir el Reglamento CE N° 517/2014 sobre determinados gases fluorados de efecto invernadero y las leyes locales.
6. Si tiene alguna pregunta póngase en contacto con los distribuidores, instaladores, etc.

Unidad interior	Unidad exterior	Tensión nominal y Hz
42QTD024DS*	38QUS024DS*	220-240V~ 50Hz
42QTD024R8S*	38QUS024R8S*	
42QTD030DS*	38QUS030DS*	
42QTD030R8S*	38QUS030R8S*	
42QTD036R8S*	38QUS036DS*/38QUS036R8S*	
42QTD042R8S*	38QUS042DS*/38QUS042R8S*	
42QTD048R8S*	38QUS048DS*	IDU:220-240V~ 50Hz ODU:380-415V 3N~ 50Hz
42QTD036R8S*	38QUS036DT*/38QUS036R8T*	
42QTD048R8S*	38QUS048DT*/38QUS048R8T*	
42QTD060R8S*	38QUS060DT*/38QUS060R8T*	

El fabricante se reserva el derecho de cambiar las especificaciones del producto sin previo aviso.



# CONTENIDO

---

<b>1. PREPARACIÓN DE LA INSTALACIÓN</b> .....	<b>3</b>
1.1 Precauciones de seguridad.....	3
1.2 Accesorios .....	5
<b>2. INSTALACIÓN DE LA UNIDAD INTERIOR</b> .....	<b>6</b>
2.1 Elección del lugar de instalación.....	6
2.2 Instalación de los tornillos de suspensión.....	7
2.3 Colgar la unidad interior.....	7
2.4 Instalación de la tubería de desagüe.....	8
2.5 Instalación del panel .....	9
<b>3. INSTALACIÓN DE LA UNIDAD EXTERIOR</b> .....	<b>10</b>
3.1 Elección del lugar de instalación.....	10
3.2 Dimensión de montaje de la unidad exterior .....	10
3.3 Requisito de espacio para la unidad exterior .....	11
3.4 Instalación de la unidad exterior .....	11
3.5 Instalación de la tubería de desagüe para la unidad exterior .....	11
<b>4. TUBERÍAS DE REFRIGERACIÓN</b> .....	<b>12</b>
4.1 Abocardado .....	12
4.2 Tuberías .....	12
4.3 Tubería refrigerante .....	13
4.4 Evacuación de aire .....	13
4.5 Prueba de fugas .....	13
<b>5. CABLEADO</b> .....	<b>14</b>
5.1 Alimentación desde el exterior .....	14
5.2 Fuente de alimentación independiente.....	15
<b>6. COMPROBACIÓN FINAL Y PRUEBA DE FUNCIONAMIENTO</b> .....	<b>17</b>
6.1 Lista de comprobación final.....	17
6.2 Funcionamiento manual .....	17
6.3 Prueba de funcionamiento .....	17
<b>7. INFORMACIÓN DE SEGURIDAD</b> .....	<b>18</b>



Precaución: **Riesgo de incendio**  
solo para el refrigerante R32/R290

# 1. PREPARACIÓN DE LA INSTALACIÓN

## 1.1 PRECAUCIONES DE SEGURIDAD

- La instalación, puesta en marcha y mantenimiento de equipos de aire acondicionado puede ser peligrosa debido a las presiones del sistema, componentes eléctricos y ubicación de los equipos (techos, estructuras elevadas, etc.).
- La instalación, puesta en marcha y mantenimiento de este equipo solo debe ser realizada por instaladores y mecánicos de mantenimiento cualificados y con la debida formación. Cuando trabaje en el equipo, tenga presentes las precauciones indicadas en los manuales y en las etiquetas y pegatinas adheridas al mismo.
- Siga todos los códigos de seguridad. Use gafas de seguridad y guantes de trabajo. Tenga a mano tela de extinción de incendios y un extintor cuando realice soldaduras. Tenga cuidado en el manejo, manipulación y colocación de equipos voluminosos.
- Lea estas instrucciones cuidadosamente y siga todas las advertencias o precauciones incluidas en el manual y pegadas a la unidad. Consulte las normas de construcción locales y el Código Eléctrico Nacional para saber si hay requisitos especiales.

### ADVERTENCIA

Este símbolo indica la posibilidad de daños personales o incluso la muerte.

- **El gas refrigerante es más pesado que el aire y reemplaza al oxígeno. Una fuga masiva podría conducir a la falta de oxígeno, especialmente en los sótanos, y podría suponer un peligro de asfixia con lesiones graves o la muerte.**
- **Cuando el aire acondicionado se instala en un espacio pequeño, realice las mediciones necesarias para asegurarse de que la fuga de refrigerante producida en el lugar no supere el nivel crítico.**
- **Si hay fugas de gas refrigerante durante la instalación, ventile el área inmediatamente.**  
El gas refrigerante puede producir un gas tóxico si entra en contacto con el fuego, por ejemplo un calefactor, estufa o cocina.  
La exposición a este gas podría causar lesiones graves o la muerte.
- **Desconecte de la fuente de alimentación antes de realizar cualquier trabajo eléctrico. Conecte el cable de conexión correctamente.**  
Una conexión errónea puede dañar los componentes eléctricos.
- **Utilice los cables especificados para las conexiones eléctricas y conecte los cables firmemente en el bloque de terminales, conectando las secciones de modo que no se ejerza fuerza externa en el terminal.**
- **Asegúrese de proporcionar toma a tierra.**  
No conecte las unidades a conductos de gas, tuberías de agua o cables telefónicos. Una toma de tierra incompleta podría causar una descarga eléctrica grave con resultado de lesiones o la muerte.
- **Deseche los materiales de embalaje con seguridad.**  
Los materiales de embalaje, como clavos y otras piezas de metal o de madera, pueden producir heridas y otras lesiones. Desgarre y tire las bolsas de embalaje de plástico para que los niños no jueguen con ellas. Los niños que juegan con bolsas de plástico corren riesgo de asfixia.
- **No instale la unidad cerca de concentraciones de gases combustibles o vapores de gas.**
- **Asegúrese de utilizar las piezas de instalación suministradas o especificadas exactamente.**  
El uso de otras piezas puede provocar que la unidad tenga pérdidas, fugas de agua, descargas eléctricas, incendios o daños al equipo.
- **Al instalar o cambiar de lugar el sistema, no permita que el aire o cualquier sustancia que no sea el refrigerante especificado (R410A/R32) entre en el ciclo de refrigeración.**
- **Este aparato no es accesible para el público general y está pensado para su instalación por personal de servicio cualificado que se sitúe a un nivel no inferior a 2,5 m del suelo.**
- **El trabajo eléctrico debe llevarse a cabo de acuerdo con el manual de instalación y los códigos de cableado eléctricos nacionales.**
- **Asegúrese de utilizar un circuito de alimentación dedicado. No comparta nunca la misma toma de corriente con otros aparatos.**

# 1. PREPARACIÓN DE LA INSTALACIÓN

## ADVERTENCIA

- No modifique nunca esta unidad mediante la eliminación de cualquiera de las protecciones de seguridad ni se salte ninguno de los interruptores de seguridad.
- Con el fin de evitar situaciones de peligro debido al reseteo accidental de la protección térmica, la alimentación eléctrica de este aparato no debe realizarse a través de un dispositivo de conmutación externo, como por ejemplo un temporizador, ni debe ir conectado a un circuito que la compañía eléctrica enciende y apaga regularmente.
- Utilice los cables con aislamiento previstos para la conexión eléctrica que lleven un revestimiento aislante con la homologación de temperatura adecuada.  
Los cables no compatibles pueden causar descargas eléctricas, producción de calor anómala o incendios.

**NOTA :** La información siguiente es necesaria para las unidades que utilicen el refrigerante R32/R290.

- El aparato deberá almacenarse en una habitación sin fuentes de ignición de funcionamiento continuo. (Por ejemplo: llamas y aparato de gas o un calefactor eléctrico en funcionamiento).
- No se debe perforar ni quemar.
- Tenga en cuenta que los refrigerantes pueden ser inodoros.
- Se deben seguir las regulaciones nacionales de gas.  
Se advierte que el aparato debe almacenarse en un área bien ventilada donde el tamaño de la habitación corresponda al área de la habitación según lo especificado para el uso.
- El aparato deberá instalarse, utilizarse y almacenarse en una habitación con una superficie mayor que X m<sup>2</sup>; la instalación de tuberías se limitará a un área mínima de X m<sup>2</sup> (consulte el siguiente formulario).

El aparato no deberá instalarse en un espacio sin ventilación, si ese espacio tiene un área inferior a x m<sup>2</sup> (consulte el siguiente formulario). Los espacios donde haya tubos de refrigerante deberán cumplir los reglamentos nacionales de gas.

Modelo (Btu/h)	Cantidad de refrigerante que debe cargarse (kg)	Altura máxima de instalación (m)	Superficie mínima de la habitación (m <sup>2</sup> )
≤30 000	≤2,048	1,8 m	4
		0,6 m	35
30 000-48 000	2,048-3,0	1,8 m	8
		0,6 m	80
>48 000	>3,0	1,8 m	9
		0,6 m	80

### Nota sobre gases fluorados

- Esta unidad de aire acondicionado contiene gases fluorados. Para obtener información específica sobre el tipo de gas y la cantidad, consulte la etiqueta correspondiente en la propia unidad.
- La instalación, el servicio, el mantenimiento y la reparación de esta unidad deben ser realizados por un técnico certificado.
- La desinstalación y el reciclaje del producto deben ser realizados por un técnico certificado.
- Si el sistema tiene instalado un sistema de detección de fugas, debe comprobarse la existencia de fugas al menos cada 12 meses.
- Cuando se compruebe la existencia de fugas en la unidad, se recomienda encarecidamente realizar un registro adecuado de todas las comprobaciones.

## PRECAUCIÓN

Este símbolo indica la posibilidad de daños a la propiedad o consecuencias graves.

- Para evitar lesiones personales, tenga cuidado al manejar piezas con bordes afilados.
- No instale las unidades interior o exterior en un lugar con condiciones ambientales especiales.
- No debe instalarse en un lugar que pueda amplificar el nivel de ruido de la unidad o donde el ruido y aire descargado pueda molestar a los vecinos.

# 1. PREPARACIÓN DE LA INSTALACIÓN

- Realice el trabajo de desagüe/tuberías de forma segura siguiendo el manual de instalación.



Unas tuberías de desagüe incorrectas podrían producir fugas de agua y daños a la propiedad.

- No instale el aire acondicionado en los siguientes lugares.
  - Un lugar en el que haya aceite mineral o ácido arsénico.
  - Un lugar en el que se pueda acumular gas corrosivo (por ejemplo, gas de ácido sulfúrico) o gas combustible (por ejemplo, disolvente), o donde se utilicen sustancias volátiles.
  - Un lugar en el que haya equipos que generen campos electromagnéticos o armonía de frecuencia alta.

## 1.2 ACCESORIOS

Con la unidad se proporcionan los siguientes accesorios. El tipo y la cantidad pueden variar en función de las especificaciones.

Nombre de los accesorios	Ctd (piezas)	Forma	Uso
Manual	3		<Manual de instalación>, <Manual de usuario>, <Manual del mando a distancia> (o <Manual del mando con cable>)
Material de aislamiento de la tubería	1		Aislamiento
Salida de desagüe	1		Conecte la manguera de desagüe de la unidad exterior.
Junta	1		Selle la salida de desagüe de la unidad exterior.
Filtro de abrazadera	2		Para cumplir con las normas EMC (que se utilizan para cables de alimentación interiores y cables de conexión interiores/exteriores)
Manguera flexible	1		Desagüe
Abrazadera de la tubería	1		Fije la manguera flexible a la unidad interior.

Los siguientes accesorios están relacionados con el mando a distancia.

Nombre de los accesorios	Ctd (piezas)	Forma	Uso
Mando a distancia	1		Para controlar a distancia el aire acondicionado
Soporte del mando a distancia	1		Para colgar el mando a distancia en la pared
Tornillo roscado	2		Para fijar el soporte del mando a distancia
Pila	2		Para el mando a distancia

Nota: Los accesorios relacionados con el mando a distancia no están disponibles para los modelos con mando con cable. Para ver los accesorios del mando con cable, consulte el manual adjunto del mando con cable.

Piezas embaladas por separado

Nombre de los accesorios	Ctd (piezas)	Forma	Uso
Panel	1		Para controlar a distancia el aire acondicionado

## 2. INSTALACIÓN DE LA UNIDAD INTERIOR

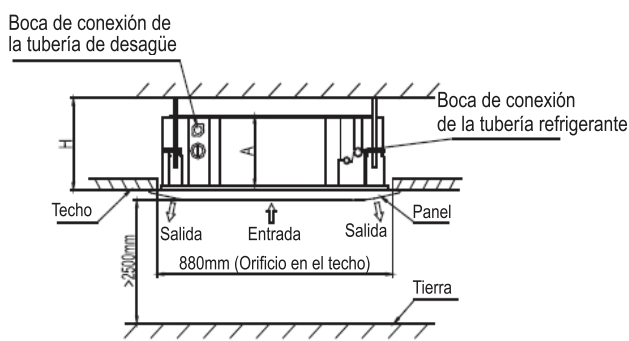
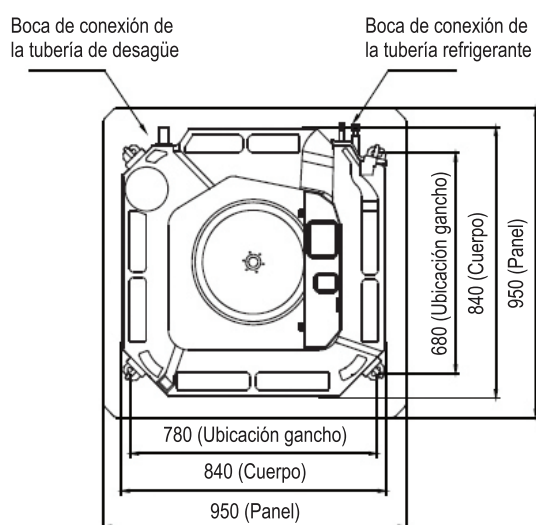
### 2.1 ELECCIÓN DEL LUGAR DE INSTALACIÓN

#### UNIDAD INTERIOR

- Donde esté fuera de la luz solar directa.
- Donde el caudal de aire no esté bloqueado.
- Donde se garantice una óptima distribución de aire.
- Donde la condensación pueda drenar de manera correcta y segura.
- Instale la unidad interior en una pared o un techo que impida la vibración y sea lo suficientemente fuerte para sujetar el peso del producto.
- Mantenga el espacio suficiente alrededor de la unidad interior como para poder realizar un mantenimiento y reparación adecuados.
- Donde el filtro de aire se pueda extraer y limpiar fácilmente.
- Donde las tuberías entre las unidades interior y exterior queden dentro de los límites permitidos.
- Instale la unidad interior a 1 m o más de la televisión o la radio para evitar que la pantalla se distorsione o se genere ruido.
- Instale la unidad interior tan lejos como sea posible de luces fluorescentes o incandescentes para que el mando a distancia pueda funcionar bien.

#### ESPACIO NECESARIO PARA LA UNIDAD INTERIOR

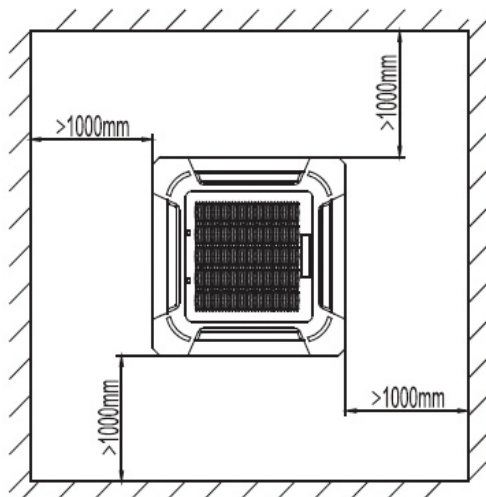
##### El tamaño de la dimensión del esquema



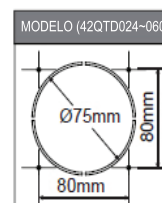
Entrada de aire fresco (Ø75mm)

##### Distancia a la pared u otros obstáculos

Unidad: mm



Model (42QTD)	Dimensión	
	A	H
024	205	>235
030/036	245	>275
042~060	287	>317



## 2. INSTALACIÓN DE LA UNIDAD INTERIOR

### ! PRECAUCIÓN

- Es recomendable instalar la junta en forma de Y antes de instalar la unidad interior
- Al mover la unidad durante o después del desembalaje, asegúrese de levantarla sosteniéndola por sus ganchos.
- No ejerza presión sobre otros componentes, especialmente sobre la tubería refrigerante o la tubería de desagüe.

### 2.2 INSTALACIÓN DE LOS TORNILLOS DE SUSPENSIÓN

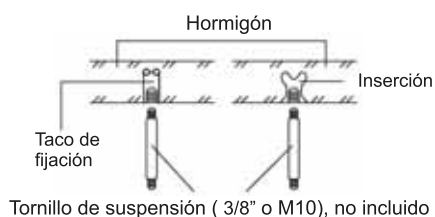
2.2.1 Marque los sitios del techo en los que desea instalar la unidad interior.

2.2.2 Taladre agujeros en las marcas y, a continuación, introduzca los anclajes de los tornillos.

Utilice soportes del techo ya existentes o construya un soporte adecuado.

#### NOTA

- Utilice tornillos de cabeza fresada para los techos.



2.2.3 Instale los tornillos de suspensión (utilice tornillos de suspensión W3/8 o M10, 4 piezas) en función del tipo de techo.

### ! PRECAUCIÓN

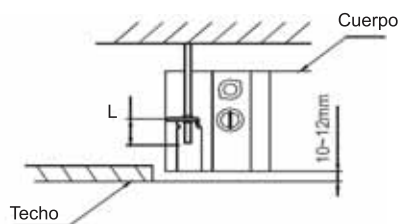
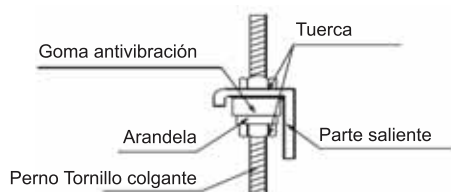
- Asegúrese de que el techo sea lo suficientemente fuerte para soportar el peso de la unidad. Antes de colgar la unidad, pruebe la fuerza de cada tornillo de suspensión colocado. Puede que sea necesario reforzar el marco de techo para evitar que se mueva. Consulte con un arquitecto o un carpintero para obtener información detallada

### 2.3 COLGAR LA UNIDAD INTERIOR

2.3.1 Haga girar tuercas dobles a cada tornillo de suspensión creando espacio para colgar la unidad interior.



2.3.2 Cuelgue la unidad interior a los tornillos de suspensión entre las dos tuercas.

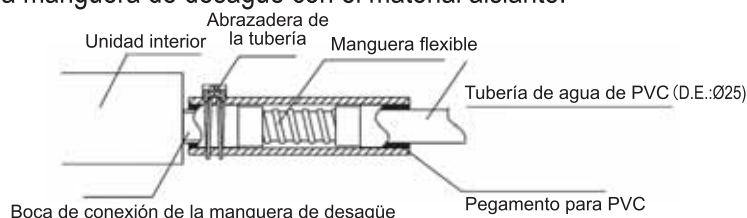


2.3.3 Atornille las tuercas para suspender la unidad. Compruebe que la parte inferior de la unidad interior se encuentra en una posición (10 a 12mm) superior a la superficie inferior del techo. L es aproximadamente la mitad de la longitud de tornillo del gancho de instalación.

## 2. INSTALACIÓN DE LA UNIDAD INTERIOR

### 2.4 INSTALACIÓN DE LA TUBERÍA DE DESAGÜE

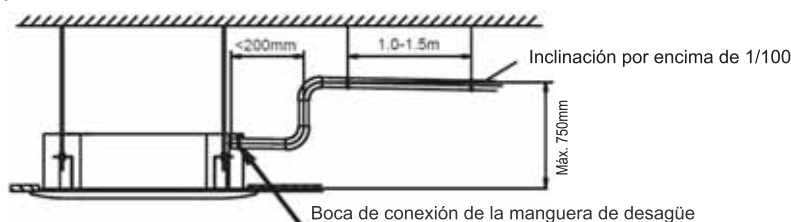
- Extraiga la cubierta de la boca de conexión de la manguera de desagüe.
- Inserte la manguera flexible en la boca de la manguera de desagüe. Fije la manguera flexible a la unidad interior con una abrazadera de tubería de manera firme.
- Instale la manguera flexible a la tubería de agua de PVC (no incluida, D.E.:Ø25) con el pegamento para PVC. Envuelva la manguera de desagüe con el material aislante.



#### 2.4.1 Conector de la tubería de desagüe

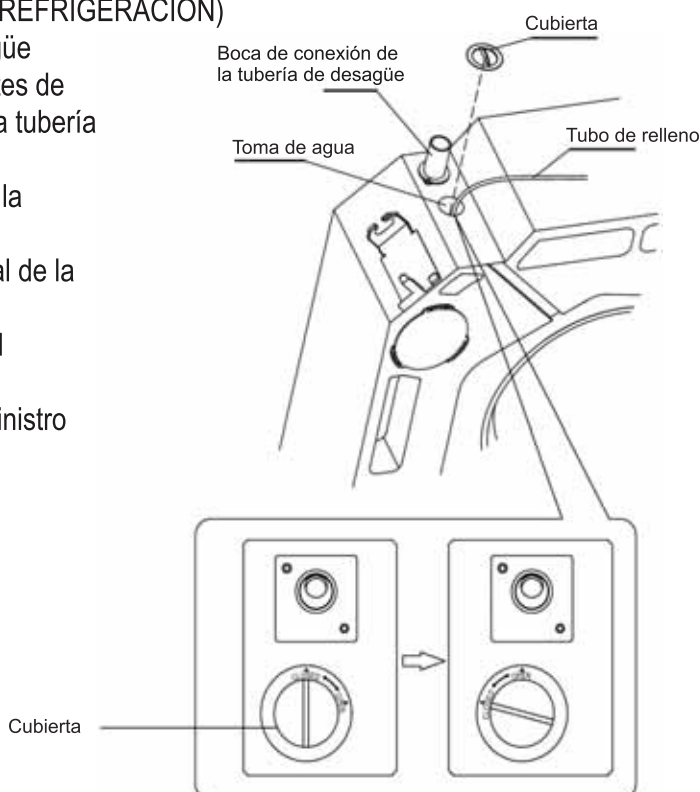
La unidad de casete viene equipada con una tubería de desagüe

- La tubería de desagüe debe instalarse a un máximo de 200 mm de la manguera flexible e instalar luego la tubería de desagüe horizontal con una inclinación de 1/100 o más y fijarla al espacio del colgador entre 1,0 y 1,5 m.
- La manguera flexible no debe instalarse en posición hacia arriba; podría hacer que el flujo de agua volviese a la unidad interior.



#### 2.4.2 Prueba de desagüe

- Abra la cubierta de la entrada de suministro de agua girando y tirando de la cubierta.
- Introduzca gradualmente aproximadamente 2 litros de agua en la unidad interior con el tubo de relleno.
- Haga funcionar la unidad en modo COOLING (REFRIGERACIÓN) y compruebe el bombeo de la tubería de desagüe (se permite un lapso de tiempo de 1 minuto antes de que fluya el agua en función de la longitud de la tubería de desagüe).
- Compruebe y confirme que el agua fluye hacia la manguera de desagüe.
- Compruebe que el agua de desagüe cae al final de la tubería de desagüe.
- Asegúrese de que no haya fugas de agua en el desagüe.
- Vuelva a colocar la cubierta de la toma de suministro de agua.



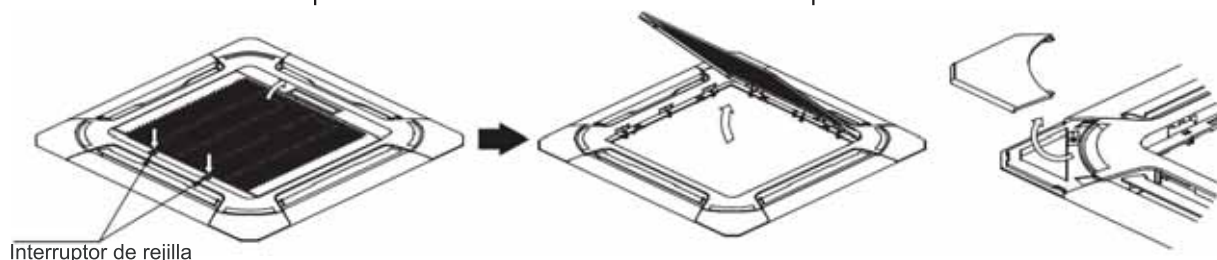
## 2. INSTALACIÓN DE LA UNIDAD INTERIOR

### 2.5 INSTALACIÓN DEL PANEL

#### **PRECAUCIÓN**

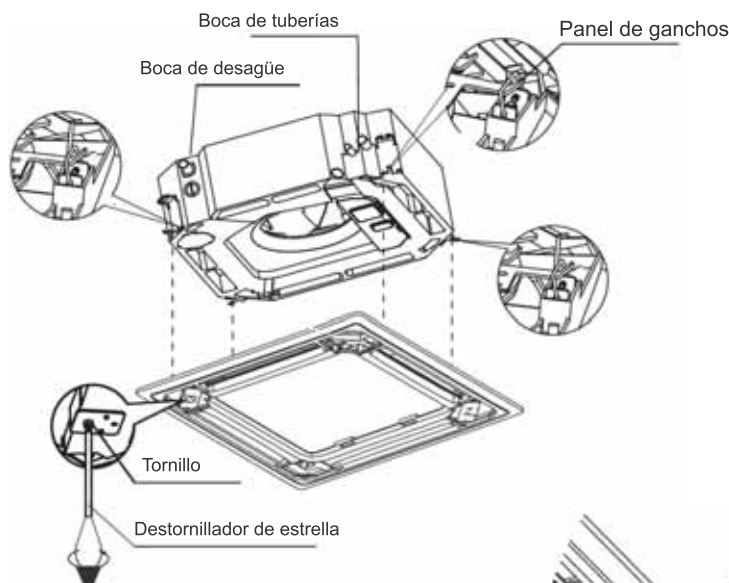
- Antes de instalar el panel, asegúrese de quitar la protección para el transporte entre el ventilador y el orificio.
- Instale el panel según la siguiente instrucción después de haber completado el trabajo con las tuberías y los cables.
- Una firmemente las secciones de conexión del panel, la superficie del techo y la unidad interior. Todo hueco entre ellas producirá fugas de aire y esto generará condensación o fugas de agua.

2.5.1 Empuje los dos interruptores de la rejilla simultáneamente, y levante la rejilla para extraer la rejilla de entrada de aire. Saque las cubiertas de instalación de las 4 esquinas.



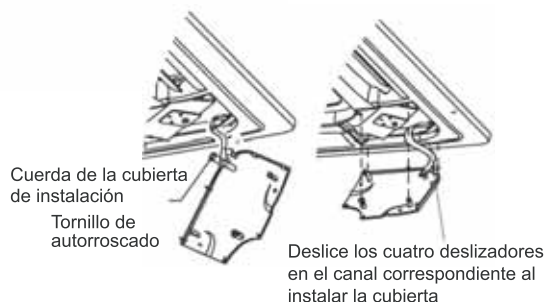
2.5.2 Instale el panel

- Alinee la esquina marcada con el lado de la tubería y el lado de desagüe con la interfaz de la tubería y la interfaz de desagüe del cuerpo principal.
- Cuelgue el panel en los ganchos del cuerpo principal.
- Apriete el tornillo de manera uniforme bajo el gancho del panel hasta que el grosor de la esponja entre el cuerpo principal y el panel se reduzca a aproximadamente 4-6 mm, y el borde del panel esté perfectamente en contacto con el techo.
- Conecte el cable del motor de oscilación con el empalme correspondiente del cuerpo principal.



2.5.3 Instale la rejilla de entrada de aire

- Cuelgue el gancho detrás de la rejilla de entrada de aire del panel.
- Conecte el cable de la pantalla en el empalme correspondiente del cuerpo principal.
- Cierre la rejilla de entrada de aire.
- Empuje la cubierta de instalación con delicadeza en el panel.



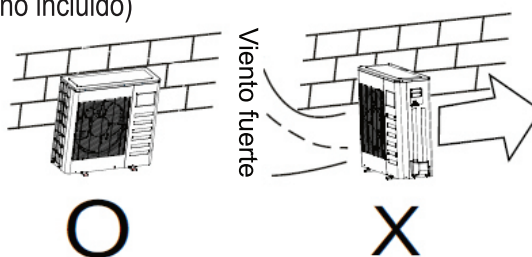


# 3. INSTALACIÓN DE LA UNIDAD EXTERIOR

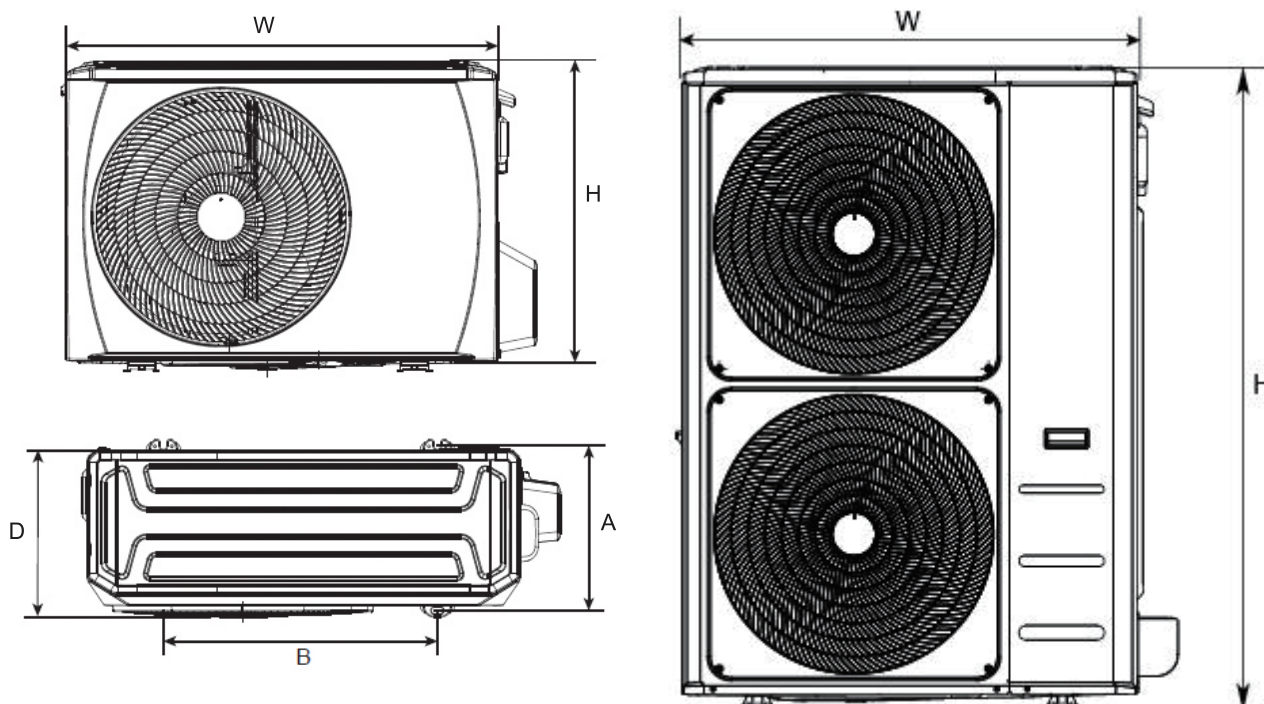
## 3.1 ELECCIÓN DEL LUGAR DE INSTALACIÓN

### UNIDAD EXTERIOR

- En un lugar protegido de la lluvia o de la luz solar directa.
- En un lugar bien ventilado y sin obstáculos junto a la salida y la entrada de aire.
- En un lugar que no amplifique el ruido de funcionamiento o la vibración de la unidad exterior.
- En un lugar que no cause ningún problema de desagüe con el agua descargada.
- Instale la unidad exterior correctamente en un sitio que sea lo suficientemente duradero para el peso de la unidad exterior.
- En un lugar que disponga de los espacios adecuados descritos
- En un lugar en que las tuberías entre las unidades interior y exterior queden dentro de los límites permitidos.
- En regiones expuestas a nevadas y temperaturas frías, evite la instalación de la unidad exterior en zonas que puedan quedar cubiertas por la nieve. Si se esperan fuertes nevadas, deberá instalarse un pedestal para hielo o nieve (no incluido) o un deflector de viento (no incluido) para proteger la unidad contra la acumulación de nieve y/o contra la obturación de la toma de aire.
- Si instala la unidad exterior en un lugar constantemente expuesto a un fuerte viento, es recomendable el uso de un deflector de viento.



## 3.2 DIMENSIÓN DE MONTAJE DE LA UNIDAD EXTERIOR

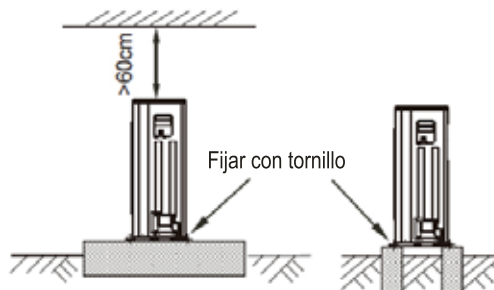
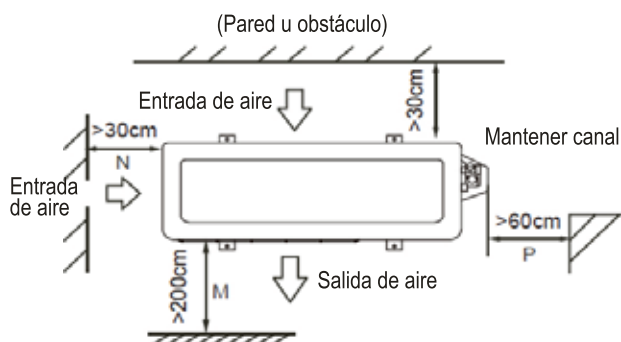


Model (38QUS)	Dimensión del esquema				
	W	H	D	A	B
024	845	702	363	350	540
030~042	945	810	420	403	673
048/060	952	1333	415	404	634

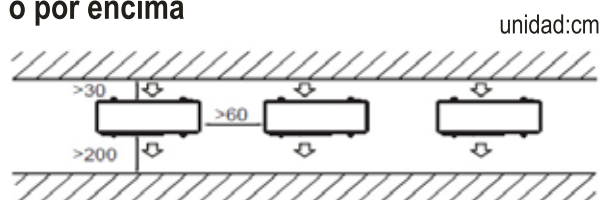
# 3. INSTALACIÓN DE LA UNIDAD EXTERIOR

## 3.3 REQUISITO DE ESPACIO PARA LA UNIDAD EXTERIOR

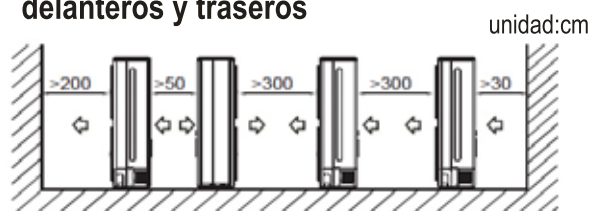
### Instalación de la unidad individual



Conecte en paralelo las dos unidades o por encima

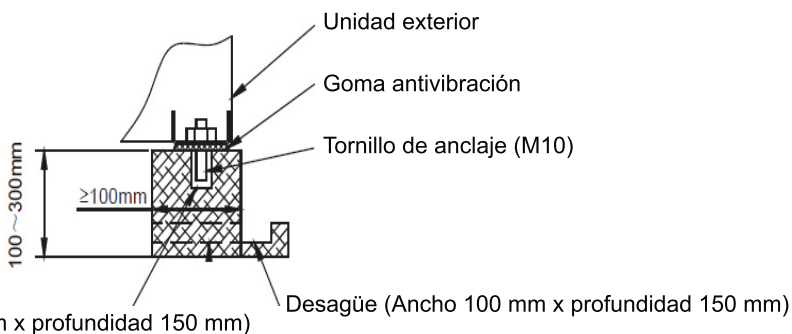


Conexión en paralelo de los lados delanteros y traseros



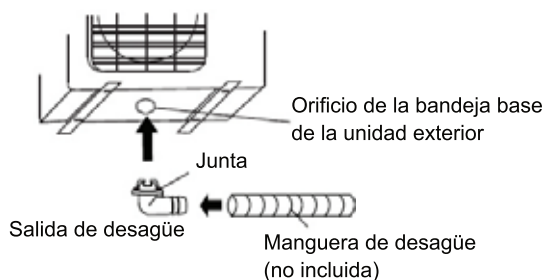
## 3.4 INSTALACIÓN DE LA UNIDAD EXTERIOR

- Antes de la instalación, compruebe la fortaleza y la horizontalidad de la base para que no se genere un sonido anormal.
- Fije la base firmemente a los tornillos de anclaje (M10) para evitar que se desplome.
- Instale la base y las gomas antivibración para que soporten directamente la superficie inferior de la pata de fijación que está en contacto con la placa inferior de la unidad exterior.



## 3.5 INSTALACIÓN DE LA TUBERÍA DE DESAGÜE PARA LA UNIDAD EXTERIOR

- Conecte la salida de desagüe a una manguera adecuada
- Coloque la junta en la salida de desagüe.
- Inserte la salida de desagüe en el orificio de la bandeja base de la unidad exterior y gírela 90 grados para fijarla de forma segura.



# 4. TUBERÍAS DE REFRIGERANTE

## PRECAUCIÓN

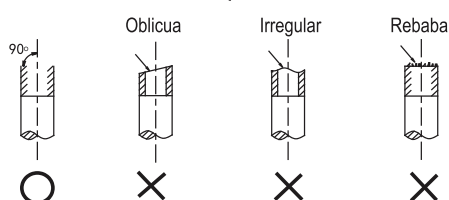
- Compruebe si la diferencia de altura entre la unidad interior y exterior y la longitud total de la tubería refrigerante satisface los requisitos del sistema.
- Las tuberías de refrigeración siguen la instalación de la unidad interior y exterior, conectando primero la tubería del lado interior y luego las del lado exterior.
- Mantenga siempre los extremos de las tuberías sellados colocando un tapón o cubriéndolos con cinta durante la instalación; NO los quite hasta que esté listo para conectar las tuberías.
- Asegúrese de aislar las tuberías en todo su recorrido hasta la conexión de tuberías del interior de la unidad. Toda tubería expuesta puede producir condensación o quemaduras si se toca.

### 4.1 SOBRE EL ABOCARDADO

#### NOTA

- Las herramientas necesarias para abocardar son un corta-tuberías, una fresa, una herramienta de abocardado y un sujeta-tuberías.
- Para los modelos de refrigerante R32, los puntos de conexión de la tubería deben colocarse fuera de la habitación.

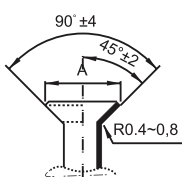
4.1.1 Utilice un corta-tuberías para cortar la batería a la longitud adecuada. Asegúrese de que el borde del corte esté a  $90^\circ$  respecto al lateral de la tubería.



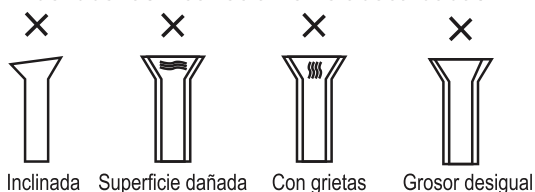
4.1.2 Utilice una fresa para eliminar las rebabas con la superficie de corte hacia abajo para que las virutas no entren en la tubería.

4.1.3 Realice el abocardado usando las herramientas de abocardado tal como se indica a continuación.

Diámetro exterior	A (mm)	
	Máx.	Mín.
Ø6,35mm	8,7	8,3
Ø9,52mm	12,4	12,0
Ø12,7mm	15,8	15,4
Ø15,88mm	19,0	18,6
Ø19,05mm	23,3	22,9

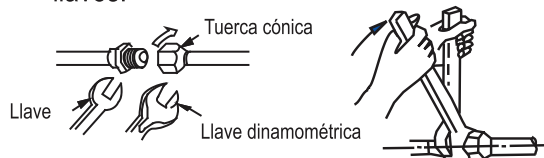


4.1.4 Compruebe si el abocardado se ha realizado correctamente. Consulte a continuación los ejemplos de tuberías incorrectamente abocardadas.



### 4.2 TUBERÍAS

4.2.1 Alinee el centro para apretar la tuerca cónica y termine la conexión usando dos llaves.



Tamaño de tubería	Par de torsión
Ø6,35mm	18 ~ 20 N.m
Ø9,52mm	25 ~ 26 N.m
Ø12,7mm	35 ~ 36 N.m
Ø15,88mm	45 ~ 47 N.m
Ø19,05mm	65 ~ 67 N.m

4.2.2 Seleccione el material de aislamiento adecuado para la tubería refrigerante. (Mín. 10 mm, espuma aislante térmica C)

- Utilice tuberías de aislamiento térmico independientes para el gas y el líquido.
- El grosor anterior es un estándar de una temperatura interior de  $27^\circ\text{C}$  y una humedad del 80%. Si la instalación se realiza en condiciones desfavorables como, por ejemplo, en baños, cocinas u otras ubicaciones similares, refuerce el aislamiento.
- La temperatura de resistencia al calor del aislamiento debe ser de más de  $120^\circ\text{C}$ .
- Utilice el pegamento en el componente de conexión de aislamiento para evitar que entre humedad.
- Repare y cubra las posibles grietas del aislamiento y compruebe especialmente la parte doblada o el cogedor de la tubería.

## PRECAUCIÓN

En caso de necesitar realizar soldaduras, trabaje con soplado de gas nitrógeno. Un par de torsión incorrecto producirá daños de abocardado o fugas de gas.

# 4. TUBERÍAS DE REFRIGERANTE

## 4.3 TUBERÍA DE REFRIGERANTE

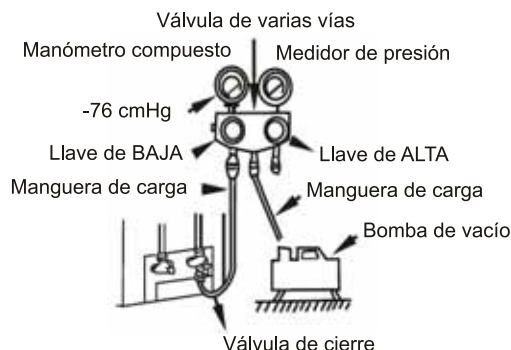
Modelo (38QUS)	Lado líquido	Lado gaseoso	Longitud de tubería permitida (m)	Diferencia de altura máx. (m)	Longitud sin carga (m)	Carga adicional por metro (R410A/R32)
024/030	Ø9,52mm	Ø15,88mm	50	25	5	30/24 g/m
036-060	Ø9,52mm	Ø15,88mm	65	30	5	30/24 g/m

e herramientas para el sistema R410A/R32 respectivamente;

2) Cuando la longitud de tubería está por encima de 5 m, el refrigerante adicional debe añadirse en función de la longitud de tuberías.

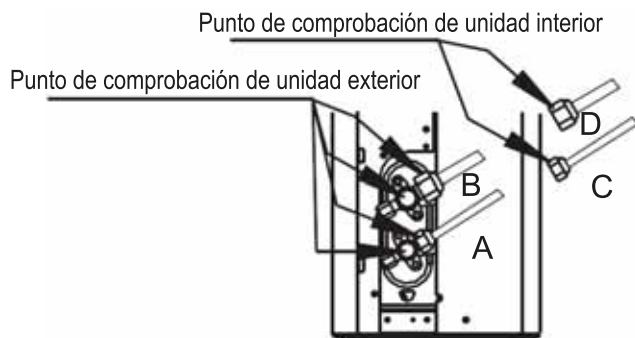
## 4.4 EVACUACIÓN DE AIRE

- Conecte la manguera de carga desde el manómetro a la boca de servicio de la válvula del lado del gas.
- Conecte la manguera de carga a la boca de la bomba de vacío.
- Abra completamente la llave del manómetro BAJA.
- Accione la bomba de vacío para evacuar el aire del sistema hasta 76 cmHg.
- Cierre completamente la llave del manómetro BAJA.
- Abra completamente la espiga de la válvula de las válvulas de cierre.
- Retire la manguera de carga de la boca de servicio.
- Fije y apriete los tapones de la válvula cierre.



## 4.5 PRUEBA DE FUGAS

Una vez finalizado el trabajo de tuberías, asegúrese de comprobar el componente de conexión de cada tubería refrigerante y confirme que no haya fugas de gas aplicando agua jabonosa a ellas o utilizando un detector de fugas específico para refrigerantes HFC. Consulte la siguiente imagen para obtener una ilustración.



A: Válvula de detención de presión baja

B: Válvula de detención de presión alta

C& D: Tuercas cónicas de la unidad interior

## 5. CABLEADO

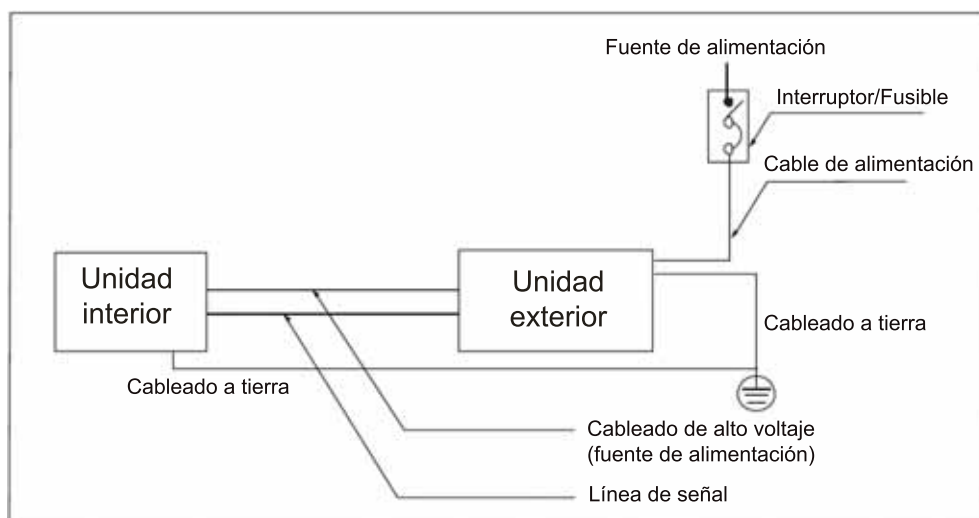
### ! PRECAUCIÓN

- Todas las conexiones eléctricas deben realizarlas instaladores cualificados y todos los cableados deben conectarse siguiendo el diagrama de cableado.
- Realice la conexión a tierra antes de cualquier otra conexión eléctrica.
- Todas las fuentes de alimentación deben estar apagadas antes de iniciar el trabajo de cableado y no debe encender la alimentación hasta que esté seguro de que todos los cableados se hayan comprobado de forma segura.
- Hay que instalar un interruptor principal y un disyuntor o fusible con una capacidad superior a 1,5 veces la intensidad máxima del circuito.
- Para este aparato debe haber un circuito derivado individual y un único enchufe.
- El diámetro del conductor está en función de la intensidad nominal y del código de cableado eléctrico nacional. Consulte las normas de construcción locales y el Código Eléctrico Nacional para saber si hay requisitos especiales.
- Si el cable de alimentación está dañado, debe ser reemplazado por el fabricante, el agente de mantenimiento o por personal cualificado con el fin de evitar situaciones de peligro.
- La unidad debe estar conectada a la fuente de alimentación principal por medio de un disyuntor o un interruptor con una separación de al menos 3 mm entre todos los polos de contacto. Se aconseja la instalación de un interruptor diferencial (ID) con una corriente residual de funcionamiento que no exceda de 30 mA.

Existen dos tipos de conexión de cable. Consulte el diagrama de cableado detenidamente antes de conectar el cable.

### 5.1 ALIMENTACIÓN DEL LADO EXTERIOR

- Figura de cableado



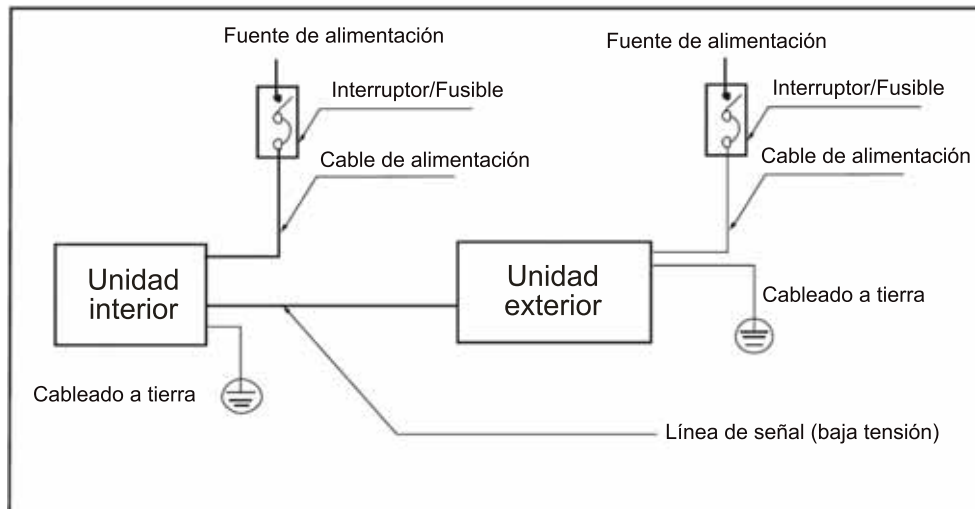
- Fuente de alimentación y especificación de los cables en conexión

Modelo (Btu/h)		24k(R410A)
Fuente de alimentación	Fase	1-Phase
	Frecuencia y tensión	220-240V~ 50Hz
Corriente nominal		16.0A
Régimen de fusibles (suministro)		25A
Cable de alimentación (suministro)		H07RN-F; 3×2.5mm <sup>2</sup>
Conexiones de interior/externo (suministro)		H07RN-F; 4×2.5mm <sup>2</sup>

# 5. CABLEADO

## 5.2 FUENTE DE ALIMENTACIÓN INDEPENDIENTE

### ■ Figura de cableado



### ■ Fuente de alimentación y especificación de los cables en conexión

Modelo (Btu/h)		24k(R32)	30k	36k/42k	48k
Interior	Fase	1-Phase			
	Frecuencia y tensión	220-240V~ 50Hz			
	Corriente nominal	2.0A	2.0A	2.0A	2.0A
	Régimen de fusibles (suministro)	10A	10A	10A	10A
	Cable de alimentación (suministro)	H05VV-F; 3×1.0mm <sup>2</sup>	H05VV-F; 3×1.0mm <sup>2</sup>	H05VV-F; 3×1.0mm <sup>2</sup>	H05VV-F; 3×1.0mm <sup>2</sup>
Al aire libre	Fase	1-Phase	1-Phase	1-Phase	1-Phase
	Frecuencia y tensión	220-240V~ 50Hz	220-240V~ 50Hz	220-240V~ 50Hz	220-240V~ 50Hz
	Corriente nominal	13.5A	19.0A	23.0A	26.5A
	Disyuntor (suministro)	25A	50A	50A	70A
	Cable de alimentación (suministro)	H07RN-F; 3×2.5mm <sup>2</sup>	H07RN-F; 3×2.5mm <sup>2</sup>	H07RN-F; 3×4.0mm <sup>2</sup>	H07RN-F; 3×4.0mm <sup>2</sup>
Conexiones de interior/exterio (suministro)		Shielded wire; 2×0.2mm <sup>2</sup>	Shielded wire; 2×0.2mm <sup>2</sup>	Shielded wire; 2×0.2mm <sup>2</sup>	Shielded wire; 2×0.2mm <sup>2</sup>

## 5. CABLEADO

### ■ Fuente de alimentación y especificación de los cables en conexión

Modelo (Btu/h)		36k(3N)	48k(3N)	60k(3N)
Interior	Fase	1-Phase	1-Phase	1-Phase
	Frecuencia y tensión	220-240V~ 50Hz		
	Corriente nominal	1.0A	1.0A	1.0A
	Régimen de fusibles (suministro)	10A	10A	10A
	Cable de alimentación (suministro)	H05VV-F; 3×1.0mm <sup>2</sup>	H05VV-F; 3×1.0mm <sup>2</sup>	H05VV-F; 3×1.0mm <sup>2</sup>
Al aire libre	Fase	3-Phase	3-Phase	3-Phase
	Frecuencia y tensión	380-415V 3N~ 50Hz		
	Corriente nominal	10.0A	13.0A	14.0A
	Disyuntor (suministro)	25A	32A	32A
	Cable de alimentación (suministro)	H07RN-F; 5×2.5mm <sup>2</sup>	H07RN-F; 5×2.5mm <sup>2</sup>	H07RN-F; 5×2.5mm <sup>2</sup>
Conexiones de interior/exterior (suministro)		Shielded wire; 2×0.2mm <sup>2</sup>	Shielded wire; 2×0.2mm <sup>2</sup>	Shielded wire; 2×0.2mm <sup>2</sup>

### PRECAUCIÓN

- Separe el cableado de baja tensión (cable de señal) y el cableado de alta tensión (cableado de fuente de alimentación) al menos 0,5 m para que no pasen por el mismo lugar juntos. La proximidad puede producir interferencias eléctricas, funcionamiento incorrecto y daños.

### NOTAS SOBRE LAS ESPECIFICACIONES DE LOS FUSIBLES

(aplicables a las unidades que utilizan solo el refrigerante R32 y el fusible es cerámico).

1. La especificación del fusible de la unidad exterior es T20A/250 V CA (para unidad <24 000 Btu/h), T30A/250 V CA (para unidad >24 000 Btu/h).
2. La especificación del fusible de la unidad interior es T5A/250 V CA, T10A/250 V CA.

# 6. COMPROBACIÓN FINAL Y PRUEBA DE FUNCIONAMIENTO

## 6.1 LISTA DE COMPROBACIÓN FINAL

Para completar la instalación, realice las siguientes comprobaciones antes del funcionamiento piloto.

- Resistencia del lugar de la instalación tanto por el lado interior como exterior, confirme que no haya obstrucción de la salida de aire de la unidad ni devolución.
- Tensión de la conexión de tuberías refrigerantes y confirmación de que no hay fugas
- Las conexiones de cableado eléctrico están perfectamente acabadas y la unidad se ha conectado a tierra
- Compruebe la longitud total de las tuberías y registre el volumen del refrigerante cargado adicional
- La fuente de alimentación debe cumplir con la tensión nominal del aire acondicionado
- Aislamiento de la tubería
- Desagüe
- Retire el cojín de transporte entre el ventilador y la caja de control. Y vuelva a ensamblar el panel lateral y la rejilla.

## 6.2 FUNCIONAMIENTO MANUAL

Puede acceder al funcionamiento manual pulsando el botón Manual del panel de visualización.

Pulse el botón manual varias veces para cambiar los modos de la siguiente manera:

- Una vez = modo AUTO [calor, refrigeración o ventilador a 24 °C y ventilador en velocidad automática].
- Dos veces = modo de refrigeración [cambia al modo AUTO después de 30 minutos (se utiliza principalmente para funcionamiento piloto)].
- Tres veces = APAGADO

## 6.3 PRUEBA DE FUNCIONAMIENTO

Configure el aire acondicionado en el modo COOLING (REFRIGERACIÓN) con el mando a distancia (o el botón Manual) y compruebe el estado "en funcionamiento" tanto en la unidad interior como en la unidad exterior. En caso de que funcione incorrectamente, resuélvalo de acuerdo al capítulo "Solución de problemas" en el "Manual de reparación".

Unidad interior

- Si los botones (por ejemplo, ON/OFF, MODE, TEMPERATURE, FAN SPEED etc.) del mando a distancia funcionan bien.
- Si la lumbrera se mueve con normalidad.
- Si la temperatura ambiente está bien ajustada.
- Si los indicadores luminosos del panel de visualización son normales.
- Si el botón "manual" funciona bien.
- Si el desagüe es normal.
- Si hay un ruido anormal o una vibración durante el funcionamiento.
- Si la unidad interna funciona bien en los modos COOLING (FRÍO) o HEATING (CALOR).

Unidad exterior

- Si hay un ruido anormal o una vibración durante el funcionamiento.
- Si el viento, el ruido o la condensación generada por el aire acondicionado no molestan a sus vecinos.
- Si hay alguna fuga de refrigerante.

### PRECAUCIÓN

- Al reiniciar la unidad, habrá un retardo de aproximadamente 3 minutos de ejecución por protección.



## 7. INFORMACIÓN PARA EL SERVICIO TÉCNICO

### 7.1 COMPROBACIONES EN EL ÁREA

Antes de comenzar a trabajar en sistemas que contienen refrigerantes inflamables, hay que realizar comprobaciones de seguridad para garantizar que el riesgo de ignición se reduce al mínimo. En la reparación del sistema de refrigeración, hay que cumplir las siguientes precauciones antes de realizar trabajos en el sistema.

### 7.2 PROCEDIMIENTO DE TRABAJO

Los trabajos se realizarán siguiendo un procedimiento controlado con el fin de minimizar el riesgo de presencia de gas o vapor inflamable mientras se está realizando el trabajo.

### 7.3 ÁREA DE TRABAJO GENERAL

Todo el personal de mantenimiento y otras personas que trabajen en el área deben haber recibido formación sobre la naturaleza del trabajo que se realiza. Debe evitarse trabajar en espacios confinados. El área alrededor de la zona de trabajo debe delimitarse. Asegúrese de que las condiciones dentro de la zona de seguridad son seguras mediante el control del material inflamable.

### 7.4 COMPROBACIÓN DE PRESENCIA DE REFRIGERANTE

El área deberá comprobarse con un detector de refrigerante adecuado antes y durante el trabajo, para asegurarse de que el técnico sepa si hay atmósferas potencialmente inflamables. Asegúrese de que el equipo de detección de fugas que se utiliza es adecuado para su uso con refrigerantes inflamables, es decir, sin chispas, debidamente sellado o de seguridad intrínseca.

### 7.5 PRESENCIA DE UN EXTINTOR

Si se va a realizar algún trabajo que requiera la aplicación de calor en el equipo de refrigeración o en los componentes asociados, debe disponer de un extintor de incendios adecuado al alcance de la mano. Tenga un extintor seco o de CO<sub>2</sub> junto a la zona de carga.

### 7.6 AUSENCIA DE FUENTES DE IGNICIÓN

Toda persona que realice trabajos relacionados con un sistema de refrigeración que implique exponer cualquier tubería que contenga o que haya contenido refrigerante inflamable no debe utilizar ninguna fuente de ignición de tal manera que pueda suponer un riesgo de incendio o explosión. Todas las posibles fuentes de ignición, incluido el tabaco, deben mantenerse lo suficientemente lejos del lugar de la instalación, reparación, desmontaje y desecho, con el fin de evitar que el refrigerante que se pueda liberar en la zona se inflame. Antes de empezar el trabajo, hay que observar el área alrededor del equipo para asegurarse de que no existen riesgos de inflamación o riesgos de ignición. Deberá haber una señalización de "NO FUMAR".

### 7.7 ÁREA VENTILADA

Asegúrese de que la zona esté abierta o que tenga la ventilación adecuada antes de abrir el sistema o de realizar cualquier trabajo con aplicación de calor. Deberá seguir habiendo ventilación suficiente durante el período que se realiza el trabajo. La ventilación debe dispersar de forma segura todo el refrigerante liberado y expulsarlo preferiblemente a la atmósfera externa.

### 7.8 COMPROBACIONES EN EL EQUIPO DE REFRIGERACIÓN

Cuando se cambien componentes eléctricos, estos deberán ser aptos para la finalidad y tener la especificación correcta. Se deben seguir en todo momento las directrices de mantenimiento y servicio del fabricante. En caso de duda consulte con el departamento técnico del fabricante. Las siguientes comprobaciones deben realizarse en las instalaciones que utilizan refrigerantes inflamables:

# 7. INFORMACIÓN PARA EL SERVICIO TÉCNICO

- el tamaño de la carga debe ser adecuado para el tamaño de la sala en la que están instalados los componentes que contienen refrigerante;
- la maquinaria de ventilación y las salidas funcionan adecuadamente y no están obstruidas;
- si se utiliza un circuito de refrigeración indirecta, hay que verificar si en los circuitos secundarios se detecta presencia de refrigerante; las advertencias continúan siendo visibles y legibles en el equipo.
- las advertencias y señales que no se pueden leer deben corregirse;
- la tubería o componentes de refrigeración están instalados en una posición en la que no es probable que queden expuestos a cualquier sustancia que puede corroer los componentes que contienen refrigerante, a menos que los componentes estén contruidos con materiales que son inherentemente resistentes a la corrosión o que estén adecuadamente protegidos contra la corrosión.

## 7.9 COMPROBACIONES EN LOS DISPOSITIVOS ELÉCTRICOS

La reparación y mantenimiento de componentes eléctricos deberán incluir comprobaciones de seguridad iniciales y procedimientos de inspección de los componentes. Si existe una avería que pueda poner en peligro la seguridad, se debe cortar la alimentación eléctrica al circuito hasta que el problema esté resuelto. Si la avería no se puede corregir de inmediato pero es necesario que el sistema siga funcionando, deberá utilizarse una solución temporal adecuada. Esto se notificará al propietario del equipo para que todas las partes estén avisadas.

### **Las comprobaciones de seguridad iniciales incluirán:**

- comprobar que los condensadores están descargados: esto se hará de manera segura para evitar la posibilidad de chispas
- que no hay componentes eléctricos y cables de fase que estén expuestos durante la carga, la recuperación o la purga del sistema;
- que la conexión a tierra tiene continuidad.

## 7.10 REPARACIÓN DE LOS COMPONENTES SELLADOS

- 10.1 Durante la reparación de componentes sellados, todas las fuentes de alimentación eléctrica del equipo en el que se trabaja se deben desconectar antes de quitar las cubiertas selladas, etc. Si es absolutamente necesario disponer de alimentación eléctrica en el equipo durante el trabajo, debe colocarse un sistema de permanente de detección de fugas en el punto más crítico para advertir de una situación potencialmente peligrosa.
- 10.2 Se prestará especial atención a lo siguiente para asegurarse de que al trabajar en los componentes eléctricos no se altera la carcasa de manera que afecte al nivel de protección. Esto debe incluir daños a los cables, excesivo número de conexiones, terminales que no cumplen la especificación original, daños en las juntas, montaje incorrecto de los prensaestopas, etc.
- Asegúrese de que el aparato se monta de manera segura.
  - Asegúrese de que las juntas o materiales de sellado no se han degradado de tal manera que ya no sirvan para impedir la entrada de atmósferas inflamables. Las piezas de repuesto deben cumplir las especificaciones del fabricante.

NOTA: El uso de sellador de silicona puede inhibir la eficacia de algunos tipos de equipos de detección de fugas. Los componentes intrínsecamente seguros no tienen que aislarse para trabajar en ellos.

## 7.11 REPARACIÓN DE COMPONENTES INTRÍNSICAMENTE SEGUROS

No aplique cargas inductivas o capacitancia permanentes en el circuito sin asegurarse de que esto no va a superar la tensión e intensidad de corriente admitida para el equipo en uso. Mientras se esté en una atmósfera inflamable y haya corriente eléctrica solo se puede trabajar en los componentes intrínsecamente seguros. El aparato de prueba debe tener el voltaje correcto. Sustituya componentes solo por otros especificados por el fabricante. Otros componentes pueden provocar la ignición del refrigerante en la atmósfera en caso de fuga.

## 7. INFORMACIÓN PARA EL SERVICIO TÉCNICO

### 7.12 CABLES

Verifique que los cables no estén sujetos a desgaste, corrosión, presión excesiva, vibración, bordes afilados o cualquier otro efecto ambiental adversos. La comprobación también deberá tener en cuenta los efectos del envejecimiento o la vibración continua de fuentes tales como compresores o ventiladores.

### 7.13 DETECCIÓN DE REFRIGERANTES INFLAMABLES

En ningún caso se pueden utilizar fuentes potenciales de ignición para buscar o detectar fugas de refrigerante. No se debe utilizar una antorcha de haluro (ni ningún otro detector que tenga llama viva).

### 7.14 MÉTODOS DE DETECCIÓN DE FUGAS

Los siguientes métodos de detección de fugas se consideran aceptables para los sistemas que contienen refrigerantes inflamables. Para detectar los refrigerantes inflamables se deben utilizar detectores de fugas electrónicos, pero la sensibilidad de los mismos puede no ser la adecuada o pueden necesitar recalibración. (El equipo de detección se calibrará en un área libre de refrigerante.) Asegúrese de que el detector no es una fuente potencial de ignición y es adecuado para el refrigerante. Los equipos de detección de fugas deben fijarse en un porcentaje del nivel inferior de inflamabilidad (LFL) del refrigerante y se calibrará en función del refrigerante utilizado y del porcentaje adecuado de gas (25% máximo). Los fluidos de detección de fugas son adecuados para su uso con la mayoría de refrigerantes pero debe evitarse el uso de detergentes que contienen cloro puesto que puede reaccionar con el refrigerante y corroer el cobre del tubo. Si se sospecha una fuga, se deberán retirar o apagar todas las llamas vivas. Si se encuentra una fuga de refrigerante que requiera soldadura, habrá que recuperar todo el refrigerante del sistema, o aislarlo (por medio de válvulas de cierre) en una parte del sistema alejada de la fuga. El sistema debe purgarse con nitrógeno de alta pureza antes y durante el proceso de soldadura.

### 7.15 EXTRACCIÓN Y EVACUACIÓN

Cuando se abre el circuito de refrigerante para hacer las reparaciones o con cualquier otra finalidad, se utilizarán los procedimientos convencionales. Sin embargo, es importante seguir las prácticas recomendadas teniendo presente la inflamabilidad. El siguiente procedimiento debe seguirse para:

- extraer el refrigerante;
- purgar el circuito con gas inerte;
- evacuar;
- purgar de nuevo con gas inerte;
- abrir el circuito por corte o soldadura.

La carga de refrigerante se recuperará en cilindros de recuperación adecuados. El sistema debe ser lavado con nitrógeno de alta pureza (nitrógeno sin oxígeno, OFN) para que la unidad sea segura. Puede ser necesario repetir este proceso varias veces.

Para esta tarea no se debe utilizar aire comprimido u oxígeno.

El lavado se realizará quitando el vacío del sistema rellenándolo con nitrógeno de alta pureza hasta alcanzar la presión de trabajo, luego se dejará salir el nitrógeno a la atmósfera y finalmente se volverá a realizar el vacío. Este proceso se debe repetir hasta que no quede nada de refrigerante en el sistema.

Cuando se realice la carga final de nitrógeno de alta pureza, el sistema se deberá ventilar a presión atmosférica para poder realizar el trabajo. Esta operación es absolutamente fundamental si se van a realizar soldaduras en la tubería. Asegúrese de que la salida de la bomba de vacío no está cerca de ninguna fuente de ignición y que haya una buena ventilación.

# 7. INFORMACIÓN PARA EL SERVICIO TÉCNICO

## 7.16 PROCEDIMIENTOS DE CARGA

Además de los procedimientos convencionales de carga, se deberán seguir las siguientes normas:

- Asegúrese de que no se contaminan los distintos refrigerantes al utilizar el equipo de carga. Las mangueras o tubos deberán ser lo más cortos que sea posible para reducir al mínimo la cantidad de refrigerante contenido en ellos.
- Los cilindros deberán mantenerse en posición vertical.
- Asegúrese de que el sistema de refrigeración está conectado a tierra antes de cargar el sistema con refrigerante.
- Etiquete el sistema después de realizar la carga (si no lo ha hecho todavía).
- Debe extremarse la precaución para no sobrecargar el sistema de refrigeración.
- Antes de recargar el sistema deberá probarse la presión del mismo con nitrógeno de alta pureza. Después de la carga del sistema deberá realizarse una prueba de fugas del sistema (antes de la puesta en servicio). Prueba de fugas.

## 7.17 DESMANTELAMIENTO

Antes de llevar a cabo este procedimiento, es esencial que el técnico esté totalmente familiarizado con el equipo y con todos sus detalles. La buena práctica recomendada es recuperar todos los refrigerantes de forma segura. Antes de realizar la tarea, se tomará una muestra de aceite y refrigerante.

En caso de que se requiera analizar el refrigerante recuperado antes de reutilizarlo. Es esencial disponer de energía eléctrica para poder comenzar la tarea.

- a) Familiarícese con el equipo y su funcionamiento.
- b) El sistema debe estar aislado de la electricidad
- c) Antes de efectuar la operación asegúrese de que:
  - dispone de equipo mecánico de manipulación, si es necesario, para el manejo de los cilindros de refrigerante;
  - todo el equipo de protección personal está disponible y se utiliza correctamente;
  - el proceso de recuperación es supervisado en todo momento por una persona competente;
  - el equipo de recuperación y los cilindros se ajustan a las normas correspondientes.
- d) Retire el refrigerante del sistema, si es posible.
- e) Si no es posible hacer el vacío, coloque un colector de manera que el refrigerante puede ser retirado de las diversas partes del sistema.
- f) Asegúrese de que el cilindro se encuentra sobre las básculas antes de realizar la recuperación.
- g) Arranque la máquina de recuperación y opere según las instrucciones del fabricante.
- h) No llene los cilindros en exceso. (No más del 80% del volumen de carga líquida).
- i) No exceda la presión máxima del cilindro, aunque sea temporalmente.
- j) Cuando los cilindros se hayan llenado correctamente y el proceso haya terminado, asegúrese de que los cilindros y los equipos se retiran del sitio rápidamente y que todas las válvulas de aislamiento están cerradas.
- k) El refrigerante recuperado no se cargará en otro sistema de refrigeración a menos que haya sido limpiado y comprobado.

## 7.18 ETIQUETADO

El equipo debe ser etiquetado indicando que se ha desmantelado y que se ha vaciado de refrigerante. La etiqueta deberá estar fechada y firmada. Asegúrese de que no hay etiquetas en el equipo indicando que el equipo contiene refrigerante inflamable.

## 7. INFORMACIÓN PARA EL SERVICIO TÉCNICO

### 7.19 RECUPERACIÓN

- Al retirar el refrigerante de un sistema, ya sea para desmantelarlo o para repararlo, se recomienda encarecidamente que los refrigerantes se extraigan de forma segura.
- Al transferir el refrigerante a los cilindros, asegúrese de que solo se emplean cilindros de recuperación adecuados para el refrigerante. Asegúrese de que dispone de cilindros suficientes para la carga total del sistema. Todos los cilindros que se utilizarán deben estar diseñados para el refrigerante recuperado y etiquetados para dicho refrigerante (es decir, cilindros especiales para la recuperación de refrigerante). Los cilindros deben disponer de válvula de alivio de presión y válvulas de cierre en buen estado de funcionamiento.
- Los cilindros de recuperación se deben haber vaciado y, si es posible, enfriados antes de realizar la recuperación.
- El equipo de recuperación deberá estar en buen estado de funcionamiento y deberá ser adecuado para la recuperación de refrigerantes inflamables; además, deberá tener a mano instrucciones relativas al equipo. Además, debe disponer de un conjunto de básculas calibradas y en buen estado de funcionamiento.
- Las mangueras deben incluir acoplamientos para la desconexión sin fugas y en buenas condiciones. Antes de usar la máquina de recuperación, compruebe que está en estado de funcionamiento satisfactorio, que se ha mantenido correctamente y que los componentes eléctricos asociados están sellados para evitar la posible ignición en el caso de una fuga de refrigerante. Consulte con el fabricante en caso de duda.
- El refrigerante recuperado debe devolverse al proveedor de refrigerante en un cilindro de recuperación adecuado con la nota de transferencia de residuos correspondiente. No mezcle refrigerantes en las unidades de recuperación y, especialmente, en los cilindros.
- Si se van a quitar los compresores o los aceites del compresor, asegúrese de que se han vaciado a un nivel aceptable para asegurarse de que el refrigerante inflamable no permanezca dentro del lubricante. El proceso de vaciado se debe realizar antes de devolver el compresor a los proveedores. Para acelerar este proceso solo se debe utilizar calefacción eléctrica con el cuerpo del compresor. Cuando se extrae el aceite del sistema, debe desecharse adecuadamente..

### 7.20 TRANSPORTE, MARCADO Y ALMACENAMIENTO DE UNIDADES

1. El transporte de equipos que contengan refrigerantes inflamables debe realizarse cumpliendo las normas de transporte
2. El marcado de los equipos debe realizarse con señales que cumplan las regulaciones locales
3. La eliminación de equipos que contengan refrigerantes inflamables debe realizarse cumpliendo las normas nacionales.
4. Almacenamiento de equipos/electrodomésticos  
El almacenamiento del equipo debe realizarse de acuerdo con las instrucciones del fabricante.
5. Almacenamiento del equipo empaquetado (sin vender)  
El paquete de protección para el almacenamiento deberá estar construido de tal manera que un daño mecánico al equipo dentro del paquete no provoque una fuga de la carga de refrigerante.  
El número máximo de equipos que se permiten almacenar juntos estará determinado por las regulaciones locales.



## Élimination appropriée de ce produit (appareils électriques et électroniques usagés)

**(Lorsque vous utilisez ce climatiseur dans les pays européens, il convient d'appliquer les directives suivantes.)**

- Ce marquage figurant sur le produit ou sa documentation indique que les déchets d'équipements électriques et électroniques (DEEE conformément à la directive 2012/19/UE) ne devront pas être mélangés avec les déchets ménagers généraux.

Il est interdit de jeter cet appareil avec les ordures ménagères.

Plusieurs possibilités s'offrent à vous, pour l'élimination :

1. Votre municipalité a mis en place des systèmes de collecte, grâce auxquels les utilisateurs peuvent se débarrasser de leurs déchets électroniques gratuitement.
2. Lorsque vous achetez un nouveau produit, le détaillant reprend l'ancien produit gratuitement.
3. Le fabricant reprend gratuitement l'ancien appareil pour l'éliminer.
4. Comme les anciens produits contiennent des matériaux de valeur, ils peuvent être vendus à des ferrailleurs.

L'élimination sauvage de déchets dans les forêts et la nature met en péril votre santé, car des substances dangereuses peuvent s'infiltrer dans le sol et se retrouver dans les produits alimentaires que vous consommez.

### Ce produit contient des gaz fluorés encadrés par le Protocole de Kyoto

Nom chimique du gaz	R410A / R32
Potentiel de réchauffement planétaire (PRP) du gaz	2088 / 675

#### ⚠ ATTENTION

1. Collez l'étiquette du produit frigorigène jointe à côté de l'emplacement de chargement et/ou de récupération.
2. Inscrivez clairement à l'encre indélébile la quantité de produit frigorigène chargée sur l'étiquette.
3. Évitez toute émission des gaz fluorés renfermés. Vérifiez que le gaz fluoré n'est pas rejeté dans l'atmosphère lors de l'installation, de l'entretien ou de l'élimination. Lorsqu'une fuite de gaz fluoré est détectée, celle-ci doit être stoppée et réparée dès que possible.
4. Seul un technicien qualifié est autorisé à réparer cet appareil.
5. Toute manipulation du gaz fluoré lors du transport ou de la recharge en gaz de cet appareil doit être conforme à la réglementation (CE) n° 517/2014 relative à certains gaz à effet de serre fluorés et à la législation locale en vigueur.
6. Pour toute question, contactez par exemple un revendeur ou un installateur.

Unité intérieure	Unité extérieure	Tension nominale et Hz
42QTD024DS*	38QUS024DS*	220-240V~ 50Hz
42QTD024R8S*	38QUS024R8S*	
42QTD030DS*	38QUS030DS*	
42QTD030R8S*	38QUS030R8S*	
42QTD036R8S*	38QUS036DS*/38QUS036R8S*	IDU: 220-240V~ 50Hz ODU: 380-415V 3N~ 50Hz
42QTD042R8S*	38QUS042DS*/38QUS042R8S*	
42QTD048R8S*	38QUS048DS*	
42QTD036R8S*	38QUS036DT*/38QUS036R8T*	
42QTD048R8S*	38QUS048DT*/38QUS048R8T*	
42QTD060R8S*	38QUS060DT*/38QUS060R8T*	

Le fabricant se réserve le droit de modifier les caractéristiques du produit sans préavis.

# TABLE DES MATIÈRES

<b>1. PRÉPARATION DE L'INSTALLATION</b> .....	<b>3</b>
1.1 Consignes de sécurité .....	3
1.2 Accessoires .....	5
<b>2. INSTALLATION DE L'UNITÉ INTÉRIEURE</b> .....	<b>6</b>
2.1 Choix de l'emplacement d'installation .....	6
2.2 Installation des boulons de suspension .....	7
2.3 Suspension de l'unité intérieure .....	7
2.4 Installation du tuyau d'évacuation.....	8
2.5 Installation du panneau .....	9
<b>3. INSTALLATION DE L'UNITÉ EXTÉRIEURE</b> .....	<b>10</b>
3.1 Choix de l'emplacement d'installation .....	10
3.2 Dimensions de montage de l'unité extérieure .....	10
3.3 Espace requis pour l'unité extérieure .....	11
3.4 Installation de l'unité extérieure.....	11
3.5 Installation du tuyau d'évacuation de l'unité extérieure.....	11
<b>4. TRAVAUX DE TUYAUTERIE POUR LE PRODUIT FRIGORIGÈNE</b> .....	<b>12</b>
4.1 Évasement .....	12
4.2 Travaux de tuyauterie .....	12
4.3 Conduite de produit frigorigène.....	13
4.4 Évacuation de l'air .....	13
4.5 Test d'étanchéité .....	13
<b>5. CÂBLAGE</b> .....	<b>14</b>
5.1 Alimentation à partir de l'emplacement extérieur .....	14
5.2 Alimentation autonome.....	15
<b>6. VÉRIFICATION FINALE ET TEST DE FONCTIONNEMENT</b> .....	<b>17</b>
6.1 Liste de vérification finale .....	17
6.2 Fonctionnement manuel .....	17
6.3 Test de fonctionnement .....	17
<b>7. INFORMATIONS RELATIVES À L'ENTRETIEN</b> .....	<b>18</b>



Mise en garde : **Risque d'incendie pour le fluide frigorigène R32/R290 seulement**

# 1. PRÉPARATION DE L'INSTALLATION

## 1.1 CONSIGNES DE SÉCURITÉ

- L'installation, la mise en service et l'entretien des équipements de climatisation peuvent s'avérer dangereux en raison de la pression du système, des composants électriques et de l'emplacement des équipements (toits, structures surélevées, etc.).
- Seul un installateur ou un technicien qualifié et formé doit installer, démarrer et entretenir cet équipement. Lorsque vous utilisez cet équipement, respectez les précautions mentionnées dans la documentation et sur les étiquettes et autocollants apposés dessus.
- Respectez tous les codes de sécurité. Portez des lunettes de sécurité et des gants de travail. Lors du brasage, gardez toujours à proximité de vous un chiffon humide et un extincteur. Faites particulièrement attention lors de la manipulation, du réglage et de la mise place du matériel encombrant.
- Lisez attentivement ces instructions et respectez tous les avertissements ou mises en garde figurant dans le guide et joints à l'appareil. Consultez les codes de construction locaux et le code national de l'électricité pour connaître les exigences particulières.

### AVERTISSEMENT

Ce symbole indique un risque de blessures ou de décès.

- **Le gaz réfrigérant est plus lourd que l'air et remplace l'oxygène. Une fuite importante peut conduire à un appauvrissement en oxygène, en particulier dans les sous-sols et à un risque d'asphyxie, entraînant des blessures graves ou la mort.**
- **Lorsque le climatiseur est installé dans une petite pièce, les mesures appropriées doivent être prises pour veiller à ce que la concentration de produit frigorigène dans la pièce en cas de fuite ne dépasse pas le niveau critique.**
- **En cas de fuite de gaz réfrigérant pendant l'installation, aérez immédiatement la zone.**  
Le gaz réfrigérant peut produire un gaz toxique s'il entre en contact avec une flamme, par exemple celle d'un générateur d'air chaud, d'une cuisinière ou d'un appareil de cuisson.  
L'exposition à ce gaz peut provoquer des blessures graves ou la mort.
- **Débranchez l'appareil de la source d'alimentation avant toute intervention électrique. Branchez correctement le câble de connexion.**  
Une mauvaise connexion peut endommager les composants électriques.
- **Utilisez les câbles spécifiés pour les raccordements électriques et raccordez fermement à la borne de sorte que cette dernière ne soit pas soumise à la force extérieure.**
- **Veillez à bien effectuer la mise à la terre.**  
Ne reliez pas ces appareils à des conduites de gaz, à des conduites d'eau, à des paratonnerres ou à des câbles téléphoniques. Une mise à la terre incomplète peut provoquer des chocs électriques graves, entraînant des blessures ou la mort.
- **Débarrassez-vous des emballages de manière sûre.**  
Les éléments d'emballage, tels que les clous et autres pièces métalliques ou en bois, peuvent provoquer des blessures par perforation ou autres. Déchirez les emballages en plastique et jetez-les pour éviter que les enfants ne jouent avec. Les enfants qui jouent avec des emballages en plastique s'exposent à un risque d'étouffement.
- **N'installez pas l'appareil à proximité de concentrations de gaz ou de vapeurs de gaz combustible.**
- **Veillez à utiliser les pièces d'installation fournies ou appropriées.**  
L'utilisation d'autres pièces peut entraîner la détérioration de l'appareil, des fuites d'eau, des chocs électriques, des incendies ou un dommage matériel.
- **Lorsque vous installez le système ou que vous le déplacez, veillez à ce que l'air ou des substances autres que le liquide réfrigérant spécifié (R410A/R32) ne pénètrent pas dans le cycle de réfrigération.**
- **Cet appareil n'est pas destiné au grand public. Il doit être entretenu par du personnel qualifié et installé à au moins 2,5 m du sol.**
- **Les travaux électriques doivent être effectués en conformité avec le manuel d'installation et les codes de câblage électrique locaux, régionaux et nationaux.**
- **Veillez à utiliser un circuit d'alimentation dédié. N'utilisez pas une prise de courant à laquelle un autre appareil est déjà branché.**



# 1. PRÉPARATION DE L'INSTALLATION

## AVERTISSEMENT

- Ne modifiez pas cet appareil en retirant une protection ou en contournant les dispositifs de verrouillage de sécurité.
- Pour éviter tout risque dû à la réinitialisation accidentelle du coupe-circuit thermique, cet appareil ne doit pas être alimenté par un dispositif de commutation externe, comme un temporisateur, ni connecté à un circuit qui est régulièrement activé et désactivé par le service fournisseur.
- Utilisez les câbles prescrits pour le raccordement électrique et protégez-les à l'aide d'une gaine d'isolation à une température appropriée.

Des câbles non conformes peuvent provoquer une fuite électrique, une production de chaleur anormale ou un incendie.

**REMARQUE :** Les informations suivantes sont requises pour les unités utilisant du fluide frigorigène R32/R290.

- L'appareil devra être entreposé dans une pièce exempte de sources potentielles d'ignition fonctionnant en permanence. (Par exemple : des flammes nues, un appareil fonctionnant au gaz ou un appareil de chauffage électrique en fonctionnement).

- Évitez que celui-ci soit percé ou incinéré.

- Soyez conscient(e) du fait que les réfrigérants peuvent être inodores.

- Le respect des réglementations nationales sur le gaz devra être pris en compte.

L'appareil devra être entreposé dans une pièce adéquatement ventilée correspondant à une surface de pièce adaptée à son fonctionnement.

- L'appareil devra être installé, utilisé et entreposé dans une pièce d'une superficie supérieure à  $X \text{ m}^2$ , et l'installation des tuyaux devra être maintenue à un minimum de  $X \text{ m}^2$  (Veuillez consulter le formulaire suivant).

L'appareil ne devra pas être installé dans un espace non aéré, si cet espace est inférieur à  $X \text{ m}^2$  (Veuillez consulter le formulaire suivant). Espaces dans lesquels les tuyaux du réfrigérant devront être conformes aux réglementations nationales sur le gaz.

Modèle (Btu/h)	Quantité de fluide frigorigène à charger (kg)	Hauteur d'installation maximale (m)	Surface minimale de la pièce (m <sup>2</sup> )
≤ 30000	≤ 2,048	1,8 m	4
		0,6 m	35
30000-48000	2,048-3,0	1,8 m	8
		0,6 m	80
> 48000	> 3,0	1,8 m	9
		0,6 m	80

### Remarque concernant les gaz fluorés

- Ce climatiseur contient des gaz fluorés. Pour des informations spécifiques sur le type de gaz et sa quantité, veuillez vous reporter à l'étiquette correspondante apposée sur l'appareil.
- L'installation, le service, l'entretien et la réparation de cet appareil devront être effectués par un technicien qualifié.
- La désinstallation et le recyclage de l'appareil devront être effectués par un technicien qualifié.
- Si l'appareil dispose d'un système de détection des fuites, l'absence de fuites doit être vérifiée au moins tous les 12 mois.
- Lors de la vérification des fuites, un relevé approprié de tous les contrôles est fortement recommandé.

## ATTENTION

Ce symbole indique un risque de dommages matériels ou de conséquences graves.

- Pour éviter de vous blesser, soyez prudent lorsque vous manipulez des pièces avec des arêtes vives.
- N'installez pas les unités intérieures ou extérieures dans des conditions environnementales spéciales.
- N'installez pas l'appareil dans un endroit susceptible d'amplifier son niveau sonore ou dans lequel le bruit ou l'évacuation de l'air peuvent représenter une nuisance pour votre voisinage.

# 1. PRÉPARATION DE L'INSTALLATION

- Effectuez les travaux de tuyauterie/d'évacuation en toute sécurité en suivant le manuel d'installation.



Une tuyauterie d'évacuation inadaptée peut entraîner des fuites d'eau et des dommages matériels.

- N'installez pas le climatiseur aux endroits suivants.

- Endroits où se trouvent de l'huile minérale ou de l'acide arsénique.
- Endroits où des gaz corrosifs (comme des gaz d'acide sulfureux) ou des gaz combustibles (comme du diluant) peuvent s'accumuler ou à un endroit où des substances combustibles volatiles sont manipulées.
- Endroits où se trouvent des équipements qui génèrent des champs électromagnétiques ou des harmoniques haute fréquence.

## 1.2 ACCESSOIRES

Les accessoires suivants sont fournis avec l'appareil. Le type et la quantité peuvent varier selon les spécifications.

Nom de l'accessoire	Qté (pcs)	Aspect	Utilisation
Manuel	3		<Manuel d'installation>, <Manuel de l'utilisateur>, <Manuel de la télécommande> (ou <Manuel du contrôleur câblé>)
Matériau d'isolation de tuyau	1		Isolation
Conduite d'évacuation	1		Raccordez le tuyau de vidange pour l'unité extérieure.
Joint	1		Scellez la conduite d'évacuation pour l'unité extérieure.
Collier de serrage	2		Respect des normes CEM (pour le cordon d'alimentation intérieur et les fils de raccordement extérieurs/intérieurs)
Tuyau flexible	1		Évacuation
Collier de serrage	1		Fixez le tuyau flexible à l'unité intérieure.

Les accessoires suivants sont associés à la télécommande.

Nom de l'accessoire	Qté (pcs)	Aspect	Utilisation
Télécommande	1		Commande à distance du climatiseur
Support de la télécommande	1		Fixation murale pour la télécommande
Vis taraudée	2		Fixation du support de la télécommande
Pile	2		Alimentation de la télécommande

Remarque : Les accessoires associés à la télécommande ne sont pas disponibles pour les modèles à contrôleur câblé. Pour les accessoires du contrôleur câblé, consultez le manuel correspondant fourni avec le contrôleur

Pièces emballées séparément

Nom de l'accessoire	Qté (pcs)	Aspect	Utilisation
Panneau	1		Commande à distance du climatiseur

## 2. INSTALLATION DE L'UNITÉ INTÉRIURE

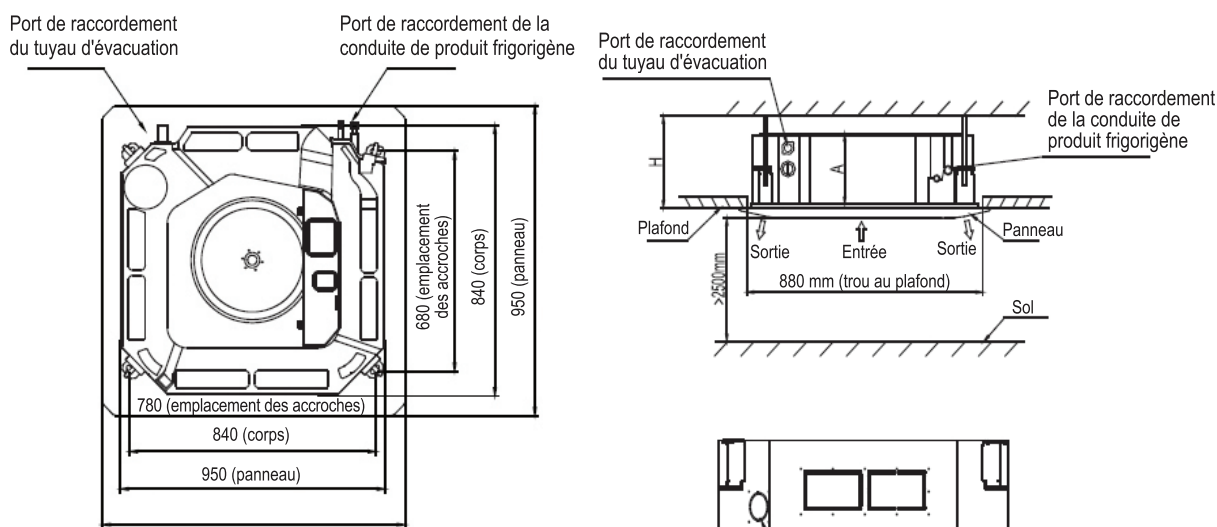
### 2.1 CHOIX DE L'EMPLACEMENT D'INSTALLATION

#### UNITÉ INTÉRIURE

- L'appareil doit être à l'abri de la lumière directe du soleil.
- Le flux d'air ne doit pas être bloqué.
- La distribution de l'air doit être optimale.
- Les condensats doivent pouvoir être évacués correctement et en toute sécurité.
- L'unité intérieure doit être installée sur un mur/plafond exempt de vibrations et assez résistant pour supporter le poids de l'appareil.
- Un espace libre suffisant doit être maintenu autour de l'unité intérieure pour la maintenance et l'entretien.
- Le filtre à air doit pouvoir être enlevé et nettoyé facilement.
- La tuyauterie entre l'unité intérieure et l'unité extérieure doit se situer dans les limites autorisées.
- L'unité intérieure doit se trouver à au moins 1 m de toute télévision ou radio pour éviter de brouiller l'écran et empêcher les nuisances sonores.
- L'unité intérieure doit se trouver le plus loin possible des éclairages fluorescents et incandescents pour garantir le bon fonctionnement de la télécommande.

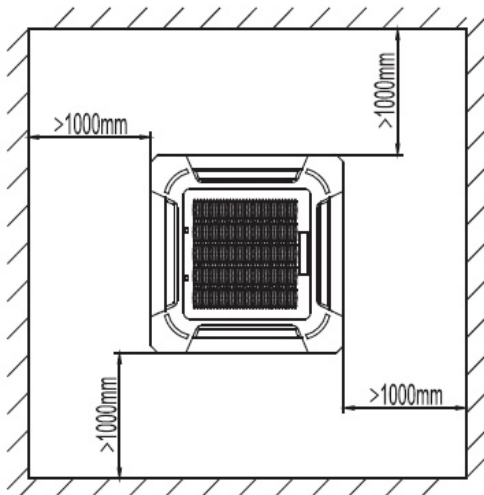
### ESPACE REQUIS POUR L'UNITÉ INTÉRIURE

#### Dimensions globales

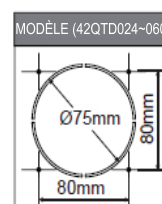


#### Espace libre par rapport au mur ou d'autres obstacles

Unité : mm



Model (42QTD)	Dimensions	
	A	H
024	205	>235
030/036	245	>275
042-060	287	>317



## 2. INSTALLATION DE L'UNITÉ INTÉRIEURE

### ! ATTENTION

- Il est recommandé d'installer le joint en Y avant l'unité intérieure
- Lorsque vous manipulez l'appareil en le sortant de son emballage et par la suite, assurez-vous que vous le soulevez en le prenant par ses accroches.
- N'exercez aucune pression sur les autres parties, en particulier sur les tuyaux de produit frigorigène et d'évacuation.

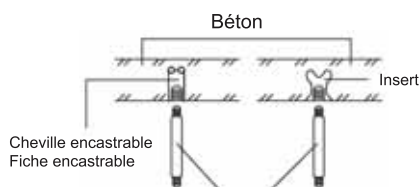
### 2.2 INSTALLATION DES BOULONS DE SUSPENSION

2.2.1 Faites des marques au plafond à l'endroit où vous voulez installer l'unité intérieure.

2.2.2 Percez des trous au niveau des marques, puis insérez les boulons d'ancrage. Utilisez des supports de plafond existants ou élaborés un support approprié.

#### REMARQUE

- Utilisez un insert enfoncé avec cheville encastrable pour les plafonds existants.



Boulons de suspension (3/8" ou M10) à installer sur place

2.2.3 Installez les boulons de suspension (utilisez 4 boulons de suspension de diamètre 3/8" ou M10) en fonction du type de plafond.

### ! ATTENTION

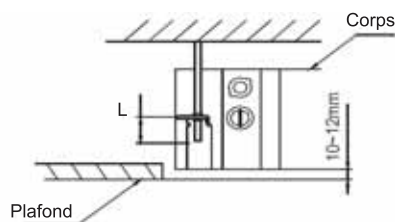
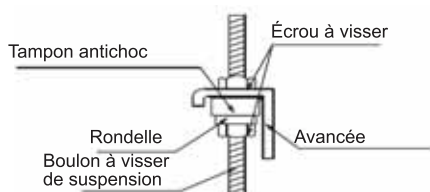
- Assurez-vous que le plafond est assez solide pour supporter le poids de l'appareil. Avant d'accrocher l'unité, testez la solidité de chaque boulon de suspension accroché. Il pourrait être nécessaire de renforcer la structure du plafond pour éviter les secousses. Consultez un architecte ou un charpentier pour obtenir plus d'informations

### 2.3 SUSPENSION DE L'UNITÉ INTÉRIEURE

2.3.1 Vissez des écrous doubles sur chaque boulon de suspension en laissant un espace pour accrocher l'unité intérieure.



2.3.2 Suspendez l'unité intérieure aux boulons de suspension entre deux écrous.

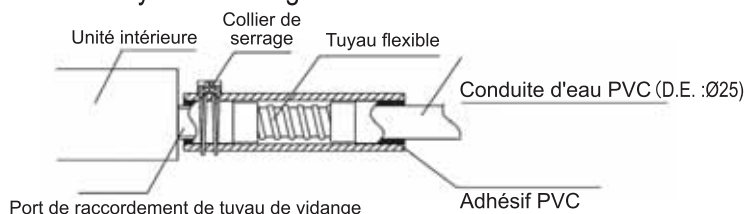


2.3.3 Vissez les écrous pour suspendre l'appareil. Vérifiez que le côté inférieur de l'unité intérieure se situe plus haut (10 à 12 mm) que la surface inférieure du plafond. L fait environ la moitié de la longueur de la vis de l'accroche d'installation.

## 2. INSTALLATION DE L'UNITÉ INTÉRIEURE

### 2.4 INSTALLATION DU TUYAU D'ÉVACUATION

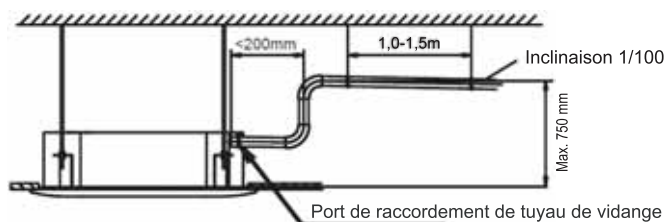
- Retirez le couvercle du port de raccordement de tuyau de vidange
- Insérez le tuyau flexible dans le port du tuyau de vidange. Fixez fermement le tuyau flexible à l'unité intérieure avec le collier de serrage.
- Installez solidement le tuyau flexible sur la conduite d'eau PVC (à installer sur place, D.E. :Ø25) avec de l'adhésif PVC. Entourez le tuyau de vidange de matériaux d'isolation.



#### 2.4.1 Raccordement du tuyau d'évacuation

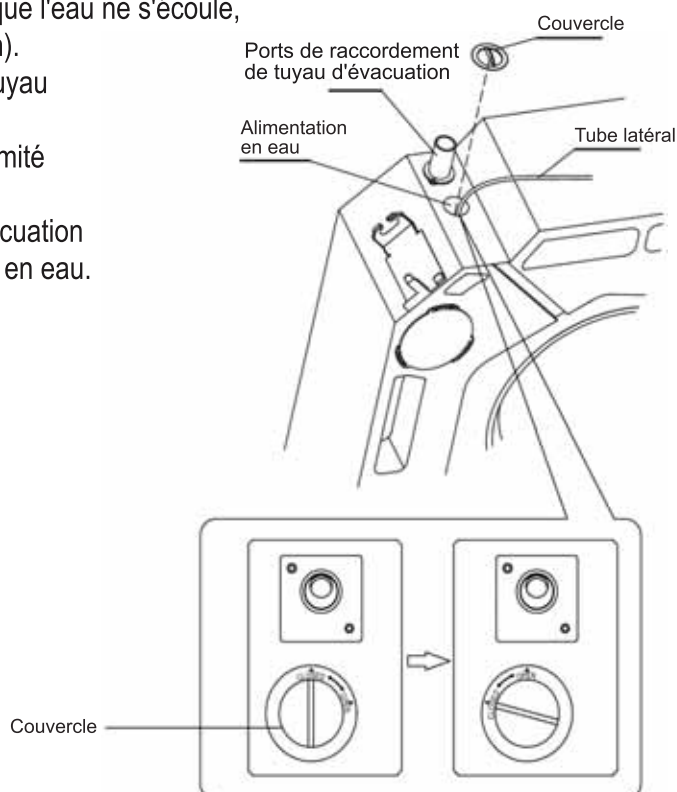
L'unité de type cassette est équipée d'une pompe de vidange

- Le tuyau de vidange doit être installé à moins de 200 mm du tuyau flexible. Installez ensuite le tuyau d'évacuation horizontal avec une inclinaison de 1/100 ou plus et fixez-le sur 1,0~1,5 m.
- Le tuyau flexible ne doit pas être orienté vers le haut, car cela peut provoquer un écoulement de l'eau vers l'unité intérieure.



#### 2.4.2 Test d'évacuation

- Ouvrez le couvercle de l'entrée d'alimentation en eau en le tournant et en tirant dessus.
- Versez progressivement environ 2 litres d'eau dans l'unité intérieure avec le tube latéral.
- Mettez en marche l'appareil en mode COOLING et testez l'évacuation de la pompe de vidange (il peut y avoir un décalage d'une minute avant que l'eau ne s'écoule, en fonction de la longueur du tuyau d'évacuation).
- Vérifiez que l'eau s'écoule correctement par le tuyau de vidange.
- Vérifiez que l'eau d'évacuation s'écoule à l'extrémité du tuyau d'évacuation.
- Assurez-vous de l'absence de fuite d'eau à l'évacuation
- Remettez le couvercle de l'entrée d'alimentation en eau.



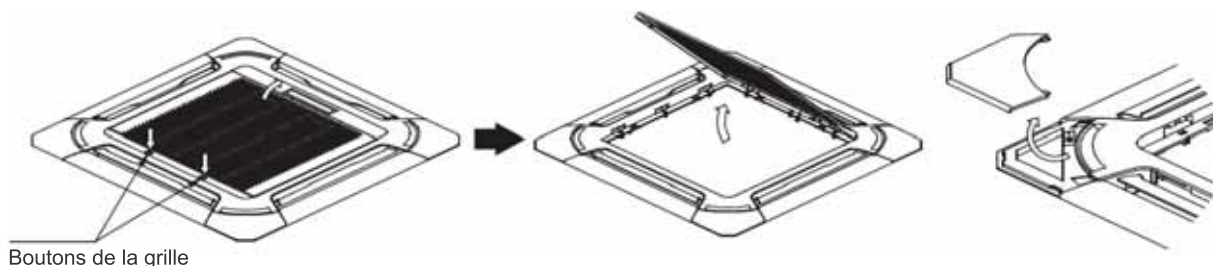
## 2. INSTALLATION DE L'UNITÉ INTÉRIEURE

### 2.5 INSTALLATION DU PANNEAU

#### **ATTENTION**

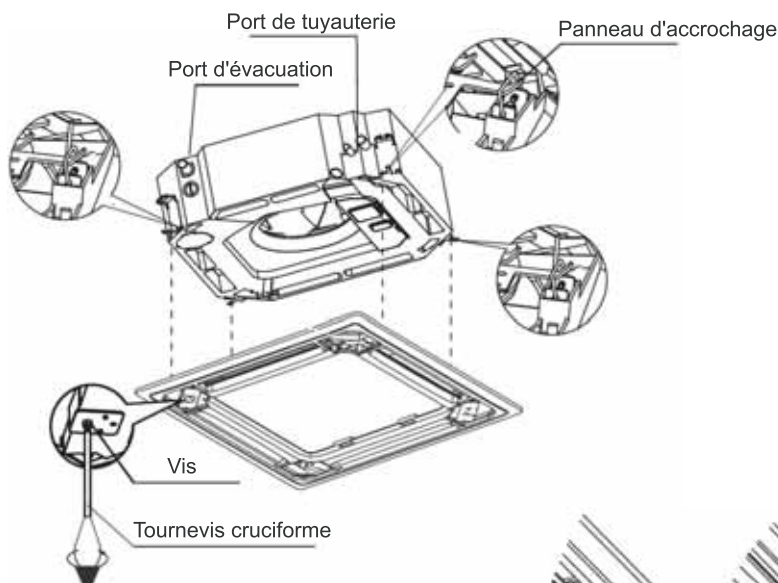
- Avant d'installer le panneau, veillez à retirer le tampon pour le transport situé entre le ventilateur et l'orifice.
- Installez le panneau comme indiqué ci-dessous, après avoir effectué les travaux de tuyauterie et de câblage.
- Joignez soigneusement les sections de raccordement du panneau, de la surface du plafond et de l'unité intérieure. Tout écart entre ces surfaces peut provoquer des fuites d'air et générer de la condensation ou des fuites d'eau.

2.5.1 Appuyez sur les deux boutons de la grille simultanément, puis soulevez la grille et retirez-la. Retirez les couvercles d'installation aux 4 coins.



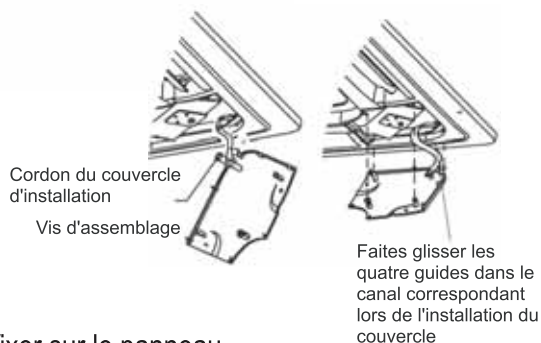
2.5.2 Installation du panneau

- Alignez l'angle marqué sur le côté tuyauterie et le côté évacuation avec l'interface de tuyauterie et l'interface d'évacuation du corps.
- Fixez le panneau aux accroches sur le corps.
- Serrez la vis de manière uniforme sous l'accroche du panneau jusqu'à ce que l'épaisseur du tampon entre le corps et le panneau soit réduite à environ 4 à 6 mm et que le bord du panneau soit en contact avec le plafond.
- Connectez le fil du moteur de rotation à la jointure correspondante sur le corps.



2.5.3 Installation de la grille d'entrée d'air

- Accrochez la grille d'entrée d'air sur le panneau au moyen de l'accroche située derrière la grille.
- Connectez le fil de l'affichage à la fiche correspondante sur le corps.
- Fermez la grille d'entrée d'air.
- Appuyez doucement sur le couvercle d'installation pour le fixer sur le panneau.

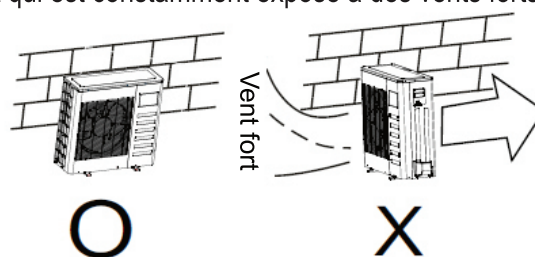


## 3. INSTALLATION DE L'UNITÉ EXTÉRIEURE

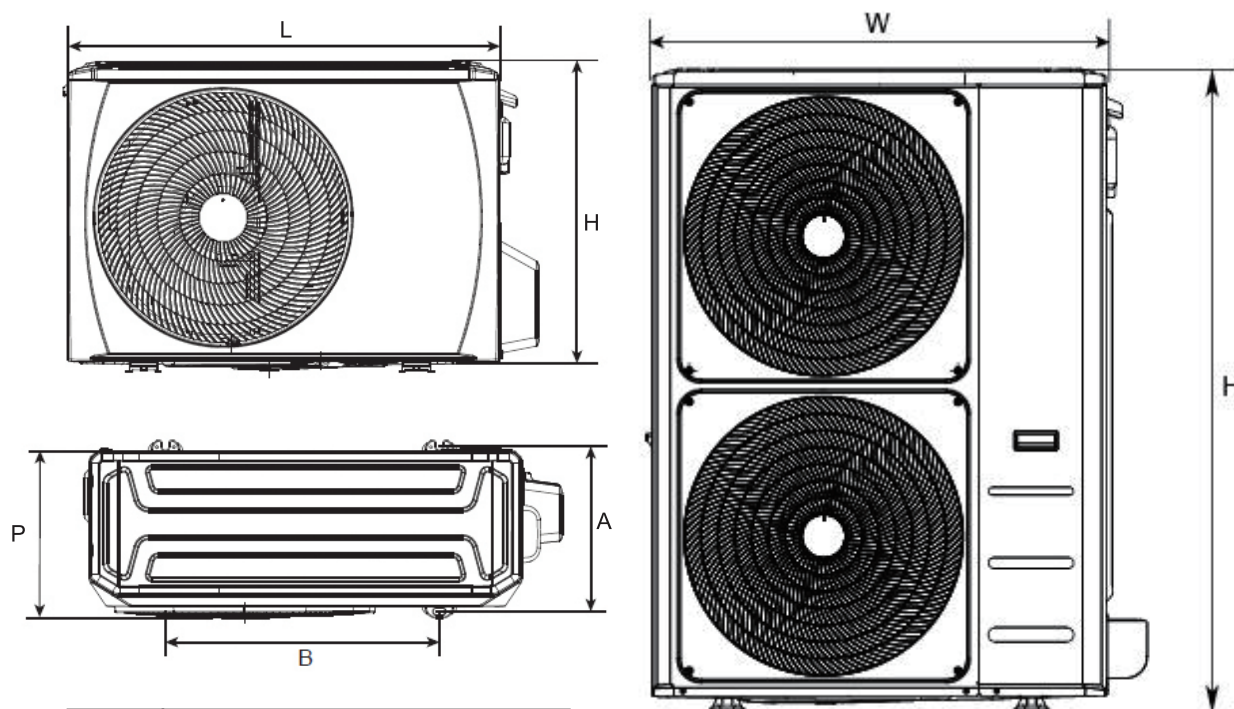
### 3.1 CHOIX DE L'EMPLACEMENT D'INSTALLATION

#### UNITÉ EXTÉRIEURE

- À l'abri de la pluie et de la lumière directe du soleil.
- Emplacement bien aéré et libre de tout obstacle qui puisse gêner l'entrée et la sortie d'air.
- Emplacement qui n'augmente pas les bruits de fonctionnement ou les vibrations de l'unité extérieure.
- Emplacement qui ne cause aucun problème d'évacuation de l'eau.
- Installation correcte de l'unité extérieure à un endroit qui puisse supporter son poids.
- Emplacement offrant suffisamment d'espace autour de l'appareil, comme indiqué
- La tuyauterie entre l'unité intérieure et l'unité extérieure doit se situer dans les limites autorisées.
- Dans les régions sujettes à des chutes de neige et à de basses températures, évitez d'installer l'unité extérieure dans un endroit où elle peut être recouverte de neige. Si des chutes de neige abondantes sont attendues, installez un support de protection contre la neige ou le verglas (installé sur place) et/ou un déflecteur de vent (installé sur place) pour éviter une accumulation de neige et/ou un blocage des entrées d'air de l'appareil.
- Lors de l'installation de l'unité extérieure dans un endroit qui est constamment exposé à des vents forts, il est recommandé d'utiliser un déflecteur de vent.



### 3.2 DIMENSIONS DE MONTAGE DE L'UNITÉ EXTÉRIEURE

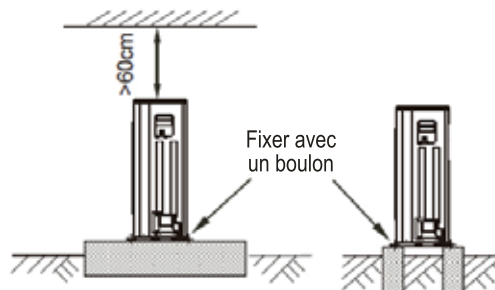
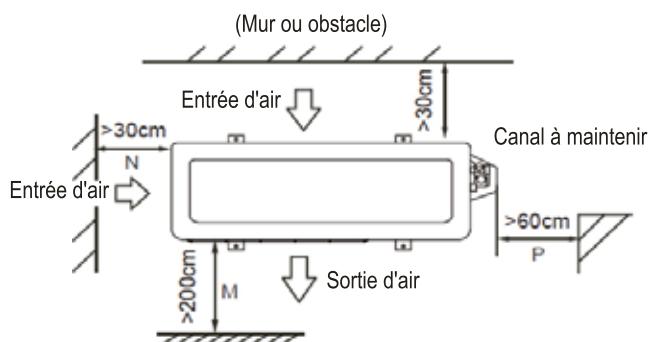


Model (38QUS)	Dimensions globales				
	W	H	D	A	B
024	845	702	363	350	540
030-042	945	810	420	403	673
048/060	952	1333	415	404	634

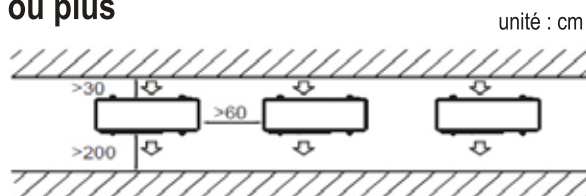
# 3. INSTALLATION DE L'UNITÉ EXTÉRIEURE

## 3.3 ESPACE REQUIS POUR L'UNITÉ EXTÉRIEURE

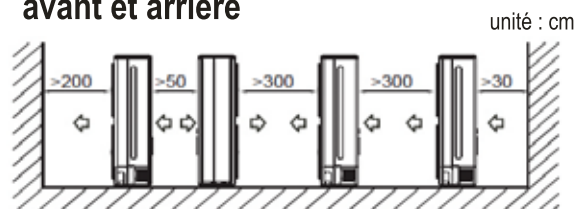
### Installation d'une seule unité



### Raccordement parallèle de deux unités ou plus

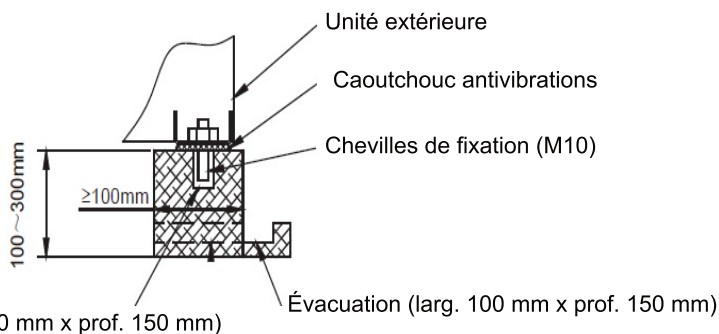


### Raccordement parallèle des côtés avant et arrière



## 3.4 INSTALLATION DE L'UNITÉ EXTÉRIEURE

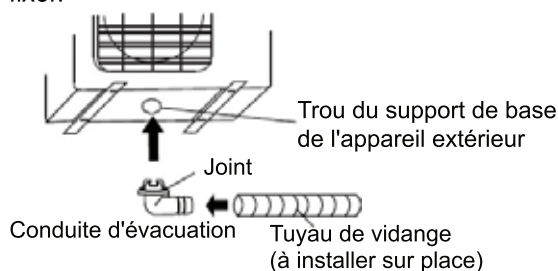
- Avant l'installation, vérifiez que la base est résistante et bien horizontale, de sorte qu'aucun son anormal ne soit généré.
- Fixez solidement la base avec des boulons d'ancrage (M10) pour l'empêcher de tomber.
- Installez les caoutchoucs d'appui et anti-vibration pour soutenir directement la surface inférieure de la fixation qui est en contact avec la plaque de fond de l'unité extérieure.



Trou du mortier (Ø100 mm x prof. 150 mm)

## 3.5 INSTALLATION DU TUYAU D'ÉVACUATION DE L'UNITÉ EXTÉRIEURE

- Raccordez la conduite d'évacuation à une rallonge de tuyau de vidange
- Placez le joint sur la conduite d'évacuation.
- Insérez la conduite d'évacuation dans le trou du support de base de l'unité extérieure et faites pivoter l'ensemble de 90 degrés pour le fixer.





## 4. TRAVAUX DE TUYAUTERIE POUR LE PRODUIT FRIGORIGÈNE

### ATTENTION

- Vérifiez si la différence de hauteur entre l'unité intérieure et l'unité extérieure et la longueur totale du tuyau de produit frigorigène répondent aux exigences du système.
- Les travaux de tuyauterie pour le produit frigorigène suivent l'installation des unités intérieure et extérieure. Raccordez le tuyau côté intérieur d'abord, puis côté extérieur.
- Gardez toujours les extrémités des tuyaux scellées en plaçant un bouchon ou en les obstruant avec du ruban adhésif durant l'installation et ne les libérez QUE lorsque vous êtes prêt à les raccorder.
- Veillez à isoler tout tuyau extérieur, tout le long jusqu'au raccordement à l'intérieur de l'appareil. Tout tuyau apparent peut provoquer de la condensation ou des brûlures en cas de contact.

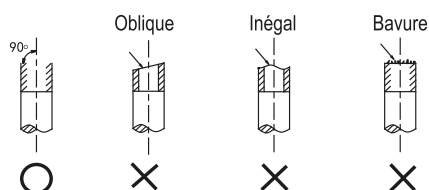
### 4.1 ÉVASEMENT

#### REMARQUE

■ Les outils nécessaires à l'évasement sont les suivants : un coupe-tuyau, un alésoir, un outil à évaser et un support de tuyau.

■ Pour les modèles de fluide frigorigère R32, les points de connexion des tuyaux doivent être placés à l'extérieur de la pièce.

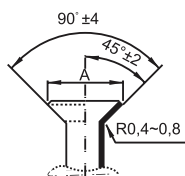
4.1.1 Utilisez un coupe-tuyau pour couper le tuyau à la longueur requise. Vérifiez que l'extrémité coupée conserve un angle de 90° avec le côté du tuyau.



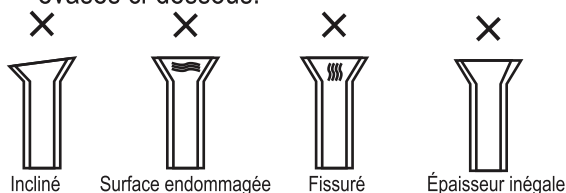
4.1.2 Utilisez un alésoir pour éliminer les bavures, avec la surface de coupe vers le bas afin que les particules ne pénètrent pas dans le tuyau.

4.1.3 Effectuez l'évasement en utilisant des outils à évaser comme indiqué ci-dessous.

Diamètre extérieur	A (mm)	
	Max.	Min.
Ø6,35 mm	8,7	8,3
Ø9,52 mm	12,4	12,0
Ø12,7 mm	15,8	15,4
Ø15,88 mm	19,0	18,6
Ø19,05 mm	23,3	22,9

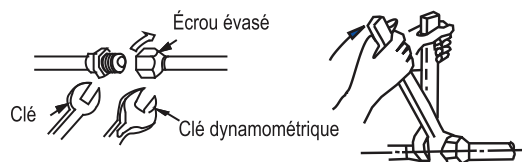


4.1.4 Vérifiez que l'évasement est effectué correctement. Vous trouverez des exemples de tuyaux mal évasés ci-dessous.



### 4.2 TRAVAUX DE TUYAUTERIE

4.2.1 Alignez le centre pour serrer l'écrou évasé et terminez l'installation à l'aide des deux clés.



Taille du tuyau	Couple
Ø6,35 mm	18 ~ 20 N.m
Ø9,52 mm	25 ~ 26 N.m
Ø12,7 mm	35 ~ 36 N.m
Ø15,88 mm	45 ~ 47 N.m
Ø19,05 mm	65 ~ 67 N.m

4.2.2 Choisissez le matériau isolant approprié pour le tuyau de produit frigorigère. (Min. 10 mm, isolation thermique en mousse C)

- Utilisez des tuyaux d'isolation thermique distincts pour les tuyaux de gaz et de liquide.
- L'épaisseur supérieure correspond à une norme de température intérieure de 27 °C et d'humidité de 80 %. Si l'installation s'effectue dans des conditions défavorables, par exemple dans un lieu proche d'une salle de bain, d'une cuisine et d'autres endroits similaires, renforcez l'isolation.
- La température de résistance à la chaleur de l'isolation doit être supérieure à 120 °C.
- Utilisez des adhésifs sur la partie de raccordement de l'isolation pour empêcher la pénétration d'humidité.
- Réparez et recouvrez toute fissure éventuelle dans l'isolation, vérifiez tout particulièrement la partie pliée ou la suspension

### ATTENTION

Si un brasage est nécessaire, travaillez avec un chalumeau à l'azote gazeux. Un couple incorrect peut entraîner des dommages au niveau de l'évasement ou des fuites de gaz.

# 4. TRAVAUX DE TUYAUTERIE POUR LE PRODUIT FRIGORIGÈNE

## 4.3 CONDUITE DE PRODUIT FRIGORIGÈNE

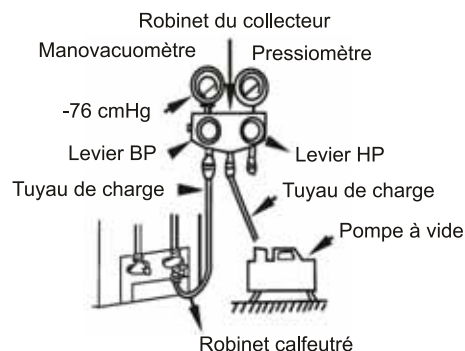
Modèle (38QUS)	Côté liquide	Côté gaz	Longueur de tuyau autorisée (m)	Hauteur max. différence (m)	Longueur sans charge (m)	Charge supplémentaire par mètre (R410A/R32)
024/030	Ø9,52 mm	Ø15,88 mm	50	25	5	30/24 g/m
036-060	Ø9,52 mm	Ø15,88 mm	65	30	5	30/24 g/m

REMARQUE : 1) Veuillez utiliser des outils pour les systèmes R410A/R32 respectivement;

2) Lorsque la longueur du tuyau est supérieure à 5 m, du produit frigorigène doit être ajouté en fonction de la longueur de la tuyauterie.

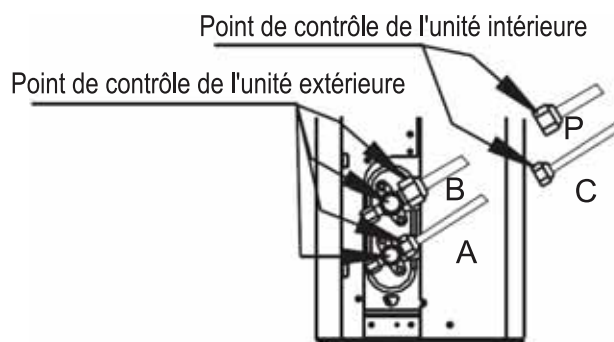
### 4.4 ÉVACUATION DE L'AIR

- Raccordez le tuyau de charge du manomètre du collecteur à l'orifice de sortie du robinet calfeutré côté gaz.
- Raccordez le tuyau de charge à l'orifice de la pompe à vide.
- Ouvrez complètement le levier BP du manomètre du collecteur.
- Actionnez la pompe à vide pour chasser l'air du système jusqu'à atteindre 76 cmHg.
- Fermez le levier BP du manomètre du collecteur.
- Ouvrez complètement la tige des robinets calfeutrés.
- Retirez le tuyau de charge de l'orifice de sortie.
- Serrez bien les bouchons du robinet calfeutré.



### 4.5 TEST D'ÉTANCHÉITÉ

Après les travaux de tuyauterie, vérifiez la partie de raccordement de chaque tuyau de produit frigorigène et confirmez l'absence de fuite de gaz en y versant de l'eau savonneuse ou en utilisant un détecteur de fuite propre aux produits frigorigènes HFC. Reportez-vous à l'illustration ci-dessous.



A : Robinet d'arrêt basse pression

B : Robinet d'arrêt haute pression

C et D : Écrous évasés de l'unité intérieure

## 5. CÂBLAGE

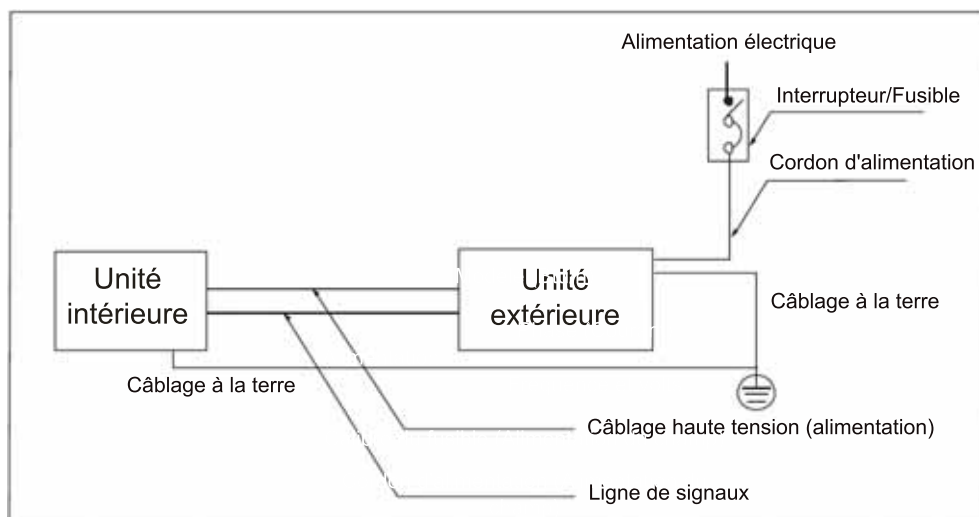
### ! ATTENTION

- Tous les raccordements électriques doivent être effectués par des installateurs qualifiés et tous les câbles doivent être connectés selon le schéma de câblage.
- Effectuez la mise à la terre avant tout autre branchement électrique.
- Toutes les sources d'alimentation doivent être éteintes avant le travail de câblage. Ne remettez l'alimentation en marche qu'une fois que vous avez effectué toutes les vérifications de sécurité des câbles.
- Vous devez installer un disjoncteur et un interrupteur principal ou un fusible. La capacité doit être supérieure à 1,5 fois celle du courant maximal du circuit.
- Vous devez disposer d'un circuit de dérivation individuel et d'une prise électrique dédiée à cet appareil.
- La section du conducteur est déterminée en fonction du code de câblage électrique local, régional et national. Consultez les codes de construction locaux et le code national de l'électricité pour connaître les exigences particulières.
- Si le cordon d'alimentation est endommagé, il doit être remplacé par le fabricant, son agent de service ou un technicien qualifié, afin d'éviter tout danger.
- L'appareil doit être connecté à l'alimentation principale au moyen d'un disjoncteur ou d'un interrupteur avec une séparation de contact d'au moins 3 mm sur tous les pôles. Il est conseillé d'installer un disjoncteur différentiel avec une intensité ne dépassant pas 30 mA.

Il existe deux types de raccordements. Consultez le schéma de câblage attentivement avant de brancher le câble.

### 5.1 ALIMENTATION À PARTIR DE L'EMPLACEMENT EXTÉRIEUR

- Schéma de câblage



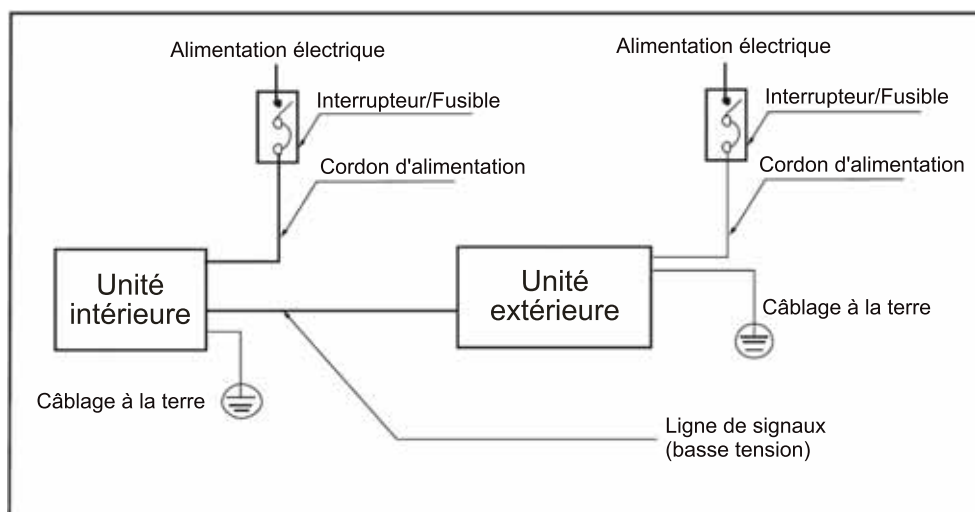
- Spécifications d'alimentation et de câbles de raccordement

Modèle (Btu/h)		24k(R410A)
Alimentation	Phase (Courant)	1-Phase
	Fréquence et volts	220-240V~ 50Hz
Courant nominal		16.0A
Calibre du fusible (Alimentation du champ)		25A
Cordon d'alimentation (Alimentation du champ)		H07RN-F; 3×2.5mm <sup>2</sup>
Câblage de raccordement intérieur/exr (Alimentation du champ)		H07RN-F; 4×2.5mm <sup>2</sup>

# 5. CÂBLAGE

## 5.2 ALIMENTATION AUTONOME

### ■ Schéma de câblage



### ■ Spécifications d'alimentation et de câbles de raccordement

Modèle (Btu/h)		24k(R32)	30k	36k/42k	48k
Intérieur	Phase (Courant)	1-Phase			
	Fréquence et volts	220-240V~ 50Hz			
	Courant nominal	2.0A	2.0A	2.0A	2.0A
	Calibre du fusible (Alimentation du champ)	10A	10A	10A	10A
	Cordon d'alimentation (Alimentation du champ)	H05VV-F; 3×1.0mm <sup>2</sup>	H05VV-F; 3×1.0mm <sup>2</sup>	H05VV-F; 3×1.0mm <sup>2</sup>	H05VV-F; 3×1.0mm <sup>2</sup>
Extérieur	Phase (Courant)	1-Phase	1-Phase	1-Phase	1-Phase
	Fréquence et volts	220-240V~ 50Hz	220-240V~ 50Hz	220-240V~ 50Hz	220-240V~ 50Hz
	Courant nominal	13.5A	19.0A	23.0A	26.5A
	Disjoncteur (Alimentation du champ)	25A	50A	50A	70A
	Cordon d'alimentation (Alimentation du champ)	H07RN-F; 3×2.5mm <sup>2</sup>	H07RN-F; 3×2.5mm <sup>2</sup>	H07RN-F; 3×4.0mm <sup>2</sup>	H07RN-F; 3×4.0mm <sup>2</sup>
Câblage de raccordement intérieur/extérieur (Alimentation du champ)		Shielded wire; 2×0.2mm <sup>2</sup>	Shielded wire; 2×0.2mm <sup>2</sup>	Shielded wire; 2×0.2mm <sup>2</sup>	Shielded wire; 2×0.2mm <sup>2</sup>

## 5. CÂBLAGE

### ■ Spécifications d'alimentation et de câbles de raccordement

Modèle (Btu/h)		36k(3N)	48k(3N)	60k(3N)
Intérieur	Phase (Courant)	1-Phase	1-Phase	1-Phase
	Fréquence et volts	220-240V~ 50Hz		
	Courant nominal	1.0A	1.0A	1.0A
	Calibre du fusible (Alimentation du champ)	10A	10A	10A
	Cordon d'alimentation (Alimentation du champ)	H05VV-F; 3×1.0mm <sup>2</sup>	H05VV-F; 3×1.0mm <sup>2</sup>	H05VV-F; 3×1.0mm <sup>2</sup>
Extérieur	Phase (Courant)	3-Phase	3-Phase	3-Phase
	Fréquence et volts	380-415V 3N~ 50Hz		
	Courant nominal	10.0A	13.0A	14.0A
	Disjoncteur (Alimentation du champ)	25A	32A	32A
	Cordon d'alimentation (Alimentation du champ)	H07RN-F; 5×2.5mm <sup>2</sup>	H07RN-F; 5×2.5mm <sup>2</sup>	H07RN-F; 5×2.5mm <sup>2</sup>
Câblage de raccordement intérieur/ extérieur (Alimentation du champ)		Shielded wire; 2×0.2mm <sup>2</sup>	Shielded wire; 2×0.2mm <sup>2</sup>	Shielded wire; 2×0.2mm <sup>2</sup>

### ATTENTION

- Séparez le câblage basse tension (câblage de transmission) et le câblage haute tension (câblage d'alimentation) d'au moins 0,5 m de sorte qu'ils ne passent pas par le même endroit. La proximité peut provoquer des interférences électriques, des dysfonctionnements et une rupture.

### REMARQUE CONCERNANT LES SPÉCIFICATIONS DES FUSIBLES :

(Applicables pour les unités utilisant du fluide frigorigène R32 seulement et pour les fusibles en céramique).

1. La spécification du fusible de l'unité extérieure est T20 A/250 VAC (pour une unité < 24000 Btu/h), T30 A/250 VAC (pour une unité >24000 Btu/h)
2. La spécification du fusible de l'unité intérieure est T5 A/250 VAC, T10 A/250 VAC.

# 6. VÉRIFICATION FINALE ET TEST DE FONCTIONNEMENT

---

## 6.1 LISTE DE VÉRIFICATION FINALE

Pour terminer l'installation, effectuez les vérifications suivantes avant le test de fonctionnement.

- Solidité de l'emplacement d'installation pour les deux unités, intérieure et extérieure. Non-obstruction de la sortie ou du retour d'air de l'unité.
- Étanchéité des raccords de tuyauterie de produit frigorigène et absence de fuite
- Raccordements électriques correctement effectués et mise à la terre de l'appareil
- Vérification de la longueur totale de la tuyauterie et enregistrement du volume de produit frigorigène ajouté
- Alimentation conforme à la tension nominale du climatiseur
- Isolation de la conduite
- Évacuation
- Retrait du tampon pour le transport situé entre le ventilateur et la boîte de commande. Réinstallez le panneau latéral et la grille.

## 6.2 FONCTIONNEMENT MANUEL

Le fonctionnement manuel peut être lancé en appuyant sur le bouton manuel correspondant de l'écran d'affichage.

Appuyez plusieurs fois sur le bouton manuel pour changer de mode comme suit :

- Une fois = mode AUTO [chauffage, refroidissement ou ventilation, 24 °C et vitesse du ventilateur Auto].
- Deux fois = mode COOLING [passe en mode AUTO au bout de 30 minutes (utilisé principalement à des fins de test)]
- Trois fois = OFF

## 6.3 TEST DE FONCTIONNEMENT

Réglez l'air conditionné sur le mode COOLING avec la télécommande (ou le bouton manuel) et vérifiez l'état de fonctionnement des unités intérieure et extérieure. En cas de dysfonctionnement, corrigez le problème conformément au chapitre relatif au dépannage dans le manuel d'entretien.

Unité intérieure

- Vérifiez que les boutons (comme ON/OFF, MODE, TEMPERATURE, FAN, SPEED, etc.) de la télécommande fonctionnent correctement.
- Vérifiez que le volet se déplace normalement.
- Vérifiez que la température ambiante est bien réglée.
- Vérifiez que les voyants lumineux sur l'écran d'affichage sont normaux.
- Vérifiez que le bouton manuel fonctionne bien.
- Vérifiez que l'évacuation s'effectue correctement.
- Vérifiez l'absence de vibration et de bruit anormal pendant le fonctionnement.
- Vérifiez que l'unité intérieure fonctionne bien en mode COOLING ou HEATING.

Unité extérieure

- Vérifiez l'absence de vibration et de bruit anormal pendant le fonctionnement.
- Vérifiez que le flux d'air, la condensation ou le bruit généré par le climatiseur ne dérange pas vos voisins.
- Vérifiez l'absence de fuite de produit frigorigène.

### ATTENTION

- Lors du redémarrage de l'appareil, un délai d'environ 3 minutes sera appliqué pour protection.

# 7. INFORMATIONS RELATIVES À L'ENTRETIEN

## 7.1 VÉRIFICATIONS DANS LA ZONE

Avant toute intervention sur des systèmes contenant des produits frigorigènes inflammables, des contrôles de sécurité sont nécessaires afin de s'assurer que le risque d'inflammation est réduit au minimum. En cas de réparation du système de climatisation, les précautions suivantes doivent être prises avant toute intervention.

## 7.2 PROCÉDURE DE TRAVAIL

Les travaux doivent être entrepris dans le cadre d'une procédure contrôlée visant à réduire le risque de présence d'un gaz ou de vapeur inflammable pendant ces travaux.

## 7.3 ZONE DE TRAVAIL GLOBALE

L'ensemble du personnel de maintenance et plus généralement les personnes qui travaillent dans la zone doivent être au courant de la nature du travail entrepris. Tout travail dans un espace confiné doit être proscrit. La zone qui entoure l'espace de travail doit être cloisonnée. Assurez-vous de la sûreté des conditions au sein de la zone grâce au contrôle des matières inflammables.

## 7.4 VÉRIFICATION DE LA PRÉSENCE DE PRODUIT FRIGORIGÈNE

La zone doit faire l'objet d'une vérification à l'aide d'un détecteur approprié de produit frigorigène avant et pendant les travaux, afin de s'assurer que le technicien est informé sur les atmosphères potentiellement inflammables. Assurez-vous que l'équipement de détection de fuites utilisé est adapté aux produits frigorigènes inflammables, c.-à-d. absence d'étincelle, étanchéité suffisante ou sécurité intrinsèque.

## 7.5 PRÉSENCE D'UN EXTINCTEUR

Si des travaux à température élevée doivent être réalisés sur l'équipement de climatisation ou sur une partie annexe quelconque, un extincteur approprié doit se trouver à portée de main. Placez un extincteur à poudre sèche ou un extincteur à CO<sub>2</sub> à côté de la zone concernée.

## 7.6 ABSENCE DE SOURCE D'INFLAMMATION

Aucune personne effectuant des travaux en relation à un système de climatisation qui impliquent la mise à nu de tuyauteries contenant ou ayant contenu un produit frigorigène inflammable ne doit utiliser de source d'inflammation d'une manière qui risque de déclencher un incendie ou une explosion. Il convient que toutes les sources possibles d'inflammation, notamment une cigarette allumée, soient tenues suffisamment à l'écart du site d'installation, de réparation, de retrait ou d'élimination, phases durant lesquelles un produit frigorigène inflammable peut être libéré dans l'espace environnant. Avant de commencer les travaux, la zone autour de l'équipement doit être inspectée pour s'assurer de l'absence de tout produit inflammable et de tout risque d'inflammation. Des signes "DÉFENSE DE FUMER" doivent être mis en place.

## 7.7 ZONE VENTILÉE

Assurez-vous que la zone est à l'air libre ou suffisamment ventilée avant d'ouvrir le système ou de réaliser des travaux à température élevée. Un certain niveau de ventilation doit être maintenu pendant toute la période où les travaux sont réalisés. Il convient que la ventilation permette de dissiper le produit frigorigène libéré en toute sécurité et de préférence de le relâcher à l'extérieur dans l'atmosphère.

## 7.8 VÉRIFICATIONS DE L'ÉQUIPEMENT DE CLIMATISATION

Lorsque des composants électriques sont remplacés, ils doivent être adaptés au but pour lequel ils sont mis en place et respecter les spécifications correctes. Les instructions de maintenance et d'entretien du fabricant doivent être respectées à tout moment. En cas de doute, consultez le service technique du fabricant pour requérir son assistance. Les vérifications suivantes doivent s'appliquer aux installations utilisant des produits frigorigènes inflammables :

## 7. INFORMATIONS RELATIVES À L'ENTRETIEN

- la taille de la charge est adaptée à la taille de la pièce dans laquelle les parties contenant le produit frigorigène sont installées ;
- les appareils de ventilation et les orifices fonctionnent correctement et ne sont pas obstrués ;
- si un circuit de frigorigène indirect est utilisé, la présence de produit frigorigène doit être vérifiée dans les circuits secondaires ; le marquage de l'équipement doit être visible et lisible ;
- le marquage et les signes illisibles doivent être corrigés ;
- les tuyaux ou les composants de climatisation sont installés dans un endroit où ils ne sont pas susceptibles d'être exposés à des substances susceptibles corroder les composants contenant le produit frigorigène, sauf si ces composants sont fabriqués dans des matériaux intrinsèquement résistants à la corrosion ou sont correctement protégés contre une telle corrosion.

### 7.9 VÉRIFICATION DES APPAREILS ÉLECTRIQUES

Les opérations de réparation et de maintenance sur des composants électriques doivent comporter des contrôles de sécurité initiaux et des procédures d'inspection des composants. En cas de défaillance susceptible de compromettre la sécurité, aucune alimentation électrique ne doit être connectée au circuit jusqu'à réparation satisfaisante de la défaillance. Si la défaillance ne peut être corrigée immédiatement, mais, s'il est nécessaire de poursuivre l'opération en cours, une solution temporaire adéquate doit être utilisée. Cela doit être signalé au propriétaire de l'équipement afin que toutes les parties soient informées.

#### **Les contrôles de sécurité initiaux doivent inclure :**

- la décharge des condensateurs : elle doit être réalisée en toute sécurité afin d'éviter toute étincelle éventuelle ;
- l'absence de composant électrique sous tension et de câblage exposé pendant le chargement, la récupération ou la purge du système ;
- la vérification de la continuité de la mise à la terre.

### 7.10 RÉPARATIONS DES COMPOSANTS SCÉLLÉS

- 10.1 Pendant la réparation des composants scellés, toutes les alimentations électriques doivent être déconnectées de l'équipement sur lequel a lieu l'intervention avant tout retrait des couvercles scellés, etc. S'il est absolument nécessaire de disposer d'une alimentation électrique branchée à l'équipement pendant l'entretien, un dispositif de détection de fuite opérationnel en permanence doit être placé au point le plus critique afin d'avertir d'une telle situation potentiellement dangereuse.
- 10.2 Une attention particulière doit être portée aux points suivants afin de s'assurer que les travaux sur les composants électriques n'altèrent pas le boîtier en nuisant au niveau correct de protection. Il s'agit notamment des dommages sur les câbles, du nombre excessif de connexions, de bornes ne respectant pas les spécifications d'origine, des dommages sur les joints, de l'implantation incorrecte des presse-étoupe, etc.
  - Assurez-vous que l'appareil est fixé solidement.
  - Assurez-vous que les joints ou que les matériaux d'étanchéité ne sont pas dégradés jusqu'à ne plus remplir leur fonction visant à éviter toute pénétration d'atmosphère inflammable. Les pièces de rechange doivent respecter les spécifications du fabricant.

REMARQUE : L'utilisation de joints de silicone risque de compromettre l'efficacité de certains types d'équipements de détection de fuites. Il n'est pas nécessaire qu'avant toute intervention sur des composants à sécurité intrinsèque, ceux-ci soient isolés.

### 7.11 RÉPARATION DES COMPOSANTS À SÉCURITÉ INTRINSÈQUE

N'appliquez aucune charge permanente inductive ou capacitive au circuit sans vous être assuré qu'elle n'excèdera pas la tension et le courant admissibles pour l'équipement utilisé. Les composants à sécurité intrinsèque sont les seuls sur lesquels une intervention est autorisée alors qu'ils sont sous tension, en présence d'une atmosphère inflammable. Les caractéristiques assignées de l'appareil de test doivent être respectées. Ne remplacez les composants que par des pièces spécifiées par le fabricant. Les autres pièces peuvent provoquer l'inflammation du produit frigorigène dans l'atmosphère en cas de fuite.



## 7. INFORMATIONS RELATIVES À L'ENTRETIEN

### 7.12 CÂBLAGE

Vérifiez que le câblage n'est pas soumis à l'usure, à la corrosion, à une pression excessive ou à des vibrations, qu'il n'est pas en contact avec des arêtes vives ou qu'il n'est pas soumis à tout autre effet environnemental nuisible. La vérification doit également tenir compte des effets du vieillissement ou des vibrations continues provenant de sources telles que des compresseurs ou des ventilateurs.

### 7.13 DÉTECTION DES PRODUITS FRIGORIGÈNES INFLAMMABLES

Des sources potentielles d'inflammation ne doivent en aucun cas être utilisées pour rechercher ou détecter des fuites de produits frigorigènes. Une lampe haloïde (ou tout autre détecteur utilisant une flamme nue) ne doit pas être utilisée.

### 7.14 MÉTHODES DE DÉTECTION DES FUITES

Les méthodes suivantes de détection des fuites sont considérées comme acceptables pour les systèmes contenant des produits frigorigènes inflammables.

Des détecteurs électroniques de fuites doivent être utilisés pour détecter les produits frigorigènes inflammables, mais leur sensibilité peut ne pas être adéquate ou peut nécessiter un nouvel étalonnage. (L'équipement de détection doit être étalonné dans une zone exempte de produits frigorigènes.) Assurez-vous que le détecteur ne constitue pas une source potentielle d'inflammation et qu'il est adapté au produit frigorigène. L'équipement de détection de fuites doit être réglé à la limite inférieure d'inflammabilité du produit frigorigène et doit être étalonné sur le produit frigorigène employé, avec confirmation du pourcentage approprié de gaz (25% au maximum). Les fluides de détection de fuites peuvent être utilisés avec la plupart des produits frigorigènes, mais l'utilisation de détergents chlorés doit être évitée, car le chlore peut réagir avec le produit frigorigène et corroder le tuyau de cuivre. En cas de suspicion de fuite, toute flamme nue doit être retirée ou éteinte. Si une fuite de produit frigorigène est détectée et nécessite un brasage, tout le produit frigorigène doit être récupéré dans le système ou doit être isolé (par des robinets d'arrêt) dans une partie du système éloignée de la fuite. Le système doit ensuite être rincé à l'azote libre d'oxygène (ALO) avant et pendant le processus de brasage.

### 7.15 RETRAIT ET ÉVACUATION

Lorsque vous ouvrez un circuit de frigorigène pour effectuer des réparations ou pour tout autre motif, des procédures conventionnelles doivent être respectées. Toutefois, il est important de respecter les meilleures pratiques, dans la mesure où l'inflammabilité doit être prise en considération. La procédure suivante doit être respectée :

- retrait du produit frigorigène ;
- purge du circuit par un gaz inerte ;
- évacuation ;
- nouvelle purge par un gaz inerte ;
- ouverture du circuit par coupage ou brasage.

La charge de frigorigène doit être récupérée dans les cylindres de récupération corrects. Le système doit être rincé à l'azote libre d'oxygène pour garantir la sécurité de l'unité. Il peut être nécessaire de répéter ce processus.

De l'air comprimé et de l'oxygène ne doivent pas être utilisés pour cette tâche.

Le rinçage doit être réalisé en rompant le vide dans le système avec de l'azote libre d'oxygène et en continuant le remplissage jusqu'à ce que la pression de fonctionnement soit atteinte, puis en le libérant jusqu'à la pression atmosphérique, et enfin en refaisant le vide. Ce processus doit être répété jusqu'à disparition complète du produit frigorigène dans le système.

Lorsque la charge d'azote libre d'oxygène finale est utilisée, le système doit être ventilé jusqu'à la pression atmosphérique afin de pouvoir entreprendre les travaux. Cette opération est absolument vitale si des opérations de brasage doivent intervenir sur la tuyauterie. Assurez-vous que l'orifice de la pompe à vide ne se trouve pas à proximité d'une source d'inflammation et qu'une ventilation est disponible.

# 7. INFORMATIONS RELATIVES À L'ENTRETIEN

## 7.16 PROCÉDURES DE CHARGEMENT

Outre les procédures conventionnelles de chargement, les exigences suivantes doivent être respectées :

- Assurez-vous que les différents produits frigorigènes ne sont exposés à aucune contamination lorsque vous utilisez un équipement de chargement. Les flexibles ou les conduites doivent être les plus courts possible, afin de réduire la quantité de produit frigorigène qu'ils contiennent.
- Les cylindres doivent être maintenus en position verticale.
- Assurez-vous que le système de climatisation est mis à la terre avant de le charger avec du produit frigorigène.
- Étiquetez le système lorsque le chargement est terminé (si ce n'est pas déjà fait).
- Des précautions extrêmes doivent être prises pour ne pas remplir le système de climatisation de façon excessive.
- Avant de recharger le système, sa pression doit être testée à l'azote libre d'oxygène. Le système doit être soumis à un test de fuites, après la fin du chargement, mais avant sa mise en service.  
Un test de suivi des fuites

## 7.17 DÉMANTÈLEMENT

Avant d'entreprendre cette procédure, il est essentiel que le technicien ait une connaissance parfaite de l'équipement et de tous ses détails. Les bonnes pratiques recommandent que les produits frigorigènes soient récupérés en totalité et de façon sécurisée. Avant d'effectuer cette tâche, un échantillon d'huile et de produit frigorigène doit être prélevé.

Dans le cas où une analyse est requise avant la réutilisation du produit frigorigène récupéré. Il est essentiel qu'une alimentation électrique soit disponible avant d'entreprendre cette tâche.

- a) Ayez une bonne connaissance de l'équipement et de son bon fonctionnement.
- b) Isolez le système électriquement
- c) Avant de démarrer la procédure, assurez-vous que :
  - un équipement de manutention mécanique est disponible, le cas échéant, pour manipuler les cylindres de produits frigorigènes ;
  - tous les équipements de protection individuelle sont disponibles et sont utilisés correctement ;
  - le processus de récupération est supervisé à tout moment par une personne compétente ;
  - l'équipement de récupération et les cylindres sont conformes aux normes appropriées.
- d) Pompez le système de climatisation pour faire le vide, si possible.
- e) Si le vide n'est pas possible, réalisez un collecteur de sorte que le produit frigorigène puisse être retiré des différentes parties du système.
- f) Assurez-vous que le cylindre est situé sur les échelles avant le commencement de la récupération.
- g) Démarrez la machine de récupération et utilisez-la en respectant les instructions du fabricant.
- h) Ne remplissez pas les cylindres de façon excessive. (Pas plus de 80% de charge liquide en volume.)
- i) Ne dépassez pas la pression de fonctionnement maximale du cylindre, même de façon temporaire.
- j) Une fois les cylindres correctement remplis et le processus terminé, assurez-vous que les cylindres et que l'équipement sont rapidement retirés du site et que tous les robinets d'isolement de l'équipement sont fermés.
- k) Le produit frigorigène récupéré ne doit pas être chargé dans un autre système de climatisation sans avoir été nettoyé et contrôlé.

## 7.18 ÉTIQUETAGE

L'équipement doit être étiqueté pour indiquer qu'il a été démantelé et vidé de tout produit frigorigène. Cette étiquette doit être datée et signée. Assurez-vous que des étiquettes sont placées sur l'équipement pour indiquer qu'il contient un produit frigorigène inflammable.

# 7. INFORMATIONS RELATIVES À L'ENTRETIEN

## 7.19 RÉCUPÉRATION

- Lorsque vous retirez le produit frigorigène d'un système, que ce soit pour des opérations d'entretien ou pour son démantèlement, la bonne pratique recommandée est que les produits frigorigènes soient récupérés en totalité et de façon sécurisée.
- Lorsque vous transférez des produits frigorigènes dans des cylindres, assurez-vous de n'employer que des cylindres de récupération de produits frigorigènes appropriés. Assurez-vous de disposer d'un nombre correct de cylindres, capables de contenir l'ensemble de la charge du système. Tous les cylindres devant être utilisés sont conçus pour le produit frigorigène récupéré et sont étiquetés pour indiquer ce dernier (c.-à-d. cylindres spéciaux pour la récupération du produit frigorigène). Les cylindres doivent être dotés d'une soupape de sûreté et des robinets d'arrêt associés doivent être en bon état de marche.
- Les cylindres de récupération vides sont évacués et, si possible, refroidis avant la récupération.
- L'équipement de récupération doit être en bon état de marche. Il doit être accompagné d'un ensemble d'instructions concernant l'équipement et être adapté à la récupération de produits frigorigènes inflammables. Une balance étalonnée doit en outre être disponible et en bon état de marche.
- Les flexibles doivent être dotés de raccords à désaccouplement exempts de fuites et en bon état. Avant d'utiliser la machine de récupération, vérifiez qu'elle est en bon état de marche, qu'elle a été entretenue correctement et que les éventuels composants électriques associés sont scellés afin d'éviter toute inflammation en cas de libération du produit frigorigène. Consultez le fabricant en cas de doute.
- Le produit frigorigène récupéré doit être retourné à son fournisseur dans le cylindre de récupération approprié, accompagné du bordereau de transfert des déchets correspondant. Ne mélangez pas les produits frigorigènes dans des unités de récupération, en particulier pas dans des cylindres.
- Si des compresseurs ou des huiles pour compresseur doivent être retirés, assurez-vous que leur évacuation s'est effectuée à un niveau acceptable pour être certain que le lubrifiant ne contient aucune trace de produit frigorigène inflammable. Le processus d'évacuation doit s'effectuer avant de retourner le compresseur au fournisseur. Seul un chauffage électrique sur le corps du compresseur doit être utilisé pour accélérer ce processus. Lorsque de l'huile est vidangée d'un système, cette opération doit s'effectuer avec des précautions.

## 7.20 TRANSPORT, MARQUAGE ET STOCKAGE DES UNITÉS

1. Transport d'un équipement contenant des produits frigorigènes inflammables  
Conformité aux réglementations relatives au transport
2. Marquage de l'équipement à l'aide de signes  
Conformité aux réglementations locales
3. Élimination d'un équipement utilisant des produits frigorigènes inflammables  
Conformité aux réglementations nationales
4. Stockage des équipements/appareils  
Il convient que le stockage des équipements respecte les instructions du fabricant.
5. Stockage d'un équipement emballé (non vendu)  
Il convient que l'emballage de protection en vue du stockage soit conçu de sorte que tout dommage mécanique subi par l'équipement à l'intérieur de cet emballage ne provoque pas de fuite de la charge de frigorigène.  
  
Le nombre maximal d'éléments d'équipement pouvant être stockés ensemble sera déterminé par les réglementations locales.

È stato stabilito che questo prodotto è conforme alla Direttiva sulla bassa tensione (2014/35/CE) e alla Direttiva sulla compatibilità elettromagnetica (2014/30/CE) dell'Unione Europea.



## Smaltimento corretto del prodotto (attrezzatura di scarto elettrica ed elettronica)

**(Quando si utilizza il climatizzatore nei Paesi europei, è necessario rispettare la seguente guida)**

- Questo marchio riportato sul prodotto o sulla sua documentazione indica che i rifiuti di apparecchiature elettriche ed elettroniche (RAEE come nella direttiva 2012/19/CE) non devono essere mescolati con i rifiuti domestici generici.

È vietato smaltire questa attrezzatura tra i rifiuti domestici.

Per lo smaltimento, ci sono diverse possibilità:

1. L'amministrazione comunale ha stabilito sistemi di raccolta dove i rifiuti elettronici possono essere eliminati senza alcun costo a carico dell'utente.
2. Quando viene acquistato un nuovo prodotto, il rivenditore riprenderà il vecchio prodotto senza costi aggiuntivi.
3. Il produttore riprenderà la vecchia attrezzatura da smaltire senza alcun costo a carico dell'utente.
4. Poiché i vecchi prodotti contengono risorse preziose, possono essere venduti a rivenditori di metallo di scarto.

Lo smaltimento illegale dei rifiuti nei boschi e nei luoghi naturali mette a rischio la salute quando le sostanze pericolose finiscono nelle falde acquifere e, di conseguenza, nella catena alimentare.

### Questo prodotto contiene gas fluorinati che rispettano il Protocollo di Kyoto

Nome chimico del gas	R410A / R32
Potenziale di riscaldamento globale (GWP) del gas	2088 / 675

#### ⚠ ATTENZIONE

1. Applicare l'etichetta del refrigerante allegata vicino al punto di ricarica e/o recupero.
2. Scrivere chiaramente la quantità di refrigerante ricaricato sull'etichetta del refrigerante mediante inchiostro indelebile.
3. Evitare l'emissione del gas fluorinato contenuto. Assicurarsi che il gas fluorinato non venga mai emesso nell'atmosfera durante l'installazione, la manutenzione o lo smaltimento. Quando viene rilevata l'eventuale perdita del gas fluorinato contenuto, la perdita verrà arrestata e riparata non appena possibile.
4. Solo il personale di manutenzione qualificato ha il permesso di accedere ed effettuare la manutenzione di questo prodotto.
5. L'eventuale gestione del gas fluorinato in questo prodotto, ad esempio quando si sposta il prodotto o si ricarica il gas, deve rispettare la normativa CE N. 517/2014 su particolari gas serra fluorinati e l'eventuale legislazione locale.
6. Per eventuali domande contattare i rivenditori, gli installatori, ecc.

Unità interna	Unità esterna	Tensione nominale e Hz
42QTD024DS*	38QUS024DS*	220-240V~ 50Hz
42QTD024R8S*	38QUS024R8S*	
42QTD030DS*	38QUS030DS*	
42QTD030R8S*	38QUS030R8S*	
42QTD036R8S*	38QUS036DS*/38QUS036R8S*	
42QTD042R8S*	38QUS042DS*/38QUS042R8S*	
42QTD048R8S*	38QUS048DS*	IDU:220-240V~ 50Hz ODU:380-415V 3N~ 50Hz
42QTD036R8S*	38QUS036DT*/38QUS036R8T*	
42QTD048R8S*	38QUS048DT*/38QUS048R8T*	
42QTD060R8S*	38QUS060DT*/38QUS060R8T*	

Il fabbricante si riserva il diritto di modificare le specifiche del prodotto senza preavviso.

# INDICE

<b>1. PREPARAZIONE ALL'INSTALLAZIONE.....</b>	<b>3</b>
1.1 Precauzioni di sicurezza .....	3
1.2 Accessori .....	5
<b>2. INSTALLAZIONE DELL'UNITÀ INTERNA .....</b>	<b>6</b>
2.1 Scelta della posizione di installazione .....	6
2.2. Installazione dei bulloni di sospensione .....	7
2.3 Fissaggio dell'unità interna .....	7
2.4. Installazione del tubo di scarico .....	8
2.5 Installazione del pannello .....	9
<b>3. INSTALLAZIONE DELL'UNITÀ ESTERNA .....</b>	<b>10</b>
3.1 Scelta della posizione di installazione .....	10
3.2 Dimensioni di fissaggio dell'unità esterna .....	10
3.3 Spazio necessario per l'unità esterna .....	11
3.4 Installazione dell'unità esterna .....	11
3.5 Installazione del tubo di scarico per l'unità esterna .....	11
<b>4. INTERVENTO SUL TUBO DEL REFRIGERANTE .....</b>	<b>12</b>
4.1 Svasatura .....	12
4.2 Intervento sul tubo .....	12
4.3 Tubo del refrigerante .....	13
4.4 Evacuazione dell'aria .....	13
4.5 Verifica delle perdite .....	13
<b>5. CABLAGGIO .....</b>	<b>14</b>
5.1 Alimentazione dall'esterno .....	14
5.2 Alimentazione indipendente .....	15
<b>6. CONTROLLO FINALE E FUNZIONAMENTO DI PROVA .....</b>	<b>17</b>
6.1 Elenco dei controlli finali .....	17
6.2 Funzionamento manuale .....	17
6.3 Funzionamento manuale .....	17
<b>7. INFORMAZIONI SULLA MANUTENZIONE .....</b>	<b>18</b>



Attenzione: rischio di incendio solo per refrigeranti R32/R290

# 1. PREPARAZIONE ALL'INSTALLAZIONE

## 1.1 PRECAUZIONI DI SICUREZZA

- L'installazione, l'avviamento e la manutenzione dell'impianto di aria condizionata possono essere pericolosi a causa delle pressioni al sistema, dei componenti elettrici e dell'ubicazione dell'attrezzatura (tetti, strutture elevate, ecc.).
- Questa attrezzatura può essere installata, avviata e sottoposta a manutenzione solo da installatori e addetti alla manutenzione qualificati. Quando si opera sull'attrezzatura, osservare le precauzioni indicate nella documentazione e sulle etichette, sugli adesivi e sulle targhette applicati sull'attrezzatura.
- Rispettare tutte le precauzioni di sicurezza. Indossare occhiali di sicurezza e guanti da lavoro. Tenere vicino a sé un panno ignifugo e un estintore quando si effettua la saldatura con brasatura. Maneggiare, allestire e posizionare l'attrezzatura ingombrante con cautela.
- Leggere attentamente queste istruzioni e seguire tutte le avvertenze o le precauzioni comprese nella documentazione e applicate sull'unità. Consultare i codici di costruzione locali e il codice elettrico nazionale per i requisiti speciali.

### AVVERTENZA

Questo simbolo indica la possibilità di lesioni personali o di morte.

- **Il gas refrigerante è più pesante dell'aria e sostituisce l'ossigeno. Una perdita considerevole potrebbe portare all'esaurimento dell'ossigeno, in particolare nelle cantine, e potrebbe verificarsi un rischio di asfissia con possibili lesioni gravi o conseguenze mortali.**
- **Quando il climatizzatore viene installato in una stanza piccola, adottare le misure necessarie per assicurarsi che l'entità delle perdite di refrigerante nella stanza non superi il limite massimo.**
- **Se si verificano perdite di gas refrigerante durante l'installazione, ventilare immediatamente l'area.** Il gas refrigerante potrebbe produrre un gas tossico se entra in contatto con il fuoco proveniente ad esempio da un termoventilatore, da una stufa o da una cucina. L'esposizione a questo gas potrebbe causare gravi lesioni o la morte.
- **Scollegare l'alimentazione prima di tentare di effettuare qualsiasi intervento elettrico. Collegare correttamente il cavo.** Un collegamento errato potrebbe provocare danni ai componenti elettrici.
- **Utilizzare i cavi specifici per i collegamenti elettrici e fissare saldamente i fili alle sezioni di collegamento dei terminali, in modo che non venga esercitata alcuna forza esterna sul terminale.**
- **Assicurarsi di predisporre una messa a terra.** Non collegare a terra le unità con i tubi del gas, i tubi dell'acqua, i parafulmini o i fili del telefono. Una messa a terra incompleta potrebbe provocare un alto rischio di scosse elettriche e gravi lesioni o addirittura la morte.
- **Smaltire in sicurezza i materiali di imballaggio.** I materiali di imballaggio, quali chiodi e altri componenti in metallo o legno, possono provocare tagli o altre ferite. Strappare e gettare le borse di imballaggio in plastica affinché i bambini non giochino con esse. I bambini che giocano con le borse di plastica rischiano il soffocamento.
- **Non installare l'unità nelle vicinanze di aree di concentrazione di gas combustibile o vapori di gas.**
- **Assicurarsi di usare i componenti di installazione forniti o gli esatti componenti di installazione specificati.** L'uso di altri componenti potrebbe causare l'allentamento dell'unità, perdite di acqua, scosse elettriche, incendi o danni all'attrezzatura.
- **Quando si installa o si riposiziona l'impianto, non permettere all'aria o ad altre sostanze diverse dal refrigerante specificato (R410A/R32) di entrare nel ciclo di refrigerazione.**
- **La manutenzione di questa applicazione non deve essere effettuata dagli utenti, bensì dal personale qualificato e deve essere posizionata ad un'altezza di almeno 2,5m dal pavimento.**
- **Gli interventi sull'impianto elettrico devono essere effettuati secondo il manuale di installazione e i codici del cablaggio nazionali, statali e locali.**
- **Utilizzare un circuito elettrico specifico. Non condividere mai la stessa presa elettrica con altre attrezzature.**

# 1. PREPARAZIONE ALL'INSTALLAZIONE

## AVVERTENZA

- Non modificare mai questa unità rimuovendo una delle protezioni di sicurezza o bypassando uno degli interruttori di interblocco di sicurezza.
- Per evitare il rischio dovuto alla reimpostazione involontaria dell'interruttore termico, questa attrezzatura non deve essere alimentata attraverso un dispositivo di commutazione esterno, come un timer, oppure collegata a un circuito che viene regolarmente acceso e spento mediante il dispositivo.
- Utilizzare i cavi prescritti per il collegamento elettrico con un isolamento protetto da una guaina di isolamento dotata dei valori di temperatura appropriati.  
L'utilizzo di cavi non conformi potrebbe provocare dispersioni di corrente, generazioni anomale di calore o incendi.

**NOTA:** le clausole che seguono sono richieste per le unità che adottano i refrigeranti R32/R290.

- L'apparecchio deve essere conservato in una stanza priva di fonti d'ignizione che siano continuamente in funzione (ad esempio: fiamme libere e apparecchi con funzionamento a gas o riscaldatori elettrici).
- Non perforare o bruciare.
- Tenere presente che i refrigeranti potrebbero risultare inodori.
- Rispettare le disposizioni nazionali sul gas vigenti.  
L'apparecchio deve essere conservato in un'area ben ventilata le cui dimensioni corrispondano all'area della stanza specificata per il funzionamento.
- L'apparecchio deve essere installato, utilizzato e conservato in una stanza con una superficie maggiore di X m<sup>2</sup>, mentre l'area delle tubazioni deve ricoprire un minimo di X m<sup>2</sup> (vedere il seguente modulo).  
L'apparecchio non deve essere installato in un'area non ventilata che sia più piccola di X m<sup>2</sup> (vedere il seguente modulo). Aree in cui i tubi per il refrigerante devono essere conformi alle normative nazionali in materia di gas.

Modello (Btu/h)	Quantità di refrigerante da caricare (kg)	Max. altezza d'installazione	Min. area della stanza (m <sup>2</sup> )
≤ 30.000	≤ 2,048	1,8 m	4
		0,6 m	35
30.000-48.000	2,048-3,0	1,8 m	8
		0,6 m	80
> 48.000	> 3,0	1,8 m	9
		0,6 m	80

### Nota sui gas fluorurati

- Questa unità di climatizzazione dell'aria contiene gas fluorurati. Per informazioni specifiche su tipologia e quantitativo dei suddetti gas, fare riferimento alla relativa etichetta sull'unità.
- Le operazioni di installazione, assistenza, manutenzione e riparazione su questa unità devono essere eseguite da un tecnico certificato.
- Le operazioni di disinstallazione e riciclaggio del prodotto devono essere eseguite da un tecnico certificato.
- Qualora l'unità disponga di un sistema di rilevamento di fuoriuscite, è necessario che venga controllato almeno ogni 12 mesi per confutare la presenza di perdite.
- Quando si procede con il controllo dell'unità per verificare la presenza di eventuali perdite, si consiglia vivamente di registrare i dati relativi a tutti i controlli effettuati.

## ATTENZIONE

Questo simbolo indica la possibilità di danni alle cose o di gravi conseguenze.

- Per evitare lesioni personali, prestare attenzione quando si maneggiano componenti con bordi affilati.
- Non installare le unità interne o esterne in punti con condizioni ambientali particolari.
- Non installare in un luogo che possa amplificare il livello di rumorosità dell'unità o in cui il rumore e l'aria emessi possano disturbare i vicini.

# 1. PREPARAZIONE ALL'INSTALLAZIONE

- Effettuare correttamente gli interventi di drenaggio/collegamento dei tubi seguendo le istruzioni del manuale di installazione.



Un drenaggio o un collegamento dei tubi non corretto potrebbe provocare perdite di acqua e danni agli oggetti.

- Non installare il climatizzatore nei seguenti ambienti.
  - Ambienti in cui sono presenti oli minerali o acido arsenico.
  - Ambienti in cui possono accumularsi i gas corrosivi (quali i gas dell'acido solforico) o combustibili (quali i diluenti), oppure in cui vengono conservate sostanze volatili combustibili.
  - Ambienti in cui sono presenti attrezzature che potrebbero generare campi elettromagnetici o emissioni sonore ad alta frequenza.

## 1.2 ACCESSORI

I seguenti accessori vengono forniti in dotazione con l'unità. La tipologia e la quantità potrebbero variare in base alle specifiche.

Nome degli accessori	Q.tà (pezzi)	Forma	Utilizzo
Manuale	3		<Manuale di installazione>, <Manuale utente>, <Manuale del telecomando> (oppure <Manuale del termostato>)
Materiale di isolamento delle tubazioni	1		Isolamento
Uscita di scarico	1		Collegamento del tubo di scarico per l'unità esterna.
Guarnizione	1		Isolamento dell'uscita di scarico per l'unità esterna.
Manicotto	2		Per la compatibilità alle normative EMC (utilizzato per il cavo di alimentazione interno e i cavi di collegamento interni/esterni)
Tubo flessibile	1		Drenaggio
Morsetto della tubazione	1		Fissare il tubo flessibile all'unità interna.

I seguenti accessori sono relativi al telecomando.

Nome degli accessori	Q.tà (pezzi)	Forma	Utilizzo
Telecomando	1		Per comandare da remoto il climatizzatore
Supporto del telecomando	1		Per fissare il telecomando alla parete
Vite autofilettante	2		Per fissare il supporto del telecomando
Batteria	2		Per il telecomando

Nota: Gli accessori relativi al telecomando non sono disponibili per i modelli con il termostato. Per i modelli con il termostato fare riferimento al manuale allegato relativo al termostato.

Componenti imballati separatamente

Nome degli accessori	Q.tà (pezzi)	Forma	Utilizzo
Pannello	1		Per comandare da remoto il climatizzatore



## 2. INSTALLAZIONE DELL'UNITÀ INTERNA

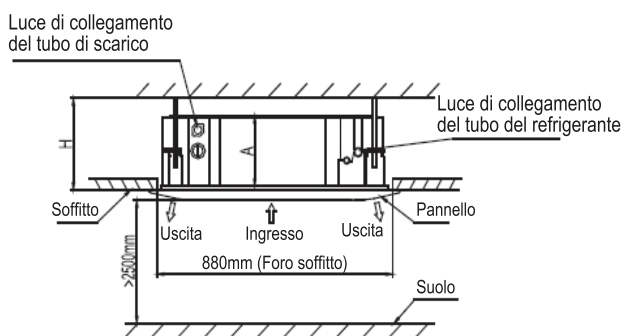
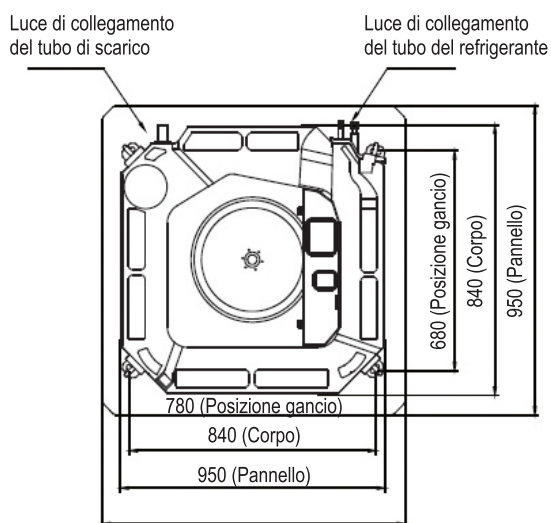
### 2.1 SCELTA DELLA POSIZIONE DI INSTALLAZIONE

#### UNITÀ INTERNA

- Scegliere una posizione non esposta alla luce diretta del sole.
- Scegliere una posizione in cui il flusso di aria non sia bloccato.
- Scegliere una posizione in cui sia garantita una distribuzione dell'aria ottimale.
- Scegliere una posizione in cui la condensa possa essere scaricata correttamente e in sicurezza.
- Installare l'unità interna su una parete/soffitto non soggetti a vibrazioni e sufficientemente resistenti per sostenere il peso del prodotto.
- Predisporre una distanza sufficiente attorno all'unità interna per la manutenzione e l'assistenza.
- Scegliere una posizione in cui il filtro dell'aria possa essere facilmente rimosso e pulito.
- Scegliere una posizione in cui il collegamento dei tubi tra le unità interna ed esterna sia compresa nei limiti consentiti.
- Installare l'unità interna ad almeno 1 m di distanza dalla TV o dalla radio per evitare che lo schermo subisca distorsioni e che vengano generati rumori anomali.
- Installare l'unità interna il più lontano possibile dalle luci fluorescenti e incandescenti, per garantire il corretto funzionamento del telecomando.

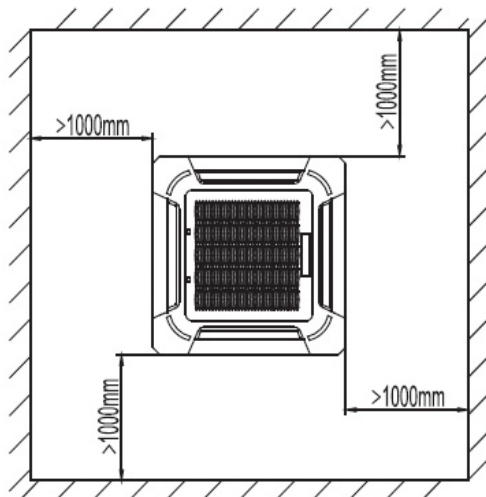
#### SPAZIO NECESSARIO PER L'UNITÀ INTERNA

##### Dimensioni esterne

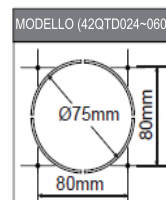


##### Distanza dalla parete o da altri ostacoli

Unità di misura: mm



Model (42QTD)	Dimensioni	
	A	H
024	205	>235
030/036	245	>275
042-060	287	>317



## 2. INSTALLAZIONE DELL'UNITÀ INTERNA

### ATTENZIONE

- Si consiglia di installare il raccordo a Y prima di installare l'unità interna.
- Quando si movimentata l'unità durante o dopo il disimballo, assicurarsi di sollevarla afferrandola dai ganci.
- Non esercitare alcuna pressione sugli altri componenti, in particolare sulle tubazioni del refrigerante e sulle tubazioni di scarico.

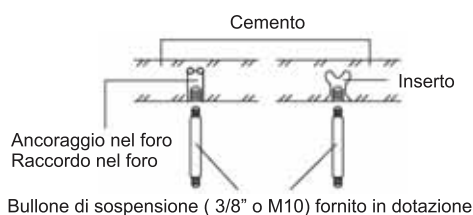
### 2.2. INSTALLAZIONE DEI BULLONI DI SOSPENSIONE

2.2.1 Contrassegnare sul soffitto i punti nei quali si desidera installare l'unità interna.

2.2.2 Eseguire i fori in corrispondenza dei punti contrassegnati, quindi inserire gli ancoraggi dei bulloni. Utilizzare i supporti esistenti sul soffitto oppure costruire un supporto adatto.

#### NOTA

- Utilizzare un ancoraggio inseribile nel foro, inserto incavato per i soffitti esistenti.



2.2.3 Installare i bulloni di sospensione (utilizzare bulloni di sospensione W3/8 o M10, 4 pezzi) in base alla tipologia di soffitto.

### ATTENZIONE

- Assicurarsi che il soffitto sia sufficientemente resistente per sostenere il peso dell'unità. Prima di installare l'unità, verificare la resistenza di ciascun bullone di sospensione fissato. Potrebbe essere necessario rinforzare il telaio del soffitto per evitare oscillazioni. Consultare un architetto o un muratore per ulteriori dettagli.

### 2.3 FISSAGGIO DELL'UNITÀ INTERNA

2.3.1 Serrare i doppi dadi su ciascun bullone di sospensione lasciando lo spazio sufficiente per fissare l'unità interna.



2.3.2 Fissare l'unità interna ai bulloni di sospensione tra i due dadi.

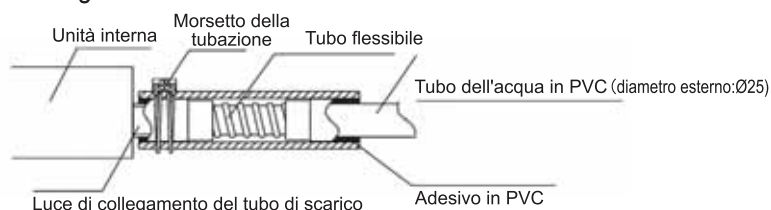


2.3.3 Serrare i dadi per fissare l'unità. Controllare che il lato inferiore dell'unità interna si trovi ad una posizione più alta (da 10 a 12mm) della superficie inferiore del soffitto. La lunghezza L è circa la metà della lunghezza della vite del gancio di installazione.

## 2. INSTALLAZIONE DELL'UNITÀ INTERNA

### 2.4. INSTALLAZIONE DEL TUBO DI SCARICO

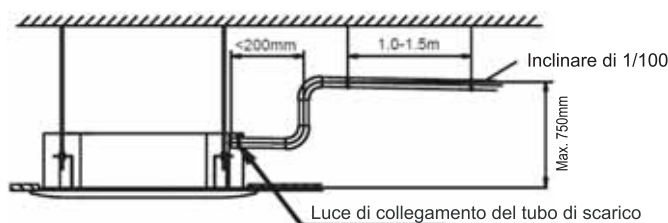
- Rimuovere il coperchio della luce di collegamento del tubo di scarico
- Inserire il tubo flessibile nella luce del tubo di scarico. Fissare saldamente il tubo flessibile all'unità interna con il morsetto della tubazione.
- Installare saldamente il tubo flessibile al tubo dell'acqua in PVC (fornito in dotazione, diametro esterno  $\varnothing 25$ ) con l'adesivo in PVC. Avvolgere il tubo flessibile di scarico con i materiali isolanti.



#### 2.4.1 Collegamento del tubo di scarico

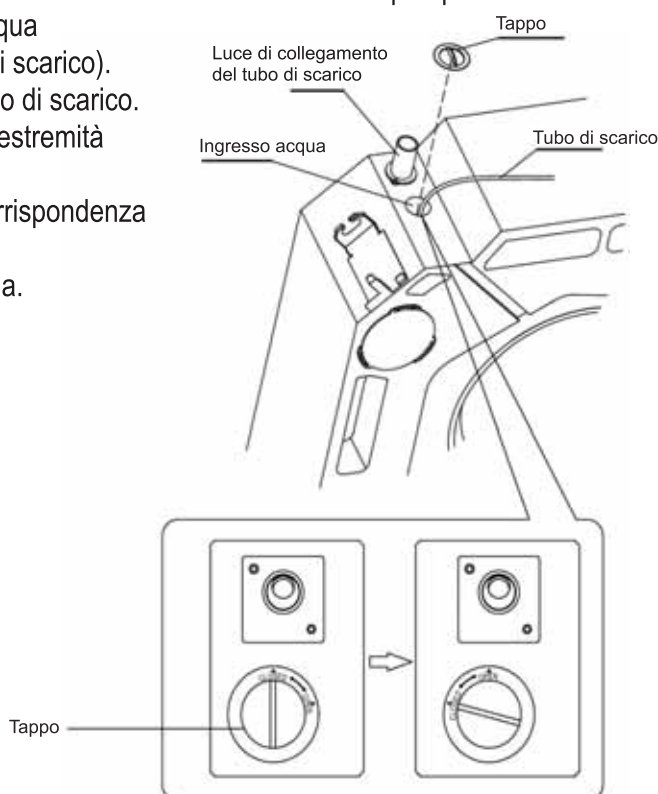
L'unità a cassetta è dotata di pompa di scarico

- Il tubo di scarico deve essere installato ad una distanza non superiore a 200mm dal tubo flessibile. Quindi, installare il tubo di scarico orizzontalmente con un'inclinazione pari o superiore a 1/100 e fissarlo con uno spazio di sospensione di 1,0~1,5m.
- Non installare il tubo flessibile rivolto verso l'alto; il flusso di acqua potrebbe infatti ritornare all'unità.



#### 2.4.2 Verifica dello scarico

- Aprire il tappo del foro di ingresso dell'acqua ruotandolo e tirandolo verso l'alto.
- Inserire gradualmente circa 2 litri di acqua nell'unità interna con il tubo di scarico.
- Azionare il climatizzatore nella modalità COOL e controllare il funzionamento della pompa di scarico (è normale che trascorra 1 minuto prima che l'acqua fuoriesca; ciò dipende dalla lunghezza del tubo di scarico).
- Controllare che l'acqua fuoriesca attraverso il tubo di scarico.
- Controllare la fuoriuscita dell'acqua di scarico all'estremità del tubo di scarico.
- Verificare che non ci siano perdite di acqua in corrispondenza dello scarico.
- Reinstallare il tappo del foro di ingresso dell'acqua.



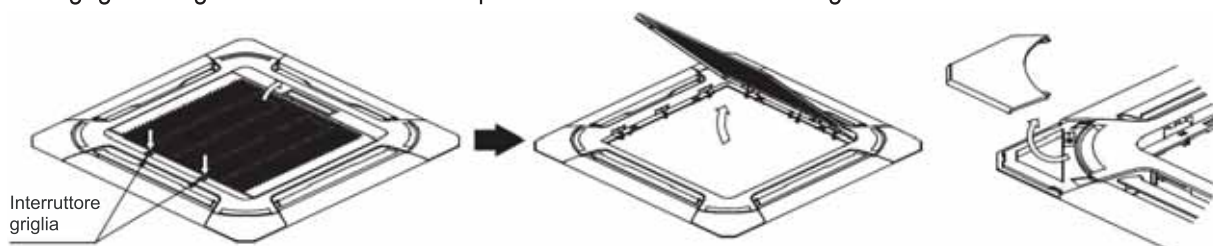
## 2. INSTALLAZIONE DELL'UNITÀ INTERNA

### 2.5 INSTALLAZIONE DEL PANNELLO

#### **ATTENZIONE**

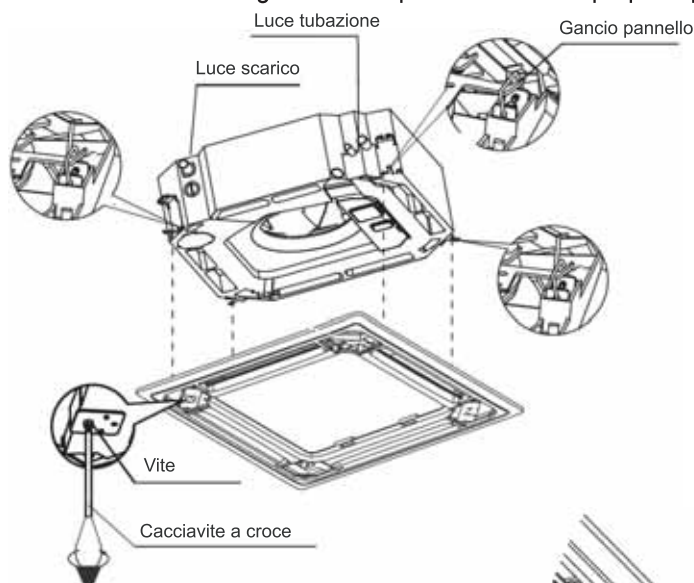
- Prima dell'installazione del pannello, rimuovere l'ammortizzatore che si trova tra la ventola e il foro.
- Installare il pannello seguendo le istruzioni riportate di seguito dopo aver completato gli interventi sulle tubazioni e sui cablaggi.
- Unire saldamente le parti di collegamento del pannello, della superficie del soffitto e dell'unità interna. Eventuali distanze tra di esse provocheranno perdite di aria, con la conseguente formazione di condensa o il verificarsi di perdite di acqua.

2.5.1 Premere contemporaneamente i due interruttori della griglia, quindi sollevare la griglia e rimuovere la griglia di ingresso aria. Estrarre i coperchi di installazione dai 4 angoli.



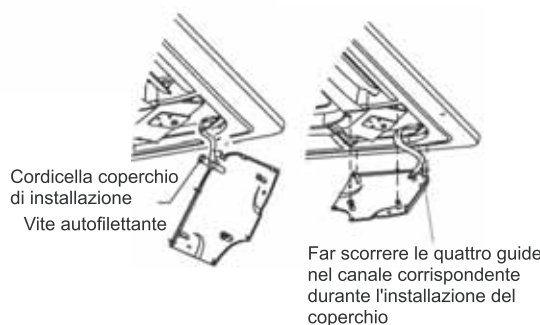
2.5.2 Installare il pannello

- Allineare l'angolo contrassegnato dal lato della tubazione e dal lato scarico con l'interfaccia della tubazione e l'interfaccia di scarico del corpo principale.
- Fissare il pannello ai ganci sul corpo principale.
- Serrare uniformemente le viti sotto il gancio del pannello finché lo spessore della spugna tra il corpo principale e il pannello si riduce a circa 4~6mm. Il bordo del pannello deve essere a contatto con la superficie del soffitto.
- Collegare il cavo del motorino di oscillazione al giunto corrispondente sul corpo principale.



2.5.3 Installare la griglia di ingresso aria

- Agganciare il gancio dietro alla griglia di ingresso aria sul pannello.
- Collegare il cavo del display alla presa corrispondente sul corpo principale.
- Chiudere la griglia di ingresso aria.
- Premere con cautela il coperchio di installazione nel pannello.

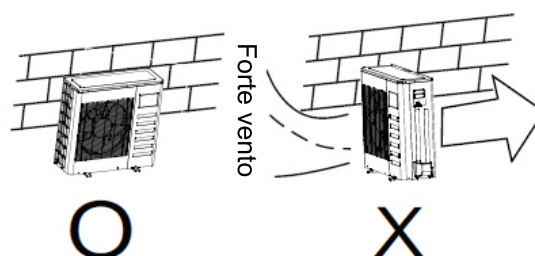


## 3. INSTALLAZIONE DELL'UNITÀ ESTERNA

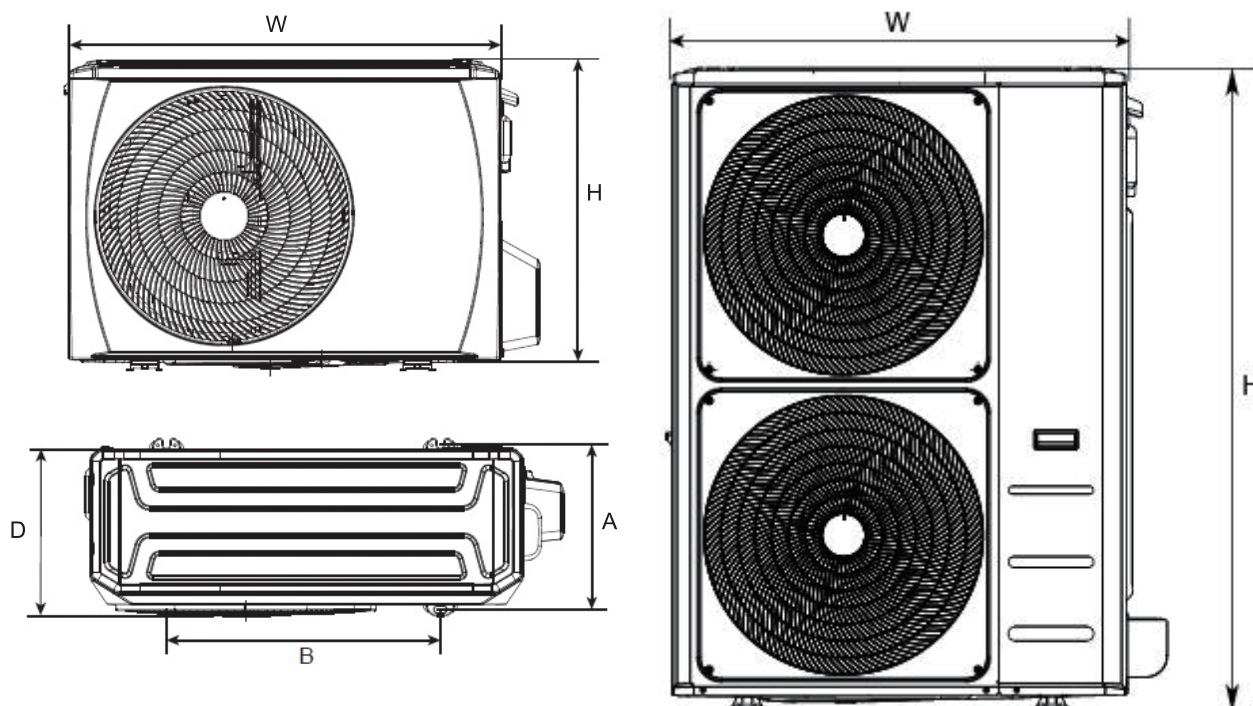
### 3.1 SCELTA DELLA POSIZIONE DI INSTALLAZIONE

#### UNITÀ ESTERNA

- Scegliere una posizione non esposta alla pioggia o alla luce diretta del sole.
- Scegliere una posizione in cui vi sia un'adeguata ventilazione e priva di ostacoli vicino all'ingresso e all'uscita dell'aria.
- Scegliere una posizione che non amplifichi il rumore di funzionamento o le vibrazioni dell'unità esterna.
- Scegliere una posizione in cui non si potrebbero causare problemi di scarico con l'acqua scaricata.
- Installare correttamente l'unità esterna in una posizione sufficientemente resistente per sostenere il peso del prodotto.
- Assicurarsi di rispettare le distanze specificate.
- Scegliere una posizione in cui il collegamento dei tubi tra le unità interna ed esterna sia compresa nei limiti consentiti.
- Nelle regioni nevose e caratterizzate da temperature fredde, evitare di installare l'unità esterna in aree che possono essere ricoperte da neve. Se sono previste grandi nevicate, è necessario installare un supporto per ghiaccio o neve e/o un deflettore per proteggere l'unità dall'accumulo di neve e/o impedire l'ostruzione dell'ingresso dell'aria.
- Se si installa l'unità esterna in una posizione costantemente esposta a forti raffiche di vento, è consigliabile utilizzare un deflettore.



### 3.2 DIMENSIONI DI FISSAGGIO DELL'UNITÀ ESTERNA

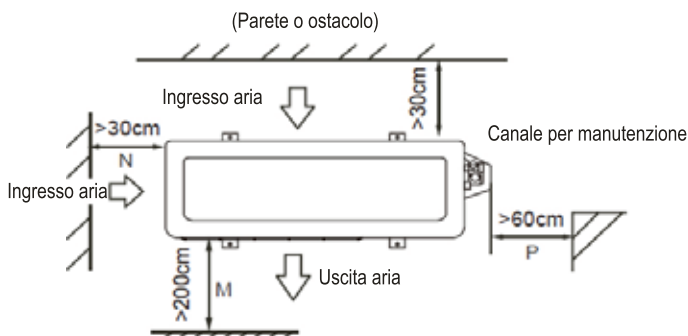


Model (38QUS)	Dimensioni esterne				
	W	H	D	A	B
024	845	702	363	350	540
030~042	945	810	420	403	673
048/060	952	1333	415	404	634

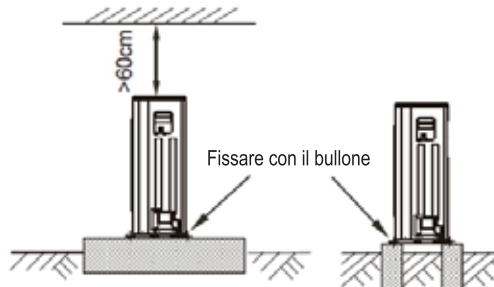
# 3. INSTALLAZIONE DELL'UNITÀ ESTERNA

## 3.3 SPAZIO NECESSARIO PER L'UNITÀ ESTERNA

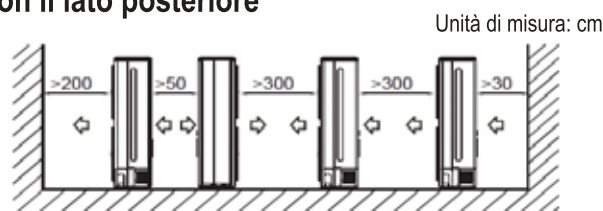
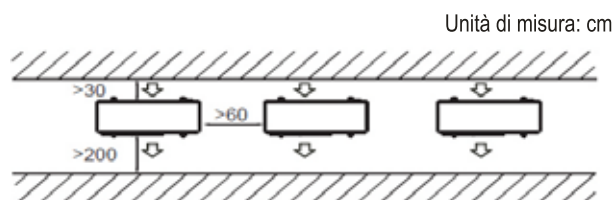
### Installazione dell'unità singola



Collegare le unità in parallelo

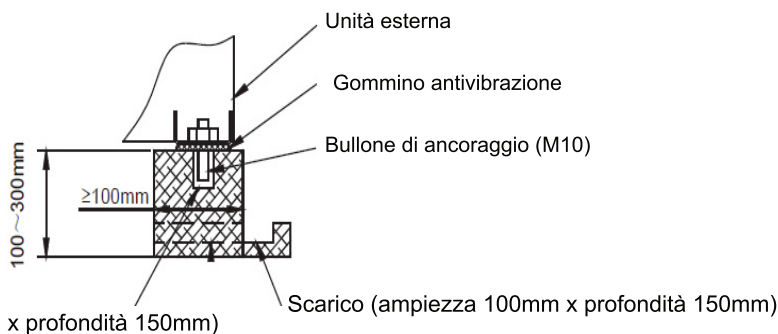


Collegare le unità accoppiando il lato anteriore con il lato posteriore



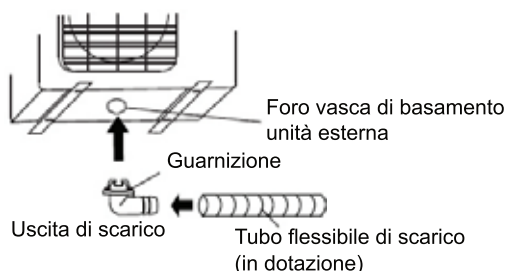
## 3.4 INSTALLAZIONE DELL'UNITÀ ESTERNA

- Prima dell'installazione, controllare la resistenza e la posizione orizzontale della base in modo da evitare che si verifichino rumori anomali.
- Fissare saldamente la base con i bulloni di ancoraggio (M10) per evitarne la caduta.
- Installare i gommini di fondazione e i gommini antivibrazione per sostenere la superficie inferiore della parte di fissaggio, la quale si trova a contatto con la piastra inferiore dell'unità esterna.



## 3.5 INSTALLAZIONE DEL TUBO DI SCARICO PER L'UNITÀ ESTERNA

- Collegare l'uscita di scarico con un tubo di scarico di prolunga.
- Posizionare la guarnizione sull'uscita di scarico.
- Inserire l'uscita di scarico nel foro della vasca della base dell'unità esterna, quindi ruotare di 90 gradi per fissare saldamente.



# 4. INTERVENTO SUL TUBO DEL REFRIGERANTE

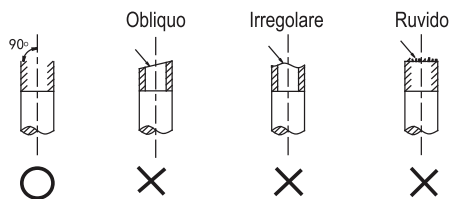
## ATTENZIONE

- Controllare se la differenza di altezza tra l'unità interna e l'unità esterna e la lunghezza totale del tubo del refrigerante sono conformi alle specifiche.
- Gli interventi sul tubo del refrigerante sono conformi all'installazione dell'unità interna e dell'unità esterna. Collegare il tubo prima sul lato interno, quindi sul lato esterno.
- Mantenere sempre sigillate le estremità della tubazione utilizzando un tappo oppure coprendole con il nastro adesivo e NON rimuovere i tappi e il nastro adesivo finché non si è sicuri di essere pronti al collegamento della tubazione.
- Assicurarsi di isolare le tubazioni in tutta la loro lunghezza all'interno dell'unità. Le tubazioni esposte potrebbero causare la formazione di condensa oppure bruciature, se vengono toccate.

### 4.1 SVASATURA NOTA

- Gli attrezzi richiesti per la svasatura sono un tagliatubi, un alesatore, un attrezzo per la svasatura e un supporto per tubi.
- Per i modelli con refrigerante R32, i punti di connessione del tubo devono essere posizionati all'esterno del locale.

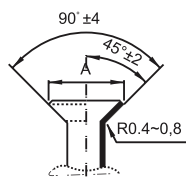
4.1.1 Utilizzare il tagliatubi per tagliare il tubo alla lunghezza richiesta. Assicurarsi che il bordo tagliato sia a 90° rispetto al lato della tubazione.



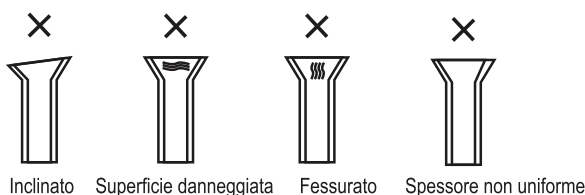
4.1.2 Utilizzare un alesatore per rimuovere le bavature rivolgendo la superficie di taglio verso il basso, in modo che i trucioli non entrino nel tubo.

4.1.3 Eseguire la svasatura utilizzando gli appositi attrezzi come indicato di seguito.

Diametro esterno	A(mm)	
	Max	Min
Ø6,35mm	8,7	8,3
Ø9,52mm	12,4	12,0
Ø12,7mm	15,8	15,4
Ø15,88mm	19,0	18,6
Ø19,05mm	23,3	22,9

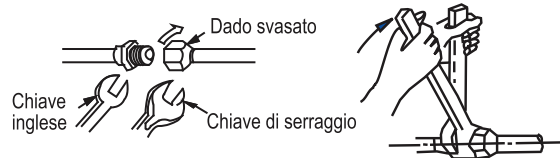


4.1.4 Controllare se la svasatura è stata eseguita correttamente. Di seguito sono riportati esempi di svasature errate delle tubazioni.



### 4.2 INTERVENTO SULLA TUBAZIONE

4.2.1 Allineare il centro per serrare il dado svasato e rifinire il collegamento mediante due chiavi inglesi.



Dimensioni del tubo	Coppia di serraggio
Ø6,35mm	18 ~ 20 N.m
Ø9,52mm	25 ~ 26 N.m
Ø12,7mm	35 ~ 36 N.m
Ø15,88mm	45 ~ 47 N.m
Ø19,05mm	65 ~ 67 N.m

4.2.2 Selezionare il materiale isolante appropriato per il tubo del refrigerante. (Min. 10mm, schiuma termoisolante C)

- Utilizzare tubi termoisolanti separati per i tubi del gas e del liquido.
- Lo spessore sopra indicato corrisponde al valore standard della temperatura interna pari a 27°C e dell'umidità pari all'80%. Se l'installazione avviene in condizioni non favorevoli, ad esempio vicino a bagni, cucine o altri ambienti simili, rinforzare l'isolante.
- La temperatura di resistenza al calore dell'isolante deve essere superiore a 120°C.
- Utilizzare gli adesivi sulla parte di collegamento dell'isolante per evitare l'ingresso di umidità.
- Riparare e ricoprire eventuali fessurazioni dell'isolante, controllando soprattutto la parte piegata o sospesa della tubazione.

## ATTENZIONE

Se è necessaria la brasatura, utilizzare un getto di gas di azoto. Una coppia di serraggio errata potrebbe danneggiare la svasatura o provocare perdite di gas.

# 4. INTERVENTO SUL TUBO DEL REFRIGERANTE

## 4.3 TUBO DEL REFRIGERANTE

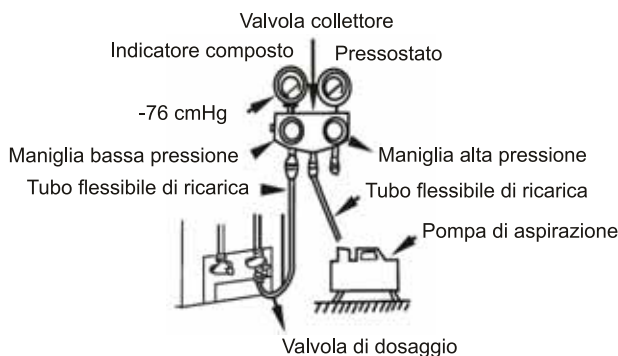
Modello (38QUS)	Lato liquido	Lato gas	Lunghezza (m) tubo consentita	Differenza massima di altezza (m)	Lunghezza (m) senza carico	Carico aggiuntivo per metro (R410A/R32)
024/030	Ø9,52mm	Ø15,88mm	50	25	5	30/24 g/m
036-060	Ø9,52mm	Ø15,88mm	65	30	5	30/24 g/m

NOTA: 1) Utilizzare gli strumenti per i sistemi R410A/R32, rispettivamente.

2) Quando la lunghezza della tubazione è superiore a 5m, è necessario aggiungere il refrigerante in base alla lunghezza stessa.

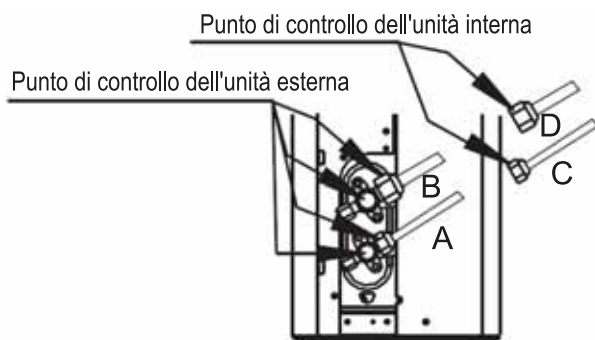
## 4.4 EVACUAZIONE DELL'ARIA

- Collegare il tubo flessibile di ricarica dall'indicatore del collettore alla luce di manutenzione della valvola di dosaggio lato gas.
- Collegare il tubo flessibile di ricarica alla luce della pompa di aspirazione.
- Aprire completamente la maniglia bassa pressione dell'indicatore del collettore.
- Azionare la pompa di aspirazione per evacuare l'aria dal sistema fino a 76 cmHg.
- Chiudere la maniglia bassa pressione dell'indicatore del collettore.
- Aprire completamente gli steli delle valvole di dosaggio.
- Rimuovere il tubo flessibile di ricarica dalla luce di manutenzione.
- Fissare saldamente i tappi della valvola di dosaggio.



## 4.5 VERIFICA DELLE PERDITE

Al termine degli interventi sulle tubazioni, controllare la parte di collegamento di ciascun tubo del refrigerante e verificare che non ci siano perdite di gas applicandovi dell'acqua saponata oppure utilizzando un rilevatore di perdite specifico per refrigeranti HFC. Fare riferimento alla seguente figura.



A: Valvola di arresto bassa pressione

B: Valvola di arresto alta pressione

C e D: Dadi svasati unità interna



# 5. CABLAGGIO



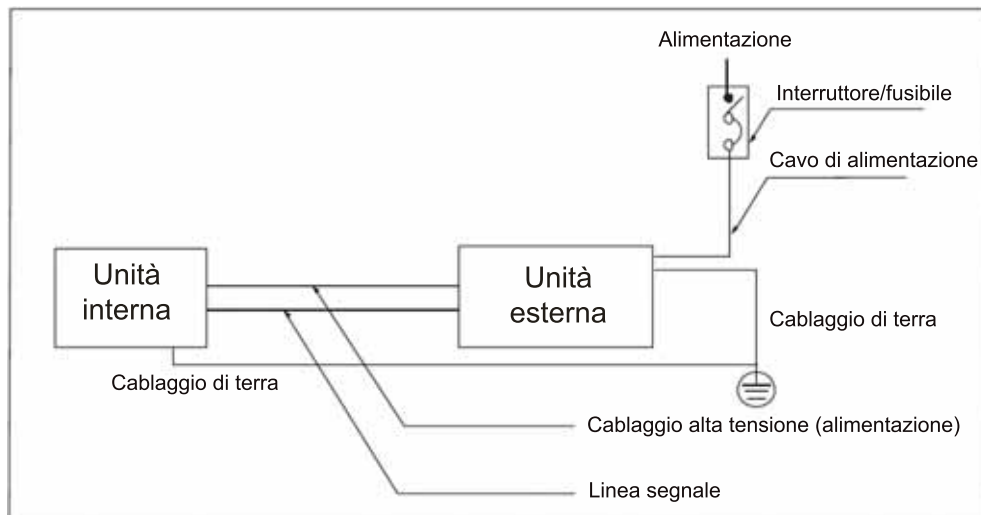
## ! ATTENZIONE

- Tutti i collegamenti elettrici devono essere effettuati da installatori qualificati e il collegamento dei cavi deve rispettare gli schemi elettrici.
- Predisporre il collegamento a terra prima di procedere ai collegamenti elettrici.
- Tutte le fonti di alimentazione devono essere disattivate prima di intervenire sui cablaggi e l'alimentazione non deve essere inserita prima di aver controllato attentamente tutti i cablaggi.
- È necessario installare un commutatore di accensione e un interruttore automatico o un fusibile la cui capacità deve essere superiore di 1,5 volte alla corrente massima nel circuito.
- Deve essere disponibile solo un circuito a ramificazione singola e una presa singola usata solo per questa attrezzatura.
- La sezione trasversale del cavo dipende dalla corrente nominale e dal codice del cablaggio elettrico nazionale, statale e locale. Consultare i codici di costruzione locali e il codice elettrico nazionale per i requisiti speciali.
- Se il cavo di alimentazione è danneggiato, deve essere sostituito dal fabbricante, dall'addetto alla manutenzione o da persone ugualmente qualificate per impedire eventuali rischi.
- L'unità deve essere collegata all'alimentazione principale per mezzo di un interruttore automatico o di un interruttore con una separazione del contatto di almeno 3 mm in tutti i poli. È consigliabile l'installazione di un dispositivo di corrente residua (RCD) con una corrente di funzionamento residua nominale che non superi i 30 mA.

**Vi sono due tipi di collegamento del cablaggio. Controllare attentamente gli schemi elettrici prima di collegare il cablaggio.**

### 5.1 ALIMENTAZIONE DALL'ESTERNO

- Figura illustrativa dei collegamenti



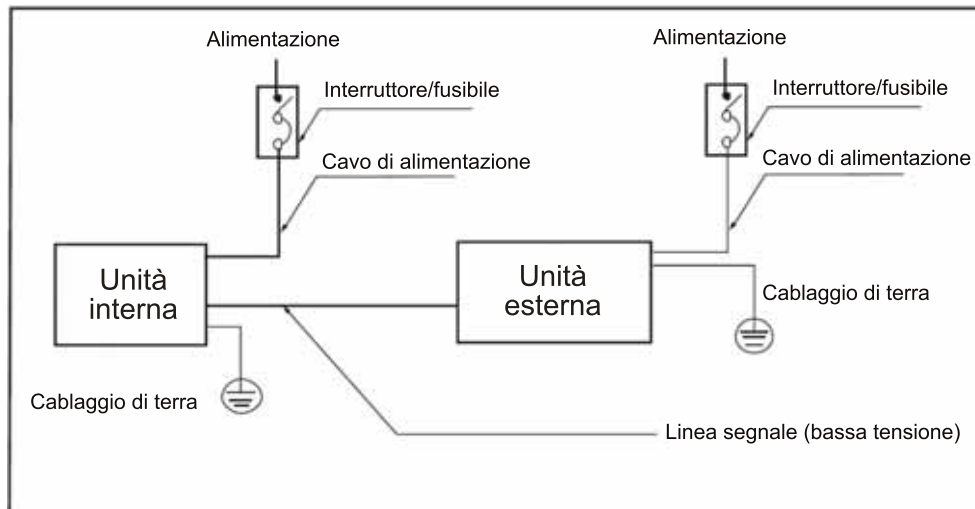
- Specifiche relative all'alimentazione e ai cavi di collegamento

Modello (Btu/h)		24k(R410A)
Alimentazione	Fase	1-Phase
	Frequenza e volt	220-240V~ 50Hz
Corrente nominale		16.0A
Amperaggio fusibile (alimentazione di campo)		25A
Cavo di alimentazione (alimentazione di campo)		H07RN-F; 3×2.5mm <sup>2</sup>
Impianto elettrico interno/esterno (alimentazione di campo)		H07RN-F; 4×2.5mm <sup>2</sup>

# 5. CABLAGGIO

## 5.2 ALIMENTAZIONE INDIPENDENTE

- Figura illustrativa dei collegamenti



- Specifiche relative all'alimentazione e ai cavi di collegamento

Modello (Btu/h)		24k(R32)	30k	36k/42k	48k
Interno	Fase	1-Phase			
	Frequenza e volt	220-240V~ 50Hz			
	Corrente nominale	2.0A	2.0A	2.0A	2.0A
	Amperaggio fusibile (alimentazione di campo)	10A	10A	10A	10A
	Cavo di alimentazione (alimentazione di campo)	H05VV-F; 3×1.0mm <sup>2</sup>	H05VV-F; 3×1.0mm <sup>2</sup>	H05VV-F; 3×1.0mm <sup>2</sup>	H05VV-F; 3×1.0mm <sup>2</sup>
Esterno	Fase	1-Phase	1-Phase	1-Phase	1-Phase
	Frequenza e volt	220-240V~ 50Hz	220-240V~ 50Hz	220-240V~ 50Hz	220-240V~ 50Hz
	Corrente nominale	13.5A	19.0A	23.0A	26.5A
	Interruttore automatico (alimentazione di campo)	25A	50A	50A	70A
	Cavo di alimentazione (alimentazione di campo)	H07RN-F; 3×2.5mm <sup>2</sup>	H07RN-F; 3×2.5mm <sup>2</sup>	H07RN-F; 3×4.0mm <sup>2</sup>	H07RN-F; 3×4.0mm <sup>2</sup>
Impianto elettrico interno/esterno (alimentazione di campo)		Shielded wire; 2×0.2mm <sup>2</sup>	Shielded wire; 2×0.2mm <sup>2</sup>	Shielded wire; 2×0.2mm <sup>2</sup>	Shielded wire; 2×0.2mm <sup>2</sup>

## 5. CABLAGGIO

### ■ Specifiche relative all'alimentazione e ai cavi di collegamento

Modello (Btu/h)		36k(3N)	48k(3N)	60k(3N)
Interno	Fase	1-Phase	1-Phase	1-Phase
	Frequenza e volt	220-240V~ 50Hz		
	Corrente nominale	1.0A	1.0A	1.0A
	Amperaggio fusibile (alimentazione di campo)	10A	10A	10A
	Cavo di alimentazione (alimentazione di campo)	H05VV-F; 3×1.0mm <sup>2</sup>	H05VV-F; 3×1.0mm <sup>2</sup>	H05VV-F; 3×1.0mm <sup>2</sup>
Esterno	Fase	3-Phase	3-Phase	3-Phase
	Frequenza e volt	380-415V 3N~ 50Hz		
	Corrente nominale	10.0A	13.0A	14.0A
	Interruttore automatico (alimentazione di campo)	25A	32A	32A
	Cavo di alimentazione (alimentazione di campo)	H07RN-F; 5×2.5mm <sup>2</sup>	H07RN-F; 5×2.5mm <sup>2</sup>	H07RN-F; 5×2.5mm <sup>2</sup>
Impianto elettrico interno/esterno (alimentazione di campo)		Shielded wire; 2×0.2mm <sup>2</sup>	Shielded wire; 2×0.2mm <sup>2</sup>	Shielded wire; 2×0.2mm <sup>2</sup>

### ▲ ATTENZIONE

- Distanziare il cablaggio di bassa tensione (cavo segnale) e il cablaggio di alta tensione (cablaggio alimentazione) di almeno 0,5 m in modo che non passino entrambi nello stesso punto. La vicinanza potrebbe infatti provocare interferenze elettriche, guasti e rotture.

### NOTA SULLE SPECIFICHE DEL FUSIBILE:

(Applicabile solo alle unità che adottano il refrigerante R32 e il cui fusibile è in ceramica)

1. La specifica del fusibile dell'unità esterna è T20A/250VCA (per unità <24.000 Btu/h), T30A/250VCA (per unità >24.000 Btu/h)
2. La specifica del fusibile dell'unità interna è T5A/250VCA, T10A/250VCA.

# 6. CONTROLLO FINALE E FUNZIONAMENTO DI PROVA

---

## 6.1 ELENCO DEI CONTROLLI FINALI

Per completare l'installazione, effettuare i seguenti controlli prima del funzionamento di prova.

- Verificare la resistenza del punto di installazione sia per il lato interno sia per il lato esterno e controllare che non ci siano ostruzioni nell'uscita o nel ritorno dell'aria dell'unità.
- Verificare la tenuta del collegamento delle tubazioni del refrigerante e controllare che non ci siano perdite.
- Verificare che i collegamenti elettrici siano stati completati correttamente e che sia stata predisposta una messa a terra dell'unità.
- Controllare la lunghezza totale delle tubature e annotare il volume del refrigerante aggiunto.
- L'alimentazione deve essere conforme alla tensione nominale del climatizzatore.
- Controllare l'isolamento delle tubazioni.
- Scarico
- Rimuovere il cuscinetto tra la ventola e la scatola comandi per il trasporto. Quindi, rimontare il pannello laterale e la griglia.

## 6.2 FUNZIONAMENTO MANUALE

È possibile accedere al funzionamento manuale premendo il pulsante corrispondente sul display.

Premere il pulsante ripetutamente per cambiare le modalità come segue:

- Una volta = modalità AUTOMATICA [riscaldamento, raffreddamento o ventola, 24°C e velocità ventola automatica].
- Due volte = modalità di RAFFREDDAMENTO [passaggio alla modalità AUTOMATICA dopo 30 minuti (usata principalmente per il funzionamento di prova)].
- Tre volte = OFF.

## 6.3 FUNZIONAMENTO DI PROVA

Portare il climatizzatore nella modalità di RAFFREDDAMENTO con il telecomando (oppure il pulsante) e controllare il funzionamento dell'unità interna e dell'unità esterna. Se si verificano guasti, risolverli seguendo le indicazioni del capitolo "Ricerca guasti" nel "Manuale di assistenza".

Unità interna

- Controllare se i pulsanti (ON/OFF, MODE, TEMPERATURE, FAN SPEED ecc.) sul telecomando funzionano correttamente.
- Controllare se l'aletta si muove normalmente.
- Controllare se la temperatura dell'ambiente è regolata correttamente.
- Controllare se le spie sul display funzionano correttamente.
- Controllare se il pulsante "manuale" funziona correttamente.
- Controllare se il drenaggio avviene correttamente.
- Controllare se si verificano vibrazioni o rumori anomali durante il funzionamento.
- Controllare se l'unità interna funziona correttamente nella modalità di raffreddamento o di riscaldamento.

Unità esterna

- Controllare se si verificano vibrazioni o rumori anomali durante il funzionamento.
- Controllare se il vento, i rumori o la condensa generati dal climatizzatore disturbano i vicini.
- Controllare se vi sono perdite di refrigerante.

### ATTENZIONE

- Quando l'unità viene riavviata, vi sarà un ritardo di circa 3 minuti per proteggere l'unità stessa.

## 7. INFORMAZIONI SULLA MANUTENZIONE

### 7.1 CONTROLLI SULL'AREA

Prima di iniziare a lavorare su sistemi che contengono refrigeranti infiammabili, sono necessari controlli di sicurezza per ridurre al minimo i rischi di incendio. Prendere le seguenti precauzioni prima di effettuare interventi di riparazione sull'impianto.

### 7.2 PROCEDURA DI LAVORO

I lavori devono essere controllati al fine di ridurre al minimo il rischio di presenza di gas infiammabili o vapore mentre viene effettuato l'intervento.

### 7.3 INFORMAZIONI GENERALI SULL'AREA DI LAVORO

Tutto il personale addetto alla manutenzione deve essere informato della natura del lavoro effettuato. Evitare di operare in spazi ristretti. La zona attorno allo spazio di lavoro deve essere delimitata. Garantire che l'area sia stata messa in sicurezza mediante il controllo del materiale infiammabile.

### 7.4 CONTROLLO DELLA PRESENZA DI REFRIGERANTE

L'area deve essere controllata con un rilevatore di refrigerante appropriato prima e durante il lavoro, per garantire al tecnico di sapere se l'atmosfera è potenzialmente infiammabile. Garantire che l'attrezzatura di rilevamento perdite utilizzata sia adatta all'uso con refrigeranti infiammabili, ovvero che non produca scintille, sia adeguatamente sigillata o intrinsecamente sicura.

### 7.5 PRESENZA DELL'ESTINTORE

Se devono essere effettuati interventi sull'attrezzatura di refrigerazione o su qualsiasi componente associato, è necessario avere a portata di mano un'attrezzatura di spegnimento incendi adeguata. Porre un estintore a polvere secca o a CO<sub>2</sub> vicino all'area di ricarica.

### 7.6 NESSUNA FONTE DI ACCENSIONE

Nessuna persona che effettui interventi relativi all'impianto di refrigerazione che coinvolgano l'esposizione a tubazioni che contengono o contenevano refrigerante deve usare fonti di accensione per evitare il rischio di incendi o esplosioni. Tutte le possibili fonti di accensione, comprese le sigarette, devono essere mantenute a sufficiente distanza dal luogo di installazione, riparazione e smaltimento, perché potrebbe essere rilasciato refrigerante nello spazio limitrofo. Prima di iniziare gli interventi, l'area attorno all'attrezzatura deve essere sorvegliata per garantire che non ci siano fonti di accensione o rischi di incendio. Devono essere affissi cartelli con la scritta "VIETATO FUMARE".

### 7.7 AREA VENTILATA

Assicurarsi che la zona sia all'aperto o adeguatamente ventilata prima di operare sull'impianto o effettuare interventi su componenti caldi. È necessario un certo grado di ventilazione durante il periodo di effettuazione dell'intervento. L'impianto di ventilazione deve disperdere in sicurezza il refrigerante rilasciato e preferibilmente espellerlo esternamente nell'atmosfera.

### 7.8 CONTROLLI ALL'ATTREZZATURA DI REFRIGERAZIONE

Se vengono sostituiti componenti elettrici, devono essere adatti allo scopo e soddisfare le specifiche corrette. Devono sempre essere osservate le linee guida di manutenzione e assistenza del fabbricante. In caso di dubbi, rivolgersi al reparto tecnico del fabbricante per richiedere assistenza. È necessario effettuare i seguenti controlli sugli impianti che utilizzano refrigeranti infiammabili:

## 7. INFORMAZIONI SULLA MANUTENZIONE

- le dimensioni di ricarica devono basarsi sulle dimensioni della stanza in cui i componenti che contengono refrigerante vengono installati;
- i macchinari e le prese di ventilazione devono funzionare in modo adeguato e non essere ostruiti;
- se viene utilizzato un circuito refrigerante indiretto, i circuiti secondari devono essere controllati per la presenza di refrigerante; i contrassegni sull'apparecchiatura devono continuare ad essere visibili e leggibili.
- i contrassegni e i segni illeggibili devono essere corretti;
- il tubo di refrigerazione o i componenti devono essere installati in una posizione in cui è improbabile che possano essere esposti a sostanze che potrebbero corrodere i componenti contenenti refrigerante, a meno che i componenti siano fabbricati con materiali intrinsecamente resistenti alla corrosione o opportunamente protetti dalla corrosione.

### 7.9 CONTROLLI AI DISPOSITIVI ELETTRICI

La riparazione e la manutenzione dei componenti elettrici comprendono i controlli di sicurezza iniziali e le procedure di ispezione dei componenti. Se c'è un guasto che potrebbe compromettere la sicurezza, non collegare nessuna alimentazione elettrica al circuito fino a quando non è stato risolto. Se il guasto non può essere corretto immediatamente, ma è necessario procedere con l'operazione, utilizzare una soluzione temporanea adeguata. Ciò deve essere segnalato al proprietario del dispositivo, in modo che tutti siano avvertiti.

#### **I controlli di sicurezza iniziali comprendono:**

- lo scarico dei condensatori: ciò deve essere effettuato in modo sicuro per evitare la possibilità di scintille
- i componenti elettrici e il cablaggio sotto tensione non devono essere esposti durante la ricarica, il recupero o lo spurgo del sistema;
- la continuità di collegamento a terra.

### 7.10 RIPARAZIONI AI COMPONENTI SIGILLATI

- 10.1 Durante le riparazioni ai componenti sigillati, tutte le forniture elettriche devono essere staccate dalle apparecchiature in lavorazione prima di qualsiasi rimozione dei coperchi a tenuta, ecc. Se è assolutamente necessario erogare elettricità alle apparecchiature durante la manutenzione, un dispositivo di rilevamento delle perdite che opera in modo permanente deve essere collocato nel punto più critico per avvertire di una situazione potenzialmente pericolosa.
- 10.2 Una particolare attenzione deve essere posta a quanto segue per garantire che, lavorando su componenti elettrici, la scatola esterna non sia alterata in modo da influire sul livello di protezione. Ciò comprende i danni ai cavi, numero eccessivo di connessioni, i terminali che non soddisfano le specifiche originali, danni alle guarnizioni, montaggio errato delle tenute dei cavi, ecc.
- Assicurarsi che l'apparecchiatura sia montata saldamente.
  - Assicurarsi che le guarnizioni o i materiali di tenuta non si siano deteriorati in modo tale che non servano più allo scopo di impedire l'ingresso di atmosfere infiammabili. Le parti di ricambio devono essere conformi alle specifiche del fabbricante.

NOTA: L'uso di sigillante siliconico può inibire l'efficacia di alcuni tipi di apparecchiature di rilevamento perdite. Non è necessario isolare i componenti intrinsecamente sicuri prima di lavorare su di essi.

### 7.11 RIPARAZIONE DI COMPONENTI INTRINSECAMENTE SICURI

Non applicare carichi induttivi o capacitivi permanenti al circuito senza garantire che questo non provocherà il superamento della tensione e della corrente ammissibili e consentite per le apparecchiature in uso. I componenti intrinsecamente sicuri sono gli unici tipi sui quali è possibile operare sotto tensione in presenza di un'atmosfera infiammabile. L'apparecchiatura di prova deve avere una tensione nominale adeguata. Sostituire i componenti solo con parti specificate dal fabbricante. Altre parti possono provocare l'accensione di refrigerante nell'atmosfera in seguito a una perdita.

## 7. INFORMAZIONI SULLA MANUTENZIONE

### 7.12 CABLAGGIO

Controllare che il cablaggio non sia soggetto ad usura, corrosione, pressione eccessiva, vibrazioni, spigoli vivi o altri agenti ambientali avversi. Il controllo deve inoltre tener conto degli effetti dell'invecchiamento o delle vibrazioni continue da fonti come compressori o ventilatori.

### 7.13 RILEVAMENTO DI REFRIGERANTI INFIAMMABILI

In nessun caso devono essere utilizzate potenziali fonti di accensione nella ricerca o nella rilevazione di perdite di refrigerante. Non utilizzare una torcia ad alogenuro (o qualsiasi altro rivelatore che utilizzi una fiamma libera).

### 7.14 METODI RILEVAMENTO PERDITE

Per i sistemi contenenti refrigeranti infiammabili sono ritenuti accettabili i seguenti metodi di rilevamento di perdite. I rilevatori di fughe elettronici sono utilizzati per rilevare i refrigeranti infiammabili, ma la sensibilità potrebbe non essere sufficiente, oppure potrebbe essere necessaria una ri-calibrazione. (Le apparecchiature di rilevamento devono essere tarate in una zona priva di refrigerante.) Assicurarsi che il rivelatore non sia una fonte potenziale di accensione e sia è adatto al refrigerante. Le apparecchiature di rilevamento perdite devono essere impostate a una percentuale del limite minimo di infiammabilità del refrigerante ed essere tarate in base al refrigerante impiegato, e la percentuale di gas (25% massimo) deve essere appropriata. I fluidi di rilevamento perdite devono essere adatti all'uso con la maggior parte dei refrigeranti ma occorre evitare l'uso di detergenti contenenti cloro poiché il cloro può reagire con il refrigerante e corrodere le tubature di rame. Se si sospetta una perdita, tutte le fiamme libere devono essere rimosse o spente. Se viene rilevata una perdita di refrigerante che richiede brasatura, tutto il refrigerante deve essere recuperato dall'impianto, oppure isolato (tramite valvole di esclusione) in una parte dell'impianto lontana dalla perdita. L'azoto senza ossigeno (OFN) deve quindi essere spurgato attraverso l'impianto sia prima che durante il processo di brasatura.

### 7.15 RIMOZIONE E SVUOTAMENTO

Quando si opera su un circuito refrigerante per effettuare riparazioni per qualsiasi altro scopo devono essere utilizzate le procedure tradizionali. Tuttavia, è importante seguire le migliori pratiche dato occorre considerare l'infiammabilità. Deve essere rispettata la procedura seguente:

- rimuovere il refrigerante;
- spurgare il circuito con gas inerte;
- svuotare;
- spurgare nuovamente con gas inerte;
- aprire il circuito tagliandolo o mediante la brasatura.

La carica di refrigerante deve essere recuperata nei cilindri di recupero corretti. L'impianto deve essere lavato con OFN per rendere sicura l'unità. Potrebbe essere necessario ripetere più volte questa procedura.

Per questa operazione non utilizzare aria compressa o ossigeno.

Il lavaggio deve essere effettuato rimuovendo la depressione nel sistema con OFN e continuando a riempire finché viene raggiunta la pressione di esercizio, quindi sfiatando all'atmosfera, e infine ripristinando la depressione. Questo processo deve essere ripetuto fino a quando non è più presente refrigerante all'interno del sistema.

Quando si utilizza la carica di OFN finale, il sistema deve essere sfiatato fino alla pressione atmosferica per l'effettuazione dell'intervento. Questa operazione è assolutamente vitale se devono essere effettuate operazioni di brasatura sulla tubazione. Assicurarsi che l'uscita per la pompa del vuoto permetta l'accesso a tutte le fonti di accensione e che sia disponibile la ventilazione.

# 7. INFORMAZIONI SULLA MANUTENZIONE

## 7.16 PROCEDURE DI RICARICA

Oltre alle procedure di ricarica convenzionali, devono essere soddisfatti i seguenti requisiti:

- Assicurarsi che non si verifichi la contaminazione di diversi refrigeranti quando si utilizzano apparecchiature di ricarica. I tubi flessibili o rigidi devono essere il più corti possibili per ridurre al minimo la quantità di refrigerante contenuto in essi.
- Le bombole devono essere mantenute in posizione verticale.
- Assicurarsi che l'impianto di refrigerazione sia collegato a terra prima di immettere refrigerante nell'impianto.
- Apporre etichette sull'impianto quando la carica è completa (se non lo è già).
- Fare attenzione a non riempire eccessivamente l'impianto di refrigerazione.
- Prima di ricaricare l'impianto controllare la pressione con l'OFN. Controllare se ci sono perdite dall'impianto al termine della ricarica, ma prima dell'uso. Effettuare un follow-up del controllo delle perdite

## 7.17 SMANTELLAMENTO

Prima di eseguire questa procedura, è essenziale che il tecnico conosca a fondo l'attrezzatura e tutti i suoi dettagli. Si raccomanda come buona pratica di recuperare in modo sicuro tutti i refrigeranti. Prima di effettuare l'operazione, prendere un campione di olio e di refrigerante, in caso sia necessaria un'analisi prima del riutilizzo del refrigerante recuperato. È essenziale che l'alimentazione elettrica sia disponibile prima di iniziare l'operazione.

- a) Acquisire familiarità con l'apparecchiatura e il suo funzionamento.
- b) Isolare il sistema elettricamente
- c) Prima di eseguire la procedura assicurarsi che:
  - siano disponibili le attrezzature di maneggiamento meccanico, se necessario, per maneggiare le bombole di refrigerante;
  - siano disponibili tutte le apparecchiature protettive personali e che siano utilizzate correttamente;
  - il processo di recupero deve essere controllato in ogni momento da una persona competente;
  - l'attrezzatura di recupero e le bombole devono essere conformi alle normative appropriate.
- d) Svuotare l'impianto del refrigerante, se possibile.
- e) Se non è possibile ottenere la depressione, fabbricare un collettore in modo che il refrigerante possa essere rimosso da varie parti dell'impianto.
- f) Assicurarsi che la bombola si trovi sulla bilancia prima che avvenga il recupero.
- g) Avviare la macchina per il recupero e operare secondo le istruzioni del fabbricante.
- h) Non riempire le bombole eccessivamente. (Volume carica liquida non superiore all'80%).
- i) Non superare la pressione massima di esercizio della bombola, anche solo temporaneamente.
- j) Quando i cilindri sono stati riempiti correttamente e la procedura è stata completata, assicurarsi che le bombole e l'attrezzatura vengano rimossi dal sito prontamente e che tutte le valvole di isolamento sull'attrezzatura siano chiuse.
- k) Il refrigerante recuperato non deve essere caricato in un altro impianto di refrigerazione a meno che non sia stato pulito e controllato.

## 7.18 ETICHETTATURA

Sull'attrezzatura deve essere applicata un'etichetta indicante che l'impianto è stato smantellato e che è privo di refrigerante. L'etichetta deve essere datata e firmata. Assicurarsi che non ci siano etichette sull'attrezzatura che indicano che l'apparecchiatura contiene refrigerante infiammabile.



# 7. INFORMAZIONI SULLA MANUTENZIONE

## 7.19 RECUPERO

- Quando si rimuove il refrigerante da un impianto, per la manutenzione o lo smantellamento, si raccomanda come buona pratica di rimuovere tutti i refrigeranti in sicurezza.
- Quando si trasferisce il refrigerante nelle bombole, garantire che vengano utilizzate solo bombole di recupero del refrigerante adeguate. Assicurarsi che siano disponibili i numeri corretti delle bombole per mantenere la carica totale dell'impianto. Tutte le bombole da utilizzare per il refrigerante recuperato devono essere indicate ed etichettate per questo refrigerante (cioè bombole speciali per il recupero del refrigerante). Le bombole devono essere complete delle valvola limitatrici di pressione e delle valvole di intercettazione associate in buone condizioni.
- Le bombole di recupero devono essere svuotate e, se possibile, raffreddate prima che si verifichi il recupero.
- L'apparecchiatura per il recupero deve essere in buone condizioni di lavoro con una serie di istruzioni relative alle attrezzature a portata di mano e adatte al recupero dei refrigeranti infiammabili. Inoltre, deve essere disponibile e in buone condizioni una serie di bilance tarate.
- I tubi flessibili devono essere completi di raccordi di scollegamento privi di perdite e in buone condizioni. Prima di utilizzare la macchina di recupero, verificare che sia in condizioni di funzionamento soddisfacenti, che sia stata sottoposta alla manutenzione adeguata e che eventuali componenti elettrici associati siano sigillati per evitare l'accensione in caso di rilascio di refrigerante. Consultare il fabbricante in caso di dubbi.
- Il refrigerante recuperato dovrà essere restituito al fornitore di refrigerante nella bombola di recupero corretta, e dovrà essere redatta la relativa Nota di trasferimento dei rifiuti. Non mescolare i refrigeranti nelle unità di recupero e soprattutto non nelle bombole.
- Se è necessario rimuovere compressori o oli per compressori, assicurarsi che siano stati svuotati ad un livello accettabile per accertarsi che il refrigerante infiammabile non rimanga all'interno del lubrificante. Il processo di evacuazione deve essere effettuato prima di restituire il compressore ai fornitori. Per accelerare questo processo, utilizzare solo il riscaldamento elettrico sul corpo del compressore. Lo scarico dell'olio da un impianto deve essere eseguito con particolare attenzione.

## 7.20 TRASPORTO, MARCATURA E STOCCAGGIO PER UNITÀ

1. Trasporto di apparecchiature contenenti refrigeranti infiammabili  
Conformità con le normative sui trasporti
2. Marcatura delle apparecchiature che utilizzano segnali  
Conformità con le normative locali
3. Smaltimento delle apparecchiature che utilizzano refrigeranti infiammabili  
Conformità con le normative nazionali
4. Stoccaggio di attrezzature/apparecchiature  
Lo stoccaggio delle attrezzature deve essere in accordo con le istruzioni del fabbricante.
5. Stoccaggio di attrezzature imballate (invendute)  
Deve essere fabbricata una protezione dell'imballaggio di stoccaggio in modo tale che i danni meccanici alle apparecchiature all'interno dell'imballaggio non causino una perdita della carica di refrigerante.  
Il numero massimo permesso di apparecchiature conservate insieme sarà determinato dalle normative locali.



A Carrier compromete-se a melhorar continuamente os produtos da Carrier de acordo com normas nacionais e internacionais para assegurar os mais elevados padrões de qualidade e fiabilidade, e para cumprir os requisitos dos regulamentos do mercado. Todas as especificações estão sujeitas a alterações sem aviso prévio, de acordo com a política da Carrier de desenvolvimento contínuo

**BEIJER REF AB**

Stortorget 8

Malmö

Sweden