



Turn to the experts

MULTI SYSTEM AIR CONDITIONER INSTALLATION MANUAL



GB

INSTALLATION MANUAL
ENGLISH

ES

MANUAL DE INSTALACIÓN
ESPAÑOL

FR

MANUEL D'INSTALLATION
FRANÇAIS

IT

MANUALE DI INSTALLAZIONE
ITALIANO

IMPORTANT NOTE:

- Read this manual carefully before installing or operating your new air conditioning unit. Make sure to save this manual for future reference.
- This manual only describes the installation of outdoor unit. When installing the indoor unit, refer to the installation manual of indoor unit.

Please check the applicable models, F-GAS and manufacturer information from the "Owner's Manual - Product Fiche" in the packaging of the outdoor unit.

For German/Dutch/Poland/Denmark/Estonia/Lithuania/Latvia/Norway/Sweden/Portugees languages, please visit the website: www.beijerref-carrier.com

This product has been determined to be in compliance with the Low Voltage Directive (2014/35/EC), and the Electromagnetic Compatibility Directive (2014/30/EC) of the European Union.



Correct Disposal of This Product (Waste Electrical & Electronic Equipment)

(When using this air conditioner in European countries, the following guidance must be followed)

- This marking shown on the product or its literature, indicates that waste electrical and electronic equipment (WEEE as in directive 2012/19/EU) should not be mixed with general household waste.

It is prohibited to dispose of this appliance in domestic household waste.

For disposal, there are several possibilities:

1. The municipality has established collection systems, where electronic waste can be disposed of at least free of charge to the user.
2. When buying a new product, the retailer will take back the old product at least free of charge.
3. The manufacture will take back the old appliance for disposal at least free of charge to the user.
4. As old products contain valuable resources, they can be sold to scrap metal dealers.

Wild disposal of waste in forests and landscapes endangers your health when hazardous substances leak into the ground-water and find their way into the food chain.

This product contains fluorinated gases covered by the Kyoto Protocol

Chemical Name of Gas	R410A / R32
Global Warming Potential (GWP) of Gas	2088 / 675

⚠ CAUTION

1. Paste the enclosed refrigerant label adjacent to the charging and/or recovering location.
2. Clearly write the charged refrigerant quantity on the refrigerant label using indelible ink.
3. Prevent emission of the contained fluorinated gas. Ensure that the fluorinated gas is never vented to the atmosphere during installation, service or disposal. When any leakage of the contained fluorinated gas is detected, the leak shall be stopped and repaired as soon as possible.
4. Only qualified service personnel are allowed to access and service this product.
5. Any handling of the fluorinated gas in this product, such as when moving the product or recharging the gas, shall comply under (EC) Regulation No. 517/2014 on certain fluorinated greenhouse gases and any relevant local legislation.
6. Contact dealers, installers, etc., for any questions.



Caution: **Risk of fire**
for R32/R290 refrigerant only

The manufacturer reserves the right to change any product specifications without notice.

CONTENTS

1. PREPARING FOR INSTALLATION	3
2. INSTALLATION OVERVIEW	7
3. INSTALLATION DIAGRAM	8
4. SPECIFICATIONS	9
5. OUTDOOR UNIT INSTALLATION	11
5.1 Outdoor Unit Installation Instructions	11
5.2 Drain Joint Installation	13
5.3 Notes on Drilling Hole in Wall	13
5.4 When Select a 24K Indoor Unit	13
6. REFRIGERANT PIPING CONNECTION	14
7. WIRING	16
7.1 Safety Precautions	16
7.2 Outdoor Unit Wiring	16
7.3 Wiring Figure	18
8. AIR EVACUATION	21
8.2 Evacuation Instructions	21
8.4 Note on Adding Refrigerant	22
9. TEST RUN	23
10. FUNCTION OF AUTOMATIC WIRING/PIPING CORRECTION	24
11. INFORMATION SERVICING	25

Type	Model Name	Dimension(ODU)	Rated Voltage & Hz
Outdoor Unit	38QUS014DS2*/38QUS014D8S2*	800x333x554	
	38QUS018DS2*/38QUS018D8S2*		
	38QUS021DS3*/38QUS021D8S3*	845x363x702	
	38QUS027DS3*/38QUS027D8S3*		
	38QUS028DS4*/38QUS028D8S4*	946x410x810	
	38QUS036DS4*/38QUS036D8S4*		
	38QUS042DS5*/38QUS042D8S5*		
	38QUS014D8S2-1/38QUS018D8S2-2		
	38QUS021D8S3-1/38QUS027D8S3-2	890x342x673	
Wall Mounted Indoor Unit	42QHC007D8S*/42QHC009D8S*	730×192×291	220-240V~ 50Hz
	42QHC012D8S*	812×192×300	
	42QHC018D8S*	973×218×319	
	42QHC024D8S*	1082×225×338	
	42QHB09E8S*	722×187×290	
	42QHB12E8S*	802×189×297	
	42QHB18D8S*	965×215×319	
	42QHB24D8S*	1080×226×335	
	42QHG007D8S*/42QHG009D8S*	726×210×291	
	42QHG012D8S*	835×208×295	
	42QHG018D8S*	969×241×320	
	42QHG024D8S*	1083×244×336	
	42QHE07D8SH*/42QHE09D8SH*/42QHE12D8SH*	795×225×295	
	42QHE18D8SH*	965×239×319	
42QHE24D8SH*	1140×370×275		
Duct Type Indoor Unit	42QSS007D8S*/42QSS009D8S*/42QSS012D8S*	700×450×200	
	42QSS018D8S*	880×674×210	
Cassette Type Indoor Unit	42QSS024D8S*/42QSS024DS*(R410A Only)	1100×774×249	
	42QTD007D8S*/42QTD009D8S*/42QTD012D8S*/42QTD018D8S*	570×570×260	
	42QTD024D8S*/42QTD024DS*(R410A Only)	830×830×205/840×840×245	
Console Type Indoor Unit	42QZA012D8S*/42QZA018D8S*	700×600×210	
	42QZL018D8S*	1068×675×235	
	42QZL024D8S*/42QZL024DS*(R410A Only)	1068×675×235	

1. PREPARING FOR INSTALLATION

1.1 Safety cautions

- Installing, starting up, and servicing air-conditioning equipment can be hazardous due to system pressures, electrical components, and equipment location (roofs, elevated structures, etc.).
- Only trained, qualified installers and service mechanics should install, start-up, and serve this equipment.
- When working on the equipment, observe precautions in the literature and on tags, stickers, and labels attached to the equipment.
- Follow all safety codes. Wear safety glasses and work gloves. Keep quenching cloth and fire extinguisher nearby when brazing. Use care in handling, rigging, and setting bulky equipment.
- Read these instructions thoroughly and follow all warnings or cautions included in literature and attached to the unit. Consult local building codes and National Electrical Code for special requirement.

WARNING

This symbol indicates the possibility of personnel injury or loss of life.

- Refrigerant gas is heavier than air and replaces oxygen. A massive leak could lead to oxygen depletion, especially in basements, and an asphyxiation hazard could occur leading to serious injury or death.
- When the air conditioner is installed in a small room, provide appropriate measures to ensure that the concentration of refrigerant leakage occur in the room does not exceed the critical level.
- If the refrigerant gas leaks during installation, ventilate the area immediately.
Refrigerant gas may produce a toxic gas if it comes in contact with fire such as from a fan heater, stove or cooking device.
Exposure to this gas could cause severe injury or death.
- Disconnect from power source before attempting any electrical work. Connect the connective cable correctly.
Wrongly connecting may result in electric parts damaged.
- Use the specified cables for electrical connections and attach the wires firmly to the terminal block connecting sections so that the external force is not exerted to the terminal.
- Be sure to provide grounding.
Do not ground units to gas pipes, water pipes, lightning rods or telephone wires. Incomplete grounding could cause a severe shock hazard resulting in injury or death.
- Safely dispose of the packing materials.
Packing materials, such as nails and other metal or wooden parts, may cause stabs or other injuries. Tear apart and throw away plastic packaging bags so that children will not play with them. Children playing with plastic bags face the danger of suffocation.
- Do not install unit near concentrations of combustible gas or gas vapors.
- Be sure to use the supplied or exact specified installation parts.
Use of other parts may cause the unit to come to lose, water leakage, electrical shock, fire or equipment damage.
- When installing or relocating the system, do not allow air or any substances other than the specified refrigerant (R410A/R32) to enter the refrigeration cycle.
- Duct and Cassette type indoor is not accessible to the general public and intended to be maintained by qualified service personnel and located at a level not less than 2.5m from floor.
- Electrical work should be carried out in accordance with the installation manual and the national, state and local electrical wiring codes.
- Be sure to use a dedicated power circuit. Never share the same power outlet with other appliance.

1. PREPARING FOR INSTALLATION

WARNING

- In order to avoid a hazard due to inadvertent resetting of the thermal cut-out, this appliance must not be supplied through an external switching device, such as a timer, or connected to a circuit that is regularly switched on and off by the utility.
- Use the prescribed cables for electrical connection with insulation protected by insulation sleeving having an appropriate temperature rating.
Unconformable cables can cause electric leak, anomalous heat production or fire.
NOTE: The following information are required for the units adopt R32/R290 Refrigerant.
- The appliance shall be stored in a room without continuously operating ignition sources. (for example: open flames, and operating gas appliance or an operating electric heater).
- Do not pierce or burn.
- Be aware that refrigerants may not contain an odour.
- Compliance with national gas regulations shall be observed.
- Appliance shall be stored in a well-ventilated area where the room size corresponds to the room area as specified for operation.
- Appliance shall be installed, operated and stored in a room with a floor area larger than X m², installation of pipe-work shall be kept to a minimum X m²(Please see the following form).
- Appliance shall not be installed in an unventilated space, if that space is smaller than X m² (Please see the following form). Spaces where refrigerant pipes shall be compliance with national gas regulations.

Model(Btu/h)	Amount of refrigerant to be charged (kg)	maximum installation height (m)	Minimum room area (m ²)
≤30000	≤2.048	1.8m	4
		0.6m	35
30000-48000	2.048-3.0	1.8m	8
		0.6m	80
>48000	>3.0	1.8m	9
		0.6m	80

Note about Fluorinated Gases

- This air-conditioning unit contains fluorinated gases. For specific information on the type of gas and the amount, please refer to the relevant label on the unit itself.
- Installation, service, maintenance and repair of this unit must be performed by a certified technician.
- Product uninstallation and recycling must be performed by a certified technician.
- If the system has a leak-detection system installed, it must be checked for leaks at least every 12 months.
- When the unit is checked for leaks, proper record-keeping of all checks is strongly recommended.

CAUTION

This symbol indicates the possibility of property damage or serious consequences.

- To avoid personal injury, be careful when handling parts with sharp edges.
- Do not install the indoor or outdoor units in a location with special environmental conditions.
- Do not install in a place that can amplify the noise level of the unit or where noise and discharged air might disturb neighbors.

1. PREPARING FOR INSTALLATION

WARNING

- Never modify this unit by removing any of the safety guards or bypassing any of the safety interlock switches.
- In order to avoid a hazard due to inadvertent resetting of the thermal cut-out, this appliance must not be supplied through an external switching device, such as a timer, or connected to a circuit that is regularly switched on and off by the utility.
- Use the prescribed cables for electrical connection with insulation protected by insulation sleeving having an appropriate temperature rating.
Unconformable cables can cause electric leak, anomalous heat production or fire.

CAUTION



This symbol indicates the possibility of property damage or serious consequences.

- Perform the drainage/piping work securely according to the installation manual.
- Improper drain piping may result in water leakage and property damage.
- Do not install the air conditioner in the following places.
 - The place where there is mineral oil or arsenic acid.
 - The place where corrosive gas (such as sulfurous acid gas) or combustible gas (such as thinner) can accumulate or collect, or where volatile combustible substances are handled.
 - The place there is equipment that generates electromagnetic fields or high frequency harmonics.

1. PREPARING FOR INSTALLATION

1.2 Accessories

The air conditioning system comes with the following accessories. Use all of the installation parts and accessories to install the air conditioner. Improper installation may result in water leakage, electric shock and fire, or equipment failure.

Name		Shape	Quantity
Installation plate			1
Plastic expansion sheath			5-8 (depending on models)
Self-Tapping Screw A ST3.9X25			5-8 (depending on models)
Drain joint (some models)			1
Seal ring (some models)			1
Connecting pipe assembly	Liquid side	Ø6.35	Parts you must purchase. Consult a technician for the proper size.
		Ø9.52	
	Gas side	Ø9.52	
		Ø12.7	
		Ø15.9	
Owner's manual			1
Installation manual			1
Transfer connector (packed with the indoor or outdoor unit, depending on models) NOTE: Pipe size may differ from appliance to appliance. To meet different pipe size requirements, sometimes the pipe connections need a transfer connector installed on the outdoor unit .			Optional part (one piece/one indoor unit) Optional part (1-5 pieces for outdoor unit, depending on models)
Magnetic ring (Hitch on the connective cable between the indoor unit and outdoor unit after installation.)			Optional part (one piece/one cable)
Cord protection rubber ring (If the cord clamp cannot fasten on a small cord, use the cord protection rubber ring [supplied with accessories] to wrap around the cord. Then fix it in place with the cord clamp.)			1 (on some models)

Optional Accessories

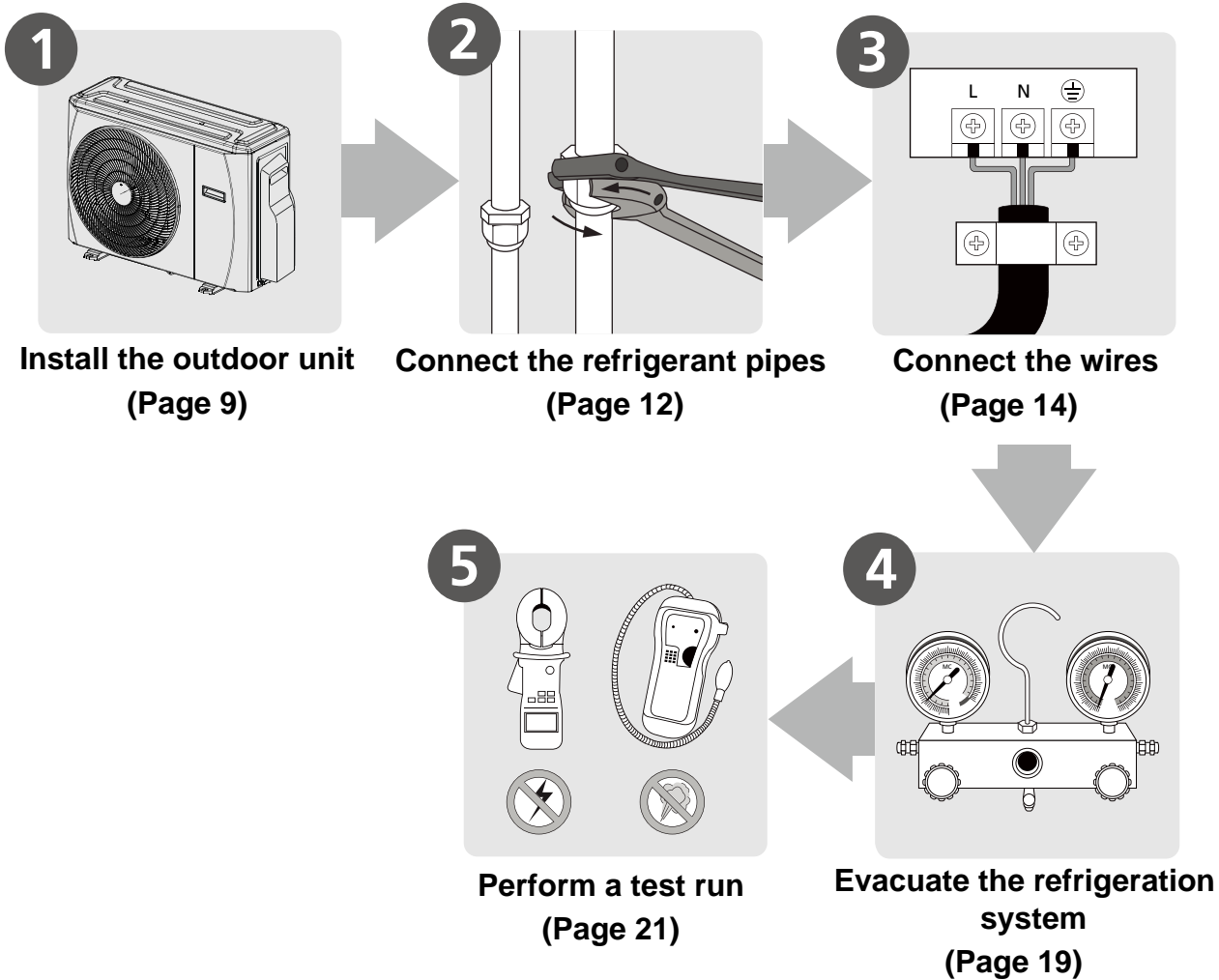
There are two types of remote controls: wired and wireless.

Select a remote controller based on customer preferences and requirements and install in an appropriate place.

Refer to catalogues and technical literature for guidance on selecting a suitable remote controller.

2. INSTALLATION OVERVIEW

2.1 Installation order



3. INSTALLATION DIAGRAM

3.1 Installation Diagram

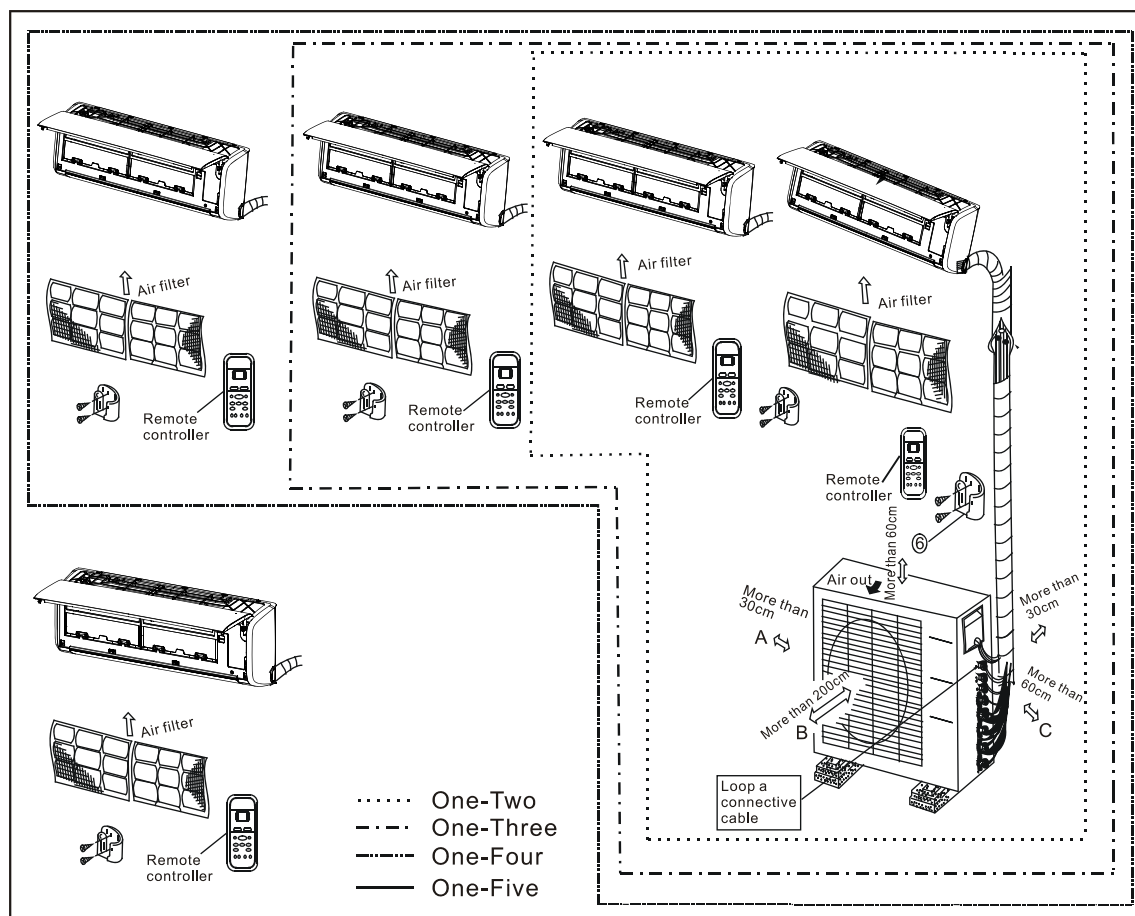


Fig. 3.1

Safety Precautions

⚠ CAUTION

- This illustration is for demonstration purposes only. The actual shape of your air conditioner may be slightly different.
- Copper lines must be independently insulated.

⚠ CAUTION

- To prevent wall damage, use a stud finder to locate studs.
- A minimum pipe run of 3 metres is required to minimise vibration & excessive noise.
- Two of the A, B, and C air circulation pathways must be free from obstructions at all times.

4. SPECIFICATIONS

Table 4.1

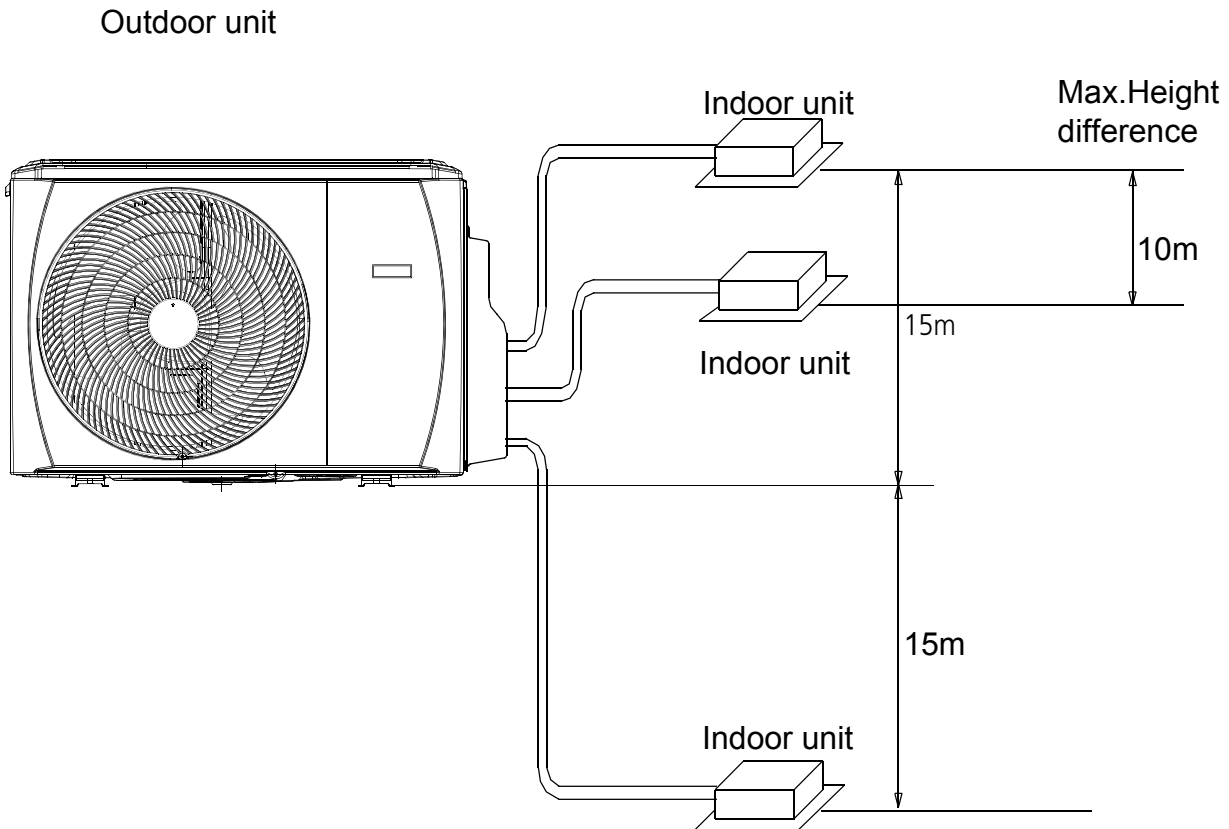
Number of units that can be used together	Connected units	1-5 units
Compressor stop/start frequency	Stop time	3 min or more
Power source voltage	voltage fluctuation	within $\pm 10\%$ of rated voltage
	voltage drop during start	within $\pm 15\%$ of rated voltage
	interval unbalance	within $\pm 3\%$ of rated voltage

Table 4.2

Unit: m

Model (Btu/h)	1 drive 2		1 drive 3		1 drive 4		1 drive 5
	14k	18k	21k	27k	28k	36k	42k
Max. length for all rooms	40	40	60	60	80	80	80
Max. length for one indoor unit	25	25	25	30	30	35	35
Max. height different between indoor and outdoor unit	OU higher than IU	15	15	15	15	15	15
	OU lower than IU	15	15	15	15	15	15
Max. height different between indoor units	10	10	10	10	10	10	10

When installing multiple indoor units with a single outdoor unit, ensure that the length of the refrigerant pipe and the drop height between the indoor and outdoor units meet the requirements illustrated in the following diagram:



5. OUTDOOR UNIT INSTALLATION

5.1 Outdoor Unit Installation Instructions

Step 1: Select installation location.

The outdoor unit should be installed in the location that meets the following requirements:

- Place the outdoor unit as close to the indoor unit as possible.
- Ensure that there is enough room for installation and maintenance.
- The air inlet and outlet must not be obstructed or exposed to strong wind.
- Ensure the location of the unit will not be subject to snowdrifts, accumulation of leaves or other seasonal debris. If possible, provide an awning for the unit.
- Ensure the awning does not obstruct airflow.
- The installation area must be dry and well ventilated.
- There must be enough room to install the connecting pipes and cables and to access them for maintenance.
- The area must be free of combustible gases and chemicals.
- The pipe length between the outdoor and indoor unit may not exceed the maximum allowable pipe length.
- If possible, **DO NOT** install the unit where it is exposed to direct sunlight.
- If possible, make sure the unit is located far away from your neighbors' property so that the noise from the unit will not disturb them.
- If the location is exposed to strong winds (for example: near a seaside), the unit must be placed against the wall to shelter it from the wind. If necessary, use an awning. (See Fig. 5.1 & 5.2)
- Install the indoor and outdoor units, cables and wires at least 1 meter from televisions or radios to prevent static or image distortion. Depending on the radio waves, a 1 meter distance may not be enough to eliminate all interference.

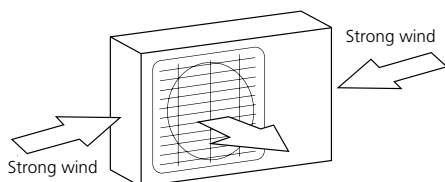


Fig. 5.1

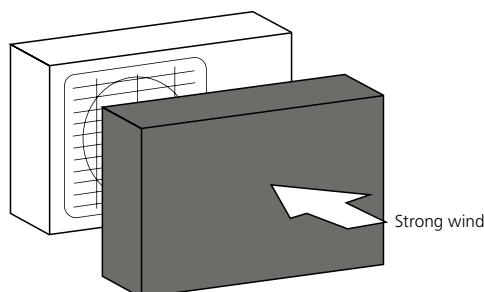


Fig. 5.2

Step 2: Install outdoor unit.

Fix the outdoor unit with anchor bolts (M10)

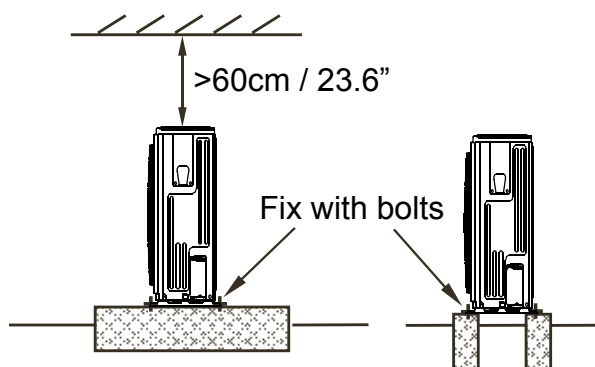


Fig. 5.3

! CAUTION

- Be sure to remove any obstacles that may block air circulation.
- Make sure you refer to Length Specifications to ensure there is enough room for installation and maintenance.

5. OUTDOOR UNIT INSTALLATION

Split Type Outdoor Unit

(Refer to Fig 5.4, 5.5, 5.6, 5.9 and Table 5.1)

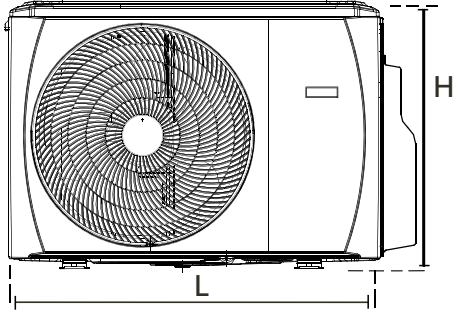


Fig. 5.4

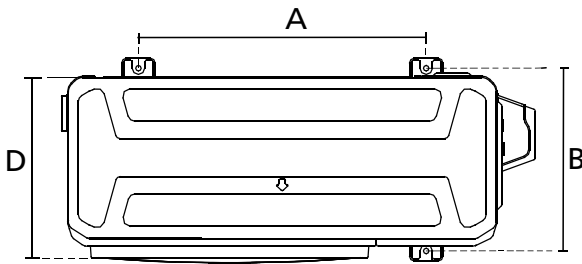


Fig. 5.5

Rows of series installation

Table 5.2 The relations between H, A and L are as follows.

	L	A
L H	L \geq 1/2H	25 cm / 9.8" or more
	1/2H < L H	30 cm / 11.8" or more
L > H	Can not be installed	

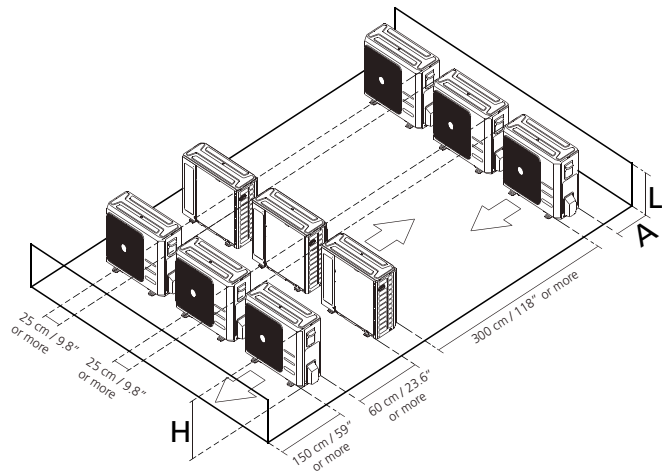


Fig. 5.6

Table 5.1: Length Specifications of Split Type Outdoor Unit (unit: mm)

Outdoor Unit Dimensions W x H x D	Mounting Dimensions	
	Distance A	Distance B
800x554x333 (31.5x21.8x13.1)	514	340
845x702x363 (33.27x27.6x14.3)	540	350
946x810x410 (37.2x31.9x16.14)	673	403
805x554x330 (31.7x21.8x12.9)	511	317
890x673x342 (35.0x26.5x13.5)	663	354

5. OUTDOOR UNIT INSTALLATION

NOTE: The minimum distance between the outdoor unit and walls described in the installation guide does not apply to airtight rooms. Be sure to keep the unit unobstructed in at least two of the three directions (M, N, P) (See Fig. 5.7)

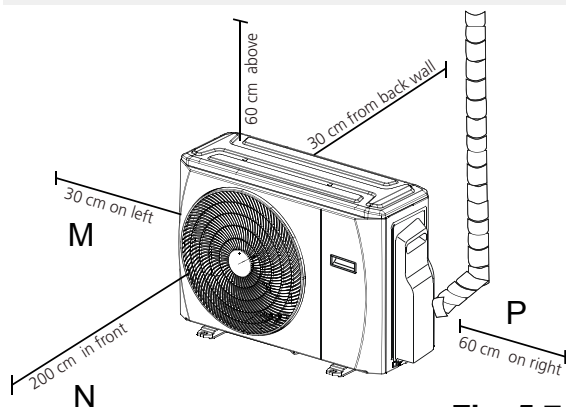


Fig. 5.7

5.2 Drain Joint Installation

Before bolting the outdoor unit in place, you must install the drain joint at the bottom of the unit. (See Fig. 5.8)

1. Fit the rubber seal on the end of the drain joint where it will connect to the outdoor unit.
2. Insert the drain joint into the hole in the base pan.
3. Rotate the drain joint 90° until it clicks in place and faces the front of the unit.
4. Connect a drain hose extension (not included) to the drain joint to redirect water from the unit during heating mode.

NOTE: Make sure the water drains to a safe location where it will not cause water damage or a slipping hazard.

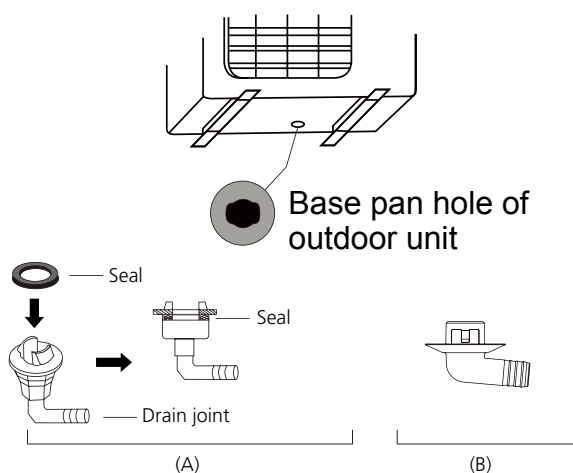


Fig. 5.8

5.3 Notes On Drilling Hole In Wall

You must drill a hole in the wall for the refrigerant piping, and signal cable that will connect the indoor and outdoor units.

1. Determine the location of the wall hole based on the location of the outdoor unit.
2. Using a 65-mm (2.5") core drill, drill a hole in the wall.

NOTE: When drilling the wall hole, make sure to avoid wires, plumbing, and other sensitive components.

3. Place the protective wall cuff in the hole. This protects the edges of the hole and helps seal it when you finish the installation process.

5.4 When Select a 24K Indoor Unit

The 24K indoor unit can only be connected with an A system. If there are two 24K indoor units, they can be connected with A and B systems. (See Fig. 5.9)

Table 5.3: Connective pipe size of an A and B system (unit: inch)

Indoor Unit capacity (Btu/h)	Liquid	Gas
7K/9K/12K	1/4	3/8
18K	1/4	1/2
24K	3/8	5/8

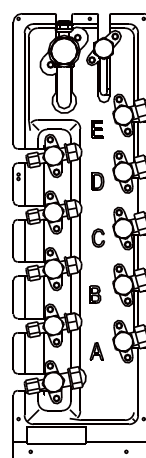


Fig. 5.9

6. REFRIGERANT PIPING CONNECTION

6.1 Safety Precautions

WARNING

- All field piping must be completed by a licensed technician and must comply with the local and national regulations.
- When the air conditioner is installed in a small room, measures must be taken to prevent the refrigerant concentration in the room from exceeding the safety limit in the event of refrigerant leakage. If the refrigerant leaks and its concentration exceeds its proper limit, hazards due to lack of oxygen may result.
- When installing the refrigeration system, ensure that air, dust, moisture or foreign substances do not enter the refrigerant circuit. Contamination in the system may cause poor operating capacity, high pressure in the refrigeration cycle, explosion or injury.
- Ventilate the area immediately if there is refrigerant leakage during the installation. Leaked refrigerant gas is both toxic and flammable. Ensure there is no refrigerant leakage after completing the installation work.

Refrigerant Piping Connection Instructions

CAUTION

- The branching pipe must be installed horizontally. An angle of more than 10° may cause malfunction.
- **DO NOT** install the connecting pipe until both indoor and outdoor units have been installed.
- Insulate both the gas and liquid piping to prevent water leakage.

Step 1: Cut pipes

When preparing refrigerant pipes, take extra care to cut and flare them properly. This will ensure efficient operation and minimize the need for future maintenance.

1. Measure the distance between the indoor and outdoor units.
2. Using a pipe cutter, cut the pipe a little longer than the measured distance.

CAUTION

DO NOT deform pipe while cutting. Be extra careful not to damage, dent, or deform the pipe while cutting. This will drastically reduce the heating efficiency of the unit.

1. Make sure that the pipe is cut at a perfect 90° angle. Refer to Fig. 6.1 for examples of bad cuts

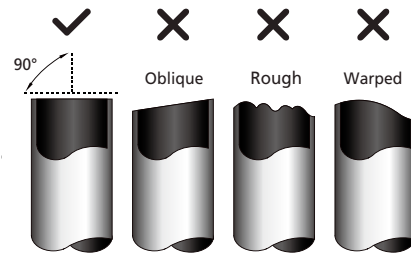


Fig. 6.1

Step 2: Remove burrs.

Burrs can affect the air-tight seal of refrigerant piping connection. They must be completely removed.

1. Hold the pipe at a downward angle to prevent burrs from falling into the pipe.
2. Using a reamer or deburring tool, remove all burrs from the cut section of the pipe.

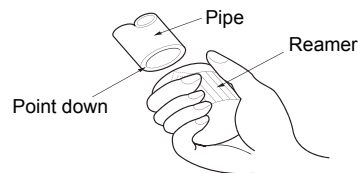


Fig. 6.2

Step 3: Flare pipe ends

NOTE

- For R32 refrigerant models, the pipe connection points must be placed outside of room.

Proper flaring is essential to achieve an airtight seal.

1. After removing burrs from cut pipe, seal the ends with PVC tape to prevent foreign materials from entering the pipe.
2. Sheath the pipe with insulating material.
3. Place flare nuts on both ends of pipe. Make sure they are facing in the right direction, because you can't put them on or change their direction after flaring. See Fig. 6.3

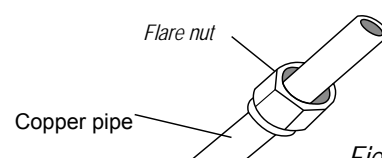


Fig. 6.3

6. REFRIGERANT PIPING CONNECTION

- Remove PVC tape from ends of pipe when ready to perform flaring work.
- Clamp flare form on the end of the pipe. The end of the pipe must extend beyond the flare form.

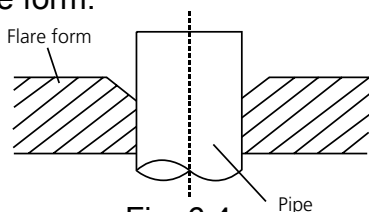


Fig. 6.4

- Place flaring tool onto the form.
- Turn the handle of the flaring tool clockwise until the pipe is fully flared. Flare the pipe in accordance with the dimensions shown in table 6.1.

Table 6.1: PIPING EXTENSION BEYOND FLARE FORM

Pipe gauge	Tightening torque	Flare dimension (A) (Unit: mm)		Flare shape
		Min.	Max.	
Ø 6.4	14.2-17.2 N.m (144-176 kgf.cm)	8.3	8.3	
Ø 9.5	32.7-39.9 N.m (333-407 kgf.cm)	12.4	12.4	
Ø 12.7	49.5-60.3 N.m (504-616 kgf.cm)	15.4	15.8	
Ø 15.9	61.8-75.4 N.m (630-770 kgf.cm)	18.6	19	
Ø 19.1	97.2-118.6 N.m (990-1210 kgf.cm)	22.9	23.3	
Ø 22	109.5-133.7 N.m (1117-1364 kgf.cm)	27	27.3	

Fig. 6.5

- Remove the flaring tool and flare form, then inspect the end of the pipe for cracks and even flaring.

Step 4: Connect pipes

Connect the copper pipes to the indoor unit first, then connect it to the outdoor unit. You should first connect the low-pressure pipe, then the high-pressure pipe.

- When connecting the flare nuts, apply a thin coat of refrigeration oil to the flared ends of the pipes.
- Align the center of the two pipes that you will connect.

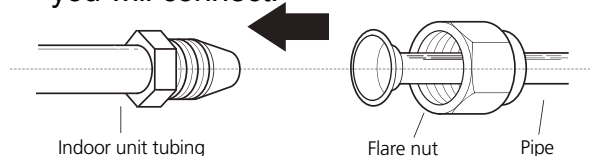


Fig. 6.6

- Tighten the flare nut as tightly as possible by hand.
- Using a spanner, grip the nut on the unit tubing.
- While firmly gripping the nut, use a torque wrench to tighten the flare nut according to the torque values in table 7.1.

NOTE: Use both a spanner and a torque wrench when connecting or disconnecting pipes to/from the unit.

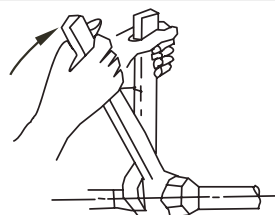


Fig. 6.7

CAUTION

- Ensure to wrap insulation around the piping. Direct contact with the bare piping may result in burns or frostbite.
- Make sure the pipe is properly connected. Over tightening may damage the bell mouth and under tightening may lead to leakage.

NOTE ON MINIMUM BEND RADIUS

Carefully bend the tubing in the middle according to the diagram below. **DO NOT** bend the tubing more than 90° or more than 3 times.

Bend the pipe with thumb

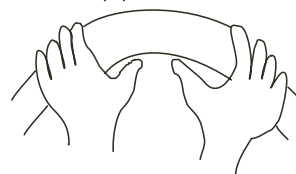


Fig. 6.8

min-radius 10cm (3.9")

- After connecting the copper pipes to the indoor unit, wrap the power cable, signal cable and the piping together with binding tape.

NOTE: DO NOT intertwine signal cable with other wires. While bundling these items together, do not intertwine or cross the signal cable with any other wiring.

- Thread this pipeline through the wall and connect it to the outdoor unit.
- Insulate all the piping, including the valves of the outdoor unit.
- Open the stop valves of the outdoor unit to start the flow of the refrigerant between the indoor and outdoor unit.

CAUTION

Check to make sure there is no refrigerant leak after completing the installation work. If there is a refrigerant leak, ventilate the area immediately and evacuate the system (refer to the Air Evacuation section of this manual).

7. WIRING

7.1 Safety Precautions

WARNING

- Be sure to disconnect the power supply before working on the unit.
- All electrical wiring must be done according to local and national regulations.
- Electrical wiring must be done by a qualified technician. Improper connections may cause electrical malfunction, injury and fire.
- An independent circuit and single outlet must be used for this unit. **DO NOT** plug another appliance or charger into the same outlet. If the electrical circuit capacity is not enough or there is a defect in the electrical work, it can lead to shock, fire, unit and property damage.
- Connect the power cable to the terminals and fasten it with a clamp. An insecure connection may cause fire.
- Make sure that all wiring is done correctly and the control board cover is properly installed. Failure to do so can cause overheating at the connection points, fire, and electrical shock.
- Ensure that main supply connection is made through a switch that disconnects all poles, with contact gap of a least 3mm (0.118”).
- **DO NOT** modify the length of the power cord or use an extension cord.

CAUTION

- Connect the outdoor wires before connecting the indoor wires.
- Make sure you ground the unit. The grounding wire should be away from gas pipes, water pipes, lightning rods, telephone or other grounding wires. Improper grounding may cause electrical shock.
- **DO NOT** connect the unit with the power source until all wiring and piping is completed.
- Make sure that you do not cross your electrical wiring with your signal wiring, as this can cause distortion and interference.

Follow these instructions to prevent distortion when the compressor starts:

- The unit must be connected to the main outlet. Normally, the power supply must have a low output impedance of 32 ohms.
- No other equipment should be connected to the same power circuit.
- The unit's power information can be found on the rating sticker on the product.

7.2 Outdoor Unit Wiring

WARNING

Before performing any electrical or wiring work, turn off the main power to the system.

1. Prepare the cable for connection
 - a. You must first choose the right cable size before preparing it for connection. Be sure to use H07RN-F cables.

7. WIRING

Table 7.1: Other Regions

Rated Current of Appliance (A)	Nominal Cross-Sectional Area (mm ²)
≤6	0.75
6 - 10	1
10 - 16	1.5
16 - 25	2.5
25- 32	4
32 - 45	6

- b. Using wire strippers, strip the rubber jacket from both ends of signal cable to reveal about 15cm (5.9") of the wires inside.
- c. Strip the insulation from the ends of the wires.
- d. Using a wire crimper, crimp u-lugs on the ends of the wires.

NOTE: While connecting the wires, please strictly follow the wiring diagram (found inside the electrical box cover).

2. Remove the electric cover of the outdoor unit. If there is no cover on the outdoor unit, disassemble the bolts from the maintenance board and remove the protection board. (See Fig. 8.1)

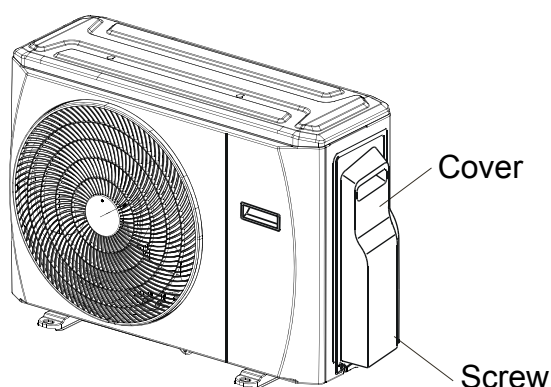


Fig. 7.1

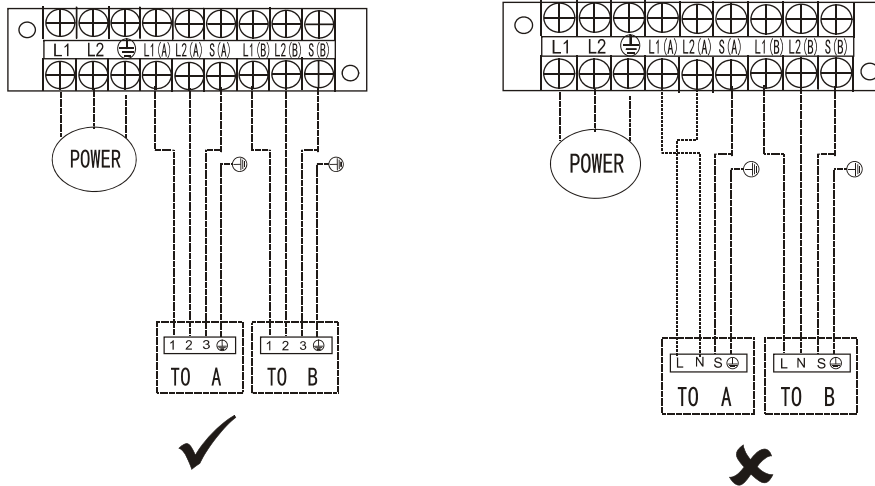
3. Connect the u-lugs to the terminals. Match the wire colors/labels with the labels on the terminal block, and firmly screw the u-lug of each wire to its corresponding terminal.
4. Clamp down the cable with designated cable clamp.
5. Insulate unused wires with electrical tape. Keep them away from any electrical or metal parts.
6. Reinstall the cover of the electric control box.

7. WIRING

7.3 Wiring Figure

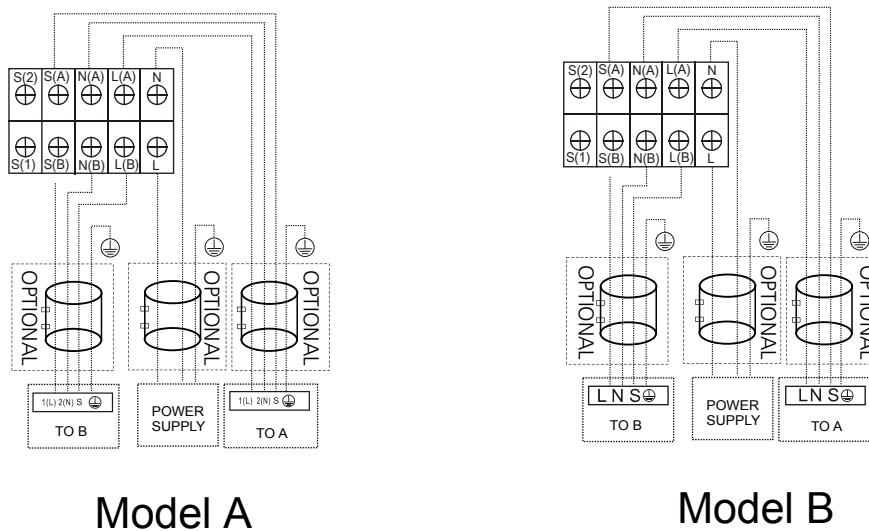
! CAUTION

Connect the connective cables to the terminals, as identified, with their matching numbers on the terminal block of the indoor and outdoor units. For example, in the models shown in the following diagram, Terminal L1(A) of the outdoor unit must connect with terminal 1 on the indoor unit A.



NOTE: Refer to the following figures if end-users wish to perform their own wiring. Run the main power cord through the lower line-outlet of the cord clamp.

One-two models:



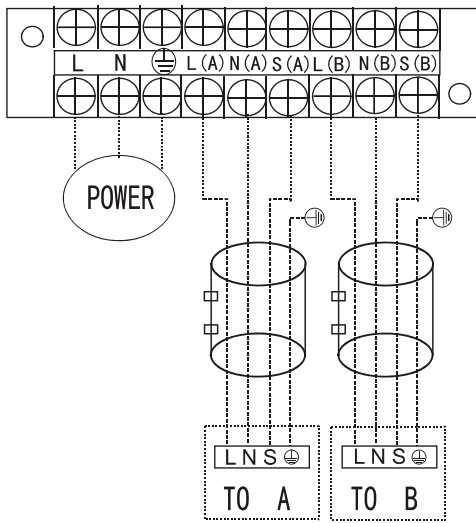
Model A

Model B

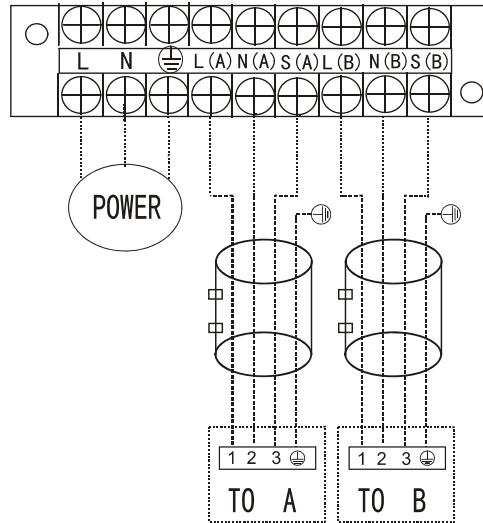
 Magnetic ring (not supplied, optional part)
(Used to hitch to the connective cable of indoor and outdoor units after installation.)

7. WIRING

One-two models:



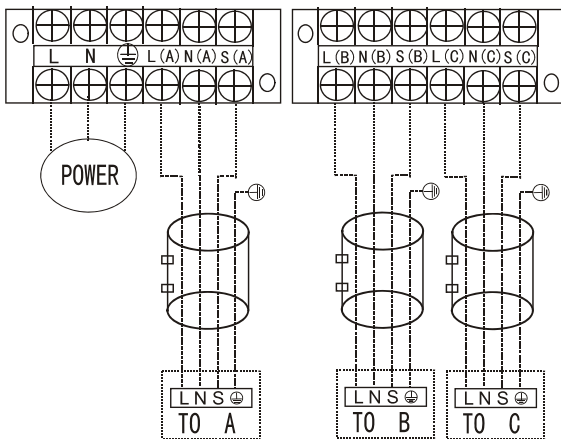
Model C



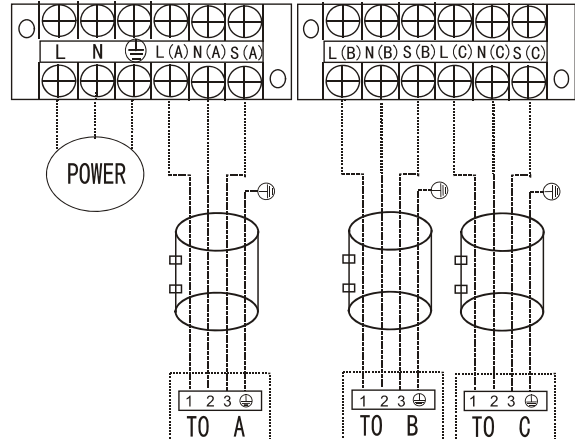
Model D

NOTE: Please refer to the following figures if end-users wish to perform their own wiring.

One-three models:

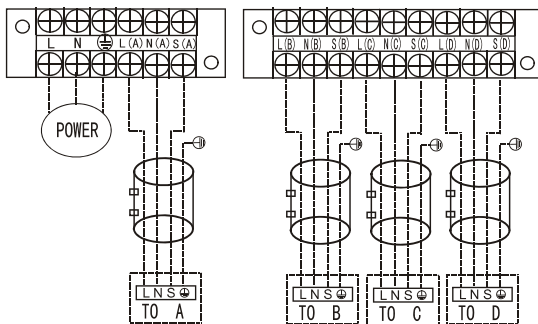


Model A

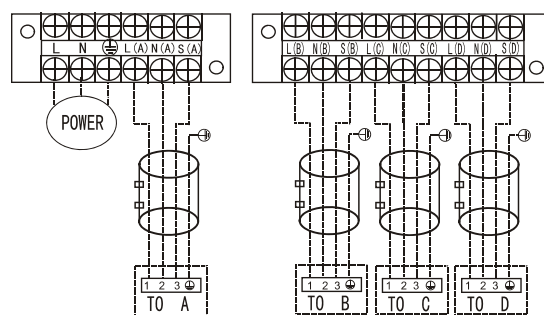


Model B

One-four models:



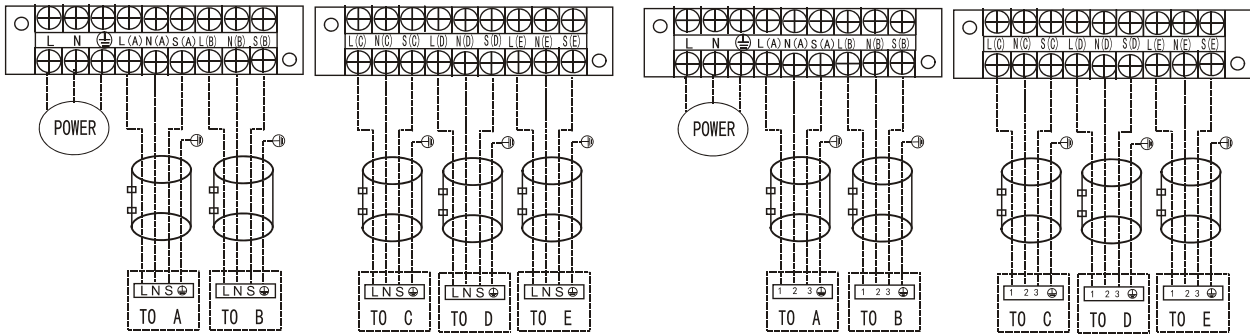
Model A



Model B

7. WIRING

One-five models:



Model A

Model B

! CAUTION

After confirmation of the above conditions, follow these guidelines when performing wiring:

- Always have an individual power circuit specifically for the air conditioner. Always follow the circuit diagram posted on the inside of the control cover.
- Screws fastening the wiring in the casing of electrical fittings may come loose during transportation. Because loose screws may cause wire burn-out, check that the screws are tightly fastened.
- Check the specifications for the power source.
- Confirm that electrical capacity is sufficient.
- Confirm that starting voltage is maintained at more than 90 percent of the rated voltage marked on the name plate.
- Confirm that the cable thickness is as specified in the power source specifications.
- Always install an earth leakage circuit breaker in wet or moist areas.
- The following can be caused by a drop in voltage: vibration of a magnetic switch, damaging the contact point, broken fuses, and disturbance of normal functioning.
- Disconnection from a power supply must be incorporated into the fixed wiring. It must have an air gap contact separation of at least 3mm in each active (phase) conductors.
- Before accessing terminals, all supply circuits must be disconnected.

NOTE OF FUSE SPECIFICATIONS:

(applicable to units adopt R32 refrigerant only.)

1. The specification of outdoor unit fuse is T20A/250VAC (for <24000Btu/h unit), T30A/250VAC (for >24000Btu/h unit)
2. The fuse is made of ceramic.

8. AIR EVACUATION

8.1 Safety Precautions

! CAUTION

- Use a vacuum pump with a gauge reading lower than -0.1MPa and an air discharge capacity above $40\text{L}/\text{min}$.
- The outdoor unit does not need to be vacuumed. **DO NOT** open the outdoor unit's gas and liquid stop valves.
- Ensure that the Compound Meter reads -0.1MPa or below after 2 hours. If after three hours the gauge reading is still above -0.1MPa , check if there is a gas leak or water inside the pipe. If there is no leak, perform another evacuation for 1 or 2 hours.
- **DO NOT** use refrigerant gas to evacuate the system.

8.2 Evacuation Instructions

Before using a manifold gauge and a vacuum pump, read their operation manuals to make sure you know how to use them properly.

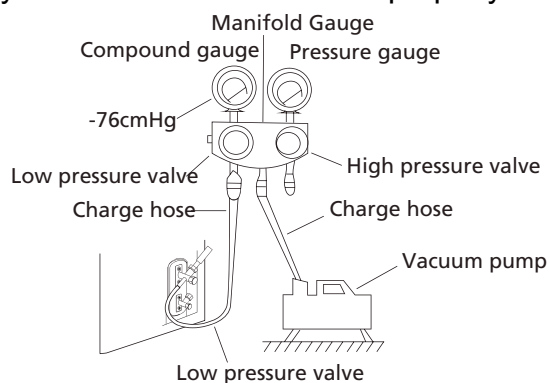


Fig. 8.1

1. Connect the manifold gauge's charge hose to the service port on the outdoor unit's low pressure valve.
2. Connect the manifold gauge's charge hose from the to the vacuum pump.
3. Open the Low Pressure side of the manifold gauge. Keep the High Pressure side closed.
4. Turn on the vacuum pump to evacuate the system.
5. Run the vacuum for at least 15 minutes, or until the Compound Meter reads -76cmHG ($-1 \times 10^5\text{Pa}$).
6. Close the manifold gauge's Low Pressure valve and turn off the vacuum pump.
7. Wait for 5 minutes, then check that there has been no change in system pressure.

NOTE: If there is no change in system pressure, unscrew the cap from the packed valve (high pressure valve). If there is a change in system pressure, there may be a gas leak.

8. Insert hexagonal wrench into the packed valve (high pressure valve) and open the valve by turning the wrench $1/4$ counterclockwise. Listen for gas to exit the system, then close the valve after 5 seconds.

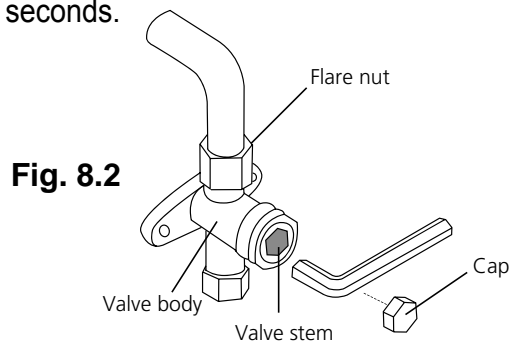


Fig. 8.2

9. Watch the Pressure Gauge for one minute to make sure that there is no change in pressure. It should read slightly higher than the atmospheric pressure.
10. Remove the charge hose from the service port.
11. Using hexagonal wrench, fully open both the high pressure and low pressure valves.

8.3 OPEN VALVE STEMS GENTLY

When opening the valve stems, turn the hexagonal wrench until it hits against the stopper. **DO NOT** try to force the valve to open further.

12. Tighten valve caps by hand, then tighten it using the proper tool.
13. If the outdoor unit uses all vacuum valves, and the vacuum position is at the main valve, the system is not connected with the indoor unit. The valve must be tightened with a screw nut. Check for gas leaks before operation to prevent leakage.

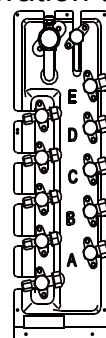


Fig. 8.3

8. AIR EVACUATION

8.4 Note On Adding Refrigerant

! CAUTION

- Refrigerant charging must be performed after wiring, vacuuming, and the leak testing.
- **DO NOT** exceed the maximum allowable quantity of refrigerant or overcharge the system. Doing so can damage the unit or impact its functioning.
- Charging with unsuitable substances may cause explosions or accidents. Ensure that the appropriate refrigerant is used.
- Refrigerant containers must be opened slowly. Always use protective gear when charging the system.
- **DO NOT** mix refrigerants types.

N=2(one-twin models), N=3(one-three models), N=4(one-four models), N=5(one-five models). Depending on the length of connective piping or the pressure of the evacuated system, you may need to add refrigerant. Refer to table below for refrigerant amounts to be added:

ADDITIONAL REFRIGERANT PER PIPE LENGTH

Connective Pipe Length	Air Purging Method	Additional Refrigerant (R410A/R32)	
Pre-charge pipe length(ft/m) (Standard pipe lengthxN)	Vacuum Pump	N/A	
More than (Standard pipe lengthxN)ft/m	Vacuum Pump	Liquid Side: Ø 6.35 (Ø 1/4") (Total pipe length - standard pipe lengthxN) x15g/m / (Total pipe length - standard pipe lengthxN) x12g/m	Liquid Side: Ø 9.52 (Ø 3/8") (Total pipe length - standard pipe lengthxN) x30g/m / (Total pipe length - standard pipe lengthxN) x24g/m

- Note:** 1) Please use tools for R410A/R32 system respectively;
2) The standard pipe length is 7.5m (24.6'). When the pipe length is over 7.5m, the additional refrigerant should be added according to the piping length.

8.5 Safety And Leakage Check

Electrical safety check

Perform the electrical safety check after completing installation. Cover the following areas:

1. Insulated resistance
The insulated resistance must be more than 2MΩ.
2. Grounding work
After finishing grounding work, measure the grounding resistance by visual detection and using the grounding resistance tester.
Make sure the grounding resistance is less than 4Ω.
3. Electrical leakage check (performing during test while unit is on)
During a test operation after completed installation, use the electroprobe and multimeter to perform an electrical leakage check. Turn off the unit immediately if leakage happens. Try and evaluate different solutions until the unit operates properly.

Gas leak check

1. Soap water method:
Apply a soap-water solution or a liquid neutral detergent on the indoor unit connection or outdoor unit connections with a soft brush to check for leakage of the connecting points of the piping. If bubbles emerge, the pipes are experiencing leakage.
2. Leak detector
Use the leak detector to check for leakage.

NOTE: The illustration is for example purposes only. The actual order of A, B, C, D, and E on the machine may be slightly different from the unit you purchased but the general shape will remain the same.

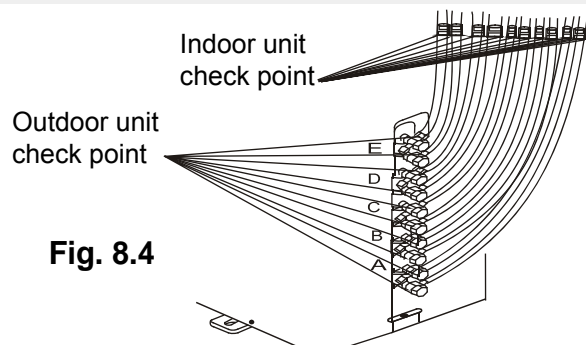


Fig. 8.4

A, B, C, D are points for the one-four type.
A, B, C, D, and E are points for the one-five type.

9. TEST RUN

9.1 Before Test Run

A test run must be performed after the entire system has been completely installed. Confirm the following points before performing the test:

- a) Indoor and outdoor units are properly installed.
- b) Piping and wiring are properly connected.
- c) No obstacles near the inlet and outlet of the unit that might cause poor performance or product malfunction.
- d) Refrigeration system does not leak.
- e) Drainage system is unimpeded and draining to a safe location.
- f) Heating insulation is properly installed.
- g) Grounding wires are properly connected.
- h) Length of the piping and additional refrigerant stow capacity have been recorded.
- i) Power voltage is the correct voltage for the air conditioner.

- f. Check to see that the drainage system is unimpeded and draining smoothly.
 - g. Ensure there is no vibration or abnormal noise during operation.
5. For the Outdoor Unit
- a. Check to see if the refrigeration system is leaking.
 - b. Make sure there is no vibration or abnormal noise during operation.
 - c. Ensure the wind, noise, and water generated by the unit do not disturb your neighbors or pose a safety hazard.

NOTE: If the unit malfunctions or does not operate according to your expectations, please refer to the Troubleshooting section of the Owner's Manual before calling customer service.

CAUTION

Failure to perform the test run may result in unit damage, property damage or personal injury.

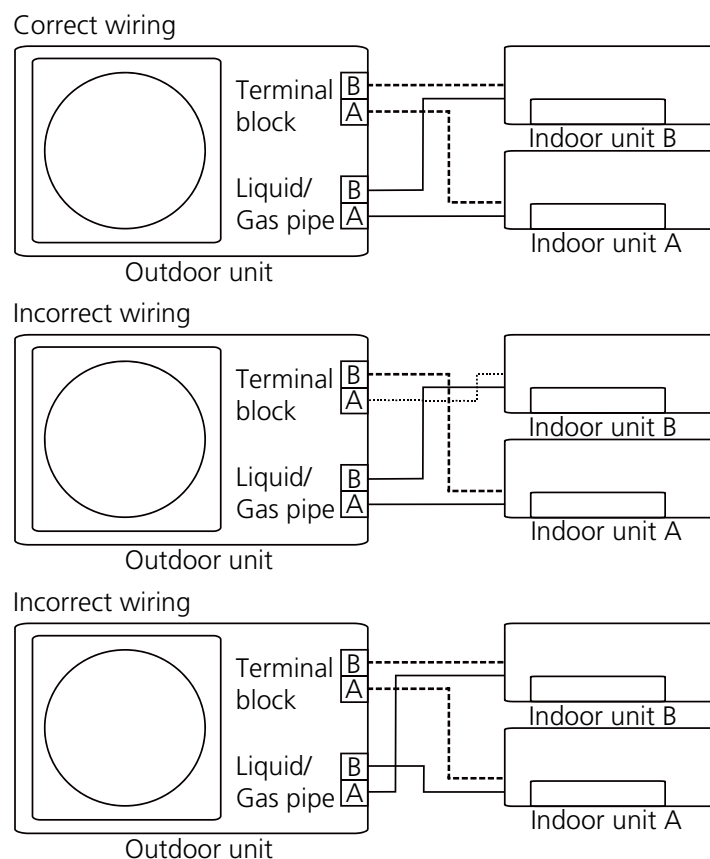
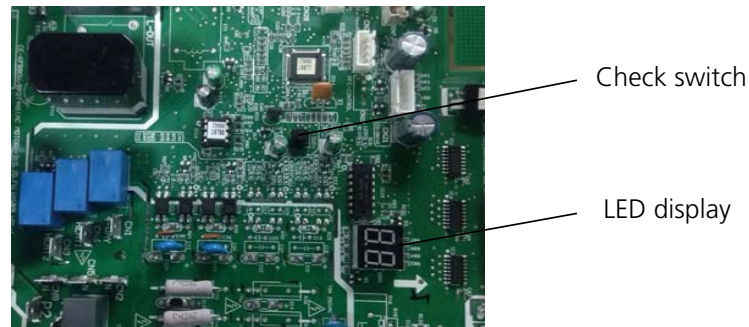
9.2.10 Test Run Instructions

1. Open both the liquid and gas stop valves.
2. Turn on the main power switch and allow the unit to warm up.
3. Set the air conditioner to COOL mode.
4. For the Indoor Unit
 - a. Ensure the remote control and its buttons work properly.
 - b. Ensure the louvers move properly and can be changed using the remote control.
 - c. Double check to see if the room temperature is registered correctly.
 - d. Ensure the indicators on the remote control and the display panel on the indoor unit work properly.
 - e. Ensure the manual buttons on the indoor unit works properly.

10. FUNCTION OF AUTOMATIC WIRING/PIPING CORRECTION

10.1 Automatic Wiring/Piping Correction Function

More recent models now feature automatic correction of wiring/piping errors. Press the "check switch" on the outdoor unit PCB board for 5 seconds until the LED displays "CE", indicating that this function is working. Approximately 5-10 minutes after the switch is pressed, the "CE" disappears, meaning that the wiring/piping error is corrected and all wiring/piping is properly connected.



10.2 How To Activate This Function

1. Check that outside temperature is above 5 °C.
(This function does not work when outside temperature is not above 5 °C)
2. Check that the stop valves of the liquid pipe and gas pipe are open.
3. Turn on the breaker and wait at least 2 minutes.
4. Press the check switch on the outdoor PCB board unit LED display "CE".

11. INFORMATION SERVICING

11.1 CHECKS TO THE AREA

Prior to beginning work on systems containing flammable refrigerants, safety checks are necessary to ensure that the risk of ignition is minimised. For repair to the refrigerating system, the following precautions shall be complied with prior to conducting work on the system.

11.2 WORK PROCEDURE

Works shall be undertaken under a controlled procedure so as to minimise the risk of a flammable gas or vapour being present while the work is being performed.

11.3 GENERAL WORK AREA

All maintenance staff and others working in the local area shall be instructed on the nature of work being carried out. Work in confined spaces shall be avoided. The area around the work space shall be sectioned off. Ensure that the conditions within the area have been made safe by control of flammable material.

11.4 CHECKING FOR PRESENCE OF REFRIGERANT

The area shall be checked with an appropriate refrigerant detector prior to and during work, to ensure the technician is aware of potentially flammable atmospheres. Ensure that the leak detection equipment being used is suitable for use with flammable refrigerants, i.e. no sparking, adequately sealed or intrinsically safe.

11.5 PRESENCE OF FIRE EXTINGUISHER

If any hot work is to be conducted on the refrigeration equipment or any associated parts, appropriate fire extinguishing equipment shall be available to hand. Have a dry power or CO₂ fire extinguisher adjacent to the charging area.

11.6 NO IGNITION SOURCES

No person carrying out work in relation to a refrigeration system which involves exposing any pipe work that contains or has contained flammable refrigerant shall use any sources of ignition in such a manner that it may lead to the risk of fire or explosion. All possible ignition sources, including cigarette smoking, should be kept sufficiently far away from the site of installation, repairing, removing and disposal, during which flammable refrigerant can possibly be released to the surrounding space. Prior to work taking place, the area around the equipment is to be surveyed to make sure that there are no flammable hazards or ignition risks. "NO SMOKING" signs shall be displayed.

11.7 VENTILATED AREA

Ensure that the area is in the open or that it is adequately ventilated before breaking into the system or conducting any hot work. A degree of ventilation shall continue during the period that the work is carried out. The ventilation should safely disperse any released refrigerant and preferably expel it externally into the atmosphere.

11.8 CHECKS TO THE REFRIGERATION EQUIPMENT

Where electrical components are being changed, they shall be fit for the purpose and to the correct specification. At all times the manufacturer's maintenance and service guidelines shall be followed. If in doubt consult the manufacturer's technical department for assistance. The following checks shall be applied to installations using flammable refrigerants:

11. INFORMATION SERVICING

- the charge size is in accordance with the room size within which the refrigerant containing parts are installed;
- the ventilation machinery and outlets are operating adequately and are not obstructed;
- if an indirect refrigerating circuit is being used, the secondary circuits shall be checked for the presence of refrigerant; marking to the equipment continues to be visible and legible.
- marking and signs that are illegible shall be corrected;
- refrigeration pipe or components are installed in a position where they are unlikely to be exposed to any substance which may corrode refrigerant containing components, unless the components are constructed of materials which are inherently resistant to being corroded or are suitably protected against being so corroded.

11.9 CHECKS TO ELECTRICAL DEVICES

Repair and maintenance to electrical components shall include initial safety checks and component inspection procedures. If a fault exists that could compromise safety, then no electrical supply shall be connected to the circuit until it is satisfactorily dealt with. If the fault cannot be corrected immediately but it is necessary to continue operation, and adequate temporary solution shall be used. This shall be reported to the owner of the equipment so all parties are advised.

Initial safety checks shall include:

- that capacitors are discharged: this shall be done in a safe manner to avoid possibility of sparking
- that there no live electrical components and wiring are exposed while charging, recovering or purging the system;
- that there is continuity of earth bonding.

11.10 REPAIRS TO SEALED COMPONENTS

11.1 During repairs to sealed components, all electrical supplies shall be disconnected from the equipment being worked upon prior to any removal of sealed covers, etc. If it is absolutely necessary to have an electrical supply to equipment during servicing, then a permanently operating form of leak detection shall be located at the most critical point to warn of a potentially hazardous situation.

11.2 Particular attention shall be paid to the following to ensure that by working on electrical components, the casing is not altered in such a way that the level of protection is affected. This shall include damage to cables, excessive number of connections, terminals not made to original specification, damage to seals, incorrect fitting of glands, etc.

- Ensure that apparatus is mounted securely.
- Ensure that seals or sealing materials have not degraded such that they no longer serve the purpose of preventing the ingress of flammable atmospheres. Replacement parts shall be in accordance with the manufacturer s specifications.

NOTE: The use of silicon sealant may inhibit the effectiveness of some types of leak detection equipment. Intrinsically safe components do not have to be isolated prior to working on them.

11.11 REPAI TO INTRINSICALLY SAFE COMPONENTS

Do not apply any permanent inductive or capacitance loads to the circuit without ensuring that this will not exceed the permissible voltage and current permitted for the equipment in use. Intrinsically safe components are the only types that can be worked on while live in the presence of a flammable atmosphere. The test apparatus shall be at the correct rating. Replace components only with parts specified by the manufacturer. Other parts may result in the ignition of refrigerant in the atmosphere from a leak.

11. INFORMATION SERVICING

11.12 CABLING

Check that cabling will not be subject to wear, corrosion, excessive pressure, vibration, sharp edges or any other adverse environmental effects. The check shall also take into account the effects of aging or continual vibration from sources such as compressors or fans.

11.13 DETECTION OF FLAMMABLE REFRIGERANTS

Under no circumstances shall potential sources of ignition be used in the searching for or detection of refrigerant leaks. A halide torch (or any other detector using a naked flame) shall not be used.

11.14 LEAK DETECTION METHODS

The following leak detection methods are deemed acceptable for systems containing flammable refrigerants. Electronic leak detectors shall be used to detect flammable refrigerants, but the sensitivity may not be adequate, or may need re-calibration. (Detection equipment shall be calibrated in a refrigerant-free area.) Ensure that the detector is not a potential source of ignition and is suitable for the refrigerant. Leak detection equipment shall be set at a percentage of the LFL of the refrigerant and shall be calibrated to the refrigerant employed and the appropriate percentage of gas (25% maximum) is confirmed. Leak detection fluids are suitable for use with most refrigerants but the use of detergents containing chlorine shall be avoided as the chlorine may react with the refrigerant and corrode the copper pipe-work. If a leak is suspected, all naked flames shall be removed or extinguished. If a leakage of refrigerant is found which requires brazing, all of the refrigerant shall be recovered from the system, or isolated (by means of shut off valves) in a part of the system remote from the leak. Oxygen free nitrogen (OFN) shall then be purged through the system both before and during the brazing process.

11.15 REMOVAL AND EVACUATION

When breaking into the refrigerant circuit to make repairs or for any other purpose conventional procedures shall be used. However, it is important that best practice is followed since flammability is a consideration. The following procedure shall be adhered to:

- remove refrigerant;
- purge the circuit with inert gas;
- evacuate;
- purge again with inert gas;
 - open the circuit by cutting or brazing.

The refrigerant charge shall be recovered into the correct recovery cylinders. The system shall be flushed with OFN to render the unit safe. This process may need to be repeated several times.

Compressed air or oxygen shall not be used for this task.

Flushing shall be achieved by breaking the vacuum in the system with OFN and continuing to fill until the working pressure is achieved, then venting to atmosphere, and finally pulling down to a vacuum. This process shall be repeated until no refrigerant is within the system.

When the final OFN charge is used, the system shall be vented down to atmospheric pressure to enable work to take place. This operation is absolutely vital if brazing operations on the pipe-work are to take place. Ensure that the outlet for the vacuum pump is not closed to any ignition sources and there is ventilation available.

11. INFORMATION SERVICING

11.16 CHARGING PROCEDURES

In addition to conventional charging procedures, the following requirements shall be followed:

- Ensure that contamination of different refrigerants does not occur when using charging equipment. Hoses or lines shall be as short as possible to minimize the amount of refrigerant contained in them.
- Cylinders shall be kept upright.
- Ensure that the refrigeration system is earthed prior to charging the system with refrigerant.
- Label the system when charging is complete (if not already).
- Extreme care shall be taken not to overfill the refrigeration system.
- Prior to recharging the system it shall be pressure tested with OFN. The system shall be leak tested on completion of charging but prior to commissioning. A follow up leak test

11.17 DECOMMISSIONING

Before carrying out this procedure, it is essential that the technician is completely familiar with the equipment and all its detail. It is recommended good practice that all refrigerants are recovered safely. Prior to the task being carried out, an oil and refrigerant sample shall be taken.

In case analysis is required prior to re-use of reclaimed refrigerant. It is essential that electrical power is available before the task is commenced.

- a) Become familiar with the equipment and its operation.
- b) Isolate system electrically
- c) Before attempting the procedure ensure that:
 - mechanical handling equipment is available, if required, for handling refrigerant cylinders;
 - all personal protective equipment is available and being used correctly;
 - the recovery process is supervised at all times by a competent person;
 - recovery equipment and cylinders conform to the appropriate standards.
- d) Pump down refrigerant system, if possible.
- e) If a vacuum is not possible, make a manifold so that refrigerant can be removed from various parts of the system.
- f) Make sure that cylinder is situated on the scales before recovery takes place.
- g) Start the recovery machine and operate in accordance with manufacturer's instructions.
- h) Do not overfill cylinders. (No more than 80% volume liquid charge).
- i) Do not exceed the maximum working pressure of the cylinder, even temporarily.
- j) When the cylinders have been filled correctly and the process completed, make sure that the cylinders and the equipment are removed from site promptly and all isolation valves on the equipment are closed off.
- k) Recovered refrigerant shall not be charged into another refrigeration system unless it has been cleaned and checked.

11.18 LABELLING

Equipment shall be labelled stating that it has been de-commissioned and emptied of refrigerant. The label shall be dated and signed. Ensure that there are labels on the equipment stating the equipment contains flammable refrigerant.

11. INFORMATION SERVICING

11.19 RECOVERY

- When removing refrigerant from a system, either for service or decommissioning, it is recommended good practice that all refrigerants are removed safely.
- When transferring refrigerant into cylinders, ensure that only appropriate refrigerant recovery cylinders are employed. Ensure that the correct numbers of cylinders for holding the total system charge are available. All cylinders to be used are designated for the recovered refrigerant and labelled for that refrigerant (i.e special cylinders for the recovery of refrigerant). Cylinders shall be complete with pressure relief valve and associated shut-off valves in good working order.
- Empty recovery cylinders are evacuated and, if possible, cooled before recovery occurs.
- The recovery equipment shall be in good working order with a set of instructions concerning the equipment that is at hand and shall be suitable for the recovery of flammable refrigerants. In addition, a set of calibrated weighing scales shall be available and in good working order.
- Hoses shall be complete with leak-free disconnect couplings and in good condition. Before using the recovery machine, check that it is in satisfactory working order, has been properly maintained and that any associated electrical components are sealed to prevent ignition in the event of a refrigerant release. Consult manufacturer if in doubt.
- The recovered refrigerant shall be returned to the refrigerant supplier in the correct recovery cylinder, and the relevant Waste Transfer Note arranged. Do not mix refrigerants in recovery units and especially not in cylinders.
- If compressors or compressor oils are to be removed, ensure that they have been evacuated to an acceptable level to make certain that flammable refrigerant does not remain within the lubricant. The evacuation process shall be carried out prior to retraining the compressor to the suppliers. Only electric heating to the compressor body shall be employed to accelerate this process. When oil is drained from a system, it shall be carried out safely.

11.20 TRANSPORTATION, MARKING AND STORAGE FOR UNITS

1. Transport of equipment containing flammable refrigerants
Compliance with the transport regulations
2. Marking of equipment using signs
Compliance with local regulations
3. Disposal of equipment using flammable refrigerants
Compliance with national regulations
4. Storage of equipment/appliances
The storage of equipment should be in accordance with the manufacturer's instructions.
5. Storage of packed (unsold) equipment
Storage package protection should be constructed such that mechanical damage to the equipment inside the package will not cause a leak of the refrigerant charge.
The maximum number of pieces of equipment permitted to be stored together will be determined by local regulations.

Se ha determinado que este producto cumple la Directiva de Baja Tensión (2014/35/CE) y la Directiva de Compatibilidad Electromagnética (2014/30/EC) de la Unión Europea.



Eliminación correcta de este producto (desecho de equipos eléctricos y electrónicos)

(Cuando se usa este aparato de aire acondicionado en los países europeos, hay que seguir estas normas)

- Esta marca que se muestra en el producto o en su documentación indica que los residuos de aparatos eléctricos (WEEE en la directiva 2012/19/UE) no deben mezclarse con los residuos domésticos normales. Está prohibido desechar este aparato con los residuos domésticos. Para su eliminación hay varias posibilidades:
 1. El municipio ha establecido sistemas de recogida en los que se pueden desechar los residuos electrónicos de forma gratuita para el usuario.
 2. En la compra de un nuevo producto, el minorista recogerá el producto usado de forma gratuita como mínimo.
 3. El fabricante recogerá el aparato para su eliminación de forma gratuita para el usuario como mínimo.
 4. Dado que los productos usados contienen recursos valiosos, se pueden vender a comerciantes de chatarra de metal. Tirar de forma incontrolada residuos en bosques y en el campo pone en peligro la salud de las personas cuando las sustancias peligrosas se filtran a las aguas subterráneas y de esta forma llegan a la cadena alimentaria.

Este producto contiene gases fluorados contemplados por el Protocolo de Kyoto

Nombre químico del gas	R410A / R32
Potencial de calentamiento global (GWP) del gas	2088/675

⚠ PRECAUCIÓN

1. Pegue la etiqueta de refrigerante adjunta al lado de la ubicación de carga y/o recuperación.
2. Escriba claramente la cantidad de refrigerante cargado en la etiqueta del refrigerante con tinta indeleble.
3. Evite la emisión del gas fluorado contenido. Asegúrese de que el gas fluorado nunca se expulse a la atmósfera durante la instalación, la reparación o la eliminación. Cuando se detecte cualquier fuga del gas fluorado contenido, la fuga deberá detenerse y repararse lo antes posible.
4. Solo personal de servicio calificado tiene acceso y servicio a este producto.
5. Cualquier manipulación del gas fluorado en este producto, por ejemplo al mover el producto o recargar el gas, deberá cumplir con el Reglamento (CE) n.º 517/2014 sobre ciertos gases fluorados de efecto invernadero y cualquier legislación local pertinente.
6. Si tiene alguna pregunta, póngase en contacto con distribuidores, instaladores, etc.



Precaución: **Riesgo de incendio solo para refrigerante R32/R290**

El fabricante se reserva el derecho de cambiar las especificaciones del producto sin previo aviso.

CONTENIDO

1. PREPARACIÓN DE LA INSTALACIÓN	3
2. RESUMEN DE LA INSTALACIÓN	7
3. DIAGRAMA DE LA INSTALACIÓN	8
4. ESPECIFICACIONES	9
5. INSTALACIÓN DE LA UNIDAD EXTERIOR	10
5.1 Instrucciones de instalación de la unidad exterior	10
5.2 Instalación del conector de desagüe	12
5.3 Notas sobre la perforación de orificios en la pared	12
5.4 Notas sobre la unidad interior 24K	12
6. CONEXIÓN DE LA TUBERÍA DE REFRIGERANTE	13
7. CABLEADO	15
7.1 Precauciones de seguridad	15
7.2 Cableado de la unidad exterior	15
7.3 Figura de cableado	17
8. EVACUACIÓN DE AIRE	20
8.2 Instrucciones de evacuación	20
8.4 Nota sobre la adición de refrigerante	21
9. PRUEBA DE FUNCIONAMIENTO	22
10. FUNCIÓN DE CORRECCIÓN AUTOMÁTICA DE CABLES/TUBERÍAS	23
11. INFORMACIÓN PARA EL SERVICIO TÉCNICO	24

Tipo	Nombre del modelo	Dimensión (ODU)	Voltaje nominal y Hz
Unidad exterior	38QUS014DS2*/38QUS014D8S2* 38QUS018DS2*/38QUS018D8S2*	800x333x554	220-240V~ 50Hz
	38QUS021DS3*/38QUS021D8S3* 38QUS027DS3*/38QUS027D8S3*	845x363x702	
	38QUS028DS4*/38QUS028D8S4* 38QUS036DS4*/38QUS036D8S4* 38QUS042DS5*/38QUS042D8S5*	946x410x810	
	38QUS014D8S2-1/38QUS018D8S2-2 38QUS021D8S3-1/38QUS027D8S3-2	805x330x554 890x342x673	
	42QHC007D8S*/42QHC009D8S*	730x192x291	
	42QHC012D8S* 42QHC018D8S* 42QHC024D8S*	812x192x300 973x218x319 1082x225x338	
	42QHB09E8S* 42QHB12E8S* 42QHB18D8S* 42QHB24D8S*	722x187x290 802x189x297 965x215x319 1080x226x335	
	42QHG007D8S*/42QHG009D8S* 42QHG012D8S* 42QHG018D8S* 42QHG024D8S*	726x210x291 835x208x295 969x241x320 1083x244x336	
	42QHE07D8SH*/42QHE09D8SH*/42QHE12D8SH* 42QHE18D8SH* 42QHE24D8SH*	795x225x295 965x239x319 1140x370x275	
	Tipo de conducto	42QSS007D8S*/42QSS009D8S*/42QSS012D8S* 42QSS018D8S*	
Unidad interior	42QSS024D8S*/42QSS024DS*(R410A Only)	1100x774x249	
Tipo de cassette	42QTD007D8S*/42QTD009D8S*/42QTD012D8S*/42QTD018D8S*	570x570x260	
Unidad interior	42QTD024D8S*/42QTD024DS*(R410A Only)	830x830x205/840x840x245	
Tipo de consola	42QZA012D8S*/42QZA018D8S*	700x600x210	
Unidad interior	42QZL018D8S* 42QZL024D8S*/42QZL024DS*(R410A Only)	1068x675x235 1068x675x235	

1. PREPARACIÓN DE LA INSTALACIÓN

1.1 Precauciones de seguridad

- La instalación, puesta en marcha y mantenimiento de equipos de aire acondicionado puede ser peligrosa debido a las presiones del sistema, componentes eléctricos y ubicación de los equipos (techos, estructuras elevadas, etc.).
- La instalación, puesta en marcha y mantenimiento de este equipo solo debe ser realizada por instaladores y mecánicos de mantenimiento cualificados y con la debida formación.
- Cuando trabaje en el equipo, tenga presentes las precauciones indicadas en los manuales y en las etiquetas y pegatinas adheridas al mismo.
- Siga todos los códigos de seguridad. Use gafas de seguridad y guantes de trabajo. Tenga a mano tela de extinción de incendios y un extintor cuando realice soldaduras. Tenga cuidado en el manejo, manipulación y colocación de equipos voluminosos.
- Lea estas instrucciones cuidadosamente y siga todas las advertencias o precauciones incluidas en el manual y pegadas a la unidad. Consulte las normas de construcción locales y el Código Eléctrico Nacional para saber si hay requisitos especiales.



ADVERTENCIA

Este símbolo indica la posibilidad de daños personales o incluso la muerte.

- **El gas refrigerante es más pesado que el aire y reemplaza al oxígeno. Una fuga masiva podría conducir a la falta de oxígeno, especialmente en los sótanos, y podría suponer un peligro de asfixia con lesiones graves o la muerte.**
- **Cuando el aire acondicionado se instala en un espacio pequeño, realice las mediciones necesarias para asegurarse de que la fuga de refrigerante producida en el lugar no supere el nivel crítico.**
- **Si hay fugas de gas refrigerante durante la instalación, ventile el área inmediatamente.**
El gas refrigerante puede producir un gas tóxico si entra en contacto con el fuego, por ejemplo un calefactor, estufa o cocina. La exposición a este gas podría causar lesiones graves o la muerte.
- **Desconecte de la fuente de alimentación antes de realizar cualquier trabajo eléctrico. Conecte el cable de conexión correctamente.**
Una conexión errónea puede dañar los componentes eléctricos.
- **Utilice los cables especificados para las conexiones eléctricas y conecte los cables firmemente en el bloque de terminales, conectando las secciones de modo que no se ejerza fuerza externa en el terminal.**
- **Asegúrese de proporcionar toma a tierra.**
No conecte las unidades a conductos de gas, tuberías de agua o cables telefónicos. Una toma de tierra incompleta podría causar una descarga eléctrica grave con resultado de lesiones o la muerte.
- **Deseche los materiales de embalaje con seguridad.**
Los materiales de embalaje, como clavos y otras piezas de metal o de madera, pueden producir heridas y otras lesiones. Desgarre y tire las bolsas de embalaje de plástico para que los niños no jueguen con ellas. Los niños que juegan con bolsas de plástico corren riesgo de asfixia.
- **No instale la unidad cerca de concentraciones de gases combustibles o vapores de gas.**
- **Asegúrese de utilizar las piezas de instalación suministradas o especificadas exactamente.**
El uso de otras piezas puede provocar que la unidad tenga pérdidas, fugas de agua, descargas eléctricas, incendios o daños al equipo.
- **Al instalar o cambiar de lugar el sistema, no permita que el aire o cualquier sustancia que no sea el refrigerante especificado (R410A/R32) entre en el ciclo de refrigeración.**
- **Las unidades interiores de tipo conducto y tipo casete deben ser instaladas por personal técnico cualificado y se deben colocar a una altura no inferior a 2,5 m del suelo.**
- **El trabajo eléctrico debe llevarse a cabo de acuerdo con el manual de instalación y los códigos de cableado eléctrico nacionales.**
- **Asegúrese de utilizar un circuito de alimentación dedicado. No comparta nunca la misma toma de corriente con otros aparatos.**

1. PREPARACIÓN DE LA INSTALACIÓN

ADVERTENCIA

- Con el fin de evitar un riesgo debido a la restauración inadvertida del corte térmico, la alimentación de este dispositivo no se debe realizar a través de un equipo de conmutación externo, como un temporizador, ni conectarse a un circuito que se encienda y apague regularmente en las instalaciones.
- Use los cables indicados para la conexión eléctrica con aislante protegido por funda de aislamiento que tenga un régimen de temperatura adecuado.
Los cables incompatibles pueden causar una fuga eléctrica, producción de calor anómala o incendio.
NOTA: La información siguiente es necesarias para las unidades que utilicen el refrigerante R32/R290.
- El aparato deberá almacenarse en una habitación sin fuentes de ignición de funcionamiento continuo. (Por ejemplo: llamas y aparato de gas o un calefactor eléctrico en funcionamiento).
- No perforar ni quemar.
- Tenga en cuenta que los refrigerantes pueden emitir olor
- Se deben seguir las regulaciones nacionales de gas.
- El aparato debe almacenarse en un área bien ventilada donde el tamaño de la habitación corresponda al área de la habitación según lo especificado para el uso.
- El aparato deberá instalarse, utilizarse y almacenarse en una habitación con una superficie mayor que $X \text{ m}^2$; la instalación de tuberías se limitará a un área mínima de $X \text{ m}^2$ (consulte el siguiente formulario).
- El aparato no deberá instalarse en un espacio sin ventilación, si ese espacio tiene un área inferior a $x \text{ m}^2$ (consulte el siguiente formulario). Los espacios donde haya tubos de refrigerante deberán cumplir los reglamentos nacionales de gas.

Modelo (Btu / h)	Cantidad de refrigerante que debe cargarse (kg)	Altura máxima de instalación (m)	Superficie mínima de la habitación (m^2)
≤30 000	≤2,048	1,8 m	4
		0,6 m	35
30 000-48 000	2,048-3,0	1,8 m	8
		0,6 m	80
>48 000	>3,0	1,8 m	9
		0,6 m	80

Nota sobre gases fluorados

- Esta unidad de aire acondicionado contiene gases fluorados. Para obtener información específica sobre el tipo de gas y la cantidad, consulte la etiqueta correspondiente en la propia unidad.
- La instalación, el servicio, el mantenimiento y la reparación de esta unidad deben ser realizados por un técnico certificado.
- La desinstalación y el reciclaje del producto deben ser realizados por un técnico certificado.
- Si el sistema tiene instalado un sistema de detección de fugas, debe comprobarse la existencia de fugas al menos cada 12 meses.
- Cuando se compruebe la existencia de fugas en la unidad, se recomienda encarecidamente realizar un mantenimiento adecuado de todas las comprobaciones.

1. PREPARACIÓN DE LA INSTALACIÓN

PRECAUCIÓN

Este símbolo indica la posibilidad de daños a la propiedad o consecuencias graves.

- Para evitar lesiones personales, tenga cuidado al manejar piezas con bordes afilados.
- No instale las unidades interior o exterior en un lugar con condiciones ambientales especiales.
- No debe instalarse en un lugar que pueda amplificar el nivel de ruido de la unidad o donde el ruido y aire descargado pueda molestar a los vecinos.

ADVERTENCIA

- No modifique nunca esta unidad mediante la eliminación de cualquiera de las protecciones de seguridad ni se salte ninguno de los interruptores de seguridad.
- Con el fin de evitar situaciones de peligro debido al reseteo accidental de la protección térmica, la alimentación eléctrica de este aparato no debe realizarse a través de un dispositivo de conmutación externo, como por ejemplo un temporizador, ni debe ir conectado a un circuito que la compañía eléctrica enciende y apaga regularmente.
- Utilice los cables con aislamiento previstos para la conexión eléctrica que lleven un revestimiento aislante con la homologación de temperatura adecuada.

Los cables no compatibles pueden causar descargas eléctricas, producción de calor anómala o incendios.

PRECAUCIÓN



Este símbolo indica la posibilidad de daños a la propiedad o consecuencias graves.

- Realice el trabajo de desagüe/tuberías de forma segura siguiendo el manual de instalación.
- Unas tuberías de desagüe incorrectas podrían producir fugas de agua y daños a la propiedad.
- No instale el aire acondicionado en los siguientes lugares.
 - Un lugar en el que haya aceite mineral o ácido arsénico.
 - Un lugar en el que se pueda acumular gas corrosivo (por ejemplo, gas de ácido sulfúrico) o gas combustible (por ejemplo, disolvente), o donde se utilicen sustancias volátiles.
 - Un lugar en el que haya equipos que generen campos electromagnéticos o armonía de frecuencia alta.

1. PREPARACIÓN DE LA INSTALACIÓN

1.2 Accesorios

El sistema de aire acondicionado viene con los siguientes accesorios. Utilice todas las piezas y accesorios de instalación para instalar el aparato de aire acondicionado. Una instalación incorrecta puede provocar fugas de agua, descargas eléctricas, incendios o averías del sistema.

Nombre		Forma	Cantidad
Placa de instalación			1
Vaina de expansión de plástico			5-8 (según los modelos)
Tornillo autorroscante A ST3.9X25			5-8 (según los modelos)
Conector de desagüe (algunos modelos)			1
Anillo obturador (algunos modelos)			1
Conjunto de tubería de conexión	Lado líquido	Ø 6,35	Piezas que debe adquirir. Consulte a un técnico cuál es el tamaño adecuado.
		Ø 9,52	
	Lado gaseoso	Ø 9,52	
		Ø 12,7	
Manual del propietario			1
Manual de instalación			1
Conector de transferencia (embalado con la unidad interior o exterior, según los modelos) NOTA: El tamaño de la tubería puede diferir de un aparato a otro. Para adaptarse a los diferentes tamaños de tuberías, a veces las conexiones de las tuberías necesitan que se instale un conector de transferencia en la unidad exterior.			Pieza opcional (una sola pieza/una unidad interior)
Anillo magnético (Acoplar en el cable de conexión entre la unidad interior y la unidad exterior después de la instalación.)			Pieza opcional (1-5 piezas para la unidad exterior, según los modelos)
Anillo de goma de protección del cable (Si la abrazadera de cables no puede sujetar un cable pequeño, envuelva el cable con el anillo de goma de protección del cable [suministrado con accesorios]. A continuación fíjelo con la abrazadera de cables.)			1 (en algunos modelos)

Accesorios opcionales

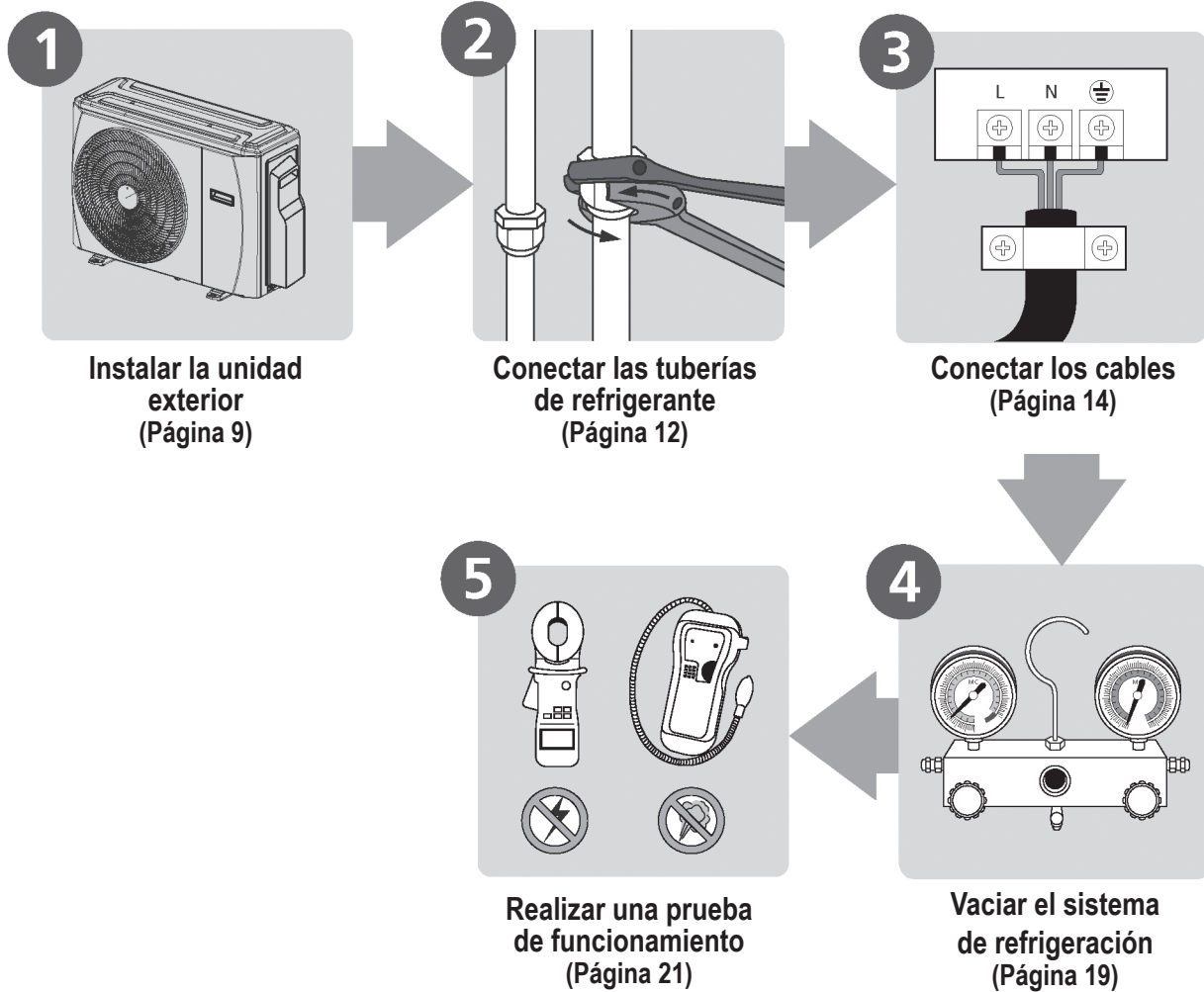
Hay dos tipos de mandos a distancia: con cable y sin cable.

Seleccione el mando a distancia según las preferencias y los requisitos del cliente e instálelo en un lugar apropiado.

Consulte los catálogos y la documentación técnica para orientarse sobre la selección del mando a distancia.

2. RESUMEN DE LA INSTALACIÓN

2.1 Orden de instalación



3. DIAGRAMA DE INSTALACIÓN

3.1 Diagrama de instalación

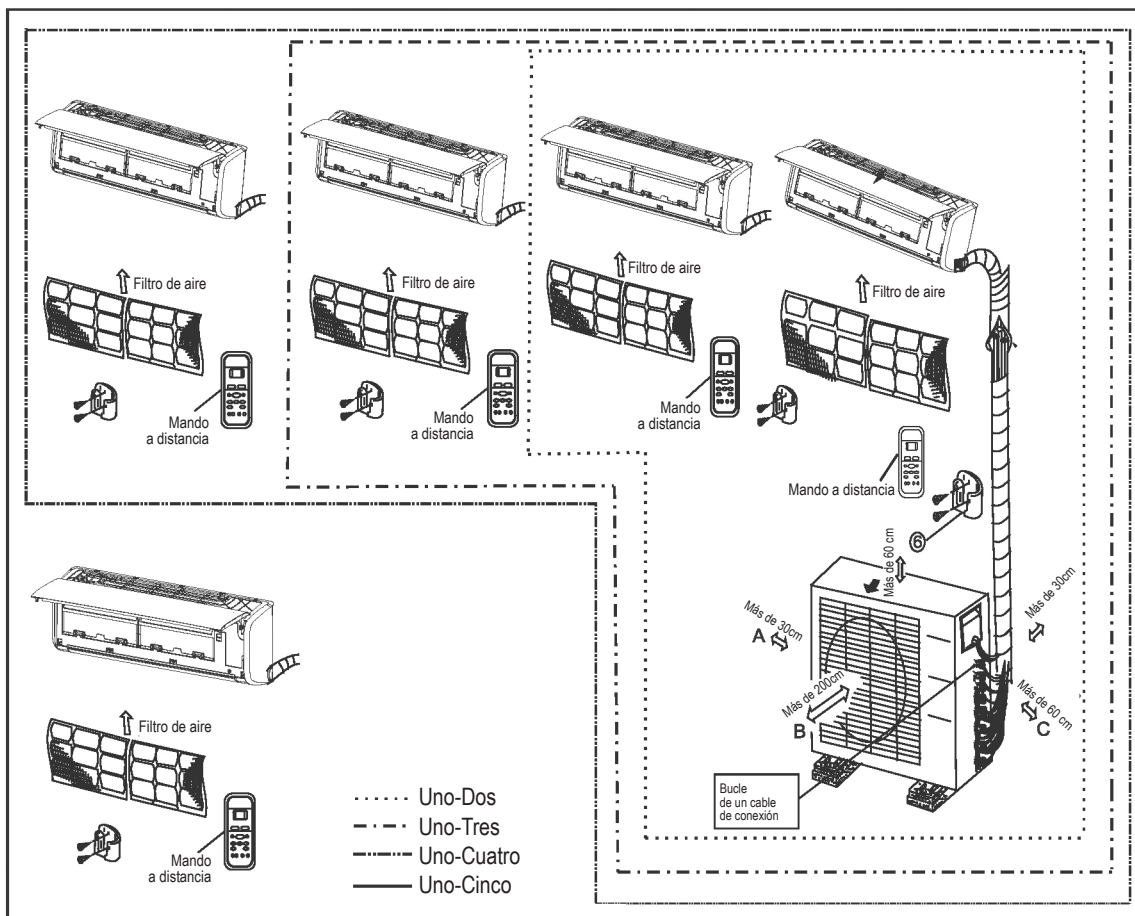


Fig. 3.1

Precauciones de seguridad

⚠ PRECAUCIÓN

- Esta ilustración es solo para fines de demostración. La forma real de su acondicionador de aire puede ser ligeramente diferente.
- Todas las tuberías de cobre deben aislarse por separado.

⚠ PRECAUCIÓN

- Para evitar daños en la pared, utilice un detector de clavos para localizar posibles objetos metálicos empotrados.
- Se requiere un tramo de tubería mínimo de 3 metros para minimizar las vibraciones y el ruido excesivo.
- Dos de las vías de circulación de aire A, B y C deben estar libres de obstrucciones en todo momento.

4. ESPECIFICACIONES

Tabla 4.1

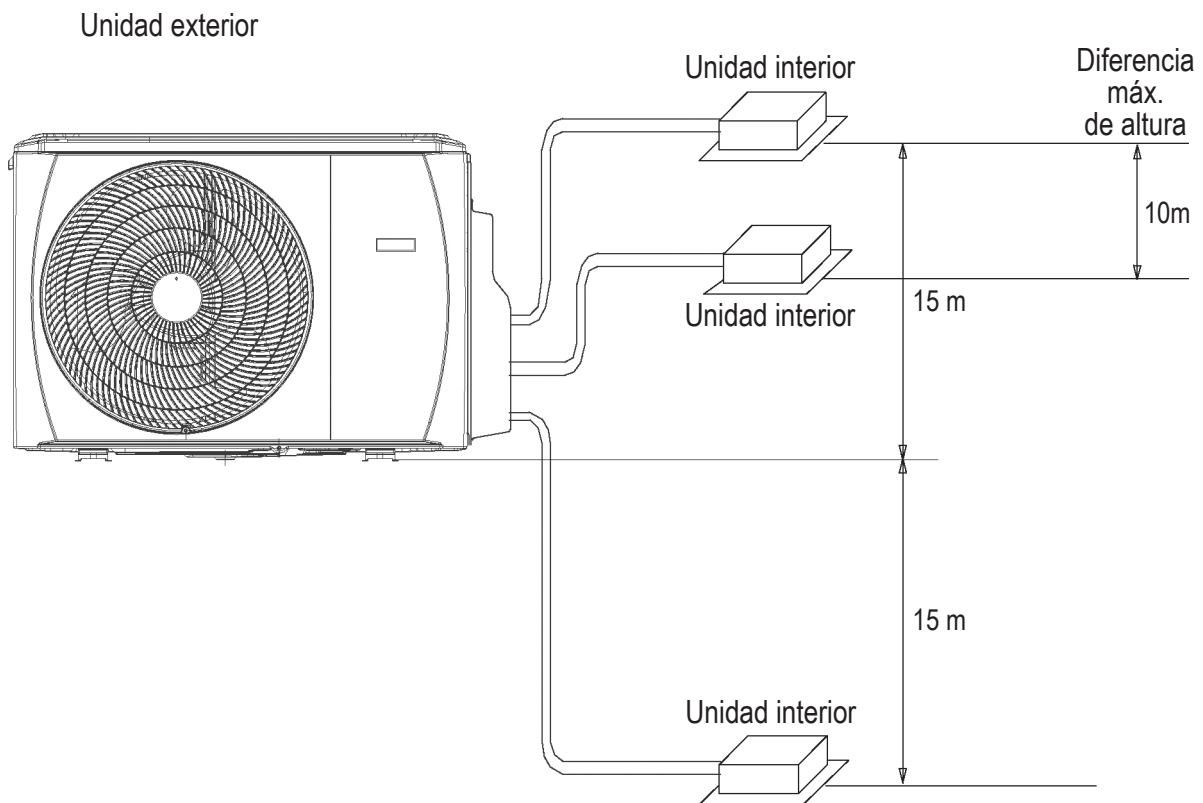
Número de unidades que se pueden utilizar conjuntamente	Unidades conectadas	1 a 5 unidades
Frecuencia de inicio/parada del compresor	Hora de parada	3 min o más
Tensión de la fuente de alimentación	Fluctuación de la tensión	$\pm 10\%$ del voltaje nominal
	caída de tensión durante el arranque	$\pm 15\%$ del voltaje nominal
	desequilibrio de intervalo	$\pm 3\%$ del voltaje nominal

Tabla 4.2

Unidad: m

		1 drive 2		1 drive 3		1 drive 4		1 drive 5
Modelo (Btu/h)		14k	18k	21k	27k	28k	36k	42k
Longitud máx. para todas las habitaciones		40	40	60	60	80	80	80
Longitud máx. para una unidad interior		25	25	25	30	30	35	35
Diferencia máx. de altura entre la unidad interior y la exterior	UE más alta que UI	15	15	15	15	15	15	15
	UE más baja que UI	15	15	15	15	15	15	15
Diferencia máx. de altura entre unidades interiores		10	10	10	10	10	10	10

Al instalar varias unidades interiores con una sola unidad exterior, asegúrese de que la longitud de la tubería de refrigerante y la diferencia de altura entre las unidades interior y exterior cumplen con los requisitos que se ilustran en el siguiente diagrama:



5. INSTALACIÓN DE LA UNIDAD EXTERIOR

5.1 Instrucciones de instalación de la unidad exterior

Paso 1: Seleccionar la ubicación de instalación.

La unidad exterior debe instalarse en un lugar que cumpla los siguientes requisitos:

- Coloque la unidad exterior tan cerca de la unidad interior como sea posible.
- Asegúrese que haya suficiente espacio para el montaje y el mantenimiento.
- La entrada y salida de aire no deben estar obstruidos o expuestos a un viento fuerte.
- Asegúrese de que la ubicación de la unidad no estará sujeta a acumulaciones de nieve, acumulación de hojas u otros residuos estacionales. Si es posible, coloque la unidad bajo un toldo. Asegúrese de que el toldo no obstruya el flujo de aire.
- El área de instalación debe estar seca y bien ventilada.
- Debe haber suficiente espacio para instalar las tuberías de conexión y los cables y para acceder a ellos para su mantenimiento.

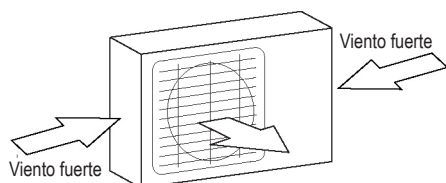


Fig. 5.1

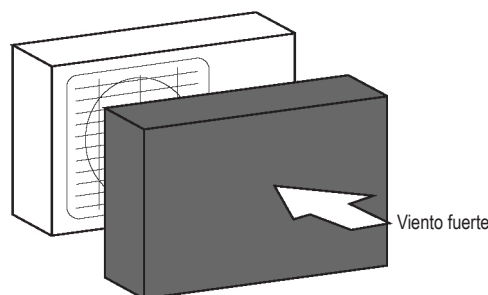


Fig. 5.2

- El área debe estar libre de gases combustibles y productos químicos.
- La longitud de la tubería entre la unidad interior y exterior no puede exceder la longitud máxima permitida de la tubería.
- Si es posible, **NO** instale la unidad en un lugar expuesto a la luz solar directa.
- Si es posible, asegúrese de que la unidad se encuentra lejos de la propiedad de sus vecinos para que el ruido no les moleste.
- Si la ubicación está expuesta a vientos fuertes (por ejemplo, cerca de una playa), la unidad se debe colocar contra la pared de forma que quede protegida del viento. Si es necesario, utilice un toldo. (Vea la Fig. 5.1 y 5.2)
- Instale las unidades interiores y exteriores y los cables a una distancia mínima de 1 metro de televisores o radios para evitar la distorsión estática de sonido e imagen. Dependiendo de las ondas de radio, 1 metro de distancia puede no ser suficiente para eliminar todas las interferencias.

Paso 2: Instalar la unidad exterior.

Fije la unidad exterior con tornillos de anclaje (M10)

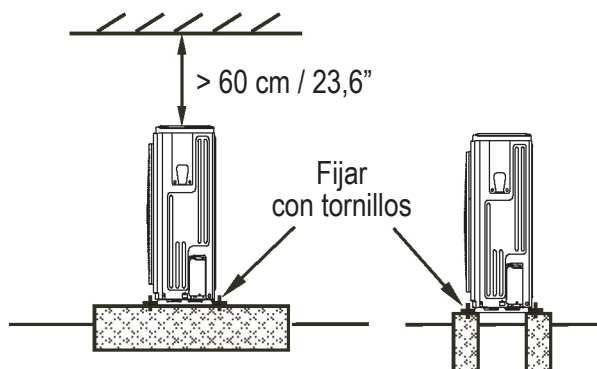


Fig. 5.3

! PRECAUCIÓN

- Asegúrese de eliminar cualquier obstáculo que pueda bloquear la circulación del aire.
- Cumpla las especificaciones de longitud para asegurarse de que hay suficiente espacio para la instalación y el mantenimiento.

5. INSTALACIÓN DE LA UNIDAD EXTERIOR

Unidad exterior de tipo dividido

(Consulte Fig. 5.4, 5.5, 5.6, 5.9 y Tabla 5.1)

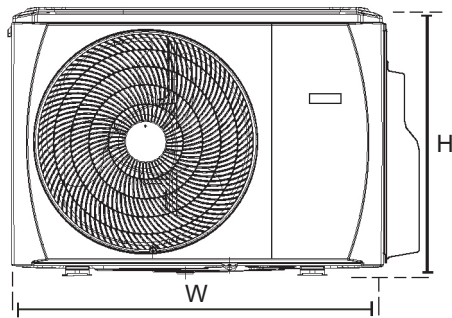


Fig. 5.4

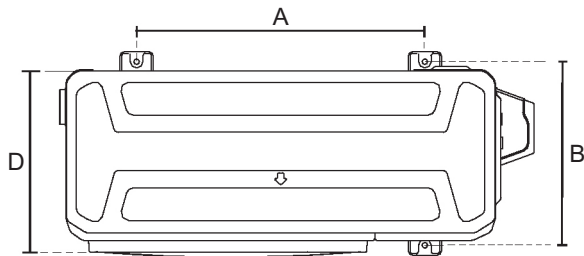


Fig. 5.5

Filas de montaje en serie

Tabla 5.2 Las relaciones entre H, A y L son las siguientes.

	L	A
$L \leq H$	$L \leq 1/2H$	25 cm / 9,8" o más
	$1/2H < L \leq H$	30 cm / 11,8" o más
$L > H$	No se puede instalar	

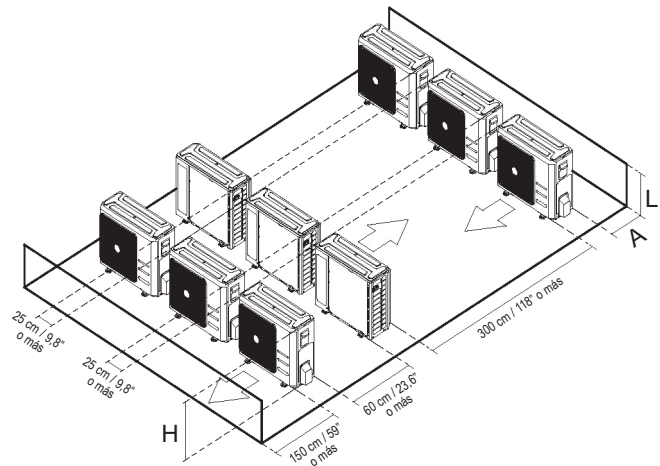


Fig. 5.6

Tabla 5.1: Especificaciones de longitud de la unidad exterior de tipo dividido (unidad: mm)

Tamaño de unidad exterior An x Al x Pr	Dimensiones de montaje	
	Distancia A	Distancia B
800x554x333 (31.5x21.8x13.1)	514	340
845x702x363 (33.27x27.6x14.3)	540	350
946x810x410 (37.2x31.9x16.14)	673	403
805x554x330 (31.7x21.8x12.9)	511	317
890x673x342 (35.0x26.5x13.5)	663	354

5. INSTALACIÓN DE LA UNIDAD EXTERIOR

NOTA: La distancia mínima entre la unidad exterior y las paredes descrita en la guía de instalación no se aplica a las salas herméticas. Asegúrese de mantener la unidad sin obstrucciones en al menos dos de las tres direcciones (M, N, P) (Vea la Fig. 5.7)

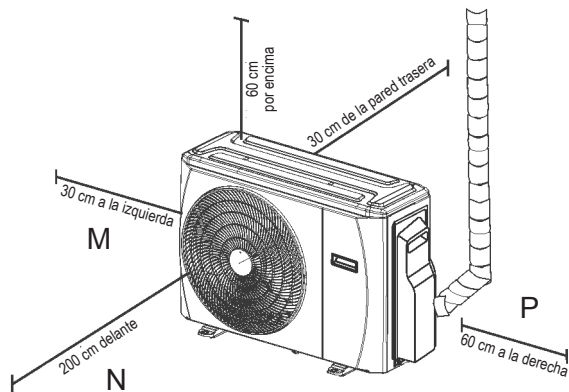


Fig. 5.7

5.2 Instalación del conector de desagüe

Antes de atornillar la unidad exterior en su lugar, debe instalar el conector de desagüe en la parte inferior de la unidad. (Vea la Fig. 5.8)

1. Coloque la junta de goma en el extremo del conector de desagüe donde se conectará a la unidad exterior.
2. Introduzca el conector de desagüe en el orificio de la bandeja base.
3. Gire el conector de desagüe 90° hasta que encaje en su lugar y quede mirando hacia fuera.
4. Conecte una extensión de la manguera de desagüe (no incluida) al conector de desagüe para redirigir el agua de la unidad durante el modo de calefacción.

NOTA: Asegúrese de que el agua se dirige hacia un lugar seguro donde no pueda causar daños ni riesgo de resbalones.

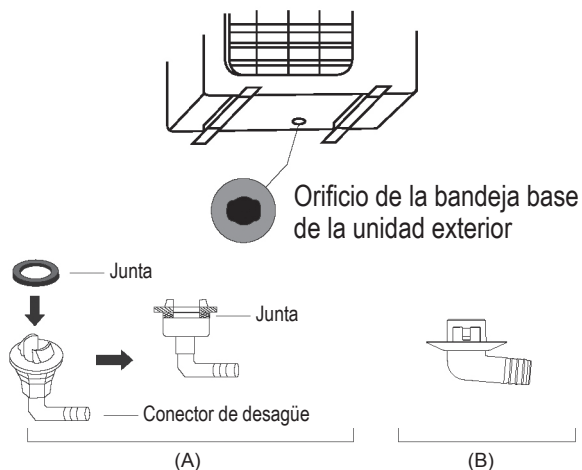


Fig. 5.8

5.3 Notas sobre la perforación de orificios en la pared

Debe realizar un orificio en la pared para la tubería de refrigerante y para el cable de señal que conectará la unidad interior y la exterior.

1. Determine la ubicación del orificio en la pared según la ubicación de la unidad exterior.
2. Taladre un orificio en la pared con un taladro de 65 mm (2,5"),

NOTA: Al taladrar el orificio en la pared, asegúrese de no tocar cables, tuberías y otros componentes sensibles.

3. Coloque el manguito protector de la pared en el agujero. Esto protege los bordes del agujero y ayuda a sellarlo al terminar el proceso de instalación.

5.4 Notas sobre la unidad interior 24K

La unidad interior 24K sólo se puede conectar con un sistema A. Si hay dos unidades interiores 24K, se pueden conectar con los sistemas A y B. (Vea la Fig. 5.9)

Tabla 5.3: Tamaño de la tubería de conexión de un sistema A y B (unidad: pulgadas)

Capacidad de la unidad interior (Btu/h)	Líquido	Gas
7K/9K/12K	1/4	3/8
18K	1/4	1/2
24K	3/8	5/8

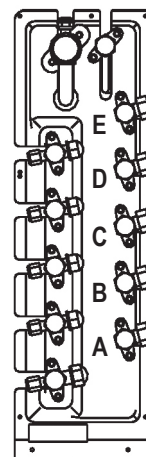


Fig. 5.9

6. CONEXIÓN DE LA TUBERÍA DE REFRIGERANTE

6.1 Precauciones de seguridad

! ADVERTENCIA

- Todas las tuberías deben ser colocadas por un técnico autorizado y deben cumplir las normativas locales y nacionales.
- Cuando el acondicionador de aire se monta en una habitación pequeña, se deben tomar medidas para evitar que la concentración de refrigerante en la sala exceda el límite de seguridad en caso de fuga de refrigerante. Si hay fugas de refrigerante y su concentración excede el límite, pueden producirse riesgos debidos a la falta de oxígeno.
- Al instalar el sistema de refrigeración, asegúrese de que no entren en el circuito de refrigeración el aire, el polvo, la humedad o sustancias extrañas. La contaminación del sistema puede reducir la capacidad de funcionamiento, aumentar la presión en el ciclo de refrigeración y provocar explosiones y daños físicos.
- Ventilar el área de inmediato si hay fugas de refrigerante durante la instalación. El gas refrigerante fugado es a tóxico e inflamable. Asegúrese de que no hay fugas de refrigerante después de completar el trabajo de instalación.

Instrucciones para la conexión de tubería de refrigerante

! PRECAUCIÓN

- La tubería de ramificación se debe instalar en posición horizontal. Un ángulo de más de 10 ° puede causar un mal funcionamiento.
- **NO** instale la tubería de conexión antes de instalar las unidades interiores y exteriores.
- Aísle la tubería de gas y la tubería de líquido para evitar fugas de agua.

Paso 1: Cortar los tubos

En la preparación de las tuberías de refrigerante, hay que poner especial atención al cortar y abocardar los tubos. Esto asegurará un funcionamiento eficaz y minimizará la necesidad de mantenimiento en el futuro.

1. Mida la distancia entre la unidad interior y la exterior.
2. Con un corta-tuberías, corte el tubo un poco más largo que la distancia medida.

! PRECAUCIÓN

NO deforme la tubería durante el corte. Tenga mucho cuidado de no dañar, abollar o deformar el tubo durante el corte. Esto reduciría drásticamente la eficacia de la calefacción del sistema.

1. Asegúrese de que el tubo se corta en un perfecto ángulo de 90°. En la Fig. 6.1 se muestran ejemplos de malos cortes

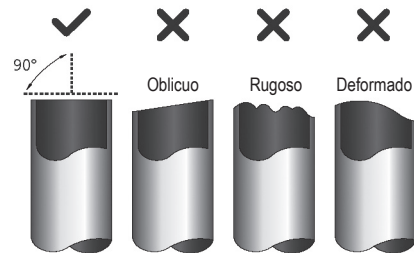


Fig. 6.1

Paso 2: Eliminar las rebabas.

Las rebabas pueden afectar el cierre hermético de la conexión de tuberías de refrigerante. Se deben eliminar completamente.

1. Mantenga el tubo en un ángulo hacia abajo para evitar que caiga material en la tubería.
2. Con un escariador o una herramienta de desbarbar, quite las rebabas de la sección del corte de la tubería.



Fig. 6.2

Paso 3: Abocardado de los extremos del tubo

NOTA

- Para los modelos de refrigerante R32, los puntos de conexión de la tubería deben colocarse fuera de la habitación.

El abocardado correcto es esencial para lograr una junta hermética.

1. Después de quitar las rebabas del tubo cortado, selle los extremos con cinta de PVC para evitar que materiales extraños penetren en la tubería.
2. Cubra la tubería con material aislante.
3. Coloque tuercas cónicas en ambos extremos del tubo. Asegúrese de que se colocan en el sentido correcto, porque después del abocardado no se pueden poner ni cambiar de dirección. Vea la Fig. 6.3

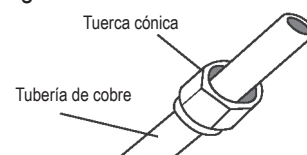


Fig. 6.3

6. CONEXIÓN DE LA TUBERÍA DE REFRIGERANTE

4. Retire la cinta de PVC de los extremos de la tubería cuando esté listo para realizar trabajos de abocardado.
5. Fije la matriz de abocardar en el extremo de la tubería. El extremo de la tubería debe salir fuera de la matriz de abocardar.

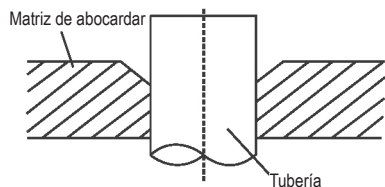


Fig. 6.4

6. Coloque el abocardador en la matriz.
7. Gire el mango del abocardador hacia la derecha hasta que la tubería está totalmente abocardada. Abocarde el tubo según las dimensiones que se muestran en la tabla 6.1.

Tabla 6.1: Extensión de la tubería fuera de la matriz de abocardar

Calibre del tubo	Par de apriete	Dimensión del abocardado (A) (Unidad: mm)		Forma del abocardado
		Mín.	Máx.	
Ø 6,4	14,2-17,2 N.m (144-176 kgf.cm)	8,3	8,3	
Ø 9,5	32,7-39,9 N.m (333-407 kgf.cm)	12,4	12,4	
Ø 12,7	49,5-60,3 N.m (504-616 kgf.cm)	15,4	15,8	
Ø 15,9	61,8-75,4 N.m (630-770 kgf.cm)	18,6	19	
Ø 19,1	97,2-118,6 N.m (990-1210 kgf.cm)	22,9	23,3	
Ø 22	109,5-133,7 N.m (1117-1364 kgf.cm)	27	27,3	

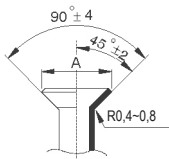


Fig. 6.5

8. Retire el abocardador y la matriz de abocardar y, a continuación, inspeccione el extremo de la tubería para ver si hay grietas y si el abocardado es uniforme.

Paso 4: Conectar las tuberías

Conecte primero las tuberías de cobre con la unidad interior y luego conéctelas con la unidad exterior. En primer lugar debe conectar la tubería de baja presión y luego la tubería de alta presión.

1. Al conectar las tuercas cónicas, aplique una capa fina de aceite de refrigeración en los extremos abocardados de las tuberías.
2. Alinee el centro de las dos tuberías que conectará.

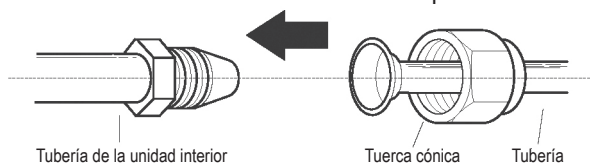


Fig. 6.6

3. Apriete la tuerca cónica lo más fuerte posible con la mano.
4. Sujete con una llave la tuerca que hay en la tubería de la unidad.

5. Mientras sujeta firmemente la tuerca, utilice una llave de torsión para apretar la tuerca cónica según los valores de par indicados en la tabla 7.1.

NOTA: Utilice dos llaves (una llave para fijar y una llave de torsión) para conectar las tuberías a la unidad y para desconectarlas.

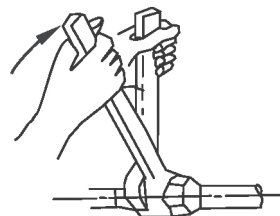


Fig. 6.7

! PRECAUCIÓN

- Asegúrese de cubrir la tubería con aislante. El contacto directo con la tubería al descubierto puede provocar quemaduras o congelación.
- Asegúrese de que la tubería está conectada correctamente. El apriete excesivo puede dañar la boca abocardada y si el apriete es insuficiente se pueden producir fugas.

NOTA SOBRE EL RADIO MÍNIMO DE CURVATURA

Doble con cuidado el tubo por el medio según el siguiente diagrama. NO doble la tubería más de 90° o más de 3 veces.

Doble el tubo con el pulgar



Radio mínimo 10 cm (3,9")

Fig. 6.8

6. Después de conectar la tubería de cobre a la unidad interior, envuelva el cable de alimentación, el cable de señal y la tubería con cinta de unión.

NOTA: **NO** entrelace el cable de señal con otros cables. Al agrupar estos elementos, no entrelace o cruce el cable de señal con ningún otro cable.

7. Haga pasar la tubería por la pared y conéctela a la unidad exterior.
8. Aísla toda la tubería, incluyendo las válvulas de la unidad exterior.
9. Abra las válvulas de cierre de la unidad exterior para iniciar el flujo del refrigerante entre la unidad interior y exterior.

! PRECAUCIÓN

Asegúrese de que no hay fugas de refrigerante después de completar el trabajo de montaje. Si hay una fuga de refrigerante, ventile el área inmediatamente y evacúe el sistema (consulte la sección de evacuación de aire de este manual).

7. CABLEADO

7.1 Precauciones de seguridad

ADVERTENCIA

- Asegúrese de desconectar la fuente de alimentación antes de trabajar en la unidad.
- Todo el cableado eléctrico se debe realizar de acuerdo con las normativas locales y nacionales.
- El cableado eléctrico debe ser realizado por un técnico cualificado. Unas conexiones incorrectas pueden provocar averías eléctricas, lesiones e incendios.
- Para esta unidad se debe utilizar un circuito y una toma independiente. **NO** enchufe otro aparato o cargador en la misma toma de corriente. Si la capacidad del circuito eléctrico no es suficiente o si hay un defecto en la instalación eléctrica, se pueden producir descargas eléctricas, incendios y daños en la unidad y en la propiedad.
- Conecte el cable de alimentación al terminal y fíjelo con una abrazadera. Una conexión insegura puede provocar un incendio.
- Asegúrese de que todo el cableado se realiza correctamente y que la cubierta de la placa de control está instalada correctamente. No hacerlo así puede causar un sobrecalentamiento en los puntos de conexión, fuego y descargas eléctricas.
- Asegúrese de que la conexión de suministro principal se realiza a través de un interruptor que desconecta todos los polos, con la apertura de los contactos de al menos 3 mm (0,118").
- **NO** modifique la longitud del cable de alimentación ni utilice un cable de extensión.

PRECAUCIÓN

- Conecte los cables del exterior antes de conectar los cables del interior.
- Asegúrese de que la unidad está conectada a la toma de tierra. El cable de tierra debe estar alejado de tuberías de gas, tuberías de agua, pararrayos, teléfono u otros cables de conexión a tierra. Si el aparato no está correctamente conectado a tierra se pueden producir descargas eléctricas.
- **NO** conecte la unidad a la fuente de alimentación hasta que se haya terminado de montar todo el cableado y las tuberías.
- Asegúrese de que no entrelaza los cables eléctricos con el cable de señal, ya que esto podría causar distorsión e interferencias.

Siga estas instrucciones para evitar distorsiones cuando arranca el compresor:

- La unidad debe estar conectada a la toma de corriente principal. Normalmente, la fuente de alimentación debe tener una baja impedancia de salida, de 32 ohmios.
- No se debe conectar ningún otro equipo a la misma toma de corriente.
- Se puede encontrar información sobre la alimentación de la unidad en la etiqueta de características del producto.

7.2 Cableado de la unidad exterior

ADVERTENCIA

Antes de realizar cualquier trabajo eléctrico o cableado, apague la alimentación principal del sistema.

1. Prepare el cable para la conexión
 - a. Antes de preparar el cable para la conexión deberá seleccionar un cable de tamaño adecuado. Asegúrese de utilizar cables H07RN-F.

7. CABLEADO

Tabla 7.1: Otras regiones

Intensidad de corriente del aparato (A)	Área nominal de la sección transversal (mm ²)
≤ 6	0,75
6 - 10	1
10 - 16	1,5
16 - 25	2,5
25 - 32	4
32 - 45	6

- b. Con un pelacables, corte el revestimiento de goma de ambos extremos del cable de señal para revelar unos 15 cm (5,9 ") de los hilos del interior.
- c. Pele los extremos de los cables.
- d. Con una crimpadora, monte lengüetas de conexión en los extremos de los cables.

NOTA: Durante la conexión de los cables, siga estrictamente el esquema de conexiones (que se encuentra dentro de la cubierta de la caja de control eléctrico).

2. Retire la cubierta de la caja de control eléctrico de la unidad exterior. Si la unidad exterior no tiene cubierta, retire los tornillos de la placa de mantenimiento y retire la placa de protección. (Vea la Fig. 8.1)

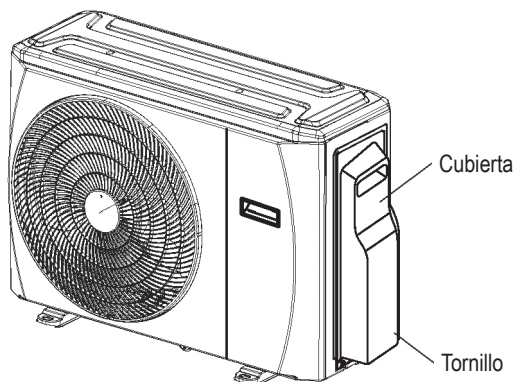


Fig. 7.1

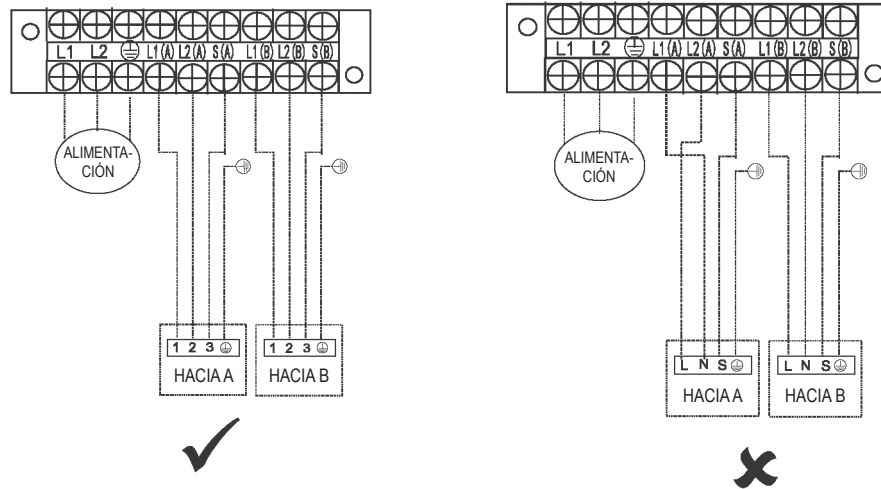
3. Conecte las lengüetas de conexión a los terminales. Los colores/etiquetas deben coincidir con los colores/etiquetas de las regletas. Atornille firmemente las lengüetas de conexión de cada cable a su terminal correspondiente.
4. Amordace el cable con la abrazadera de cables.
5. Proteja los cables no utilizados con cinta aislante. Manténgalos alejados de las partes eléctricas o metálicas.
6. Vuelva a instalar la cubierta de la caja de control eléctrico.

7. CABLEADO

7.3 Figura de cableado

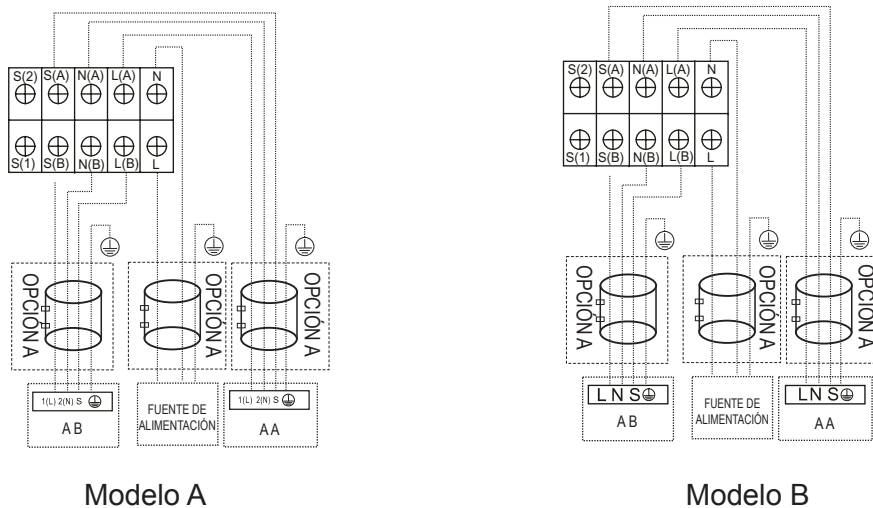
! PRECAUCIÓN

Conecte los cables de conexión a los terminales, como se indica, con sus números correspondientes en la regleta de terminales de la unidad interior y la unidad exterior. Por ejemplo, en los modelos que se muestran en el siguiente diagrama, el terminal L1 (A) de la unidad exterior debe conectarse con el terminal 1 de la unidad interior A.



NOTA: Consulte las siguientes figuras si los usuarios finales desean realizar su propio cableado.

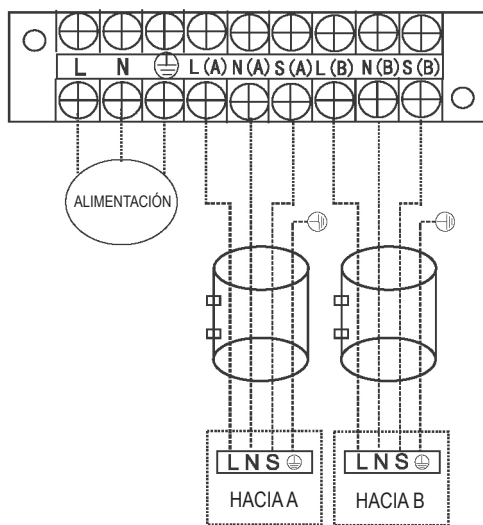
Modelos uno-dos:



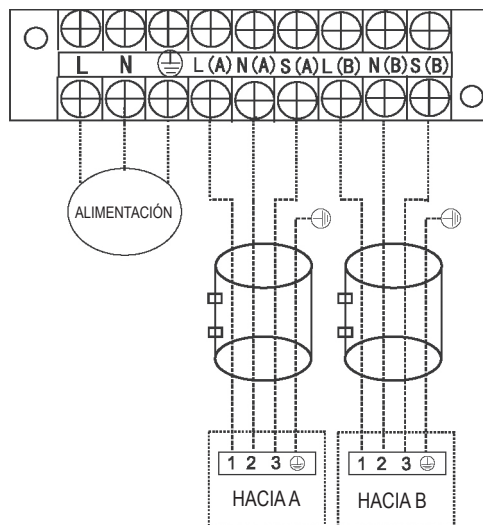
 **Anillo magnético (no suministrado, componente opcional)**
(Se utiliza para acoplar el cable de conexión de las unidades interiores y exteriores después de la instalación.)

7. CABLEADO

Modelos uno-dos:



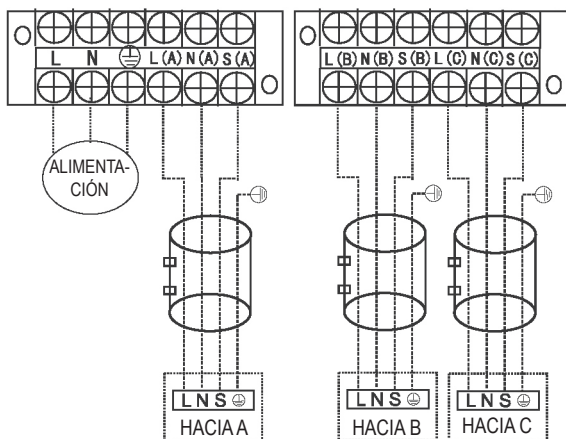
Modelo C



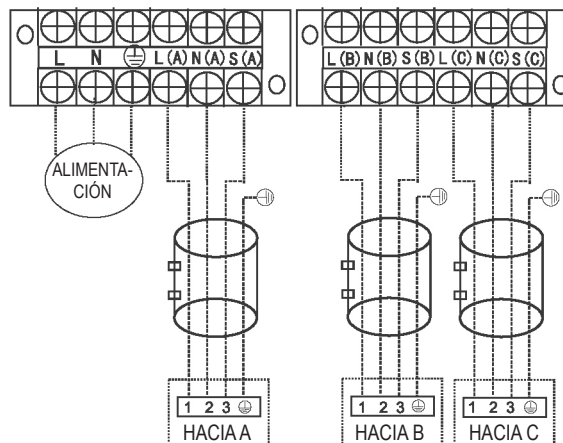
Modelo D

NOTA: Consulte las siguientes figuras si el usuario final desea realizar su propio cableado.

Modelos uno-tres:

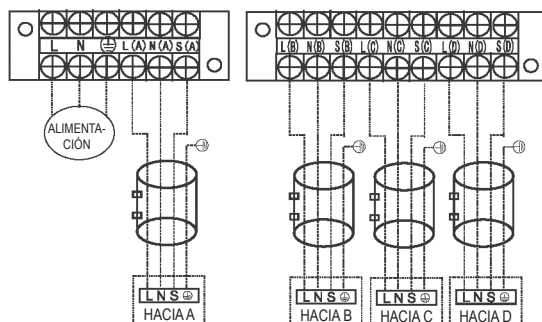


Modelo A

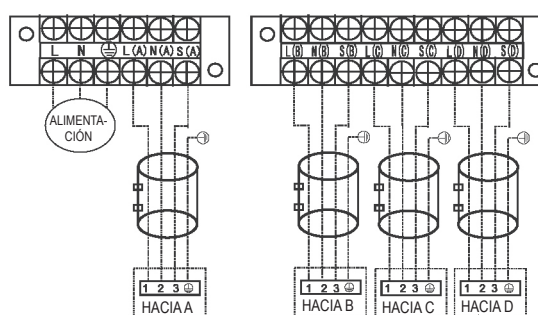


Modelo B

Modelos uno-cuatro:



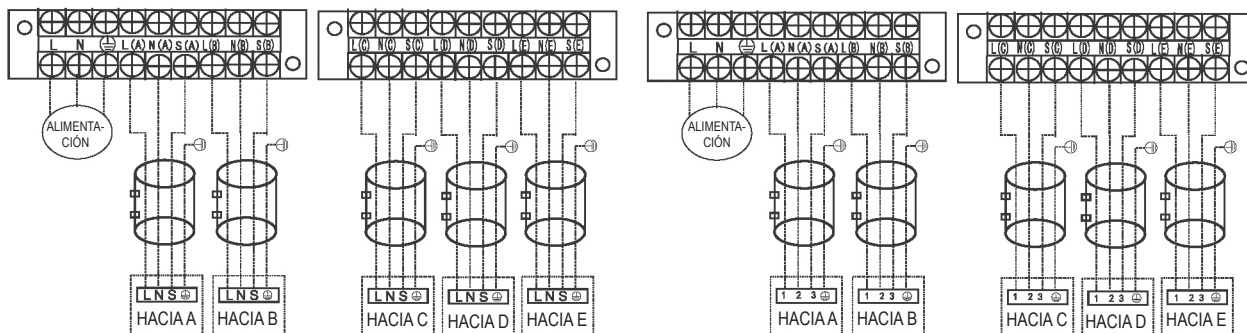
Modelo A



Modelo B

7. CABLEADO

Modelos uno-cinco:



Modelo A

Modelo B

! PRECAUCIÓN

Después de la confirmación de las condiciones anteriores, al realizar el cableado siga estas directrices:

- Utilice siempre un circuito de alimentación individual específicamente para el acondicionador de aire. Siga siempre el diagrama del circuito dibujado bajo la cubierta de la caja de control.
- Los tornillos de fijación de los cables de la caja de conexiones eléctricas pueden aflojarse durante el transporte. Puesto que los tornillos sueltos pueden provocar un fuego en el cable, compruebe que los tornillos están bien apretados.
- Compruebe las especificaciones de la fuente de alimentación.
- Confirme que la potencia eléctrica es suficiente.
- Confirme que la tensión de salida se mantiene a más del 90 por ciento de la tensión nominal indicada en la placa de características.
- Confirme que el grosor del cable es el indicado en las especificaciones de la fuente de alimentación.
- Instale siempre un disyuntor de fuga a tierra en zonas húmedas o mojadas.
- Una caída de tensión puede provocar lo siguiente: vibración de un interruptor magnético, daño en el punto de contacto, fusibles rotos y perturbación del funcionamiento normal.
- En el cableado fijo hay que incorporar una desconexión de la fuente de alimentación. La separación de aire entre los contactos debe ser por lo menos de 3 mm en cada uno de los conductores activos (fase).
- Antes de acceder a los terminales, hay que desconectar todos los circuitos de alimentación.

NOTAS SOBRE LAS ESPECIFICACIONES DE LOS FUSIBLES:

(Aplicable a unidades que utilizan solo el refrigerante R32).

1. La especificación del fusible de la unidad exterior es T20A/250 V CA (para unidad <24 000 Btu/h), T30A/250 V CA (para unidad >24 000 Btu/h).
2. El fusible es de material cerámico.

8. EVACUACIÓN DE AIRE

8.1 Precauciones de seguridad

! PRECAUCIÓN

- Use una bomba de vacío con un manómetro con una lectura inferior menor que -0,1 MPa y una capacidad de descarga de aire mayor de 40 l/min.
- No es necesario evacuar la unidad exterior. **NO** abra las válvulas de gas y líquido de la unidad exterior.
- Compruebe que el multímetro muestra -0,1 MPa o menos después de 2 horas. Si después de tres horas la lectura del multímetro todavía está por encima de -0,1 MPa, compruebe si hay una fuga de gas o agua en la tubería. Si no hay fugas, realice otra evacuación durante 1 o 2 horas.
- **NO** utilice gas refrigerante para evacuar el sistema.

8.2 Instrucciones de evacuación

Antes de utilizar un juego de manómetros y una bomba de vacío, lea los manuales de operación para asegurarse de que sabe cómo usarlos correctamente.

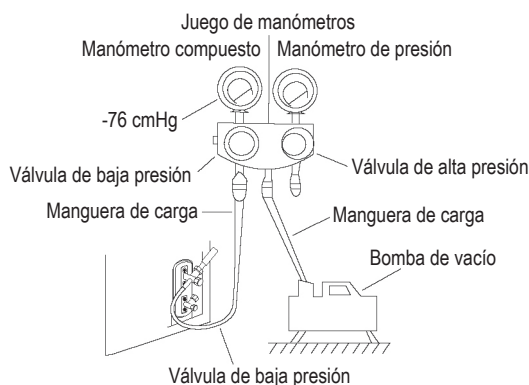


Fig. 8.1

1. Conecte la manguera de carga del juego de manómetros a la boca de servicio de la válvula de baja presión de la unidad exterior.
2. Conecte la manguera de carga del juego de manómetros a la bomba de vacío.
3. Abra el lado de baja presión del juego de manómetros. Mantenga el lado de alta presión cerrado.
4. Encienda la bomba de vacío para evacuar el sistema.
5. Haga el vacío durante al menos 15 minutos o hasta que el multímetro muestre -76 cmHg (-1x105 Pa).
6. Cierre la válvula de baja presión del juego de manómetros y apague la bomba de vacío.
7. Espere 5 minutos y, a continuación, compruebe que no ha habido ningún cambio en la presión del sistema.

NOTA: Si no hay cambio en la presión del sistema, desenrosque el tapón de la válvula de llenado (válvula de alta presión). Si hay un cambio en la presión del sistema, puede haber una fuga de gas.

8. Inserte la llave hexagonal en la válvula de llenado (válvula de alta presión) y abra la válvula girando la llave un cuarto de vuelta en sentido antihorario. Escuche si sale gas del sistema y, a continuación, cierre la válvula después de 5 segundos.

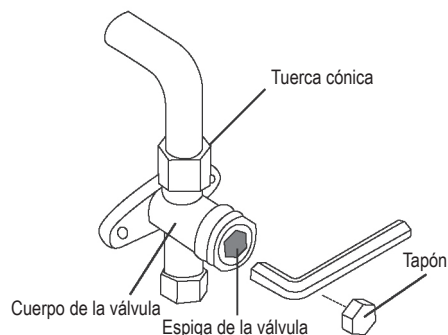


Fig. 8.2

9. Observe el juego de manómetros durante un minuto para asegurarse de que no hay ningún cambio en la presión. La lectura debería ser ligeramente superior a la presión atmosférica.
10. Retire la manguera de carga de la boca de servicio.
11. Con una llave hexagonal, abra totalmente las válvulas de alta presión y de baja presión.

8.3 ABRA LAS EPIGAS DE LAS VÁLVULAS DESPACIO

Al abrir las espigas de las válvulas, gire la llave hexagonal hasta llegar al tope. **NO** trate de forzar más la apertura de la válvula.

12. Apriete los tapones de las válvulas a mano y luego apriételos con la herramienta adecuada.
13. Si la unidad exterior utiliza todas las válvulas de vacío y la posición de vacío está en la válvula principal, el sistema no está conectado con la unidad interior. La válvula debe apretarse con una tuerca de bloqueo. Compruebe si hay fugas de gas antes del funcionamiento.



Fig. 8.3

8. EVACUACIÓN DE AIRE

8.4 Nota sobre la adición de refrigerante

! PRECAUCIÓN

- La carga de refrigerante se debe realizar después de terminar el cableado, hacer el vacío y terminar la prueba de fugas.
- **NO** exceda la cantidad máxima permitida de refrigerante ni sobrecargue el sistema. Si lo hace, se puede dañar la unidad o afectar su funcionamiento.
- La carga con sustancias inadecuadas puede causar explosiones o accidentes. Asegúrese de que se utiliza el refrigerante apropiado.
- Los envases de refrigerante deben abrirse lentamente. Use siempre equipo de protección cuando cargue el sistema.
- **NO** mezcle refrigerantes de distintos tipos.

N=2(modelos uno-dos), N=3(modelos uno-tres), N=4(modelos uno-cuatro), N=5(modelos uno-cinco). Según la longitud de la tubería de conexión o de la presión del sistema evacuado, puede ser necesario añadir refrigerante. Consulte la tabla siguiente para obtener las cantidades de refrigerante que hay que añadir:

REFRIGERANTE ADICIONAL SEGÚN LONGITUD DE LA TUBERÍA

Longitud de la tubería de conexión	Método de purga de aire	Refrigerante adicional (R410A/R32)	
Long. de tubería precargada (pies/m) (Long. de tubería estándar x N)	Bomba de vacío	N/D	
Más que (Long. tubería estándar x N) (pies/m)	Bomba de vacío	Lado líquido: Ø 6,35 (Ø 1/4") (Long. total tubería - long. tubería estándar x N) x 15 g/m (Long. total tubería - long. tubería estándar x N) x 12 g/m	Lado líquido: Ø 9,52 (Ø 3/8") (Long. total tubería - long. tubería estándar x N) x 30 g/m (Long. total tubería - long. tubería estándar x N) x 24 g/m

Nota: 1) Utilice herramientas para el sistema R410A/R32 respectivamente;
2) La longitud del tubo estándar es de 7,5 m (24,6 pies). Cuando la longitud de la tubería es superior a 7,5 m, el refrigerante adicional se debe agregar de acuerdo con la longitud de la tubería.

8.5 Comprobación de seguridad y de fugas

Comprobación de la seguridad eléctrica

Después de completar la instalación realizar la comprobación de la seguridad eléctrica. Cubre las siguientes áreas:

1. Resistencia del aislamiento
La resistencia del aislamiento debe ser mayor que 2 MΩ.
2. Conexión a tierra
Después de realizar la conexión a tierra, mida la resistencia de la conexión a tierra mediante la detección visual y utilizando un multímetro. Asegúrese de que la resistencia de la conexión a tierra es menor que 4Ω.
3. Comprobación de fugas eléctricas (la prueba se realiza con la unidad encendida)
Después de completar la instalación, utilice el buscapolo y el multímetro para realizar una comprobación de fugas eléctricas. Apague la unidad inmediatamente si hay una fuga. Intente evaluar diferentes soluciones hasta que la unidad funcione correctamente.

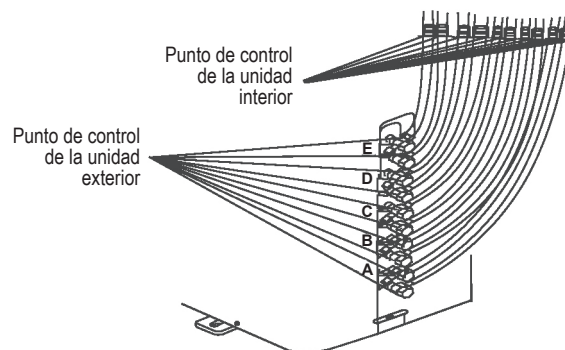
Comprobación de fugas de gas

1. Método del agua con jabón:
Aplique una solución de agua con jabón o un detergente líquido neutro en la conexión de la unidad

interior o en las conexiones de la unidad exterior con un cepillo suave para comprobar si hay fugas de los puntos de conexión de la tubería. Si emergen burbujas, las tuberías tienen fugas.

2. Detector de fugas
Utilice el detector de fugas para comprobar si hay fugas.

NOTA: Esta ilustración es solo para fines de ejemplo. El orden real de A, B, C, D y E en la máquina puede ser ligeramente diferente en la unidad que ha adquirido, pero la forma general seguirá siendo la misma.



A, B, C, D son los puntos para el tipo uno-cuatro.
A, B, C, D y E son los puntos para el tipo uno-cinco.

Fig. 8.4

9. PRUEBA DE FUNCIONAMIENTO

9.1 Antes de la prueba de funcionamiento

La prueba de funcionamiento debe realizarse después de terminar la instalación de todo el sistema. Confirme los siguientes puntos antes de realizar la prueba:

- a) Las unidades interiores y exteriores están instaladas correctamente.
 - b) Las tuberías y los cables están conectados correctamente.
 - c) No hay obstáculos cerca de la entrada y la salida de la unidad que puedan disminuir el rendimiento o un mal funcionamiento del producto.
 - d) El sistema de refrigeración no tiene fugas.
 - e) El sistema de desagüe no tiene obstáculos y el desagüe se realiza en un lugar seguro.
 - f) El aislamiento de la calefacción está instalado correctamente.
 - g) Los cables de conexión a tierra están conectados correctamente.
 - h) Se ha registrado la longitud de la tubería de refrigerante y la capacidad de almacenaje adicional.
 - i) La tensión de alimentación tiene el voltaje correcto para el aparato de aire acondicionado.
- d. Asegúrese de que los indicadores del mando a distancia y el panel de visualización de la unidad interior funcionan correctamente.
 - e. Asegúrese de que los botones manuales de la unidad interior funcionan correctamente.
 - f. Compruebe que el sistema de desagüe no tiene obstáculos y que el desagüe se realiza sin problemas.
 - e. Compruebe que no haya ningún ruido o vibración anómala durante el funcionamiento.

5. Para la unidad exterior

- a. Compruebe si el sistema de refrigeración tiene alguna fuga.
- b. Compruebe que no haya ningún ruido o vibración anómala durante el funcionamiento.
- c. Compruebe que el viento, el ruido y el agua generada por la unidad no molesta a los vecinos ni supone ningún peligro para la seguridad.

NOTA: Si la unidad no funciona o no funciona de acuerdo a sus expectativas, consulte la sección de Solución de problemas del Manual del propietario antes de llamar al servicio al cliente.

! PRECAUCIÓN

No realizar la prueba de funcionamiento puede provocar daños en la unidad, daños en la propiedad o lesiones personales.

9.2 Instrucciones para la prueba de funcionamiento

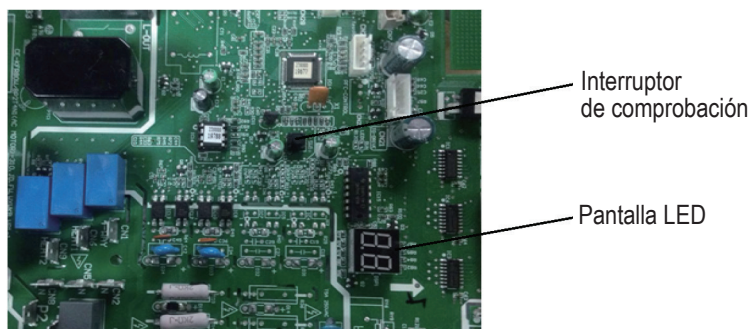
Antes de utilizar un juego de manómetros y una bomba de vacío, lea los manuales de operación para asegurarse de que sabe cómo usarlos correctamente.

1. Abra las válvulas de líquido y de gas.
2. Encienda el interruptor de alimentación principal y deje que la unidad se caliente.
3. Ajuste el aparato de aire acondicionado en modo COOL.
4. Para la unidad interior
 - a. Asegúrese de que el mando a distancia y sus botones funcionan correctamente.
 - b. Asegúrese de que las louveras de ventilación se mueven con normalidad y se pueden cambiar con el mando a distancia.
 - c. Verifique si la temperatura ambiente se está registrado correctamente.

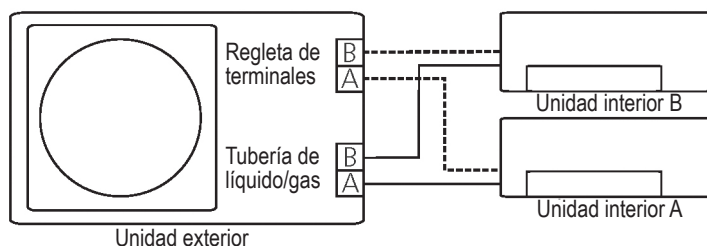
10. FUNCIÓN DE CORRECCIÓN AUTOMÁTICA DE CABLES/TUBERÍAS

10.1 Función de corrección automática de cables/tuberías

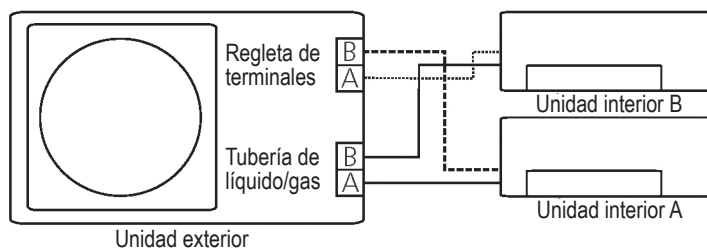
Los modelos más nuevos cuentan ahora con corrección automática de errores de cables/tuberías. Pulse el "interruptor de comprobación" en la placa PCB de la unidad exterior durante 5 segundos hasta que el LED muestre "CE", lo que indica que esta función está en marcha. Aproximadamente 5-10 minutos después de pulsar el interruptor, el "CE" desaparece, lo que significa que el error de cables/tuberías se ha corregido y que ahora todos los cables y tuberías están conectados correctamente.



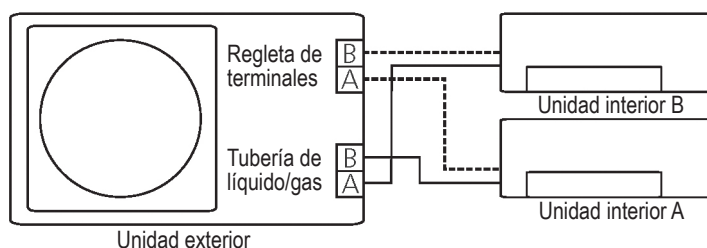
Cableado correcto



Cableado incorrecto



Cableado incorrecto



10.2 Cómo activar esta función

1. Compruebe que la temperatura exterior es superior a 5 °C.
(Esta función no se activa cuando la temperatura exterior no está por encima de 5 °C)
2. Compruebe que las válvulas de las tuberías de gas y líquido están abiertas.
3. Encienda el interruptor y espere al menos 2 minutos.
4. Pulse el interruptor de comprobación en la placa PCB hasta que el LED de la unidad muestre "CE".

11. INFORMACIÓN PARA EL SERVICIO TÉCNICO

11.1 COMPROBACIONES EN EL ÁREA

Antes de comenzar a trabajar en sistemas que contienen refrigerantes inflamables, hay que realizar comprobaciones de seguridad para garantizar que el riesgo de ignición se reduce al mínimo. En la reparación del sistema de refrigeración, hay que cumplir las siguientes precauciones antes de realizar trabajos en el sistema.

11.2 PROCEDIMIENTO DE TRABAJO

Los trabajos se realizarán siguiendo un procedimiento controlado con el fin de minimizar el riesgo de presencia de gas o vapor inflamable mientras se está realizando el trabajo.

11.3 ÁREA DE TRABAJO GENERAL

Todo el personal de mantenimiento y otras personas que trabajen en el área deben haber recibido formación sobre la naturaleza del trabajo que se realiza. Debe evitarse trabajar en espacios confinados. El área alrededor de la zona de trabajo debe delimitarse. Asegúrese de que las condiciones dentro de la zona de seguridad son seguras mediante el control del material inflamable.

11.4 COMPROBACIÓN DE PRESENCIA DE REFRIGERANTE

El área deberá comprobarse con un detector de refrigerante adecuado antes y durante el trabajo, para asegurarse de que el técnico sepa si hay atmósferas potencialmente inflamables. Asegúrese de que el equipo de detección de fugas que se utiliza es adecuado para su uso con refrigerantes inflamables, es decir, sin chispas, debidamente sellado o de seguridad intrínseca.

11.5 PRESENCIA DE UN EXTINTOR

Si se va a realizar algún trabajo que requiera la aplicación de calor en el equipo de refrigeración o en los componentes asociados, debe disponer de un extintor de incendios adecuado al alcance de la mano. Tenga un extintor seco o de CO₂ junto a la zona de carga.

11.6 AUSENCIA DE FUENTES DE IGNICIÓN

Toda persona que realice trabajos relacionados con un sistema de refrigeración que implique exponer cualquier tubería que contenga o que haya contenido refrigerante inflamable no debe utilizar ninguna fuente de ignición de tal manera que pueda suponer un riesgo de incendio o explosión. Todas las posibles fuentes de ignición, incluido el tabaco, deben mantenerse lo suficientemente lejos del lugar de la instalación, reparación, desmontaje y desecho, con el fin de evitar que el refrigerante que se pueda liberar en la zona se inflame. Antes de empezar el trabajo, hay que observar el área alrededor del equipo para asegurarse de que no existen riesgos de inflamación o riesgos de ignición. Deberá haber una señalización de "NO FUMAR".

11.7 ÁREA VENTILADA

Asegúrese de que la zona esté abierta o que tenga la ventilación adecuada antes de abrir el sistema o de realizar cualquier trabajo con aplicación de calor. Deberá seguir habiendo ventilación suficiente durante el período que se realiza el trabajo. La ventilación debe dispersar de forma segura todo el refrigerante liberado y expulsarlo preferiblemente a la atmósfera externa.

11.8 COMPROBACIONES EN EL EQUIPO DE REFRIGERACIÓN

Cuando se cambien componentes eléctricos, estos deberán ser aptos para la finalidad y tener la especificación correcta. Se deben seguir en todo momento las directrices de mantenimiento y servicio del fabricante. En caso de duda consulte con el departamento técnico del fabricante. Las siguientes comprobaciones deben realizarse en las instalaciones que utilizan refrigerantes inflamables:

11. INFORMACIÓN PARA EL SERVICIO TÉCNICO

- el tamaño de la carga debe ser adecuado para el tamaño de la sala en la que están instalados los componentes que contienen refrigerante;
- la maquinaria de ventilación y las salidas funcionan adecuadamente y no están obstruidas;
- si se utiliza un circuito de refrigeración indirecta, hay que verificar si en los circuitos secundarios se detecta presencia de refrigerante; las advertencias continúan siendo visibles y legibles en el equipo.
- las advertencias y señales que no se pueden leer deben corregirse;
- la tubería o componentes de refrigeración están instalados en una posición en la que no es probable que queden expuestos a cualquier sustancia que puede corroer los componentes que contienen refrigerante, a menos que los componentes estén contruidos con materiales que son inherentemente resistentes a la corrosión o que estén adecuadamente protegidos contra la corrosión.

11.9 COMPROBACIONES EN LOS DISPOSITIVOS ELÉCTRICOS

La reparación y mantenimiento de componentes eléctricos deberán incluir comprobaciones de seguridad iniciales y procedimientos de inspección de los componentes. Si existe una avería que pueda poner en peligro la seguridad, se debe cortar la alimentación eléctrica al circuito hasta que el problema esté resuelto. Si la avería no se puede corregir de inmediato pero es necesario que el sistema siga funcionando, deberá utilizarse una solución temporal adecuada. Esto se notificará al propietario del equipo para que todas las partes estén avisadas.

Las comprobaciones de seguridad iniciales incluirán:

- comprobar que los condensadores están descargados: esto se hará de manera segura para evitar la posibilidad de chispas
- que no hay componentes eléctricos y cables de fase que estén expuestos durante la carga, la recuperación o la purga del sistema;
- que la conexión a tierra tiene continuidad.

11.10 REPARACIÓN DE LOS COMPONENTES SELLADOS

- 11.1 Durante la reparación de componentes sellados, todas las fuentes de alimentación eléctrica del equipo en el que se trabaja se deben desconectar antes de quitar las cubiertas selladas, etc. Si es absolutamente necesario disponer de alimentación eléctrica en el equipo durante el trabajo, debe colocarse un sistema de permanente de detección de fugas en el punto más crítico para advertir de una situación potencialmente peligrosa.
- 11.2 Se prestará especial atención a lo siguiente para asegurarse de que al trabajar en los componentes eléctricos no se altera la carcasa de manera que afecte al nivel de protección. Esto debe incluir daños a los cables, excesivo número de conexiones, terminales que no cumplen la especificación original, daños en las juntas, montaje incorrecto de los prensaestopas, etc.
 - Asegúrese de que el aparato se monta de manera segura.
 - Asegúrese de que las juntas o materiales de sellado no se han degradado de tal manera que ya no sirvan para impedir la entrada de atmósferas inflamables. Las piezas de repuesto deben cumplir las especificaciones del fabricante.

NOTA: El uso de sellador de silicona puede inhibir la eficacia de algunos tipos de equipos de detección de fugas. Los componentes intrínsecamente seguros no tienen que aislarse para trabajar en ellos.

11.11 REPARACIÓN DE COMPONENTES INTRÍNSICAMENTE SEGUROS

No aplique cargas inductivas o capacitancia permanentes en el circuito sin asegurarse de que esto no va a superar la tensión e intensidad de corriente admitida para el equipo en uso. Mientras se esté en una atmósfera inflamable y haya corriente eléctrica solo se puede trabajar en los componentes intrínsecamente seguros. El aparato de prueba debe tener el voltaje correcto. Sustituya componentes solo por otros especificados por el fabricante. Otros componentes pueden provocar la ignición del refrigerante en la atmósfera en caso de fuga.

11. INFORMACIÓN PARA EL SERVICIO TÉCNICO

11.12 CABLES

Verifique que los cables no estén sujetos a desgaste, corrosión, presión excesiva, vibración, bordes afilados o cualquier otro efecto ambiental adversos. La comprobación también deberá tener en cuenta los efectos del envejecimiento o la vibración continua de fuentes tales como compresores o ventiladores.

11.13 DETECCIÓN DE REFRIGERANTES INFLAMABLES

En ningún caso se pueden utilizar fuentes potenciales de ignición para buscar o detectar fugas de refrigerante. No se debe utilizar una antorcha de haluro (ni ningún otro detector que tenga llama viva).

11.14 MÉTODOS DE DETECCIÓN DE FUGAS

Los siguientes métodos de detección de fugas se consideran aceptables para los sistemas que contienen refrigerantes inflamables. Para detectar los refrigerantes inflamables se deben utilizar detectores de fugas electrónicos, pero la sensibilidad de los mismos puede no ser la adecuada o pueden necesitar recalibración. (El equipo de detección se calibrará en un área libre de refrigerante.) Asegúrese de que el detector no es una fuente potencial de ignición y es adecuado para el refrigerante. Los equipos de detección de fugas deben fijarse en un porcentaje del nivel inferior de inflamabilidad (LFL) del refrigerante y se calibrará en función del refrigerante utilizado y del porcentaje adecuado de gas (25% máximo). Los fluidos de detección de fugas son adecuados para su uso con la mayoría de refrigerantes pero debe evitarse el uso de detergentes que contienen cloro puesto que puede reaccionar con el refrigerante y corroer el cobre del tubo. Si se sospecha una fuga, se deberán retirar o apagar todas las llamas vivas. Si se encuentra una fuga de refrigerante que requiera soldadura, habrá que recuperar todo el refrigerante del sistema, o aislarlo (por medio de válvulas de cierre) en una parte del sistema alejada de la fuga. El sistema debe purgarse con nitrógeno de alta pureza antes y durante el proceso de soldadura.

11.15 EXTRACCIÓN Y EVACUACIÓN

Cuando se abre el circuito de refrigerante para hacer las reparaciones o con cualquier otra finalidad, se utilizarán los procedimientos convencionales. Sin embargo, es importante seguir las prácticas recomendadas teniendo presente la inflamabilidad. El siguiente procedimiento debe seguirse para:

- extraer el refrigerante;
- purgar el circuito con gas inerte;
- evacuar;
- purgar de nuevo con gas inerte;
- abrir el circuito por corte o soldadura.

La carga de refrigerante se recuperará en cilindros de recuperación adecuados. El sistema debe ser lavado con nitrógeno de alta pureza (nitrógeno sin oxígeno, OFN) para que la unidad sea segura. Puede ser necesario repetir este proceso varias veces.

Para esta tarea no se debe utilizar aire comprimido u oxígeno.

El lavado se realizará quitando el vacío del sistema rellenándolo con nitrógeno de alta pureza hasta alcanzar la presión de trabajo, luego se dejará salir el nitrógeno a la atmósfera y finalmente se volverá a realizar el vacío. Este proceso se debe repetir hasta que no quede nada de refrigerante en el sistema.

Cuando se realice la carga final de nitrógeno de alta pureza, el sistema se deberá ventilar a presión atmosférica para poder realizar el trabajo. Esta operación es absolutamente fundamental si se van a realizar soldaduras en la tubería. Asegúrese de que la salida de la bomba de vacío no está cerca de ninguna fuente de ignición y que haya una buena ventilación.

11. INFORMACIÓN PARA EL SERVICIO TÉCNICO

11.16 PROCEDIMIENTOS DE CARGA

Además de los procedimientos convencionales de carga, se deberán seguir las siguientes normas:

- Asegúrese de que no se contaminan los distintos refrigerantes al utilizar el equipo de carga. Las mangueras o tubos deberán ser lo más cortos que sea posible para reducir al mínimo la cantidad de refrigerante contenido en ellos.
- Los cilindros deberán mantenerse en posición vertical.
- Asegúrese de que el sistema de refrigeración está conectado a tierra antes de cargar el sistema con refrigerante.
- Etiquete el sistema después de realizar la carga (si no lo ha hecho todavía).
- Debe extremarse la precaución para no sobrecargar el sistema de refrigeración.
- Antes de recargar el sistema deberá probarse la presión del mismo con nitrógeno de alta pureza. Después de la carga del sistema deberá realizarse una prueba de fugas del sistema (antes de la puesta en servicio). Prueba de fugas.

11.17 DESMANTELAMIENTO

Antes de llevar a cabo este procedimiento, es esencial que el técnico esté totalmente familiarizado con el equipo y con todos sus detalles. La buena práctica recomendada es recuperar todos los refrigerantes de forma segura. Antes de realizar la tarea, se tomará una muestra de aceite y refrigerante.

En caso de que se requiera analizar el refrigerante recuperado antes de reutilizarlo. Es esencial disponer de energía eléctrica para poder comenzar la tarea.

- a) Familiarícese con el equipo y su funcionamiento.
- b) El sistema debe estar aislado de la electricidad
- c) Antes de efectuar la operación asegúrese de que:
 - dispone de equipo mecánico de manipulación, si es necesario, para el manejo de los cilindros de refrigerante;
 - todo el equipo de protección personal está disponible y se utiliza correctamente;
 - el proceso de recuperación es supervisado en todo momento por una persona competente;
 - el equipo de recuperación y los cilindros se ajustan a las normas correspondientes.
- d) Retire el refrigerante del sistema, si es posible.
- e) Si no es posible hacer el vacío, coloque un colector de manera que el refrigerante puede ser retirado de las diversas partes del sistema.
- f) Asegúrese de que el cilindro se encuentra sobre las básculas antes de realizar la recuperación.
- g) Arranque la máquina de recuperación y opere según las instrucciones del fabricante.
- h) No llene los cilindros en exceso. (No más del 80% del volumen de carga líquida).
- i) No exceda la presión máxima del cilindro, aunque sea temporalmente.
- j) Cuando los cilindros se hayan llenado correctamente y el proceso haya terminado, asegúrese de que los cilindros y los equipos se retiran del sitio rápidamente y que todas las válvulas de aislamiento están cerradas.
- k) El refrigerante recuperado no se cargará en otro sistema de refrigeración a menos que haya sido limpiado y comprobado.

11.18 ETIQUETADO

El equipo debe ser etiquetado indicando que se ha desmantelado y que se ha vaciado de refrigerante. La etiqueta deberá estar fechada y firmada. Asegúrese de que no hay etiquetas en el equipo indicando que el equipo contiene refrigerante inflamable.

11. INFORMACIÓN PARA EL SERVICIO TÉCNICO

11.19 RECUPERACIÓN

- Al retirar el refrigerante de un sistema, ya sea para desmantelarlo o para repararlo, se recomienda encarecidamente que los refrigerantes se extraigan de forma segura.
- Al transferir el refrigerante a los cilindros, asegúrese de que solo se emplean cilindros de recuperación adecuados para el refrigerante. Asegúrese de que dispone de cilindros suficientes para la carga total del sistema. Todos los cilindros que se utilizarán deben estar diseñados para el refrigerante recuperado y etiquetados para dicho refrigerante (es decir, cilindros especiales para la recuperación de refrigerante). Los cilindros deben disponer de válvula de alivio de presión y válvulas de cierre en buen estado de funcionamiento.
- Los cilindros de recuperación se deben haber vaciado y, si es posible, enfriados antes de realizar la recuperación.
- El equipo de recuperación deberá estar en buen estado de funcionamiento y deberá ser adecuado para la recuperación de refrigerantes inflamables; además, deberá tener a mano instrucciones relativas al equipo. Además, debe disponer de un conjunto de básculas calibradas y en buen estado de funcionamiento.
- Las mangueras deben incluir acoplamientos para la desconexión sin fugas y en buenas condiciones. Antes de usar la máquina de recuperación, compruebe que está en estado de funcionamiento satisfactorio, que se ha mantenido correctamente y que los componentes eléctricos asociados están sellados para evitar la posible ignición en el caso de una fuga de refrigerante. Consulte con el fabricante en caso de duda.
- El refrigerante recuperado debe devolverse al proveedor de refrigerante en un cilindro de recuperación adecuado con la nota de transferencia de residuos correspondiente. No mezcle refrigerantes en las unidades de recuperación y, especialmente, en los cilindros.
- Si se van a quitar los compresores o los aceites del compresor, asegúrese de que se han vaciado a un nivel aceptable para asegurarse de que el refrigerante inflamable no permanezca dentro del lubricante. El proceso de vaciado se debe realizar antes de devolver el compresor a los proveedores. Para acelerar este proceso solo se debe utilizar calefacción eléctrica con el cuerpo del compresor. Cuando se extrae el aceite del sistema, debe desecharse adecuadamente..

11.20 TRANSPORTE, MARCADO Y ALMACENAMIENTO DE UNIDADES

1. El transporte de equipos que contengan refrigerantes inflamables debe realizarse cumpliendo las normas de transporte
2. El marcado de los equipos debe realizarse con señales que cumplan las regulaciones locales
3. La eliminación de equipos que contengan refrigerantes inflamables debe realizarse cumpliendo las normas nacionales.

4. Almacenamiento de equipos/electrodomésticos

El almacenamiento del equipo debe realizarse de acuerdo con las instrucciones del fabricante.

5. Almacenamiento del equipo empaquetado (sin vender)

El paquete de protección para el almacenamiento deberá estar construido de tal manera que un daño mecánico al equipo dentro del paquete no provoque una fuga de la carga de refrigerante.

El número máximo de equipos que se permiten almacenar juntos estará determinado por las regulaciones locales.

Ce produit a été conçu en conformité avec la directive "Basse Tension" (2014/35/CE) et la directive sur la compatibilité électromagnétique (2014/30/CE) de l'Union européenne.



Élimination appropriée de ce produit (Appareils électriques et électroniques usagés)

(Lorsque vous utilisez ce climatiseur dans les pays européens, il convient d'appliquer les directives suivantes.)

- Ce marquage figurant sur le produit ou sa documentation indique que les déchets d'équipements électriques et électroniques (DEEE conformément à la directive 2012/19/UE) ne devront pas être mélangés avec les déchets ménagers généraux. Il est interdit de jeter cet appareil avec les ordures ménagères.

Plusieurs possibilités s'offrent à vous, pour l'élimination :

1. Votre municipalité a mis en place des systèmes de collecte, grâce auxquels les utilisateurs peuvent se débarrasser de leurs déchets électroniques gratuitement.
2. Lorsque vous achetez un nouveau produit, le détaillant reprend l'ancien produit gratuitement.
3. Le fabricant reprend gratuitement l'ancien appareil pour l'éliminer.
4. Comme les anciens produits contiennent des matériaux de valeur, ils peuvent être vendus à des ferrailleurs.

L'élimination sauvage de déchets dans les forêts et la nature met en péril votre santé, car des substances dangereuses peuvent s'infiltrer dans le sol et se retrouver dans les produits alimentaires que vous consommez.

Ce produit contient des gaz fluorés visés par le protocole de Kyoto

Nom chimique du gaz	R410A/R32
Potentiel de réchauffement de la planète (PRP) propre au gaz	2088/675

⚠ MISE EN GARDE

1. Collez l'étiquette décrivant le type de fluide frigorigène utilisé à côté de l'emplacement de chargement et/ou de récupération.
2. Inscrivez clairement la quantité de fluide frigorigène chargée sur l'étiquette du fluide frigorigène en utilisant de l'encre indélébile.
3. Évitez les émissions du gaz fluoré contenu dans l'appareil. Assurez-vous que le gaz fluoré n'est jamais évacué dans l'atmosphère pendant l'installation, l'entretien ou l'élimination. Lorsqu'une fuite du gaz fluoré contenu dans l'appareil a été détectée, celle-ci devra être interrompue et l'ouverture colmatée dès que possible.
4. Seul le personnel de maintenance qualifié est autorisé à accéder et à entretenir ce produit.
5. Toute manipulation du gaz fluoré contenu dans ce produit, comme par exemple au moment du déplacement du produit ou de la recharge du gaz, devra être conforme au règlement (CE) n° 517/2014 sur certains gaz fluorés à effet de serre et toute législation locale pertinente.
6. Contactez les revendeurs, les installateurs, etc., pour toute question.



Mise en garde : **Risque d'incendie pour le fluide frigorigène R32/R290 uniquement**

Le fabricant se réserve le droit de modifier les caractéristiques du produit sans préavis.

TABLE DES MATIÈRES

1. PRÉPARATION DE L'INSTALLATION	3
2. PRÉSENTATION DE L'INSTALLATION	7
3. SCHÉMA D'INSTALLATION	8
4. SPÉCIFICATIONS.....	9
5. INSTALLATION DE L'UNITÉ EXTÉRIEURE	10
5.1 Instructions d'installation de l'unité extérieure.....	10
5.2 Installation du joint d'évacuation	12
5.3 Remarques relatives au perçage du trou dans le mur	12
5.4 Choix d'une unité intérieure 24K	12
6. RACCORDEMENT DE LA TUYAUTERIE POUR LE PRODUIT FRIGORIGÈNE	13
7. CÂBLAGE.....	15
7.1 Consignes de sécurité.....	15
7.2 Câblage de l'unité extérieure	15
7.3 Schéma de câblage.....	17
8. ÉVACUATION DE L'AIR	20
8.2 Instructions d'évacuation.....	20
8.4 Remarque sur l'ajout de produit frigorigène	21
9. SÉQUENCE DE TEST	22
10. FONCTION DE CORRECTION AUTOMATIQUE DU CÂBLAGE ET DE LA TUYAUTERIE.....	23
11. INFORMATIONS RELATIVES À L'ENTRETIEN	24

Type	Nom du modèle	Dimension (ODU)	Tension nominale et Hz
Unité extérieure	38QUS014DS2*/38QUS014D8S2*	800x333x554	220-240V~ 50Hz
	38QUS018DS2*/38QUS018D8S2*		
	38QUS021DS3*/38QUS021D8S3*	845x363x702	
	38QUS027DS3*/38QUS027D8S3*		
	38QUS028DS4*/38QUS028D8S4*	946x410x810	
	38QUS036DS4*/38QUS036D8S4*		
Unité intérieure fixée au mur	38QUS042DS5*/38QUS042D8S5*	805x330x554	
	38QUS014D8S2-1/38QUS018D8S2-2		
	38QUS021D8S3-1/38QUS027D8S3-2	890x342x673	
	42QHC007D8S*/42QHC009D8S*	730x192x291	
	42QHC012D8S*	812x192x300	
	42QHC018D8S*	973x218x319	
	42QHC024D8S*	1082x225x338	
	42QHB09E8S*	722x187x290	
	42QHB12E8S*	802x189x297	
	42QHB18D8S*	965x215x319	
	42QHB24D8S*	1080x226x335	
	42QHG007D8S*/42QHG009D8S*	726x210x291	
	42QHG012D8S*	835x208x295	
	42QHG018D8S*	969x241x320	
	42QHG024D8S*	1083x244x336	
	42QHE07D8SH*/42QHE09D8SH*/42QHE12D8SH*	795x225x295	
	42QHE18D8SH*	965x239x319	
	42QHE24D8SH*	1140x370x275	
	Type de conduit Unité intérieure	42QSS007D8S*/42QSS009D8S*/42QSS012D8S*	700x450x200
		42QSS018D8S*	880x674x210
Type de cassette Unité intérieure	42QSS024D8S*/42QSS024DS*(R410A Only)	1100x774x249	
Type de console Unité intérieure	42QTD007D8S*/42QTD009D8S*/42QTD012D8S*/42QTD018D8S*	570x570x260	
	42QTD024D8S*/42QTD024DS*(R410A Only)	830x830x205/840x840x245	
Type de console Unité intérieure	42QZA012D8S*/42QZA018D8S*	700x600x210	
	42QZL018D8S*	1068x675x235	
	42QZL024D8S*/42QZL024DS*(R410A Only)	1068x675x235	

1. PRÉPARATION DE L'INSTALLATION

1.1 Consignes de sécurité

- L'installation, la mise en service et l'entretien des équipements de climatisation peuvent s'avérer dangereux en raison de la pression du système, des composants électriques et de l'emplacement des équipements (toits, structures surélevées, etc.).
- Seul un installateur ou un technicien qualifié et formé doit installer, démarrer et entretenir cet équipement.
- Lorsque vous utilisez cet équipement, respectez les précautions mentionnées dans la documentation et sur les étiquettes et autocollants apposés dessus.
- Respectez tous les codes de sécurité. Portez des lunettes de sécurité et des gants de travail. Lors du brasage, gardez toujours à proximité de vous un chiffon humide et un extincteur. Faites particulièrement attention lors de la manipulation, du réglage et de la mise place du matériel encombrant.
- Lisez attentivement ces instructions et respectez tous les avertissements ou mises en garde figurant dans le guide et joints à l'appareil. Consultez les codes de construction locaux et le code national de l'électricité pour connaître les exigences particulières.



AVERTISSEMENT

Ce symbole indique un risque de blessures ou de décès.

- **Le gaz réfrigérant est plus lourd que l'air et remplace l'oxygène. Une fuite importante peut conduire à un appauvrissement en oxygène, en particulier dans les sous-sols et à un risque d'asphyxie, entraînant des blessures graves ou la mort.**
- **Lorsque le climatiseur est installé dans une petite pièce, les mesures appropriées doivent être prises pour veiller à ce que la concentration de produit frigorigène dans la pièce en cas de fuite ne dépasse pas le niveau critique.**
- **En cas de fuite de gaz réfrigérant pendant l'installation, aérez immédiatement la zone.**
Le gaz réfrigérant peut produire un gaz toxique s'il entre en contact avec une flamme, par exemple celle d'un générateur d'air chaud, d'une cuisinière ou d'un appareil de cuisson.
L'exposition à ce gaz peut provoquer des blessures graves ou la mort.
- **Débranchez l'appareil de la source d'alimentation avant toute intervention électrique. Branchez correctement le câble de connexion.**
Une mauvaise connexion peut endommager les composants électriques.
- **Utilisez les câbles spécifiés pour les raccordements électriques et raccordez fermement à la borne de sorte que cette dernière ne soit pas soumise à la force extérieure.**
- **Veillez à bien effectuer la mise à la terre.**
Ne reliez pas ces appareils à des conduites de gaz, à des conduites d'eau, à des paratonnerres ou à des câbles téléphoniques. Une mise à la terre incomplète peut provoquer des chocs électriques graves, entraînant des blessures ou la mort.
- **Débarrassez-vous des emballages de manière sûre.**
Les éléments d'emballage, tels que les clous et autres pièces métalliques ou en bois, peuvent provoquer des blessures par perforation ou autres. Déchirez les emballages en plastique et jetez-les pour éviter que les enfants ne jouent avec. Les enfants qui jouent avec des emballages en plastique s'exposent à un risque d'étouffement.
- **N'installez pas l'appareil à proximité de concentrations de gaz ou de vapeurs de gaz combustible.**
- **Veillez à utiliser les pièces d'installation fournies ou appropriées.**
L'utilisation d'autres pièces peut entraîner la détérioration de l'appareil, des fuites d'eau, des chocs électriques, des incendies ou un dommage matériel.
- **Lorsque vous installez le système ou que vous le déplacez, veillez à ce que l'air ou des substances autres que le liquide réfrigérant spécifié (R410A/R32) ne pénètrent pas dans le cycle de réfrigération.**
- **Cet appareil intérieur de type conduit et cassette doit être entretenu par du personnel qualifié et installé à au moins 2,5 m du sol.**
- **Les travaux électriques doivent être effectués en conformité avec le manuel d'installation et les codes de câblage électrique locaux, régionaux et nationaux.**
- **Veillez à utiliser un circuit d'alimentation dédié. N'utilisez pas une prise de courant à laquelle un autre appareil est déjà branché.**

1. PRÉPARATION DE L'INSTALLATION

AVERTISSEMENT

- Afin d'éviter tout danger dû à un réenclenchement intempestif de la protection thermique, cet appareil ne devra pas être alimenté par un dispositif de commutation externe, tel qu'une minuterie, ni être connecté à un circuit qui est régulièrement interrompu et rétabli par le service public.
- Utilisez des câbles prescrits pour le raccordement électrique dotés d'une gaine isolante ayant une température nominale appropriée.
Les câbles non-conformes peuvent provoquer une fuite électrique, une production de chaleur anormale ou un incendie.
Remarque : Les informations suivantes sont requises pour les unités utilisant du fluide frigorigène R32/R290.
- L'appareil devra être entreposé dans une pièce exempte de sources potentielles d'ignition fonctionnant en permanence. (Par exemple : des flammes nues, un appareil fonctionnant au gaz ou un appareil de chauffage électrique en fonctionnement).
- Évitez que celui-ci soit percé ou incinéré.
- Soyez conscient(e) du fait que les réfrigérants peuvent être inodores.
- Le respect des réglementations nationales sur le gaz devra être pris en compte.
- L'appareil devra être entreposé dans une pièce adéquatement ventilée correspondant à une surface de pièce adaptée à son fonctionnement.
- L'appareil devra être installé, utilisé et entreposé dans une pièce d'une superficie supérieure à $X \text{ m}^2$, et l'installation des tuyaux devra être maintenue à un minimum de $X \text{ m}^2$ (Veuillez consulter le formulaire suivant).
- L'appareil ne devra pas être installé dans un espace non aéré, si cet espace est inférieur à $X \text{ m}^2$ (Veuillez consulter le formulaire suivant). Espaces dans lesquels les tuyaux du réfrigérant devront être conformes aux réglementations nationales sur le gaz.

Modèle (Btu/h)	Quantité de fluide frigorigène à charger (kg)	Hauteur d'installation maximale (m)	Surface minimale de la pièce (m^2)
≤ 30000	≤ 2,048	1,8 m	4
		0,6 m	35
30000-48000	2,048-3,0	1,8 m	8
		0,6 m	80
> 48000	> 3,0	1,8 m	9
		0,6 m	80

Remarque concernant les gaz fluorés

- Ce climatiseur contient des gaz fluorés. Pour des informations spécifiques sur le type de gaz et sa quantité, veuillez vous reporter à l'étiquette correspondante apposée sur l'appareil.
- L'installation, le service, l'entretien et la réparation de cet appareil doivent être effectués par un technicien qualifié.
- La désinstallation et le recyclage de l'appareil doivent être effectués par un technicien qualifié.
- Si l'appareil dispose d'un système de détection des fuites, l'absence de fuites doit être vérifiée au moins tous les 12 mois.
- Lors de la vérification des fuites, un relevé approprié de tous les contrôles est fortement recommandé..

1. PRÉPARATION DE L'INSTALLATION

ATTENTION

Ce symbole indique un risque de dommages matériels ou de conséquences graves.

- Pour éviter de vous blesser, soyez prudent lorsque vous manipulez des pièces avec des arêtes vives.
- N'installez pas les unités intérieures ou extérieures dans des conditions environnementales spéciales.
- N'installez pas l'appareil dans un endroit susceptible d'amplifier son niveau sonore ou dans lequel le bruit ou l'évacuation de l'air peuvent représenter une nuisance pour votre voisinage.

AVERTISSEMENT

- Ne modifiez pas cet appareil en retirant une protection ou en contournant les dispositifs de verrouillage de sécurité.
- Pour éviter tout risque dû à la réinitialisation accidentelle du coupe-circuit thermique, cet appareil ne doit pas être alimenté par un dispositif de commutation externe, comme un temporisateur, ni être connecté à un circuit qui est régulièrement activé et désactivé par le service fournisseur.
- Utilisez les câbles prescrits pour le raccordement électrique et protégez-les à l'aide d'une gaine d'isolation à une température appropriée.

Des câbles non conformes peuvent provoquer une fuite électrique, une production de chaleur anormale ou un incendie.

ATTENTION



Ce symbole indique un risque de dommages matériels ou de conséquences graves.

- Effectuez les travaux de tuyauterie/d'évacuation en toute sécurité en suivant le manuel d'installation.
- Une tuyauterie d'évacuation inadaptée peut entraîner des fuites d'eau et des dommages matériels.
- N'installez pas le climatiseur aux endroits suivants.
 - Endroits où se trouvent de l'huile minérale ou de l'acide arsénique.
 - Endroits où des gaz corrosifs (comme des gaz d'acide sulfureux) ou des gaz combustibles (comme du diluant) peuvent s'accumuler ou à un endroit où des substances combustibles volatiles sont manipulées.
 - Endroits où se trouvent des équipements qui génèrent des champs électromagnétiques ou des harmoniques hautes fréquences.

1. PRÉPARATION DE L'INSTALLATION

1.2 Accessoires

Le système de climatisation est livré avec les accessoires suivants. Utilisez tous les composants et accessoires lors de l'installation du climatiseur. Toute erreur d'installation peut provoquer des fuites d'eau, des chocs électriques, des incendies ou des pannes d'équipement.

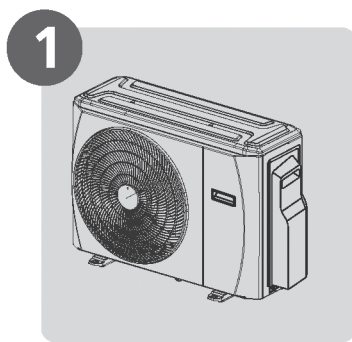
Nom		Aspect	Quantité
Plaque d'installation			1
Gaine d'extension en plastique			5-8 (selon les modèles)
Vis autotaraudeuse A ST3.9X25			5-8 (selon les modèles)
Joint d'évacuation (pour certains modèles)			1
Bague d'étanchéité (pour certains modèles)			1
Ensemble tuyau de raccordement	Robinet de service	Ø6,35	Composants que vous devez vous procurer. Consultez un technicien pour connaître les dimensions appropriées.
		Ø9,52	
	Côté gaz	Ø9,52	
		Ø12,7	
		Ø15,9	
Manuel d'utilisation			1
Manuel d'installation			1
Connecteur de transfert (conditionné avec l'unité intérieure ou extérieure, selon les modèles) REMARQUE : les dimensions de tuyaux peuvent varier d'un appareil à un autre. Pour s'adapter aux diverses dimensions de tuyaux requises, il est parfois nécessaire de compléter les raccords de tuyau par un connecteur de transfert installé sur l'unité extérieure.			Composant en option (une pièce/une unité intérieure)
			Composant en option (1 à 5 pièces pour l'unité extérieure, selon les modèles)
Bague magnétique (à fixer sur le câble de connexion entre l'unité intérieure et l'unité extérieure après l'installation)			Composant en option (une pièce/un câble)
Anneau de protection de cordon en caoutchouc (Si vous ne parvenez pas à faire tenir le collier de cordon sur un cordon de petites dimensions, placez l'anneau de protection de cordon en caoutchouc [fourni avec les accessoires] autour du cordon. Fixez-le ensuite à l'aide du collier de cordon.)			1 (sur certains modèles)

Accessoires en option

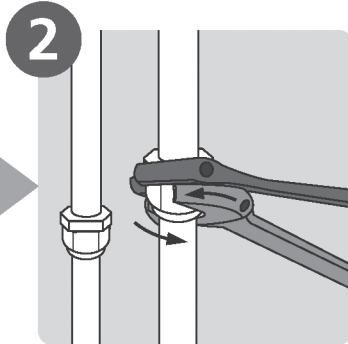
Deux types de télécommandes sont proposés : filaire et sans fil. Choisissez votre télécommande en fonction des préférences et des besoins du client, et installez-la à un endroit qui convient. Reportez-vous aux catalogues et à la documentation technique pour vous aider à choisir la bonne télécommande.

2. PRÉSENTATION DE L'INSTALLATION

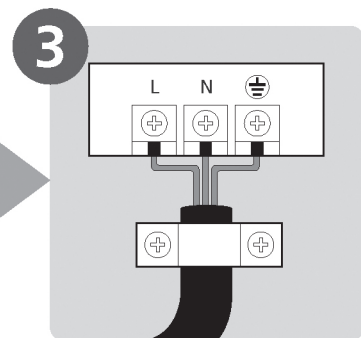
2.1 Ordre d'installation



1
Installation de l'unité
extérieure
(page 9)



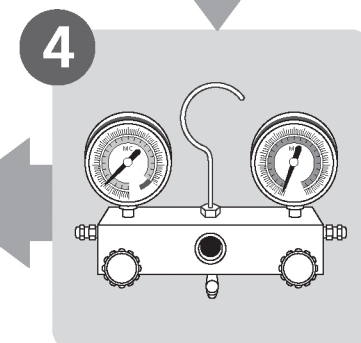
2
Raccordement
de la tuyauterie
de produit frigorigène
(page 12)



3
Branchement des câbles
(page 14)



5
Exécution d'une
séquence de test
(page 21)



4
Évacuation du système
de climatisation
(page 19)

3. SCHÉMA D'INSTALLATION

3.1 Schéma d'installation

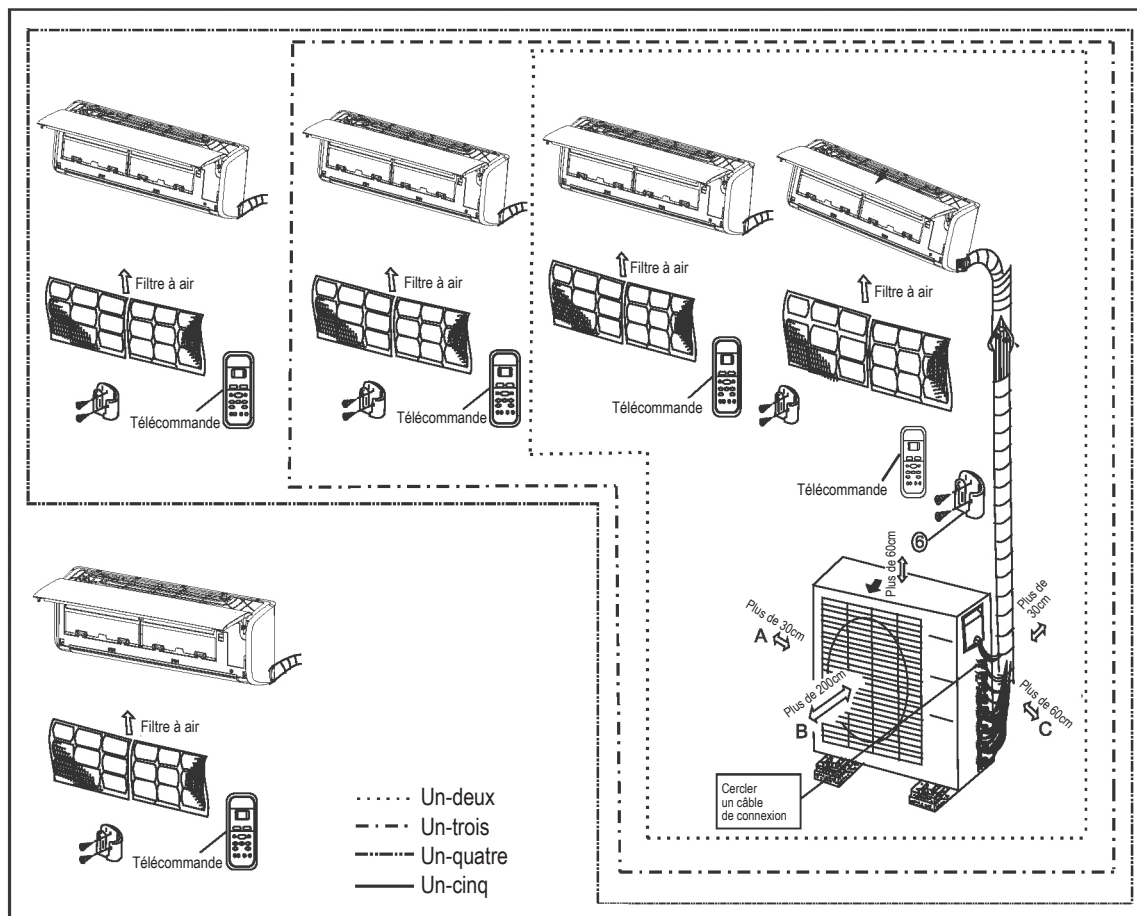


Fig. 3.1

Consignes de sécurité

⚠ ATTENTION

- Ce schéma est fourni uniquement à titre de démonstration. Votre climatiseur peut en réalité présenter une forme légèrement différente.
- Les conduites en cuivre doivent être isolées individuellement.

⚠ ATTENTION

- Afin de ne pas endommager le mur, utilisez un détecteur de montants pour repérer les montants.
- Une longueur de tuyau d'au moins 3 mètres est nécessaire pour réduire le plus possible les vibrations et bruits excessifs.
- Sur les trois voies de circulation d'air A, B et C, deux doivent être parfaitement dégagées à tout moment.

4. SPÉCIFICATIONS

Tableau 4.1

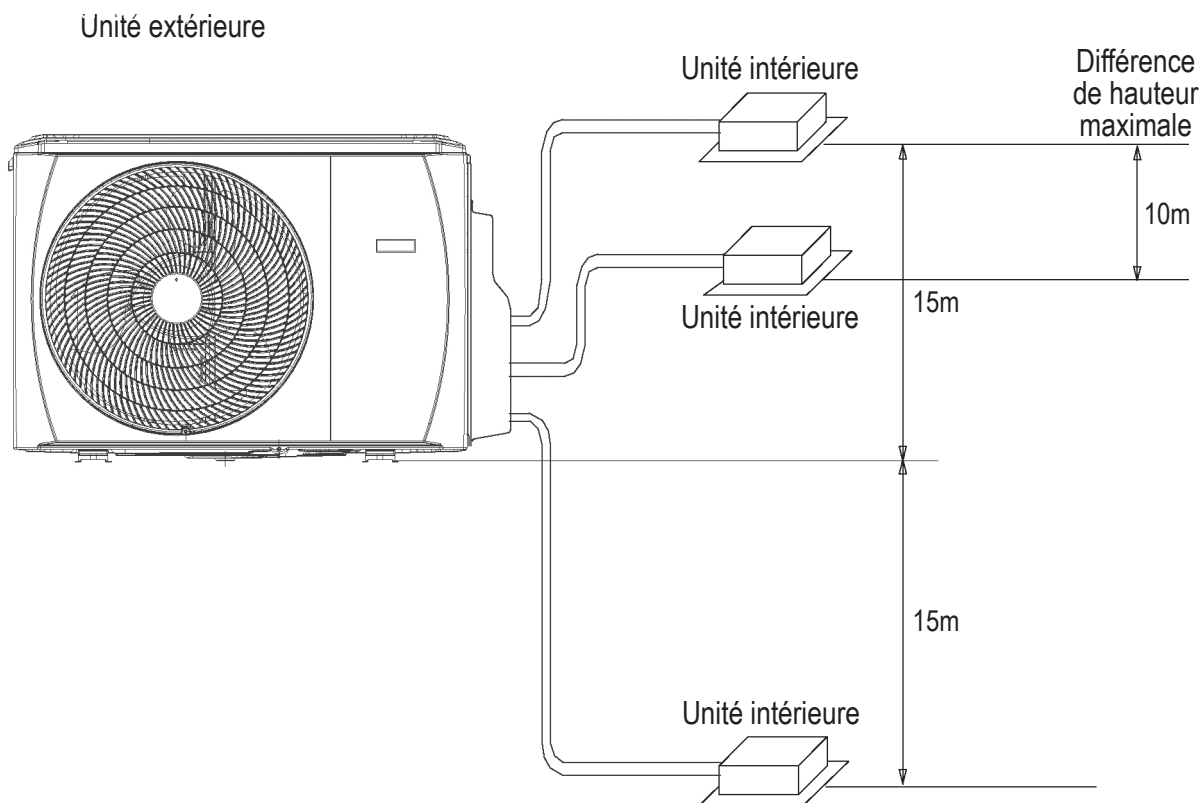
Nombre d'unités qui peuvent être utilisées simultanément	Unités raccordées	1-5 unités
Fréquence d'arrêt/de démarrage du compresseur	Temps d'arrêt	3 min ou plus
Tension de la source d'alimentation	Fluctuation de tension	$\pm 10\%$ de la tension nominale
	Baisse de tension au démarrage	$\pm 15\%$ de la tension nominale
	Déséquilibre d'intervalle	$\pm 3\%$ de la tension nominale

Tableau 4.2

Unité : m

Modèle (Btu/h)	1 drive 2		1 drive 3		1 drive 4		1 drive 5
	14k	18k	21k	27k	28k	36k	42k
Longueur maximale pour toutes les pièces	40	40	60	60	80	80	80
Longueur maximale pour une unité intérieure	25	25	25	30	30	35	35
Différence de hauteur maximale entre l'unité intérieure et l'unité extérieure	OU supérieure à IU		15	15	15	15	15
	OU inférieure à IU		15	15	15	15	15
Hauteur max. différente entre les unités intérieures	10	10	10	10	10	10	10

Lors de l'installation de plusieurs unités intérieures associées à une seule unité extérieure, veillez à ce que la longueur de la conduite de produit frigorigène et que la hauteur de chute entre les unités intérieure et extérieure répondent aux exigences illustrées dans le schéma suivant :



5. INSTALLATION DE L'UNITÉ EXTÉRIEURE

5.1 Instructions d'installation de l'unité extérieure

Étape 1 : Sélectionnez l'emplacement d'installation.

Il est recommandé d'installer l'unité extérieure à un emplacement qui remplit les critères suivants :

- Placez l'unité extérieure le plus près possible de l'unité intérieure.
- Assurez-vous que l'espace est suffisant pour l'installation et la maintenance.
- L'entrée et la sortie d'air ne doivent être ni obstruées ni exposées à des vents violents.
- Veillez à installer l'unité à un emplacement qui n'est pas exposé aux congères ou à l'accumulation de feuilles et autres débris saisonniers. Prévoyez si possible l'installation d'un auvent. Veillez que l'auvent ne gêne pas la circulation de l'air.
- L'unité doit être installée dans une zone sèche et bien ventilée.
- La zone doit être suffisamment spacieuse pour pouvoir installer les tuyaux et les câbles de raccordement, mais aussi pour permettre l'entretien.

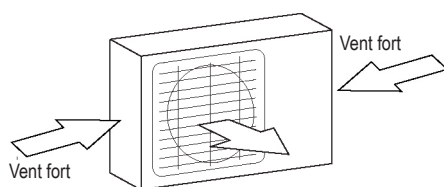


Fig. 5.1

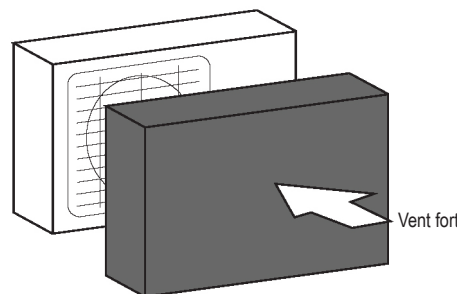


Fig. 5.2

Étape 2 : Installez l'unité extérieure.

Fixez l'unité extérieure à l'aide des boulons d'ancrage (M10).

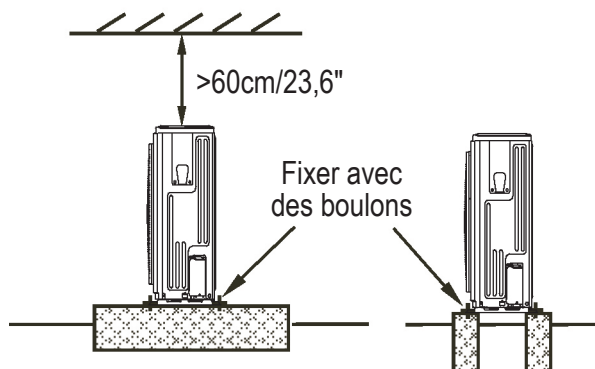


Fig. 5.3

- La zone doit être exempte de produits chimiques et de gaz combustibles.
- La longueur de tuyau entre l'unité extérieure et l'unité intérieure ne doit pas dépasser la longueur maximale autorisée pour le tuyau.
- Si possible, **ÉVITEZ** d'installer l'unité à un endroit exposé à la lumière directe du soleil.
- Si possible, veillez à installer l'unité à bonne distance des propriétés voisines afin d'éviter que le bruit émis ne trouble le voisinage.
- Si le lieu d'installation est exposé à des vents forts (par exemple, en bord de mer), placez l'unité contre un mur pour la protéger. Si nécessaire, utilisez un auvent. (Voir Fig. 5.1 et 5.2.)
- Installez les unités intérieure et extérieure, les câbles et les fils à au moins 1 mètre des postes de télévision ou de radio afin d'éviter toute déformation statique ou d'image. Selon les ondes radio, il est possible qu'une distance de 1 mètre ne suffise pas à éliminer la totalité des interférences.

! ATTENTION

- Veillez à retirer tout obstacle susceptible de bloquer la circulation de l'air.
- Reportez-vous aux spécifications de longueur afin de vérifier que vous disposez de l'espace suffisant pour l'installation et l'entretien.

5. INSTALLATION DE L'UNITÉ EXTÉRIEURE

Unité extérieure à deux blocs

(Voir Fig. 5.4, 5.5, 5.6, 5.9 et Tableau 5.1)

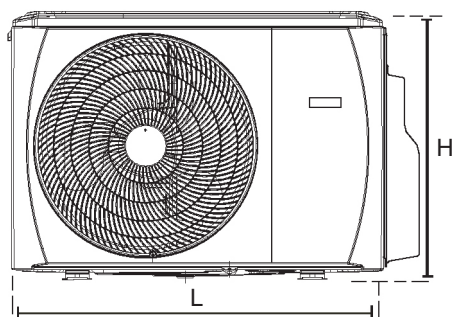


Fig. 5.4

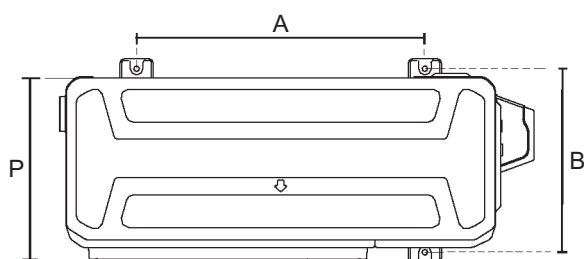


Fig. 5.5

Rangées de l'installation série

Tableau 5.2 Les relations entre les valeurs H, A et L sont les suivantes.

	L	A
L ≤ H	L ≤ 1/2 H	25 cm/9,8" ou plus
	1/2H < L ≤ H	30 cm/11,8" ou plus
L > H	Installation impossible	

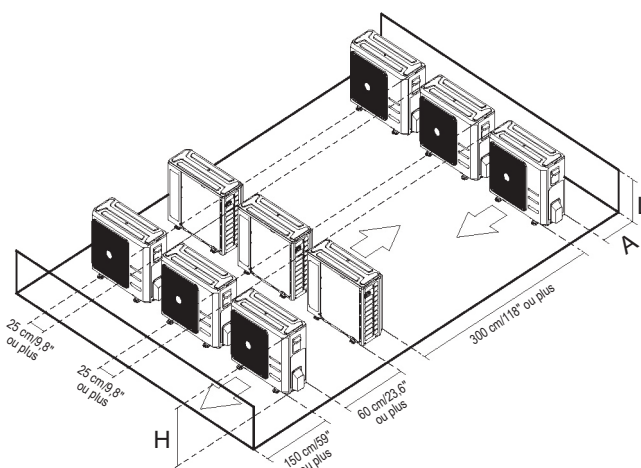


Fig. 5.6

Tableau 5.1 : Spécifications de longueur de l'unité extérieure à deux blocs (unité : mm)

Dimensions de l'unité extérieure LxHxP	Dimensions de montage	
	Distance A	Distance B
800x554x333 (31.5x21.8x13.1)	514	340
845x702x363 (33.27x27.6x14.3)	540	350
946x810x410 (37.2x31.9x16.14)	673	403
805x554x330 (31.7x21.8x12.9)	511	317
890x673x342 (35.0x26.5x13.5)	663	354

5. INSTALLATION DE L'UNITÉ EXTÉRIEURE

REMARQUE : La distance minimale entre l'unité extérieure et les murs spécifiée dans le guide d'installation ne s'applique pas aux pièces hermétiques. Veillez à ce que l'unité soit parfaitement dégagée dans au moins deux directions (M, N, P). (Voir Fig. 5.7.)

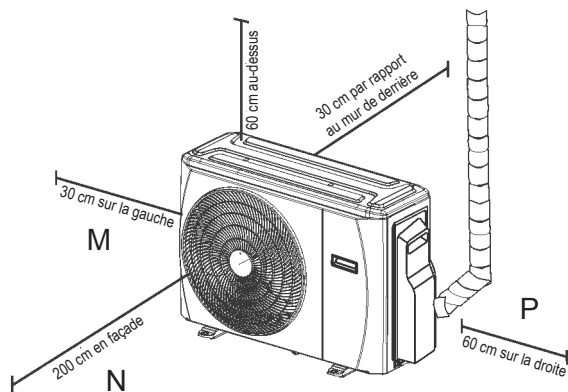


Fig. 5.7

5.2 Installation du joint d'évacuation

Avant de fixer l'unité extérieure, vous devez placer le joint d'évacuation au bas de l'unité. (Voir Fig. 5.8.)

1. Posez le joint en caoutchouc sur l'extrémité du joint d'évacuation, au point de raccordement avec l'unité extérieure.
2. Insérez le joint d'évacuation dans le trou du plateau.
3. Tournez le joint d'évacuation à 90° jusqu'à ce qu'il s'enclenche et qu'il soit orienté face à l'unité.
4. Branchez une rallonge de tuyau de vidange (non fournie) au joint d'évacuation pour évacuer l'eau lorsque l'unité fonctionne en mode chauffage.

REMARQUE : assurez-vous que l'eau s'évacue en lieu sûr, sans provoquer d'endommagement ni risque de glissade.

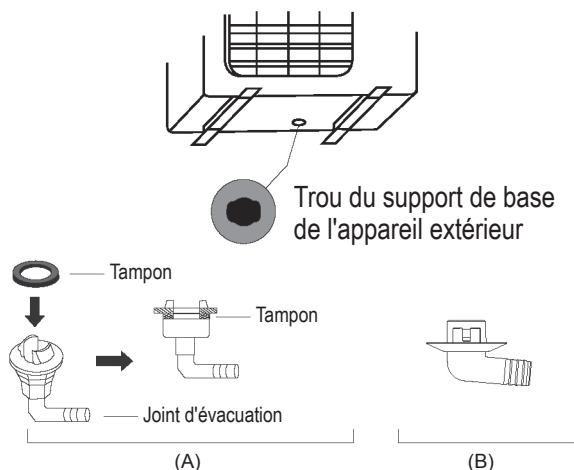


Fig. 5.8

5.3 Remarques relatives au perçage du trou dans le mur

Vous devez percer un trou dans le mur pour installer la tuyauterie de produit frigorigène et le câble de signal qui servira à relier les unités intérieure et extérieure.

1. Choisissez la position du trou mural en fonction de l'emplacement de l'unité extérieure.
2. À l'aide d'un carottier de 65 mm (2,5"), percez un trou dans le mur.

REMARQUE : lors du perçage, évitez les câbles, pièces de plomberie et autres composants sensibles.

3. Placez la manchette de protection murale dans le trou. Cette pièce protège les bords du trou et en assure l'étanchéité à la fin de la procédure d'installation.

5.4 Choix d'une unité intérieure 24K

L'unité intérieure 24K ne peut être raccordée qu'à un système A. Si deux unités intérieures 24K sont utilisées, vous pouvez les raccorder aux systèmes A et B. (Voir Fig. 5.9.)

Tableau 5.3 : dimensions du tuyau de connexion des systèmes A et B (unité : pouce)

Capacité de l'unité intérieure (Btu/h)	Réservoir	Gaz
7K/9K/12K	1/4	3/8
18K	1/4	1/2
24K	3/8	5/8

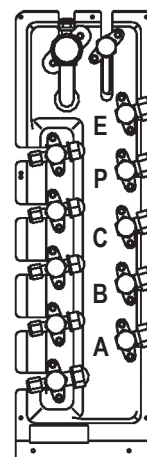


Fig. 5.9

6. RACCORDEMENT DE LA TUYAUTERIE POUR LE PRODUIT FRIGORIGÈNE

6.1 Consignes de sécurité

! AVERTISSEMENT

- Tout raccordement de tuyau extérieur doit être confié à un technicien agréé et doit être effectué conformément aux réglementations locales et nationales.
- Lorsque le climatiseur est installé dans une pièce de petite taille, des mesures doivent être prises afin d'éviter que la concentration de produit frigorigène dans la pièce dépasse la limite de sécurité en cas de fuite de produit frigorigène. Une fuite de produit frigorigène dans une concentration supérieure aux limites inhérentes du produit peut conduire à une situation dangereuse en raison d'un manque d'oxygène.
- Lors de l'installation du système de climatisation, évitez que de l'air, de la poussière, de l'humidité ou des corps étrangers ne pénètrent dans le circuit de frigorigène. Une contamination du système peut affecter la capacité de service, générer des pressions élevées dans le cycle de climatisation et provoquer des explosions ou des blessures.
- Aérez immédiatement la zone en cas de fuite de produit frigorigène survenant au cours de l'installation. Le gaz frigorigène libéré au cours d'une fuite est à la fois toxique et inflammable. Vérifiez l'absence de fuite de produit frigorigène au terme de la procédure d'installation.

Instructions relatives au raccordement de la tuyauterie de produit frigorigène

! ATTENTION

- Le tuyau de raccordement doit être installé à l'horizontale. Un angle supérieur à 10° peut provoquer des dysfonctionnements.
- **N'INSTALLEZ PAS** le tuyau de raccordement tant que les unités intérieure et extérieure n'ont pas été mises en place.
- Isolez la tuyauterie de gaz et de liquide afin de prévenir tout risque de fuite d'eau.

Étape 1 : découper les tuyaux

Lors de la préparation des tuyaux de produit frigorigène, veillez tout particulièrement à les couper et les évaser comme il convient. Cette étape garantit un fonctionnement efficace et limite les interventions d'entretien ultérieures.

1. Mesurez la distance entre l'unité intérieure et l'unité extérieure.
2. À l'aide d'un coupe-tube, coupez le tuyau à une longueur légèrement supérieure à la distance mesurée.

FR-13

! ATTENTION

NE DÉFORMEZ PAS le tuyau au moment de la découpe. Prenez toutes les précautions nécessaires pour éviter d'endommager, d'entailler ou de déformer le tuyau lors de la découpe. Ces dommages réduiraient considérablement le rendement thermique de l'unité.

1. Assurez-vous que le tuyau est parfaitement coupé à un angle de 90°. Reportez-vous à la Fig. 6.1 pour obtenir des exemples de mauvaises coupes.

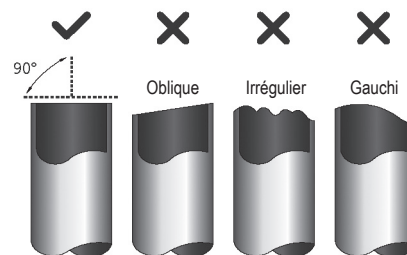


Fig. 6.1

Étape 2 : éliminer les bavures

Les bavures peuvent affecter le joint hermétique du raccord de tuyauterie de produit frigorigène. Il est crucial de les éliminer totalement.

1. Inclinez le tuyau vers le bas pour éviter que les bavures ne pénètrent dans le tuyau.
2. À l'aide d'un alésoir ou d'un ébarboir, retirez toutes les bavures de la section coupée du tuyau.

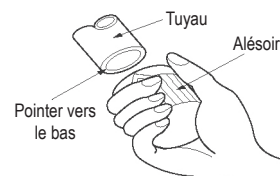


Fig. 6.2

Étape 3 : évaser les extrémités du tuyau

REMARQUE

- Pour les modèles de réfrigérant R32, les points de connexion des tuyaux doivent être placés à l'extérieur de la pièce.

Un bon évasement est indispensable pour obtenir un joint hermétique.

1. Après avoir retiré les bavures du tuyau coupé, scellez les extrémités à l'aide d'une bande de PVC afin d'empêcher les corps étrangers de pénétrer dans le tuyau.
2. Appliquez un produit isolant sur le tuyau.
3. Placez les écrous évasés sur les deux extrémités du tuyau. Veillez à bien les positionner, car vous ne pourrez ni les placer ni ajuster leur orientation une fois les extrémités évasées. Voir Fig. 6.3

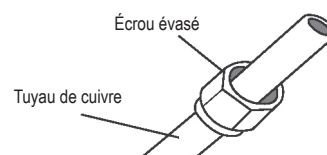


Fig. 6.3

6. RACCORDEMENT DE LA TUYAUTERIE POUR LE PRODUIT FRIGORIGÈNE

- Retirez la bande de PVC des extrémités du tuyau lorsque vous êtes prêt à effectuer le travail d'évasement.
- Fixez une forme évasée sur l'extrémité du tuyau. L'extrémité du tuyau doit dépasser la forme évasée.

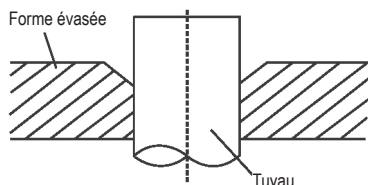


Fig. 6.4

- Placez l'outil à évaser sur la forme.
- Tournez la poignée de l'outil à évaser dans le sens horaire jusqu'à ce que le tuyau soit entièrement évasé. Évasez le tuyau selon les dimensions indiquées dans le Tableau 6.1.

Tableau 6.1 : PROLONGEMENT DU TUYAU HORS DE LA FORME ÉVASÉE

Calibre de tuyau	Couple de serrage	Dimension d'évasement (A) (Unité : mm)		Forme d'évasement
		Min.	Max.	
Ø6,4	14,2-17,2 N.m (144-176 kgf.cm)	8,3	8,3	
Ø9,5	32,7-39,9 N.m (333-407 kgf.cm)	12,4	12,4	
Ø12,7	49,5-60,3 N.m (504-616 kgf.cm)	15,4	15,8	
Ø15,9	61,8-75,4 N.m (630-770 kgf.cm)	18,6	19	
Ø19,1	97,2-118,6 N.m (990-1210 kgf.cm)	22,9	23,3	
Ø22	109,5-133,7 N.m (1117-1364 kgf.cm)	27	27,3	

Fig. 6.5

- Retirez l'outil à évaser et la forme, puis examinez l'extrémité du tuyau pour vérifier l'absence de fissures et la régularité de l'évasement.

Étape 4 : Raccorder les tuyaux

Commencez par raccorder les tuyaux de cuivre à l'unité intérieure, avant de les brancher à l'unité extérieure. Il est recommandé de raccorder le tuyau basse pression avant le tuyau haute pression.

- Lors du raccordement des écrous évasés, appliquez une fine couche d'huile frigorigène sur les extrémités évasées des tuyaux.
- Alignez le centre des deux tuyaux que vous allez raccorder.

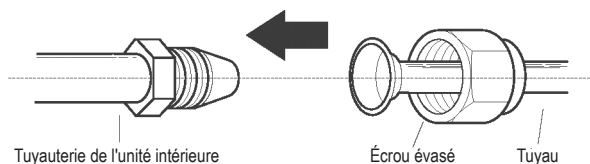


Fig. 6.6

- Serrez l'écrou évasé à la main aussi fort que possible.
- À l'aide d'une clé, serrez l'écrou sur la tuyauterie de l'unité.
- Tout en maintenant fermement l'écrou, utilisez une clé dynamométrique pour serrer l'écrou évasé selon les valeurs de couple indiquées dans le Tableau 7.1.

REMARQUE : utilisez une clé simple et une clé dynamométrique pour le branchement ou le débranchement des tuyaux sur l'unité.

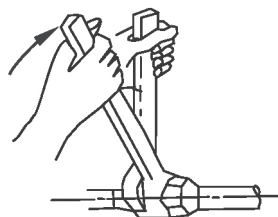


Fig. 6.7

! ATTENTION

- Veillez à entourer le tuyau d'un matériau isolant. Tout contact direct avec le tuyau nu peut présenter un risque de brûlure ou de gelure.
- Assurez-vous que le tuyau est correctement raccordé. Un serrage excessif peut endommager l'évasement et un serrage insuffisant peut entraîner des fuites.

REMARQUE SUR LE RAYON DE PLIAGE MINIMAL

Pliez soigneusement le tuyau en son centre conformément au schéma ci-dessous. NE pliez PAS le tuyau à plus de 90° ou plus de 3 fois.

Pliez le tuyau en vous aidant du pouce



Rayon min. 10 cm (3,9")

Fig. 6.8

- Une fois les tuyaux de cuivre raccordés à l'unité intérieure, regroupez le câble d'alimentation, le câble de signal et la tuyauterie à l'aide d'une bande adhésive.

REMARQUE : **N'EMMÊLEZ PAS** le câble de signal avec les autres câbles. Lorsque vous regroupez ces différentes pièces, évitez d'emmêler ou de croiser le câble de signal avec d'autres câbles.

- Tirez le tuyau dans le mur et branchez-le à l'unité extérieure.
- Isolez l'ensemble de la tuyauterie, y compris les vannes de l'unité extérieure.
- Ouvrez les vannes d'arrêt de l'unité extérieure pour commencer à faire circuler le produit frigorigène entre l'unité intérieure et l'unité extérieure.

7. CÂBLAGE

! ATTENTION

Vérifiez l'absence de fuite de produit frigorigène au terme de la procédure d'installation. En cas de fuite, aérez immédiatement la zone et évacuez le système (voir la section Évacuation de l'air du présent manuel).

7.1 Consignes de sécurité

! AVERTISSEMENT

- Veillez à débrancher l'alimentation électrique avant d'intervenir sur l'unité.
- Tous les câbles électriques doivent être raccordés conformément aux réglementations locales et nationales en vigueur.
- Le branchement des câbles électriques doit être confié à un technicien qualifié. Tout branchement incorrect peut provoquer des dysfonctionnements électriques, des blessures et des incendies.
- Vous devez utiliser un circuit indépendant et une seule prise pour cette unité. **NE BRANCHEZ PAS** un autre appareil ou un autre chargeur sur la même prise. Une capacité insuffisante du circuit électrique ou un défaut au niveau du branchement électrique peut provoquer des chocs ou des incendies et endommager l'unité et l'installation.
- Raccordez le câble d'alimentation aux bornes et serrez-le à l'aide d'une pince. Une mauvaise connexion peut être à l'origine d'un incendie.
- Assurez-vous que tous les câbles sont correctement branchés et que le cache du tableau de contrôle est installé comme il convient. À défaut, vous vous exposez à un risque d'incendie, de choc électrique et de surchauffe au niveau des points de raccordement.
- Vérifiez que l'alimentation principale est reliée à un interrupteur qui déconnecte tous les pôles, en prévoyant un intervalle de contact d'au moins 3 mm (0,118").
- **NE MODIFIEZ PAS** la longueur du cordon d'alimentation et n'utilisez pas de rallonge.

! ATTENTION

- Branchez les câbles extérieurs avant de procéder au raccordement des câbles intérieurs.
- Veillez à mettre l'unité à la terre. Le câble de terre doit se trouver à bonne distance des conduites de gaz, conduites d'eau, paratonnerres, lignes téléphoniques ou autres câbles de terre. Une mauvaise mise à la terre peut entraîner des risques d'électrocution.
- **NE BRANCHEZ PAS** l'unité à la source d'alimentation avant d'avoir terminé le raccordement de tous les câbles et tuyaux.
- Veillez à ne pas croiser les câbles électriques avec les câbles de signal en raison des risques de distorsion et d'interférence que cela peut occasionner.

Suivez ces instructions pour éviter les effets de distorsion au démarrage du compresseur :

- L'unité doit être branchée sur la prise secteur. L'alimentation électrique doit normalement présenter une faible impédance de sortie de 32 ohms.
- Aucun autre équipement ne doit être branché sur le même circuit électrique.
- Vous trouverez les informations relatives à la puissance de l'unité sur l'étiquette des caractéristiques nominales présente sur le produit.

7.2 Câblage de l'unité extérieure

! AVERTISSEMENT

Mettez le système hors tension avant d'effectuer toute intervention électrique ou tout raccordement de câble.

1. Préparez le câble au branchement
 - a. Vous devez au préalable choisir une taille de câble appropriée. Veillez à utiliser des câbles H07RN-F.

7. CÂBLAGE

Tableau 7.1 : Autres régions

Courant nominal de l'appareil (A)	Surface nominale (mm ²)
≤ 6	0,75
6 - 10	1
10 - 16	1,5
16 - 25	2,5
25 - 32	4
32 - 45	6

- b. À l'aide d'un outil à dénuder, dénudez la gaine de caoutchouc à chaque extrémité du câble de signal pour révéler les fils qu'elle renferme sur une longueur d'environ 15 cm (5,9").
- c. Dénudez l'isolation à chaque extrémité des fils.
- d. À l'aide d'une pince à sertir, fixez les cosses sur les extrémités des fils.

REMARQUE : lors du branchement des câbles, respectez scrupuleusement le schéma de câblage (que vous trouverez à l'intérieur du cache du boîtier électrique).

2. Retirez le cache électrique de l'unité extérieure. En l'absence de cache, dévissez les boulons du tableau de maintenance et retirez le panneau de protection. (Voir Fig. 8.1.)

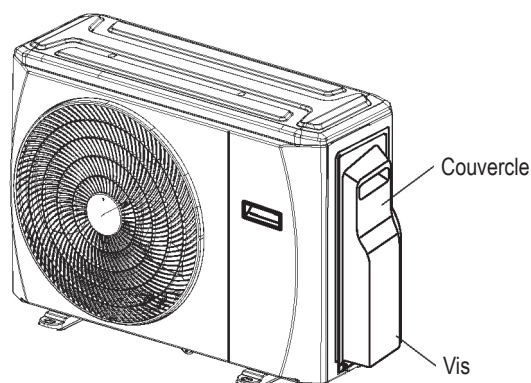


Fig. 7.1

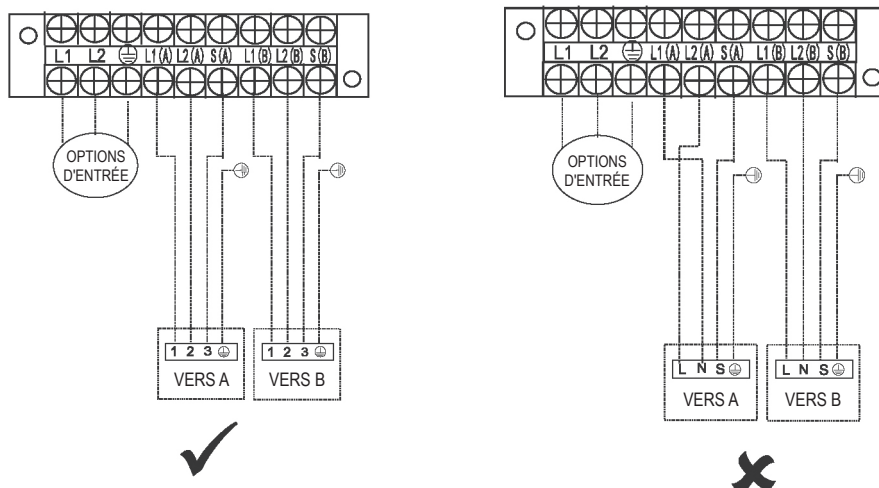
3. Branchez les cosses sur les bornes ; veillez notamment à faire correspondre les couleurs/étiquettes des câbles avec celles du bloc de jonction, puis vissez fermement la cosse de chaque câble sur la borne correspondante.
4. Serrez le câble à l'aide du serre-câble désigné.
5. Isolez les câbles inutilisés à l'aide de ruban isolant. Tenez-les éloignés de tout composant électrique ou métallique.
6. Remontez le cache du boîtier de commande électrique.

7. CÂBLAGE

7.3 Schéma de câblage

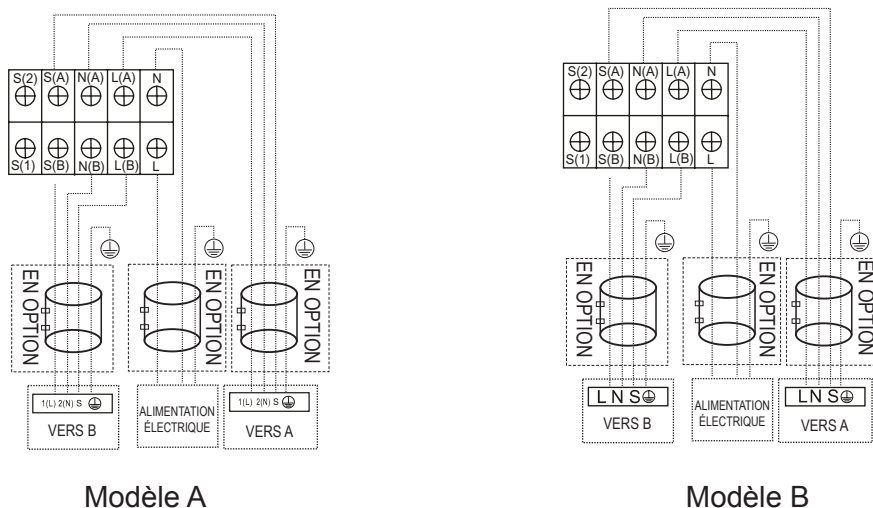
! ATTENTION

Branchez les câbles de connexion aux bornes, comme indiqué, en faisant correspondre les numéros qui figurent sur le bloc de jonction des unités intérieure et extérieure. Par exemple, sur les modèles illustrés dans le schéma suivant, la borne L1(A) de l'unité extérieure doit être reliée à la borne 1 de l'unité extérieure A.



REMARQUE : reportez-vous aux figures suivantes si l'utilisateur final souhaite effectuer lui-même le câblage.

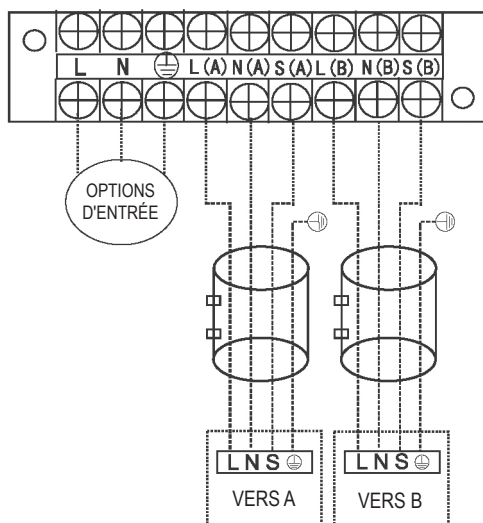
Modèles un-deux :



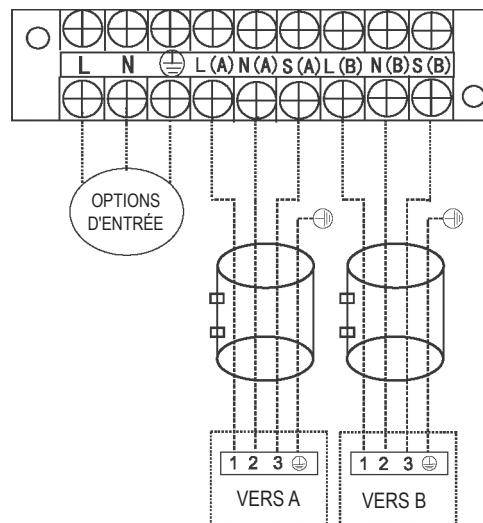
 **Bague magnétique (pièce en option non fournie)**
(se fixe sur le câble de connexion des unités intérieure et extérieure après l'installation.)

7. CÂBLAGE

Modèles un-deux :



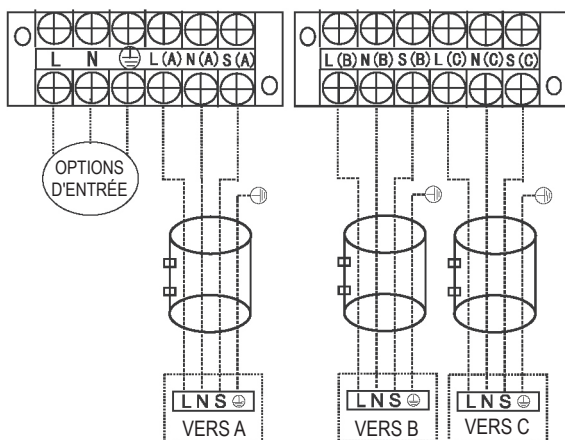
Modèle C



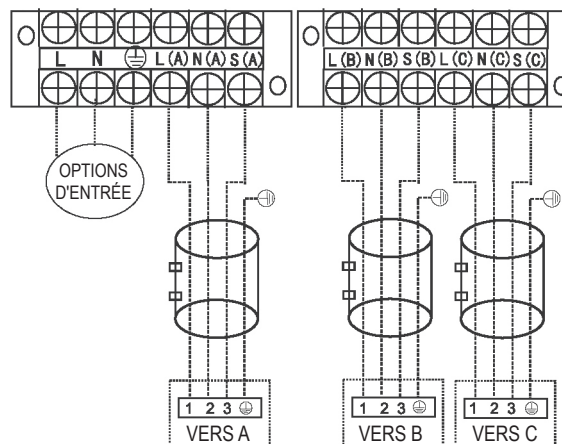
Modèle D

REMARQUE : reportez-vous aux figures suivantes si l'utilisateur final souhaite effectuer lui-même le câblage.

Modèles un-trois :

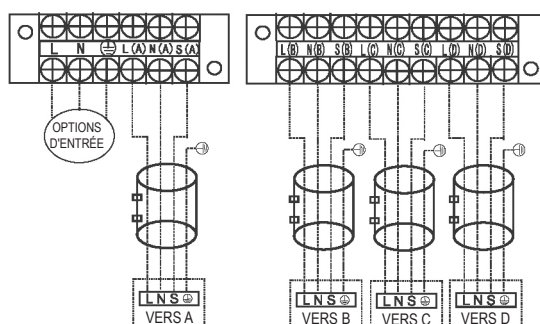


Modèle A

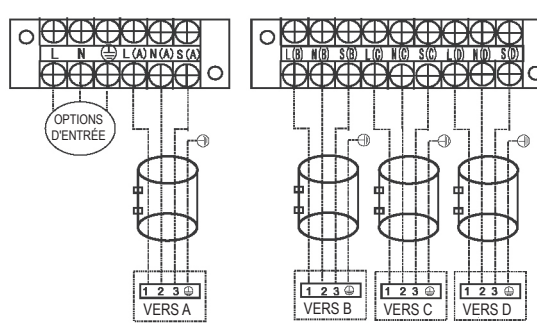


Modèle B

Modèles un-quatre :



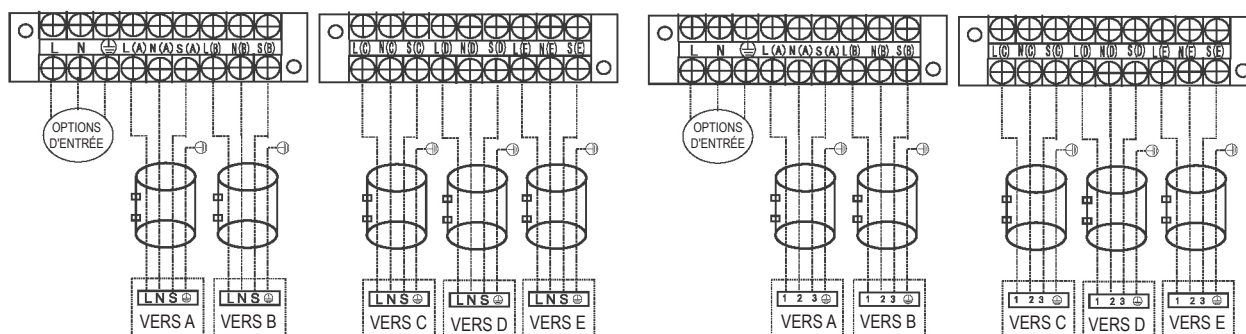
Modèle A



Modèle B

7. CÂBLAGE

Modèles un-cinq :



Modèle A

Modèle B

! ATTENTION

Après vous être assuré que les conditions ci-dessus sont remplies, respectez les recommandations suivantes lors du raccordement des câbles :

- Utilisez toujours un circuit d'alimentation individuel spécialement dédié au climatiseur. Respectez toujours le schéma de circuit illustré à l'intérieur du cache du boîtier de commande.
- Les vis qui permettent de serrer les câbles dans le boîtier des raccords électriques peuvent se desserrer pendant le transport. Vérifiez le serrage des vis ; une vis mal serrée peut provoquer une surchauffe des câbles.
- Vérifiez les caractéristiques de la source d'alimentation.
- Assurez-vous que la capacité électrique est suffisante.
- Vérifiez que la tension de départ est maintenue à plus de 90 % de la tension nominale indiquée sur la plaque signalétique.
- Vérifiez que l'épaisseur de câble est celle indiquée dans les caractéristiques techniques de la source d'alimentation.
- Veillez à toujours installer un disjoncteur différentiel dans les zones exposées à l'humidité ou aux moisissures.
- Une chute de tension peut avoir diverses conséquences : vibration d'un contacteur magnétique, endommagement du point de contact, défaut de fusible et perturbation du fonctionnement normal.
- Un disjoncteur et un interrupteur doit être incorporé dans le câblage fixe de la source d'alimentation électrique. Vous devez prévoir un espacement d'au moins 3 mm entre les contacts dans chaque conducteur actif (phase).
- Avant d'accéder aux bornes, vous devez débrancher tous les circuits d'alimentation.

REMARQUE CONCERNANT LES SPÉCIFICATIONS DES FUSIBLES :

(Applicables pour les unités utilisant du fluide frigorigène R32 seulement.)

1. La spécification du fusible de l'unité extérieure est T20 A/250 VAC (pour une unité < 24000 Btu/h), T30 A/250 VAC (pour une unité >24000 Btu/h)
2. Le fusible est en céramique

8. ÉVACUATION DE L'AIR

8.1 Consignes de sécurité

! ATTENTION

- Utilisez une pompe à vide avec un manomètre qui indique une pression inférieure à $-0,1$ MPa et qui présente une capacité d'évacuation d'air supérieure à 40 l/min.
- Il n'est pas nécessaire d'aspirer l'unité extérieure. **N'OUVREZ PAS** les robinets d'arrêt des conduites de gaz et de liquide de l'unité extérieure.
- Vérifiez que le compteur combiné indique une valeur inférieure ou égale à $-0,1$ MPa au bout de 2 heures. Si, au bout de trois heures, le manomètre indique toujours une pression supérieure à $-0,1$ MPa, vérifiez la présence d'eau ou d'une fuite de gaz à l'intérieur du tuyau. Si vous ne constatez aucune fuite, répétez la procédure d'évacuation pendant 1 à 2 heures.
- **N'UTILISEZ PAS** de gaz frigorigène pour évacuer le système.

8.2 Instructions d'évacuation

Veillez à vous familiariser avec l'utilisation du manomètre du collecteur et de la pompe à vide ; prenez notamment soin de lire leurs manuels d'utilisation avant emploi.

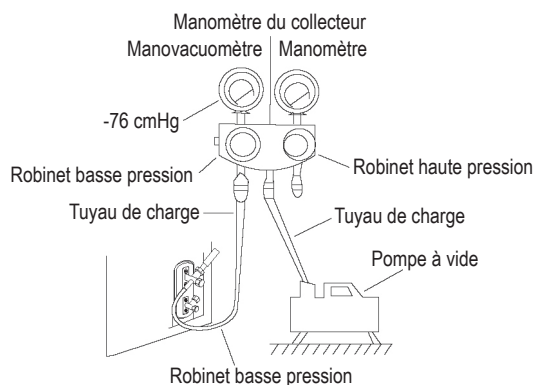


Fig. 8.1

1. Raccordez le flexible de charge du manomètre du collecteur sur l'orifice de sortie situé sur le robinet basse pression de l'unité extérieure.
2. Branchez le flexible de charge du manomètre du collecteur sur la pompe à vide.
3. Ouvrez le côté basse pression du manomètre du collecteur. Laissez le côté haute pression fermé.
4. Mettez en marche la pompe à vide pour évacuer le système.
5. Laissez-la tourner pendant au moins 15 minutes ou jusqu'à ce que le compteur combiné indique une valeur de -76 cmHG (-1×10^5 Pa).
6. Fermez le robinet basse pression du manomètre du collecteur et arrêtez la pompe à vide.
7. Patientez 5 minutes, puis vérifiez que la pression du système reste constante.

REMARQUE : si la pression du système ne change pas, dévissez le bouchon du robinet calfeutré (robinet haute pression). Une variation de la pression du système peut indiquer une fuite de gaz.

8. Insérez une clé hexagonale dans le robinet calfeutré (robinet haute pression) et ouvrez le robinet en tournant la clé d'un quart de tour dans le sens antihoraire. Écoutez si du gaz s'échappe du système, puis fermez le robinet au bout de 5 secondes.

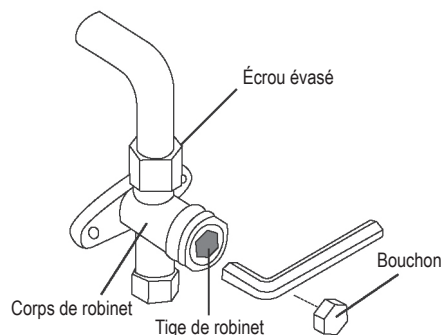


Fig. 8.2

9. Observez le manomètre du collecteur pendant une minute pour vous assurer que la pression reste stable. La valeur indiquée doit normalement être légèrement supérieure à la pression atmosphérique.
10. Retirez le tuyau de charge de l'orifice de sortie.
11. À l'aide d'une clé hexagonale, ouvrez à fond les robinets haute pression et basse pression.

8.3 OUVREZ LES TIGES DE ROBINET AVEC PRÉCAUTION

Pour ouvrir les tiges de robinet, tournez la clé hexagonale jusqu'à ce qu'elle entre en contact avec la butée. **N'ESSAYEZ PAS** de forcer sur le robinet pour l'ouvrir davantage.

12. Serrez les bouchons de robinet à la main avant de parfaire le serrage à l'aide d'un outil approprié.
13. Si l'unité extérieure utilise tous les robinets de dépression et si la position de dépression se trouve au niveau du robinet principal, le système n'est pas raccordé à l'unité intérieure. Le robinet doit être serré au moyen d'un écrou de vis. Contrôlez l'absence de fuite de gaz avant toute utilisation pour éviter tout risque de fuite.



Fig. 8.3

8. ÉVACUATION DE L'AIR

8.4 Remarque sur l'ajout de produit frigorigène

! ATTENTION

- Le produit frigorigène ne doit être introduit qu'une fois le raccordement des câbles, la dépressurisation du système et le contrôle des fuites effectués.
- NE DÉPASSEZ PAS** la quantité de produit frigorigène maximale autorisée et ne surchargez pas le système. Cela pourrait endommager l'unité ou altérer son fonctionnement.
- L'introduction de substances non adaptées peut provoquer des explosions ou des accidents. Veillez à utiliser le produit frigorigène approprié.
- Ouvrez les récipients de produit frigorigène avec précaution. Utilisez toujours des équipements de protection lors du chargement du système.
- NE MÉLANGEZ PAS** différents types de produits frigorigènes.

N=2 (modèles un-deux), N=3 (modèles un-trois), N=4 (modèles un-quatre), N=5 (modèles un-cinq). Selon la longueur du tuyau de raccordement ou le niveau de pression du système évacué, il est possible que vous ayez à ajouter davantage de produit frigorigène. Reportez-vous au tableau ci-après pour connaître les quantités de produit à ajouter :

QUANTITÉ DE PRODUIT FRIGORIGÈNE À AJOUTER SELON LA LONGUEUR DE TUYAU

Longueur du tuyau de raccordement	Technique de purge d'air	Quantité de produit frigorigène supplémentaire (R410A/R32)	
Longueur du tuyau de précharge (ft/m) (Longueur de tuyau standard xN)	Pompe à vide	N/A	
Supérieure à (longueur de tuyau standard xN) ft/m	Pompe à vide	Côté liquide : Ø6,35 (Ø1/4") (longueur de tuyau totale - longueur de tuyau standard xN)x15 g/m (longueur de tuyau totale - longueur de tuyau standard xN)x12 g/m	Côté liquide : Ø9,52 (Ø3/8") (longueur de tuyau totale - longueur de tuyau standard xN)x30 g/m (longueur de tuyau totale - longueur de tuyau standard xN)x24 g/m

Remarque : 1) Veuillez utiliser des outils pour les systèmes R410A/R32 respectivement;
2) La longueur de tuyau standard est de 7,5 m (24,6 po). Lorsque la longueur du tuyau est supérieure à 7,5 m, le fluide frigorigène supplémentaire devra être ajouté en fonction de la longueur de la tuyauterie.

8.5 Contrôle de sécurité et vérification de l'étanchéité

Contrôle de la sécurité électrique

Effectuez les contrôles de sécurité électrique ci-dessous une fois l'installation terminée. Les vérifications doivent porter sur les aspects suivants :

- Résistance chemisée**
La résistance chemisée doit être supérieure à 2 MΩ.
- Mise à la terre**
Après la mise à la terre, mesurez la résistance de terre par simple observation visuelle et au moyen d'un testeur de résistance de terre. Vérifiez que la résistance de terre est inférieure à 4 Ω.
- Contrôle des fuites électriques (à effectuer pendant le test avec l'unité sous tension)**
Lorsque vous effectuez un fonctionnement de test après l'installation, utilisez une électrosonde et un multimètre pour vérifier l'absence de fuite électrique. Mettez immédiatement l'unité hors tension en cas de fuite. Testez et évaluez différentes solutions jusqu'à ce que l'unité fonctionne correctement.

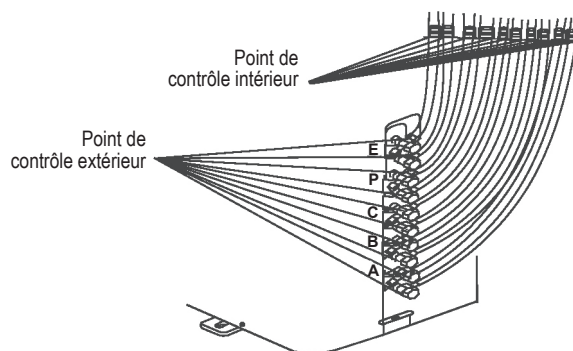
Contrôle des fuites de gaz

- Méthode de l'eau savonneuse :**
À l'aide d'un pinceau à poils souples, appliquez une solution à base d'eau et de savon ou un détergent liquide neutre sur la connexion de l'unité intérieure ou les connexions de l'unité extérieure pour vérifier

la présence de fuite au niveau des points de raccordement de la tuyauterie. La formation de bulles indique la présence d'une fuite.

- Détecteur de fuites**
Utilisez un détecteur de fuites pour contrôler la présence de fuite.

REMARQUE : ce schéma est fourni uniquement à titre d'exemple. L'ordre réel des repères A, B, C, D et E sur la machine peut être légèrement différent sur l'unité que vous avez achetée ; la forme générale demeure cependant identique.



Les points A, B, C et D correspondent au modèle un-quatre.
Les points A, B, C, D et E correspondent au modèle un-cinq.

Fig. 8.4

9. SÉQUENCE DE TEST

9.1 Avant la séquence de test

Une séquence de test doit être effectuée au terme de l'installation complète de l'ensemble du système. Vérifiez les points suivants avant d'effectuer le test :

- a) Les unités intérieure et extérieure sont correctement installées.
- b) Les tuyaux et câbles sont correctement raccordés.
- c) L'entrée et la sortie de l'unité sont libres de tout obstacle susceptible d'affecter les performances du système ou de provoquer des dysfonctionnements du produit.
- d) Le système de climatisation ne fuit pas.
- e) Le système d'évacuation n'est pas entravé et le produit est évacué en lieu sûr.
- f) Le système de chauffage est correctement isolé.
- g) Les câbles de mise à la terre sont correctement branchés.
- h) La longueur du tuyau et la capacité d'emmagasinement de produit frigorigène supplémentaire ont été consignées.
- i) La tension d'alimentation est adaptée à la tension du climatiseur.

- d. Contrôlez le bon fonctionnement des voyants de la télécommande et du panneau d'affichage de l'unité intérieure.
- e. Assurez-vous que les boutons manuels de l'unité intérieure fonctionnent correctement.
- f. Vérifiez que le système d'évacuation n'est pas obstrué et que l'évacuation s'effectue sans encombre.
- g. Vérifiez l'absence de vibration et de bruit anormal pendant le fonctionnement.

5. Pour l'unité extérieure

- a. Contrôlez l'absence de fuite sur le système de climatisation.
- b. Vérifiez l'absence de vibrations et de bruit anormaux pendant le fonctionnement.
- c. Assurez-vous que le vent, le bruit et l'eau générés par l'unité ne gênent pas le voisinage ou qu'ils ne présentent aucun risque pour la sécurité.

REMARQUE : si l'unité présente un dysfonctionnement ou ne fonctionne pas comme vous le souhaitez, consultez la section Dépannage du manuel d'utilisation avant de contacter le service client.

! ATTENTION

La non-exécution de la séquence de test peut conduire à une détérioration de l'unité, à des dégâts matériels ou à des blessures corporelles.

9.2 Instructions relatives à la séquence de test

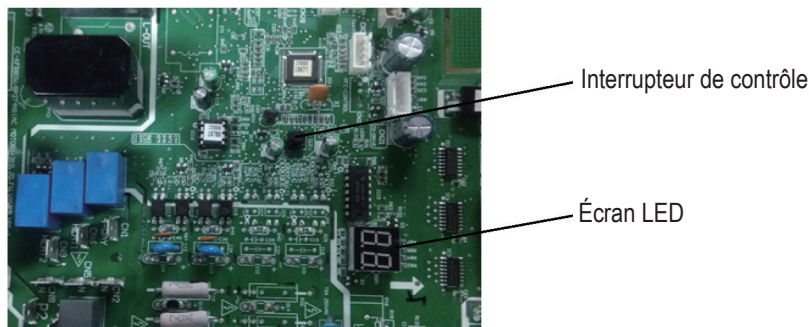
Veillez à vous familiariser avec l'utilisation du manomètre du collecteur et de la pompe à vide ; prenez notamment soin de lire leurs manuels d'utilisation avant emploi.

1. Ouvrez les robinets d'arrêt des conduites de liquide et de gaz.
2. Placez l'interruption d'alimentation principale en position de marche et laissez l'unité chauffer.
3. Réglez le climatiseur sur le mode COOL.
4. Pour l'unité intérieure
 - a. Vérifiez que la télécommande et ses boutons fonctionnent correctement.
 - b. Assurez-vous que les volets se déplacent sans entrave et qu'ils peuvent être changés à l'aide de la télécommande.
 - c. Vérifiez à nouveau que la température ambiante est correctement enregistrée.

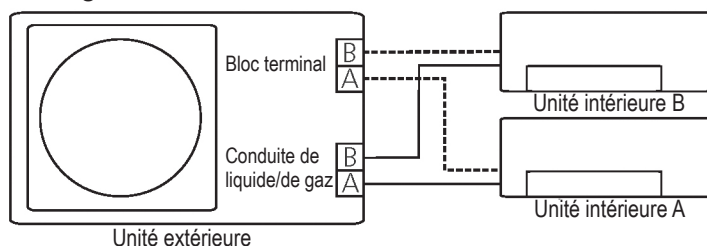
10. FONCTION DE CORRECTION AUTOMATIQUE DU CÂBLAGE ET DE LA TUYAUTERIE

10.1 Fonction de correction automatique du câblage et de la tuyauterie

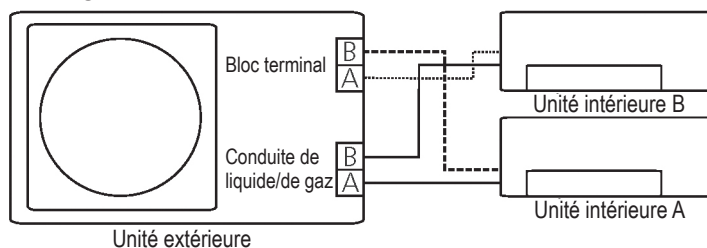
Les modèles plus récents disposent désormais d'une fonction de correction automatique des erreurs de câblage/de tuyauterie. Appuyez pendant 5 secondes sur l'interrupteur de contrôle situé sur la carte de circuit imprimé de l'unité extérieure jusqu'à ce que le voyant indique CE, ce qui signifie que cette fonction est active. L'indication disparaît au bout de 5 à 10 minutes environ après l'activation de l'interrupteur pour indiquer que l'erreur de câblage ou de tuyauterie est corrigée et que tous les câbles et tuyaux sont correctement raccordés.



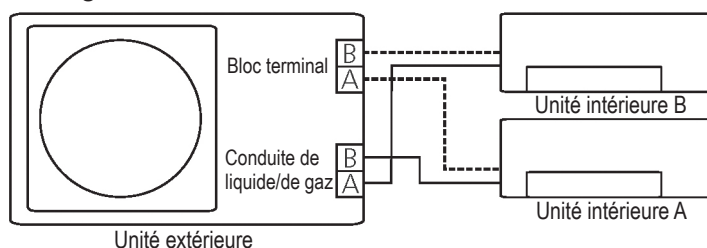
Câblage correct



Câblage incorrect



Câblage incorrect



10.2 Comment activer cette fonction

1. Vérifiez que la température extérieure est supérieure à 5 °C.
(Cette fonction ne fonctionne pas lorsque la température extérieure est inférieure à 5 °C.)
2. Assurez-vous que les robinets d'arrêt des conduites de liquide et de gaz sont ouverts.
3. Allumez le disjoncteur et patientez au moins 2 minutes.
4. Appuyez sur l'interrupteur de contrôle situé sur la carte de circuit imprimé de l'unité extérieure jusqu'à ce que le voyant indique CE.

11. INFORMATIONS RELATIVES À L'ENTRETIEN

11.1 VÉRIFICATIONS DANS LA ZONE

Avant toute intervention sur des systèmes contenant des produits frigorigènes inflammables, des contrôles de sécurité sont nécessaires afin de s'assurer que le risque d'inflammation est réduit au minimum. En cas de réparation du système de climatisation, les précautions suivantes doivent être prises avant toute intervention.

11.2 PROCÉDURE DE TRAVAIL

Les travaux doivent être entrepris dans le cadre d'une procédure contrôlée visant à réduire le risque de présence d'un gaz ou de vapeur inflammable pendant ces travaux.

11.3 ZONE DE TRAVAIL GLOBALE

L'ensemble du personnel de maintenance et plus généralement les personnes qui travaillent dans la zone doivent être au courant de la nature du travail entrepris. Tout travail dans un espace confiné doit être proscrit. La zone qui entoure l'espace de travail doit être cloisonnée. Assurez-vous de la sûreté des conditions au sein de la zone grâce au contrôle des matières inflammables.

11.4 VÉRIFICATION DE LA PRÉSENCE DE PRODUIT FRIGORIGÈNE

La zone doit faire l'objet d'une vérification à l'aide d'un détecteur approprié de produit frigorigène avant et pendant les travaux, afin de s'assurer que le technicien est informé sur les atmosphères potentiellement inflammables. Assurez-vous que l'équipement de détection de fuites utilisé est adapté aux produits frigorigènes inflammables, c.-à-d. absence d'étincelle, étanchéité suffisante ou sécurité intrinsèque.

11.5 PRÉSENCE D'UN EXTINCTEUR

Si des travaux à température élevée doivent être réalisés sur l'équipement de climatisation ou sur une partie annexe quelconque, un extincteur approprié doit se trouver à portée de main. Placez un extincteur à poudre sèche ou un extincteur à CO₂ à côté de la zone concernée.

11.6 ABSENCE DE SOURCE D'INFLAMMATION

Aucune personne effectuant des travaux en relation à un système de climatisation qui impliquent la mise à nu de tuyauteries contenant ou ayant contenu un produit frigorigène inflammable ne doit utiliser de source d'inflammation d'une manière qui risque de déclencher un incendie ou une explosion. Il convient que toutes les sources possibles d'inflammation, notamment une cigarette allumée, soient tenues suffisamment à l'écart du site d'installation, de réparation, de retrait ou d'élimination, phases durant lesquelles un produit frigorigène inflammable peut être libéré dans l'espace environnant. Avant de commencer les travaux, la zone autour de l'équipement doit être inspectée pour s'assurer de l'absence de tout produit inflammable et de tout risque d'inflammation. Des signes "DÉFENSE DE FUMER" doivent être mis en place.

11.7 ZONE VENTILÉE

Assurez-vous que la zone est à l'air libre ou suffisamment ventilée avant d'ouvrir le système ou de réaliser des travaux à température élevée. Un certain niveau de ventilation doit être maintenu pendant toute la période où les travaux sont réalisés. Il convient que la ventilation permette de dissiper le produit frigorigène libéré en toute sécurité et de préférence de le relâcher à l'extérieur dans l'atmosphère.

11.8 VÉRIFICATIONS DE L'ÉQUIPEMENT DE CLIMATISATION

Lorsque des composants électriques sont remplacés, ils doivent être adaptés au but pour lequel ils sont mis en place et respecter les spécifications correctes. Les instructions de maintenance et d'entretien du fabricant doivent être respectées à tout moment. En cas de doute, consultez le service technique du fabricant pour requérir son assistance. Les vérifications suivantes doivent s'appliquer aux installations utilisant des produits frigorigènes inflammables :

11. INFORMATIONS RELATIVES À L'ENTRETIEN

- la taille de la charge est adaptée à la taille de la pièce dans laquelle les parties contenant le produit frigorigène sont installées ;
- les appareils de ventilation et les orifices fonctionnent correctement et ne sont pas obstrués ;
- si un circuit de frigorigène indirect est utilisé, la présence de produit frigorigène doit être vérifiée dans les circuits secondaires ; le marquage de l'équipement doit être visible et lisible ;
- le marquage et les signes illisibles doivent être corrigés ;
- les tuyaux ou les composants de climatisation sont installés dans un endroit où ils ne sont pas susceptibles d'être exposés à des substances susceptibles corroder les composants contenant le produit frigorigène, sauf si ces composants sont fabriqués dans des matériaux intrinsèquement résistants à la corrosion ou sont correctement protégés contre une telle corrosion.

11.9 VÉRIFICATION DES APPAREILS ÉLECTRIQUES

Les opérations de réparation et de maintenance sur des composants électriques doivent comporter des contrôles de sécurité initiaux et des procédures d'inspection des composants. En cas de défaillance susceptible de compromettre la sécurité, aucune alimentation électrique ne doit être connectée au circuit jusqu'à réparation satisfaisante de la défaillance. Si la défaillance ne peut être corrigée immédiatement, mais, s'il est nécessaire de poursuivre l'opération en cours, une solution temporaire adéquate doit être utilisée. Cela doit être signalé au propriétaire de l'équipement afin que toutes les parties soient informées.

Les contrôles de sécurité initiaux doivent inclure :

- la décharge des condensateurs : elle doit être réalisée en toute sécurité afin d'éviter toute étincelle éventuelle ;
- l'absence de composant électrique sous tension et de câblage exposé pendant le chargement, la récupération ou la purge du système ;
- la vérification de la continuité de la mise à la terre.

11.10 RÉPARATIONS DES COMPOSANTS SCÉLLÉS

- 11.1 Pendant la réparation des composants scellés, toutes les alimentations électriques doivent être déconnectées de l'équipement sur lequel a lieu l'intervention avant tout retrait des couvercles scellés, etc. S'il est absolument nécessaire de disposer d'une alimentation électrique branchée à l'équipement pendant l'entretien, un dispositif de détection de fuite opérationnel en permanence doit être placé au point le plus critique afin d'avertir d'une telle situation potentiellement dangereuse.
- 11.2 Une attention particulière doit être portée aux points suivants afin de s'assurer que les travaux sur les composants électriques n'altèrent pas le boîtier en nuisant au niveau correct de protection. Il s'agit notamment des dommages sur les câbles, du nombre excessif de connexions, de bornes ne respectant pas les spécifications d'origine, des dommages sur les joints, de l'implantation incorrecte des presse-étoupe, etc.
 - Assurez-vous que l'appareil est fixé solidement.
 - Assurez-vous que les joints ou que les matériaux d'étanchéité ne sont pas dégradés jusqu'à ne plus remplir leur fonction visant à éviter toute pénétration d'atmosphère inflammable. Les pièces de rechange doivent respecter les spécifications du fabricant.

REMARQUE : L'utilisation de joints de silicone risque de compromettre l'efficacité de certains types d'équipements de détection de fuites. Il n'est pas nécessaire qu'avant toute intervention sur des composants à sécurité intrinsèque, ceux-ci soient isolés.

11.11 RÉPARATION DES COMPOSANTS À SÉCURITÉ INTRINSÈQUE

N'appliquez aucune charge permanente inductive ou capacitive au circuit sans vous être assuré qu'elle n'excèdera pas la tension et le courant admissibles pour l'équipement utilisé. Les composants à sécurité intrinsèque sont les seuls sur lesquels une intervention est autorisée alors qu'ils sont sous tension, en présence d'une atmosphère inflammable. Les caractéristiques assignées de l'appareil de test doivent être respectées. Ne remplacez les composants que par des pièces spécifiées par le fabricant. Les autres pièces peuvent provoquer l'inflammation du produit frigorigène dans l'atmosphère en cas de fuite.

11. INFORMATIONS RELATIVES À L'ENTRETIEN

11.12 CÂBLAGE

Vérifiez que le câblage n'est pas soumis à l'usure, à la corrosion, à une pression excessive ou à des vibrations, qu'il n'est pas en contact avec des arêtes vives ou qu'il n'est pas soumis à tout autre effet environnemental nuisible. La vérification doit également tenir compte des effets du vieillissement ou des vibrations continues provenant de sources telles que des compresseurs ou des ventilateurs.

11.13 DÉTECTION DES PRODUITS FRIGORIGÈNES INFLAMMABLES

Des sources potentielles d'inflammation ne doivent en aucun cas être utilisées pour rechercher ou détecter des fuites de produits frigorigènes. Une lampe haloïde (ou tout autre détecteur utilisant une flamme nue) ne doit pas être utilisée.

11.14 MÉTHODES DE DÉTECTION DES FUITES

Les méthodes suivantes de détection des fuites sont considérées comme acceptables pour les systèmes contenant des produits frigorigènes inflammables.

Des détecteurs électroniques de fuites doivent être utilisés pour détecter les produits frigorigènes inflammables, mais leur sensibilité peut ne pas être adéquate ou peut nécessiter un nouvel étalonnage.

(L'équipement de détection doit être étalonné dans une zone exempte de produits frigorigènes.) Assurez-vous que le détecteur ne constitue pas une source potentielle d'inflammation et qu'il est adapté au produit frigorigène. L'équipement de détection de fuites doit être réglé à la limite inférieure d'inflammabilité du produit frigorigène et doit être étalonné sur le produit frigorigène employé, avec confirmation du pourcentage approprié de gaz (25% au maximum). Les fluides de détection de fuites peuvent être utilisés avec la plupart des produits frigorigènes, mais l'utilisation de détergents chlorés doit être évitée, car le chlore peut réagir avec le produit frigorigène et corroder le tuyau de cuivre. En cas de suspicion de fuite, toute flamme nue doit être retirée ou éteinte. Si une fuite de produit frigorigène est détectée et nécessite un brasage, tout le produit frigorigène doit être récupéré dans le système ou doit être isolé (par des robinets d'arrêt) dans une partie du système éloignée de la fuite. Le système doit ensuite être rincé à l'azote libre d'oxygène (ALO) avant et pendant le processus de brasage.

11.15 RETRAIT ET ÉVACUATION

Lorsque vous ouvrez un circuit de frigorigène pour effectuer des réparations ou pour tout autre motif, des procédures conventionnelles doivent être respectées. Toutefois, il est important de respecter les meilleures pratiques, dans la mesure où l'inflammabilité doit être prise en considération. La procédure suivante doit être respectée :

- retrait du produit frigorigène ;
- purge du circuit par un gaz inerte ;
- évacuation ;
- nouvelle purge par un gaz inerte ;
- ouverture du circuit par coupage ou brasage.

La charge de frigorigène doit être récupérée dans les cylindres de récupération corrects. Le système doit être rincé à l'azote libre d'oxygène pour garantir la sécurité de l'unité. Il peut être nécessaire de répéter ce processus.

De l'air comprimé et de l'oxygène ne doivent pas être utilisés pour cette tâche.

Le rinçage doit être réalisé en rompant le vide dans le système avec de l'azote libre d'oxygène et en continuant le remplissage jusqu'à ce que la pression de fonctionnement soit atteinte, puis en le libérant jusqu'à la pression atmosphérique, et enfin en refaisant le vide. Ce processus doit être répété jusqu'à disparition complète du produit frigorigène dans le système.

Lorsque la charge d'azote libre d'oxygène finale est utilisée, le système doit être ventilé jusqu'à la pression atmosphérique afin de pouvoir entreprendre les travaux. Cette opération est absolument vitale si des opérations de brasage doivent intervenir sur la tuyauterie. Assurez-vous que l'orifice de la pompe à vide ne se trouve pas à proximité d'une source d'inflammation et qu'une ventilation est disponible.

11. INFORMATIONS RELATIVES À L'ENTRETIEN

11.16 PROCÉDURES DE CHARGEMENT

Outre les procédures conventionnelles de chargement, les exigences suivantes doivent être respectées :

- Assurez-vous que les différents produits frigorigènes ne sont exposés à aucune contamination lorsque vous utilisez un équipement de chargement. Les flexibles ou les conduites doivent être les plus courts possible, afin de réduire la quantité de produit frigorigène qu'ils contiennent.
- Les cylindres doivent être maintenus en position verticale.
- Assurez-vous que le système de climatisation est mis à la terre avant de le charger avec du produit frigorigène.
- Étiquetez le système lorsque le chargement est terminé (si ce n'est pas déjà fait).
- Des précautions extrêmes doivent être prises pour ne pas remplir le système de climatisation de façon excessive.
- Avant de recharger le système, sa pression doit être testée à l'azote libre d'oxygène. Le système doit être soumis à un test de fuites, après la fin du chargement, mais avant sa mise en service.

Un test de suivi des fuites

11.17 DÉMANTÈLEMENT

Avant d'entreprendre cette procédure, il est essentiel que le technicien ait une connaissance parfaite de l'équipement et de tous ses détails. Les bonnes pratiques recommandent que les produits frigorigènes soient récupérés en totalité et de façon sécurisée. Avant d'effectuer cette tâche, un échantillon d'huile et de produit frigorigène doit être prélevé.

Dans le cas où une analyse est requise avant la réutilisation du produit frigorigène récupéré. Il est essentiel qu'une alimentation électrique soit disponible avant d'entreprendre cette tâche.

- a) Ayez une bonne connaissance de l'équipement et de son bon fonctionnement.
- b) Isolez le système électriquement
- c) Avant de démarrer la procédure, assurez-vous que :
 - un équipement de manutention mécanique est disponible, le cas échéant, pour manipuler les cylindres de produits frigorigènes ;
 - tous les équipements de protection individuelle sont disponibles et sont utilisés correctement ;
 - le processus de récupération est supervisé à tout moment par une personne compétente ;
 - l'équipement de récupération et les cylindres sont conformes aux normes appropriées.
- d) Pompez le système de climatisation pour faire le vide, si possible.
- e) Si le vide n'est pas possible, réalisez un collecteur de sorte que le produit frigorigène puisse être retiré des différentes parties du système.
- f) Assurez-vous que le cylindre est situé sur les échelles avant le commencement de la récupération.
- g) Démarrez la machine de récupération et utilisez-la en respectant les instructions du fabricant.
- h) Ne remplissez pas les cylindres de façon excessive. (Pas plus de 80% de charge liquide en volume.)
- i) Ne dépassez pas la pression de fonctionnement maximale du cylindre, même de façon temporaire.
- j) Une fois les cylindres correctement remplis et le processus terminé, assurez-vous que les cylindres et que l'équipement sont rapidement retirés du site et que tous les robinets d'isolement de l'équipement sont fermés.
- k) Le produit frigorigène récupéré ne doit pas être chargé dans un autre système de climatisation sans avoir été nettoyé et contrôlé.

11.18 ÉTIQUETAGE

L'équipement doit être étiqueté pour indiquer qu'il a été démantelé et vidé de tout produit frigorigène. Cette étiquette doit être datée et signée. Assurez-vous que des étiquettes sont placées sur l'équipement pour indiquer qu'il contient un produit frigorigène inflammable.

11. INFORMATIONS RELATIVES À L'ENTRETIEN

11.19 RÉCUPÉRATION

- Lorsque vous retirez le produit frigorigène d'un système, que ce soit pour des opérations d'entretien ou pour son démantèlement, la bonne pratique recommandée est que les produits frigorigènes soient récupérés en totalité et de façon sécurisée.
- Lorsque vous transférez des produits frigorigènes dans des cylindres, assurez-vous de n'employer que des cylindres de récupération de produits frigorigènes appropriés. Assurez-vous de disposer d'un nombre correct de cylindres, capables de contenir l'ensemble de la charge du système. Tous les cylindres devant être utilisés sont conçus pour le produit frigorigène récupéré et sont étiquetés pour indiquer ce dernier (c.-à-d. cylindres spéciaux pour la récupération du produit frigorigène). Les cylindres doivent être dotés d'une soupape de sûreté et des robinets d'arrêt associés doivent être en bon état de marche.
- Les cylindres de récupération vides sont évacués et, si possible, refroidis avant la récupération.
- L'équipement de récupération doit être en bon état de marche. Il doit être accompagné d'un ensemble d'instructions concernant l'équipement et être adapté à la récupération de produits frigorigènes inflammables. Une balance étalonnée doit en outre être disponible et en bon état de marche.
- Les flexibles doivent être dotés de raccords à désaccouplement exempts de fuites et en bon état. Avant d'utiliser la machine de récupération, vérifiez qu'elle est en bon état de marche, qu'elle a été entretenue correctement et que les éventuels composants électriques associés sont scellés afin d'éviter toute inflammation en cas de libération du produit frigorigène. Consultez le fabricant en cas de doute.
- Le produit frigorigène récupéré doit être retourné à son fournisseur dans le cylindre de récupération approprié, accompagné du bordereau de transfert des déchets correspondant. Ne mélangez pas les produits frigorigènes dans des unités de récupération, en particulier pas dans des cylindres.
- Si des compresseurs ou des huiles pour compresseur doivent être retirés, assurez-vous que leur évacuation s'est effectuée à un niveau acceptable pour être certain que le lubrifiant le contient aucune trace de produit frigorigène inflammable. Le processus d'évacuation doit s'effectuer avant de retourner le compresseur au fournisseur. Seul un chauffage électrique sur le corps du compresseur doit être utilisé pour accélérer ce processus. Lorsque de l'huile est vidangée d'un système, cette opération doit s'effectuer avec des précautions.

11.20 TRANSPORT, MARQUAGE ET STOCKAGE DES UNITÉS

1. Transport d'un équipement contenant des produits frigorigènes inflammables
Conformité aux réglementations relatives au transport
2. Marquage de l'équipement à l'aide de signes
Conformité aux réglementations locales
3. Élimination d'un équipement utilisant des produits frigorigènes inflammables
Conformité aux réglementations nationales
4. Stockage des équipements/appareils
Il convient que le stockage des équipements respecte les instructions du fabricant.
5. Stockage d'un équipement emballé (non vendu)
Il convient que l'emballage de protection en vue du stockage soit conçu de sorte que tout dommage mécanique subi par l'équipement à l'intérieur de cet emballage ne provoque pas de fuite de la charge de frigorigène.
Le nombre maximal d'éléments d'équipement pouvant être stockés ensemble sera déterminé par les réglementations locales.

È stato stabilito che questo prodotto è conforme alla Direttiva sulla bassa tensione (2014/35/CE) e alla Direttiva sulla compatibilità elettromagnetica (2014/30/CE) dell'Unione Europea.



Smaltimento corretto del prodotto (Attrezzatura di scarto elettrica ed elettronica)

(Quando si utilizza il climatizzatore nei Paesi europei, è necessario rispettare la seguente guida)

- Questo marchio riportato sul prodotto o sulla sua documentazione indica che i rifiuti di apparecchiature elettriche ed elettroniche (RAEE come nella direttiva 2012/19/CE) non devono essere mescolati con i rifiuti domestici generici. È vietato smaltire questa attrezzatura tra i rifiuti domestici.

Per lo smaltimento, ci sono diverse possibilità:

1. L'amministrazione comunale ha stabilito sistemi di raccolta dove i rifiuti elettronici possono essere eliminati senza alcun costo a carico dell'utente.
 2. Quando viene acquistato un nuovo prodotto, il rivenditore riprenderà il vecchio prodotto senza costi aggiuntivi.
 3. Il produttore riprenderà la vecchia attrezzatura da smaltire senza alcun costo a carico dell'utente.
 4. Poiché i vecchi prodotti contengono risorse preziose, possono essere venduti a rivenditori di metallo di scarto.
- Lo smaltimento illegale dei rifiuti nei boschi e nei luoghi naturali mette a rischio la salute quando le sostanze pericolose finiscono nelle falde acquifere e, di conseguenza, nella catena alimentare.

Questo prodotto contiene gas fluorurati coperti dal protocollo di Kyoto

Nome chimico del gas	R410A / R32
Potenziale di riscaldamento globale (GWP) del gas	2088/675

! AVVERTENZA

1. Incollare l'etichetta del refrigerante allegata accanto al punto di ricarica e/o ripristino.
2. Scrivere in modo chiaro la quantità di refrigerante caricata sull'apposita etichetta usando inchiostro indelebile.
3. Prevenire l'emissione del gas fluorurato contenuto all'interno dell'unità. Assicurarsi che il gas fluorurato non venga mai scaricato nell'atmosfera durante le operazioni di installazione, manutenzione o smaltimento. Nel caso in cui venga rilevata una perdita del gas fluorurato contenuto all'interno dell'unità, la perdita deve essere fermata e riparata il prima possibile.
4. L'accesso e la manutenzione del prodotto sono consentiti esclusivamente al personale di servizio qualificato.
5. Qualsiasi manipolazione del gas fluorurato contenuto in questo prodotto, ad esempio quando si sposta il prodotto o si effettua una ricarica del gas, deve essere conforme al regolamento (CE) n. 517/2014 su alcuni gas fluorurati a effetto serra e a qualsiasi legislazione locale pertinente.
6. In caso di domande, contattare rivenditori, installatori, ecc.



Attenzione: **Rischio di incendio solo per i refrigeranti R32/R290**

Il fabbricante si riserva il diritto di modificare le specifiche del prodotto senza preavviso.

INDICE

1. PREPARAZIONE ALL'INSTALLAZIONE	3
2. PANORAMICA DI INSTALLAZIONE	7
3. SCHEMA DI INSTALLAZIONE	8
4. SPECIFICHE TECNICHE.....	9
5. INSTALLAZIONE DELL'UNITÀ ESTERNA	10
5.1 Istruzioni di installazione dell'unità esterna	10
5.2 Installazione del raccordo di scarico	12
5.3 Note relative ai fori nella parete	12
5.4 Per l'unità interna da 24K	12
6. COLLEGAMENTO DEL TUBO DEL REFRIGERANTE	13
7. CABLAGGIO	15
7.1 Precauzioni di sicurezza	15
7.2 Cablaggio dell'unità esterna	15
7.3 Figura illustrativa dei collegamenti.....	17
8. EVACUAZIONE DELL'ARIA.....	20
8.2 Istruzioni per l'evacuazione	20
8.4 Note relative all'aggiunta di refrigerante	21
9. AZIONAMENTO DI PROVA.....	22
10. FUNZIONE DI CORREZIONE AUTOMATICA CABLAGGIO/TUBAZIONI	23
11. INFORMAZIONI SULLA MANUTENZIONE.....	24

Tipologia	Nome del modello	Dimensioni (ODU)	Tensione nominale e Hz
Unità esterna	38QUS014DS2*/38QUS014D8S2*	800x333x554	220-240V~ 50Hz
	38QUS018DS2*/38QUS018D8S2*		
	38QUS021DS3*/38QUS021D8S3*	845x363x702	
	38QUS027DS3*/38QUS027D8S3*		
	38QUS028DS4*/38QUS028D8S4*	946x410x810	
	38QUS036DS4*/38QUS036D8S4*		
38QUS042DS5*/38QUS042D8S5*			
Unità interna a parete	38QUS014D8S2-1/38QUS018D8S2-2	805x330x554	
	38QUS021D8S3-1/38QUS027D8S3-2	890x342x673	
	42QHC007D8S*/42QHC009D8S*	730x192x291	
	42QHC012D8S*	812x192x300	
	42QHC018D8S*	973x218x319	
	42QHC024D8S*	1082x225x338	
	42QHB09E8S*	722x187x290	
	42QHB12E8S*	802x189x297	
	42QHB18D8S*	965x215x319	
	42QHB24D8S*	1080x226x335	
	42QHG007D8S*/42QHG009D8S*	726x210x291	
	42QHG012D8S*	835x208x295	
	42QHG018D8S*	969x241x320	
	42QHG024D8S*	1083x244x336	
	42QHE07D8SH*/42QHE09D8SH*/42QHE12D8SH*	795x225x295	
	42QHE18D8SH*	965x239x319	
	42QHE24D8SH*	1140x370x275	
	Tipo di condotto Unità interna	42QSS007D8S*/42QSS009D8S*/42QSS012D8S*	700x450x200
42QSS018D8S*		880x674x210	
Tipo di cassetta Unità interna	42QSS024D8S*/42QSS024DS*(R410A Only)	1100x774x249	
	42QTD007D8S*/42QTD009D8S*/42QTD012D8S*/42QTD018D8S*	570x570x260	
Tipo di console Unità interna	42QTD024D8S*/42QTD024DS*(R410A Only)	830x830x205/840x840x245	
	42QZA012D8S*/42QZA018D8S*	700x600x210	
Tipo di console Unità interna	42QZL018D8S*	1068x675x235	
	42QZL024D8S*/42QZL024DS*(R410A Only)	1068x675x235	

1. PREPARAZIONE ALL'INSTALLAZIONE

1.1 Precauzioni di sicurezza

- L'installazione, l'avviamento e la manutenzione dell'impianto di aria condizionata possono essere pericolosi a causa delle pressioni al sistema, dei componenti elettrici e dell'ubicazione dell'attrezzatura (tetti, strutture elevate, ecc.).
- Questa attrezzatura può essere installata, avviata e sottoposta a manutenzione solo da installatori e addetti alla manutenzione qualificati.
- Quando si opera sull'attrezzatura, osservare le precauzioni indicate nella documentazione e sulle etichette, sugli adesivi e sulle targhette applicati sull'attrezzatura.
- Rispettare tutte le precauzioni di sicurezza. Indossare occhiali di sicurezza e guanti da lavoro. Tenere vicino a sé un panno ignifugo e un estintore quando si effettua la saldatura con brasatura. Maneggiare, allestire e posizionare l'attrezzatura ingombrante con cautela.
- Leggere attentamente queste istruzioni e seguire tutte le avvertenze o le precauzioni comprese nella documentazione e applicate sull'unità. Consultare i codici di costruzione locali e il codice elettrico nazionale per i requisiti speciali.



AVVERTENZA

Questo simbolo indica la possibilità di lesioni personali o di morte.

- **Il gas refrigerante è più pesante dell'aria e sostituisce l'ossigeno. Una perdita considerevole potrebbe portare all'esaurimento dell'ossigeno, in particolare nelle cantine, e potrebbe verificarsi un rischio di asfissia con possibili lesioni gravi o conseguenze mortali.**
- **Quando il climatizzatore viene installato in una stanza piccola, adottare le misure necessarie per assicurarsi che l'entità delle perdite di refrigerante nella stanza non superi il limite massimo.**
- **Se si verificano perdite di gas refrigerante durante l'installazione, ventilare immediatamente l'area.**
Il gas refrigerante può produrre un gas tossico se entra in contatto con il fuoco proveniente, ad esempio, da un termoventilatore, da una stufa o da una cucina.
L'esposizione a questo gas potrebbe causare gravi lesioni o la morte.
- **Scollegare l'alimentazione prima di tentare di effettuare qualsiasi intervento elettrico. Collegare correttamente il cavo.**
Un collegamento errato potrebbe provocare danni ai componenti elettrici.
- **Utilizzare i cavi specifici per i collegamenti elettrici e fissare saldamente i fili alle sezioni di collegamento dei terminali, in modo che non venga esercitata alcuna forza esterna sul terminale.**
- **Assicurarsi di predisporre una messa a terra.**
Non collegare a terra le unità con i tubi del gas, i tubi dell'acqua, i parafulmini o i fili del telefono. Una messa a terra incompleta potrebbe provocare un alto rischio di scosse elettriche e gravi lesioni o addirittura la morte.
- **Smaltire in sicurezza i materiali di imballaggio.**
I materiali di imballaggio, quali chiodi e altri componenti in metallo o legno, possono provocare tagli o altre ferite. Strappare e gettare le borse di imballaggio in plastica affinché i bambini non giochino con esse. I bambini che giocano con le borse di plastica rischiano il soffocamento.
- **Non installare l'unità nelle vicinanze di aree di concentrazione di gas combustibile o vapori di gas.**
- **Assicurarsi di usare i componenti di installazione forniti o gli esatti componenti di installazione specificati.**
L'uso di altri componenti potrebbe causare l'allentamento dell'unità, perdite di acqua, scosse elettriche, incendi o danni all'attrezzatura.
- **Quando si installa o si riposiziona l'impianto non permettere all'aria o ad altre sostanze diverse dal refrigerante specificato (R410A/R32) di entrare nel ciclo di refrigerazione.**
- **La manutenzione dell'unità interna a condotto e a cassetta deve essere effettuata dal personale qualificato e deve essere posizionata ad un'altezza di almeno 2,5m dal pavimento.**
- **Gli interventi sull'impianto elettrico devono essere effettuati secondo il manuale di installazione e i codici del cablaggio nazionali, statali e locali.**
- **Utilizzare un circuito elettrico specifico. Non condividere mai la stessa presa elettrica con altre attrezzature.**

1. PREPARAZIONE ALL'INSTALLAZIONE

AVVERTENZA

- Per evitare eventuali pericoli dovuti al ripristino involontario dell'interruttore termico, questo apparecchio non deve essere alimentato tramite un dispositivo di commutazione esterno, ad esempio un timer, né collegato a un circuito che venga regolarmente acceso e spento dall'utenza.
- Utilizzare i cavi prescritti per la connessione elettrica con isolamento protetto da guaine isolanti con una temperatura nominale adeguata.
Cavi non conformabili possono causare perdite elettriche, calore anomalo o incendi.
NOTA: le clausole che seguono sono richieste per le unità che adottano i refrigeranti R32/R290.
- L'apparecchio deve essere conservato in una stanza priva di fonti d'ignizione che siano continuamente in funzione (ad esempio: fiamme libere e apparecchi con funzionamento a gas o riscaldatori elettrici).
- Non perforare né bruciare.
- Tenere presente che i refrigeranti potrebbero risultare inodori.
- Rispettare le disposizioni nazionali sui gas vigenti.
- L'apparecchio deve essere conservato in un'area ben ventilata le cui dimensioni corrispondano all'area della stanza specificata per il funzionamento.
- L'apparecchio deve essere installato, utilizzato e conservato in una stanza con una superficie maggiore di $X \text{ m}^2$, mentre l'area delle tubazioni deve ricoprire un minimo di $X \text{ m}^2$ (vedere il seguente modulo).
- L'apparecchio non deve essere installato in un'area non ventilata che sia più piccola di $X \text{ m}^2$ (vedere il seguente modulo). Aree in cui i tubi per il refrigerante devono essere conformi alle normative nazionali in materia di gas.

Modello (Btu/h)	Quantità di refrigerante da caricare (kg)	Max. altezza d'installazione (m)	Min. area della stanza (m^2)
≤ 30.000	≤ 2,048	1,8 m	4
		0,6 m	35
30.000-48.000	2,048-3,0	1,8 m	8
		0,6 m	80
> 48.000	> 3,0	1,8 m	9
		0,6 m	80

Nota sui gas fluorurati

- Questa unità di climatizzazione dell'aria contiene gas fluorurati. Per informazioni specifiche su tipologia e quantitativo dei suddetti gas, fare riferimento alla relativa etichetta sull'unità.
- Le operazioni di installazione, assistenza, manutenzione e riparazione su questa unità devono essere eseguite da un tecnico certificato.
- Le operazioni di disinstallazione e riciclaggio del prodotto devono essere eseguite da un tecnico certificato.
- Qualora l'unità disponga di un sistema di rilevamento di fuoriuscite, è necessario che venga controllato almeno ogni 12 mesi per confutare la presenza di perdite.
- Quando si procede con il controllo dell'unità per verificare la presenza di eventuali perdite, si consiglia vivamente di registrare i dati relativi a tutti i controlli effettuati.

1. PREPARAZIONE ALL'INSTALLAZIONE

ATTENZIONE

Questo simbolo indica la possibilità di danni alle cose o di gravi conseguenze.

- Per evitare lesioni personali, prestare attenzione quando si maneggiano componenti con bordi affilati.
- Non installare le unità interne o esterne in punti con condizioni ambientali particolari.
- Non installare in un luogo che possa amplificare il livello di rumorosità dell'unità o in cui il rumore e l'aria emessi possano disturbare i vicini.

AVVERTENZA

- Non modificare mai questa unità rimuovendo una delle protezioni di sicurezza o bypassando uno degli interruttori di interblocco di sicurezza.
- Per evitare il rischio dovuto alla reimpostazione involontaria dell'interruttore termico, questa attrezzatura non deve essere alimentata attraverso un dispositivo di commutazione esterno, come un timer, oppure collegata a un circuito che viene regolarmente acceso e spento mediante il dispositivo.
- Utilizzare i cavi prescritti per il collegamento elettrico con un isolamento protetto da una guaina di isolamento dotata dei valori di temperatura appropriati.

L'utilizzo di cavi non conformi potrebbe provocare dispersioni di corrente, generazioni anomale di calore o incendi.

ATTENZIONE



Questo simbolo indica la possibilità di danni alle cose o di gravi conseguenze.

- Effettuare correttamente gli interventi di drenaggio/collegamento dei tubi seguendo le istruzioni del manuale di installazione.
- Un drenaggio o un collegamento dei tubi non corretto potrebbe provocare perdite di acqua e danni agli oggetti.
- **Non installare il climatizzatore nei seguenti ambienti.**
 - Ambienti in cui sono presenti oli minerali o acido arsenico.
 - Ambienti in cui possono accumularsi i gas corrosivi (quali i gas dell'acido solforico) o combustibili (quali i diluenti), oppure in cui vengono conservate sostanze volatili combustibili.
 - Ambienti in cui sono presenti attrezzature che potrebbero generare campi elettromagnetici o emissioni sonore ad alta frequenza.

1. PREPARAZIONE ALL'INSTALLAZIONE

1.2 Accessori

Il climatizzatore viene fornito con i componenti elencati di seguito. Utilizzare tutti i componenti necessari all'installazione del climatizzatore. Un'installazione errata potrebbe provocare perdite di acqua, scosse elettriche, incendi o danni all'unità.

Nome		Forma	Quantità
Piastra di installazione			1
Guaina in plastica espansa			5-8 (in base ai modelli)
Vite autofilettante A ST3.9X25			5-8 (in base ai modelli)
Raccordo di scarico (alcuni modelli)			1
Guarnizione (alcuni modelli)			1
Gruppo tubazione di collegamento	Lato liquido	Ø6,35	Componenti da acquistare. Per le dimensioni corrette, consultare un tecnico.
		Ø9,52	
	Lato gas	Ø9,52	
		Ø12,7	
		Ø15,9	
Manuale utente			1
Manuale di installazione			1
Connettore di trasferimento (in dotazione all'unità interna o esterna, in base ai modelli) NOTA: Le dimensioni della tubazione potrebbero variare da apparecchio a apparecchio. Per rispettare i differenti requisiti delle dimensioni della tubazione, talvolta i collegamenti necessitano di un connettore di trasferimento installato sull'unità esterna.			Componente opzionale (un pezzo/un'unità interna)
			Componente opzionale (1-5 pezzi per l'unità esterna, in base ai modelli)
Anello magnetico (Gancio sul cavo di collegamento tra l'unità interna e l'unità esterna dopo l'installazione).			Componente opzionale (un pezzo/un cavo)
Anello di gomma di protezione cavo (Se la fascetta non riesce ad essere fissata su un cavo piccolo, utilizzare l'anello di gomma di protezione [fornito con gli accessori] avvolgendolo attorno al cavo. Quindi, fissare in posizione con la fascetta).			1 (su alcuni modelli)

Accessori opzionali

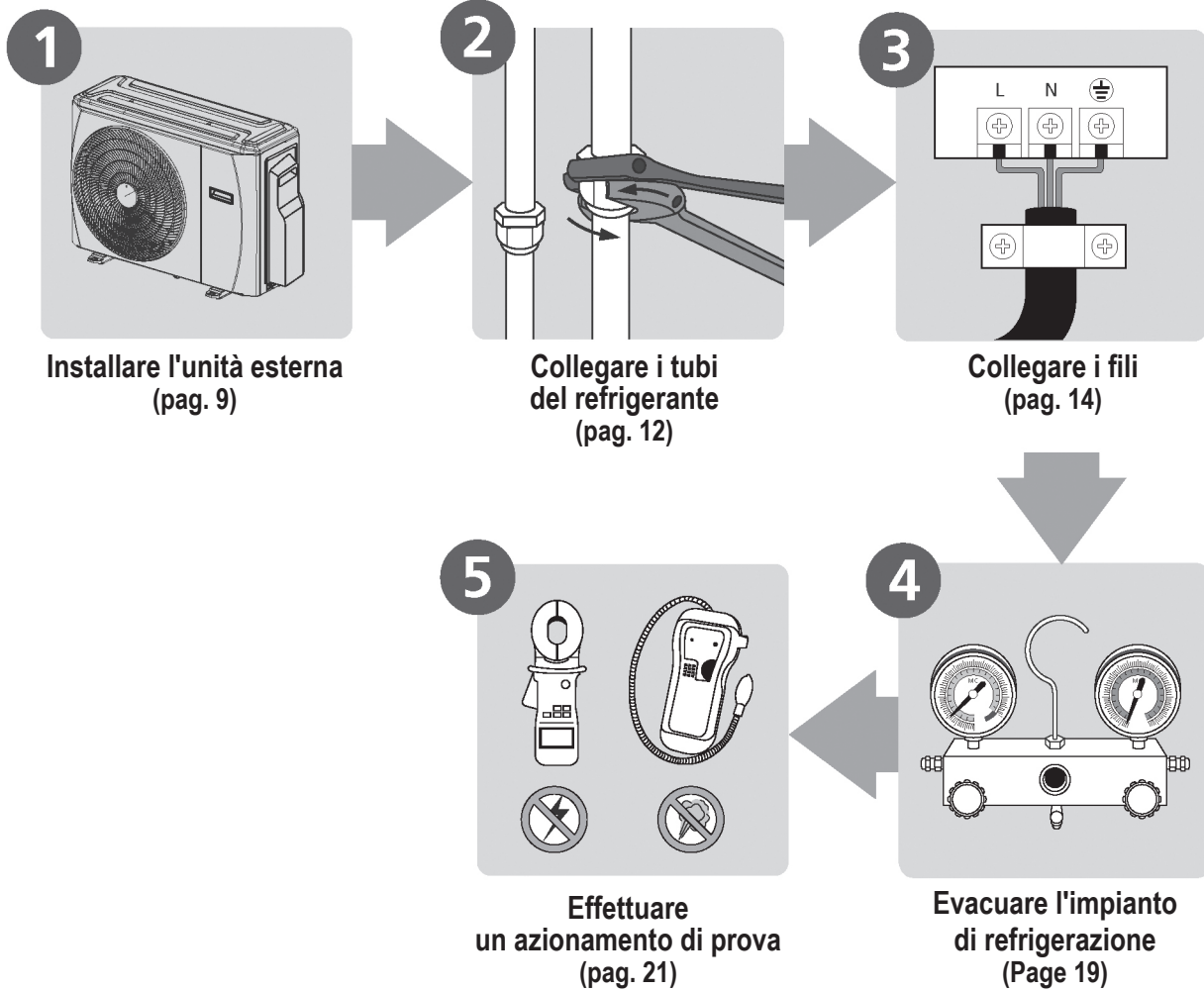
Sono disponibili due tipi di telecomando: con fili e senza fili.

Selezionare il telecomando in base alle esigenze e alle preferenze del cliente e installarlo nella posizione corretta.

Fare riferimento ai cataloghi e alla documentazione tecnica per la scelta del termostato adatto.

2. PANORAMICA DI INSTALLAZIONE

2.1 Ordine di installazione



3. SCHEMA DI INSTALLAZIONE

3.1 Schema di installazione

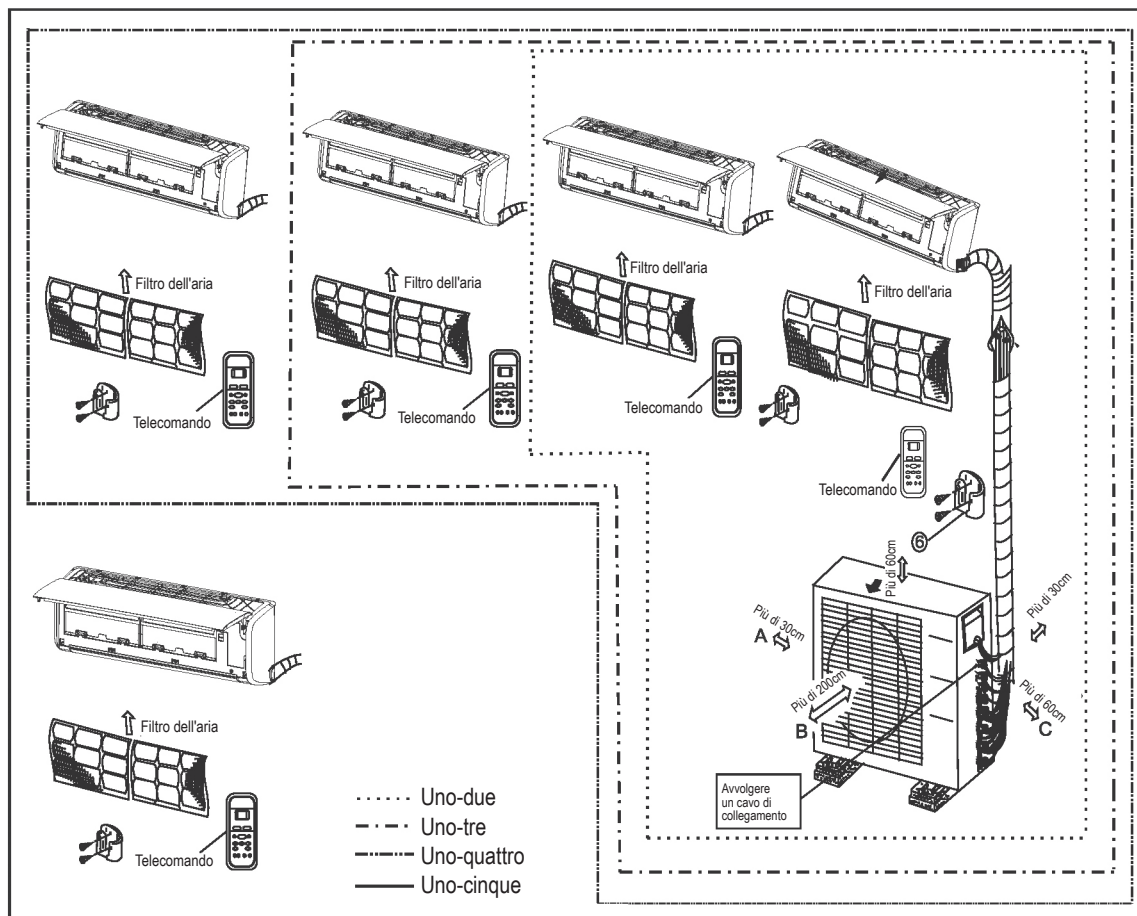


Fig. 3.1

Precauzioni di sicurezza

⚠ ATTENZIONE

- L'illustrazione è puramente dimostrativa. La forma effettiva del condizionatore potrebbe essere leggermente diversa.
- Le tubazioni di rame devono essere isolate separatamente.

⚠ ATTENZIONE

- Per evitare danni alle pareti, utilizzare un cercamontanti per individuare i montanti.
- La disposizione dei tubi deve essere di almeno 3 metri per ridurre al minimo le vibrazioni e il rumore.
- Due dei tre passaggi A, B, e C di circolazione dell'aria devono sempre essere liberi da eventuali ostruzioni.

4. SPECIFICHE TECNICHE

Tabella 4.1

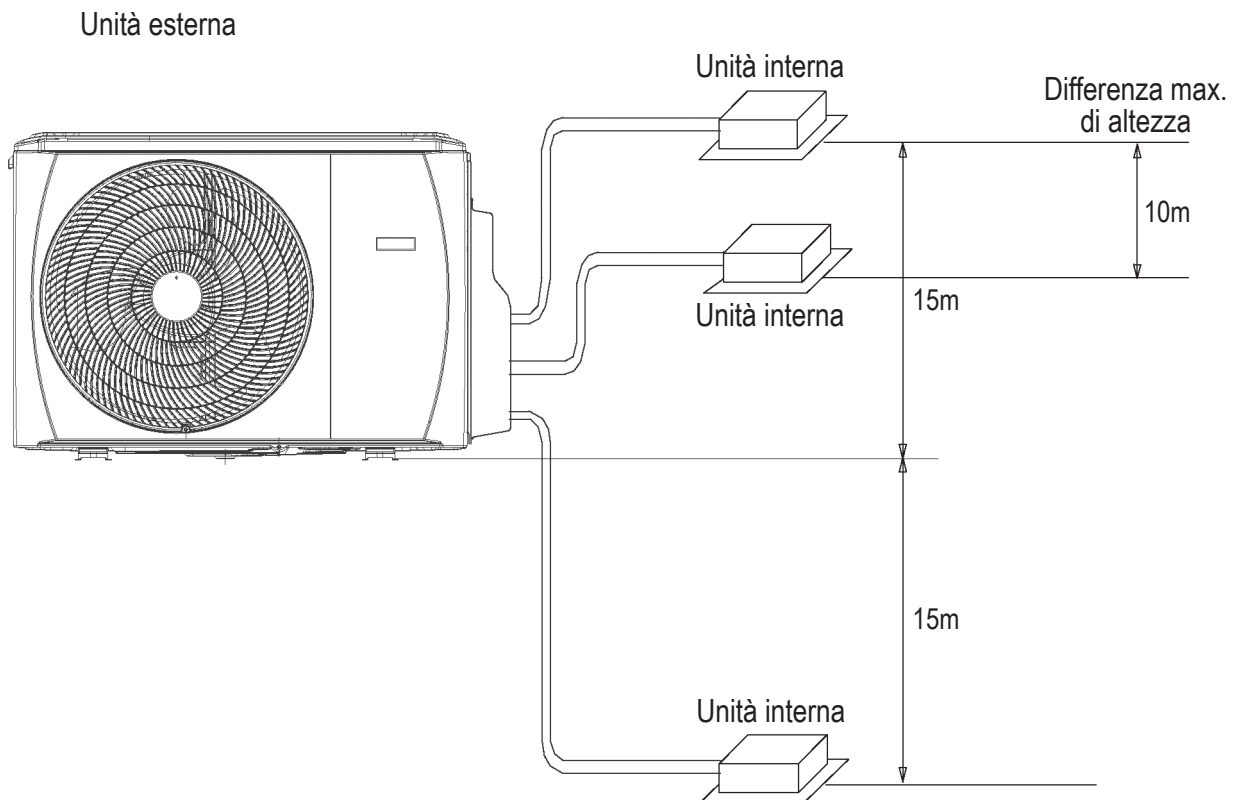
Numero di unità che possono essere utilizzate contemporaneamente	Unità collegate	1-5 unità
Frequenza di spegnimento/accensione compressore	Tempo di spegnimento	3 minuti o più
Tensione di alimentazione	fluttuazione di tensione	entro $\pm 10\%$ della tensione nominale
	calo di tensione all'accensione	entro $\pm 15\%$ della tensione nominale
	squilibrio intervallo	entro $\pm 3\%$ della tensione nominale

Tabella 4.2

Unità di misura: m

	1 drive 2		1 drive 3		1 drive 4		1 drive 5
	14k	18k	21k	27k	28k	36k	42k
Modello (Btu/h)							
Lunghezza max. per tutte le stanze	40	40	60	60	80	80	80
Lunghezza massima per un'unità interna	25	25	25	30	30	35	35
Differenza max. di altezza tra unità interna ed esterna	UE più alta di UI		15	15	15	15	15
	UE più bassa di UI		15	15	15	15	15
Differenza max. di altezza tra unità interne	10	10	10	10	10	10	10

Quando si installano più unità interne con una sola unità esterna, verificare che la lunghezza del tubo del refrigerante e la differenza di altezza tra l'unità interna e l'unità esterna siano conformi ai requisiti indicati nella seguente figura:



5. INSTALLAZIONE DELL'UNITÀ ESTERNA

5.1 Istruzioni di installazione dell'unità esterna

Punto 1: Scelta della posizione di installazione.

L'unità esterna deve essere installata rispettando i seguenti requisiti:

- Posizionare l'unità esterna il più vicino possibile all'unità interna.
- Assicurarsi di predisporre uno spazio sufficiente per l'installazione e la manutenzione.
- L'ingresso e l'uscita dell'aria non devono essere ostruite né esposte a raffiche di vento.
- Assicurarsi che nel luogo di installazione dell'unità non si accumulino neve, foglie o altri detriti. Se necessario, proteggere l'unità con una tenda da sole. Verificare che la tenda non ostruisca il flusso d'aria.
- La zona di installazione deve essere asciutta e ben ventilata.
- Verificare che ci sia uno spazio sufficiente per installare i tubi di collegamento e i cavi e per effettuare la manutenzione.

- Nella zona non devono essere presenti gas combustibili né sostanze chimiche.
- La lunghezza dei tubi tra l'unità interna e l'unità esterna non deve superare il valore massimo consentito.
- Se possibile, **NON** installare l'unità in un luogo esposto alla luce diretta del sole.
- Se possibile, assicurarsi che l'unità venga installata lontano dalle proprietà dei vicini di casa, al fine di evitare che il rumore proveniente dall'unità li disturbi.
- Se il luogo di installazione dell'unità è esposto a raffiche di vento (ad esempio vicino al mare), l'unità deve essere posizionata contro il muro per proteggerla dal vento. Se necessario, utilizzare una copertura idonea. (Vedere Fig. 5.1 e 5.2)
- Installare l'unità interna, l'unità esterna, i cavi e i fili ad almeno 1 metro da televisioni o radio per evitare la formazione di elettricità statica o la distorsione delle immagini. In base alle onde radio, una distanza di 1 metro potrebbe non essere sufficiente per eliminare le interferenze.

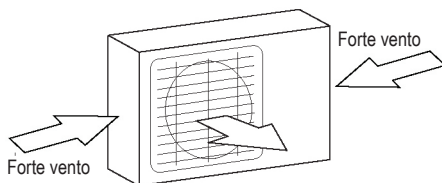


Fig. 5.1

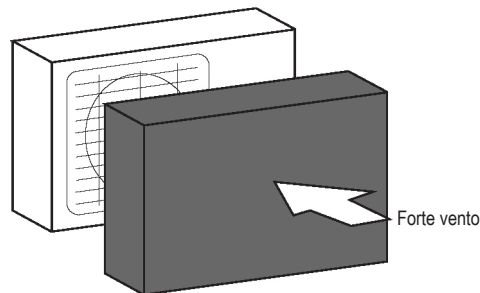


Fig. 5.2

Punto 2: Installare l'unità interna.

Fissare l'unità esterna con dei bulloni di ancoraggio (M10)

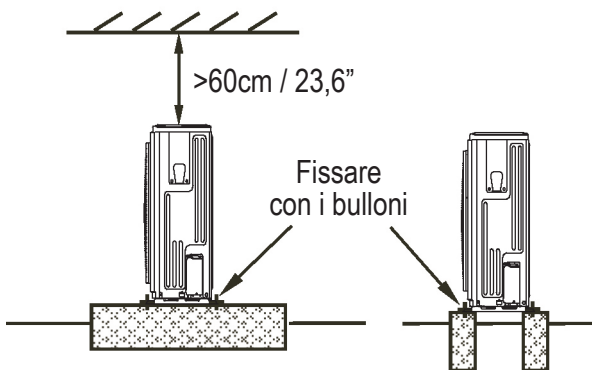


Fig. 5.3

! ATTENZIONE

- Assicurarsi di rimuovere tutti gli ostacoli che potrebbero bloccare la circolazione dell'aria.
- Fare sempre riferimento alle specifiche relative alla lunghezza per predisporre uno spazio sufficiente per l'installazione e la manutenzione.

5. INSTALLAZIONE DELL'UNITÀ ESTERNA

Unità esterna di tipo multisplit

(Fare riferimento alle Fig. 5.4, 5.5, 5.6, 5.9 e alla Tabella 5.1)

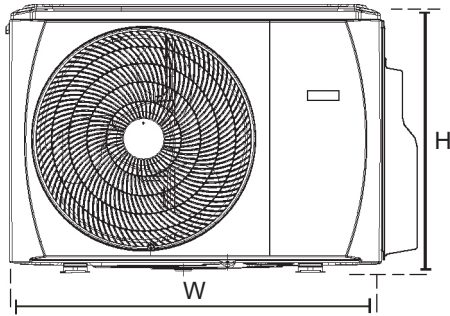


Fig. 5.4

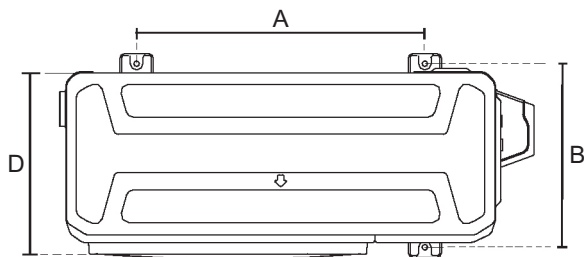


Fig. 5.5

Installazione in serie

Tabella 5.2 I rapporti tra H, A e L sono i seguenti.

	L	A
L ≤ H	L ≤ 1/2H	25 cm / 9,8" o più
	1/2H < L ≤ H	30 cm / 11,8" o più
L > H	L'installazione non è possibile	

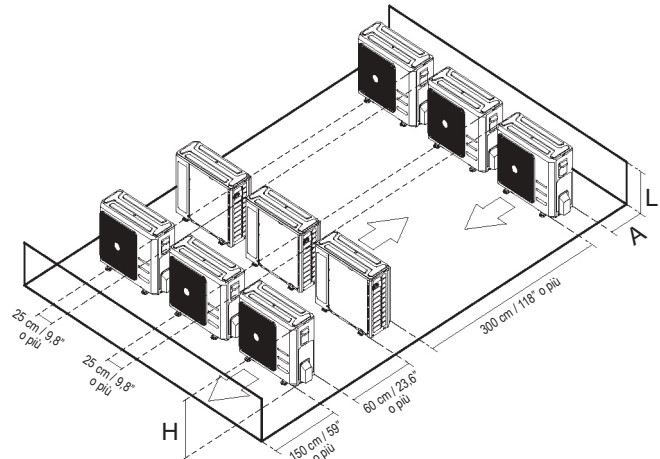


Fig. 5.6

Tabella 5.1: Specifiche relative alla lunghezza dell'unità esterna multisplit (unità di misura: mm)

Dimensioni unità esterna L x A x P	Dimensioni di fissaggio	
	Distanza A	Distanza B
800x554x333 (31.5x21.8x13.1)	514	340
845x702x363 (33.27x27.6x14.3)	540	350
946x810x410 (37.2x31.9x16.14)	673	403
805x554x330 (31.7x21.8x12.9)	511	317
890x673x342 (35.0x26.5x13.5)	663	354

5. INSTALLAZIONE DELL'UNITÀ ESTERNA

NOTA: La distanza minima tra l'unità esterna e i muri, descritta nella guida di installazione, non è applicabile alle stanze ermetiche. Assicurarsi che l'unità sia priva di ostruzioni in almeno due delle tre direzioni (M, N, P) (vedere Fig. 5.7)

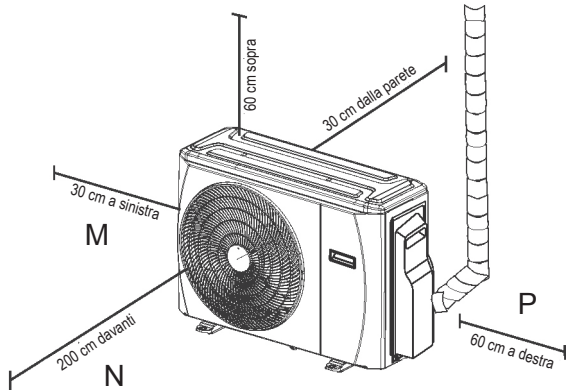


Fig. 5.7

5.2 Installazione del raccordo di scarico

Prima di fissare l'unità esterna è necessario installare il raccordo di scarico sulla parte inferiore dell'unità stessa. (Vedere Fig. 5.8)

1. Inserire la guarnizione di gomma sull'estremità del raccordo di scarico che viene collegata all'unità esterna.
2. Inserire il raccordo di scarico nel foro della vasca della base.
3. Ruotare il raccordo di scarico di 90° finché non scatta in posizione ed è rivolto verso la parte anteriore dell'unità.
4. Collegare una prolunga del tubo flessibile di scarico (non fornita in dotazione) al raccordo di scarico per ridirezionare il flusso di acqua proveniente dall'unità durante il funzionamento in modalità di riscaldamento.

NOTA: Verificare che l'acqua venga scaricata in un luogo sicuro in cui non si potrebbero causare danni o rischi di scivolamento.

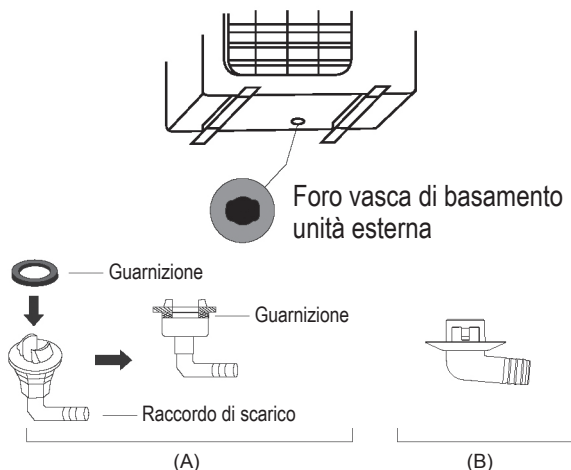


Fig. 5.8

5.3 Note relative ai fori nella parete

È necessario eseguire un foro nella parete per le tubazioni del refrigerante e il cavo segnali che collegherà l'unità interna e l'unità esterna.

1. Determinare la posizione del foro nella parete in base all'ubicazione dell'unità esterna.
2. Utilizzando una punta da 65 mm (2,5"), eseguire il foro nella parete.

NOTA: Quando si esegue il foro nella parete fare attenzione a non danneggiare cavi, tubazioni o altri componenti.

3. Posizionare il gommino protettivo nel foro. Consente di proteggere i bordi del foro nella parete e sigillare il foro al termine del processo di installazione.

5.4 Per l'unità interna da 24K

L'unità interna da 24K può essere collegata solamente ad un impianto A. Se vi sono due unità interne da 24K possono essere collegate agli impianti A e B. (Vedere Fig. 5.9)

Tabella 5.3: Dimensioni della tubazione di collegamento degli impianti A e B (unità di misura: pollici)

Capacità unità interna (Btu/h)	Liquido	Gas
7K/9K/12K	1/4	3/8
18K	1/4	1/2
24K	3/8	5/8

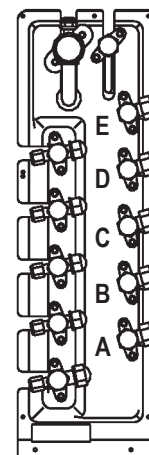


Fig. 5.9

6. COLLEGAMENTO DEL TUBO DEL REFRIGERANTE

6.1 Precauzioni di sicurezza

! AVVERTENZA

- Tutti i collegamenti delle tubazioni devono essere eseguiti da un tecnico patentato e devono essere conformi alle normative locali e nazionali.
- Quando il climatizzatore viene installato in una stanza piccola, adottare tutte le precauzioni necessarie ad evitare la concentrazione di refrigerante nella stanza e il superamento dei limiti di sicurezza in caso di perdite di refrigerante. Se si verificano perdite o una concentrazione eccessiva, si potrebbero provocare danni dovuti alla mancanza di ossigeno.
- Quando si installa l'impianto di refrigerazione, evitare che l'aria, la polvere, l'umidità o le sostanze estranee entrino nel circuito del refrigerante. La contaminazione dell'impianto potrebbe ridurre la capacità, provocare un'alta pressione nel ciclo di refrigerazione, causare esplosioni o lesioni.
- Ventilare l'area immediatamente in caso di perdite di refrigerante durante l'installazione. Il gas refrigerante è tossico e infiammabile. Assicurarsi che non ci siano perdite di refrigerante al termine dell'installazione.

Istruzioni di collegamento del tubo del refrigerante

! ATTENZIONE

- La tubazione ramificata deve essere installata orizzontalmente. Un'angolazione superiore al 10° potrebbe provocare danni.
- **NON** installare il tubo di collegamento finché non sono state installate le unità interna ed esterna.
- Isolare sia la tubazione del gas sia la tubazione del liquido per evitare perdite di acqua.

Punto 1: Taglio dei tubi

Quando si preparano i tubi del refrigerante, prestare attenzione ad eseguire correttamente il taglio e la svasatura. Ciò garantirà un funzionamento efficiente e ridurrà al minimo la necessità di manutenzioni future.

1. Misurare la distanza tra l'unità interna e l'unità esterna.
2. Utilizzando un tagliatubi, tagliare il tubo ad una misura leggermente più lunga della distanza misurata.

! ATTENZIONE

NON deformare il tubo durante il taglio. Prestare molta attenzione a non danneggiare, intaccare o deformare il tubo durante il taglio. Ciò ridurrebbe drasticamente l'efficienza di riscaldamento dell'unità.

1. Assicurarsi che il tubo sia tagliato con un'angolazione precisa di 90°. Fare riferimento alla Fig. 6.1 per gli esempi di taglio da evitare

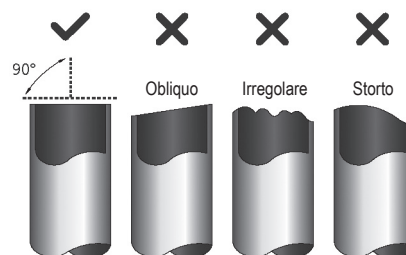


Fig. 6.1

Punto 2: Rimozione delle bavature.

Le bavature possono ridurre la tenuta d'aria delle tubazioni del refrigerante. Devono quindi essere completamente rimosse.

1. Mantenere il tubo rivolto verso il basso per evitare che le bavature entrino all'interno.
2. Utilizzando un alesatore o un apposito attrezzo, rimuovere tutte le bavature dalla sezione di taglio del tubo.

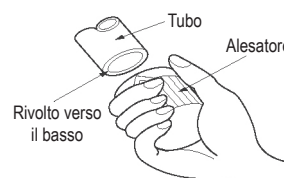


Fig. 6.2

Punto 3: Svasatura delle estremità del tubo

NOTA

- Per i modelli che adottano il refrigerante R32, i punti di connessione del tubo devono essere posizionati all'esterno del locale.

Una svasatura corretta è essenziale per una tenuta ermetica.

1. Dopo aver rimosso le bavature dal tubo tagliato, sigillare le estremità con nastro in PVC per evitare che corpi estranei entrino nel tubo stesso.
2. Rivestire il tubo con del materiale isolante.
3. Posizionare dei dadi svasati su entrambe le estremità del tubo. Verificare che siano rivolti nella direzione corretta poiché al termine della svasatura non è possibile riposizionarli o cambiarne la direzione. Vedere Fig. 6.3

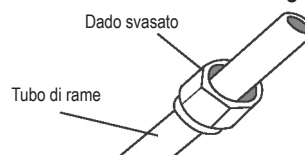


Fig. 6.3

6. COLLEGAMENTO DEL TUBO DEL REFRIGERANTE

4. Rimuovere il nastro in PVC dalle estremità dei tubi appena prima di eseguire la svasatura.
5. Applicare la sagoma per la svasatura sull'estremità del tubo. L'estremità del tubo deve fuoriuscire dalla sagoma.

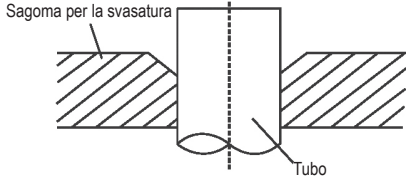


Fig. 6.4

6. Posizionare l'attrezzo per la svasatura sulla sagoma.
7. Ruotare l'impugnatura dell'attrezzo per la svasatura in senso orario fino al completamento della svasatura del tubo. Svasare il tubo rispettando le dimensioni indicate nella Tabella 6.1.

Tabella 6.1: ESTENSIONE DEL TUBO OLTRE LA SAGOMA DI SVASATURA

Diametro tubo	Coppia di serraggio	Dimensioni svasatura (A) (Unità di misura: mm)		Forma svasatura
		Min.	Max.	
Ø 6,4	14,2-17,2 N.m (144-176 kgf.cm)	8,3	8,3	
Ø 9,5	32,7-39,9 N.m (333-407 kgf.cm)	12,4	12,4	
Ø 12,7	49,5-60,3 N.m (504-616 kgf.cm)	15,4	15,8	
Ø 15,9	61,8-75,4 N.m (630-770 kgf.cm)	18,6	19	
Ø 19,1	97,2-118,6 N.m (990-1210 kgf.cm)	22,9	23,3	
Ø 22	109,5-133,7 N.m (1117-1364 kgf.cm)	27	27,3	

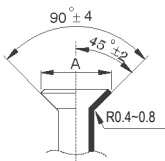


Fig. 6.5

8. Rimuovere l'attrezzo e la sagoma per la svasatura, quindi controllare se l'estremità del tubo presenta fessurazioni e se la svasatura è uniforme.

Punto 4: Collegamento dei tubi

Collegare i tubi di rame prima all'unità interna, quindi all'unità esterna. Collegare prima il tubo a bassa pressione, poi il tubo a alta pressione.

1. Quando si fissano i dadi svasati, applicare un leggero strato di olio refrigerante alle estremità svasate dei tubi.
2. Allineare il centro dei due tubi che verranno collegati.

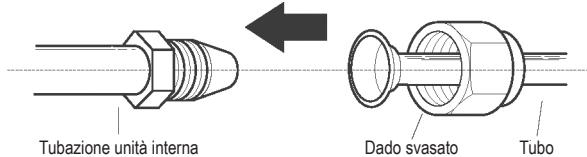


Fig. 6.6

3. Serrare manualmente il dado svasato il più a fondo possibile.
4. Utilizzando una chiave inglese, serrare il dado sulla tubazione dell'unità.
5. Afferrando saldamente il dado, utilizzare una chiave dinamometrica per serrare il dado svasato in base

ai valori di coppia indicati nella Tabella 7.1.

NOTA: Quando si collegano le tubazioni all'unità o si scollegano, utilizzare sia una chiave inglese sia una chiave dinamometrica.

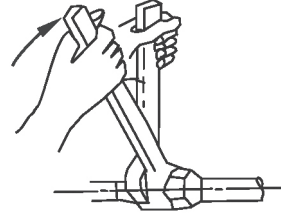


Fig. 6.7

! ATTENZIONE

- Assicurarsi di avvolgere l'isolante attorno alla tubazione. Il contatto diretto con le tubazioni potrebbe provocare ustioni o geloni.
- Assicurarsi che la tubazione sia collegata correttamente. Un eccessivo serraggio potrebbe danneggiare l'apertura del condotto di ventilazione, mentre un serraggio insufficiente potrebbe causare perdite.

NOTE RELATIVE AL RAGGIO MINIMO DI PIEGATURA

Piegare i tubi con cautela nella parte centrale, come indicato nella figura seguente. NON piegare la tubazione oltre 90° e non più di 3 volte.

Piegare la tubazione con le dita



raggio min. 10 cm

Fig. 6.8

6. Dopo aver collegato i tubi di rame all'unità interna, avvolgere il cavo di alimentazione, il cavo segnali e le tubazioni con l'apposito nastro.

NOTA: **NON** intrecciare il cavo segnali con altri fili. Quando si avvolgono questi componenti, prestare attenzione a non intrecciarli e a non incrociare il cavo segnali con altri fili.

7. Far passare la tubazione nella parete e collegarla all'unità esterna.
8. Isolare la tubazione, comprese le valvole dell'unità esterna.
9. Aprire le valvole di arresto dell'unità esterna per far scorrere il flusso di refrigerante tra l'unità interna e l'unità esterna.

! ATTENZIONE

Assicurarsi che non ci siano perdite di refrigerante al termine dell'installazione. Se ci sono perdite, ventilare immediatamente l'area ed evacuare l'impianto (fare riferimento alla sezione "Evacuazione dell'aria" di questo manuale).

7. CABLAGGIO

7.1 Precauzioni di sicurezza

AVVERTENZA

- Scollegare l'alimentazione prima di intervenire sull'unità.
- Tutti i collegamenti elettrici devono essere eseguiti conformemente alle normative locali e nazionali.
- I collegamenti elettrici devono essere effettuati da un tecnico qualificato. Collegamenti errati potrebbero infatti provocare guasti elettrici, lesioni e incendi.
- Per questa unità è necessario utilizzare un circuito indipendente e un'uscita singola. **NON** collegare altri apparecchi o caricatori alla stessa uscita. Se la capacità del circuito elettrico non è sufficiente oppure se vi sono difetti nell'impianto elettrico si potrebbero verificare scosse elettriche, incendi e danni alle unità e alle cose.
- Collegare il cavo di alimentazione ai terminali e fissarlo con una fascetta. Un collegamento allentato potrebbe provocare incendi.
- Assicurarsi che tutti i collegamenti siano stati eseguiti correttamente e che il pannello comandi sia stato installato nel modo appropriato. In caso contrario, si potrebbero verificare surriscaldamenti, incendi e scosse elettriche in corrispondenza dei punti di collegamento.
- Verificare che il collegamento all'alimentazione principale venga effettuato tramite un interruttore che scolleghi tutti i poli, con una separazione del contatto di almeno 3mm.
- **NON** modificare la lunghezza del cavo di alimentazione né utilizzare un cavo di prolunga.

ATTENZIONE

- Collegare i fili dell'unità esterna prima di collegare i fili dell'unità interna.
- Prevedere un collegamento a terra dell'unità. I cavi di messa a terra devono essere lontani da tubi del gas, tubi dell'acqua, parafulmini, fili del telefono o altri cavi di messa a terra. In caso contrario, si potrebbero provocare scosse elettriche.
- **NON** collegare l'unità all'alimentazione finché tutti i collegamenti dei cavi e delle tubazioni non sono stati completati.
- Prestare attenzione a non intrecciare i cavi elettrici con il cavo segnali, poiché si potrebbero provocare distorsioni e interferenze.

Seguire queste istruzioni per evitare distorsioni all'avvio del compressore:

- L'unità deve essere collegata all'uscita principale. Normalmente, l'alimentazione deve avere un'impedenza di uscita bassa di 32 Ohm.
- Non collegare altre attrezzature allo stesso circuito di alimentazione.
- Le informazioni relative all'alimentazione dell'unità sono presenti sulla targhetta dei valori nominali applicata sul prodotto.

7.2 Cablaggio dell'unità esterna

AVVERTENZA

Prima di eseguire qualsiasi intervento di tipo elettrico o di collegamento, scollegare l'alimentazione principale.

1. Preparare il cavo per il collegamento
 - a. Innanzitutto, scegliere le dimensioni corrette del cavo prima della preparazione al collegamento. Assicurarsi di usare i cavi H07RN-F.

7. CABLAGGIO

Tabella 7.1: Altre regioni

Corrente nominale dell'apparecchio (A)	Area sezione trasversale nominale (mm ²)
≤ 6	0,75
6 - 10	1
10 - 16	1,5
16 - 25	2,5
25 - 32	4
32 - 45	6

- b. Utilizzando uno spelacavi, rimuovere il rivestimento in gomma da entrambe le estremità del cavo segnali per scoprire una parte di circa 15cm dell'interno dei cavi.
- c. Rimuovere l'isolante dalle estremità dei cavi.
- d. Utilizzando un crimpatore, crimpare dei capicorda a U sulle estremità dei cavi.

NOTA: Quando si collegano i cavi seguire scrupolosamente lo schema elettrico (posizionato all'interno del coperchio della scatola elettrica).

2. Rimuovere il coperchio elettrico dell'unità esterna. Se l'unità esterna è sprovvista di coperchio, smontare i bulloni dal pannello di manutenzione e rimuovere il pannello di protezione. (Vedere Fig. 8.1)

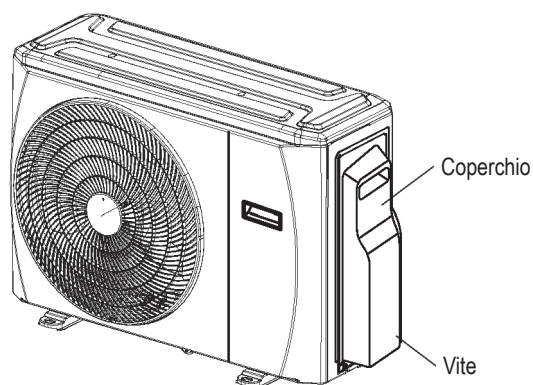


Fig. 7.1

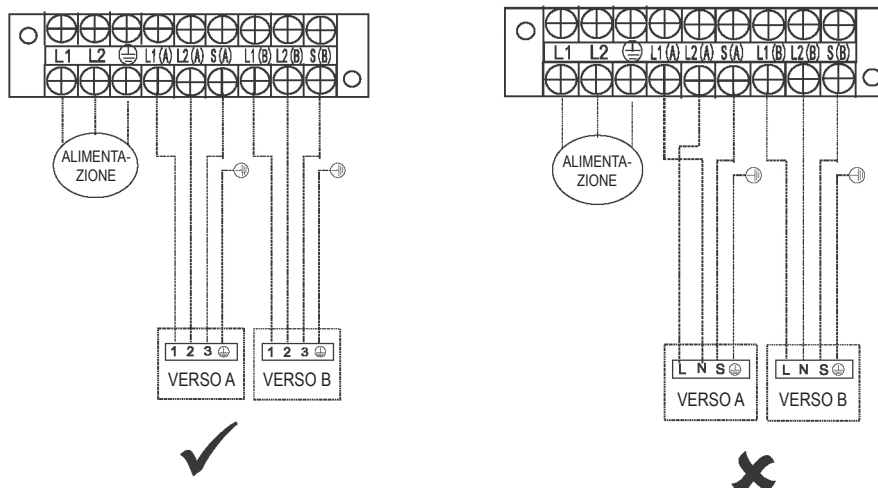
3. Collegare i capicorda a U ai terminali. Abbinare i colori dei fili/etichette con le etichette sul blocco terminali e serrare saldamente il capocorda a U di ciascun cavo con il terminale corrispondente.
4. Fissare saldamente il cavo con la relativa fascetta.
5. Isolare i cavi inutilizzati con nastro isolante. Tenerli lontano dai componenti elettrici o metallici.
6. Reinstallare il coperchio della scatola comandi elettrica.

7. CABLAGGIO

7.3 Figura illustrativa dei collegamenti

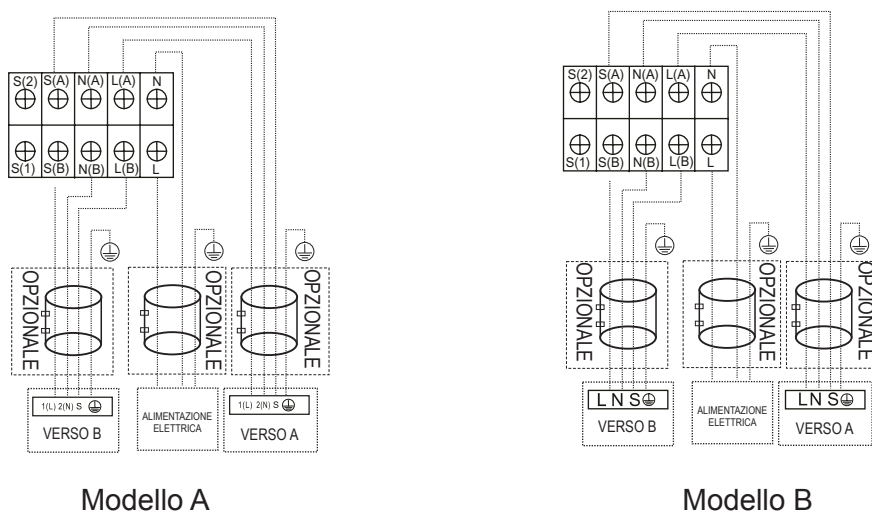
! ATTENZIONE

Collegare i cavi ai terminali come indicato in figura, abbinando i numeri sul blocco terminali dell'unità interna e dell'unità esterna. Ad esempio, nei modelli rappresentati nella figura seguente il terminale L1(A) dell'unità esterna devono essere collegati al terminale 1 sull'unità interna A.



NOTA: Le seguenti figure devono essere utilizzate come riferimento se l'utente finale desidera creare il collegamento da sé.

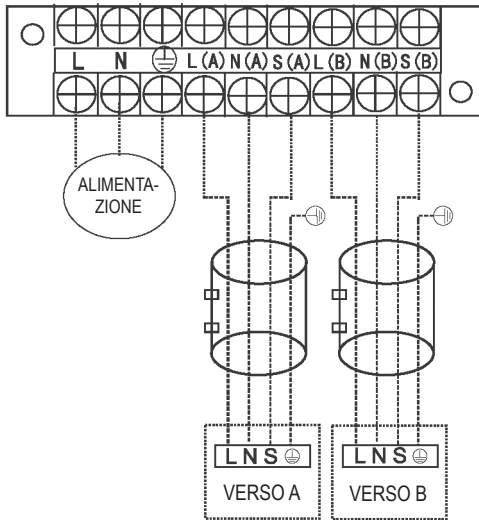
Modelli uno-due:



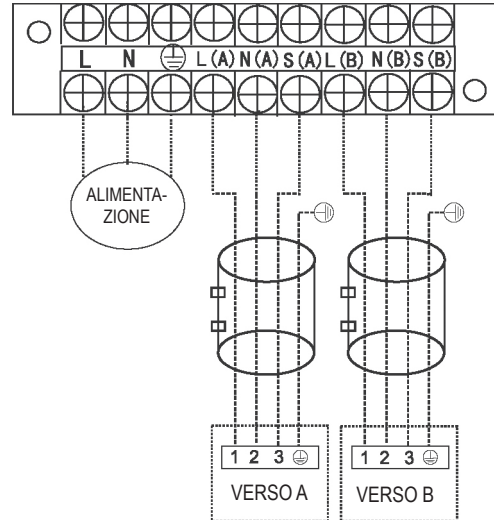
 **Anello magnetico (non in dotazione, componente opzionale) (Utilizzato per l'aggancio al cavo di collegamento dell'unità interna e dell'unità esterna dopo l'installazione).**

7. CABLAGGIO

Modelli uno-due:



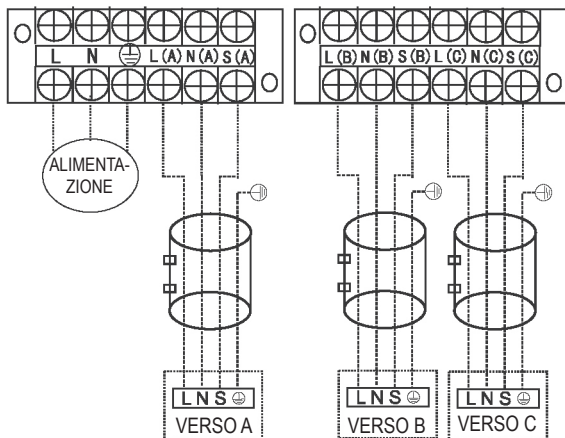
Modello C



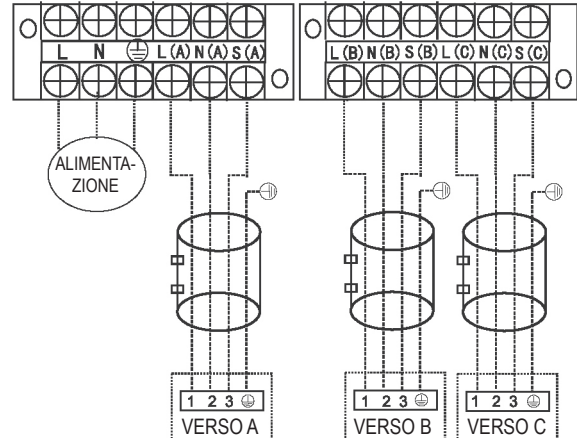
Modello D

NOTA: Le seguenti figure devono essere utilizzate come riferimento se l'utente finale desidera creare il collegamento da sé.

Modelli uno-tre:

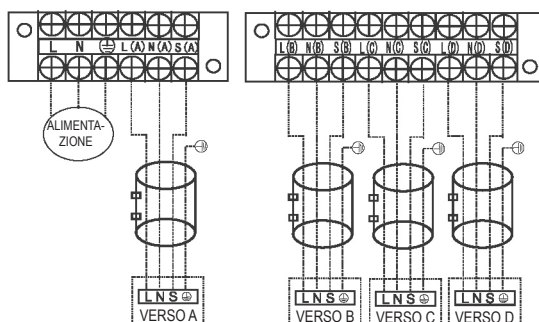


Modello A

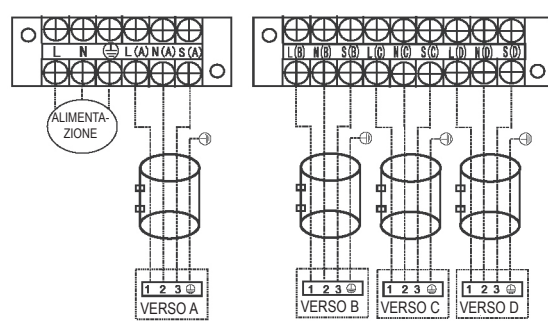


Modello B

Modelli uno-quattro:



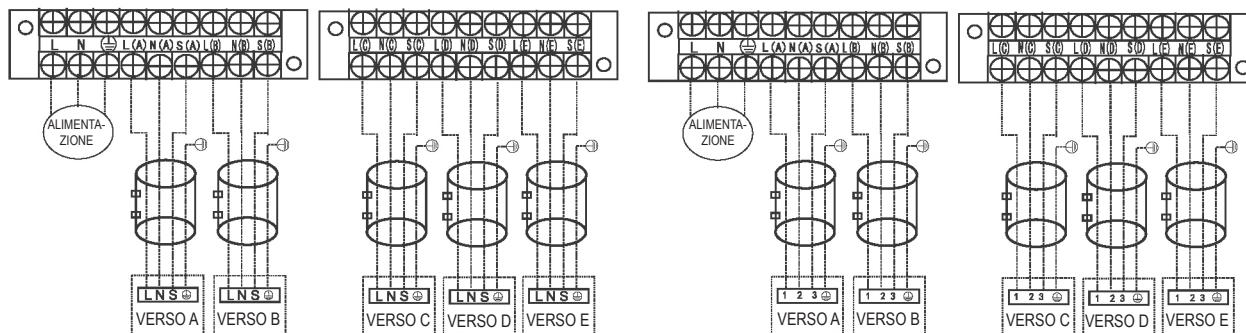
Modello A



Modello B

7. CABLAGGIO

Modelli uno-cinque:



Modello A

Modello B

! ATTENZIONE

Dopo aver verificato le condizioni precedentemente descritte, seguire queste linee guida durante il collegamento:

- Predisporre sempre un circuito di alimentazione specifico per il climatizzatore. Seguire sempre lo schema elettrico del circuito applicato all'interno del coperchio comandi.
- Le viti che fissano il cablaggio nell'alloggiamento dei fissaggi elettrici potrebbero allentarsi durante il trasporto. Le viti allentate potrebbero provocare surriscaldamenti, quindi controllare che le viti siano serrate a fondo.
- Controllare le specifiche relative all'alimentazione.
- Verificare che la capacità elettrica sia sufficiente.
- Verificare che la tensione di avviamento venga mantenuta ad oltre il 90% della tensione nominale indicata sulla piastrina identificativa.
- Verificare che lo spessore del cavo sia conforme ai valori indicati nelle specifiche relative all'alimentazione.
- Installare sempre un interruttore di dispersione a terra nelle zone umide.
- Un calo di tensione potrebbe provocare quanto segue: vibrazioni dell'interruttore magnetico, danni ai punti di contatto, rotture nei fusibili e malfunzionamento del prodotto.
- Un interruttore di dispersione e un interruttore di alimentazione devono essere integrati nel cablaggio fisso. È necessario prevedere una separazione del contatto di almeno 3mm in ciascun conduttore (di fase).
- Prima di accedere ai terminali, tutti i circuiti di alimentazione devono essere scollegati.

NOTA SULLE SPECIFICHE DEL FUSIBILE:

(Applicabile solo alle unità che adottano refrigerante R32.)

1. La specifica del fusibile dell'unità esterna è T20A/250VCA (per unità <24.000 Btu/h), T30A/250VCA (per unità >24.000 Btu/h)
2. il fusibile è in ceramica

8. EVACUAZIONE DELL'ARIA

8.1 Precauzioni di sicurezza

! ATTENZIONE

- Utilizzare una pompa di aspirazione il cui pressostato indichi un valore inferiore a $-0,1\text{MPa}$ e una capacità di scarico aria superiore a 40L/min .
- L'unità non deve essere evacuata. **NON** aprire le valvole di arresto del gas e del liquido dell'unità esterna.
- Assicurarsi che l'indicatore multiuso visualizzi un valore pari o inferiore a $-0,1\text{MPa}$ dopo 2 ore. Dopo tre ore, se il pressostato indica ancora un valore superiore a $-0,1\text{MPa}$, controllare se ci sono perdite di gas o di liquido all'interno della tubazione. Se non ci sono perdite, effettuare un'altra evacuazione per 1 o 2 ore.
- **NON** utilizzare gas refrigerante per evacuare l'impianto.

8.2 Istruzioni per l'evacuazione

Prima di utilizzare il collettore e la pompa di aspirazione, leggere i rispettivi manuali d'uso per apprendere correttamente il loro funzionamento.

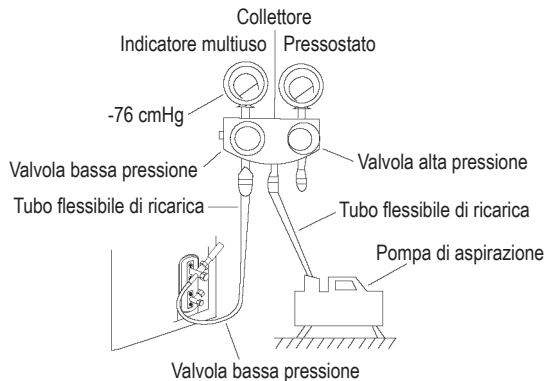


Fig. 8.1

1. Collegare il tubo flessibile di ricarica del collettore alla luce di manutenzione sulla valvola bassa pressione dell'unità esterna.
2. Collegare il tubo flessibile di ricarica del collettore alla pompa di aspirazione.
3. Aprire il lato bassa pressione del collettore. Tenere chiuso il lato alta pressione.
4. Azionare la pompa di aspirazione per evacuare l'impianto.
5. Procedere con l'operazione per almeno 15 minuti, oppure finché l'indicatore multiuso visualizza -76cmHG ($-1 \times 10^5\text{Pa}$).
6. Chiudere la valvola bassa pressione del collettore e spegnere la pompa di aspirazione.
7. Attendere 5 minuti e verificare che non ci siano variazioni nella pressione dell'impianto.

NOTA: Se non si verificano variazioni di pressione nell'impianto, allentare il tappo dalla valvola di dosaggio (valvola alta pressione). Se si verificano variazioni di pressione nell'impianto, potrebbero esserci perdite di gas.

8. Inserire la chiave esagonale nella valvola di dosaggio (valvola alta pressione) e aprire la valvola ruotando la chiave di $1/4$ di giro in senso antiorario. Quando si sente il gas fuoriuscire dall'impianto, chiudere la valvola dopo 5 secondi.

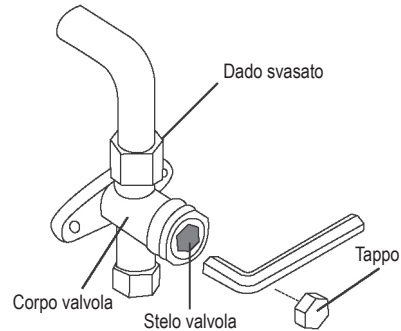


Fig. 8.2

9. Controllare il pressostato per un minuto per verificare che non ci siano variazioni di pressione. Il valore visualizzato deve essere leggermente superiore a quello della pressione atmosferica.
10. Rimuovere il tubo flessibile di ricarica dalla luce di manutenzione.
11. Utilizzando la chiave esagonale, aprire completamente sia la valvola alta pressione sia la valvola bassa pressione.

8.3 APRIRE CON CAUTELE GLI STELI DELLE VALVOLE

Quando si aprono gli steli delle valvole, ruotare la chiave esagonale finché non si blocca contro il fermo. **NON** forzare per aprire ulteriormente la valvola.

12. Serrare manualmente i tappi delle valvole, quindi serrarli a fondo con l'apposito attrezzo.
13. Se l'unità esterna utilizza tutte le valvole di aspirazione e la posizione di aspirazione si trova in corrispondenza della valvola principale, l'impianto non è collegato all'unità interna. La valvola deve essere aperta con un dado. Prima del funzionamento, controllare se ci sono perdite di gas.



Fig. 8.3

8. EVACUAZIONE DELL'ARIA

8.4 Note relative all'aggiunta di refrigerante

! ATTENZIONE

- La ricarica del refrigerante deve essere effettuata dopo il collegamento dei cavi, l'evacuazione e la verifica delle perdite.
- **NON** inserire una quantità di refrigerante superiore al valore massimo consentito né sovraccaricare l'impianto. In caso contrario, si potrebbero provocare danni o si potrebbe ridurre il funzionamento dell'unità.
- Ricaricare l'impianto con sostanze non idonee potrebbe provocare esplosioni o incidenti. Assicurarsi di utilizzare il refrigerante corretto.
- I contenitori di refrigerante devono essere aperti lentamente. Indossare sempre un abbigliamento protettivo durante la ricarica dell'impianto.
- **NON** mischiare tipi differenti di refrigerante.

N=2 (modelli uno-due), N=3 (modelli uno-tre), N=4 (modelli uno-quattro), N=5 (modelli uno-cinque). In base alla lunghezza delle tubazioni o alla pressione dell'impianto evacuato potrebbe essere necessario aggiungere refrigerante. Fare riferimento alla seguente tabella per le quantità di refrigerante da aggiungere:

REFRIGERANTE AGGIUNTIVO PER LUNGHEZZA TUBAZIONE

Lunghezza tubazione	Metodo di spurgo dell'aria	Refrigerante aggiunto (R410A/R32)	
Lunghezza tubazione di pre-carica (ft/m) (Lunghezza tubazione standard x N)	Pompa di aspirazione	Non disponibile	
Superiore a (Lunghezza tubazione standard x N)ft/m	Pompa di aspirazione	Lato liquido: Ø 6,35 (Ø 1/4") (Lunghezza totale tubazione - lunghezza tubazione standard x N) x15g/m (Lunghezza totale tubazione - lunghezza tubazione standard x N) x12g/m	Lato liquido: Ø 9,52 (Ø 3/8") (Lunghezza totale tubazione - lunghezza tubazione standard x N) x30g/m (Lunghezza totale tubazione - lunghezza tubazione standard x N) x24g/m

**Nota: 1) Utilizzare gli strumenti per i sistemi R410A/R32, rispettivamente;
2) La lunghezza standard del tubo è di 7,5 m (24,6'). Quando la lunghezza del tubo è superiore a 7,5 m, il refrigerante aggiuntivo deve essere aggiunto in base alla lunghezza del tubo.**

8.5 Verifiche di sicurezza e controlli delle perdite

Controllo di sicurezza elettrico

Effettuare il controllo di sicurezza elettrico dopo aver terminato l'installazione.

Riguarda le seguenti aree:

1. Resistenza dell'isolante
La resistenza dell'isolante deve essere superiore a 2MΩ.
2. Messa a terra
Al termine della messa a terra, misurare visivamente la resistenza di messa a terra utilizzando l'apposito tester. Assicurarsi che la resistenza di messa a terra sia inferiore a 4Ω.
3. Verifica perdite elettriche (eseguita durante il test mentre l'unità è in funzione)
Durante il funzionamento di prova al termine dell'installazione, utilizzare una sonda elettrica e un multimetro per effettuare una verifica delle perdite elettriche. Spegnerne immediatamente l'unità se vi sono perdite. Provare e valutare soluzioni differenti finché l'unità funziona correttamente.

Verifica delle perdite di gas

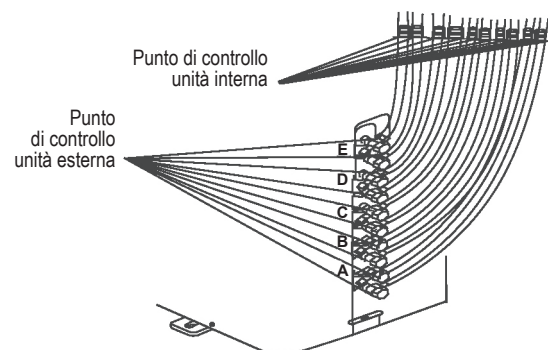
1. Metodo dell'acqua e sapone:
Con una spugna morbida, applicare una soluzione di acqua e sapone o un detergente liquido neutro sui collegamenti dell'unità interna o dell'unità esterna

per verificare se ci sono perdite nei punti di collegamento delle tubazioni.

Se si formano bolle, ci sono delle perdite.

2. Rilevatore di perdite
Utilizzare un rilevatore di perdite per verificare se ci sono perdite.

NOTA: L'illustrazione è puramente esemplificativa. L'ordine A, B, C, D ed E sull'apparecchio potrebbe essere leggermente diverso dall'unità acquistata, ma il layout generale è sostanzialmente lo stesso.



A, B, C, D sono i punti della tipologia uno-quattro.
A, B, C, D ed E sono i punti della tipologia uno-cinque.

Fig. 8.4

9. AZIONAMENTO DI PROVA

9.1 Prima dell'azionamento di prova

È necessario eseguire un azionamento di prova dopo aver terminato l'installazione dell'intero impianto. Prima di procedere, verificare quanto segue:

- a) L'unità interna ed esterna devono essere installate correttamente.
- b) Le tubazioni e il cablaggio devono essere collegati correttamente.
- c) Non devono esserci ostacoli vicino all'ingresso e all'uscita dell'unità che potrebbero ridurre le prestazioni o causare danni al prodotto.
- d) L'impianto di refrigerazione non deve presentare perdite.
- e) Non devono esserci ostacoli nell'impianto di scarico e lo scarico deve avvenire in un luogo sicuro.
- f) L'isolamento termico deve essere installato correttamente.
- g) I cavi di messa a terra devono essere collegati correttamente.
- h) La lunghezza delle tubazioni e la capacità di inserimento del refrigerante aggiuntivo devono essere annotati.
- i) La tensione di alimentazione deve essere corretta per il climatizzatore.

! ATTENZIONE

Un azionamento di prova errato potrebbe provocare danni all'unità e alle cose e causare lesioni.

9.2 Istruzioni per l'azionamento di prova

Prima di utilizzare il collettore e la pompa di aspirazione, leggere i rispettivi manuali d'uso per apprendere correttamente il loro funzionamento.

1. Aprire le valvole di arresto del gas e del liquido.
2. Posizionare l'interruttore principale su ON e far riscaldare l'unità.
3. Attivare la modalità di RAFFREDDAMENTO del climatizzatore.
4. Per l'unità interna
 - a. Assicurarsi che il telecomando e i relativi pulsanti funzionino correttamente.
 - b. Verificare che le alette si muovano correttamente e che il movimento possa essere modificato con il telecomando.
 - c. Controllare attentamente che la temperatura ambiente sia registrata correttamente.

- d. Assicurarsi che gli indicatori sul telecomando e il display sull'unità interna funzionino correttamente.
- e. Verificare che i pulsanti azionabili manualmente sull'unità interna funzionino correttamente.
- f. Controllare che non ci siano ostacoli nell'impianto di scarico e che lo scarico avvenga senza problemi.
- g. Assicurarsi che non si verifichino vibrazioni o rumori anomali durante il funzionamento.

5. Per l'unità esterna

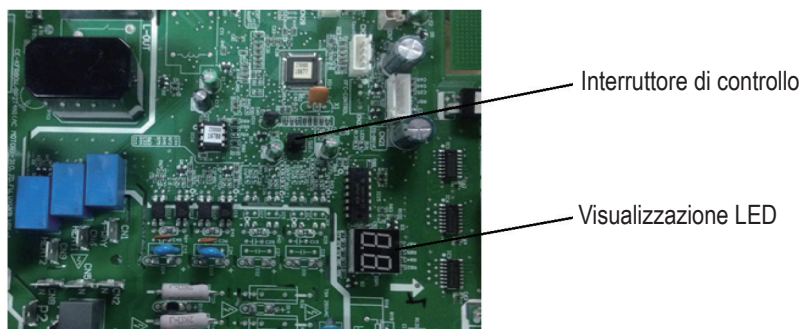
- a. Verificare che non ci siano perdite nell'impianto di refrigerazione.
- b. Assicurarsi che non si verifichino vibrazioni o rumori anomali durante il funzionamento.
- c. Controllare che il vento, il rumore e l'acqua prodotti dall'unità non disturbino i vicini né provochino rischi per la sicurezza.

NOTA: Se l'Unità non funziona correttamente oppure il funzionamento è diverso da quanto indicato, fare riferimento alla sezione "Ricerca guasti" del manuale utente prima di contattare il servizio clienti.

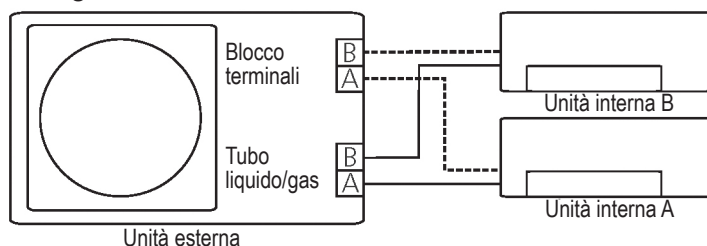
10. FUNZIONE DI CORREZIONE AUTOMATICA CABLAGGIO/TUBAZIONI

10.1 Funzione di correzione automatica del cablaggio e delle tubazioni

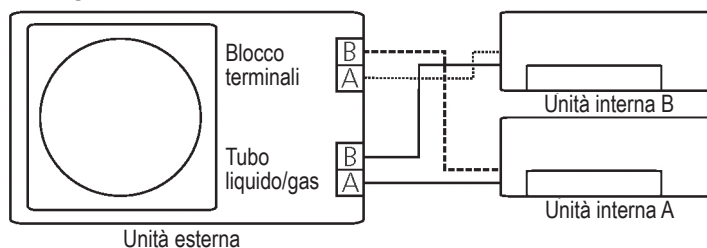
I modelli più recenti sono dotati della funzione di correzione automatica degli errori relativi al cablaggio e alle tubazioni. Premere l'interruttore di controllo sulla scheda PCB dell'unità esterna per 5 secondi finché il LED visualizza "CE", che indica che la funzione è stata attivata. Dopo circa 5-10 minuti dall'azionamento dell'interruttore, la voce "CE" scompare. Ciò significa che l'errore relativo al cablaggio e alle tubazioni è stato corretto e che il cablaggio e le tubazioni sono collegate correttamente.



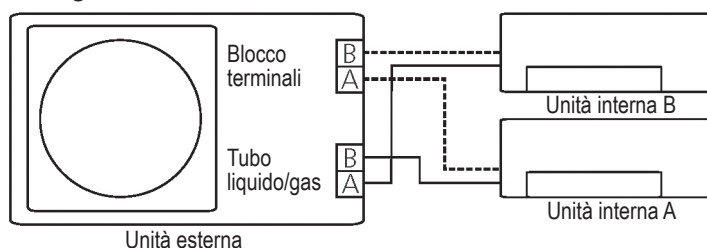
Collegamento corretto



Collegamento errato



Collegamento errato



10.2 Come attivare la funzione

1. Controllare che la temperatura sia superiore a 5°C.
(Questa funzione non viene attivata se la temperatura esterna è inferiore a 5°C)
2. Verificare che le valvole di arresto del tubo del liquido e del tubo del gas siano aperte.
3. Azionare l'interruttore e attendere almeno 2 minuti.
4. Premere l'interruttore di controllo sulla scheda PCB dell'unità esterna finché il LED visualizza "CE".

11. INFORMAZIONI SULLA MANUTENZIONE

11.1 CONTROLLI SULL'AREA

Prima di iniziare a lavorare su sistemi che contengono refrigeranti infiammabili, sono necessari controlli di sicurezza per ridurre al minimo i rischi di incendio. Prendere le seguenti precauzioni prima di effettuare interventi di riparazione sull'impianto.

11.2 PROCEDURA DI LAVORO

I lavori devono essere controllati al fine di ridurre al minimo il rischio di presenza di gas infiammabili o vapore mentre viene effettuato l'intervento.

11.3 INFORMAZIONI GENERALI SULL'AREA DI LAVORO

Tutto il personale addetto alla manutenzione deve essere informato della natura del lavoro effettuato. Evitare di operare in spazi ristretti. La zona attorno allo spazio di lavoro deve essere delimitata. Garantire che l'area sia stata messa in sicurezza mediante il controllo del materiale infiammabile.

11.4 CONTROLLO DELLA PRESENZA DI REFRIGERANTE

L'area deve essere controllata con un rilevatore di refrigerante appropriato prima e durante il lavoro, per garantire al tecnico di sapere se l'atmosfera è potenzialmente infiammabile. Garantire che l'attrezzatura di rilevamento perdite utilizzata sia adatta all'uso con refrigeranti infiammabili, ovvero che non produca scintille, sia adeguatamente sigillata o intrinsecamente sicura.

11.5 PRESENZA DELL'ESTINTORE

Se devono essere effettuati interventi sull'attrezzatura di refrigerazione o su qualsiasi componente associato, è necessario avere a portata di mano un'attrezzatura di spegnimento incendi adeguata. Porre un estintore a polvere secca o a CO₂ vicino all'area di ricarica.

11.6 NESSUNA FONTE DI ACCENSIONE

Nessuna persona che effettui interventi relativi all'impianto di refrigerazione che coinvolgano l'esposizione a tubazioni che contengono o contenevano refrigerante deve usare fonti di accensione per evitare il rischio di incendi o esplosioni. Tutte le possibili fonti di accensione, comprese le sigarette, devono essere mantenute a sufficiente distanza dal luogo di installazione, riparazione e smaltimento, perché potrebbe essere rilasciato refrigerante nello spazio limitrofo. Prima di iniziare gli interventi, l'area attorno all'attrezzatura deve essere sorvegliata per garantire che non ci siano fonti di accensione o rischi di incendio. Devono essere affissi cartelli con la scritta "VIETATO FUMARE".

11.7 AREA VENTILATA

Assicurarsi che la zona sia all'aperto o adeguatamente ventilata prima di operare sull'impianto o effettuare interventi su componenti caldi. È necessario un certo grado di ventilazione durante il periodo di effettuazione dell'intervento. L'impianto di ventilazione deve disperdere in sicurezza il refrigerante rilasciato e preferibilmente espellerlo esternamente nell'atmosfera.

11.8 CONTROLLI ALL'ATTREZZATURA DI REFRIGERAZIONE

Se vengono sostituiti componenti elettrici, devono essere adatti allo scopo e soddisfare le specifiche corrette. Devono sempre essere osservate le linee guida di manutenzione e assistenza del fabbricante. In caso di dubbi, rivolgersi al reparto tecnico del fabbricante per richiedere assistenza. È necessario effettuare i seguenti controlli sugli impianti che utilizzano refrigeranti infiammabili:

11. INFORMAZIONI SULLA MANUTENZIONE

- le dimensioni di ricarica devono basarsi sulle dimensioni della stanza in cui i componenti che contengono refrigerante vengono installati;
- i macchinari e le prese di ventilazione devono funzionare in modo adeguato e non essere ostruiti;
- se viene utilizzato un circuito refrigerante indiretto, i circuiti secondari devono essere controllati per la presenza di refrigerante; i contrassegni sull'apparecchiatura devono continuare ad essere visibili e leggibili.
- i contrassegni e i segni illeggibili devono essere corretti;
- il tubo di refrigerazione o i componenti devono essere installati in una posizione in cui è improbabile che possano essere esposti a sostanze che potrebbero corrodere i componenti contenenti refrigerante, a meno che i componenti siano fabbricati con materiali intrinsecamente resistenti alla corrosione o opportunamente protetti dalla corrosione.

11.9 CONTROLLI AI DISPOSITIVI ELETTRICI

La riparazione e la manutenzione dei componenti elettrici comprendono i controlli di sicurezza iniziali e le procedure di ispezione dei componenti. Se c'è un guasto che potrebbe compromettere la sicurezza, non collegare nessuna alimentazione elettrica al circuito fino a quando non è stato risolto. Se il guasto non può essere corretto immediatamente, ma è necessario procedere con l'operazione, utilizzare una soluzione temporanea adeguata. Ciò deve essere segnalato al proprietario del dispositivo, in modo che tutti siano avvertiti.

I controlli di sicurezza iniziali comprendono:

- lo scarico dei condensatori: ciò deve essere effettuato in modo sicuro per evitare la possibilità di scintille
- i componenti elettrici e il cablaggio sotto tensione non devono essere esposti durante la ricarica, il recupero o lo spurgo del sistema;
- la continuità di collegamento a terra.

11.10 RIPARAZIONI AI COMPONENTI SIGILLATI

- 11.1 Durante le riparazioni ai componenti sigillati, tutte le forniture elettriche devono essere staccate dalle apparecchiature in lavorazione prima di qualsiasi rimozione dei coperchi a tenuta, ecc. Se è assolutamente necessario erogare elettricità alle apparecchiature durante la manutenzione, un dispositivo di rilevamento delle perdite che opera in modo permanente deve essere collocato nel punto più critico per avvertire di una situazione potenzialmente pericolosa.
- 11.2 Una particolare attenzione deve essere posta a quanto segue per garantire che, lavorando su componenti elettrici, la scatola esterna non sia alterata in modo da influire sul livello di protezione. Ciò comprende i danni ai cavi, numero eccessivo di connessioni, i terminali che non soddisfano le specifiche originali, danni alle guarnizioni, montaggio errato delle tenute dei cavi, ecc.
- Assicurarsi che l'apparecchiatura sia montata saldamente.
 - Assicurarsi che le guarnizioni o i materiali di tenuta non si siano deteriorati in modo tale che non servano più allo scopo di impedire l'ingresso di atmosfere infiammabili. Le parti di ricambio devono essere conformi alle specifiche del fabbricante.

NOTA: L'uso di sigillante siliconico può inibire l'efficacia di alcuni tipi di apparecchiature di rilevamento perdite. Non è necessario isolare i componenti intrinsecamente sicuri prima di lavorare su di essi.

11.11 RIPARAZIONE DI COMPONENTI INTRINSECAMENTE SICURI

Non applicare carichi induttivi o capacitivi permanenti al circuito senza garantire che questo non provocherà il superamento della tensione e della corrente ammissibili e consentite per le apparecchiature in uso. I componenti intrinsecamente sicuri sono gli unici tipi sui quali è possibile operare sotto tensione in presenza di un'atmosfera infiammabile. L'apparecchiatura di prova deve avere una tensione nominale adeguata. Sostituire i componenti solo con parti specificate dal fabbricante. Altre parti possono provocare l'accensione di refrigerante nell'atmosfera in seguito a una perdita.

11. INFORMAZIONI SULLA MANUTENZIONE

11.12 CABLAGGIO

Controllare che il cablaggio non sia soggetto ad usura, corrosione, pressione eccessiva, vibrazioni, spigoli vivi o altri agenti ambientali avversi. Il controllo deve inoltre tener conto degli effetti dell'invecchiamento o delle vibrazioni continue da fonti come compressori o ventilatori.

11.13 RILEVAMENTO DI REFRIGERANTI INFIAMMABILI

In nessun caso devono essere utilizzate potenziali fonti di accensione nella ricerca o nella rilevazione di perdite di refrigerante. Non utilizzare una torcia ad alogenuro (o qualsiasi altro rivelatore che utilizzi una fiamma libera).

11.14 METODI RILEVAMENTO PERDITE

Per i sistemi contenenti refrigeranti infiammabili sono ritenuti accettabili i seguenti metodi di rilevamento di perdite. I rilevatori di fughe elettronici sono utilizzati per rilevare i refrigeranti infiammabili, ma la sensibilità potrebbe non essere sufficiente, oppure potrebbe essere necessaria una ri-calibrazione. (Le apparecchiature di rilevamento devono essere tarate in una zona priva di refrigerante.) Assicurarsi che il rivelatore non sia una fonte potenziale di accensione e sia è adatto al refrigerante. Le apparecchiature di rilevamento perdite devono essere impostate a una percentuale del limite minimo di infiammabilità del refrigerante ed essere tarate in base al refrigerante impiegato, e la percentuale di gas (25% massimo) deve essere appropriata. I fluidi di rilevamento perdite devono essere adatti all'uso con la maggior parte dei refrigeranti ma occorre evitare l'uso di detergenti contenenti cloro poiché il cloro può reagire con il refrigerante e corrodere le tubature di rame. Se si sospetta una perdita, tutte le fiamme libere devono essere rimosse o spente. Se viene rilevata una perdita di refrigerante che richiede brasatura, tutto il refrigerante deve essere recuperato dall'impianto, oppure isolato (tramite valvole di esclusione) in una parte dell'impianto lontana dalla perdita. L'azoto senza ossigeno (OFN) deve quindi essere spurgato attraverso l'impianto sia prima che durante il processo di brasatura.

11.15 RIMOZIONE E SVUOTAMENTO

Quando si opera su un circuito refrigerante per effettuare riparazioni per qualsiasi altro scopo devono essere utilizzate le procedure tradizionali. Tuttavia, è importante seguire le migliori pratiche dato occorre considerare l'infiammabilità. Deve essere rispettata la procedura seguente:

- rimuovere il refrigerante;
- spurgare il circuito con gas inerte;
- svuotare;
- spurgare nuovamente con gas inerte;
- aprire il circuito tagliandolo o mediante la brasatura.

La carica di refrigerante deve essere recuperata nei cilindri di recupero corretti. L'impianto deve essere lavato con OFN per rendere sicura l'unità. Potrebbe essere necessario ripetere più volte questa procedura. Per questa operazione non utilizzare aria compressa o ossigeno.

Il lavaggio deve essere effettuato rimuovendo la depressione nel sistema con OFN e continuando a riempire finché viene raggiunta la pressione di esercizio, quindi sfiatando all'atmosfera, e infine ripristinando la depressione. Questo processo deve essere ripetuto fino a quando non è più presente refrigerante all'interno del sistema.

Quando si utilizza la carica di OFN finale, il sistema deve essere sfiatato fino alla pressione atmosferica per l'effettuazione dell'intervento. Questa operazione è assolutamente vitale se devono essere effettuate operazioni di brasatura sulla tubazione. Assicurarsi che l'uscita per la pompa del vuoto permetta l'accesso a tutte le fonti di accensione e che sia disponibile la ventilazione.

11. INFORMAZIONI SULLA MANUTENZIONE

11.16 PROCEDURE DI RICARICA

Oltre alle procedure di ricarica convenzionali, devono essere soddisfatti i seguenti requisiti:

- Assicurarsi che non si verifichi la contaminazione di diversi refrigeranti quando si utilizzano apparecchiature di ricarica. I tubi flessibili o rigidi devono essere il più corti possibili per ridurre al minimo la quantità di refrigerante contenuto in essi.
- Le bombole devono essere mantenute in posizione verticale.
- Assicurarsi che l'impianto di refrigerazione sia collegato a terra prima di immettere refrigerante nell'impianto.
- Apporre etichette sull'impianto quando la carica è completa (se non lo è già).
- Fare attenzione a non riempire eccessivamente l'impianto di refrigerazione.
- Prima di ricaricare l'impianto controllare la pressione con l'OFN. Controllare se ci sono perdite dall'impianto al termine della ricarica, ma prima dell'uso. Effettuare un follow-up del controllo delle perdite

11.17 SMANTELLAMENTO

Prima di eseguire questa procedura, è essenziale che il tecnico conosca a fondo l'attrezzatura e tutti i suoi dettagli. Si raccomanda come buona pratica di recuperare in modo sicuro tutti i refrigeranti. Prima di effettuare l'operazione, prendere un campione di olio e di refrigerante,

in caso sia necessaria un'analisi prima del riutilizzo del refrigerante recuperato. È essenziale che l'alimentazione elettrica sia disponibile prima di iniziare l'operazione.

- a) Acquisire familiarità con l'apparecchiatura e il suo funzionamento.
- b) Isolare il sistema elettricamente
- c) Prima di eseguire la procedura assicurarsi che:
 - siano disponibili le attrezzature di maneggiamento meccanico, se necessario, per maneggiare le bombole di refrigerante;
 - siano disponibili tutte le apparecchiature protettive personali e che siano utilizzate correttamente;
 - il processo di recupero deve essere controllato in ogni momento da una persona competente;
 - l'attrezzatura di recupero e le bombole devono essere conformi alle normative appropriate.
- d) Svuotare l'impianto del refrigerante, se possibile.
- e) Se non è possibile ottenere la depressione, fabbricare un collettore in modo che il refrigerante possa essere rimosso da varie parti dell'impianto.
- f) Assicurarsi che la bombola si trovi sulla bilancia prima che avvenga il recupero.
- g) Avviare la macchina per il recupero e operare secondo le istruzioni del fabbricante.
- h) Non riempire le bombole eccessivamente. (Volume carica liquida non superiore all'80%).
- i) Non superare la pressione massima di esercizio della bombola, anche solo temporaneamente.
- j) Quando i cilindri sono stati riempiti correttamente e la procedura è stata completata, assicurarsi che le bombole e l'attrezzatura vengano rimossi dal sito prontamente e che tutte le valvole di isolamento sull'attrezzatura siano chiuse.
- k) Il refrigerante recuperato non deve essere caricato in un altro impianto di refrigerazione a meno che non sia stato pulito e controllato.

11.18 ETICHETTATURA

Sull'attrezzatura deve essere applicata un'etichetta indicante che l'impianto è stato smantellato e che è privo di refrigerante. L'etichetta deve essere datata e firmata. Assicurarsi che non ci siano etichette sull'attrezzatura che indicano che l'apparecchiatura contiene refrigerante infiammabile.

11. INFORMAZIONI SULLA MANUTENZIONE

11.19 RECUPERO

- Quando si rimuove il refrigerante da un impianto, per la manutenzione o lo smantellamento, si raccomanda come buona pratica di rimuovere tutti i refrigeranti in sicurezza.
- Quando si trasferisce il refrigerante nelle bombole, garantire che vengano utilizzate solo bombole di recupero del refrigerante adeguate. Assicurarsi che siano disponibili i numeri corretti delle bombole per mantenere la carica totale dell'impianto. Tutte le bombole da utilizzare per il refrigerante recuperato devono essere indicate ed etichettate per questo refrigerante (cioè bombole speciali per il recupero del refrigerante). Le bombole devono essere complete delle valvole limitatrici di pressione e delle valvole di intercettazione associate in buone condizioni.
- Le bombole di recupero devono essere svuotate e, se possibile, raffreddate prima che si verifichi il recupero.
- L'apparecchiatura per il recupero deve essere in buone condizioni di lavoro con una serie di istruzioni relative alle attrezzature a portata di mano e adatte al recupero dei refrigeranti infiammabili. Inoltre, deve essere disponibile e in buone condizioni una serie di bilance tarate.
- I tubi flessibili devono essere completi di raccordi di scollegamento privi di perdite e in buone condizioni. Prima di utilizzare la macchina di recupero, verificare che sia in condizioni di funzionamento soddisfacenti, che sia stata sottoposta alla manutenzione adeguata e che eventuali componenti elettrici associati siano sigillati per evitare l'accensione in caso di rilascio di refrigerante. Consultare il fabbricante in caso di dubbi.
- Il refrigerante recuperato dovrà essere restituito al fornitore di refrigerante nella bombola di recupero corretta, e dovrà essere redatta la relativa Nota di trasferimento dei rifiuti. Non mescolare i refrigeranti nelle unità di recupero e soprattutto non nelle bombole.
- Se è necessario rimuovere compressori o oli per compressori, assicurarsi che siano stati svuotati ad un livello accettabile per accertarsi che il refrigerante infiammabile non rimanga all'interno del lubrificante. Il processo di evacuazione deve essere effettuato prima di restituire il compressore ai fornitori. Per accelerare questo processo, utilizzare solo il riscaldamento elettrico sul corpo del compressore. Lo scarico dell'olio da un impianto deve essere eseguito con particolare attenzione.

11.20 TRASPORTO, MARCATURA E STOCCAGGIO PER UNITÀ

1. Trasporto di apparecchiature contenenti refrigeranti infiammabili
Conformità con le normative sui trasporti
2. Marcatura delle apparecchiature che utilizzano segnali
Conformità con le normative locali
3. Smaltimento delle apparecchiature che utilizzano refrigeranti infiammabili
Conformità con le normative nazionali
4. Stoccaggio di attrezzature/apparecchiature
Lo stoccaggio delle attrezzature deve essere in accordo con le istruzioni del fabbricante.
5. Stoccaggio di attrezzature imballate (invendute)
Deve essere fabbricata una protezione dell'imballaggio di stoccaggio in modo tale che i danni meccanici alle apparecchiature all'interno dell'imballaggio non causino una perdita della carica di refrigerante.
Il numero massimo permesso di apparecchiature conservate insieme sarà determinato dalle normative locali.



Turn to the experts

Carrier is committed for continuous improvement of Carrier products according to national and international standards to ensure the highest quality and reliability standards, and to meet market regulations and requirements. All specifications subject to change without prior notice according to Carrier policy of continuous development

BEIJER REF AB

Stortorget 8

Malmö

Sweden