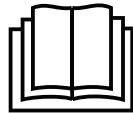




Turn to the experts

WALL MOUNTED AIR CONDITIONER INSTALLATION MANUAL

GB	<u>INSTALLATION MANUAL</u> ENGLISH	DA	<u>INSTALLATIONSVEJLEDNING</u> DANSK
DE	<u>INSTALLATIONSHANDBUCH</u> DEUTSCH	ET	<u>PAIGALDUSJUHEND</u> ESTS
ES	<u>MANUAL DE INSTALACIÓN</u> ESPAÑOL	LT	<u>MONTAVIMO VADOVAS</u> LIETUVOS
FR	<u>MANUEL D'INSTALLATION</u> FRANÇAIS	LV	<u>UZSTĀDĪŠANAS ROKASGRĀMATA</u> LATVIJAS
IT	<u>MANUALE DI INSTALLAZIONE</u> ITALIANO	NO	<u>INSTALLASJONSVEILEDNING</u> NORSK
NL	<u>INSTALLATIEHANDLEIDING</u> NEDERLANDS	SV	<u>MONTERINGSHANDBOK</u> SVENSKA
PL	<u>INSTRUKCJA MONTAŻU</u> POLSKI	PT	<u>MANUAL DE INSTALAÇÃO</u> PORTUGUÊS



IMPORTANT NOTE:

Read this manual carefully before installing or operating your new air conditioning unit.

Make sure to save this manual for future reference.

Please check the applicable models, F-GAS and manufacturer information from the "Owner's Manual - Product Fiche" in the packaging of the outdoor unit.

For German/Dutch/Poland/Denmark/Estonia/Lithuania/Latvia/Norway/Sweden/Portuguese languages, please visit the website: www.beijerref-carrier.com

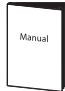


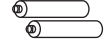

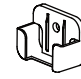





Installation Manual

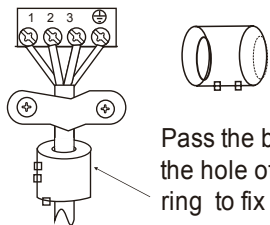
Accessories.....	17
Installation Summary - Indoor Unit	18
Unit Parts.....	19
Indoor Unit Installation.....	20
1. Select installation location.....	20
2. Attach mounting plate to wall.....	20
3. Drill wall hole for connective piping.....	21
4. Prepare refrigerant piping.....	22
5. Connect drain hose.....	24
6. Connect signal and power cables.....	25
7. Wrap piping and cables.....	26
8. Mount indoor unit.....	27
Outdoor Unit Installation.....	27
1. Select installation location.....	27
2. Install drain joint.....	28
3. Anchor outdoor unit.....	28
4. Connect signal and power cables.....	30
Refrigerant Piping Connection.....	31
A. Note on Pipe Length.....	31
B. Connection Instructions –Refrigerant Piping.....	31
1. Cut pipe.....	31
2. Remove burrs.....	32
3. Flare pipe ends.....	32
4. Connect pipes.....	32
Air Evacuation.....	34
1. Evacuation Instructions.....	34
2. Note on Adding Refrigerant.....	35
Electrical and Gas Leak Checks.....	36
Test Run.....	37
Packing and unpacking the unit	38

Indoor Unit	Outdoor Unit	Rated Voltage & Hz
42QHE009D8SH	38QHE009D8SH	220-240V~ 50/60Hz
42QHE012D8SH	38QHE012D8SH	
42QHE018D8SH	38QHE018D8SH	
42QHE024D8SH	38QHE024D8SH	

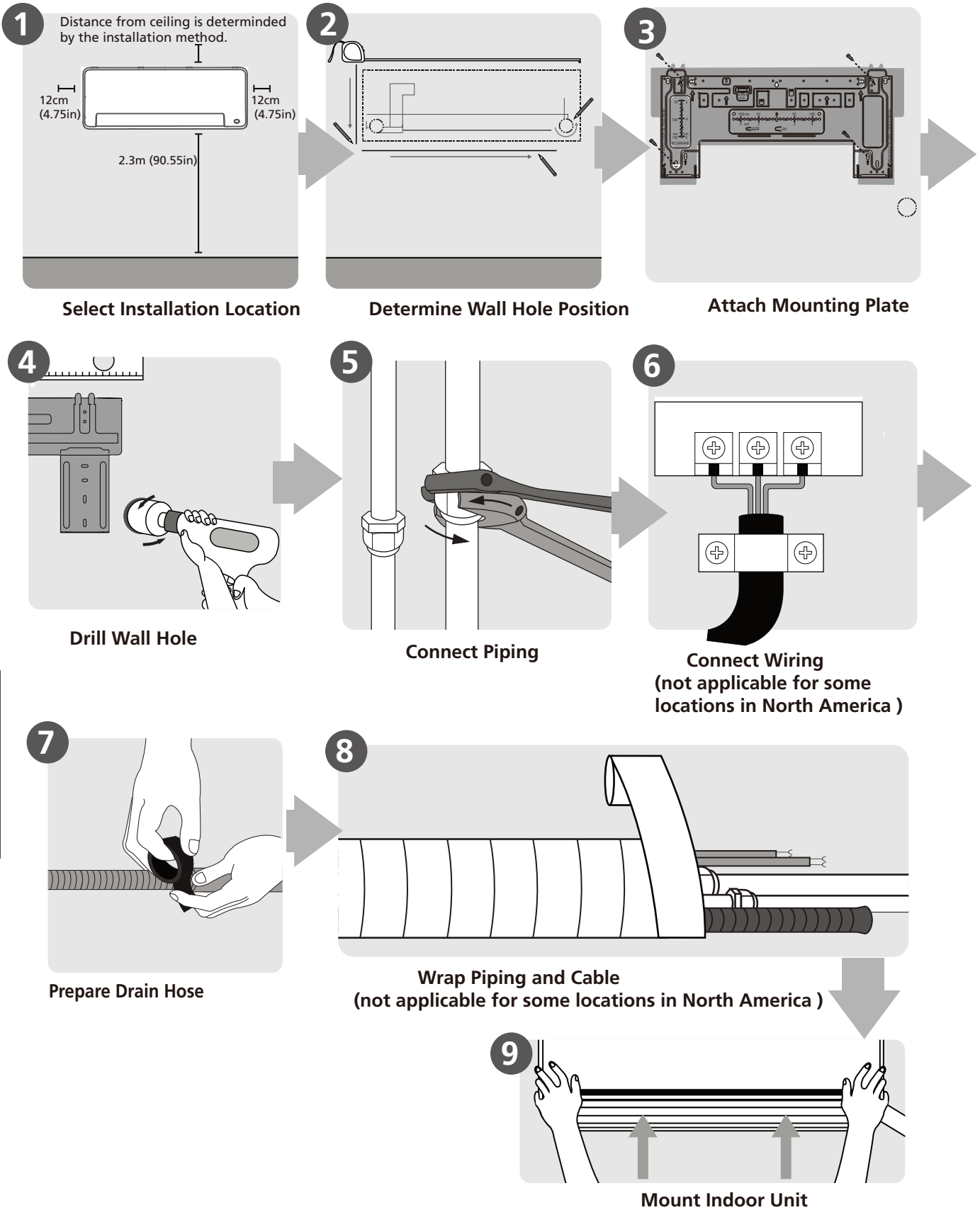
Accessories

The air conditioning system comes with the following accessories. Use all of the installation parts and accessories to install the air conditioner. Improper installation may result in water leakage, electrical shock and fire, or cause the equipment to fail. The items are not included with the air conditioner must be purchased separately.

Name of Accessories	Q'ty(pc)	Shape	Name of Accessories	Q'ty(pc)	Shape
Manual	2-3		Remote controller	1	
Drain joint (for cooling & heating models)	1		Battery	2	
Seal (for cooling & heating models)	1		Remote controller holder(optional)	1	
Mounting plate	1		Fixing screw for remote controller holder(optional)	2	
Anchor	5~8 (depending on models)		Small Filter (Need to be installed on the back of main air filter by the authorized technician while installing the machine)	1~2 (depending on models)	
Mounting plate fixing screw	5~8 (depending on models)				

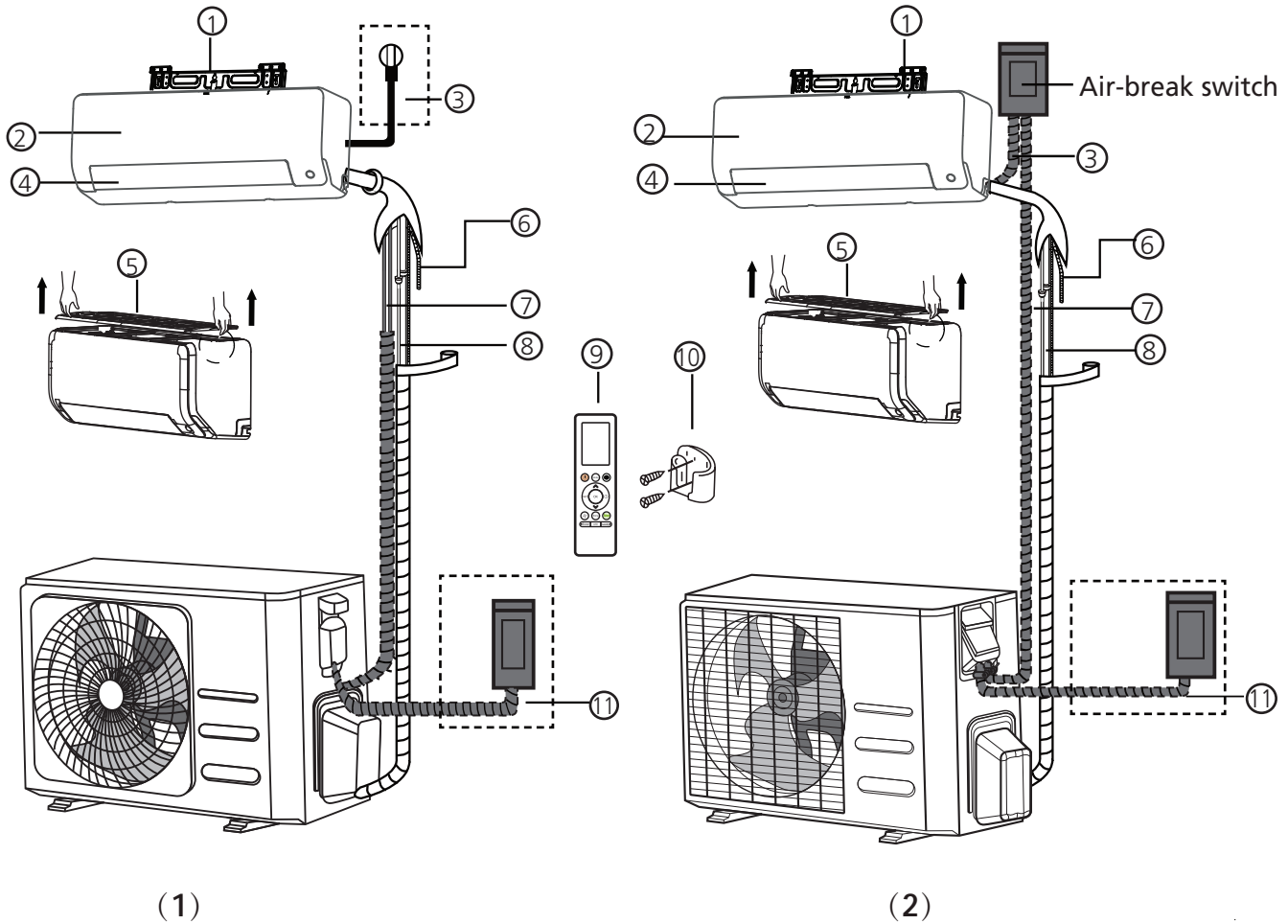
Name	Shape	Quantity(PC)	
Connecting pipe assembly	Liquid side	Φ 6.35(1/4in)	Parts you must purchase separately. Consult the dealer about the proper pipe size of the unit you purchased.
		Φ 9.52(3/8in)	
	Gas side	Φ 9.52(3/8in)	
		Φ 12.7(1/2in)	
		Φ 16(5/8in)	
Magnetic ring and belt (if supplied ,please refer to the wiring diagram to install it on the connective cable.)	 <p>Pass the belt through the hole of the Magnetic ring to fix it on the cable</p>	Varies by model	

Installation Summary - Indoor Unit



Unit Parts

NOTE: The installation must be performed in accordance with the requirement of local and national standards. The installation may be slightly different in different areas.



- | | | |
|----------------------------|---------------------------|---|
| ① Wall Mounting Plate | ⑤ Air filter(pull it out) | ⑨ Remote Controller |
| ② Front Panel | ⑥ Drainage Pipe | ⑩ Remote Controller Holder (Some Units) |
| ③ Power Cable (Some Units) | ⑦ Signal Cable | ⑪ Outdoor Unit Power Cable (Some Units) |
| ④ Louver | ⑧ Refrigerant Piping | |

NOTE ON ILLUSTRATIONS

Illustrations in this manual are for explanatory purposes. The actual shape of your indoor unit may be slightly different. The actual shape shall prevail.

Indoor Unit Installation

Installation Instructions – Indoor unit

PRIOR TO INSTALLATION

Before installing the indoor unit, refer to the label on the product box to make sure that the model number of the indoor unit matches the model number of the outdoor unit.

Step 1: Select installation location

Before installing the indoor unit, you must choose an appropriate location. The following are standards that will help you choose an appropriate location for the unit.

Proper installation locations meet the following standards:

- ☑ Good air circulation
- ☑ Convenient drainage
- ☑ Noise from the unit will not disturb other people
- ☑ Firm and solid—the location will not vibrate
- ☑ Strong enough to support the weight of the unit
- ☑ A location at least one meter from all other electrical devices (e.g., TV, radio, computer)

DO NOT install unit in the following locations:

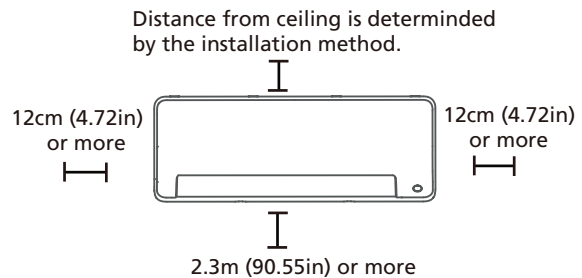
- ⊘ Near any source of heat, steam, or combustible gas
- ⊘ Near flammable items such as curtains or clothing
- ⊘ Near any obstacle that might block air circulation
- ⊘ Near the doorway
- ⊘ In a location subject to direct sunlight

NOTE ABOUT WALL HOLE:

If there is no fixed refrigerant piping:

While choosing a location, be aware that you should leave ample room for a wall hole (see **Drill wall hole for connective piping** step) for the signal cable and refrigerant piping that connect the indoor and outdoor units. The default position for all piping is the right side of the indoor unit (while facing the unit). However, the unit can accommodate piping to both the left and right.

Refer to the following diagram to ensure proper distance from walls and ceiling:



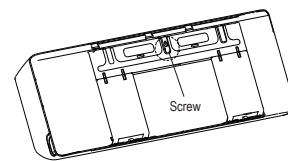
NOTE:

- **If no need the back holder to prop up the unit:**
Finishing the pipe and cable connections before mount the indoor unit on the wall. If the installation height is limited, 5cm from the ceiling is allowable, but this can lower product performance. To ensure enough space to install and remove the top air filter, keep at least 10cm or more from the ceiling.
- **Need the back holder to prop up the unit:**
If connecting pipe and cable with front panel open, the minimum distance from ceiling is 22cm or more, if connecting pipe and cable without front panel(remove it), the minimum distance from ceiling is 11cm or more.

Step 2: Attach mounting plate to wall

The mounting plate is the device on which you will mount the indoor unit.

- Remove the screw that attaches the mounting plate to the back of the indoor unit.



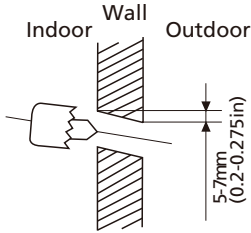
- Secure the mounting plate to the wall with the screws provided. Make sure that mounting plate is flat against the wall.

NOTE FOR CONCRETE OR BRICK WALLS:

If the wall is made of brick, concrete, or similar material, drill 5mm-diameter (0.2in-diameter) holes in the wall and insert the sleeve anchors provided. Then secure the mounting plate to the wall by tightening the screws directly into the clip anchors.

Step 3: Drill wall hole for connective piping

1. Determine the location of the wall hole based on the position of the mounting plate. Refer to **Mounting Plate Dimensions**.
2. Using a 65mm (2.5in) or 90mm(3.54in) (depending on models)core drill, drill a hole in the wall. Make sure that the hole is drilled at a slight downward angle, so that the outdoor end of the hole is lower than the indoor end by about 5mm to 7mm (0.2-0.275in). This will ensure proper water drainage.



NOTE: When the gas side connective pipe is Φ 16mm(5/8in) or more, the wall hole should be 90mm(3.54in).

3. Place the protective wall cuff in the hole. This protects the edges of the hole and will help seal it when you finish the installation process.

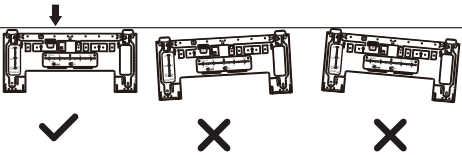
CAUTION

When drilling the wall hole, make sure to avoid wires, plumbing, and other sensitive components.

MOUNTING PLATE DIMENSIONS

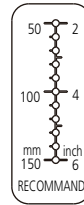
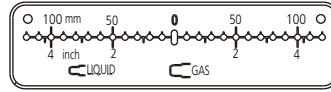
Different models have different mounting plates. For the convenience of installation, there are bubble level, carved dimensions on the mounting plate. Please install the plate and drill wall hole according to the information of the mounting plate. See the figures below.

Correct orientation of Mounting Plate



Unit: mm(inch)

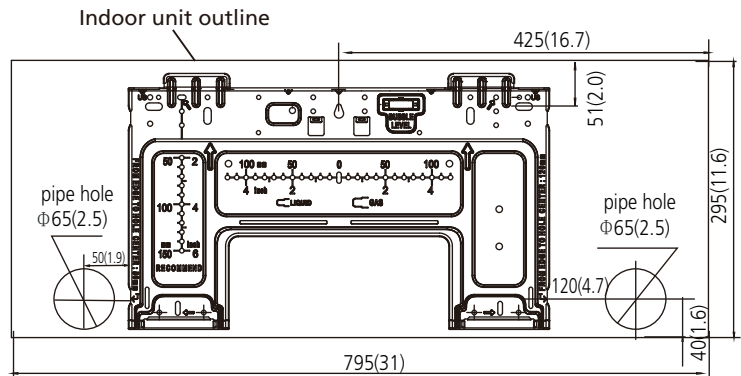
Horizontal direction ruler



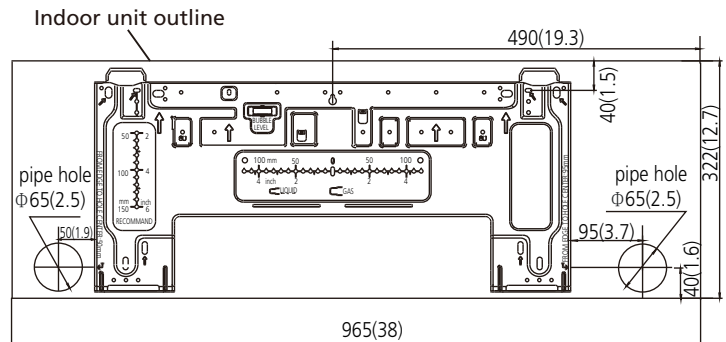
Vertical direction ruler



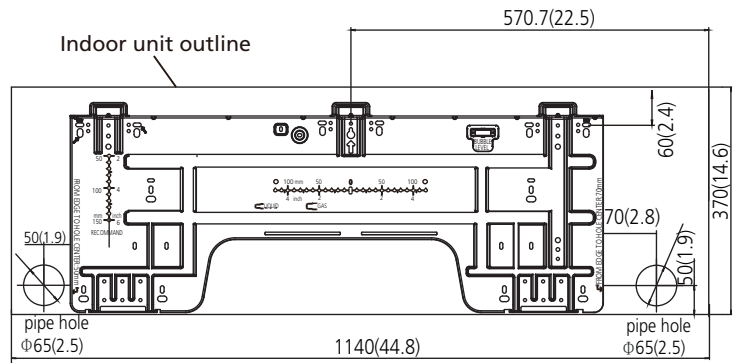
CAUTION: The Bubble level on the mounting plate can't be removed. If it is broken, make sure to clean up the leaking liquid.



Model A



Model B



Model C

Step 4: Prepare refrigerant piping

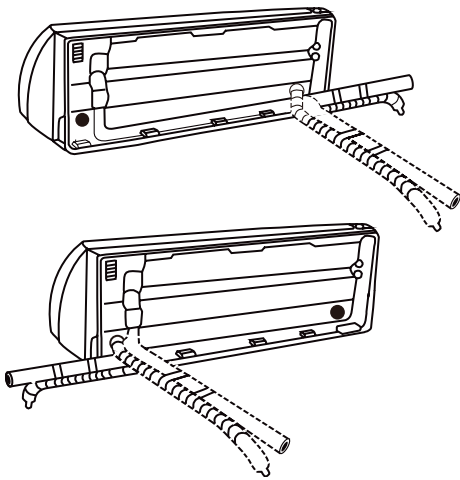
The refrigerant piping is inside an insulating sleeve attached to the back of the unit. You must prepare the piping before passing it through the hole in the wall. Refer to the **Refrigerant Piping Connection** section of this manual for detailed instructions on pipe flaring and flare torque requirements, technique, etc.

NOTE ON PIPING ANGLE

Refrigerant piping can exit the indoor unit from four different angles:

- Left-hand side
- Left rear
- Right-hand side
- Right rear

Refer to **figures below** for details.



NOTE ON PIPING CONNECTING

- In some locations of US, a conduit tube must be used to connect the cable. To ensure an enough space for the pipes running and the machine is against the wall after installation, It is recommended to attach the drain hose to the right-hand side (when you're facing the back of the unit).
- When choose Left-hand side or Right-hand side piping, please make sure that the pipes come out horizontally so as not to affect the lower panel installtion.

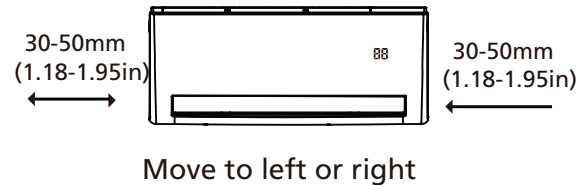
⚠ CAUTION

Be extremely careful not to dent or damage the piping while bending them away from the unit. Any dents in the piping will affect the unit's performance.

If refrigerant piping is already embedded in the wall, do the following:

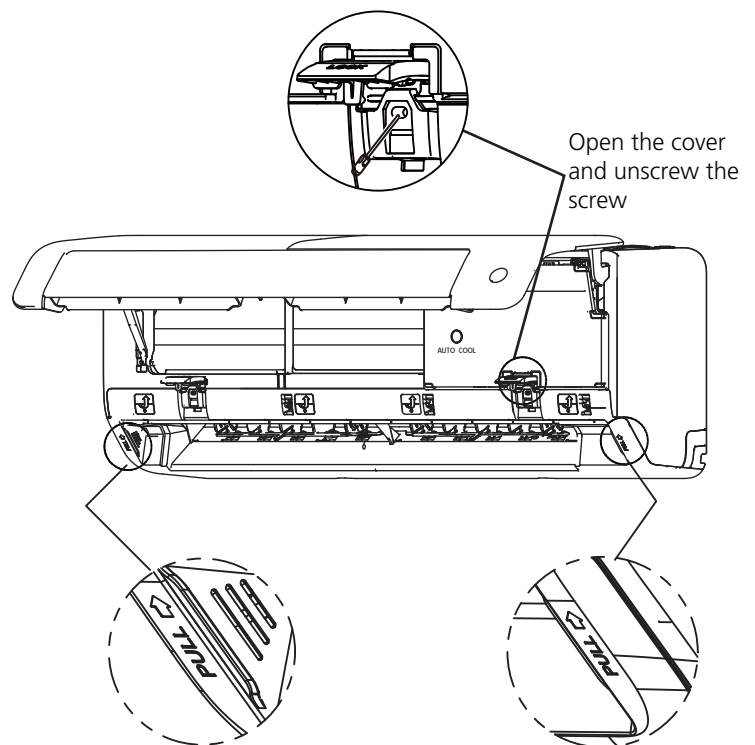
Step 1: Hook the indoor unit on the mounting plate:

1. Keep in mind that the hooks on the mounting plate are smaller than the holes on the back of the unit. If you find that you don't have ample room to connect embedded pipes to the indoor unit, the unit can be adjusted left or right by about 30-50mm (1.18-1.95in), depending on the model.

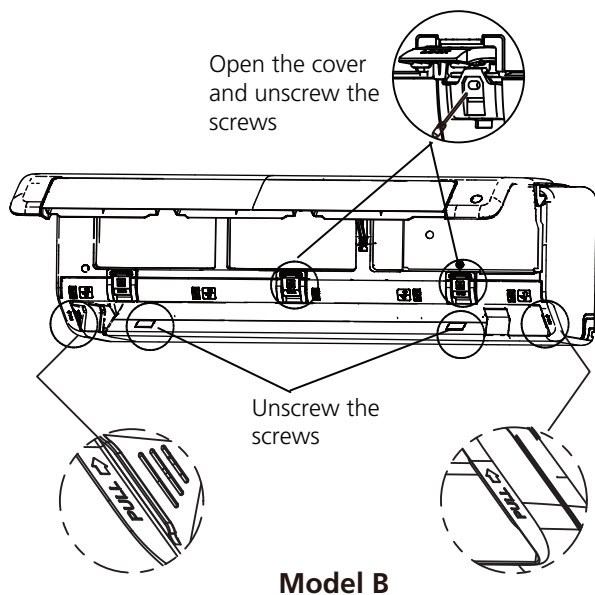


Step 2: Prepare refrigerant piping:

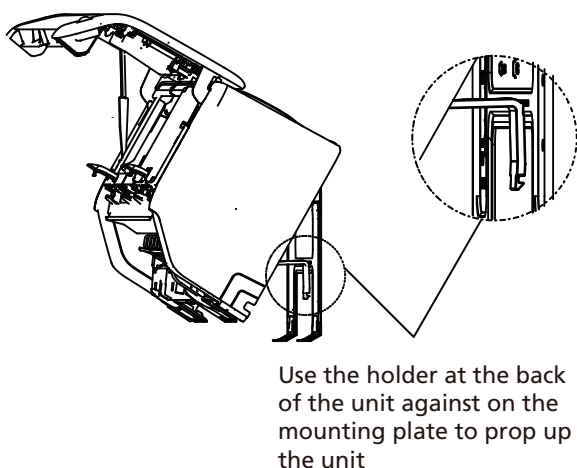
1. Open and fix the position of the panel, then, open the covers of the two lock blocks, unscrew the screw showed in the picture below, then hold both sides of the lower panel in the place marked "PULL", pull it upwards to release the buckles, then take the lower panel down.



Model A



2. Use the holder at the back of the unit to prop up the unit, giving you enough room to connect the refrigerant piping, signal cable, and drain hose.



Step 3. Connect drain hose and refrigerant piping (refer to **Refrigerant Piping Connection** section of this manual for instructions).

Step 4. Keep pipe connection point exposed to perform the leak test (refer to **Electrical Checks and Leak Checks** section of this manual).

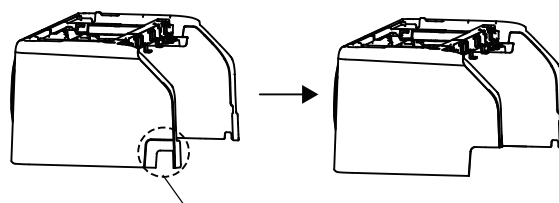
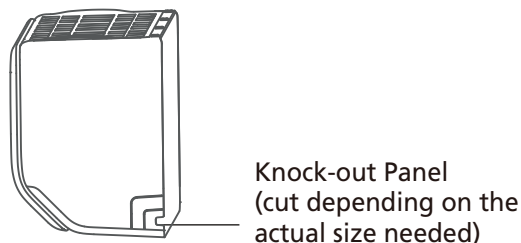
Step 5. After the leak test, wrap the connection point with insulation tape.

Step 6. Remove the bracket or wedge that is propping with insulation tape.

Step 7. Using even pressure, push down on the bottom half of the unit. Keep pushing down until the unit snaps onto the hooks along the bottom of the mounting plate.

If there is no refrigerant piping embedded in the wall, do the following:

1. Based on the position of the wall hole relative to the mounting plate, choose the side from which the piping will exit the unit.
2. If the wall hole is behind the unit, keep the knock-out panel in place. If the wall hole is to the side of the indoor unit, remove the plastic knock-out panel from that side of the unit. (See figure below). This will create a slot through which your piping can exit the unit. Use needle nose pliers if the plastic panel is too difficult to remove by hand.



3. Use scissors to cut down the length of the insulating sleeve to reveal about 40mm (1.57in) of the refrigerant piping. This serves two purposes:
 - To facilitate the **Refrigerant Piping Connection** process.
 - To facilitate **Gas Leak Checks** and enable you to check for dents
4. Use the holder at the back of the unit to prop up the unit, giving you enough room to connect the refrigerant piping, signal cable, and drain hose.
5. Connect the indoor unit's refrigerant piping to the connective piping that will join the indoor and outdoor units. Refer to the **Refrigerant Piping Connection** section of this manual for detailed instructions.
6. Based on the position of the wall hole relative to the mounting plate, determine the necessary angle of your piping.
7. Grip the refrigerant piping at the base of the bend.
8. Slowly, with even pressure, bend the piping towards the hole. **Do not** dent or damage the piping during the process.

Step 5: Connect drain hose

By default, the drain hose is attached to the left-hand side of unit (when you're facing the back of the unit). However, it can also be attached to the right-hand side. To ensure proper drainage, attach the drain hose on the same side that your refrigerant piping exits the unit.

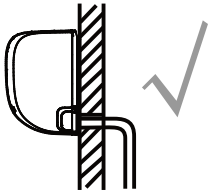
NOTE: In some locations of US, if the machine has installed the conduit panel, please choose right-hand side drainage.

- Wrap the connection point firmly with Teflon tape to ensure a good seal and to prevent leaks.
- Remove the air filter and pour a small amount of water into the drain pan to make sure that water flows from the unit smoothly.

! NOTE ON DRAIN HOSE PLACEMENT

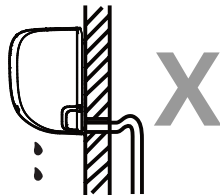
Make sure to arrange the drain hose according to the following figures.

- ⊘ **DO NOT** kink the drain hose.
- ⊘ **DO NOT** create a water trap.
- ⊘ **DO NOT** put the end of drain hose in water or a container that will collect water.



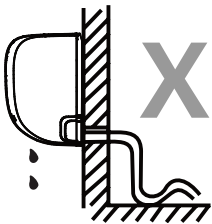
CORRECT

Make sure there are no kinks or dent in drain hose to ensure proper drainage.



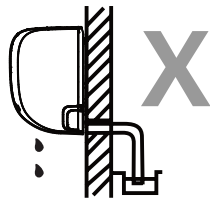
NOT CORRECT

Kinks in the drain hose will create water traps.



NOT CORRECT

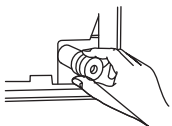
Kinks in the drain hose will create water traps.



NOT CORRECT

Do not place the end of the drain hose in water or in containers that collect water. This will prevent proper drainage.

PLUG THE UNUSED DRAIN HOLE



To prevent unwanted leaks you must plug the unused drain hole with the rubber plug provided.

! BEFORE PERFORMING ANY ELECTRICAL WORK, READ THESE REGULATIONS

1. All wiring must comply with local and national electrical codes, regulations and must be installed by a licensed electrician.
2. All electrical connections must be made according to the Electrical Connection Diagram located on the panels of the indoor and outdoor units.
3. If there is a serious safety issue with the power supply, stop work immediately. Explain your reasoning to the client, and refuse to install the unit until the safety issue is properly resolved.
4. Power voltage should be within 90-110% of rated voltage. Insufficient power supply can cause malfunction, electrical shock, or fire.
5. If connecting power to fixed wiring, a surge protector and main power switch should be installed.
6. If connecting power to fixed wiring, a switch or circuit breaker that disconnects all poles and has a contact separation of at least 1/8in (3mm) must be incorporated in the fixed wiring. The qualified technician must use an approved circuit breaker or switch.
7. Only connect the unit to an individual branch circuit outlet. Do not connect another appliance to that outlet.
8. Make sure to properly ground the air conditioner.
9. Every wire must be firmly connected. Loose wiring can cause the terminal to overheat, resulting in product malfunction and possible fire.
10. Do not let wires touch or rest against refrigerant tubing, the compressor, or any moving parts within the unit.
11. If the unit has an auxiliary electric heater, it must be installed at least 1 meter (40in) away from any combustible materials.
12. To avoid getting an electric shock, never touch the electrical components soon after the power supply has been turned off. After turning off the power, always wait 10 minutes or more before you touch the electrical components.

! WARNING

BEFORE PERFORMING ANY ELECTRICAL OR WIRING WORK, TURN OFF THE MAIN POWER TO THE SYSTEM.

Step 6: Connect signal and power cables

The signal cable enables communication between the indoor and outdoor units. You must first choose the right cable size before preparing it for connection.

Cable Types

- **Indoor Power Cable** (if applicable): H05VV-F or H05V2V2-F
- **Outdoor Power Cable:** H07RN-F or H05RN-F
- **Signal Cable:** H07RN-F

NOTE: In North America, choose the cable type according to the local electrical codes and regulations.

Minimum Cross-Sectional Area of Power and Signal Cables (For reference) (Not applicable for North America)

Rated Current of Appliance (A)	Nominal Cross-Sectional Area (mm ²)
> 3 and ≤ 6	0.75
> 6 and ≤ 10	1
> 10 and ≤ 16	1.5
> 16 and ≤ 25	2.5
> 25 and ≤ 32	4
> 32 and ≤ 40	6

CHOOSE THE RIGHT CABLE SIZE

The size of the power supply cable, signal cable, fuse, and switch needed is determined by the maximum current of the unit. The maximum current is indicated on the nameplate located on the side panel of the unit. Refer to this nameplate to choose the right cable, fuse, or switch.

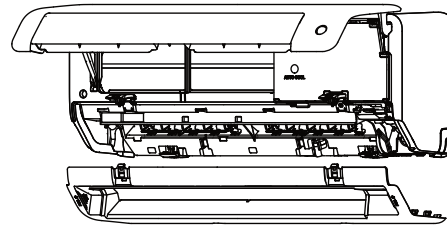
NOTE: In North America, please choose the right cable size according to the Minimum Circuit Ampacity indicated on the nameplate of the unit.

1. Open and fix the position of the panel, then, open the covers of the two lock blocks, unscrew the screw, then hold both sides of the lower panel in the place marked "PULL", pull it upwards to release the buckles, then take the lower panel down (please refer to Page 22-23).
2. Open the wire box cover to connect the cable.
3. Unscrew the cable clamp below the terminal block and place it to the side.
4. Facing the back of the unit, remove the plastic panel on the bottom left-hand side.

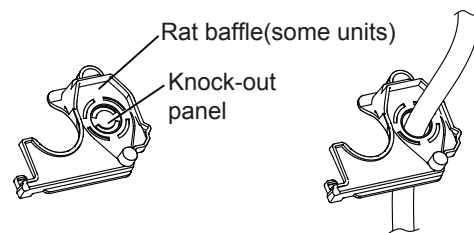
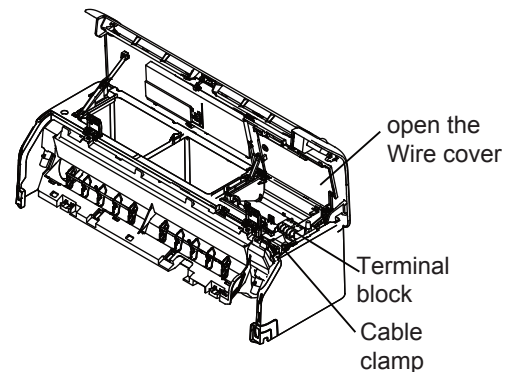
⚠ WARNING

ALL WIRING MUST BE PERFORMED STRICTLY IN ACCORDANCE WITH THE WIRING DIAGRAM LOCATED ON THE BACK OF THE INDOOR UNIT'S FRONT PANEL .

5. Feed the signal wire through this slot, from the back of the unit to the front.
6. Facing the front of the unit, connect the wire according to the indoor unit's wiring diagram, connect the u-lug and firmly screw each wire to its corresponding terminal.



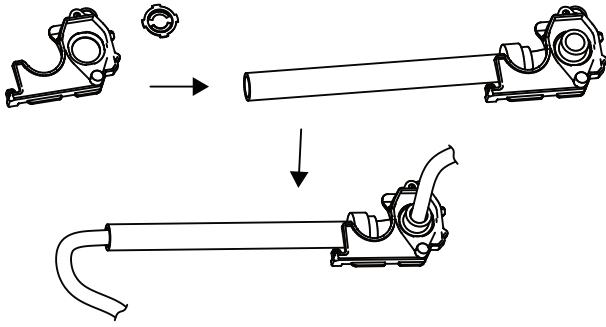
First open the front panel, then remove the lower panel.



NOTE: If the size of the cable is too big, remove the middle small plastic knock-out panel to create a slot through which the cable can exit. If you want to remove the chassis or drain hose, please remove the rat baffle first.

In North America

First remove the knock-out panel to create a slot through which the conduit tube can install. Then make the cable through the conduit tube and connect to the indoor unit.



⚠ CAUTION

DO NOT MIX UP LIVE AND NULL WIRES

This is dangerous, and can cause the air conditioning unit to malfunction.

7. After checking to make sure every connection is secure, use the cable clamp to fasten the signal cable to the unit. Screw the cable clamp down tightly.
8. Replace the wire cover on the front of the unit, and the plastic panel on the back.

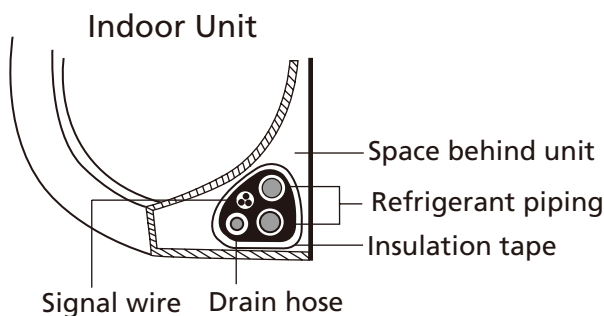
! NOTE ABOUT WIRING

THE WIRING CONNECTION PROCESS MAY DIFFER SLIGHTLY BETWEEN UNITS AND REGIONS.

Step 7: Wrapping and cables

Before passing the piping, drain hose, and the signal cable through the wall hole, you must bundle them together to save space, protect them, and insulate them (This may not be applicable for some locations in US).

1. Bundle the drain hose, refrigerant pipes, and signal cable as shown below:



DRAIN HOSE MUST BE ON BOTTOM

Make sure that the drain hose is at the bottom of the bundle. Putting the drain hose at the top of the bundle can cause the drain pan to overflow, which can lead to fire or water damage.

DO NOT INTERTWINE SIGNAL CABLE WITH OTHER WIRES

While bundling these items together, do not intertwine or cross the signal cable with any other wiring.

2. Using adhesive vinyl tape, attach the drain hose to the underside of the refrigerant pipes.
3. Using insulation tape, wrap the signal wire, refrigerant pipes, and drain hose tightly together. Double-check that all items are bundled.

DO NOT WRAP ENDS OF PIPING

When wrapping the bundle, keep the ends of the piping unwrapped. You need to access them to test for leaks at the end of the installation process (refer to **Electrical Checks and Leak Checks** section of this manual)

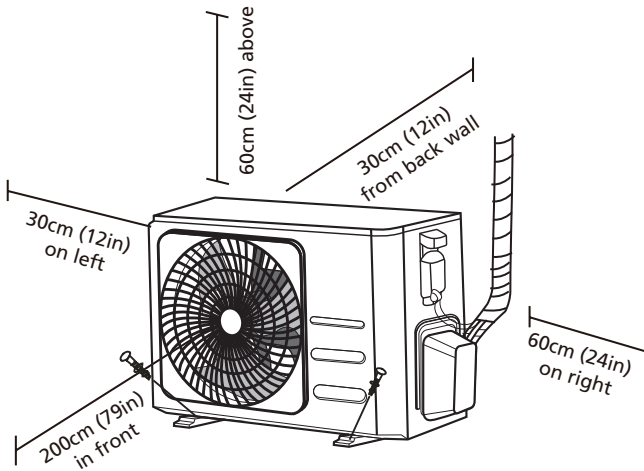
Step 8: Mount indoor unit

If you installed new connective piping to the outdoor unit, do the following:

1. If you have already passed the refrigerant piping through the hole in the wall, proceed to Step 4.
2. Otherwise, double-check that the ends of the refrigerant pipes are sealed to prevent dirt or foreign materials from entering the pipes.
3. Slowly pass the wrapped bundle of refrigerant pipes, drain hose, and signal wire through the hole in the wall.
4. Hook the top of the indoor unit on the upper hook of the mounting plate.
5. Check that unit is hooked firmly on mounting by applying slight pressure to the left and right-hand sides of the unit. The unit should not jiggle or shift.
6. Using even pressure, push down on the bottom half of the unit. Keep pushing down until the unit snaps onto the hooks along the bottom of the mounting plate.
7. Again, check that the unit is firmly mounted by applying slight pressure to the left and the right-hand sides of the unit.

Outdoor Unit Installation

Install the unit by following local codes and regulations, there may be differ slightly between different regions.



Installation Instructions – Outdoor unit

Step 1: Select installation location

Before installing the outdoor unit, you must choose an appropriate location. The following are standards that will help you choose an appropriate location for the unit.

Proper installation locations meet the following standards:

- Meets all spatial requirements shown in Installation Space Requirements above.
- Good air circulation and ventilation
- Firm and solid—the location can support the unit and will not vibrate
- Noise from the unit will not disturb others
- Protected from prolonged periods of direct sunlight or rain
- Where snowfall is anticipated, take appropriate measures to prevent ice buildup and coil damage.

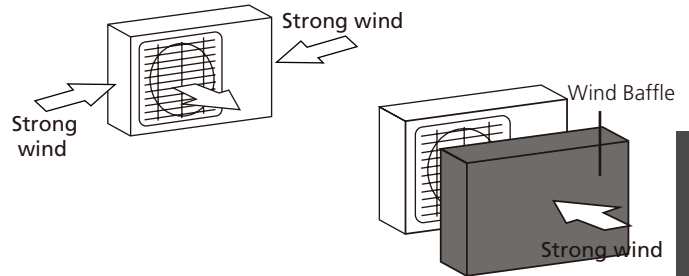
DO NOT install unit in the following locations:

- ⊘ Near an obstacle that will block air inlets and outlets
- ⊘ Near a public street, crowded areas, or where noise from the unit will disturb others
- ⊘ Near animals or plants that will be harmed by hot air discharge
- ⊘ Near any source of combustible gas
- ⊘ In a location that is exposed to large amounts of dust
- ⊘ In a location exposed to a excessive amounts of salty air

SPECIAL CONSIDERATIONS FOR EXTREME WEATHER

If the unit is exposed to heavy wind:

Install unit so that air outlet fan is at a 90° angle to the direction of the wind. If needed, build a barrier in front of the unit to protect it from extremely heavy winds. See Figures below.



If the unit is frequently exposed to heavy rain or snow:

Build a shelter above the unit to protect it from the rain or snow. Be careful not to obstruct air flow around the unit.

If the unit is frequently exposed to salty air (seaside):

Use outdoor unit that is specially designed to resist corrosion.

Step 2: Install drain joint(Heat pump unit only)

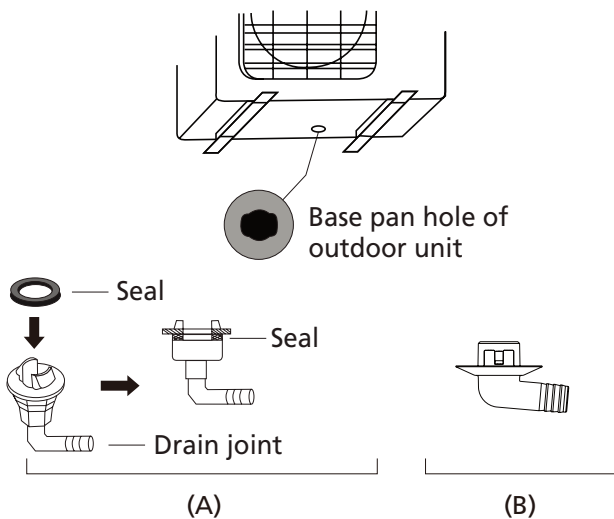
Before bolting the outdoor unit in place, you must install the drain joint at the bottom of the unit. Note that there are two different types of drain joints depending on the type of outdoor unit.

If the drain joint comes with a rubber seal (see Fig. A), do the following:

1. Fit the rubber seal on the end of the drain joint that will connect to the outdoor unit.
2. Insert the drain joint into the hole in the base pan of the unit.
3. Rotate the drain joint 90° until it clicks in place facing the front of the unit.
4. Connect a drain hose extension (not included) to the drain joint to redirect water from the unit during heating mode.

If the drain joint doesn't come with a rubber seal (see Fig. B), do the following:

1. Insert the drain joint into the hole in the base pan of the unit. The drain joint will click in place.
2. Connect a drain hose extension (not included) to the drain joint to redirect water from the unit during heating mode.

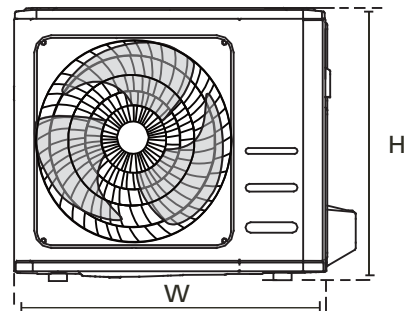
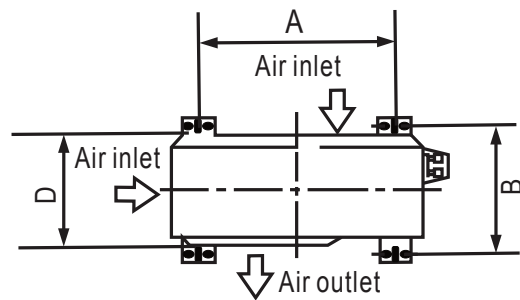


Step 3: Anchor outdoor unit

The outdoor unit can be anchored to the ground or to a wall-mounted bracket with bolt(M10). Prepare the installation base of the unit according to the dimensions below.

UNIT MOUNTING DIMENSIONS

The following is a list of different outdoor unit sizes and the distance between their mounting feet. Prepare the installation base of the unit according to the dimensions below.



! IN COLD CLIMATES

In cold climates, make sure that the drain hose is as vertical as possible to ensure swift water drainage. If water drains too slowly, it can freeze in the hose and flood the unit.

Outdoor Unit Dimensions (mm)	Mounting Dimensions	
	W x H x D	Distance A (mm)
681x434x285 (26.8" x 17.1" x 11.2")	460 (18.1")	292 (11.5")
700x550x270 (27.5" x 21.6" x 10.6")	450 (17.7")	260 (10.2")
700x550x275 (27.5" x 21.6" x 10.8")	450 (17.7")	260 (10.2")
720x495x270 (28.3" x 19.5" x 10.6")	452 (17.8")	255 (10.0")
728x555x300 (28.7" x 21.8" x 11.8")	452 (17.8")	302(11.9")
765x555x303 (30.1" x 21.8" x 11.9")	452 (17.8")	286(11.3")
770x555x300 (30.3" x 21.8" x 11.8")	487 (19.2")	298 (11.7")
805x554x330 (31.7" x 21.8" x 12.9")	511 (20.1")	317 (12.5")
800x554x333 (31.5" x 21.8" x 13.1")	514 (20.2")	340 (13.4")
845x702x363 (33.3" x 27.6" x 14.3")	540 (21.3")	350 (13.8")
890x673x342 (35.0" x 26.5" x 13.5")	663 (26.1")	354 (13.9")
946x810x420 (37.2" x 31.9" x 16.5")	673 (26.5")	403 (15.9")
946x810x410 (37.2" x 31.9" x 16.1")	673 (26.5")	403 (15.9")

If you will install the unit on the ground or on a concrete mounting platform, do the following:

1. Mark the positions for four expansion bolts based on dimensions chart.
2. Pre-drill holes for expansion bolts.
3. Place a nut on the end of each expansion bolt.
4. Hammer expansion bolts into the pre-drilled holes.
5. Remove the nuts from expansion bolts, and place outdoor unit on bolts.
6. Put washer on each expansion bolt, then replace the nuts.
7. Using a wrench, tighten each nut until snug.



WARNING

WHEN DRILLING INTO CONCRETE, EYE PROTECTION IS RECOMMENDED AT ALL TIMES.

If you will install the unit on a wall-mounted bracket, do the following:



CAUTION

Make sure that the wall is made of solid brick, concrete, or of similarly strong material. **The wall must be able to support at least four times the weight of the unit.**

1. Mark the position of bracket holes based on dimensions chart.
2. Pre-drill the holes for the expansion bolts.
3. Place a washer and nut on the end of each expansion bolt.
4. Thread expansion bolts through holes in mounting brackets, put mounting brackets in position, and hammer expansion bolts into the wall.
5. Check that the mounting brackets are level.
6. Carefully lift unit and place its mounting feet on brackets.
7. Bolt the unit firmly to the brackets.
8. If allowed, install the unit with rubber gaskets to reduce vibrations and noise.

Step 4: Connect signal and power cables

The outside unit's terminal block is protected by an electrical wiring cover on the side of the unit. A comprehensive wiring diagram is printed on the inside of the wiring cover.

WARNING

BEFORE PERFORMING ANY ELECTRICAL OR WIRING WORK, TURN OFF THE MAIN POWER TO THE SYSTEM.

1. Prepare the cable for connection:

USE THE RIGHT CABLE

Please choose the right cable refer to "Cable types" in page 25.

CHOOSE THE RIGHT CABLE SIZE

The size of the power supply cable, signal cable, fuse, and switch needed is determined by the maximum current of the unit. The maximum current is indicated on the nameplate located on the side panel of the unit.

NOTE: In North America, please choose the right cable size according to the Minimum Circuit Ampacity indicated on the nameplate of the unit.

- Using wire strippers, strip the rubber jacket from both ends of cable to reveal about 40mm (1.57in) of the wires inside.
- Strip the insulation from the ends of the wires.
- Using a wire crimper, crimp u-lugs on the ends of the wires.

PAY ATTENTION TO LIVE WIRE

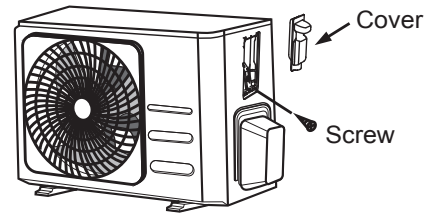
While crimping wires, make sure you clearly distinguish the Live ("L") Wire from other wires.

WARNING

ALL WIRING WORK MUST BE PERFORMED STRICTLY IN ACCORDANCE WITH THE WIRING DIAGRAM LOCATED INSIDE OF WIRE COVER OF THE OUTDOOR UNIT .

- Unscrew the electrical wiring cover and remove it.
- Unscrew the cable clamp below the terminal block and place it to the side.
- Connect the wire according to the wiring diagram, and firmly screw the u-lug of each wire to its corresponding terminal.
- After checking to make sure every connection is secure, loop the wires around to prevent rain water from flowing into the terminal.
- Using the cable clamp, fasten the cable to the unit. Screw the cable clamp down tightly.

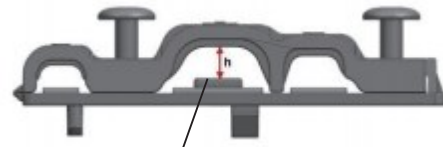
- Insulate unused wires with PVC electrical tape. Arrange them so that they do not touch any electrical or metal parts.
- Replace the wire cover on the side of the unit, and screw it in place.



NOTE: If the cable clamp looks like the following, please select the appropriate through-hole according to the diameter of the wire.



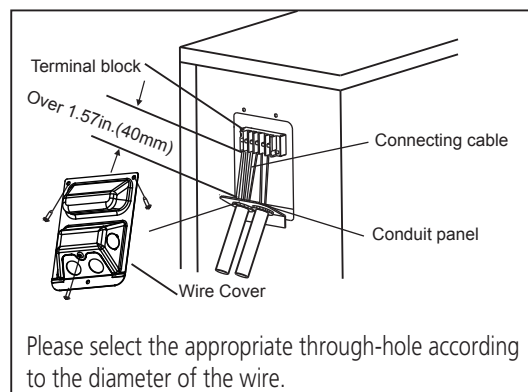
Three size hole: Small, Large, Medium



When the cable is not fasten enough, use the buckle to prop it up, so it can be clamped tightly.

In North America

- Remove the wire cover from the unit by loosening the 3 screws.
- Dismount caps on the conduit panel.
- Temporarily mount the conduit tubes(not included) on the conduit panel.
- Properly connect both the power supply and low voltage lines to the corresponding terminals on the terminal block.
- Ground the unit in accordance with local codes.
- Be sure to size each wire allowing several inches longer than the required length for wiring.
- Use lock nuts to secure the conduit tubes.



Please select the appropriate through-hole according to the diameter of the wire.

Refrigerant Piping Connection

When connecting refrigerant piping, **do not** let substances or gases other than the specified refrigerant enter the unit. The presence of other gases or substances will lower the unit's capacity, and can cause abnormally high pressure in the refrigeration cycle. This can cause explosion and injury.

Note on Pipe Length

The length of refrigerant piping will affect the performance and energy efficiency of the unit. Nominal efficiency is tested on units with a pipe length of 5 meters (16.5ft) (In North America, the standard pipe length is 7.5m (25')). A minimum pipe run of 3 metres is required to minimise vibration & excessive noise. In special tropical area, for the R290 refrigerant models, no refrigerant can be added and the maximum length of refrigerant pipe should not exceed 10 meters(32.8ft).

Refer to the table below for specifications on the maximum length and drop height of piping.

Maximum Length and Drop Height of Refrigerant Piping per Unit Model

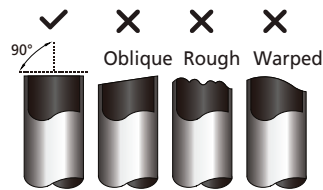
Model	Capacity (BTU/h)	Max. Length (m)	Max. Drop Height (m)
R410A,R32 Inverter Split Air Conditioner	< 15,000	25 (82ft)	10 (33ft)
	≥ 15,000 and < 24,000	30 (98.5ft)	20 (66ft)
	≥ 24,000 and < 36,000	50 (164ft)	25 (82ft)
R22 Fixed-speed Split Air Conditioner	< 18,000	10 (33ft)	5 (16ft)
	≥ 18,000 and < 21,000	15 (49ft)	8(26ft)
	≥ 21,000 and < 35,000	20 (66ft)	10(33ft)
R410A, R32 Fixed-speed Split Air Conditioner	< 18,000	20 (66ft)	8(26ft)
	≥ 18,000 and < 36,000	25 (82ft)	10(33ft)

Connection Instructions – Refrigerant Piping

Step 1: Cut pipes

When preparing refrigerant pipes, take extra care to cut and flare them properly. This will ensure efficient operation and minimize the need for future maintenance.

1. Measure the distance between the indoor and outdoor units.
2. Using a pipe cutter, cut the pipe a little longer than the measured distance.
3. Make sure that the pipe is cut at a perfect 90° angle.



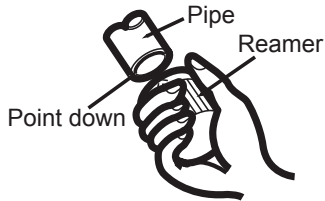
DO NOT DEFORM PIPE WHILE CUTTING

Be extra careful not to damage, dent, or deform the pipe while cutting. This will drastically reduce the heating efficiency of the unit.

Step 2: Remove burrs

Burrs can affect the air-tight seal of refrigerant piping connection. They must be completely removed.

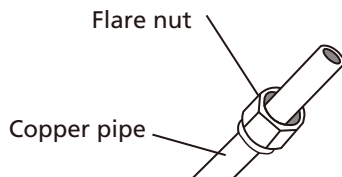
1. Hold the pipe at a downward angle to prevent burrs from falling into the pipe.
2. Using a reamer or deburring tool, remove all burrs from the cut section of the pipe.



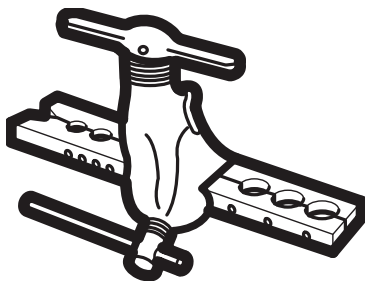
Step 3: Flare pipe ends

Proper flaring is essential to achieve an airtight seal.

1. After removing burrs from cut pipe, seal the ends with PVC tape to prevent foreign materials from entering the pipe.
2. Sheath the pipe with insulating material.
3. Place flare nuts on both ends of pipe. Make sure they are facing in the right direction, because you can't put them on or change their direction after flaring.

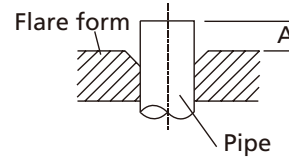


4. Remove PVC tape from ends of pipe when ready to perform flaring work.
5. Clamp flare form on the end of the pipe. The end of the pipe must extend beyond the edge of the flare form in accordance with the dimensions shown in the table below.



PIPING EXTENSION BEYOND FLARE FORM

Outer Diameter of Pipe (mm)	A (mm)	
	Min.	Max.
Ø 6.35 (Ø 0.25")	0.7 (0.0275")	1.3 (0.05")
Ø 9.52 (Ø 0.375")	1.0 (0.04")	1.6 (0.063")
Ø 12.7 (Ø 0.5")	1.0 (0.04")	1.8 (0.07")
Ø 16 (Ø 0.63")	2.0 (0.078")	2.2 (0.086")
Ø 19 (Ø 0.75")	2.0 (0.078")	2.4 (0.094")



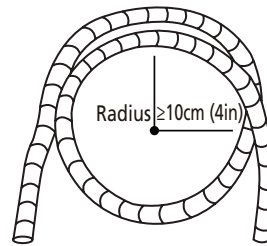
6. Place flaring tool onto the form.
7. Turn the handle of the flaring tool clockwise until the pipe is fully flared.
8. Remove the flaring tool and flare form, then inspect the end of the pipe for cracks and even flaring.

Step 4: Connect pipes

When connecting refrigerant pipes, be careful not to use excessive torque or to deform the piping in any way. You should first connect the low-pressure pipe, then the high-pressure pipe.

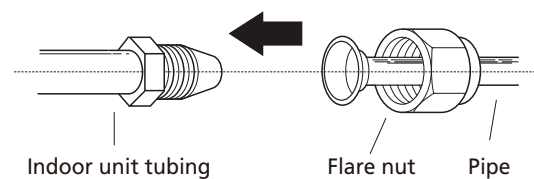
MINIMUM BEND RADIUS

When bending connective refrigerant piping, the minimum bending radius is 10cm.

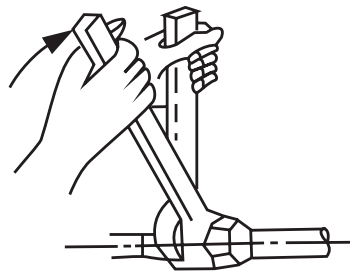


Instructions for Connecting Piping to Indoor Unit

1. Align the center of the two pipes that you will connect.



- Tighten the flare nut as tightly as possible by hand.
- Using a spanner, grip the nut on the unit tubing.
- While firmly gripping the nut on the unit tubing, use a torque wrench to tighten the flare nut according to the torque values in the **Torque Requirements** table below. Loosen the flaring nut slightly, then tighten again.



TORQUE REQUIREMENTS

Outer Diameter of Pipe (mm)	Tightening Torque (N•m)	Flare dimension(B) (mm)	Flare shape
Ø 6.35 (Ø 0.25")	18~20(180~200kgf.cm)	8.4~8.7 (0.33~0.34")	
Ø 9.52 (Ø 0.375")	32~39(320~390kgf.cm)	13.2~13.5 (0.52~0.53")	
Ø 12.7 (Ø 0.5")	49~59(490~590kgf.cm)	16.2~16.5 (0.64~0.65")	
Ø 16 (Ø 0.63")	57~71(570~710kgf.cm)	19.2~19.7 (0.76~0.78")	
Ø 19 (Ø 0.75")	67~101(670~1010kgf.cm)	23.2~23.7 (0.91~0.93")	

⊘ DO NOT USE EXCESSIVE TORQUE

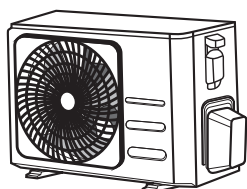
Excessive force can break the nut or damage the refrigerant piping. You must not exceed torque requirements shown in the table above.

Instructions for Connecting Piping to Outdoor Unit

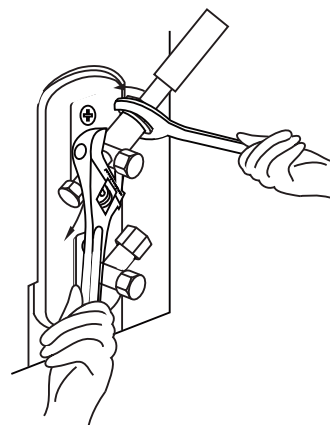
- Unscrew the cover from the packed valve on the side of the outdoor unit.
- Remove protective caps from ends of valves.
- Align flared pipe end with each valve, and tighten the flare nut as tightly as possible by hand.
- Using a spanner, grip the body of the valve. Do not grip the nut that seals the service valve.
- Loosen the flaring nut slightly, then tighten again.
- Repeat Steps 3 to 6 for the remaining pipe.

! USE SPANNER TO GRIP MAIN BODY OF VALVE

Torque from tightening the flare nut can snap off other parts of valve.



Valve cover



- While firmly gripping the body of the valve, use a torque wrench to tighten the flare nut according to the correct torque values.

Air Evacuation

Preparations and Precautions

Air and foreign matter in the refrigerant circuit can cause abnormal rises in pressure, which can damage the air conditioner, reduce its efficiency, and cause injury. Use a vacuum pump and manifold gauge to evacuate the refrigerant circuit, removing any non-condensable gas and moisture from the system.

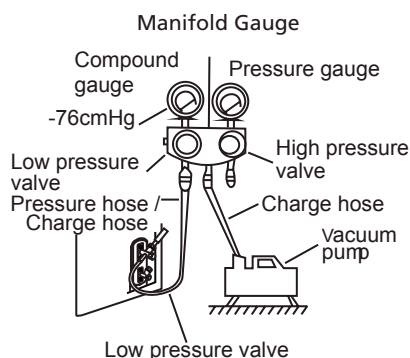
Evacuation should be performed upon initial installation and when unit is relocated.

BEFORE PERFORMING EVACUATION

- ☑ Check to make sure the connective pipes between the indoor and outdoor units are connected properly.
- ☑ Check to make sure all wiring is connected properly.

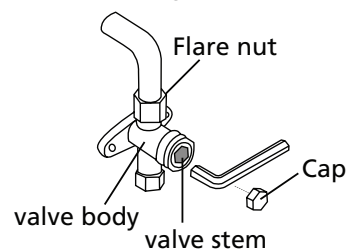
Evacuation Instructions

1. Connect the charge hose of the manifold gauge to service port on the outdoor unit's low pressure valve.
2. Connect another charge hose from the manifold gauge to the vacuum pump.
3. Open the Low Pressure side of the manifold gauge. Keep the High Pressure side closed.
4. Turn on the vacuum pump to evacuate the system.
5. Run the vacuum for at least 15 minutes, or until the Compound Meter reads -76cmHg (-10^5Pa).



6. Close the Low Pressure side of the manifold gauge, and turn off the vacuum pump.
7. Wait for 5 minutes, then check that there has been no change in system pressure.

8. If there is a change in system pressure, refer to Gas Leak Check section for information on how to check for leaks. If there is no change in system pressure, unscrew the cap from the packed valve (high pressure valve).
9. Insert hexagonal wrench into the packed valve (high pressure valve) and open the valve by turning the wrench in a $1/4$ counterclockwise turn. Listen for gas to exit the system, then close the valve after 5 seconds.
10. Watch the Pressure Gauge for one minute to make sure that there is no change in pressure. The Pressure Gauge should read slightly higher than atmospheric pressure.
11. Remove the charge hose from the service port.



12. Using hexagonal wrench, fully open both the high pressure and low pressure valves.
13. Tighten valve caps on all three valves (service port, high pressure, low pressure) by hand. You may tighten it further using a torque wrench if needed.

! OPEN VALVE STEMS GENTLY

When opening valve stems, turn the hexagonal wrench until it hits against the stopper. Do not try to force the valve to open further.

Note on Adding Refrigerant

Some systems require additional charging depending on pipe lengths. The standard pipe length varies according to local regulations. For example, in North America, the standard pipe length is 7.5m (25'). In other areas, the standard pipe length is 5m (16'). The refrigerant should be charged from the service port on the outdoor unit's low pressure valve. The additional refrigerant to be charged can be calculated using the following formula:

ADDITIONAL REFRIGERANT PER PIPE LENGTH

Connective Pipe Length (m)	Air Purging Method	Additional Refrigerant	
≤ Standard pipe length	Vacuum Pump	N/A	
> Standard pipe length	Vacuum Pump	Liquid Side: Ø 6.35 (ø 0.25") R32: (Pipe length – standard length) x 12g/m (Pipe length – standard length) x 0.13oZ/ft R290: (Pipe length – standard length) x 10g/m (Pipe length – standard length) x 0.10oZ/ft R410A: (Pipe length – standard length) x 15g/m (Pipe length – standard length) x 0.16oZ/ft R22: (Pipe length – standard length) x 20g/m (Pipe length – standard length) x 0.21oZ/ft	Liquid Side: Ø 9.52 (ø 0.375") R32: (Pipe length – standard length) x 24g/m (Pipe length – standard length) x 0.26oZ/ft R290: (Pipe length – standard length) x 18g/m (Pipe length – standard length) x 0.19oZ/ft R410A: (Pipe length – standard length) x 30g/m (Pipe length – standard length) x 0.32oZ/ft R22: (Pipe length – standard length) x 40g/m (Pipe length – standard length) x 0.42oZ/ft

For R290 refrigerant unit, the total amount of refrigerant to be charged is no more than: 387g(≤9000Btu/h), 447g(>9000Btu/h and ≤12000Btu/h), 547g(>12000Btu/h and ≤18000Btu/h), 632g(>18000Btu/h and ≤24000Btu/h).

 **CAUTION** DO NOT mix refrigerant types.

Electrical and Gas Leak Checks

Before Test Run

Only perform test run after you have completed the following steps:

- **Electrical Safety Checks** – Confirm that the unit's electrical system is safe and operating properly
- **Gas Leak Checks** – Check all flare nut connections and confirm that the system is not leaking
- Confirm that gas and liquid (high and low pressure) valves are fully open

Electrical Safety Checks

After installation, confirm that all electrical wiring is installed in accordance with local and national regulations, and according to the Installation Manual.

BEFORE TEST RUN

Check Grounding Work

Measure grounding resistance by visual detection and with grounding resistance tester. Grounding resistance must be less than 0.1Ω .

Note: This may not be required for some locations in North America.

DURING TEST RUN

Check for Electrical Leakage

During the **Test Run**, use an electroprobe and multimeter to perform a comprehensive electrical leakage test.

If electrical leakage is detected, turn off the unit immediately and call a licensed electrician to find and resolve the cause of the leakage.

Note: This may not be required for some locations in North America.

WARNING – RISK OF ELECTRIC SHOCK

ALL WIRING MUST COMPLY WITH LOCAL AND NATIONAL ELECTRICAL CODES, AND MUST BE INSTALLED BY A LICENSED ELECTRICIAN.

Gas Leak Checks

There are two different methods to check for gas leaks.

Soap and Water Method

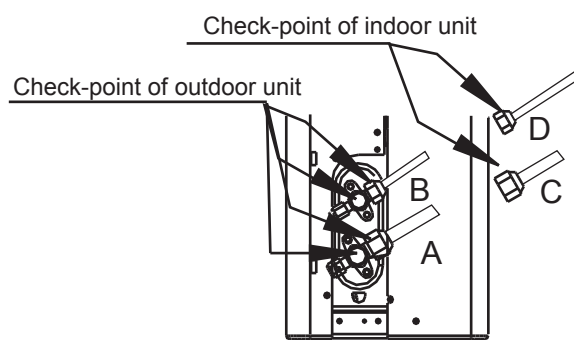
Using a soft brush, apply soapy water or liquid detergent to all pipe connection points on the indoor unit and outdoor unit. The presence of bubbles indicates a leak.

Leak Detector Method

If using leak detector, refer to the device's operation manual for proper usage instructions.

AFTER PERFORMING GAS LEAK CHECKS

After confirming that the all pipe connection points **DO NOT** leak, replace the valve cover on the outside unit.



A: Low pressure stop valve
B: High pressure stop valve
C & D: Indoor unit flare nuts

Test Run

Test Run Instructions

You should perform the **Test Run** for at least 30 minutes.

1. Connect power to the unit.
2. Press the **ON/OFF** button on the remote controller to turn it on.
3. Press the **MODE** button to scroll through the following functions, one at a time:
 - COOL – Select lowest possible temperature
 - HEAT – Select highest possible temperature
4. Let each function run for 5 minutes, and perform the following checks:

List of Checks to Perform	PASS/FAIL	
No electrical leakage		
Unit is properly grounded		
All electrical terminals properly covered		
Indoor and outdoor units are solidly installed		
All pipe connection points do not leak	Outdoor (2):	Indoor (2):
Water drains properly from drain hose		
All piping is properly insulated		
Unit performs COOL function properly		
Unit performs HEAT function properly		
Indoor unit louvers rotate properly		
Indoor unit responds to remote controller		

DOUBLE-CHECK PIPE CONNECTIONS

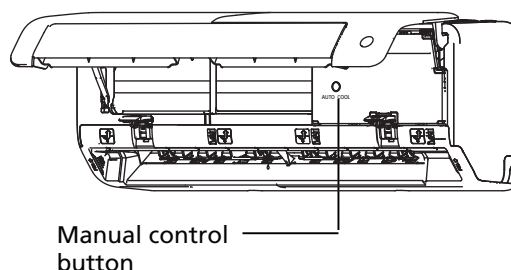
During operation, the pressure of the refrigerant circuit will increase. This may reveal leaks that were not present during your initial leak check. Take time during the Test Run to double-check that all refrigerant pipe connection points do not have leaks. Refer to **Gas Leak Check** section for instructions.

5. After the Test Run is successfully completed, and you confirm that all checks points in List of Checks to Perform have PASSED, do the following:
 - a. Using remote control, return unit to normal operating temperature.
 - b. Using insulation tape, wrap the indoor refrigerant pipe connections that you left uncovered during the indoor unit installation process.

IF AMBIENT TEMPERATURE IS BELOW 17°C (62°F)

You can't use the remote controller to turn on the COOL function when the ambient temperature is below 16°C. In this instance, you can use the **MANUAL CONTROL** button to test the COOL function.

1. The **MANUAL CONTROL** button is located on the right-hand side panel of the unit.
2. Press the button 2 times to select the COOL function.
3. Perform Test Run as normal.



Packing and unpacking the unit

Instructions for packing unpacking the unit:

Unpacking:

Indoor unit:

1. Cut the sealing tape on the carton with a knife, one cut on the left, one cut in the middle and one cut on the right.
2. Use the vice to take out the sealing nails on the top of the carton.
3. Open the carton.
4. Take out the middle support plate if it is included.
5. Take out the accessory package, and take out the connecting wire if it is included.
6. Lift the machine out of the carton and lay it flat.
7. Remove the left and right package foam or the upper and lower packaging foam, untie the packaging bag.

Outdoor Unit

1. Cut the packing belt.
2. Take the unit out of the carton.
3. Remove the foam from the unit.
4. Remove the packaging bag from the unit.

Packing:

Indoor unit:

1. Put the indoor unit into the packing bag.
2. Attach the left and right package foam or the upper and lower packaging foam to the unit.
3. Put the unit into the carton, then put accessory package in.
4. Close the carton and seal it with the tape.
5. Using the packing belt if necessary.

Outdoor unit:

1. Put the outdoor unit into the packing bag.
2. Put the bottom foam into the box.
3. Put the unit into the carton, then put the upper packaging foam on the unit.
4. Close the carton and seal it with the tape.
5. Using the packing belt if necessary.

NOTE: Please keep all packaging items if you may need in the future.




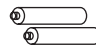


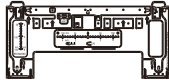




Manual de Instalación

Accesorios	17
Resumen de Instalación - Unidad Interior.....	18
Partes de la Unidad	19
Instalación de Unidad Interior.....	20
1. Seleccionar la ubicación de instalación.....	20
2. Fijar la placa de montaje a la pared	20
3. Perforar un agujero en la pared para la tubería de conexión.....	21
4. Preparar las tuberías de refrigerante.....	22
5. Conectar la manguera de drenaje.....	24
6. Conectar el cable de señal.....	25
7. Enrollar tuberías y cables	26
8. Instalar la unidad interior	27
Instalación de Unidad Exterior.....	27
1. Seleccionar la ubicación de instalación.....	27
2. Instalar la junta de drenaje	28
3. Anclar la unidad exterior.....	28
4. Conectar los cables de señal y de alimentación	30
Conexión de las Tuberías de Refrigerante.....	31
A. Aviso sobre la Longitud del Tubo	31
B. Instrucciones de Conexión - Tuberías de Refrigerante.....	31
1. Cortar los tubos	31
2. Retirar rebabas.....	32
3. Ensanchar los extremos de los tubos	32
4. Conectar tubos.....	32
Evacuación de Aire	34
1. Instrucciones de Evacuación.....	34
2. Aviso sobre Añadir Refrigerante.....	35
Revisiones de Fugas Eléctricas y de Gas.....	36
Prueba de Funcionamiento	37
Embalaje y Desembalaje de la unidad.....	38

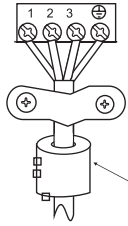
Unidad interior	Unidad exterior	Tensión nominal y Hz
42QHE009D8SH	38QHE009D8SH	220-240V~ 50/60Hz
42QHE012D8SH	38QHE012D8SH	
42QHE018D8SH	38QHE018D8SH	
42QHE024D8SH	38QHE024D8SH	

Accesorios

El sistema de aire acondicionado incluye los siguientes accesorios. Utilice todos los accesorios y piezas de instalación para instalar el aire acondicionado. Una instalación inapropiada puede causar fugas de agua, descargas eléctricas o incendios, o provocar fallas en el equipo. Los artículos no incluidos con el aire acondicionado deben comprarse por separado.

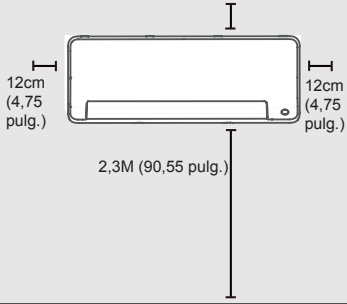
Nombre de los Accesorios	Cantidad (pieza)	Forma	Nombre de los Accesorios	Cantidad (pieza)	Forma
Manual	2-3		Control remoto	1	
Junta de drenaje (para modelos de refrigeración y calefacción)	1		Batería	2	
Sello (para modelos de refrigeración y calefacción)	1		Soporte de control remoto (opcional)	1	
Placa de montaje	1		Tornillo de fijación para el soporte de control remoto (opcional)	2	
Anclaje	5~8 (Depende de modelos)		Filtro Pequeño (Debe ser instalado en la parte posterior del filtro de aire principal por el técnico autorizado mientras instala la máquina)	1~2 (Depende de modelos)	
Tornillo de fijación de la placa de montaje	5~8 (Depende de modelos)				

Accesorios

Nombre	Forma	Cantidad (pieza)	
Conjunto de tubería de conexión	Lado de líquido	<p>ø6,35 (1/4 pulg.)</p> <p>ø9,52 (3/8 pulg.)</p>	Piezas que debe comprar por separado. Consulte al distribuidor sobre el tamaño de tubería adecuado de la unidad que compró.
	Lado de gas	ø9,52 (3/8 pulg.)	
		ø12,7 (1/2 pulg.)	
		ø16 (5/8 pulg.)	
		ø19 (3/4 pulg.)	
	Cinturón y anillo magnético (si provistos, consulte el diagrama de cableado para instalarlo en el cable conectivo.)	 <p>Pase el cinturón a través del agujero del Anillo magnético para fijarlo al cable</p>	

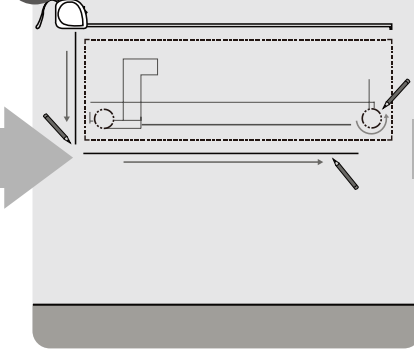
Resumen de Instalación – Unidad Interior

1 Se determina la distancia desde el techo por método de instalación.



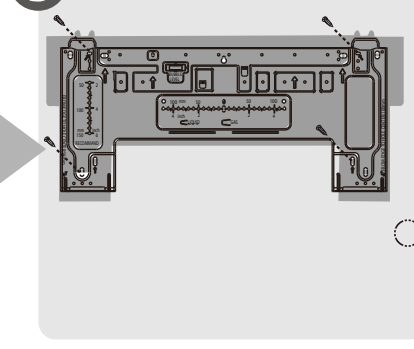
Seleccione la ubicación de instalación

2



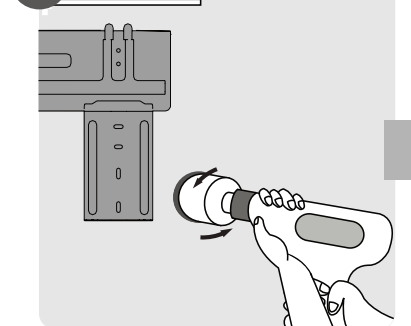
Determine la posición del agujero de la pared

3



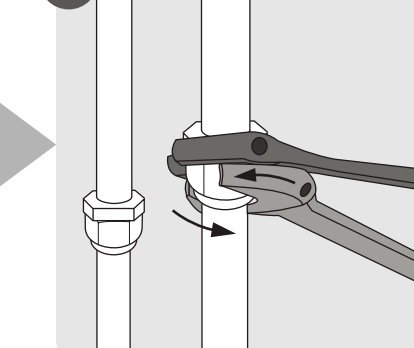
Fije la placa de montaje

4



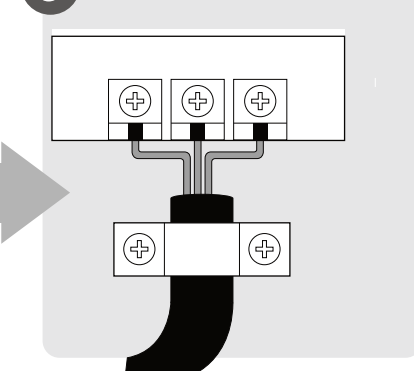
Taladre el agujero en la pared

5



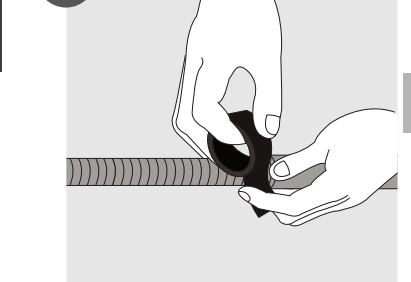
Conecte tubos

6



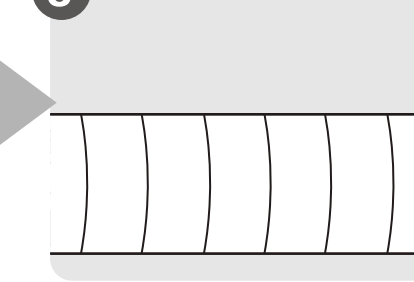
**Conecte el cableado
(no se aplica en algunos lugares de E.E.U.U.)**

7



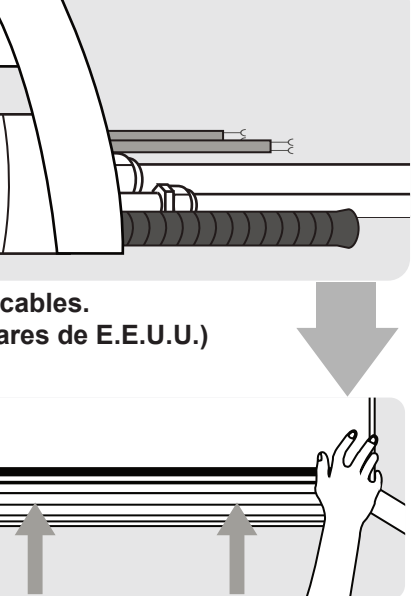
Prepare la manguera de drenaje

8



**Envuelva tubería y cables.
(no se aplica en algunos lugares de E.E.U.U.)**

9

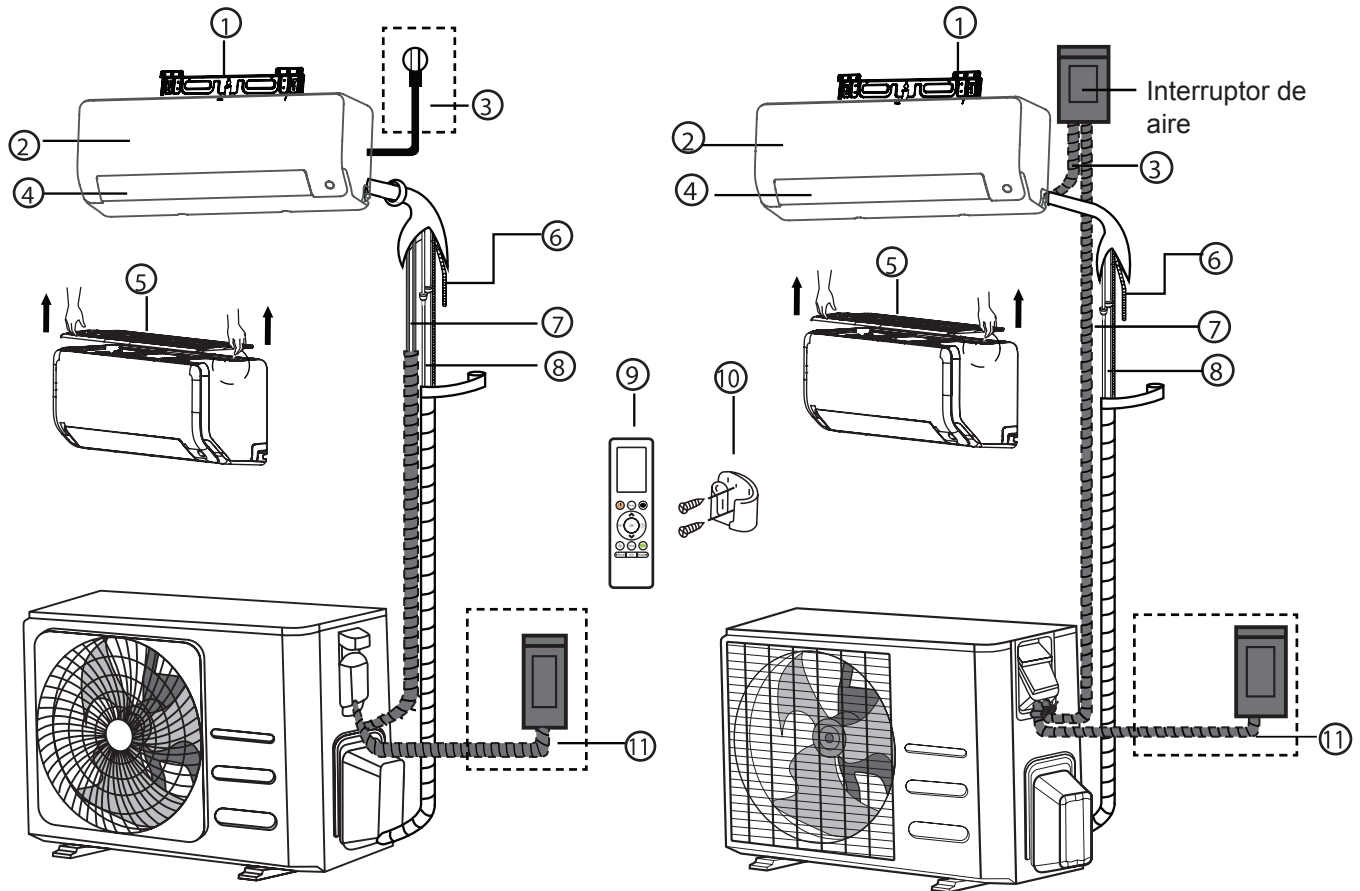


Monte la unidad interior

Resumen de
Instalación

Partes de la Unidad

AVISO: La instalación debe realizarse de acuerdo a los requerimientos de los estándares locales y nacionales. La instalación podría diferir ligeramente en diferentes zonas.



(1)

(2)

- ① Placa de Montaje en Pared
- ② Panel Frontal
- ③ Cable de Alimentación (Algunas Unidades)
- ④ Lámina

- ⑤ Filtro de aire (sáquelo)
- ⑥ Tubería de Drenaje
- ⑦ Cable de Señal
- ⑧ Tubería de Refrigerante

- ⑨ Control Remoto
- ⑩ Soporte de Control Remoto (Algunas Unidades)
- ⑪ Cable de Alimentación de Unidad Exterior (Algunas Unidades)

AVISO SOBRE LAS ILUSTRACIONES

Las ilustraciones de este manual tienen fines explicativos. La forma de su unidad interior podría ser ligeramente diferente. Prevalecerá la forma actual.

Instalación de Unidad Interior

Instrucciones de Instalación – Unidad Interior

ANTES DE LA INSTALACIÓN

Antes de instalar la unidad interior, consulte la etiqueta de la caja del producto para asegurarse de que el número del modelo de la unidad interior se corresponde con el número del modelo de la unidad exterior.

Paso 1: Seleccionar la ubicación de instalación

Antes de instalar la unidad interior, debe elegir una ubicación adecuada. Aquí tiene unas condiciones que le ayudarán a elegir una ubicación adecuada para la unidad.

Los lugares de instalación correctos deben cumplir las siguientes condiciones:

- Buena circulación de aire y ventilación
- Drenaje adecuado
- El ruido de la unidad no molestará a otras personas
- Firme y estable — el lugar no vibrará
- Suficientemente robusto para aguantar el peso de la unidad
- Un lugar a al menos un metro de cualquier otro dispositivo eléctrico (p. ej., TV, radio, computadora)

NO instale la unidad en los siguientes lugares:

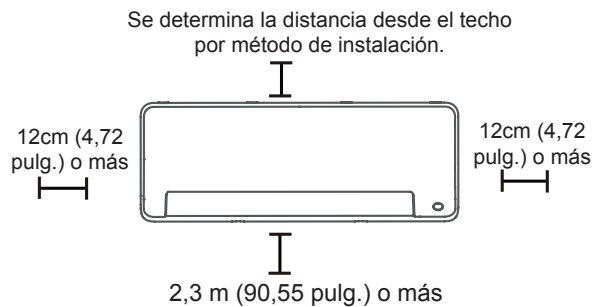
- Cerca de cualquier fuente de calor, vapor o gas combustible
- Cerca de objetos inflamables como cortinas o ropa
- Cerca de cualquier obstáculo que pueda bloquear la circulación de aire
- Cerca de la puerta
- En un lugar expuesto a la luz solar directa

AVISO SOBRE EL AGUJERO EN LA PARED:

Si no hay tubería de refrigerante fija:

Al elegir una ubicación, tenga en cuenta que debe dejar bastante espacio para un agujero en la pared (ver el paso **Perforar un agujero en la pared para la tubería de conexión**) para el cable de señal y la tubería de refrigerante que conectan las unidades interior y exterior. La posición predeterminada para todas las tuberías es el lado derecho de la unidad interior (mirando a la unidad). Sin embargo, la unidad puede contener tuberías tanto a la derecha como a la izquierda.

Consulte el siguiente diagrama para asegurar la distancia adecuada a las paredes y el techo:



AVISO:

- **Si no necesita el soporte posterior para apoyar contra la unidad:**

Completar las conexiones de tubos y cables antes de montar la unidad interior sobre la pared. Si se limita la altura de instalación, se permite un 5cm desde el techo, pero esto reducirá el rendimiento del producto. Con la finalidad de garantizar el espacio suficiente para instalar y desmontar el filtro de aire superior, mantenga al menos 10cm o más del techo.

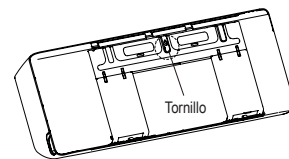
- **Si necesita el soporte posterior para apoyar contra la unidad:**

Si se conecta los tubos y cables con el panel frontal abierto, la distancia mínima desde el techo es 22cm o más; si se conecta los tubos y cables sin panel frontal (desmontado), la distancia mínima del techo es 11cm o más.

Paso 2: Fijar la placa de montaje a la pared

La placa de montaje es el dispositivo en el que instalará la unidad interior.

- Retire el tornillo que fija la placa de montaje a la parte posterior de la unidad interior.



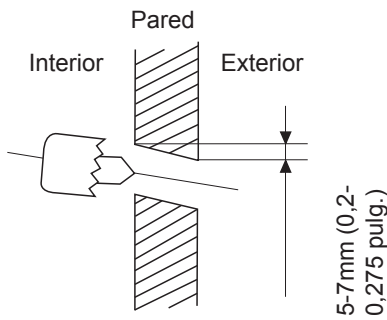
- Asegure la placa de montaje a la pared con los tornillos provistos. Asegúrese de que la placa de montaje quede plana contra la pared.

AVISO PARA PAREDES DE HORMIGÓN O LADRILLO:

Si la pared es de ladrillo, hormigón o material similar, perforo agujeros de 5 mm (0,2 pulg.) de diámetro en la pared e inserte los tacos provistos. A continuación, asegure la placa de montaje en la pared apretando los tornillos directamente en los tacos.

Paso 3: Perforar un agujero en la pared para la tubería de conexión

1. Determine la ubicación del orificio en la pared según la posición de la placa de montaje. Consulte las **Dimensiones de la Placa de Montaje**.
2. Perfore un agujero en la pared utilizando un taladro percutor de 65 mm (2,5 pulg.) o 90 mm (3,54 pulg.) (dependiendo de los modelos). Asegúrese de que el agujero sea perforado en un ángulo ligeramente descendente, de forma que el extremo de salida esté de 5 a 7 mm (0,2-0,275 pulg.) más bajo que el de entrada. Esto asegurará un drenaje de agua adecuado.



AVISO: Cuando el tubo conector del lado de gas es de $\Phi 16\text{mm}$ (5/8 pulg.) o más, el orificio debe ser de 90mm(3,54 pulg.).

3. Meta la manga protectora de la pared en el agujero. Esto protege los bordes del agujero y ayudará a sellarlo cuando finalice el proceso de instalación.



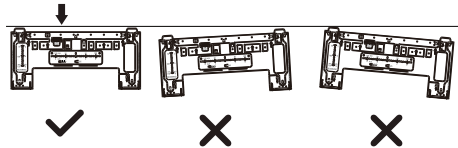
PRECAUCIÓN

Al perforar el agujero de la pared, asegúrese de evitar cables, tuberías y otros componentes sensibles.

DIMENSIONES DE LA PLACA DE MONTAJE

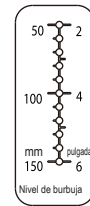
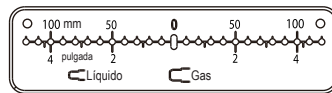
Diferentes modelos tienen diferentes placas de montaje. Para la conveniencia de instalación, hay un nivel de burbuja, con dimensiones talladas en la placa de montaje. Instale la placa y perfore el agujero de pared conforme a las informaciones de la placa de montaje. Véase la siguiente imagen.

Orientación correcta de la Placa de Montaje

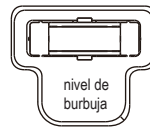


Unidad: mm (pulg.)

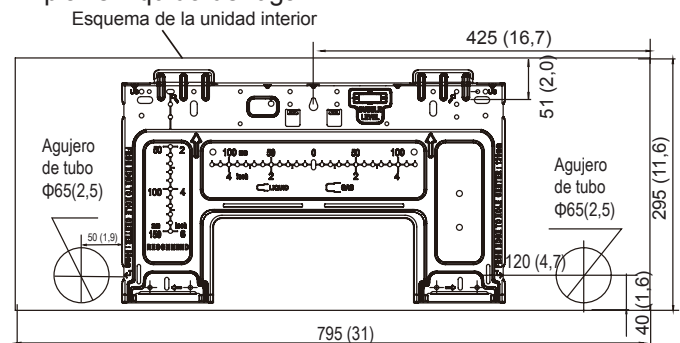
Regla de dirección horizontal



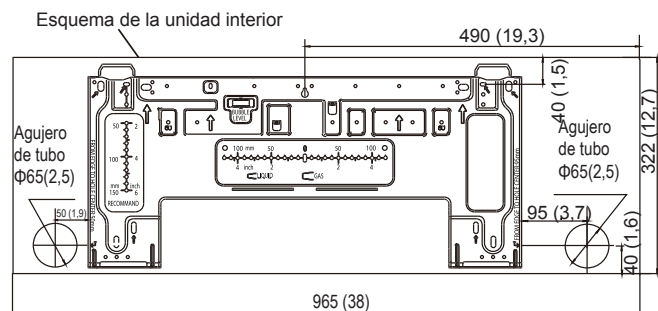
Regla de dirección vertical



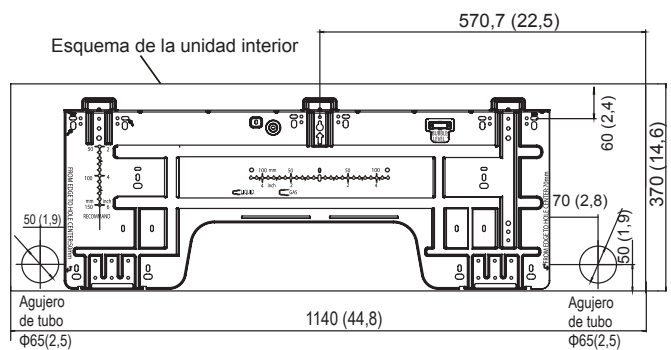
PRECAUCIÓN: No se puede retirar el nivel de burbuja en la placa de montaje. Si está dañado, asegúrese de limpiar el líquido de fuga.



Modelo A



Modelo B



Modelo C

Instalación de Unidad Interior

Paso 4: Preparar las tuberías de refrigerante

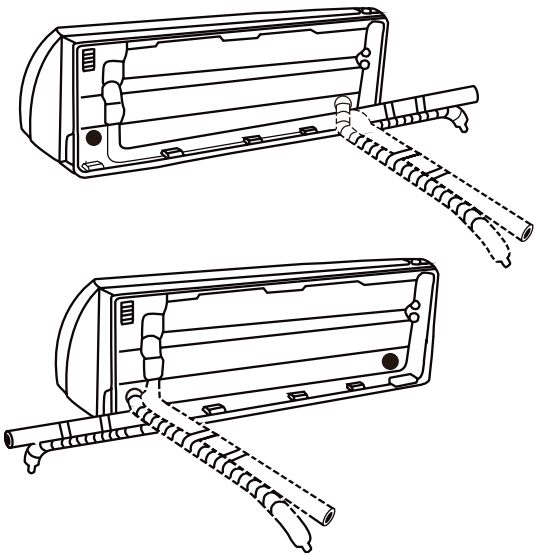
Las tuberías de refrigerante están dentro de una manga aislante fijada a la parte trasera de la unidad. Debe preparar las tuberías antes de pasarlas a través del agujero de la pared. Refiérase a la sección de **Conexión de Tuberías de Refrigerante** del manual para instrucciones detalladas sobre requisitos de par de abocinado de tubo y técnicas, etc.

AVISO SOBRE EL ÁNGULO DE LA TUBERÍA

La tubería de refrigerante puede salir de la unidad interior en cuatro ángulos diferentes:

- Lado izquierdo
- Posterior izquierdo
- Lado derecho
- Posterior derecho

Refiérase a las **siguientes imágenes** para los detalles.



Aviso sobre conexión de tuberías

- En algunos lugares de E.E.U.U., se debe utilizar un tubo de conducto para conectar el cable. Para asegurar un espacio suficiente para que los tubos funcionen y la máquina esté contra la pared después de instalación, se recomienda conectar la manguera de drenaje al lado derecho (cuando está frente al posterior de la unidad).
- Cuando se conecta los tubos en lado izquierdo o lado derecho, asegúrese de que los tubos salgan horizontalmente para que no afecten la instalación del panel inferior.

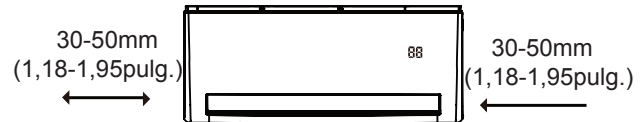
⚠ PRECAUCIÓN

Tenga mucho cuidado para no abollar ni dañar las tuberías al doblarlas para sacarlas de la unidad. Cualquier abolladura en las tuberías afectará al rendimiento de la unidad.

Si no hay tuberías de refrigerante que están insertadas en la pared, haga lo siguiente:

Paso 1: Enganche la unidad interior sobre la placa de montaje:

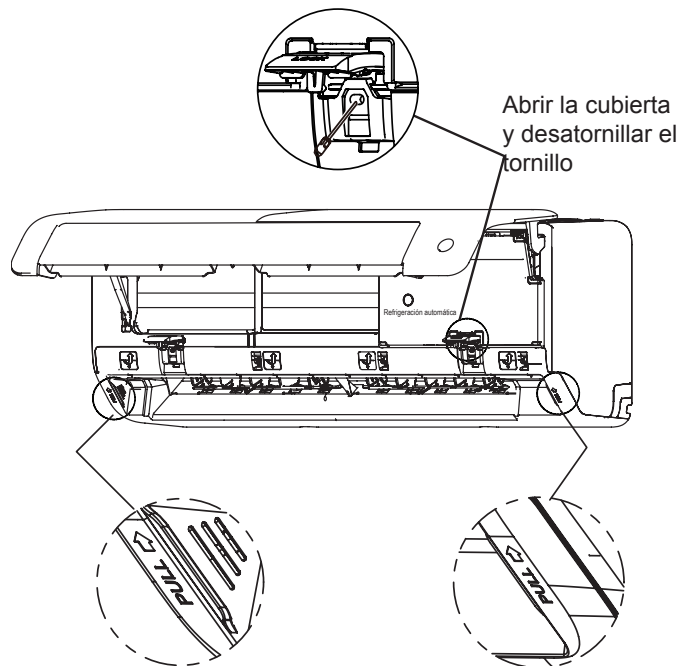
1. Tenga en cuenta que los ganchos de la placa de montaje son más pequeños que los agujeros de la parte trasera de la unidad. Si no tiene un margen amplio para conectar las tuberías insertadas a la unidad interior, la unidad puede ajustarse unos 30-50 mm (1,18-1,95 pulg.) a derecha o izquierda, dependiendo del modelo.



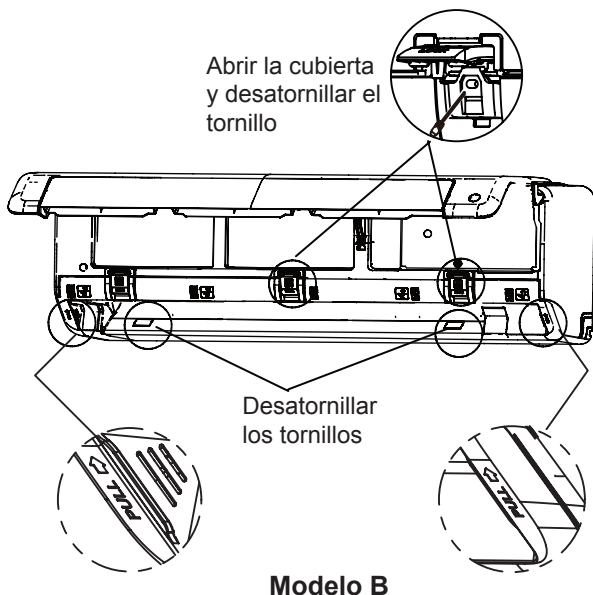
Mover a izquierda o derecha

Paso 2: Prepare las tuberías de refrigerante:

1. Abra y fije la posición del panel, luego abra las cubiertas de dos bloques de bloqueo, desatornille los tornillos mostrados en la siguiente imagen, luego mantenga ambos lados del panel inferior en la parte marcada "empujar", empujelo hacia arriba para liberar los ganchos, y retire el panel inferior.

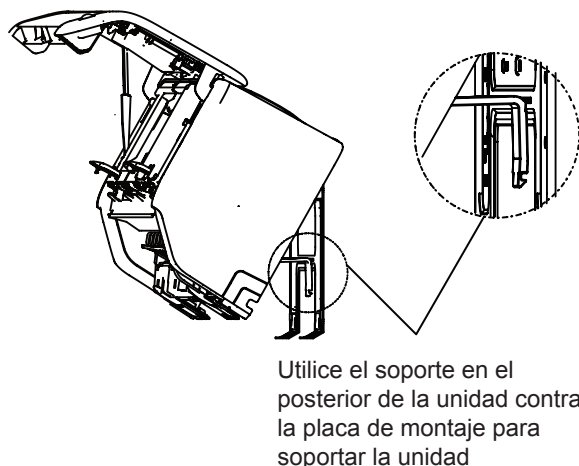


Modelo A



Modelo B

2. Utilice un soporte en el posterior de la unidad para apoyar contra la unidad, dejando suficiente espacio para conectar las tuberías de refrigerante, el cable de señal y la manguera de drenaje.



Paso 3. Conecte la manguera de drenaje y las tuberías de refrigerante (consulte las instrucciones en la sección **Conexión de las Tuberías de Refrigerante** de este manual).

Paso 4. Deje expuesto el punto de conexión de las tuberías para realizar la prueba de fugas (consulte la sección **Revisiones Eléctricas y de Fugas** de este manual).

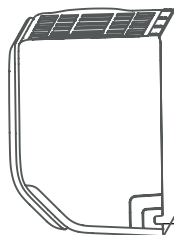
Paso 5. Tras la prueba de fugas, envuelva el punto de conexión con cinta aislante.

Paso 6. Retire el soporte o cuña que sostiene con cinta aislante.

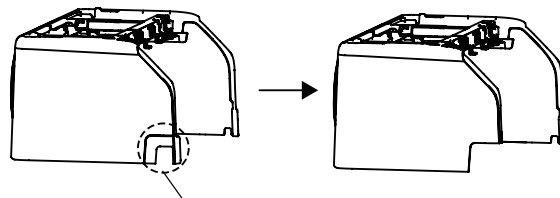
Paso 7. Utilizando una presión uniforme, presione hacia abajo la mitad inferior de la unidad. Siga presionando hasta encajar la unidad en los ganchos de la parte inferior de la placa de montaje.

Si no hay tuberías de refrigerante que están insertadas en la pared, haga lo siguiente:

1. Basándose en la posición del agujero de la pared respecto a la placa de montaje, elija el lado desde el que las tuberías saldrán de la unidad.
2. Si el agujero de la pared está detrás de la unidad, conserve el panel extraíble en su lugar. Si el agujero de la pared está a un lado de la unidad interior, retire el panel extraíble de plástico de ese lado de la unidad. (Vea la siguiente imagen). Se crea una ranura a través de la cual la tubería puede salir de la unidad. Utilice un alicate de punta fina si el panel de plástico es muy difícil de quitar a mano.



Panel extraíble (cortar según el tamaño real necesario)



Si es necesario cortar el panel plástico de tamaño grande, complete el corte según lo mostrado anterior.

3. Utilice tijeras a cortar la longitud de manga aislante para revelar de unos 40mm (1,57 pulg.) de la tubería de refrigerante. Esto funciona con dos propósitos:
 - Facilitar el proceso de **Conexión de Tuberías de Refrigerante**.
 - Facilitar **Chequeo de Escape de Gas** y permitirle verificar abolladuras.
4. Utilice un soporte en el posterior de la unidad para apoyar contra la unidad, dejando suficiente espacio para conectar las tuberías de refrigerante, el cable de señal y la manguera de drenaje.
5. Conecte la tubería de refrigerante de la unidad interior a la tubería de conexión que unirá las unidades interior y exterior. Consulte las instrucciones detalladas en la sección **Conexión de la Tubería de Refrigerante** de este manual.
6. Basándose en la posición del agujero de la pared respecto a la placa de montaje, determine el ángulo necesario de la tubería.
7. Agarre la tubería de refrigerante en la base de curva.
8. Lentamente, con una presión uniforme, curve la tubería hacia e l agujero. **No** abolle ni dañe la tubería durante el proceso.

Paso 5: Conectar la manguera de drenaje

Por defecto, la manguera de drenaje está fijada al lado izquierdo de la unidad (si mira de frente a la parte posterior de la unidad). Sin embargo, también puede fijarse al lado derecho. Para asegurar un drenaje correcto, fije la manguera de drenaje en el mismo lado por el que sale la tubería de refrigerante de la unidad.

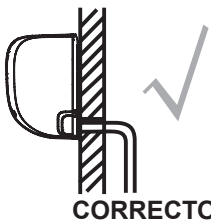
AVISO: En algunos lugares de E.E.U.U., Si la máquina ha instalado el panel de conductos, seleccione el drenaje del lado derecho.

- Envuelva firmemente el punto de conexión con cinta de teflón para asegurar un buen sellado y evitar fugas.
- Retire el filtro de aire y vierta un poco de agua en la bandeja de drenaje para asegurarse de que el agua fluya correctamente de la unidad.

! AVISO SOBRE COLOCACIÓN DE MANGUERA DE DRENAJE

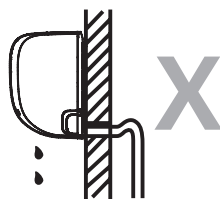
Asegúrese de disponer la manguera de drenaje de acuerdo a las siguientes imágenes.

- ⊘ **No** doble la manguera de drenaje.
- ⊘ **No** cree un colector de agua.
- ⊘ **No** coloque el extremo de la manguera de drenaje en agua o en recipiente que recolecte agua.



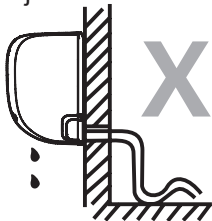
CORRECTO

Asegúrese de que no haya torceduras ni abolladuras en la manguera para asegurar un drenaje correcto.



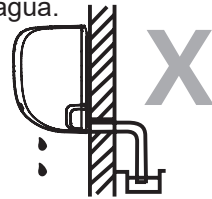
INCORRECTO

Las torceduras en la manguera de drenaje crearán trampas de agua.



INCORRECTO

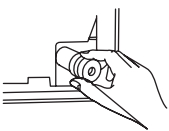
Las torceduras en la manguera de drenaje crearán trampas de agua.



INCORRECTO

No coloque el extremo de la manguera de drenaje en agua o en recipientes que recolecten agua. Esto impedirá el drenaje adecuado.

TAPE EL ORIFICIO DE DRENAJE NO UTILIZADO



Para evitar pérdidas debe conectar el orificio de drenaje no utilizado con un cable de goma que ha sido provisto.

! ANTES DE REALIZAR CUALQUIER TRABAJO ELÉCTRICO, LEA ESTAS REGULACIONES

1. Todo el cableado debe cumplir las regulaciones y los códigos eléctricos locales y nacionales, y debe ser instalado por un electricista certificado.
2. Todas las conexiones eléctricas deben realizarse de acuerdo al Diagrama de Conexiones Eléctricas situado en los paneles de las unidades interior y exterior.
3. Si hay un problema de seguridad grave con la fuente de alimentación, pare inmediatamente de trabajar. Explique sus razones al cliente y niéguese a instalar la unidad hasta que el problema de seguridad haya sido solucionado correctamente.
4. El voltaje de potencia debería estar en un 90-110% del voltaje nominal. Un suministro de potencia insuficiente puede causar averías, descargas eléctricas o incendios.
5. Si conecta la alimentación a una instalación de cableado fija, instale un protector de sobretensiones y un interruptor de alimentación principal.
6. Si conecta la alimentación a una instalación de cableado fija, debe incorporarse a la instalación un interruptor o disyuntor de circuito que desconecte todos los polos y tenga una separación de contacto de al menos 1/8 pulg. (3 mm). El técnico cualificado debe utilizar un interruptor o disyuntor de circuito certificado.
7. Solo conecte la unidad a un enchufe de circuito de ramal individual. No conecte otros aparatos a ese enchufe.
8. Asegúrese de conectar a tierra correctamente el aire acondicionado.
9. Todos los cables deben estar firmemente conectados. El cableado suelto puede causar que se sobrecaliente el terminal, provocando averías en el producto y posibles incendios.
10. No deje que los cables toquen ni se apoyen en el tubo de refrigerante, el compresor o cualquier parte móvil de la unidad.
11. Si la unidad tiene un calentador eléctrico auxiliar, debe instalarse a al menos 1 metro (40 pulg.) de cualquier material combustible.
12. Para evitar descargas eléctricas, nunca toque los componentes eléctricos poco después de que se haya apagado la alimentación de corriente. Tras apagar la corriente, espere siempre 10 minutos o más antes de tocar los componentes eléctricos.

! ADVERTENCIA

ANTES DE REALIZAR CUALQUIER TAREA ELÉCTRICA O CON EL CABLEADO, APAGUE LA CORRIENTE DEL SISTEMA.

Paso 6: Conectar los cables de señal y de alimentación

El cable de señal permite la comunicación entre las unidades interior y exterior. Debe elegir el tamaño de cable adecuado antes de prepararlo para la conexión.

Tipos de Cables

- **Cable de Alimentación del Interior** (si es aplicable):
H05VV-F o H05V2V2-F
- **Cable de Alimentación del Exterior:** H07RN-F o H05RN-F
- **Cable de Señal:** H07RN-F
AVISO: En América Septentrional, elija el tipo de cable de acuerdo con los códigos y regulaciones eléctricos locales.

Área mínima de sección transversal de los cables de potencia y señal (Para referencia) (No aplicable para Norteamérica)

Corriente Nominal de Aparato (A)	Área de sección transversal nominal (mm ²)
> 3 y ≤ 6	0,75
> 6 y ≤ 10	1
> 10 y ≤ 16	1,5
> 16 y ≤ 25	2,5
> 25 y ≤ 32	4
> 32 y ≤ 40	6

ELEGIR EL TAMAÑO CORRECTO DEL CABLE

El tamaño del cable de alimentación, cable de señal, fusible e interruptor está determinado por la corriente máxima de la unidad. La corriente máxima está indicada en la placa situada en el panel lateral de la unidad. Consulte esta placa para elegir el cable, fusible e interruptor correctos.

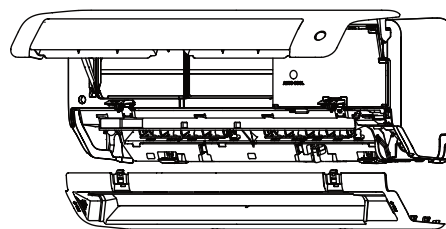
AVISO: En América Septentrional, elija el tamaño de cable correcto de acuerdo con la Ampacidad Mínima del Circuito indicada en la placa de identificación de la unidad.

1. Abra y fije la posición del panel, luego abra las cubiertas de dos bloques de bloqueo, desatornille los tornillos, luego mantenga ambos lados del panel inferior en la parte marcada "PULL", empújelo hacia arriba para liberar los ganchos, y retire el panel inferior (consulte la página 22-23).
2. Abra la cubierta de caja de cables para conectar los cables.
3. Desatornille la pinza de cables bajo el bloque de terminales y colóquela a un lado.
4. Mirando a la parte trasera de la unidad, retire el panel plástico del lado inferior izquierdo.

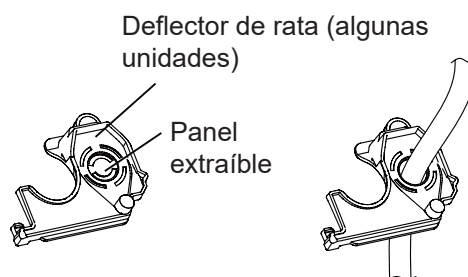
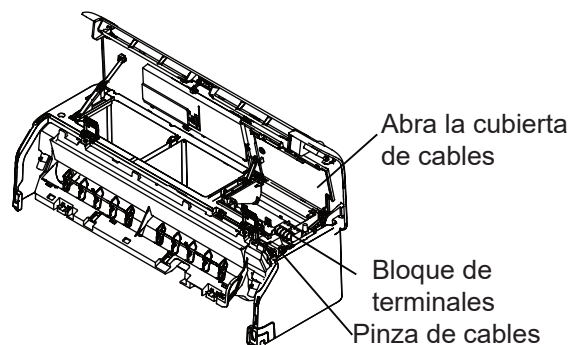
⚠ ADVERTENCIA

TODO EL CABLEADO DEBE REALIZARSE Estrictamente de acuerdo con el DIAGRAMA DE CABLEADO SITUADO EN LA PARTE TRASERA DEL PANEL FRONTAL DE LA UNIDAD INTERIOR.

5. Introduzca el cable de señal a través de este orificio, desde la parte trasera de la unidad a la delantera.
6. Mirando a la parte delantera de la unidad, conecte el cable de acuerdo con el diagrama de cableado de la unidad interior, conecte la lengüeta en U y atornille firmemente cada cable a su terminal correspondiente.



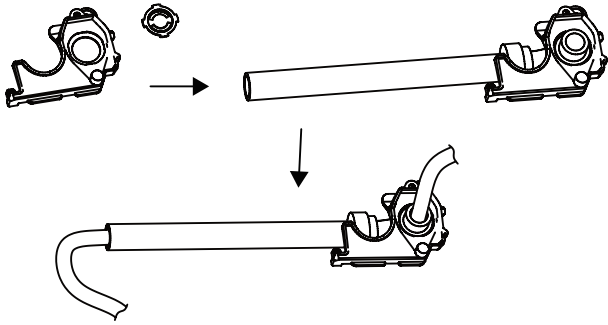
Primero abra el panel frontal, luego retire el panel inferior.



AVISO: Si el tamaño del cable es muy grande, quite el panel extraíble pequeño de plástico para crear un espacio a través del cual el cable puede salir. Si desea quitar el chasis o la manguera de drenaje, primero retire el deflector de ratas.

En Norteamérica

Primero quite el panel extraíble para crear un espacio a través del cual el tubo de conducción se pueda instalar. Luego, pase el cable a través del tubo de conducción y conéctelo a la unidad interior.



⚠ PRECAUCIÓN

NO MEZCLE CABLES CON CARGA Y SIN CARGA

Esto es peligroso y puede causar averías en el aire acondicionado.

- Tras comprobar todas las conexiones para asegurarse de que sean correctas, utilice la pinza de cables para fijar el cable de señal a la unidad. Atornille firmemente la pinza de cables.
- Vuelva a colocar la cubierta de cables en la parte delantera de la unidad, y el panel de plástico en la parte trasera.

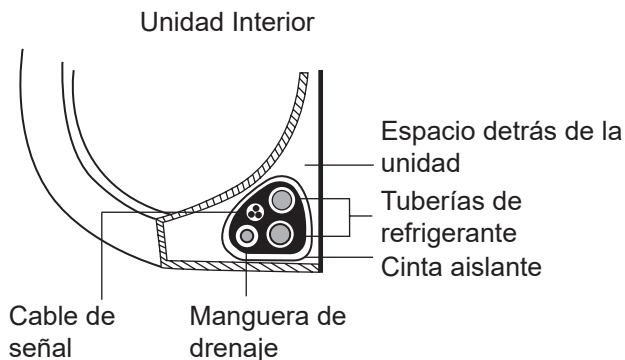
⚠ AVISO SOBRE EL CABLEADO

EL PROCESO DE CONEXIÓN DEL CABLEADO PODRÍA DIFERIR LIGERAMENTE SEGÚN LAS UNIDADES Y LAS REGIONES.

Paso 7: Enrollar tubería y cables.

Antes de pasar las tuberías, la manguera de drenaje y el cable de señal a través del agujero de la pared, debe agruparlos para ahorrar espacio, protegerlos y aislarlos (No aplicable en algunos lugares de EE.UU).

- Agrupe la manguera de drenaje, las tuberías de refrigerante y el cable de señal como se muestra a continuación:



LA MANGUERA DE DRENAJE DEBE ESTAR EN LA PARTE INFERIOR

Asegúrese de que la manguera de drenaje esté en la parte inferior del conjunto. Colocar la manguera de drenaje en la parte superior del conjunto puede causar que la bandeja de drenaje se desborde, lo que puede provocar incendios o daños por agua.

NO ENTRELACE EL CABLE DE SEÑAL CON OTROS CABLES

Al agrupar estos objetos, no entrelace o cruce el cable de señal con ningún otro cable.

- Utilizando cinta adhesiva de vinilo, fije la manguera de drenaje a la parte inferior de las tuberías de refrigerante.
- Utilizando cinta aislante, enrolle firmemente el cable de señal, las tuberías de refrigerante y la manguera de drenaje. Revise de nuevo que todos los objetos estén agrupados.

NO ENROLLE LOS EXTREMOS DE LAS TUBERÍAS

Al agrupar el conjunto, mantenga los extremos de las tuberías sin envolver. Necesita acceder a ellos para realizar la revisión de fugas al final del proceso de instalación (consulte la sección **Revisiones Eléctricas y de Fugas** de este manual).

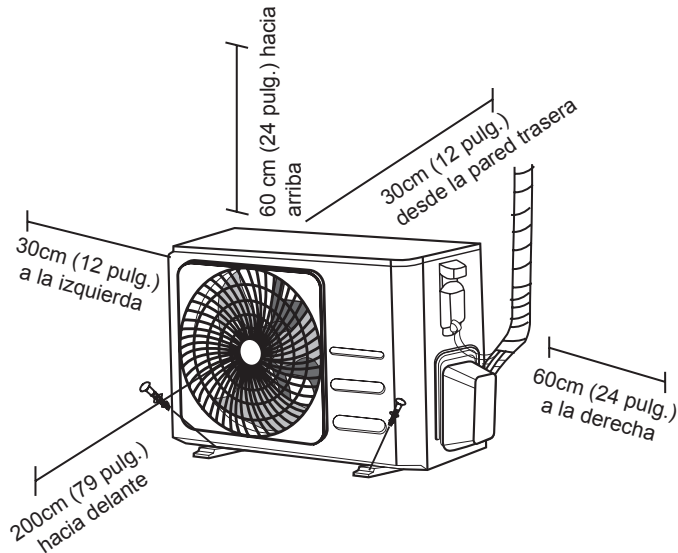
Paso 8: Instalar la unidad interior

Si ha instalado nuevas tuberías de conexión a la unidad exterior, haga lo siguiente:

- Si ya ha pasado las tuberías de refrigerante a través del orificio de la pared, proceda con el Paso 4.
- En caso contrario, compruebe de nuevo que los extremos de las tuberías de refrigerante estén sellados para evitar que entren suciedad u objetos extraños en las tuberías.
- Pase lentamente el conjunto enrollado de tuberías de refrigerante, manguera de drenaje y cable de señal a través del agujero de la pared.
- Enganche la parte superior de la unidad interior en el gancho superior de la placa de montaje.
- Compruebe que la unidad esté enganchada firmemente a la placa de montaje aplicando una ligera presión en los lados derecho e izquierdo de la unidad. La unidad no debería menearse ni desplazarse.
- Utilizando una presión uniforme, presione hacia abajo la mitad inferior de la unidad. Siga presionando hasta encajar la unidad en los ganchos de la parte inferior de la placa de montaje.
- Compruebe de nuevo que la unidad esté instalada firmemente aplicando una ligera presión en los lados derecho e izquierdo de la unidad.

Instalación de Unidad Exterior

Instale la unidad siguiendo los códigos y las regulaciones locales, podrían ser ligeramente diferentes entre distintas regiones.



Instrucciones de Instalación - Unidad Exterior

Paso 1: Seleccionar la ubicación de instalación

Antes de instalar la unidad exterior, debe elegir el lugar adecuado. Aquí tiene unas condiciones que le ayudarán a elegir una ubicación adecuada para la unidad.

Los lugares de instalación adecuados deben cumplir las siguientes condiciones:

- Cumple todos los requerimientos de espacio mostrados en los Requerimientos de Espacio de la Instalación mostrados anteriormente
- Buena circulación de aire y ventilación
- Firme y resistente — un lugar que puede soportar la unidad y no vibra
- El ruido de la unidad no molesta a otros
- Protegido contra luz solar directa o lluvia por largo tiempo
- Cuando se prevean nevadas, tomar las medidas adecuadas para evitar la acumulación de hielo y el daño de la bobina.

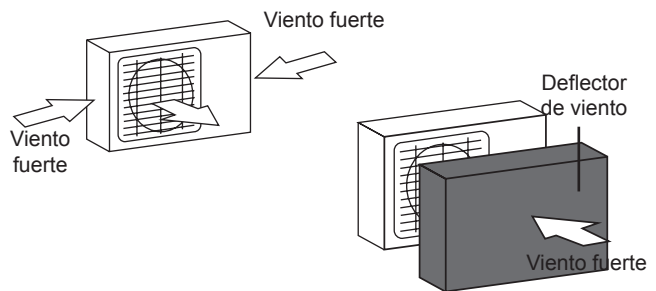
NO instale la unidad en los siguientes lugares:

- ⊘ Cerca de un obstáculo que bloquee las entradas y salidas de aire
- ⊘ Cerca de una calle pública, zonas con mucha gente o lugares en los que el ruido de la unidad pueda molestar a otros
- ⊘ Cerca de animales o plantas a los que perjudique el flujo de aire caliente
- ⊘ Cerca de cualquier fuente de gas combustible
- ⊘ En un lugar expuesto a grandes cantidades de polvo
- ⊘ En un lugar expuesto a cantidades excesivas de aire salino

CONSIDERACIONES ESPECIALES PARA CLIMA EXTREMO

Si la unidad está expuesta a viento fuerte:

Instale la unidad de forma que el ventilador de salida de aire esté en un ángulo de 90° respecto a la dirección del viento. Si es necesario, construya una barrera delante de la unidad para protegerla contra vientos extremadamente fuertes. Vea las siguientes imágenes.



Si la unidad está expuesta frecuentemente a lluvia fuerte o nieve:

Construya un cobertizo sobre la unidad para protegerla contra la lluvia o la nieve. Tenga cuidado de no obstruir el flujo de aire alrededor de la unidad.

Si la unidad está expuesta frecuentemente a aire salino (costa):

Utilice una unidad exterior diseñada especialmente para resistir la corrosión.

Paso 2: Instalar la junta de drenaje (solo en la unidad con bomba de calor)

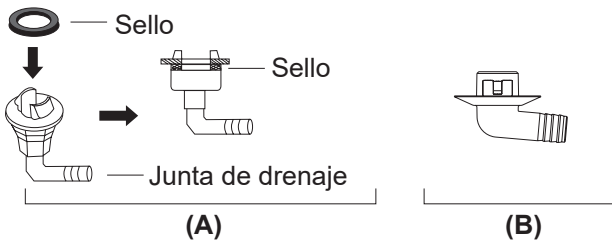
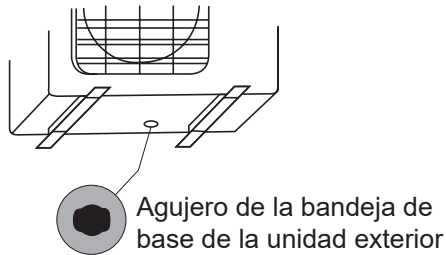
Antes de atornillar la unidad exterior en su posición, debe instalar la junta de drenaje en la parte inferior de la unidad. Tenga en cuenta que hay dos tipos diferentes de juntas de drenaje, dependiendo del tipo de unidad exterior.

Si la junta de drenaje viene con un sello de goma (ver Imagen A), haga lo siguiente:

1. Encaje el sello de goma en el extremo de la junta de drenaje que conectará a la unidad exterior.
2. Inserte la junta de drenaje en el agujero de la bandeja base de la unidad.
3. Gire la junta de drenaje por 90° hasta encajarla en su lugar dando cara a la parte frontal de la unidad.
4. Conecte un alargador de manguera de drenaje (no incluido) a la junta de drenaje para redirigir el agua de la unidad durante el modo de calefacción.

Si la junta de drenaje no viene con un sello de goma (ver Imagen B), haga lo siguiente:

1. Inserte la junta de drenaje en el agujero de la bandeja base de la unidad. La junta de drenaje quedará encajada en su sitio.
2. Conecte un alargador de manguera de drenaje (no incluido) a la junta de drenaje para redirigir el agua de la unidad durante el modo de calefacción.

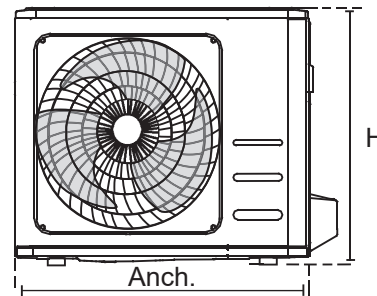
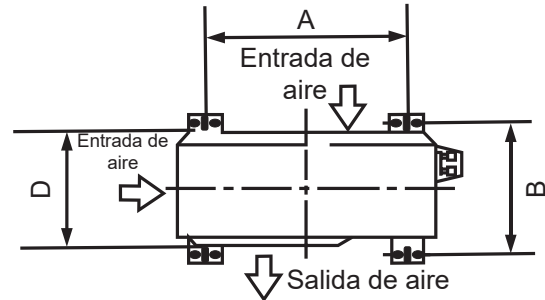


Paso 3: Anclar la unidad exterior.

Se puede anclar la unidad exterior al suelo o a un soporte instalado en pared con pernos (M10). Prepare la base de instalación de la unidad de acuerdo con las siguientes dimensiones.

DIMENSIONES DE MONTAJE DE LA UNIDAD

A continuación hay una lista con diferentes tamaños de unidades exteriores y la distancia entre sus pies de montaje. Prepare la base de instalación de la unidad de acuerdo con las siguientes medidas.



! EN CLIMAS FRÍOS

En climas fríos, asegúrese de que la manguera de drenaje esté tan vertical como sea posible para garantizar un rápido drenaje de agua. Si el agua se drena lentamente, puede congelarse en la manguera e inundar la unidad.

Dimensiones de la unidad exterior (mm) Alt. × Anch. × Pro.	Dimensiones de Montaje	
	Distancia A (mm)	Distancia B (mm)
681 × 434 × 285 (26,8" × 17,1" × 11,2")	460 (18,1")	292 (11,5")
700 × 550 × 270 (27,5" × 21,6" × 10,6")	450 (17,7")	260 (10,2")
700 × 550 × 275 (27,5" × 21,6" × 10,8")	450 (17,7")	260 (10,2")
720 × 495 × 270 (28,3" × 19,5" × 10,6")	452 (17,8")	255 (10,0")
728 × 555 × 300 (28,7" × 21,8" × 11,8")	452 (17,8")	302 (11,9")
765 × 555 × 303 (30,1" × 21,8" × 11,9")	452 (17,8")	286 (11,3")
770 × 555 × 300 (30,3" × 21,8" × 11,8")	487 (19,2")	298 (11,7")
805 × 554 × 330 (31,7" × 21,8" × 12,9")	511 (20,1")	317 (12,5")
800 × 554 × 333 (31,5" × 21,8" × 13,1")	514 (20,2")	340 (13,4")
845 × 702 × 363 (33,3" × 27,6" × 14,3")	540 (21,3")	350 (13,8")
890 × 673 × 342 (35,0" × 26,5" × 13,5")	663 (26,1")	354 (13,9")
946 × 810 × 420 (37,2" × 31,9" × 16,5")	673 (26,5")	403 (15,9")
946 × 810 × 410 (37,2" × 31,9" × 16,1")	673 (26,5")	403 (15,9")

Si instala la unidad en el suelo o en una plataforma de montaje de hormigón, haga lo siguiente:

1. Marque las posiciones para cuatro pernos de expansión según la tabla de dimensiones.
2. Pretaladre orificios para los pernos de expansión.
3. Coloque una tuerca en el extremo de cada perno de expansión.
4. Martillee los pernos de expansión en los orificios pretaladrados.
5. Retire las tuercas de los pernos de expansión, y coloque la unidad exterior en los pernos.
6. Ponga una arandela en cada perno de expansión y, a continuación, vuelva a colocar las tuercas.
7. Usando una llave, apriete cada tuerca hasta ajustarla.



ADVERTENCIA

AL TALADRAR ENTRE HORMIGÓN, ES RECOMENDABLE UTILIZAR PROTECCIÓN PARA LOS OJOS EN TODO MOMENTO.

Si instala la unidad en un soporte de pared, haga lo siguiente:



PRECAUCIÓN

Asegúrese de que la pared esté hecha de ladrillo, hormigón o materiales similares resistentes. **La pared debe ser capaz de soportar al menos el cuádruple del peso de la unidad.**

1. Marque las posiciones de orificios del soporte según la tabla de dimensiones.
2. Pretaladre los orificios para los pernos de expansión.
3. Coloque una arandela y una tuerca en el extremo de cada perno de expansión.
4. Enrosque los pernos de expansión a través de los orificios de los soportes de instalación, ponga los soportes de montaje en posición, y martillee los pernos de expansión en la pared.
5. Compruebe que los soportes de montaje estén nivelados.
6. Levante la unidad con cuidado y coloque sus pies de montaje en los soportes.
7. Atornille firmemente la unidad a los soportes.
8. Si es posible, instale la unidad con juntas de goma para reducir las vibraciones y el ruido.

Paso 4: Conectar los cables de señal y de alimentación

El bloque de terminales de la unidad exterior está protegido por una cubierta de cableado eléctrico en el lateral de la unidad. Un diagrama de cableado completo está impreso en el interior de la cubierta de cableado.



ADVERTENCIA

ANTES DE REALIZAR CUALQUIER TAREA ELÉCTRICA O CON EL CABLEADO, APAGUE LA CORRIENTE DEL SISTEMA.

1. Preparar el cable para la conexión:

UTILICE EL CABLE CORRECTO

Seleccione el cable correcto consultando "Tipos de cables" en la página 25.

ELEGIR EL TAMAÑO CORRECTO DEL CABLE

El tamaño del cable de alimentación, cable de señal, fusible e interruptor está determinado por la corriente máxima de la unidad. La corriente máxima está indicada en la placa situada en el panel lateral de la unidad.

NOTA: En América Septentrional, elija el tamaño de cable correcto de acuerdo con la Ampacidad Mínima del Circuito indicada en la placa de identificación de la unidad.

- a. Utilizando un pelacables, retire la cubierta de goma de ambos extremos del cable para descubrir unos 40 mm (1,57 pulg.) del hilo interior.
- b. Retire el aislante de los extremos de los cables.
- c. Utilizando un engarzador de cables, engarce lengüetas en U en los extremos de los cables.

PRESTE ATENCIÓN AL CABLE BAJO TENSIÓN

Al crimpar cables, asegúrese de distinguir claramente el cable Fase ("L") bajo tensión, de otros cables.

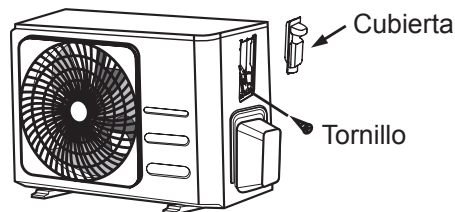


ADVERTENCIA

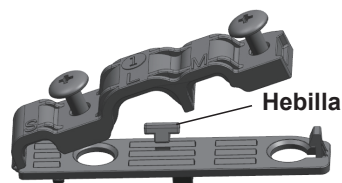
TODO EL TRABAJO DE CABLEADO SE DEBE REALIZAR ESTRICTAMENTE DE ACUERDO CON EL DIAGRAMA DE CABLEADO QUE SE ENCUENTRA DENTRO LA CUBIERTA DEL CABLE DE LA UNIDAD EXTERIOR.

2. Desatornille la cubierta de cableado eléctrico y retírela.
3. Desatornille la pinza de cables bajo el bloque de terminales y colóquela a un lado.
4. Conecte el cable según el diagrama de cableado, y atornille firmemente la lengüeta en U de cada cable a su terminal correspondiente.
5. Tras comprobar que todas las conexiones estén bien aseguradas, enlace los cables para evitar que el agua de la lluvia entre en el terminal.

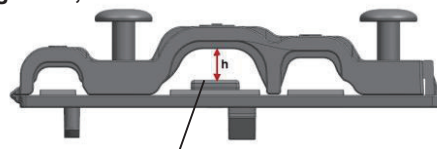
6. Utilizando la pinza de cables, fije el cable a la unidad. Atornille firmemente la pinza de cables.
7. Aísle los cables no utilizados con cinta eléctrica de PVC. Dispóngalos de forma que no toquen partes eléctricas o metálicas.
8. Vuelva a colocar la cubierta de cableado en el lateral de la unidad, y atorníllela en su sitio.



NOTA: Si la abrazadera del cable tiene el siguiente aspecto, seleccione el orificio pasante adecuado de acuerdo con el diámetro del cable.



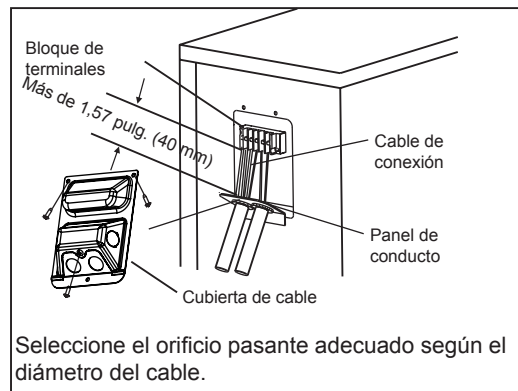
Agujero de tres tamaños: Pequeño, grande, mediano



Cuando el cable no esté lo suficientemente fijado, sosténgalo con una hebilla, de modo que pueda sujetarse firmemente.

En Norteamérica

1. Retire la cubierta de cableado de la unidad aflojando los 3 tornillos.
2. Desmonte las tapas del panel de conducto.
3. Instale temporalmente los tubos de conducto (no incluidos) en el panel de conducto.
4. Conecte correctamente las líneas de suministro de alimentación y de bajo voltaje a los terminales correspondientes del bloque de terminales.
5. Conecte la unidad a tierra de acuerdo con las normativas locales.
6. Asegúrese de medir cada cable dejando varias pulgadas de más respecto a la longitud requerida para cablear.
7. Utilice tuercas de bloqueo para asegurar los tubos de conducto.



Seleccione el orificio pasante adecuado según el diámetro del cable.

Conexión de las Tuberías de Refrigerante

Al conectar tuberías de refrigerante, **no** deje que entren en el sistema otras sustancias o gases que no sean los especificados. La presencia de otros gases o sustancias disminuirá la capacidad de la unidad, y puede causar una presión inusualmente alta en el ciclo de refrigeración. Esto puede causar explosiones y lesiones.

Aviso sobre la Longitud del Tubo

La longitud de las tuberías de refrigerante afectará al rendimiento y a la eficiencia energética de la unidad. La eficiencia nominal está probada en unidades con un tubo de 5 metros (16,5 pies) de longitud (en Norte América, la longitud estándar del tubo es de 7,5m (25'). Se requiere una longitud de tubería mínima de 3 metros para minimizar la vibración y el ruido excesivos. En zonas tropicales especiales, para los modelos de refrigerante R290, no se puede añadir refrigerante y la longitud máxima del tubo de refrigerante no debe superar 10 metros (32,8 pies). Consulte en la siguiente tabla las especificaciones sobre longitud máxima y altura de caída de las tuberías.

Longitud y Altura de Caída Máximas de las Tuberías de Refrigerante por Modelo de Unidad

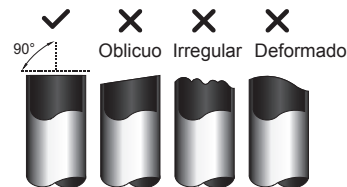
Modelo	Capacidad (Btu/h)	Longitud máx. (m)	Altura de caída máx. (m)
Aire Acondicionado Split Inverter R410A, R32	< 15.000	25 (82 pies)	10 (33 pies)
	≥ 15.000 y < 24.000	30 (98,5 pies)	20 (66 pies)
	≥ 24.000 y < 36.000	50 (164 pies)	25 (82 pies)
Aire acondicionado Split de velocidad fija R22	< 18.000	10 (33 pies)	5 (16 pies)
	≥ 18.000 y < 21.000	15 (49 pies)	8 (26 pies)
	≥ 21.000 y < 35.000	20 (66 pies)	10 (33 pies)
Aire acondicionado Split de velocidad fija R410A	< 18.000	20 (66 pies)	8 (26 pies)
	≥ 18.000 y < 36.000	25 (82 pies)	10 (33 pies)

Instrucciones de Conexión - Tuberías de Refrigerante

Paso 1: Cortar los tubos

Al preparar los tubos de refrigerante, tenga especial cuidado de cortarlos y ensancharlos correctamente. Esto asegurará un funcionamiento eficiente y minimizará la necesidad de mantenimiento posterior.

1. Mida la distancia entre las unidades interior y exterior.
2. Utilizando un cortador de tubos, corte el tubo para que sea un poco más largo que la distancia medida.
3. Asegúrese de que el tubo esté cortado en un ángulo de 90° perfecto.



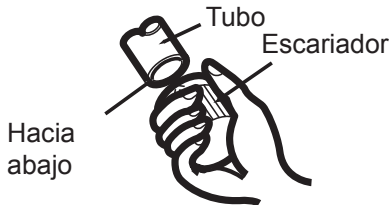
NO DEFORME EL TUBO AL CORTARLO

Tenga especial cuidado de no dañar, abollar o deformar el tubo al cortarlo. Esto reducirá drásticamente la eficacia de calefacción de la unidad.

Paso 2: Retirar rebabas

Las rebabas pueden afectar al sellado hermético de la conexión de las tuberías de refrigerante. Deben ser retiradas por completo.

1. Sujete el tubo en un ángulo descendente para evitar que caigan rebabas en el tubo.
2. Utilizando un escariador o una herramienta de desbarbado, retire todas las rebabas de la sección del corte del tubo.

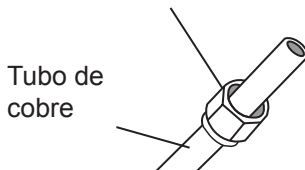


Paso 3: Ensachar los extremos de los tubos

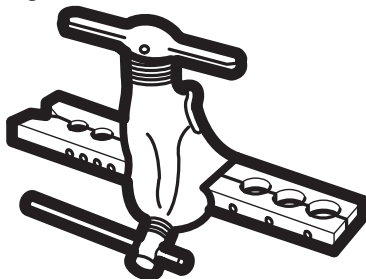
Es esencial el uso de un corte por calor adecuado para lograr un sello hermético.

1. Tras retirar las rebabas del tubo cortado, selle los extremos con cinta de PVC para evitar que entren objetos extraños en el tubo.
2. Forre el tubo con material aislante.
3. Coloque tuercas abocinadas en ambos extremos del tubo. Asegúrese de que estén orientadas en la dirección correcta, ya que no se puede colocar ni cambiar de sentido tras el ensanchamiento.

Tuerca acampanada



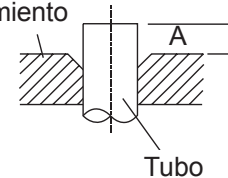
4. Retire la cinta de PVC de los extremos del tubo cuando esté listo para realizar el ensanchamiento.
5. Sujete el molde de ensanchamiento en el extremo del tubo. El extremo del tubo debe prolongarse más allá del borde del molde de ensanchamiento de acuerdo con las dimensiones mostradas en la siguiente tabla.



PROLONGACIÓN DE TUBERÍA MÁS ALLÁ DEL MOLDE DE ENSANCHAMIENTO

Diámetro Exterior del Tubo (mm)	A (mm)	
	Mín.	Máx.
ø6,35 (ø0,25")	0,7 (0,0275")	1,3 (0,05")
ø9,52 (ø0,375")	1,0 (0,04")	1,6 (0,063")
ø12,7 (ø0,5")	1,0 (0,04")	1,8 (0,07")
ø16 (ø0,63")	2,0 (0,078")	2,2 (0,086")
ø19 (ø0,75")	2,0 (0,078")	2,4 (0,094")

Molde de ensanchamiento



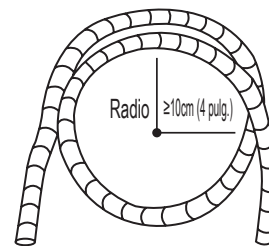
6. Coloque la herramienta de ensanchamiento en el molde.
7. Gire el asa de la herramienta de ensanchamiento en el sentido horario hasta que el tubo esté completamente ensanchado.
8. Retire la herramienta y el molde de ensanchamiento, y revise si hay grietas en el extremo del tubo y si el ensanchamiento es uniforme.

Paso 4: Conectar tubos.

Al conectar tubos de refrigerante, tenga cuidado de no usar par excesivo o deformar el tubo en modo alguno. Debe conectar primero el tubo de baja presión y después el tubo de alta presión.

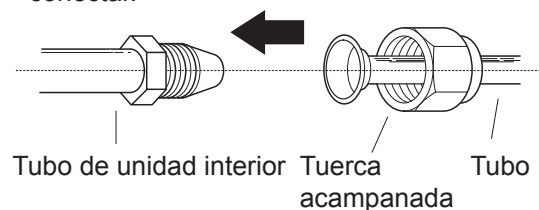
RADIO MÍNIMO DE CURVATURA

Al doblar tubos conectores de refrigerante, el radio mínimo de curvatura es de 10 cm.

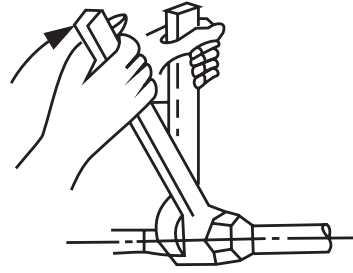


Instrucciones para Conectar las Tuberías a la Unidad Interior

1. Alinee el centro de los dos tubos que va a conectar.



2. Apriete manualmente la tuerca acampanada lo máximo posible.
3. Utilizando una llave, agarre la tuerca en el tubo de la unidad.
4. Sujetando firmemente la tuerca en el tubo de la unidad, use una llave de par para apretar la tuerca acampanada según los valores de par de la siguiente tabla de **Requerimientos de Par**. Afloje ligeramente la tuerca acampanada y vuelva a apretarla.



REQUERIMIENTOS DE PAR

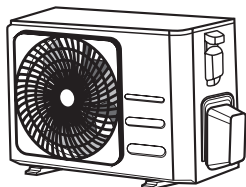
Diámetro Exterior del Tubo (mm)	Par de Apriete (N•m)	Dimensiones del ensanche (B) (mm)	Forma del ensanche
ø6,35 (ø0,25")	18~20 (180~200kgf.cm)	8,4~8,7 (0,33~0,34")	
ø9,52 (ø0,375")	32~39 (320~390kgf.cm)	13,2~13,5 (0,52~0,53")	
ø12,7 (ø0,5")	49~59 (490~590kgf.cm)	16,2~16,5 (0,64~0,65")	
ø16 (ø0,63")	57~71 (570~710kgf.cm)	19,2~19,7 (0,76~0,78")	
ø19 (ø0,75")	67~101 (670~1010kgf.cm)	23,2~23,7 (0,91~0,93")	

NO UTILICE UN PAR EXCESIVO

Una fuerza excesiva puede romper la tuerca o dañar la tubería de refrigerante. No debe exceder los requerimientos de par mostrados en la tabla anterior.

Instrucciones para Conectar las Tuberías a la Unidad Exterior

1. Desatornille la cubierta de la válvula embalada en el lado de la unidad exterior.
2. Retire los tapones de protección de los extremos de las válvulas.
3. Alinee el extremo de tubo ensanchado con cada válvula, y apriete manualmente la tuerca acampanada lo máximo posible.
4. Con una llave agarre el cuerpo de la válvula. No tome las tuercas que sellan la válvula de servicio.
5. Mientras sujeta firmemente el cuerpo de la válvula, utilice una llave de par para apretar la tuerca acampanada según los valores de par correctos.
6. Afloje ligeramente la tuerca acampanada y vuelva a apretarla.
7. Repita los Pasos 3 a 6 con el tubo restante.

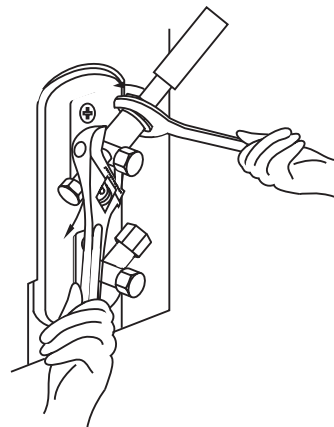


Cubierta de la válvula

5. Mientras sujeta firmemente el cuerpo de la válvula, utilice una llave de par para apretar la tuerca acampanada según los valores de par correctos.

UTILICE UNA LLAVE PARA SUJETAR EL CUERPO PRINCIPAL DE LA VÁLVULA

El par de apriete de la tuerca acampanada puede romper otras partes de la válvula.



Evacuación de Aire

Preparaciones y Precauciones

El aire y las materias extrañas en el circuito de refrigerante pueden causar subidas de presión anormales que pueden dañar el aire acondicionado, reducir su eficiencia y causar lesiones. Utilice una bomba de vacío y un manómetro para evacuar el circuito de refrigerante, retirando cualquier gas no condensable y la humedad del sistema.

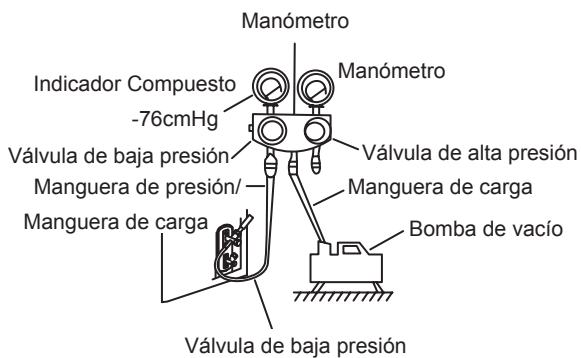
La evacuación debe realizarse tras la instalación inicial y cuando la unidad es recolocada.

ANTES DE REALIZAR LA EVACUACIÓN

- Compruebe para asegurarse de que los tubos de conexión entre las unidades interior y exterior están bien conectados.
- Compruebe para asegurarse de que todo el cableado está conectado correctamente.

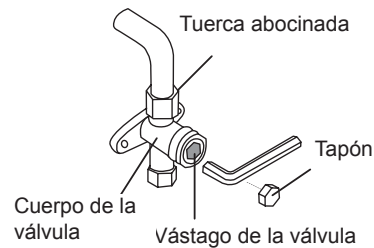
Instrucciones de Evacuación

1. Conecte la manguera de carga del manómetro al puerto de servicio de la válvula de baja presión de la unidad exterior.
2. Conecte otra manguera de carga del manómetro a la bomba de vacío.
3. Abra el lado de baja presión del manómetro. Mantenga cerrado el lado de alta presión.
4. Encienda la bomba de vacío para evacuar el sistema.
5. Haga funcionar el vacío durante al menos 15 minutos, o hasta que el indicador compuesto marque -76 cmHg (-10^5 Pa).



6. Cierre el lado de baja presión del manómetro y apague la bomba de vacío.
7. Espere 5 minutos y compruebe que no haya habido cambios en el sistema de presión.

8. Si hay un cambio en la presión del sistema, consulte la información sobre cómo revisar fugas en la sección Revisión de Fugas de Gas. Si no hay cambios en la presión del sistema, desenrosque la tapa de la válvula empaquetada (válvula de alta presión).
9. Inserte una llave hexagonal en la válvula embalada (válvula de alta presión) y abra la válvula girando la llave un cuarto de vuelta en sentido anti-horario. Escuche que sale el gas del sistema y, a continuación, cierre la válvula tras 5 segundos.
10. Observe el manómetro durante un minuto para asegurarse de que no haya cambios de presión. La presión del manómetro debería ser ligeramente superior a la presión atmosférica.
11. Retire la manguera de carga del puerto de servicio.



12. Utilizando una llave hexagonal, abra por completo las válvulas de alta presión y baja presión.
13. Apriete manualmente los tapones de las tres válvulas (puerto de servicio, alta presión, baja presión). Si es necesario, puede apretarlos más utilizando una llave de par.

! ABRA SUAVEMENTE EL VÁSTAGO DE LA VÁLVULA

Al abrir el vástago de la válvula, gire la llave hexagonal hasta que choque con el tope. NO intente forzar la válvula para abrirla más.

Aviso sobre Añadir Refrigerante

Algunos sistemas requieren una carga adicional dependiendo de la longitud de los tubos. La longitud estándar del tubo varía según las regulaciones locales. Por ejemplo, en Norteamérica, la longitud estándar del tubo es de 7,5 m (25').

En otras zonas la longitud estándar del tubo es de 5 m (16'). El refrigerante debe cargarse desde el puerto de servicio de la válvula de baja presión de la unidad exterior. El refrigerante adicional a cargar puede calcularse usando la siguiente fórmula:

REFRIGERANTE ADICIONAL POR LONGITUD DE TUBO

Longitud de Tubo de Conexión (m)	Método de Purgado de Aire	Refrigerante Adicional	
≤ Longitud Estándar del Tubo	Bomba de Vacío	N/A	
> Longitud Estándar del Tubo	Bomba de vacío	Lado de líquido: ø6,35 (ø0,25") R32: (Longitud del tubo – longitud estándar) x 12 g/m (Longitud del tubo – longitud estándar) x 0,13 oz/ft R290: (Longitud del tubo – longitud estándar) x 10g/m (Longitud del tubo – longitud estándar) x 0,10 oz/ft R410A: (Longitud del tubo – longitud estándar) x 15g/m (Longitud del tubo – longitud estándar) x 0,16oz/m R22: (Longitud del tubo – longitud estándar) x 20g/m (Longitud del tubo – longitud estándar) x 0,21 oz/ft	Lado de líquido: ø9,52 (ø0,375") R32: (Longitud del tubo – longitud estándar) x 24g/m (Longitud del tubo – longitud estándar) x 0,26 oz/ft R290: (Longitud del tubo – longitud estándar) x 18g/m (Longitud del tubo – longitud estándar) x 0,19 oz/ft R410A: (Longitud del tubo – longitud estándar) x 30g/m (Longitud del tubo – longitud estándar) x 0,32 oz/ft R22: (Longitud del tubo – longitud estándar) x 40g/m (Longitud del tubo – longitud estándar) x 0,42 oz/ft

Para la unidad de refrigerante R290, la cantidad total de refrigerante a cargar es no más de: 387 g (≤ 9000 Btu/h), 447 g (> 9000 Btu/h y ≤ 12000 Btu/h), 547 g (> 12000 Btu/h y ≤ 18000 Btu/h), 632 g (> 18000 Btu/h y ≤ 24000 Btu/h).



PRECAUCIÓN **NO** mezcle tipos de refrigerantes.

Revisiones de Fugas Eléctricas y de Gas

Antes de la Prueba de Funcionamiento

Realice la prueba de funcionamiento solo cuando haya completado los siguientes pasos:

- **Revisiones de Seguridad Eléctrica** – Confirme que el sistema eléctrico de la unidad es seguro y funciona correctamente
- **Chequeo de escape de gas** – Revise todas las conexiones con tuercas y confirme que el sistema no tiene escape
- Confirme que las válvulas de gas y líquido (alta y baja presión) estén completamente abiertas

Revisiones de Seguridad Eléctrica

Después de la instalación, confirme que todo el cableado eléctrico está instalado de acuerdo con las regulaciones locales y nacionales, y de acuerdo con el Manual de Instrucciones.

ANTES DE LA PRUEBA DE FUNCIONAMIENTO

Revisiones de Conexión a Tierra

Mida la resistencia de conexión a tierra de forma visual y con un probador de resistencia de conexión a tierra. La resistencia de conexión a tierra debe ser inferior a 0,1 Ω .

Aviso: Puede que esto no sea requerido en algunos lugares de E.E.U.U..

DURANTE LA PRUEBA DE FUNCIONAMIENTO

Revisión de Fugas Eléctricas

Durante la **Prueba de Funcionamiento**, utilice un electroscopio y un multímetro para realizar una prueba de fugas eléctricas integral.

Si detecta fugas eléctricas, apague inmediatamente la unidad y llame a un electricista certificado para que encuentre y solucione la causa de la fuga.

Aviso: Puede que esto no sea requerido en algunos lugares de E.E.U.U..

ADVERTENCIA - RIESGO DE DESCARGAS ELÉCTRICAS

TODO EL CABLEADO DEBE CUMPLIR CON LOS CÓDIGOS ELÉCTRICOS LOCALES Y NACIONALES, Y DEBE SER INSTALADO POR UN ELECTRICISTA CERTIFICADO.

Revisiones de Fugas de Gas

Hay dos métodos diferentes para revisar las fugas de gas.

Método de Agua y Jabón

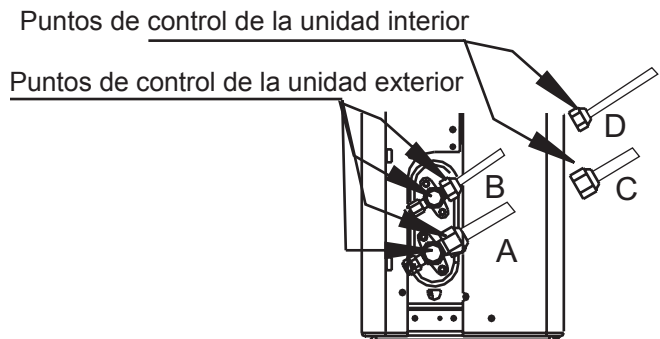
Utilizando un cepillo suave, aplique agua enjabonada o detergente líquido en todos los puntos de conexión de los tubos de las unidades interior y exterior. La presencia de burbujas indica una fuga.

Método de Detector de Fugas

Si utiliza un detector de fugas, consulte las instrucciones de uso adecuadas en el manual de operación del dispositivo.

DESPUÉS DE REALIZAR REVISIONES DE FUGAS DE GAS

Tras confirmar que todos los puntos de conexión de los tubos NO tienen fugas, vuelva a colocar la cubierta de la válvula en la unidad exterior.



- A: Válvula de cierre de baja presión
- B: Válvula de cierre de alta presión
- C & D: Tuercas acampanadas de unidad interior

Prueba de Funcionamiento

Instrucciones de la Prueba de Funcionamiento

Debe realizar la **Prueba de Funcionamiento** durante al menos 30 minutos.

1. Conecte la alimentación a la unidad.
2. Pulse el botón **ON/OFF (ENCENDIDO/ APAGADO)** del control remoto para encenderla.
3. Pulse el botón **MODE (MODO)** para desplazarse por las siguientes funciones, una a cada vez:
 - **COOL (REFRIGERACIÓN)**– Seleccione la temperatura más baja posible
 - **HEAT (CALEFACCIÓN)** – Seleccione la temperatura más alta posible
4. Deje funcionar cada función durante 5 minutos, y realice las siguientes revisiones:

Lista de Revisiones a Realizar	APROBADA/ NO APROBADA	
No hay fugas eléctricas		
La unidad está bien conectada a tierra		
Todos los terminales eléctricos están bien cubiertos		
Las unidades interior y exterior están instaladas firmemente		
No hay fugas en ningún punto de conexión de tubos	Exterior (2):	Interior (2):
El agua drena bien desde la manguera de drenaje		
Todas las tuberías están bien aisladas		
La unidad realiza la función COOL (REFRIGERACIÓN) correctamente		
La unidad realiza la función HEAT (CALEFACCIÓN) correctamente		
Las láminas de la unidad interior rotan bien		
La unidad interior responde al control remoto		

DOBLE REVISIÓN DE LAS CONEXIONES DE LOS TUBOS

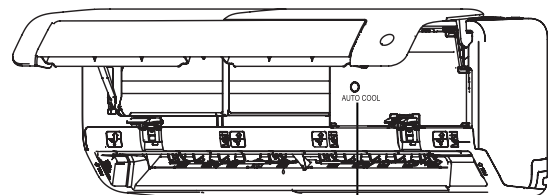
Durante el funcionamiento, la presión del circuito de refrigerante aumentará. Esto puede revelar escape que no existía durante la revisión inicial. Tómese el tiempo durante la Prueba de Funcionamiento para realizar una doble revisión de que todos los puntos de conexión de tubos de refrigerantes no tengan escape. Consulte la sección **Verificación de Escape de Gas** para más instrucciones.

5. Después que se complete con éxito la Prueba de Funcionamiento y confirme que todos los puntos de revisión en la lista se han aprobado, haga lo siguiente:
 - a. Utilice el control remoto, retorne la unidad a la temperatura de funcionamiento normal.
 - b. Utilice cinta aislante, envuelva los tubos de conexión de refrigerante interior que haya dejado al descubierto durante el proceso de instalación de unidad interior.

SI LA TEMPERATURA AMBIENTAL ES INFERIOR A 17°C (62°F)

No puede usar el mando a distancia para encender la función **COOL** cuando la temperatura ambiental es inferior a 17°C. En este caso, puede usar el botón **MANUAL CONTROL (CONTROL MANUAL)** para probar la función **COOL**.

1. El botón **MANUAL CONTROL (CONTROL MANUAL)** está situado en el lado derecho de la unidad.
2. Pulse el botón 2 veces para seleccionar la función **COOL (REFRIGERACIÓN)**.
3. Realice la prueba de funcionamiento con normalidad.



Botón de control manual

Embalaje y desembalaje de la unidad

Instrucciones de embalaje y desembalaje de la unidad:

Desembalaje:

Unidad interior:

1. Corte la cinta de sellado en la caja con un cuchillo, realice un corte a la izquierda, un corte en el medio y un corte a la derecha.
2. Utilice tornillo de banco para extraer el clavo de sellado en la parte superior de la caja de cartón.
3. Abra el cartón.
4. Saque la placa de soporte del medio si hay.
5. Saque el paquete de accesorios y el cable de conexión si hay.
6. Saque la máquina de la caja de cartón y colóquela en un lugar plana.
7. Retire la espuma del paquete de la izquierda y la derecha o la espuma de embalaje superior e inferior, desate la bolsa de embalaje.

Unidad Exterior

1. Corte la cinta de embalaje.
2. Saque la máquina de la caja de cartón.
3. Retire la espuma de la unidad.
4. Retire la bolsa de embalaje de la unidad

Embalaje:

Unidad interior:

1. Coloque la unidad interior en la bolsa de embalaje.
2. Coloque la espuma de embalaje izquierda y derecha o la espuma de embalaje superior e inferior en la unidad.
3. Coloque la unidad en la caja de cartón y luego ponga el paquete de accesorios.
4. Cierre la caja a través de usar cinta para sellarla.
5. Utilice la cinta de embalaje si es necesario.

Unidad exterior

1. Coloque la unidad exterior en la bolsa de embalaje.
2. Coloque la espuma inferior en la caja.
3. Coloque la unidad en la caja de cartón, y luego coloque la espuma de embalaje superior en la unidad.
4. Cierre la caja a través de usar cinta para sellarla.
5. Utilice la cinta de embalaje si es necesario.

NOTA: Guarde bien todos los artículos de embalaje para su necesidad en el futuro.


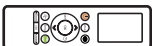

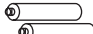


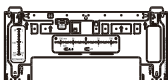




Manuel d'installation

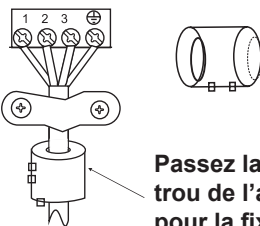
Accessoires	17
Résumé de l'installation - Unité intérieure.....	18
Pièces de l'unité	19
Installation de l'unité intérieure	20
1. Sélectionner l'emplacement de l'installation.....	20
2. Fixer la plaque de montage au mur.....	20
3. Percer un trou au mur pour la tuyauterie de connexion	21
4. Préparer la tuyauterie de réfrigérant.....	22
5. Connecter les tuyaux de drainage.....	24
6. Connecter le câble de signal	25
7. Enrouler la tuyauterie et les câbles	26
8. Installer l'unité intérieure.....	27
Installation de l'unité extérieure.....	27
1. Sélectionner l'emplacement de l'installation.....	27
2. Installer le joint de drainage.....	28
3. Fixer l'unité extérieure	28
4. Connecter les câbles de signal et alimentation	30
Raccordement de la tuyauterie de réfrigérant.....	31
A. Note sur la longueur de tuyau	31
B. Instructions de raccordement - Tuyauterie de réfrigérant	31
1. Couper le tuyau	31
2. Enlever les bavures	32
3. Évaser les extrémités des tuyaux.....	32
4. Connecter les tuyaux.....	32
Évacuation d'air.....	34
1. Instructions d'évacuation.....	34
2. Note relative à l'ajout de réfrigérant.....	35
Vérification des fuites de gaz et d'électricité.....	36
Mise en service	37
Emballage et déballage de l'unité	38

Unité intérieure	Unité extérieure	Tension nominale et Hz
42QHE009D8SH	38QHE009D8SH	220-240V~ 50/60Hz
42QHE012D8SH	38QHE012D8SH	
42QHE018D8SH	38QHE018D8SH	
42QHE024D8SH	38QHE024D8SH	

Accessoires

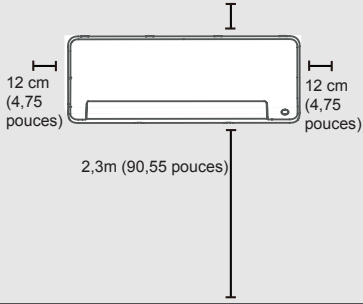
Le système de climatisation est livré avec les accessoires suivants. Utilisez toutes les pièces d'installation et tous les accessoires pour installer le climatiseur. Une mauvaise installation peut entraîner une fuite d'eau, un choc électrique et un incendie, ou provoquer une défaillance de l'équipement. Les articles qui ne sont pas inclus avec le climatiseur doivent être achetés séparément.

Désignation des accessoires	Qté (U)	Forme	Désignation des accessoires	Qté (pc)	Forme
Manuel	2-3		Télécommande	1	
Joint de drainage (pour les modèles de refroidissement et de chauffage)	1		Batterie	2	
Joint (pour le modèle de refroidissement & chauffage)	1		Support de télécommande (option)	1	
Plaque de montage	1		Vis de fixation pour support de la télécommande (option)	2	
Ancre	5 - 8 (selon les modèles)		Petit filtre (Doit être installé à l'arrière du filtre à air principal par le technicien autorisé lors de l'installation de la machine)	1~2 (selon les modèles)	
Vis de fixation de la plaque de montage	5~8 (selon les modèles)				

Désignation	Forme	Quantité (PC)	
Assemblage de tuyaux de raccordement	Côté liquide	ø6,35 (1/4 pouce)	Les pièces que vous devez acheter séparément. Consultez le revendeur pour connaître la taille de tuyau approprié de l'appareil que vous avez acheté.
		ø9,52 (3/8 pouce)	
	Côté gaz	ø9,52 (3/8 pouce)	
		ø12,7 (1/2 pouce)	
		ø16 (5/8 pouce)	
	ø19 (3/4 pouce)		
Anneau et ceinture magnétiques (s'il est fourni, veuillez vous référer au schéma de câblage pour l'installer sur le câble de connexion).	 <p>Passez la ceinture à travers le trou de l'anneau magnétique pour la fixer au câble</p>	Ils varient selon le modèle	

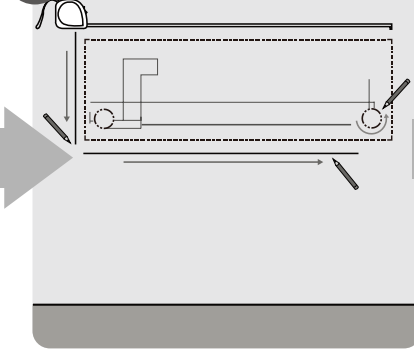
Résumé de l'installation - Unité Intérieure

1 La distance par rapport au plafond est déterminée par la méthode d'installation.



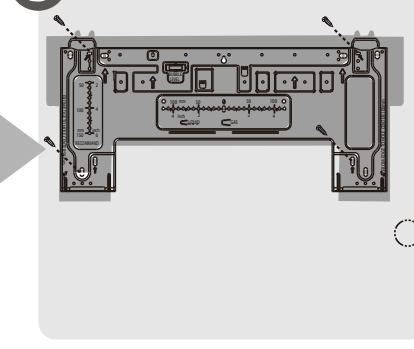
Sélectionnez l'emplacement d'installation

2



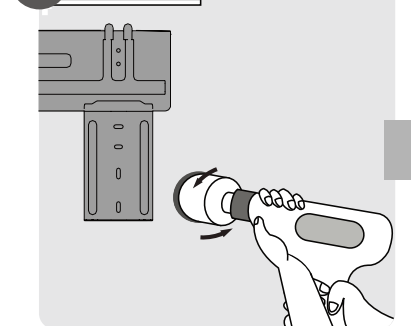
Déterminez la position du trou dans le mur

3



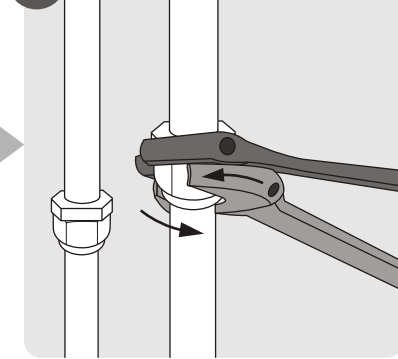
Fixez la plaque de montage

4



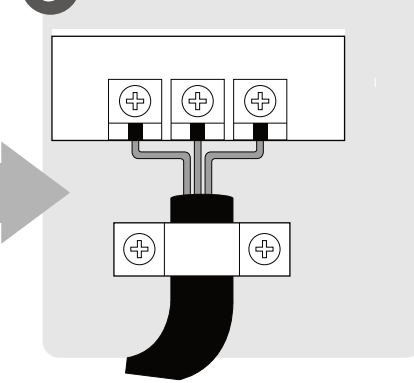
Percez un trou de mur

5



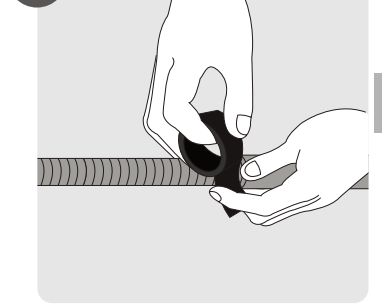
Connectez les tuyaux

6



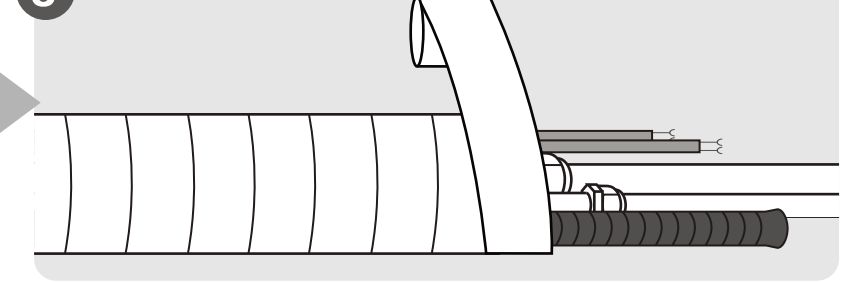
Connectez le câblage (non applicable pour certains endroits en Amérique du Nord)

7



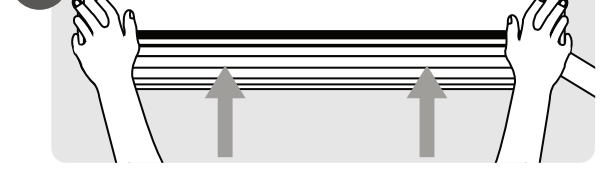
Préparez les tuyaux de drainage

8



Enroulez la tuyauterie et les câbles (non applicable pour certains endroits en Amérique du Nord)

9

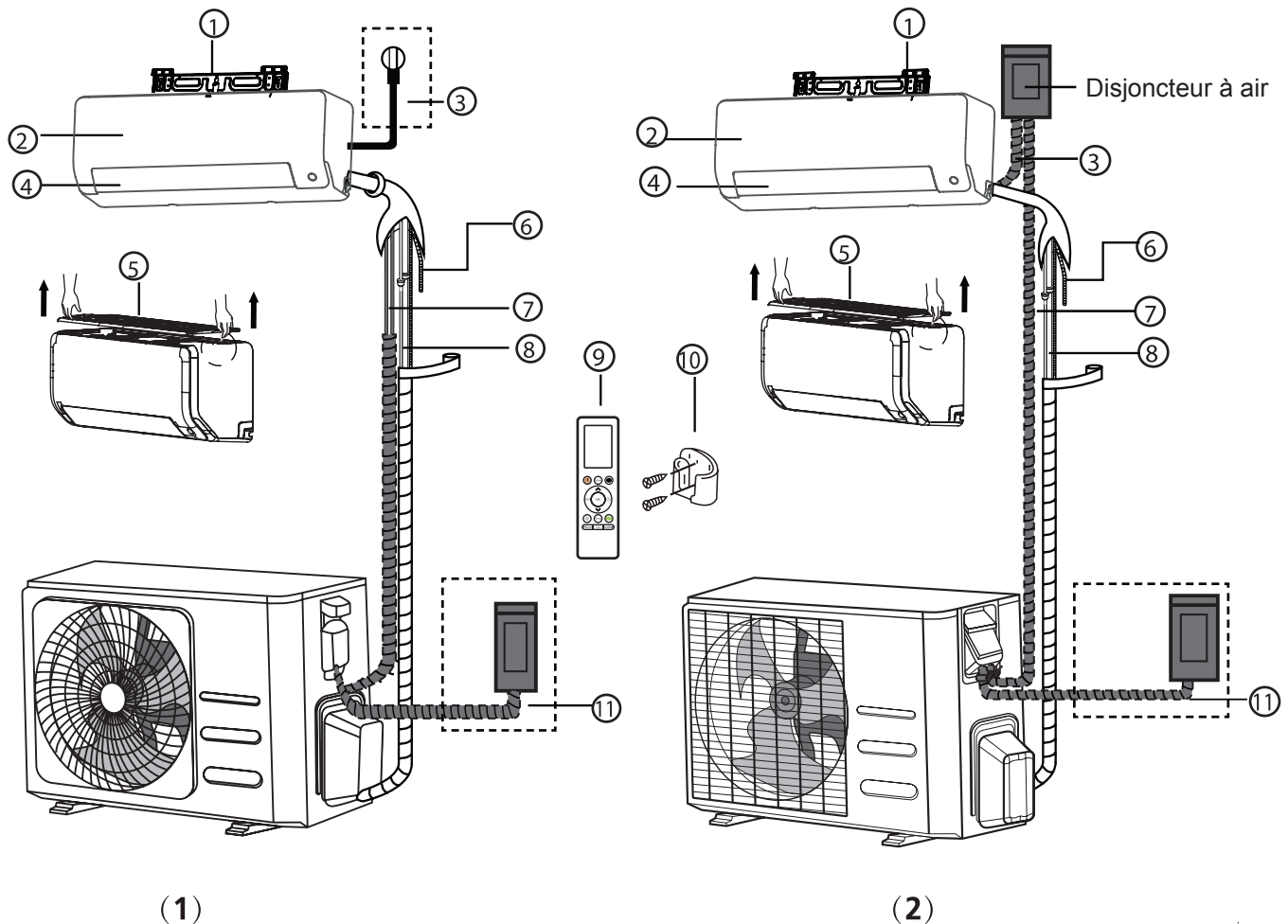


Installez l'unité intérieure

Aperçu de l'installation

Pièces de l'appareil

NOTE : L'installation doit être réalisée conformément aux exigences des normes locales et nationales. L'installation peut être légèrement différente selon les régions.



- ① Plaque de montage de mur
- ② Panneau avant
- ③ Câble d'alimentation (certaines unités)
- ④ Volet

- ⑤ Filtre à air (à retirer)
- ⑥ Tuyau de drainage
- ⑦ Câble de signal
- ⑧ Tuyauterie de réfrigérant

- ⑨ Télécommande
- ⑩ Support de télécommande (certaines unités)
- ⑪ Câble d'alimentation d'unité extérieure (certaines unités)

NOTE SUR LES ILLUSTRATIONS

Les illustrations de ce manuel sont à titre explicatif. La forme réelle de votre unité intérieure peut être légèrement différente. La forme réelle doit prévaloir.

Installation de l'unité intérieure

Instructions de l'installation - Unité intérieure

AVANT L'INSTALLATION

Avant d'installer l'unité intérieure, reportez-vous à l'étiquette figurant sur l'emballage du produit pour assurer que le numéro de modèle de l'unité intérieure correspond au numéro de modèle de l'unité extérieure.

Étape 1: Sélectionnez le lieu d'installation

Avant d'installer l'unité intérieure, vous devez choisir un emplacement approprié. Les normes suivantes vous aideront à sélectionner un emplacement approprié pour l'appareil.

Emplacement approprié d'installation doit répondre aux normes suivantes :

- Bonne circulation de l'air
- Drainage pratique
- Le bruit de l'appareil ne dérangera pas les autres
- Ferme et solide - l'emplacement ne vibre pas
- Suffisamment solide pour supporter le poids de l'appareil
- Un emplacement situé à au moins un mètre de tous les autres appareils électriques (par exemple, télévision, radio, ordinateur)

NE PAS installer l'appareil dans les endroits suivants :

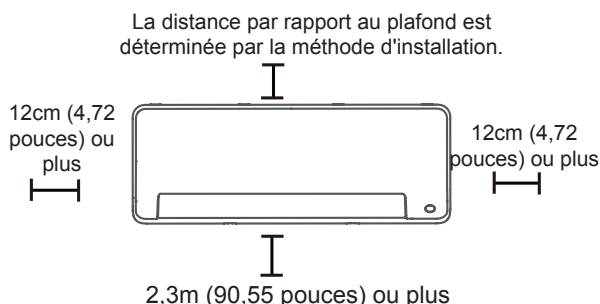
- À proximité de toute source de chaleur, de vapeur ou de gaz combustible
- À proximité d'articles inflammables tels que des rideaux ou des vêtements
- À proximité de tout obstacle susceptible de bloquer la circulation d'air
- Près de la porte
- Dans un endroit soumis à la lumière directe du soleil

NOTE SUR LE TROU DANS LE MUR :

S'il n'y a pas de tuyauterie frigorifique fixe :

Lorsque vous choisissez un emplacement, sachez que vous devez laisser suffisamment de place pour un trou dans le mur (voir l'étape **Percer un trou dans le mur pour la tuyauterie de connexion**) du câble de signal et de la tuyauterie de réfrigérant reliant les unités intérieures et extérieures. La position par défaut pour toute la tuyauterie est le côté droit de l'unité intérieure (en face de l'appareil). Cependant, l'appareil peut accueillir des tuyaux à gauche et à droite.

Consulter le diagramme suivant afin d'assurer la bonne distance avec les murs et le plafond :



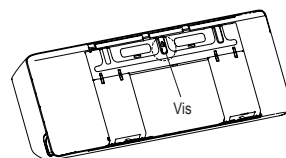
NOTE :

- **Si vous n'avez pas besoin du support arrière pour soutenir l'unité :**
Terminez les connexions des tuyaux et des câbles avant de monter l'unité intérieure sur le mur. Si la hauteur d'installation est limitée, une distance de 5 cm du plafond est autorisée, mais cela peut réduire les performances du produit. Pour garantir un espace suffisant pour installer et retirer le filtre à air supérieur, maintenez au moins 10 cm ou plus du plafond.
- **Si vous avez besoin du support arrière pour soutenir l'unité :**
Si le tuyau et le câble sont raccordés avec le panneau avant ouvert, la distance minimale du plafond est de 22 cm ou plus, si le tuyau et le câble sont raccordés sans le panneau avant (à enlever), la distance minimale du plafond est de 11 cm ou plus.

Étape 2 : Fixez la plaque de montage au mur

La plaque de montage est l'appareil sur lequel vous monterez l'unité intérieure.

- Retirez la vis qui fixe la plaque de montage à l'arrière de l'unité intérieure.



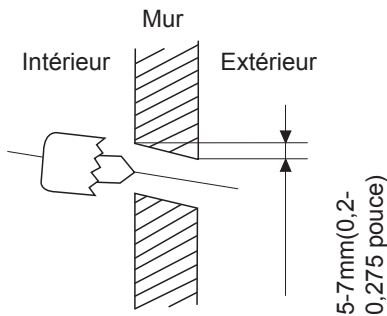
- Fixez la plaque de montage au mur avec les vis fournies. Assurez-vous que la plaque de montage est bien à plat contre le mur.

NOTE POUR LES MURS EN BÉTON OU EN BRIQUE :

Si le mur est en brique, béton, ou matériau similaire, percez des trous de diamètre de 5mm (diamètre 0,2 pouce) dans le mur et insérez les ancrages de manchon fournis. Puis fixez la plaque de montage au mur en serrant les vis directement dans les ancrages d'attache.

Étape 3 : Percez un trou dans le mur pour la tuyauterie de connexion

1. Déterminez l'emplacement du trou dans le mur en vous basant sur la position de la plaque de montage. Reportez aux **Dimensions de la plaque de montage**.
2. En utilisant un carottier de 65mm (2,5 pouces) ou 90mm (3,54 pouces) (selon les modèles), percez un trou dans le mur. Assurez-vous que le trou est percé à un angle légèrement descendant, de sorte que l'extrémité extérieure du trou soit plus basse que l'extrémité intérieure d'environ 5mm à 7mm (0,2 à 0,275 pouce). Cela assurera un bon drainage de l'eau.



NOTE : Lorsque le tuyau de raccordement à côté gaz est de $\Phi 16\text{mm}$ (5/8 pouce) ou plus, le trou dans le mur doit être de 90mm (3.54 pouces).

3. Placez le manchon de protection dans le trou. Cela protège les bords du trou et aidera à le sceller à la fin du processus d'installation.

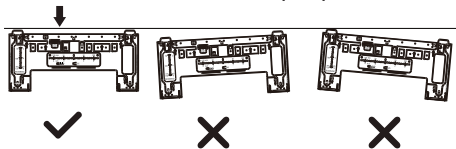
⚠ ATTENTION

Lors de percer le trou sur le mur, assurez-vous d'éviter les fils, la plomberie et les autres composants sensibles.

DIMENSIONS DE PLAQUE DE MONTAGE

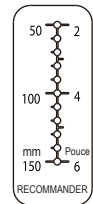
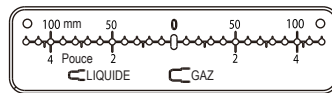
Différents modèles ont différentes plaques de montage. Pour faciliter l'installation, il y a un niveau à bulle, des dimensions gravées sur la plaque de montage. Veuillez installer la plaque et percer un trou dans le mur selon les indications de la plaque de montage. Voir les figures ci-dessous.

Orientation correcte de la plaque de montage

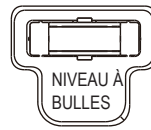


Unité : mm (pouce)

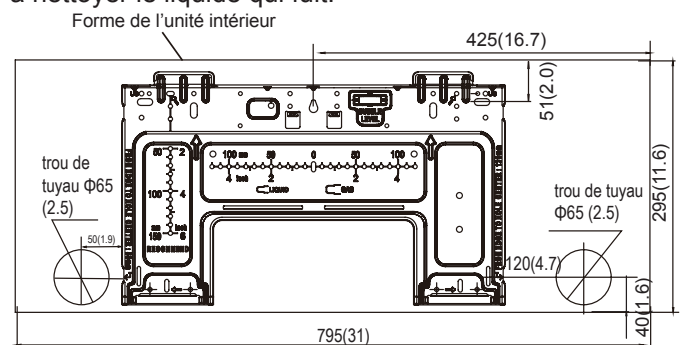
Règle de direction horizontale



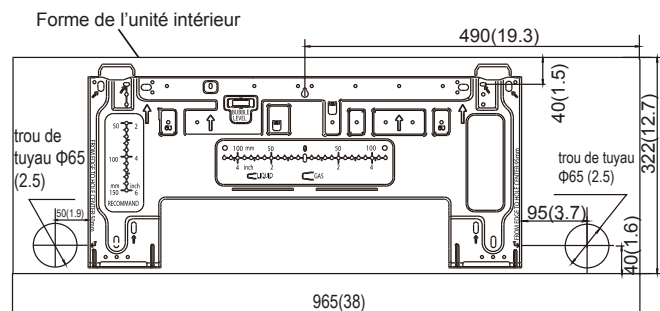
Règle de direction verticale



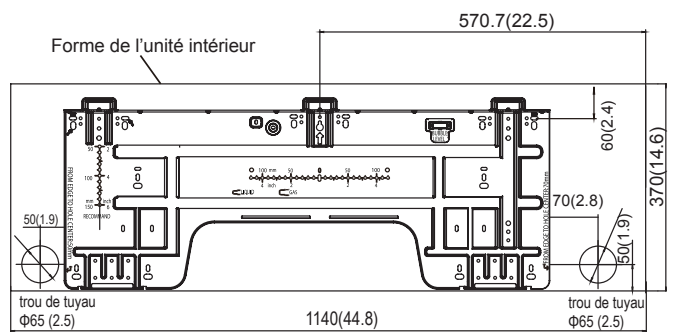
ATTENTION : Le niveau à bulle sur la plaque de montage ne peut pas être enlevé. S'il est cassé, veuillez à nettoyer le liquide qui fuit.



Modèle A



Modèle B



Modèle C

Installation de l'unité intérieure

Étape 4 : Préparez la tuyauterie de réfrigérant

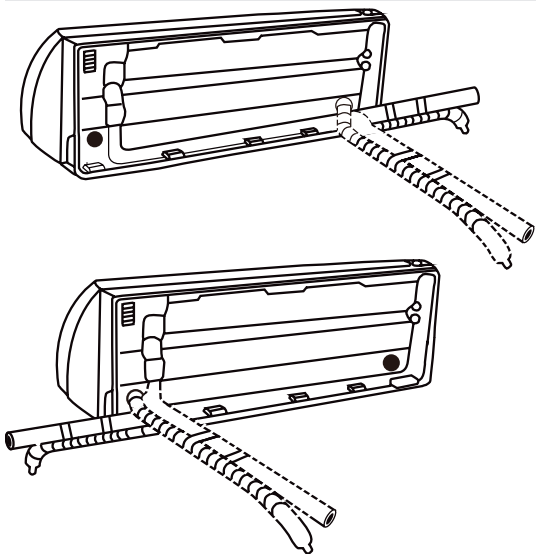
La tuyauterie de réfrigérant se trouve à l'intérieur d'un manchon isolant fixé à l'arrière de l'appareil. Vous devez préparer la tuyauterie avant de la faire passer par le trou dans le mur. Référez-vous à la section **Raccordement de la tuyauterie de réfrigérant** de ce manuel pour obtenir des instructions détaillées sur les conditions, les techniques, etc. de dérivation et de torque de tuyau.

NOTE SUR LES ANGLES DE TUYAUX

La tuyauterie de réfrigérant peut sortir de l'unité intérieure de quatre angles différents :

- Côté à gauche
- Arrière gauche
- Côté à droite
- Arrière droite

Voir les figures suivantes pour plus de détails.



NOTE SUR LE RACCORDEMENT DE LA TUYAUTERIE

- Dans certaines régions des États-Unis, un tube de conduite doit être utilisé pour connecter le câble. Pour garantir un espace suffisant pour le passage des tuyaux et pour que l'appareil soit contre le mur après l'installation, il est recommandé de fixer le tuyau de vidange sur le côté droit (lorsque vous êtes face à l'arrière de l'appareil).
- Lorsque vous choisissez une tuyauterie à gauche ou à droite, veuillez vous assurer que les tuyaux sortent horizontalement afin de ne pas affecter l'installation du panneau inférieur.

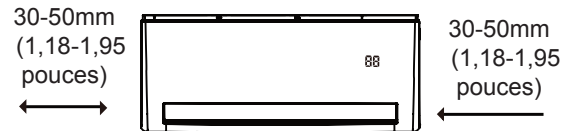
⚠ ATTENTION

Faites attention à ne pas déformer ou endommager la tuyauterie tout en les pliant loin de l'appareil. Toute fissure dans la tuyauterie affectera les performances de l'appareil.

Si aucune canalisation de réfrigérant n'est encastrée dans le mur, procédez comme suit :

Étape 1 : Accrochez l'unité intérieure sur la plaque de montage :

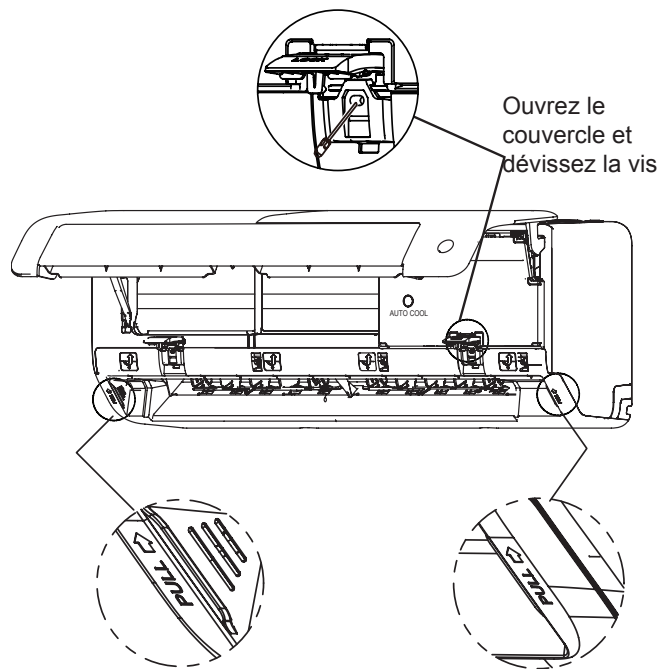
1. N'oubliez pas que les crochets de la plaque de montage sont plus petits que les trous à l'arrière de l'appareil. Si vous trouvez que vous n'avez pas assez de place pour raccorder des tuyaux encastrés à l'unité intérieure, l'unité peut être réglée à gauche ou à droite d'environ 30-50mm (1,18-1,95 pouces), selon le modèle.



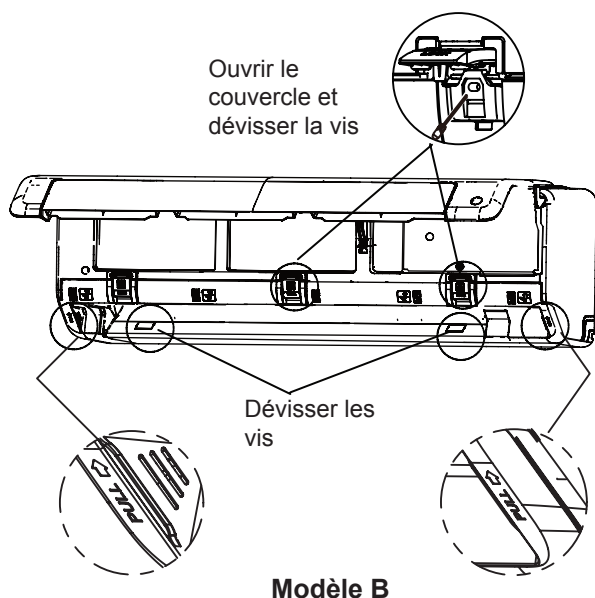
Déplacer à gauche ou à droite

Étape 2 : Préparez la tuyauterie de réfrigérant

1. Ouvrez et fixez la position du panneau, puis ouvrez les couvercles des deux blocs de verrouillage, dévissez la vis indiquée sur la photo ci-dessous, puis maintenez les deux côtés du panneau inférieur à l'endroit marqué « PULL », tirez vers le haut pour libérer les boucles, puis faites descendre le panneau inférieur.

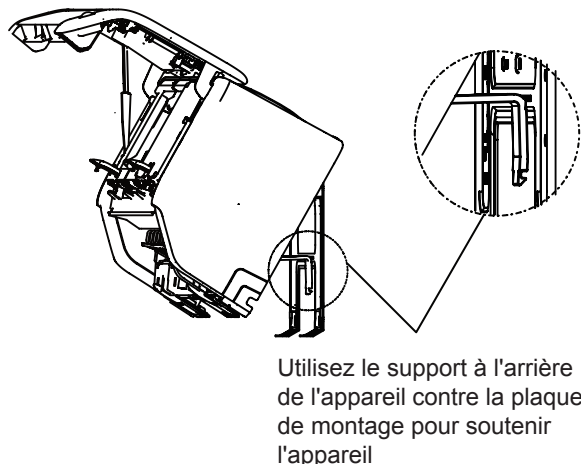


Modèle A



Modèle B

2. Utilisez le support à l'arrière de l'appareil pour soutenir l'appareil, ce qui vous donnera assez d'espace pour brancher la tuyauterie du réfrigérant, le câble de signalisation et le tuyau de vidange.



Étape 3. Connectez le tuyau de drainage et la tuyauterie de réfrigérant (référer à la section **Raccordement de la Tuyauterie de Réfrigérant** de ce manuel pour les instructions).

Étape 4. Maintenez le point de raccordement du tuyau exposé pour effectuer le test de fuite (voir la section **Vérifications électriques et vérifications de fuites** de ce manuel).

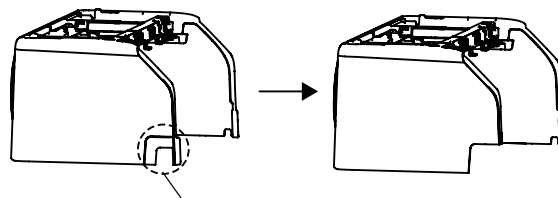
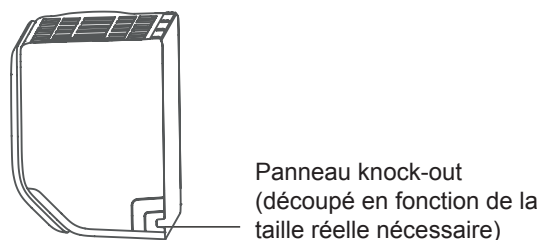
Étape 5. Après le test d'étanchéité, enveloppez le point de connexion avec du ruban isolant.

Étape 6. Retirez le support ou le coin qui supporte l'appareil.

Étape 7. En exerçant une pression uniforme, appuyez sur la moitié inférieure de l'appareil. Continuez à pousser vers le bas jusqu'à ce que l'unité s'enclenche sur les crochets situés au bas de la plaque de montage.

Si aucune canalisation de réfrigérant n'est encastrée dans le mur, procédez comme suit :

1. En fonction de la position du trou mural par rapport à la plaque de montage, choisissez le côté par lequel la tuyauterie sortira de l'appareil.
2. Si le trou dans le mur se trouve derrière l'appareil, gardez le panneau knock-out en place. Si le trou dans le mur est situé sur le côté de l'unité intérieure, retirez le panneau knock-out en plastique de ce côté de l'appareil. (Voir la figure ci-dessous). Cela créera une fente à travers laquelle votre tuyau peut sortir de l'appareil. Utilisez une pince à bec effilé si le panneau en plastique est trop difficile à retirer à la main.



Si vous devez découper le panneau en plastique de grande taille, procédez comme indiqué ci-dessus.

3. Utilisez des ciseaux pour couper la longueur du manchon isolant afin de révéler environ 40mm (1,57 pouces) de tuyau de réfrigérant. Cela sert à deux fins:
 - Pour faciliter le processus de **Raccordement de la tuyauterie de réfrigérant**.
 - Pour faciliter les **Contrôles de fuites de gaz** et vous permettre de vérifier les bosses
4. Utilisez le support à l'arrière de l'appareil pour soutenir l'appareil, ce qui vous donnera assez d'espace pour brancher la tuyauterie du réfrigérant, le câble de signalisation et le tuyau de vidange.
5. Connectez la tuyauterie de réfrigérant de l'unité intérieure à la tuyauterie de raccordement qui permettra de relier les unités intérieures et extérieures. Veuillez référer à la section **Raccordement de la Tuyauterie de Réfrigérant** de ce manuel pour des instructions détaillées.
6. Basé sur la position du trou par rapport à la plaque de montage mural, déterminez l'angle nécessaire de votre tuyauterie.
7. Saisissez la tuyauterie de réfrigérant à la base du coude.
8. Lentement, avec une pression uniforme, pliez la tuyauterie vers le trou. **Ne pas** déformer ou endommager la tuyauterie au cours du processus.

Étape 5 : Connecter le tuyau de drainage

Par défaut, le tuyau de drainage est fixé à la gauche de l'appareil (lorsque vous êtes en face de l'appareil). Cependant, il peut également être fixé au côté droit. Pour assurer un bon drainage, fixez le tuyau de drainage du même côté que votre tuyauterie de réfrigérant quitte l'unité.

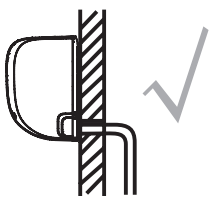
NOTE : Dans certaines régions des États-Unis, si le panneau de conduite est installé sur la machine, veuillez choisir le drainage au côté droit.

- Enveloppez fermement le point de connexion avec du ruban téflon pour assurer une bonne étanchéité et éviter les fuites.
- Enlevez le filtre à air et versez une petite quantité d'eau dans le bac de drainage pour vous assurer que l'eau s'écoule de l'appareil en douceur.

NOTE SUR LA POSITION DU TUYAU DE DRAINAGE

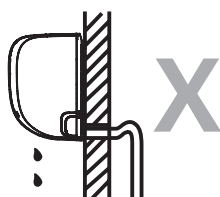
Veillez à disposer le tuyau de vidange selon les figures suivantes.

- ⊘ **Ne pas plier** le tuyau de vidange.
- ⊘ **Ne pas créer** provoquer de l'eau stagnante.
- ⊘ **Ne pas mettre** l'extrémité du tuyau de vidange dans de l'eau ou dans un récipient susceptible de recueillir l'eau.



CORRECT

Assurez-vous que le tuyau de drainage ne soit pas plié ou fissuré pour assurer un bon état.



INCORRECT

Un coude dans le tuyau de drainage peut provoquer de l'eau stagnante.



INCORRECT

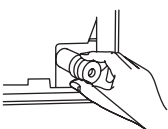
Des plis dans le tuyau de drainage créeront des pièges à eau.



INCORRECT

Ne pas mettre l'extrémité du tuyau de drainage dans de l'eau ou dans un récipient susceptible de recueillir l'eau. Cela empêchera un drainage adéquat.

BOUCHER LE TROU DE DRAINAGE INUTILISÉ



Pour éviter les fuites indésirables, vous devez boucher le trou de drainage non utilisé avec le bouchon en caoutchouc fourni.

AVANT D'EFFECTUER TOUTE OPÉRATION SOUS TENSION, LISEZ CES RÈGLEMENTS

1. Tout le câblage doit être conforme aux codes électriques locaux et nationaux et doit être installé par un électricien agréé.
2. Tous les raccordements électriques doivent être effectués conformément au schéma de raccordement électrique situé sur les panneaux des unités intérieure et extérieure.
3. En cas de problème de sécurité grave avec l'alimentation électrique, arrêtez immédiatement le travail. Expliquez votre raisonnement au client et refusez d'installer l'unité jusqu'à ce que le problème de sécurité soit correctement résolu.
4. La tension d'alimentation doit être comprise entre 90% et 110% de la tension nominale. Une alimentation insuffisante peut provoquer un dysfonctionnement, un choc électrique ou un incendie.
5. Si vous raccordez l'alimentation à un câblage fixe, il faut installer un parasurtenseur et un interrupteur principal.
6. Si vous raccordez l'alimentation à un câblage fixe, un interrupteur ou un disjoncteur qui déconnecte tous les pôles et présente une séparation de contact d'au moins 1/8 pouce (3mm) doit être intégré au câblage fixe. Le technicien qualifié doit utiliser un disjoncteur ou un interrupteur approuvé.
7. Ne branchez l'unité qu'à une prise de courant individuelle. Ne pas connecter une autre unité à cette prise.
8. Assurez-vous de bien mettre le climatiseur à la terre.
9. Chaque fil doit être fermement connecté. Un câblage desserré peut provoquer une surchauffe du terminal, entraînant un dysfonctionnement du produit et un risque d'incendie.
10. Ne pas laisser les câbles toucher ou reposer contre la tubulure de réfrigérant, le compresseur ou toute pièce mobile dans l'unité.
11. Si l'unité est équipée d'un réchauffeur électrique auxiliaire, elle doit être installée à au moins 1 mètre (40 pouces) de tout matériau combustible.
12. Pour éviter tout risque de choc électrique, ne jamais toucher les composants électriques immédiatement après la mise hors tension. Après la mise hors tension, attendez toujours 10 minutes ou plus avant de toucher les composants électriques.

AVERTISSEMENT

AVANT TOUTE OPÉRATION SOUS TENSION OU CÂBLAGE, COUPEZ L'ALIMENTATION PRINCIPALE DU SYSTÈME.

Étape 6 : Connecter les câbles de signal et d'alimentation

Le câble de signal permet la communication entre les unités intérieure et extérieure. Vous devez d'abord choisir la bonne taille de câble avant de le préparer pour la connexion.

Types de câbles

- Câble d'alimentation intérieur (le cas échéant) : H05VV-F ou H05V2V2-F
 - **Câble d'alimentation extérieur** : H07RN-F ou H05RN-F
 - **Câble de signal** : H07RN-F
- NOTE** : En Amérique du Nord, choisissez le type de câble en fonction des codes et réglementations électriques locaux.

Section minimale des câbles d'alimentation et de signaux (pour référence)

(Non applicable pour l'Amérique du Nord)

Courant nominal de l'unité (A)	Section transversale nominale (mm ²)
> 3 et ≤	0,75
> 6 et ≤ 1	1
> 10 et ≤ 1	1,5
> 16 et ≤ 2	2,5
> 25 et ≤ 3	4
> 32 et ≤ 4	6

CHOISIR LA BONNE TAILLE DU CÂBLE

La taille du câble d'alimentation, du câble de signal, du fusible et du commutateur nécessaires est déterminée par le courant maximal de l'unité. Le courant maximum est indiqué sur la plaque signalétique située sur le panneau latéral de l'unité. Veuillez référer à cette plaque signalétique pour choisir le bon câble, le bon fusible ou le bon commutateur.

NOTE: En Amérique du Nord, veuillez choisir la bonne taille de câble en fonction de l'intensité minimale du circuit indiquée sur la plaque signalétique de l'unité.

1. Ouvrez et fixez la position du panneau, puis ouvrez les couvercles des deux blocs de verrouillage, dévissez la vis, puis maintenez les deux côtés du panneau inférieur à l'endroit marqué « PULL », tirez vers le haut pour libérer les boucles, puis faites descendre le panneau inférieur (voir pages 22-23).
2. Ouvrez le couvercle de la boîte à fil pour connecter le câble.
3. Dévisser le serre-câble sous la boîte à borne et le placer sur le côté.
4. Face à l'arrière de l'unité, retirez le panneau en

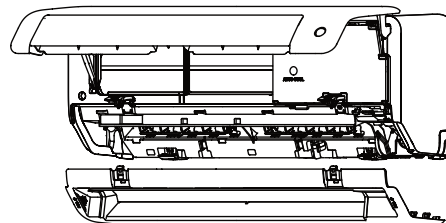
plastique situé en bas à gauche



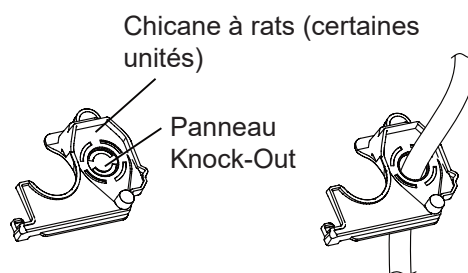
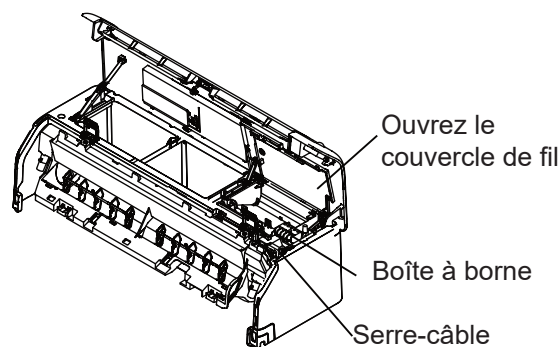
AVERTISSEMENT

TOUT LE CABLAGE DOIT ÊTRE RÉALISÉ STRICTEMENT CONFORMÉMENT AU DIAGRAMME DE CABLAGE SITUÉ À L'ARRIÈRE DU PANNEAU AVANT DE L'UNITÉ INTÉRIEURE.

5. Faites passer le fil de signal à travers cette fente, de l'arrière de l'unité vers l'avant.
6. Face à l'avant de l'appareil, reliez le fil selon le schéma de câblage de l'unité intérieure, connectez la patte en U et vissez fermement chaque fil à la borne correspondante.



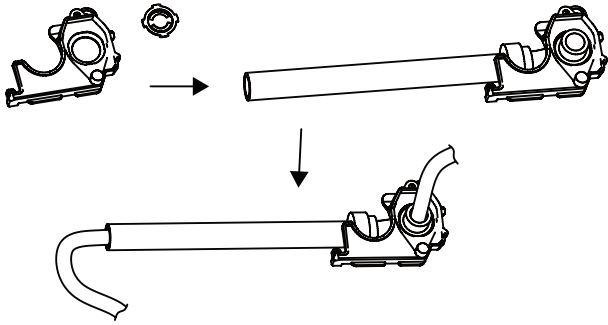
Ouvrez d'abord le panneau avant, puis retirez le panneau inférieur.



NOTE : Si la taille du câble est trop grande, retirez le petit panneau en plastique du milieu pour créer une fente par laquelle le câble peut sortir. Si vous souhaitez retirer le châssis ou le tuyau de vidange, veuillez d'abord retirer la chicane à rats.

En Amérique du Nord

Retirez d'abord le panneau d'ouverture pour créer une fente dans laquelle le tube de conduite peut s'installer. Ensuite, faites passer le câble par le tube de conduite et connectez-le à l'unité intérieure.



⚠ ATTENTION

NE PAS MÉLANGER LA LIGNE SOUS TENSION ET LA LIGNE NEUTRE

Ceci est dangereux et peut entraîner un dysfonctionnement du climatiseur.

- Après avoir vérifié que chaque connexion est sécurisée, utiliser le serre-câble pour attacher le câble de signal à l'appareil. Vissez fermement le serre-câble.
- Remettre en place le couvre-fil à l'avant de l'appareil et le panneau en plastique à l'arrière.

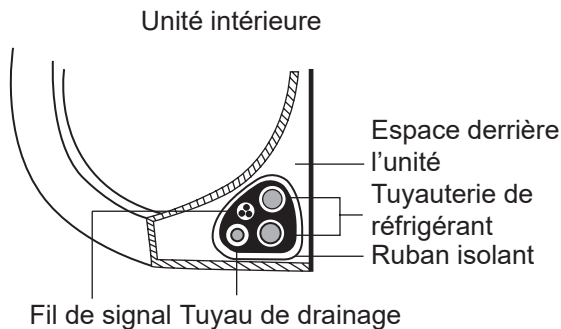
⚠ NOTE SUR LE CÂBLAGE

LE PROCESSUS DE CÂBLAGE PEUT DIFFÉRER LÉGÈREMENT ENTRE UNITÉS ET RÉGIONS

Étape 7 : Enveloppement et câblage

Avant de faire passer la tuyauterie, le tuyau de drainage et le câble de signal à travers le trou mural, vous devez les regrouper pour économiser de l'espace, les protéger et les isoler (Cela peut ne pas s'appliquer à certains emplacements aux États-Unis).

- Attacher le tuyau de drainage, les tuyaux de réfrigérant et le câble de signal comme indiqué ci-dessous :



LE TUYAU DE DRAINAGE DOIT ÊTRE EN BAS

Assurez-vous que le tuyau de drainage est au bas du paquet. Si vous placez le tuyau de vidange au sommet du faisceau, le bac de vidange risque de déborder, ce qui peut provoquer un incendie ou des dégâts d'eau.

NE PAS ENROULER LE CÂBLE DE SIGNAL AVEC D'AUTRES FILS

Lorsque vous réunissez ces éléments, n'entrelacez ni croisez le câble de signal avec aucun autre câblage.

- À l'aide de ruban adhésif en vinyle, fixez le tuyau de drainage au-dessous des tuyaux de réfrigérant.
- À l'aide de ruban isolant, enroulez le câble de signal, les tuyaux de réfrigérant et le tuyau de drainage ensemble. Double-vérifiez que tous les éléments sont regroupés.

NE PAS ENVELOPPER LES EXTRÉMITÉS DE TUYAUTERIE

Lorsque vous enveloppez le paquet, laissez les extrémités de la tuyauterie non enveloppées. **Vous devez y accéder pour rechercher des fuites à la fin du processus d'installation (voir la section Vérifications électriques et vérifications de fuites du présent manuel).**

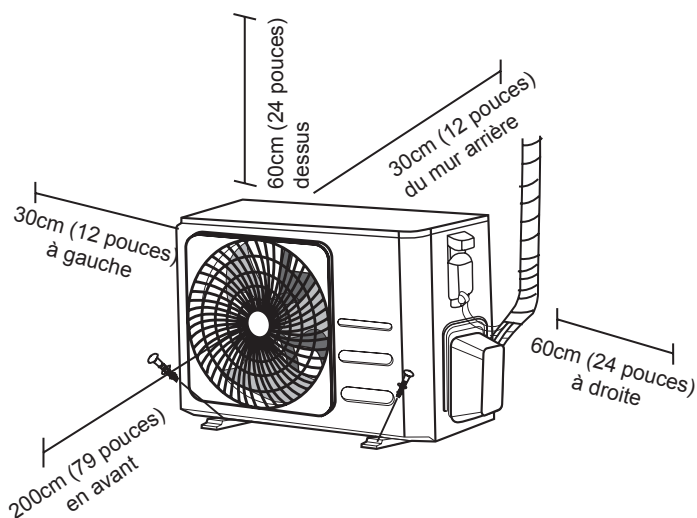
Étape 8 : Installation de l'unité intérieure

Si une nouvelle tuyauterie de connexion à l'unité extérieure, procéder aux étapes suivantes :

- Si vous avez déjà passé la tuyauterie de réfrigérant à travers le trou dans le mur, passez à l'étape 4.
- Sinon, vérifiez que les extrémités des tuyaux de réfrigérant sont scellées pour éviter que des saletés ou des matières étrangères ne pénètrent dans les tuyaux.
- Passez lentement le faisceau enveloppé de tuyaux de réfrigérant, le tuyau de drainage et le câble de signal à travers le trou dans le mur.
- Accrochez le haut de l'unité intérieure au crochet supérieur de la plaque de montage.
- Vérifiez que l'unité est bien accrochée lors du montage en appliquant une légère pression sur les côtés gauche et droit de l'unité. L'unité ne doit pas se trémousser ni se déplacer.
- En exerçant une pression uniforme, appuyez sur la moitié inférieure de l'unité. Continuez à pousser vers le bas jusqu'à ce que l'unité s'enclenche sur les crochets situés au bas de la plaque de montage.
- Là encore, vérifiez que l'unité est correctement montée en appliquant une légère pression sur les côtés gauche et droit de l'unité.

Installation de l'unité extérieure

Installez l'unité en suivant les codes et règlements locaux, il peut y avoir de légères différences entre les différentes régions.



Instructions d'installation - Unité extérieure

Étape 1 : Sélectionnez l'emplacement d'installation

Avant d'installer l'unité extérieure, vous devez choisir un emplacement approprié. Les normes suivantes vous aideront à sélectionner un emplacement approprié pour l'unité.

L'emplacement approprié d'installation doit répondre aux normes suivantes :

- Répondre à toutes les exigences spatiales indiquées dans la section Espace requis pour l'installation ci-dessus.
- Bonne circulation d'air et ventilation
- Ferme et solide — l'emplacement peut supporter l'unité et ne vibrera pas
- Le bruit de l'unité ne dérangera pas les autres
- Protégé contre les longues périodes de lumière directe du soleil ou de pluie
- Lorsque des chutes de neige sont prévues, prenez les mesures appropriées pour éviter l'accumulation de glace et les dommages aux serpents.

NE PAS installer l'unité dans les endroits suivants:

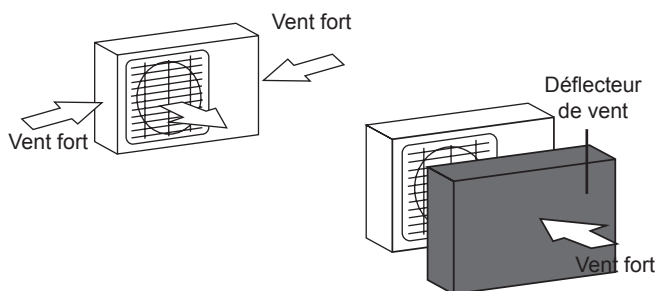
- ⊘ Près d'un obstacle qui bloquera les entrées et les sorties d'air
- ⊘ Près d'une rue publique, dans des endroits bondés ou lorsque le bruit de l'unité dérange les autres
- ⊘ Près d'animaux ou de plantes qui seront endommagés par la décharge d'air chaud
- ⊘ Près de toute source de gaz combustible
- ⊘ Dans un endroit exposé à de grandes quantités de poussière
- ⊘ Dans un endroit exposé à une quantité excessive d'air salé

CONSIDÉRATIONS SPÉCIALES POUR LE TEMPS EXTRÊME

Si l'unité est exposée à un vent fort :

Installez l'unité de sorte que l'extracteur d'air soit à un angle de 90° par rapport au vent. Si nécessaire, installez une barrière devant l'unité pour le protéger des vents extrêmement violents.

Voir les figures ci-dessous.



Si l'unité est fréquemment exposée à de fortes pluies ou à la neige :

Construisez un abri au-dessus de l'unité pour la protéger de la pluie ou de la neige. Veillez à ne pas obstruer le flux d'air autour de l'unité.

Si l'unité est fréquemment exposée à l'air salé (bord de la mer) :

Utilisez l'unité extérieure spécialement conçue pour résister à la corrosion.

Étape 2 : Installez le joint de drainage (appareil de pompe à chaleur uniquement)

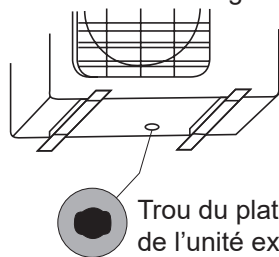
Avant de visser l'unité extérieure en place, vous devez installer le joint de drainage au bas de l'appareil. Il faut noter qu'il existe deux types différents de joints de drainage en fonction du type d'unité extérieure.

Si le joint de drainage est livré avec un joint en caoutchouc (figure A), procéder comme suit :

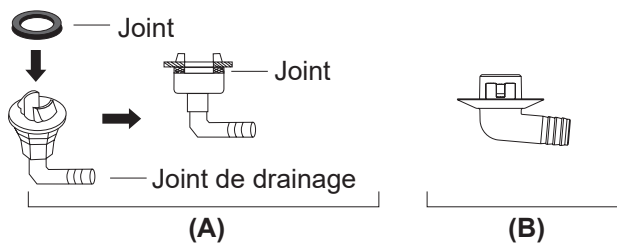
1. Installez le joint en caoutchouc à l'extrémité du joint de drainage qui se connectera à l'unité extérieure.
2. Insérez le joint de drainage dans le trou du plateau inférieur de l'appareil.
3. Faites pivoter le joint de vidange de 90° jusqu'à ce qu'il s'enclenche en place face à l'avant de l'appareil.
4. Connectez une rallonge de tuyau de drainage (non fournie) au joint de drainage pour rediriger l'eau de l'appareil en mode de chauffage.

Si le joint de drainage ne vient pas avec un joint en caoutchouc (Fig. B), procédez comme suit :

1. Insérez le joint de drainage dans le trou du plateau inférieur de l'appareil. Le joint de drainage est coincé en place.
2. Raccordez une rallonge de tuyau de vidange (non incluse) au raccord de vidange pour rediriger l'eau de l'appareil en mode chauffage.



Trou du plateau inférieur de l'unité extérieure

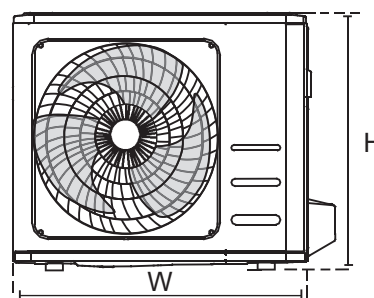
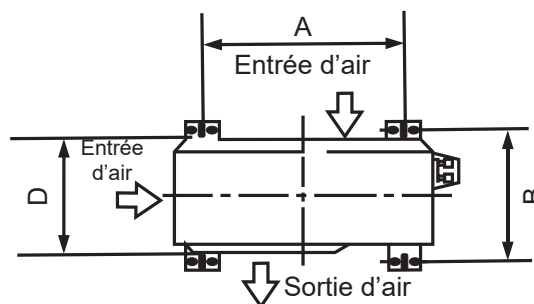


Étape 3 : Ancrage de l'unité intérieure

L'unité extérieure peut être ancrée au sol ou à un support mural avec boulon (M10). Préparez la base d'installation de l'appareil conformément aux dimensions ci-dessous.

DIMENSIONS DE MONTAGE DE L'APPAREIL

Vous trouverez ci-dessous une liste des différentes dimensions d'unités extérieures et de la distance entre leurs pieds de montage. Préparez la base d'installation de l'unité conformément aux dimensions ci-dessous



! SOUS CLIMAT FROID

Sous climat froid, assurez-vous que le tuyau de drainage est aussi vertical que possible pour assurer un drainage rapide de l'eau. Si l'eau s'écoule trop lentement, elle peut geler dans le tuyau et inonder l'appareil.

DIMENSIONS DE MONTAGE

Dimensions de l'unité extérieure (mm) W × H × D	Distance A (mm)	Distance B (mm)
681 × 434 × 285 (26.8" × 17.1" × 11.2")	460 (18.1")	292 (11.5")
700 × 550 × 270 (27.5" × 21.6" × 10.6")	450 (17,7")	260 (10,2")
700 × 550 × 275 (27,5" × 21,6" × 10,8")	450 (17,7")	260 (10,2")
720 × 495 × 270 (28,3" × 19,5" × 10,6")	452 (17,8")	255 (10,0")
728 × 555 × 300 (28,7" × 21,8" × 11,8")	452 (17,8")	302 (11,9")
765 × 555 × 303 (30,1" × 21,8" × 11,9")	452 (17,8")	286 (11,3")
770 × 555 × 300 (30,3" × 21,8" × 11,8")	487 (19,2")	298 (11,7")
805 × 554 × 330 (31,7" × 21,8" × 12,9")	511 (20,1")	317 (12,5")
800 × 554 × 333 (31,5" × 21,8" × 13,1")	514 (20,2")	340 (13,4")
845 × 702 × 363 (33,3" × 27,6" × 14,3")	540 (21,3")	350 (13,8")
890 × 673 × 342 (35,0" × 26,5" × 13,5")	663 (26,1")	354 (13,9")
946 × 810 × 420 (37,2" × 31,9" × 16,5")	673 (26,5")	403 (15,9")
946 × 810 × 410 (37,2" × 31,9" × 16,1")	673 (26,5")	403 (15,9")

Si vous souhaitez installer l'appareil sur le sol ou sur une plate-forme de montage en béton, procédez comme suit :

1. Marquez les positions pour quatre boulons d'expansion en fonction du plan des dimensions.
2. Pré-percez des trous pour les boulons d'expansion.
3. Placez un écrou à la fin de chaque boulon d'expansion.
4. Martelez les boulons d'expansion dans les trous pré-percés.
5. Retirez les écrous des boulons d'expansion et placez l'unité extérieure sur les boulons.
6. Mettez la rondelle sur chaque boulon d'expansion, puis remplacez les écrous.
7. À l'aide d'une clé, serrez chaque écrou jusqu'à ce qu'il soit bien ajusté.



AVERTISSEMENT

LA PROTECTION DES YEUX EST RECOMMANDÉE EN TOUT TEMPS LORS DU FORAGE DANS LE BÉTON.

Si vous souhaitez installer l'appareil sur un support mural, procédez comme suit :



ATTENTION

Assurez-vous que le mur est en brique solide, en béton ou en un matériau de résistance similaire. **Le mur doit pouvoir supporter au moins quatre fois le poids de l'appareil.**

1. Marquez la position des trous de fixation en vous basant sur le tableau des dimensions.
2. Pré-percez les trous pour les boulons d'expansion.
3. Placez une rondelle et un écrou à la fin de chaque boulon à expansion.
4. Vissez les boulons de dilatation à travers les trous des supports de fixation, mettez-les en place et enfoncez les boulons de dilatation dans le mur.
5. Vérifiez que les supports de montage sont plans.
6. Soulevez soigneusement l'appareil et placez ses pieds de montage sur des supports.
7. Boulonnez fermement l'appareil aux supports.
8. Si cela est autorisé, installez l'appareil avec des joints en caoutchouc pour réduire les vibrations et le bruit.

Étape 4 : Connectez les câbles de signal et d'alimentation.

Le bornier de l'unité extérieure est protégé par un couvercle de câblage électrique sur le côté de l'unité. Le schéma de câblage complet est imprimé à l'intérieur du couvercle de câblage.



AVERTISSEMENT

AVANT LA MISE EN OEUVRE DE TOUT TRAVAIL ÉLECTRIQUE OU DE CÂBLAGE, VEUILLEZ COUPER L'ALIMENTATION PRINCIPALE DU SYSTÈME.

1. Préparez le câble pour la connexion :

UTILISEZ LE CÂBLE CORRECT

Veillez choisir le bon câble, voir « Types de câbles » à la page 25.

CHOISIR LA BONNE TAILLE DU CÂBLE

La taille du câble d'alimentation, du câble de signal, du fusible et du commutateur nécessaires est déterminée par le courant maximal de l'unité. Le courant maximum est indiqué sur la plaque signalétique située sur le panneau latéral de l'unité.

NOTE : En Amérique du Nord, veuillez choisir la bonne taille de câble en fonction de l'intensité minimale du circuit indiquée sur la plaque signalétique de l'unité.

- À l'aide d'une pince à dénuder, dénudez la gaine en caoutchouc des deux extrémités du câble pour laisser apparaître environ 40 mm (1,57 po) de fils à l'intérieur.
- Dénudez l'isolation des extrémités des câbles.
- À l'aide d'une pince à sertir les fils, sertissez des pattes en U aux extrémités des câbles.

FAITES ATTENTION AUX CABLES SOUS TENSION

Lorsque vous sertissez des fils, veillez à distinguer clairement le fil sous tension (« L ») des autres fils.



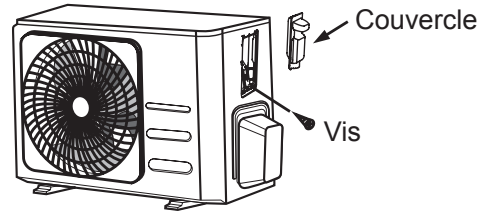
AVERTISSEMENT

TOUS LES TRAVAUX DE CÂBLAGE DOIVENT ÊTRE EFFECTUÉS EN RESPECTANT STRICTEMENT LE SCHÉMA DE CÂBLAGE SITUÉ À L'INTÉRIEUR DU COUVERCLE DES FILS DE L'UNITÉ EXTÉRIEURE.

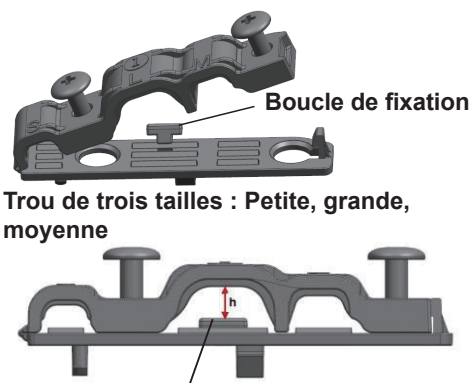
- Dévissez le couvercle du câblage électrique et le retirez.
- Dévissez le serre-câble sous la boîte à borne et le placez sur le côté.
- Connectez le câble conformément au schéma de câblage et vissez fermement la patte en U de fixation de chaque câble au terminal correspondant.
- Après avoir vérifié que chaque connexion est sécurisée, bouclez les câbles autour pour empêcher l'eau de pluie de s'écouler dans le

terminal.

- À l'aide du serre-câble, fixez le câble à l'unité. Vissez fermement le serre-câble.
- Isolez les câbles non utilisés avec du ruban électrique PVC. Disposez-les de manière à ce qu'elles ne touchent aucune pièce électrique ou métallique.
- Remplacez le couvercle du câble sur le côté de l'unité et le vissez en place.



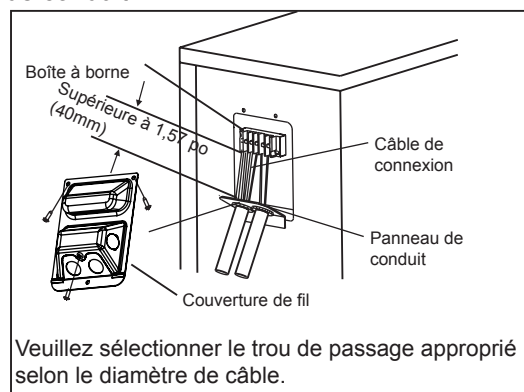
NOTE : Si le serre-câble ressemble à ce qui suit, veuillez sélectionner le trou de passage approprié en fonction du diamètre du fil.



Lorsque le câble n'est pas assez serré, utilisez la boucle de fixation pour le maintenir en place, afin qu'il puisse être bien serré.

En Amérique du Nord

- Retirez le couvercle de câble de l'unité en desserrant les 3 vis.
- Démontez les capuchons sur le panneau de conduit.
- Montez provisoirement les tubes de conduit (non inclus) sur le panneau de conduit.
- Connectez correctement l'alimentation électrique et les lignes basse tension aux bornes correspondantes du bornier.
- Mettez l'unité à la terre conformément aux codes locaux.
- Veillez à dimensionner chaque câble de manière à ce qu'il dépasse de plusieurs pouces la longueur requise pour le câblage.
- Utilisez des écrous de blocage pour fixer les tubes de conduit.



Veillez sélectionner le trou de passage approprié selon le diamètre de câble.

Raccordement de la tuyauterie de réfrigérant

Lors du raccordement de la tuyauterie de réfrigérant, **ne pas** laisser aucune substance ni aucun gaz autre que le réfrigérant spécifié pénétrer dans l'appareil. La présence d'autres gaz ou substances réduira la capacité de l'appareil et peut entraîner une pression anormalement élevée dans le cycle de réfrigération. Cela peut provoquer l'explosion et la blessure.

Note sur la Longueur de Tuyau

La longueur de la tuyauterie de réfrigérant affectera les performances et l'efficacité énergétique de l'appareil. L'efficacité nominal est testé pour les appareils avec le tuyau d'une longueur de 5m (16,5 pieds) (en Amérique du Nord, la longueur du tuyau standard est de 7,5m (25')). Un tuyau minimum de 3m est requis pour minimiser les vibrations et le bruit excessif. En zone tropicale spéciale, pour les modèles de réfrigérant R290, aucun réfrigérant ne peut être ajouté et la longueur maximale du tuyau de réfrigérant ne doit pas dépasser 10m (32,8 pieds). Reporter au tableau ci-dessous pour connaître les spécifications relatives à la longueur maximale et à la hauteur de descente de la tuyauterie.

Longueur maximale et hauteur de descente de la tuyauterie de réfrigérant par modèle d'appareil.

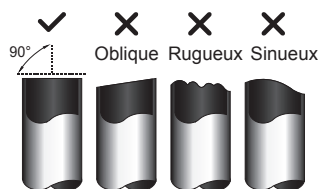
Modèle	Capacité (BTU/h)	Max. Longueur (m)	Max. Hauteur de descente (m)
Climatiseur split à FV R410A, R32	<15 000	25 (82 pieds)	10 (33 pieds)
	≥ 15 000 et < 24 000	30 (98,5 pieds)	20 (66 pieds)
	≥ 24 000 et < 36 000	50 (164 pieds)	25 (82 pieds)
Climatiseur split à vitesse fixe R22	<18 000	10 (33 pieds)	5 (16 pieds)
	≥ 18 000 et < 21 000	15 (49 pieds)	8 (26 pieds)
	≥ 21 000 et < 35 000	20 (66 pieds)	10 (33 pieds)
Climatiseur split à vitesse fixe R410A, R32	<18 000	20 (66 pieds)	8 (26 pieds)
	≥ 18 000 et < 36 000	25 (82 pieds)	10 (33 pieds)

Instructions de raccordement - Tuyauterie de réfrigérant

Étape 1 : Couper des tuyaux

Lors de la préparation des tuyaux de réfrigérant, prendre extra soin à les couper et les évaser correctement. Cela garantira un fonctionnement efficace et minimisera le besoin de maintenance future.

1. Mesurer la distance entre les unités intérieures et extérieures.
2. À l'aide d'un coupe-tube, couper le tuyau un peu plus long que la distance mesurée.
3. S'assurer que le tuyau est coupé à un angle parfait de 90°.



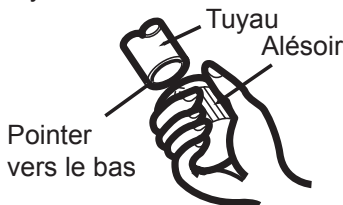
NE PAS DÉFORMER LE TUYAU LORS DU COUPAGE

Être vraiment prudent à ne pas endommager, bosseler ou déformer le tuyau lors du coupage. Cela réduira considérablement l'efficacité de chauffage de l'appareil.

Étape 2 : Enlever les bavures

Les bavures peuvent affecter le joint étanche à l'air de Raccordement de la Tuyauterie de Réfrigérant. Ils doivent être complètement enlevés.

1. Tenir le tuyau à un angle vers le bas pour éviter que des bavures ne tombent dans le tuyau.
2. À l'aide d'un alésoir ou d'un outil d'ébavurage, enlever toutes les bavures de la section coupée du tuyau.

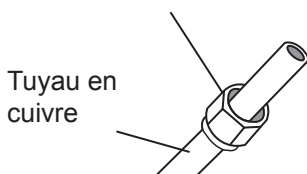


Étape 3 : Évaser les extrémités des tuyaux

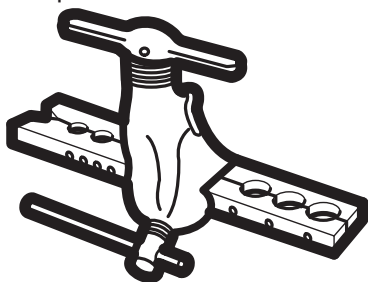
Un bon évasement est essentiel pour obtenir le joint étanche à l'air.

1. Après avoir enlevé les bavures du tuyau coupé, sceller les extrémités avec du ruban en PVC pour éviter l'entrée des corps étrangers dans le tuyau.
2. Gainer le tuyau avec un matériau isolant.
3. Placer les écrous à embase aux deux extrémités du tuyau. S'assurer qu'ils sont dans la bonne direction, car vous ne pouvez pas les mettre ou changer leur direction après les avoir évasés.

Écrou à embase



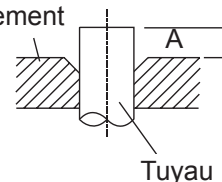
4. Enlever le ruban en PVC des extrémités du tuyau lorsque vous êtes prêt à effectuer le travail d'évasement.
5. Fixer la forme d'évasement au bout du tuyau. L'extrémité du tuyau doit dépasser du bord de la forme plate conformément aux dimensions indiquées dans le tableau ci-dessous.



EXTENSION DE TUYAUTERIE AU-DELA DU FORME D'ÉVASEMENT

Diamètre extérieur du tuyau (mm)	A (mm)	
	Min.	Max.
ø6,35 (ø0,25")	0,7 (0,0275")	1,3 (0,05")
ø9,52 (ø0,375")	1,0 (0,04")	1,6 (0,063")
ø12,7 (ø0,5")	1,0 (0,04")	1,8 (0,07")
ø16 (ø0,63")	2,0 (0,078")	2,2 (0,086")
ø19 (ø0,75")	2,0 (0,078")	2,4 (0,094")

Forme d'évasement



Tuyau

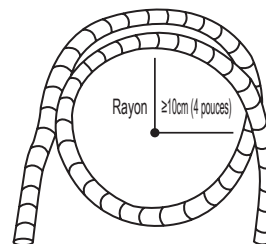
6. Placer l'outil d'évasement sur la forme.
7. Tourner la poignée de l'outil d'évasement dans le sens des aiguilles d'une montre jusqu'à ce que le tuyau soit complètement évasé.
8. Enlever l'outil d'évasement et la forme d'évasement, puis examiner l'extrémité du tuyau pour y déceler des fissures et même un évasement.

Étape 4 : Connecter des tuyaux

Lors du raccordement des tuyaux de réfrigérant, veiller à ne pas utiliser la torque excessive ni à déformer le tuyau de quelque manière que ce soit. Vous devez d'abord connecter le tuyau à basse pression, puis le tuyau à haute pression.

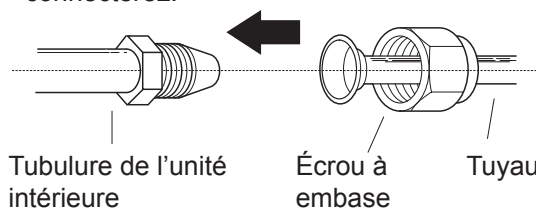
Rayon de courbure minimal

Lors du pliage d'une tuyauterie de réfrigérant connectif, le rayon de courbure minimal est de 10 cm.

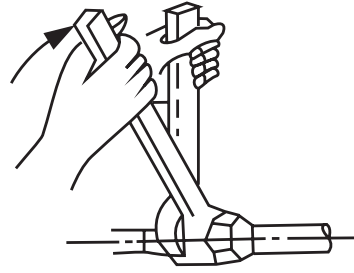


Instructions pour connecter la tuyauterie à l'unité intérieure

1. Aligner le centre des deux tuyaux que vous connecterez.



- Serrer à la main l'écrou à embase aussi fermement que possible.
- À l'aide d'une clé, pincer l'écrou sur la tubulure de l'appareil.
- Tout en serrant fermement l'écrou sur le tube de l'appareil, utiliser une clé dynamométrique pour serrer l'écrou à embase conformément aux valeurs de torque indiquées dans le tableau des **Exigences de torque** ci-dessous. Desserrer légèrement l'écrou évasé, puis resserrer à nouveau.



EXIGENCES DE TORQUE

Diamètre extérieur du tuyau (mm)	Couple de serrage (N.m)	Dimension d'évasement (B) (mm)	Forme d'évasement
ø6,35 (ø0,25")	18 - 20 (180 - 200kgf.cm)	8,4 - 8,7 (0,33 - 0,34")	
ø9,52 (ø0,375")	32 - 39 (320 - 390kgf.cm)	13,2 - 13,5 (0,52 - 0,53")	
ø12,7 (ø0,5")	49 - 59 (490 - 590kgf.cm)	16,2 - 16,5 (0,64 - 0,65")	
ø16 (ø0,63")	57 - 71 (570 - 710kgf.cm)	19,2 - 19,7 (0,76 - 0,78")	
ø19 (ø0,75")	67 - 101 (670 - 1010kgf.cm)	23,2 - 23,7 (0,91 - 0,93")	

NE PAS UTILISER LA TORQUE EXCESSIVE

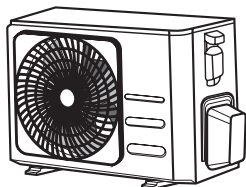
Une force excessive peut casser l'écrou ou endommager la tuyauterie de réfrigérant. Vous ne devez pas dépasser les exigences de torque indiquées dans le tableau ci-dessus.

Instructions pour connecter la tuyauterie à l'unité extérieure

- Dévisser le couvercle de la vanne à garniture sur le côté de l'unité extérieure.
- Enlever les capuchons de protection des extrémités des vannes.
- Aligner l'extrémité du tuyau d'évasement avec chaque vanne et serrer l'écrou à embase aussi fermement que possible à la main.
- À l'aide d'une clé, pincer le corps de la vanne. Ne pas pincer l'écrou qui ferme la vanne de service.
- Desserrer légèrement l'écrou évasé, puis resserrer à nouveau.
- Répéter les étapes 3 à 6 pour le tuyau restant.

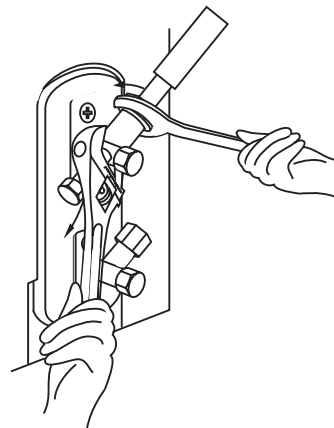
UTILISER LA CLÉ POUR PINCER LE CORPS PRINCIPAL DE LA VANNE

La torque pour le serrage de l'écrou à embase peut détacher d'autres parties de la vanne.



Couvercle de vanne

- Tout en tenant fermement le corps de la vanne, serrer l'écrou à embase à l'aide d'une clé de torque en fonction des valeurs de torque correctes.



Évacuation d'air

Préparation et précaution

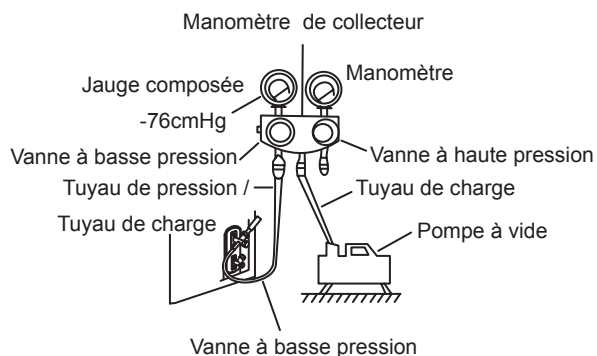
L'air et des corps étrangers dans le circuit de réfrigérant peuvent provoquer une augmentation anormale de la pression, ce qui peut endommager le climatiseur, réduire son efficacité et causer des blessures. Utilisez une pompe à vide et un manomètre de collecteur pour évacuer le circuit de réfrigérant, en éliminant tout gaz non condensable et toute humidité du système. L'évacuation doit être effectuée lors de l'installation initiale et lorsque l'appareil est déplacé.

AVANT D'EFFECTUER L'ÉVACUATION

- Vérifiez les tuyaux de connexion entre les unités intérieure et extérieure pour assurer qu'ils sont correctement connectés.
- Assurez-vous que tout le câblage est correctement connecté.

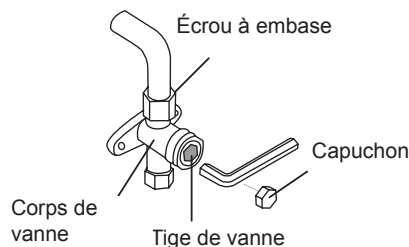
Instructions d'évacuation

1. Connectez le tuyau de charge du manomètre de collecteur au port d'entretien de la vanne de basse pression de l'unité extérieure.
2. Connectez un autre tuyau de charge du manomètre de collecteur à la pompe à vide.
3. Ouvrez le côté à Basse Pression du manomètre de collecteur. Gardez le côté à Haute Pression fermé.
4. Démarrez la pompe à vide pour évacuer le système.
5. Faites fonctionner à vide pendant au moins de 15 minutes ou jusqu'à ce que le débitmètre composé indique -76cmHG (-10^5Pa).



6. Fermez le côté à Basse pression du manomètre de collecteur et arrêtez la pompe à vide.
7. Attendez 5 minutes, puis vérifiez qu'il n'y a pas eu de changement dans la pression du système.

8. Si la pression du système change, consultez la section Vérification des fuites de gaz pour savoir comment vérifier les fuites. S'il n'y a pas de changement de pression dans le système, dévisser le capuchon de la vanne à garniture (vanne à haute pression).
9. Insérez une clé hexagonale dans la vanne à garniture (vanne haute pression) et ouvrez la vanne en tournant la clé d'un quart de tour dans le sens inverse des aiguilles d'une montre. Écoutez si du gaz sort du système, puis fermez la vanne au bout de 5 secondes.
10. Observez le Manomètre pendant une minute pour assurer qu'il n'y a pas de changement de pression. Le manomètre doit indiquer une pression légèrement supérieure à la pression atmosphérique.
11. Enlevez le tuyau de charge du port d'entretien.



12. À l'aide d'une clé hexagonale, ouvrez complètement les vannes à haute pression et à basse pression.
13. Serrez à la main les bouchons des trois soupapes (orifice de service, haute pression, basse pression). Vous pouvez le serrer davantage à l'aide d'une clé dynamométrique si nécessaire.

! OUVRIR DÉLICATEMENT DE TIGE DE VANNE

Lorsque vous ouvrez les tiges de vanne, tournez la clé hexagonale jusqu'à ce qu'elle frappe le bouchon. Ne pas essayer de forcer la vanne à l'ouvrir davantage.

Note relative à l'ajout de réfrigérant

Certains systèmes nécessitent une charge supplémentaire en fonction de la longueur du tuyau. La longueur standard du tuyau varie en fonction de la réglementation locale. Par exemple, en Amérique du Nord, la longueur standard des tuyaux est de 7,5 m (25').

Dans les autres zones, la longueur standard du tuyau est de 5 m (16'). Le réfrigérant doit être chargé à partir du port d'entretien situé sur la vanne à basse pression de l'unité extérieure. Le réfrigérant supplémentaire à charger peut être calculé à l'aide de la formule suivante :

RÉFRIGÉRANT SUPPLÉMENTAIRE PAR LONGUEUR DE TUYAU

Longueur du tuyau de raccordement (m)	Méthode de purge d'air	Réfrigérant supplémentaire	
≤ longueur standard du tuyau	Pompe à vide	N/A	
> longueur standard du tuyau	Pompe à vide	Côté liquide : ø6,35 (ø 0,25") R32 : (Longueur du tuyau - longueur standard) × 12g/m (Longueur du tuyau - longueur standard) × 0,13oz/pied R290 : (Longueur du tuyau - longueur standard) × 10g/m (Longueur de tuyau - longueur standard) × 0,10oz/pied R410A : (Longueur du tuyau - longueur standard) × 15g/m (Longueur du tuyau - longueur standard) × 0,16oz/pied R22 : (Longueur du tuyau - longueur standard) × 20g/m (Longueur de tuyau - longueur standard) × 0,21oz/pied	Côté liquide : ø 9,52 (ø 0,375") R32 : (Longueur du tuyau - longueur standard) × 24g/m (Longueur de tuyau - longueur standard) × 0,26oz/pied R290 : (Longueur du tuyau - longueur standard) × 18g/m (Longueur du tuyau - longueur standard) × 0,19oz/pied R410A : (Longueur du tuyau - longueur standard) × 30g/m (Longueur de tuyau - longueur standard) × 0,32oz/pied R22 : (Longueur du tuyau - longueur standard) × 40g/m (Longueur de tuyau - longueur standard) × 0,42oz/pied

Pour l'appareil de réfrigérant R290, la quantité totale de réfrigérant à charger ne dépasse pas :

387g(≤9000Btu/h), 447g(>9000Btu/h et ≤12000Btu/h), 547g(>12000Btu/h et ≤18000Btu/h), 632g(>18000Btu/h et ≤24000Btu/h).



ATTENTION NE PAS mélanger les types de réfrigérants.

Vérification des fuites de gaz et d'électricité

Avant la mise en service

N'effectuez la mise en service qu'après avoir suivi les étapes suivantes :

- **Contrôles de sécurité électrique** - Confirmez que le système électrique de l'appareil est sûr et fonctionne correctement
- **Vérification des fuites de gaz** - Vérifiez toutes les connexions d'écrous à embase et confirmez que le système n'a pas de fuite
- Confirmez que les vannes à gaz et à liquide (haute et basse pression) sont complètement ouvertes

Contrôles de sécurité électrique

Après l'installation, confirmez que tout le câblage électrique est installé conformément aux réglementations locales et nationales, et selon le manuel d'installation.

AVANT LA MISE EN SERVICE

Vérifiez le travail de mise à la terre

Mesurez la résistance de mise à la terre par détection visuelle et avec un testeur de résistance de terre. La résistance de mise à la terre doit être inférieure à $0,1\Omega$.

Note : Cela peut ne pas être nécessaire pour certains endroits en Amérique du Nord.

PENDANT LA MISE EN SERVICE

Vérifiez les fuites électriques

Pendant la mise en service, utilisez un probe électrique et un multimètre pour effectuer un test de fuite électrique complet.

Si une fuite d'électricité est détectée, éteignez immédiatement l'appareil et appeler un électricien agréé pour rechercher et résoudre le problème.

Note : Cela peut ne pas être nécessaire pour certains endroits en Amérique du Nord.

AVERTISSEMENT - RISQUE DE CHOC ÉLECTRIQUE

TOUT LE CÂBLAGE DOIT ÊTRE CONFORME AUX CODES ÉLECTRIQUES LOCAUX ET NATIONAUX ET DOIT ÊTRE INSTALLÉ PAR UN ÉLECTRICIEN AGRÉÉ.

Vérification des fuites de gaz

Il existe deux méthodes différentes pour vérifier les fuites de gaz.

Méthode de savon et d'eau

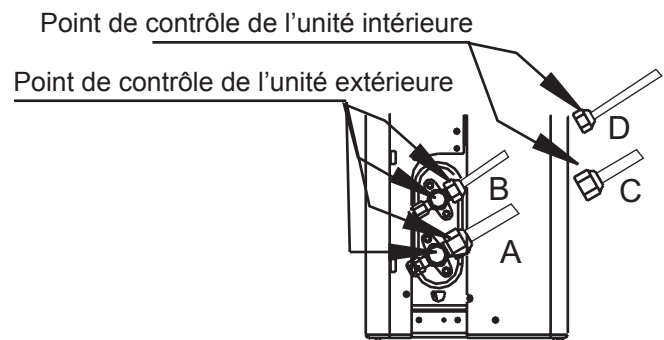
À l'aide d'une brosse douce, appliquer de l'eau savonneuse ou un détergent liquide sur tous les points de raccordement des tuyaux des unités intérieure et extérieure. La présence de bulles indique une fuite.

Méthode du détecteur de fuite

Si vous utilisez un détecteur de fuite, consultez le manuel d'utilisation du dispositif pour connaître les instructions d'utilisation appropriées.

APRÈS AVOIR RÉALISÉ DE VÉRIFICATION DES FUITE DE GAZ

Après avoir vérifié que tous les points de raccordement des tuyaux NE FUIENT PAS, remplacez le couvercle de la vanne sur l'unité extérieure.



A : Vanne d'arrêt basse pression

B : Vanne d'arrêt haute pression

C&D : Ecrus de fusée pour unité intérieure

Mise en service

Instructions de Mise en Service

Vous devez effectuer la **mise en service** pendant au moins 30 minutes.

1. Branchez l'alimentation à l'unité.
2. Appuyez sur le bouton **ON/OFF** de la télécommande pour l'allumer.
3. Appuyez sur le bouton **MODE** pour faire la tour des fonctions suivantes, une à la fois:
 - COOL- Sélectionnez la température la plus basse possible
 - HEAT - Sélectionnez la température la plus élevée possible
4. Laissez chaque fonction fonctionner pendant 5 minutes, et effectuez les vérifications suivantes :

Liste des contrôles à effectuer	RÉUSSITE/ÉCHEC	
Pas de fuite électrique		
L'unité est correctement mis à la terre		
Tous les terminaux électriques sont correctement couverts		
Les unités intérieures et extérieures sont solidement installées		
Tous les points de raccordement des tuyaux ne fuient pas	Extérieur (2) :	Intérieur (2) :
L'eau s'écoule correctement du tuyau de vidange		
Toute la tuyauterie est correctement isolée		
L'unité assure correctement la fonction COOL		
L'unité assure correctement la fonction HEAT		
Les volets de l'unité intérieure tournent correctement		
L'unité intérieure répond à la télécommande		

DOUBLE CONTRÔLE AUX RACCORDEMENTS DE TUYAUX

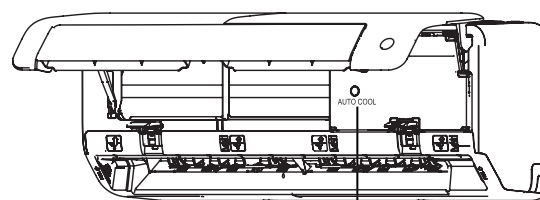
Pendant le fonctionnement, la pression du circuit réfrigérant augmente. **Cela peut révéler des fuites qui n'étaient pas présentes lors de votre contrôle initiale.** Prenez le temps, pendant la mise en service, de vérifier que tous les points de raccordement des conduites de réfrigérant ne présentent pas de fuites. Veuillez reporter à la section **Vérification des fuites de gaz** pour les instructions.

5. Une fois que la mise en service est terminée avec succès et que vous avez confirmé que tous les points de contrôle de la liste des contrôles à effectuer sont passés, procédez comme suit :
 - a. **À l'aide de la télécommande, ramenez l'unité à sa température normale de fonctionnement.**
 - b. **À l'aide de ruban isolant, enveloppez les raccords des tuyaux de réfrigérant intérieur que vous avez laissés découverts lors de l'installation de l'unité intérieure.**

SI LA TEMPÉRATURE AMBIANTE EST INFÉRIEURE À 17°C (62°F)

Vous ne pouvez pas utiliser la télécommande pour activer la fonction COOL lorsque la température ambiante est inférieure à 17°C. Dans ce cas, vous pouvez utiliser le bouton **MANUAL CONTROL** pour tester la fonction COOL.

1. Le bouton MANUAL CONTROL est situé sur le panneau latéral droit de l'appareil.
2. Appuyez deux fois sur le bouton pour sélectionner la fonction COOL.
3. Effectuez une la mise en service normalement.



Bouton de commande manuelle

Emballage et déballage de l'unité

Instructions pour l'emballage et le déballage de l'appareil :

Déballage :

Unité intérieure :

1. Coupez le ruban d'étanchéité sur le carton avec un couteau, une coupe à gauche, une coupe au milieu et une coupe à droite.
2. Utilisez l'étau pour retirer les clous de fermeture sur le dessus du carton.
3. Ouvrez le carton.
4. Retirez la plaque de support centrale si elle est incluse.
5. Sortez l'emballage des accessoires et le fil de connexion s'il est inclus.
6. Sortez la machine du carton et posez-la à plat.
7. Retirez la mousse d'emballage gauche et droite ou la mousse d'emballage supérieure et inférieure, détachez le sac d'emballage.

Unité extérieure :

1. Coupez la ceinture d'emballage.
2. Sortez l'appareil du carton.
3. Retirez la mousse de l'unité.
4. Retirez le sac d'emballage de l'appareil.

Emballage :

Unité intérieure :

1. Mettez l'unité intérieure dans le sac d'emballage.
2. Fixez les mousses d'emballage gauche et droite ou les mousses d'emballage supérieure et inférieure à l'unité.
3. Placez l'appareil dans le carton, puis placez l'emballage des accessoires.
4. Fermez le carton et scellez-le avec le ruban adhésif.
5. Utilisez la ceinture d'emballage si nécessaire.

Unité extérieure :

1. Mettez l'unité extérieure dans le sac d'emballage.
2. Mettez la mousse du fond dans la boîte.
3. Placez l'appareil dans le carton, puis mettez la mousse d'emballage supérieure sur l'appareil.
4. Fermez le carton et scellez-le avec le ruban adhésif.
5. Utilisez la ceinture d'emballage si nécessaire.

NOTE : Veuillez conserver tous les éléments d'emballage si vous en avez besoin à l'avenir.



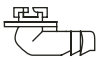
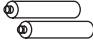


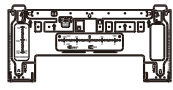




Manuale d'installazione

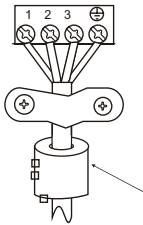
Accessori	17
Riepilogo dell'installazione - Unità interna	18
Parti dell'unità.....	19
Installazione unità interna	20
1. Selezionare il luogo di installazione	20
2. Fissare la piastra di montaggio a parete	20
3. Foro di perforazione della parete per tubazioni connettive	21
4. Preparare le tubazioni del refrigerante	22
5. Collegare il tubo di scarico	24
6. Collegare cavi di segnale e di alimentazione	25
7. Avvolgimento cavi.....	26
8. Montaggio dell'unità interna.....	27
Installazione unità esterna.....	27
1. Selezione del luogo di installazione.....	27
2. Installare il giunto di scarico	28
3. Ancoraggio unità esterna.....	28
4. Collegare cavi di segnale e di alimentazione	30
Collegamento delle tubazioni del refrigerante	31
A. Nota sulla lunghezza del tubo	31
B. Istruzioni di collegamento – Tubazioni refrigeranti	31
1. Taglio tubi	31
2. Rimozione bave	32
3. Estremità del tubo svasato	32
4. Collegare i tubi	32
Evacuazione dell'aria	34
1. Istruzioni per l'evacuazione	34
2. Nota sull'aggiunta del refrigerante.....	35
Controlli delle perdite elettriche e di gas	36
Esecuzione del test	37
Imballaggio e disimballaggio dell'unità.....	38

Unità interna	Unità esterna	Tensione nominale e Hz
42QHE009D8SH	38QHE009D8SH	220-240V~ 50/60 Hz
42QHE012D8SH	38QHE012D8SH	
42QHE018D8SH	38QHE018D8SH	
42QHE024D8SH	38QHE024D8SH	

Accessori

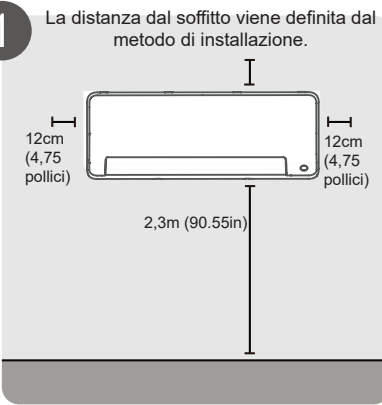
Il sistema del condizionatore d'aria viene fornito con i seguenti accessori. Utilizzare tutte le parti di installazione e gli accessori per installare il condizionatore d'aria. Un'installazione impropria può causare perdite d'acqua, scosse elettriche, incendi o il guasto dell'apparecchiatura. Gli articoli non inclusi con il condizionatore d'aria devono essere acquistati separatamente.

Nome degli accessori	Quantità (pezzo)	Forma	Nome degli accessori	Quantità (pezzo)	Forma
Manuale	2-3		Telecomando	1	
Giunto di scarico (per i modelli con raffreddamento e riscaldamento)	1		Batteria	2	
Guarnizione (per i modelli con raffreddamento e riscaldamento)	1		Supporto per telecomando (opzionale)	1	
Piastra di montaggio	1		Vite di fissaggio per porta telecomando (opzionale)	2	
Ancora	5~8 (a seconda dei modelli)		Filtro piccolo (deve essere installato sul retro del filtro dell'aria principale dal tecnico autorizzato durante l'installazione della macchina)	1 ~ 2 (dipende dai modelli)	
Vite di fissaggio della piastra di montaggio	5~8 (dipende dai modelli)				

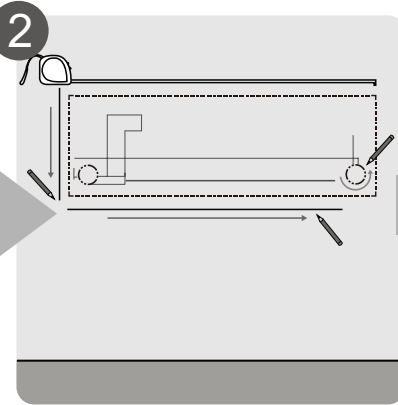
Nome	Forma	Quantità (PC)	
Assemblaggio tubo di collegamento	Lato liquido	$\varnothing 6,35$ (1/4 in) $\varnothing 9,52$ (3/8 in)	Parti che è necessario acquistare separatamente. Consultare il rivenditore in merito alle dimensioni corrette del tubo dell'unità da comprare.
	Lato gas	$\varnothing 9,52$ (3/8in)	
		$\varnothing 12,7$ (1/2in)	
		$\varnothing 16$ (5/8 in)	
		$\varnothing 19$ (3/4in)	
	Anello magnetico e cintura (se in dotazione, fare riferimento allo schema elettrico per installarlo sul cavo connettivo.)	 <p>Passare la cinghia attraverso il foro dell'anello magnetico per fissarla sul cavo</p>	

Riepilogo dell'installazione - Unità interna

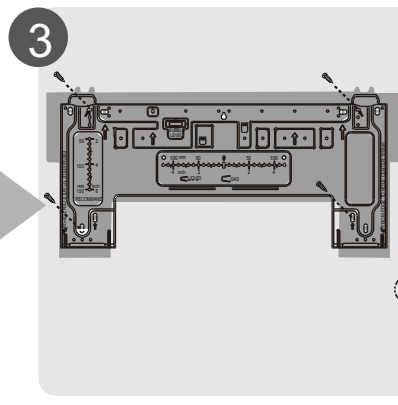
- 1 La distanza dal soffitto viene definita dal metodo di installazione.



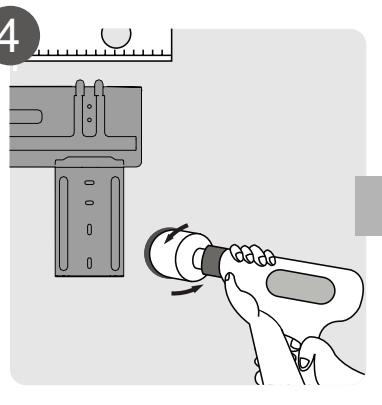
Selezionare la posizione di installazione
- 2



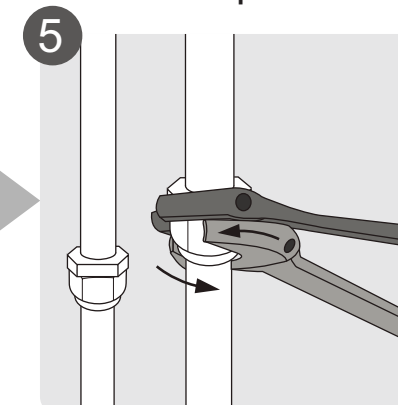
Determinare la posizione del foro della parete
- 3



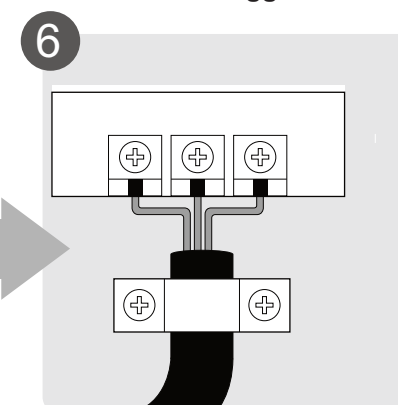
Collegare la piastra di montaggio
- 4




Perforare un foro sulla parete
- 5



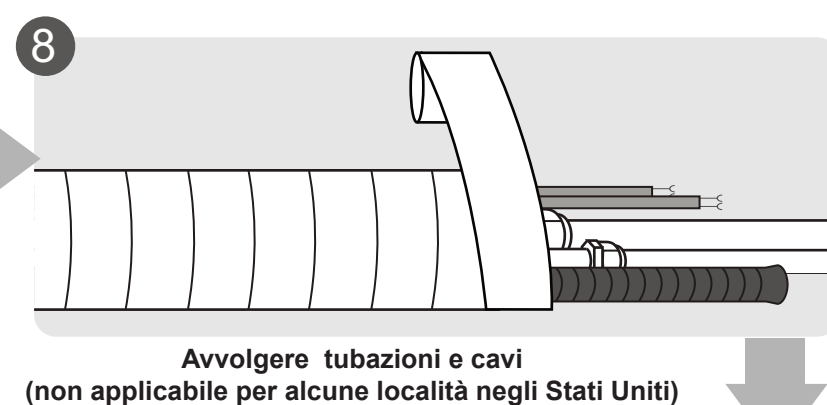
Collegare le tubazioni
- 6



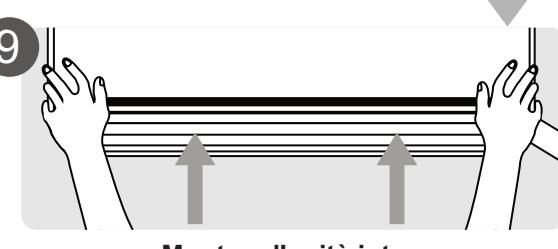
**Collegare il cablaggio
(non applicabile per alcune località negli Stati Uniti)**
- 7



Preparare il tubo flessibile di scarico
- 8



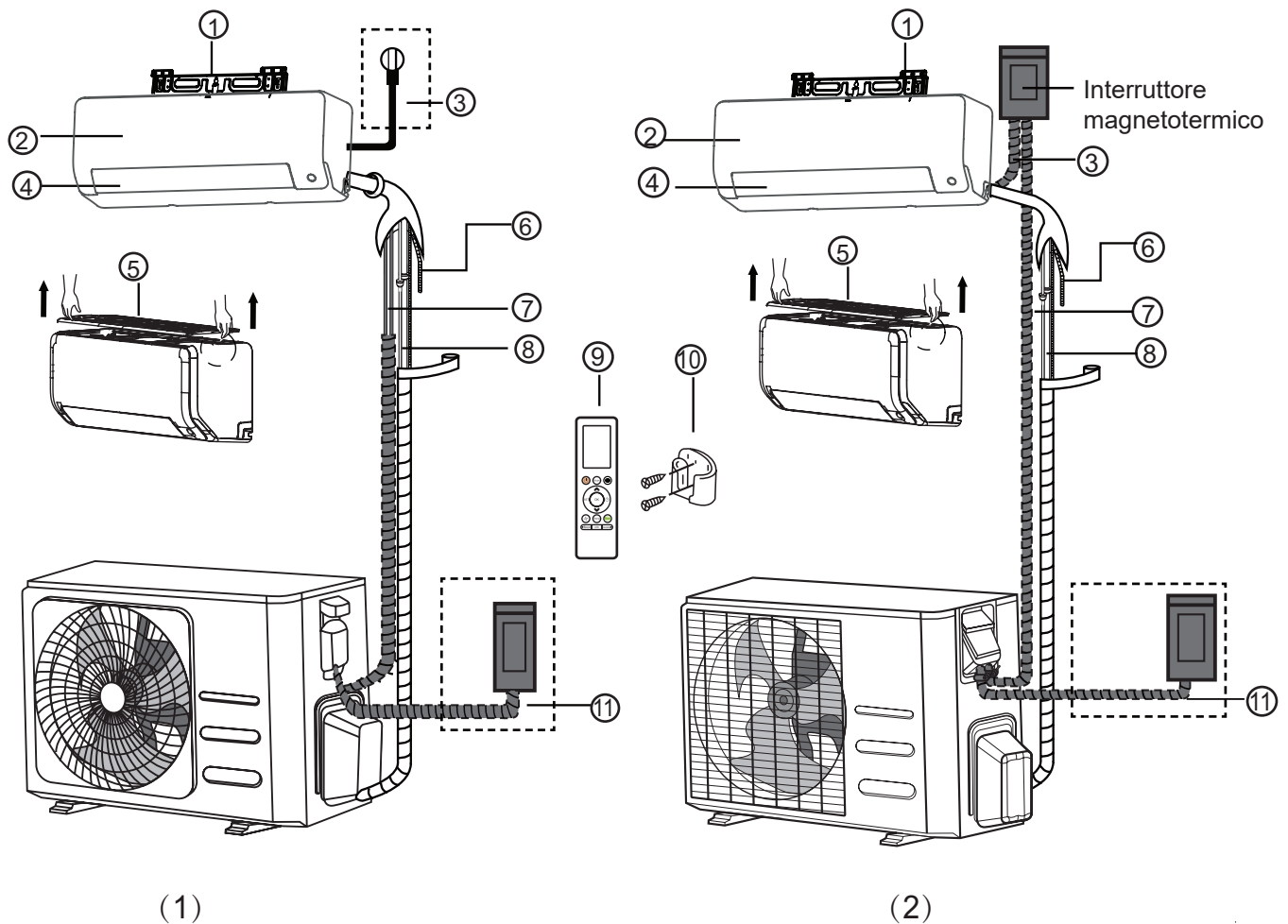
**Avvolgere tubazioni e cavi
(non applicabile per alcune località negli Stati Uniti)**
- 9



Montare l'unità interna

Parti dell'unità

NOTA L'installazione deve essere eseguita in conformità con i requisiti delle norme locali e nazionali. L'installazione può essere leggermente diversa in aree diverse.



- | | | |
|--|-------------------------------|---|
| ① Piastra di montaggio a parete | ⑤ Filtro dell'aria (estrarlo) | ⑨ Telecomando |
| ② Pannello frontale | ⑥ Tubo di drenaggio | ⑩ Supporto per telecomando (per alcune unità) |
| ③ Cavo di alimentazione (per alcune unità) | ⑦ Cavo di segnale | ⑪ Cavo di alimentazione dell'unità esterna (per alcune unità) |
| ④ Aletta | ⑧ Tubazioni refrigeranti | |

NOTA SULLE FIGURE

Le illustrazioni in questo manuale sono per scopi esplicativi. La forma effettiva dell'unità interna può essere leggermente diversa. La forma effettiva prevarrà.

Installazione unità interna

Istruzioni per l'installazione – Unità interna

PRIMA DELL'INSTALLAZIONE

Prima di installare l'unità interna, fare riferimento all'etichetta sull'imballaggio del prodotto per assicurarsi che il numero di modello dell'unità interna corrisponda al numero di modello dell'unità esterna.

Passaggio 1: Selezionare il luogo di installazione

Prima di installare l'unità interna, è necessario scegliere una posizione appropriata. Di seguito sono riportati gli standard che consentono di scegliere una posizione appropriata per l'unità.

Le posizioni di installazione appropriate soddisfano i seguenti standard:

- Buona circolazione dell'aria
- Drenaggio conveniente
- Il rumore dell'unità non creerebbe disturbi per le altre persone
- Sicuro e stabile: il luogo non subisce di vibrazioni
- È abbastanza forte da sostenere il peso dell'unità
- Un luogo ad almeno un metro da tutti gli altri dispositivi elettrici (ad esempio, TV, radio, computer)

NON installare l'unità nei seguenti luoghi:

- Vicino a qualsiasi fonte di calore, vapore o gas combustibile
- Vicino a oggetti infiammabili come tende o vestiti
- Vicino a qualsiasi ostacolo che potrebbe bloccare la circolazione dell'aria
- Vicino alla porta
- In un luogo soggetto alla luce solare diretta

NOTA SUL FORO DELLA PARETE:

Se non ci sono tubazioni fisse del refrigerante: Durante la selezione di un luogo, tenere presente che è necessario lasciare ampio spazio per un foro a parete (vedi Forare la parete per il passaggio di tubazione connettiva), in questo modo, il cavo di segnale e le tubazioni del refrigerante possono collegare le unità interne ed esterne. La posizione predefinita per tutte le tubazioni è il lato destro dell'unità interna (mentre è rivolta verso l'unità). Tuttavia, l'unità può ospitare tubazioni sia a sinistra che a destra.

Fare riferimento al seguente diagramma per garantire la corretta distanza da pareti e soffitto:



NOTA

- **Se non è necessario il supporto posteriore per sostenere l'unità:**

Completare i collegamenti di tubi e cavi prima di montare l'unità interna sulla parete. Se l'altezza di installazione è limitata, è accettabile una distanza di 5 cm dal soffitto, ma ciò può ridurre le prestazioni del prodotto. Per garantire spazio sufficiente per installare e rimuovere il filtro dell'aria superiore, tenere una distanza di almeno 10 cm o più dal soffitto.

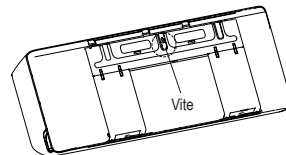
- **È necessario il supporto posteriore per sostenere l'unità:**

Se si collegano tubi e cavi con pannello frontale aperto, la distanza minima dal soffitto è di 22 cm o più, se si collegano tubo e cavo senza pannello frontale (rimuoverlo), la distanza minima dal soffitto è di 11 cm o più.

Passaggio 2: Fissare la piastra di montaggio a parete

La piastra di montaggio è il dispositivo su cui si monterà l'unità interna.

- Rimuovere la vite che fissa la piastra di montaggio sul retro dell'unità interna.



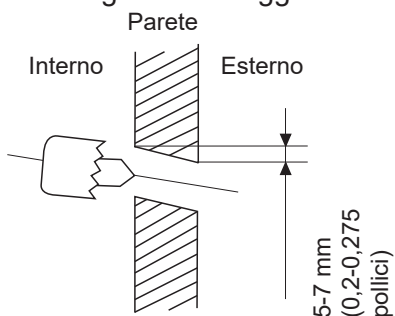
- Fissare la piastra di montaggio alla parete con le viti fornite. Assicurarsi che la piastra di montaggio sia piatta contro la parete.

NOTA PER MURI DI CEMENTO O MATTONI:

Se il muro è fatto di mattoni, cemento o materiale simile, praticare fori di 5 mm di diametro (0,2 pollici di diametro) nel muro e inserire i tasselli di ancoraggio forniti. Poi fissare la piastra di montaggio alla parete stringendo le viti direttamente negli ancoraggi della clip.

Fase 3: Foro di perforazione della parete per tubazioni connettive

1. Determinare la posizione del foro a parete in base alla posizione della piastra di montaggio. Fare riferimento a Dimensioni piastra di montaggio.
2. Utilizzando un trapano con punta da 65 mm (2,5") o 90 mm (3,54") (a seconda dei modelli), fare un foro nella parete. Assicurarsi che il foro sia praticato con un leggero angolo verso il basso, in modo che l'estremità esterna del foro sia inferiore all'estremità interna di circa 5 mm a 7 mm (0,2-0,275 pollici). Ciò garantirà un adeguato drenaggio dell'acqua.



NOTA: Quando il tubo connettivo lato gas è Φ 16mm (5/8in) o più, il foro della parete deve essere di 90mm (3.54in).

3. Posizionare il paramano nel foro. Questo protegge i bordi del foro e aiuterà a sigillare quando si finisce il processo di installazione.



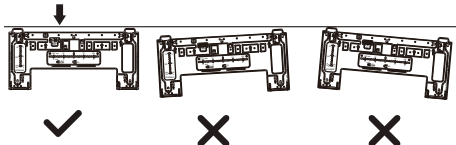
CAUTELA

Quando fora la parete, assicurarsi di evitare fili, impianti idraulici e altri componenti sensibili.

DIMENSIONI PIASTRA DI MONTAGGIO

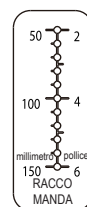
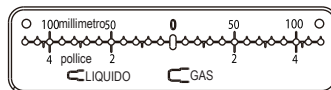
Diversi modelli hanno piastre di montaggio diverse. Per comodità di installazione, ci sono livelli di bolle, dimensioni scolpite sulla piastra di montaggio. Si prega di installare la piastra e praticare il foro a parete in base alle informazioni della piastra di montaggio. Vedi le figure qui sotto.

Corretto orientamento della piastra di montaggio



Unità: mm (pollice)

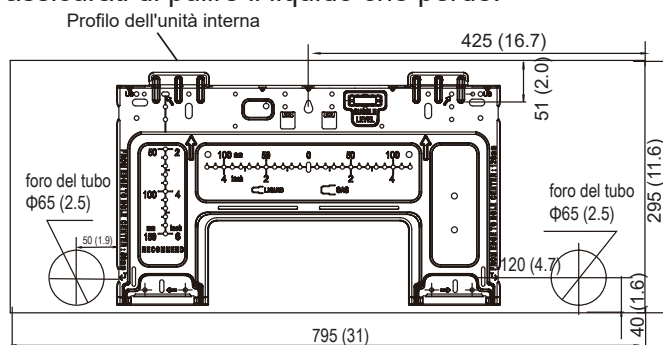
Righello direzionale orizzontale



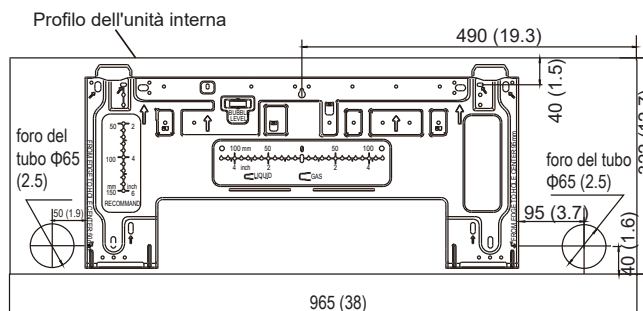
Righello direzione verticale



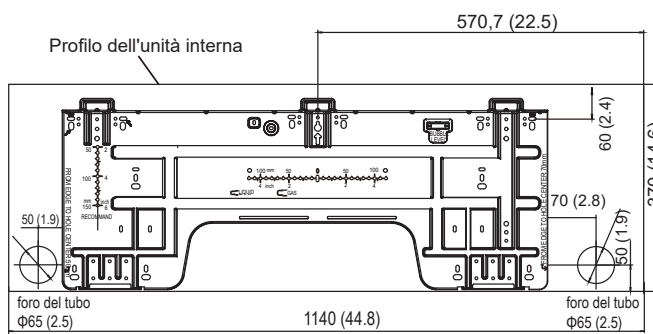
ATTENZIONE: Il livello a bolle sulla piastra di montaggio non può essere rimosso. Se è rotto, assicurati di pulire il liquido che perde.



Modello A



Modello B



Modello C

Installazione unità interna

Fase 4: Preparare le tubazioni del refrigerante

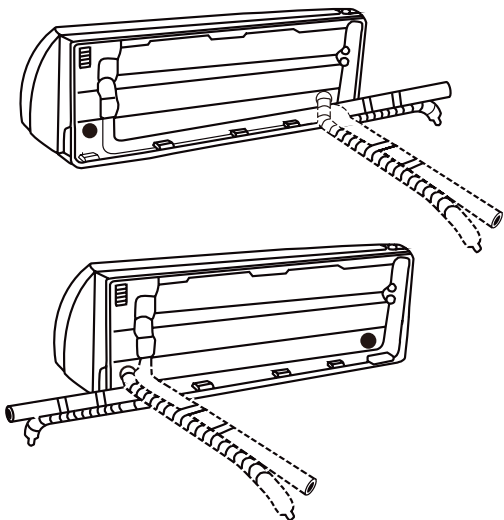
Le tubazioni del refrigerante si trovano all'interno di un manicotto isolante attaccato al retro dell'unità. È necessario preparare la tubazione prima di passarla attraverso il foro nel muro. Fare riferimento alla sezione Collegamento tubazioni di refrigerante di questo manuale per istruzioni dettagliate sui requisiti di svasatura del tubo e coppia di svasatura, sulle specifiche tecniche, ecc.

NOTA SULL'ANGOLO DI TUBAZIONE

Le tubazioni del refrigerante possono uscire dall'unità interna da quattro diverse angolazioni:

- Sinistra
- Posteriore sinistro
- Destra
- Posteriore destra

Fare riferimento alle figure seguenti per i dettagli.



NOTA SUL COLLEGAMENTO DELLE TUBAZIONI

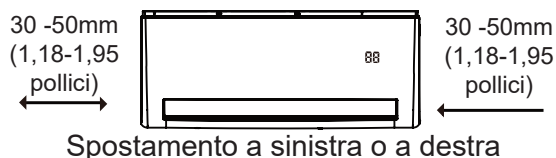
- In alcune località degli Stati Uniti, è necessario utilizzare un tubo del condotto per collegare il cavo. Per garantire uno spazio sufficiente per i tubi in funzione e la posizione della macchina contro la parete dopo l'installazione, si consiglia di collegare il tubo flessibile di scarico sul lato destro (quando ti rivolgi verso la parte posteriore dell'unità).
- Quando si sceglie la tubazione sul lato sinistro o destro, assicurarsi che i tubi escono orizzontalmente in modo da non influire sull'installazione del pannello inferiore.

! ATTENZIONE

Prestare estrema attenzione a non ammaccare o danneggiare le tubazioni mentre le si piega lontano dall'unità. Eventuali ammaccature nelle tubazioni influenzeranno le prestazioni dell'unità. Se non ci sono tubazioni del refrigerante incorporate nella parete, effettuare le seguenti operazioni:

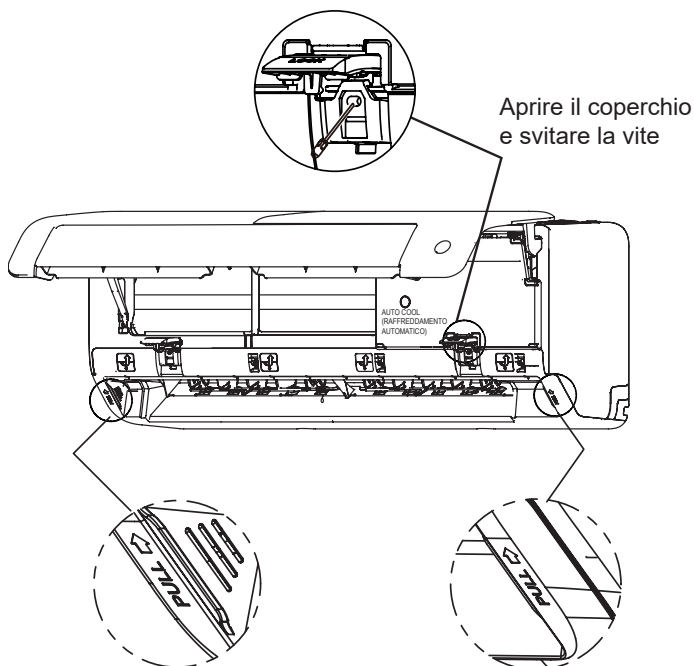
Fase 1: Agganciare l'unità interna alla piastra di montaggio:

1. Tenere presente che i ganci sulla piastra di montaggio sono più piccoli dei fori sul retro dell'unità. Se non si dispone di ampio spazio per collegare i tubi incorporati all'unità interna, l'unità può essere regolata a sinistra o a destra di circa 30-50 mm (1,18-1,95 pollici), a seconda del modello.

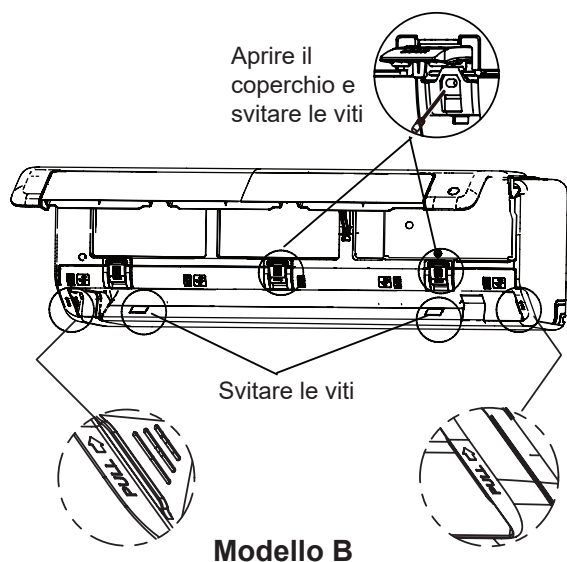


Fase 2: Preparare le tubazioni del refrigerante:

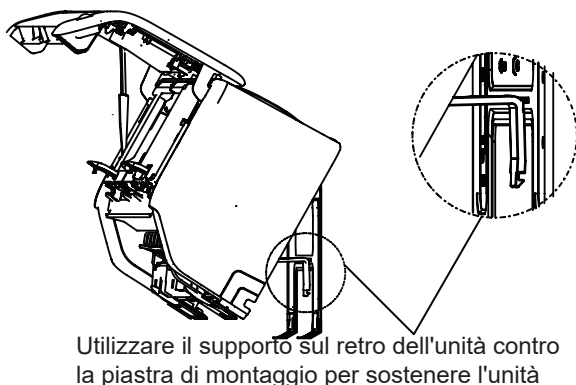
1. Aprire e fissare la posizione del pannello, poi, aprire i coperchi dei due blocchi di bloccaggio, svitare la vite mostrata nella foto qui sotto, successivamente tenere entrambi i lati del pannello inferiore nel punto contrassegnato "PULL (Tirare)", tirarlo verso l'alto per rilasciare le fibbie, poi abbassare il pannello inferiore.



Modello A



2. Utilizzare il supporto sul retro dell'unità per sostenere l'unità, in questo modo è disponibile uno spazio sufficiente per collegare le tubazioni del refrigerante, il cavo di segnale e il tubo di scarico.



Passaggio 3. Collegare il tubo flessibile di scarico e le tubazioni del refrigerante (fare riferimento alla sezione **Collegamento delle tubazioni del refrigerante** di questo manuale per le istruzioni).

Passaggio 4. Mantenere il punto di connessione del tubo esposto per eseguire il test di tenuta (fare riferimento alla sezione **Controlli Elettrici e Controlli delle Perdite** in questo manuale).

Passaggio 5. Dopo il test di tenuta, avvolgere il punto di connessione con nastro isolante.

Passaggio 6. Rimuovere la staffa o il cuneo che si appoggia con del nastro isolante.

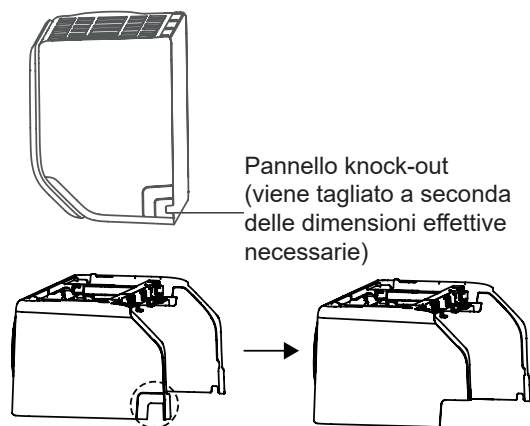
Passaggio 7. Usando una pressione uniforme, spingere verso il basso la metà inferiore dell'unità. Continuare a spingere verso il basso fino a quando l'unità non si aggancia ai ganci lungo la parte inferiore della piastra di montaggio.

Se non ci sono tubazioni del refrigerante incorporate nella parete, effettuare le seguenti operazioni:

1. In base alla posizione del foro della parete rispetto alla piastra di montaggio, scegliere il

lato da cui la tubazione uscirà dall'unità.

2. Se il foro della parete si trova dietro l'unità, mantenere il pannello knock-out in posizione. Se il foro della parete si trova sul lato dell'unità interna, rimuovere il pannello di plastica knock-out da quel lato dell'unità. (Vedi figura sotto). Questo creerà un'apertura attraverso la quale le tubazioni possono uscire dall'unità. Utilizzare pinze con naso ad ago se il pannello di plastica è troppo difficile da rimuovere a mano.



Se è necessario tagliare il pannello di plastica di grandi dimensioni, tagliare come mostrato sopra.

3. Utilizzare le forbici per ridurre la lunghezza del manico isolante per esporre circa 40 mm (1,57 pollici) delle tubazioni del refrigerante. Questo serve a due scopi:

- Per facilitare il processo di **Collegamento delle Tubazioni del refrigerante.**
- Per facilitare i **Controlli delle Perdite di Gas** e consentire di verificare la presenza di ammaccature

4. Utilizzare il supporto sul retro dell'unità per sostenere l'unità, in questo modo è disponibile uno spazio sufficiente per collegare le tubazioni del refrigerante, il cavo di segnale e il tubo di scarico.

5. Collegare le tubazioni del refrigerante dell'unità interna alle tubazioni connettive che uniranno le unità interne ed esterne. Fare riferimento alla sezione **Collegamento tubazioni del refrigerante** di questo manuale per istruzioni dettagliate.

6. In base alla posizione del foro della parete rispetto alla piastra di montaggio, determinare l'angolo necessario delle tubazioni.

7. Afferrare le tubazioni del refrigerante alla base della piega.

8. Lentamente, con una pressione uniforme, piegare le tubazioni verso il foro. **Non** ammaccare o danneggiare le tubazioni durante il processo.

Fase 5: Collegare il tubo di scarico

Per impostazione predefinita, il tubo di scarico è collegato al lato sinistro dell'unità (quando ti rivolgi verso il retro dell'unità). Tuttavia, può anche essere attaccato al lato destro. Per garantire un corretto drenaggio, collegare il tubo flessibile di scarico sullo stesso lato in cui le tubazioni del refrigerante escono dall'unità.

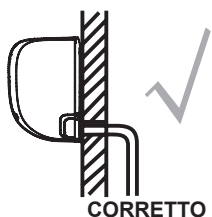
NOTA: In alcune località degli Stati Uniti, se la macchina ha il pannello del condotto installato, scegliere il drenaggio sul lato destro.

- Avvolgere saldamente il punto di connessione con nastro in teflon per garantire una buona tenuta e prevenire perdite.
- Rimuovere il filtro dell'aria e versare una piccola quantità di acqua nella vaschetta di scarico per assicurarsi che l'acqua scorra dall'unità senza intoppi.

NOTA SUL POSIZIONAMENTO DEL TUBO FLESSIBILE DI SCARICO

Assicurarsi di disporre il tubo di scarico in base alle seguenti figure.

- ⊘ **NON** attorcigliare il tubo flessibile di scarico.
- ⊘ **NON** creare una trappola d'acqua.
- ⊘ **NON** mettere l'estremità del tubo flessibile di scarico in acqua o in un contenitore che raccoglierà l'acqua.



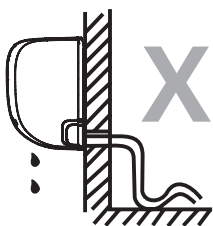
CORRETTO

Assicurarsi che non ci siano attorcigliamenti o ammaccature sul tubo flessibile di scarico per garantire un corretto drenaggio.



NON CORRETTO

Le pieghe nel tubo di scarico creeranno trappole d'acqua.



NON CORRETTO

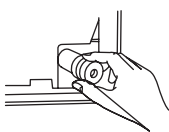
Le pieghe nel tubo di scarico creeranno trappole d'acqua.



NON CORRETTO

Non posizionare l'estremità del tubo flessibile di scarico in acqua o in contenitori che raccolgono acqua. Ciò impedirà un corretto drenaggio.

TAPPARE IL FORO DI SCARICO NON USATO



Per evitare perdite indesiderate, è necessario tappare il foro di scarico non usato con il tappo di gomma in dotazione.

PRIMA DI ESEGUIRE QUALSIASI LAVORO ELETTRICO, LEGGERE QUESTE NORMATIVE

1. Tutti i cablaggi devono essere conformi ai codici elettrici locali e nazionali, alle normative, e devono essere installati da un elettricista autorizzato.
2. Tutti i collegamenti elettrici devono essere effettuati secondo il Diagramma di Connessione Elettrica situato sui pannelli delle unità interne ed esterne.
3. Se c'è un grave problema di sicurezza con l'alimentazione, interrompere immediatamente il lavoro. Spiegare le motivazioni al cliente e rifiutare di installare l'unità fino a quando il problema di sicurezza non viene risolto correttamente.
4. La tensione di potenza deve essere compresa nel 90-110% della tensione nominale. Un'alimentazione insufficiente può causare malfunzionamenti, scosse elettriche o incendi.
5. Se si collega l'alimentazione al cablaggio fisso, è necessario installare un dispositivo di protezione contro le sovratensioni e un interruttore di alimentazione principale.
6. Se si collega l'alimentazione a un cablaggio fisso, un interruttore, o un interruttore che scollega tutti i poli e ha una separazione di contatto di almeno 1/8in (3 mm) deve essere incorporato nel cablaggio fisso. Un tecnico qualificato deve utilizzare un interruttore o un interruttore che scollega tutti i poli approvato.
7. Collegare l'unità solo a una singola presa di circuito di diramazione. Non collegare un altro apparecchio a tale presa.
8. Assicurarsi di porre adeguatamente a terra il condizionatore.
9. Ogni filo deve essere saldamente collegato. Il cablaggio allentato può causare il surriscaldamento del terminale, con conseguente malfunzionamento del prodotto e possibili incendi.
10. Non lasciare che i fili si tocchino o si adagino contro i tubi refrigeranti, il compressore o le parti in movimento all'interno dell'unità.
11. Se l'unità dispone di un riscaldatore elettrico ausiliario, deve essere installata ad almeno 1 metro (40 pollici) di distanza da qualsiasi materiale combustibile.
12. Per evitare una scossa elettrica, non toccare mai i componenti elettrici subito dopo che l'alimentazione è stata spenta. Dopo aver spento l'alimentazione, attendere sempre 10 minuti o più prima di toccare i componenti elettrici.

AVVERTENZE

PRIMA DI ESEGUIRE QUALSIASI LAVORO ELETTRICO O CABLAGGIO, SPEGNERE L'ALIMENTAZIONE PRINCIPALE.

Fase 6: Collegare cavi di segnale e di alimentazione

Il cavo di segnale consente la comunicazione tra la unità interna e quella esterna. È necessario prima scegliere la giusta dimensione del cavo prima di prepararlo per il collegamento.

Tipi di cavi

- **Cavo di alimentazione interno** (se applicabile): H05VV-F o H05V2V2-F
- **Cavo di alimentazione esterno:** H07RN-F o H05RN-F
- **Cavo di segnale:** H07RN-F

NOTA: In Nord America, scegliere il tipo di cavo in base ai codici e normative elettriche locali.

Area minima della sezione trasversale dei cavi di alimentazione e di segnale (valori di riferimento)

(non applicabile per il Nord America)

Corrente nominale dell'apparecchio (A)	Area trasversale nominale (mm ²)
> 3 e ≤ 6	0,75
> 6 e ≤ 10	1
> 10 e ≤ 16	1,5
> 16 e ≤ 25	2,5
> 25 e ≤ 32	4
> 32 e ≤ 40	6

SCEGLIERE LA DIMENSIONE DEL CAVO GIUSTA

La dimensione del cavo di alimentazione, del cavo di segnale, del fusibile e dell'interruttore necessari è determinata dalla corrente massima dell'unità. La corrente massima è indicata sulla targhetta situata sul pannello laterale dell'unità. Fare riferimento a questa targhetta per scegliere il cavo, il fusibile o l'interruttore.

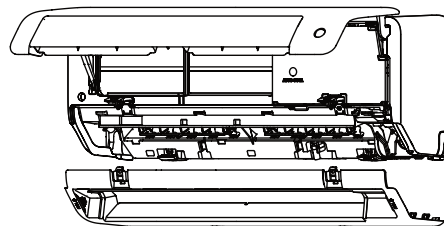
NOTA: In Nord America, si prega di scegliere la giusta dimensione del cavo in base alla capacità minima del circuito indicata sulla targhetta dell'unità.

1. Aprire e fissare la posizione del pannello, poi, aprire i coperchi dei due blocchi di bloccaggio, svitare la vite, poi tenere entrambi i lati del pannello inferiore nel punto contrassegnato "PULL (Tirare)", tirarlo verso l'alto per rilasciare le fibbie, poi prendere il pannello inferiore verso il basso (fare riferimento a pagina 22-23).
2. Aprire il coperchio della scatola di filo per collegare il cavo.
3. Svitare il morsetto del cavo sotto la morsettiera e posizionarlo di lato.
4. Di fronte al retro dell'unità, rimuovere il pannello di plastica sul lato in basso a sinistra.

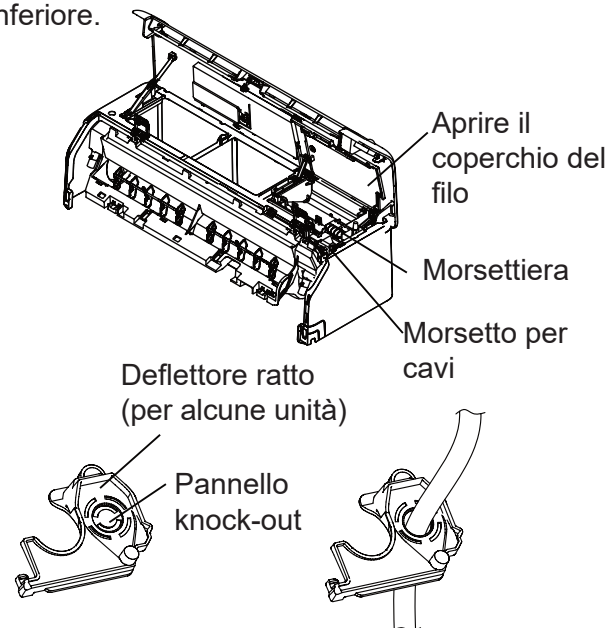
⚠ AVVERTENZE

TUTTI I LAVORI DI CABLAGGI DEVONO ESSERE ESEGUITI RIGOROSAMENTE IN CONFORMITÀ CON LO SCHEMA ELETTRICO SITUATO SUL RETRO DEL PANNELLO ANTERIORE DELL'UNITÀ INTERNA.

5. Alimentare il cavo del segnale attraverso questa apertura, dalla parte posteriore dell'unità verso la parte anteriore.
6. Di fronte alla parte anteriore dell'unità, collegare il cavo in base allo schema elettrico dell'unità interna, collegare l'aletta a U e avvitare saldamente ciascun cavo al terminale corrispondente.



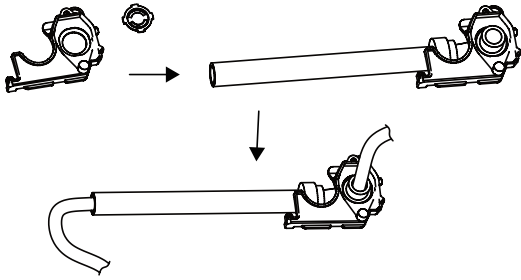
Per prima cosa aprire il pannello frontale, poi rimuovere il pannello inferiore.



NOTA: Se la dimensione del cavo è troppo grande, rimuovere il piccolo pannello knock-out di plastica centrale per creare una fessura attraverso la quale il cavo può uscire. Se si desidera rimuovere il telaio o il tubo di scarico, rimuovere prima il deflettore del rasoio.

In Nord America

Per prima cosa, rimuovere il pannello knock-out per creare una fessura attraverso la quale il tubo del condotto può essere installato. Poi effettuare il cavo attraverso il tubo del condotto e collegarlo all'unità interna.



⚠ ATTENZIONE

NON CONFONDERE FILI SOTTO TENSIONE E FILI NULLI

Questo è pericoloso e può causare il malfunzionamento dell'unità di condizionatore dell'aria.

7. Dopo aver verificato che ogni connessione sia sicura, utilizzare il morsetto del cavo per fissare il cavo di segnale all'unità. Avvitare saldamente il morsetto del cavo.
8. Sostituire il coperchio del filo sulla parte anteriore dell'unità e il pannello di plastica sul retro.

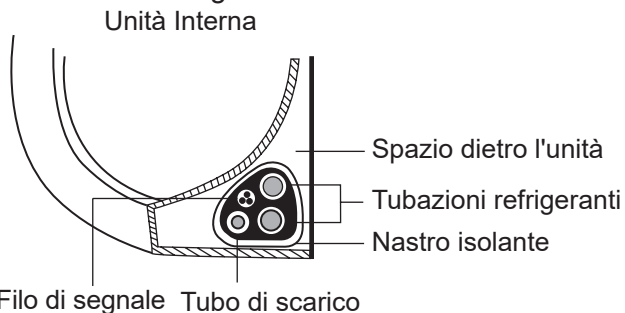
⚠ NOTA SUL CABLAGGIO

IL PROCESSO DI CONNESSIONE DEL CABLAGGIO PUÒ DIFFERIRE LEGGERMENTE TRA UNITÀ E REGIONI.

Fase 7: Avvolgimento cavi

Prima di passare le tubazioni, il tubo flessibile di scarico e il cavo di segnale attraverso il foro della parete, è necessario raggrupparli insieme per risparmiare spazio, per proteggerli e isolarli (questo potrebbe non essere applicabile per alcune località negli Stati Uniti).

1. Raggruppare il tubo flessibile di scarico, i tubi del refrigerante e il cavo di segnale come mostrato di seguito:



IL TUBO FLESSIBILE DI SCARICO DEVE ESSERE MESSO SUL FONDO

Assicurarsi che il tubo di scarico si trova nella parte inferiore del gruppo fili. Se il tubo flessibile di scarico viene posizionato nella parte superiore del gruppo fili, può causare il trabocco della vaschetta di scarico, causando così incendi o danni per via dell'acqua.

NON INTRECCIARE IL CAVO DI SEGNALE CON ALTRI FILI

Durante l'aggregazione di questi elementi, non intrecciare o accavallare il cavo del segnale con altri cablaggi.

2. Utilizzando nastro adesivo vinilico, collegare il tubo flessibile di scarico alla parte inferiore dei tubi del refrigerante.
3. Utilizzando il nastro isolante, avvolgere saldamente il filo del segnale, i tubi del refrigerante e il tubo flessibile di scarico. Ricontrollare che tutti gli articoli siano in gruppo fili.

NON AVVOLGERE LE ESTREMITÀ DELLE TUBAZIONI

Quando si avvolge il gruppo fili, lasciare le estremità delle tubazioni non avvolte. È necessario verificare la presenza di perdite alla fine del processo di installazione (fare riferimento alla sezione **Controlli Elettrici e Controlli delle Perdite** in questo manuale).

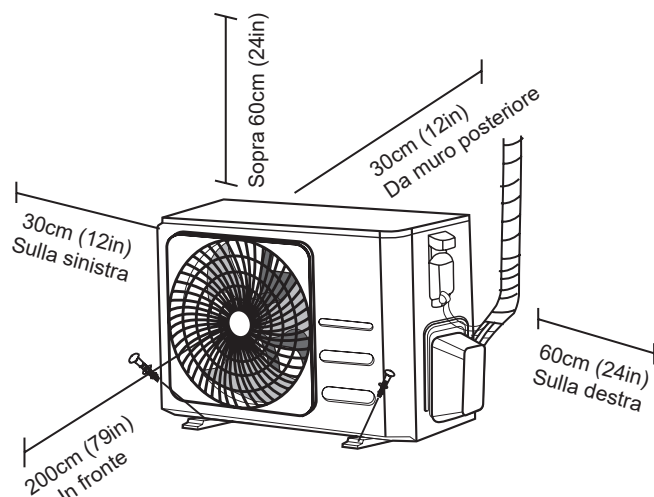
Fase 8: Montaggio dell'unità interna

Se sono stati installati nuove tubazioni connettive all'unità esterna, eseguire le operazioni seguenti:

1. Se hai già passato le tubazioni del refrigerante attraverso il foro nel muro, procedi al passaggio 4.
2. In caso contrario, ricontrollare che le estremità dei tubi del refrigerante siano sigillate per evitare che sporco o materiali estranei entrino nei tubi.
3. Passare lentamente il gruppo avvolto di tubi del refrigerante, del tubo flessibile di scarico e filo di segnale attraverso il foro nel muro.
4. Agganciare la parte superiore dell'unità interna sul gancio superiore della piastra di montaggio.
5. Verificare che l'unità sia agganciata saldamente per il montaggio applicando una leggera pressione sui lati sinistro e destro dell'unità. L'unità non deve oscillare o spostarsi.
6. Usando una pressione uniforme, spingere verso il basso la metà inferiore dell'unità. Continuare a spingere verso il basso fino a quando l'unità non si aggancia ai ganci lungo la parte inferiore della piastra di montaggio.
7. Ancora una volta, verificare che l'unità sia saldamente montata applicando una leggera pressione sui lati sinistro e destro dell'unità.

Installazione unità esterna

Installare l'unità seguendo i codici e le normative locali, potrebbero esserci differenze minori tra le diverse regioni.



Istruzioni per l'installazione – Unità esterna

Fase 1: Selezione del luogo di installazione

Prima di installare l'unità esterna, è necessario scegliere una posizione appropriata. Di seguito sono riportati gli standard che ti aiuteranno a scegliere una posizione appropriata per l'unità.

Le posizioni di installazione corrette soddisfano i seguenti standard:

- ☑ Una posizione che soddisfa tutti i requisiti spaziali mostrati in Requisiti di Spazio di Installazione sopra.
- ☑ Buona circolazione dell'aria e ventilazione
- ☑ Sicura e stabile: la posizione può supportare l'unità e non subisce vibrazioni
- ☑ Il rumore dell'unità non disturberà gli altri
- ☑ Una posizione che è protetta da periodi prolungati di luce solare diretta o pioggia
- ☑ Laddove siano previste nevicate, adottare misure appropriate per prevenire l'accumulo di ghiaccio e danni alle bobine.

NON installare l'unità nei seguenti luoghi:

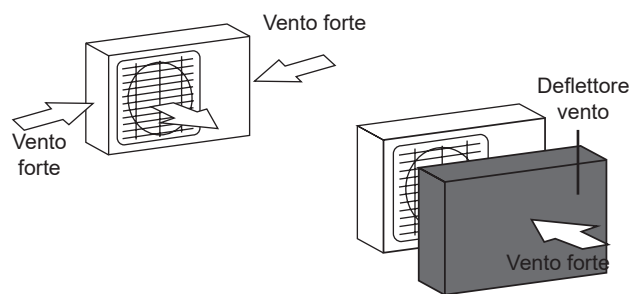
- ⊘ Vicino a un ostacolo che può ostruire gli ingressi e le uscite d'aria
- ⊘ Vicino a una strada pubblica, aree affollate o dove il rumore dell'unità può disturbare gli altri
- ⊘ Vicino ad animali o piante che possono subire i danni causati dall'aria calda scaricata
- ⊘ Vicino a qualsiasi fonte di gas combustibile
- ⊘ In un luogo esposto a grandi quantità di polvere
- ⊘ In un luogo esposto a una quantità eccessiva di aria salata

CONSIDERAZIONI SPECIALI PER CONDIZIONI METEOROLOGICHE ESTREME

Se l'unità è esposta a vento forte:

Installare l'unità in modo che la ventola di uscita dell'aria abbia un angolo di 90° rispetto alla direzione del vento. Se necessario, costruire una barriera davanti all'unità per proteggerla da venti estremamente forti.

Vedere le figure qui sotto.



Se l'unità è frequentemente esposta a forti piogge o neve:

Costruire un rifugio sopra l'unità per proteggerla dalla pioggia o dalla neve. Fare attenzione a non ostruire il flusso d'aria intorno all'unità.

Se l'unità è frequentemente esposta all'aria salata (al mare):

Utilizzare un'unità esterna appositamente progettata per resistere alla corrosione.

Fase 2: Installare il giunto di scarico (solo unità pompa di calore)

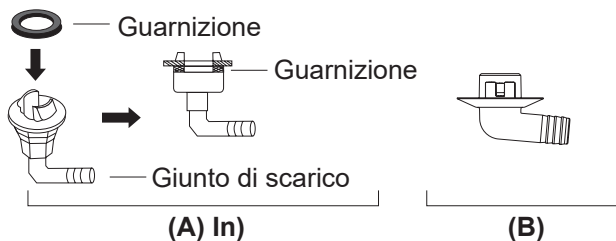
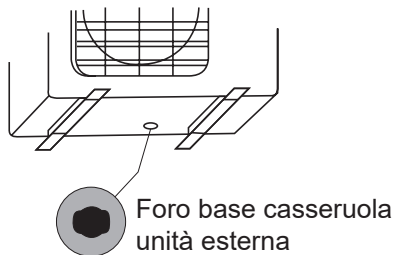
Prima di bullonare l'unità esterna in posizione, è necessario installare il giunto di scarico nella parte inferiore dell'unità. Si noti che ci sono due diversi tipi di giunti di scarico a seconda del tipo di unità esterna.

Se il giunto di scarico viene fornito con una guarnizione in gomma (vedi Fig. A), effettuare le seguenti operazioni:

1. Montare il sigillo di gomma all'estremità del giunto di scarico che si collegherà all'unità esterna.
2. Inserire il giunto di scarico nel foro nella casseruola di base dell'unità.
3. Ruotare il giunto di scarico di 90 gradi fino a quando non fa clic nel punto di fronte alla parte anteriore dell'unità.
4. Collegare un'estensione del tubo di scarico (non incluso) al giunto di scarico per reindirizzare l'acqua dall'unità durante la modalità di riscaldamento.

Se il giunto di scarico non viene fornito con una guarnizione in gomma (vedi Fig. B), effettuare le seguenti operazioni:

1. Inserire il giunto di scarico nel foro nella casseruola di base dell'unità. Il giunto di scarico farà clic al punto.
2. Collegare un'estensione del tubo di scarico (non incluso) al giunto di scarico per reindirizzare l'acqua dall'unità durante la modalità di riscaldamento.



! IN CLIMI FREDDI

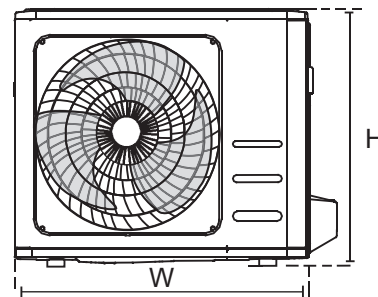
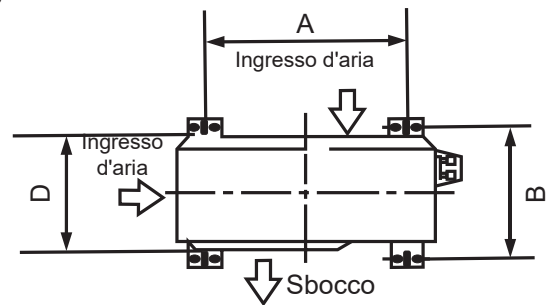
Nei climi freddi, assicurarsi che il tubo di scarico sia il più verticale possibile per garantire un rapido drenaggio dell'acqua. Se l'acqua scarica troppo lentamente, può congelarsi nel tubo flessibile e allagare l'unità.

Fase 3: Ancoraggio unità esterna

L'unità esterna può essere ancorata al suolo o a una staffa montata a parete con bullone (M10). Preparare la base di installazione dell'unità in base alle dimensioni riportate di seguito.

DIMENSIONI DI MONTAGGIO UNITÀ

Di seguito è riportato un elenco di diverse dimensioni di unità esterne e la distanza tra i piedi di montaggio. Preparare la base di installazione dell'unità in base alle dimensioni riportate di seguito.



Dimensioni unità esterna (mm) L x A x P	Dimensioni di montaggio	
	Distanza A (mm)	Distanza B (mm)
681x434x285 (26,8" x 17,1" x 11,2")	460 (18,1")	292 (11,5")
700x550x270 (27,5" x 21,6" x 10,6")	450 (17,7")	260 (10,2")
700x550x275 (27,5" x 21,6" x 10,8")	450 (17,7")	260 (10,2")
720x495x270 (28,3" x 19,5" x 10,6")	452 (17,8")	255 (10,0")
728x555x300 (28,7" x 21,8" x 11,8")	452 (17,8")	302 (11,9")
765x555x303 (30,1" x 21,8" x 11,9")	452 (17,8")	286 (11,3")
770x555x300 (30,3" x 21,8" x 11,8")	487 (19,2")	298 (11,7")
805x554x330 (31,7" x 21,8" x 12,9")	511 (20,1")	317 (12,5")
800x554x333 (31,5" x 21,8" x 13,1")	514 (20,2")	340 (13,4")
845x702x363 (33,3" x 27,6" x 14,3")	540 (21,3")	350 (13,8")
890x673x342 (35,0" x 26,5" x 13,5")	663 (26,1")	354 (13,9")
946x810x420 (37,2" x 31,9" x 16,5")	673 (26,5")	403 (15,9")
946x810x410 (37,2" x 31,9" x 16,1")	673 (26,5")	403 (15,9")

Se si installa l'unità a terra o su una piattaforma di montaggio in calcestruzzo, eseguire le operazioni seguenti:

1. Contrassegnare le posizioni per quattro bulloni di espansione in base al grafico delle dimensioni.
2. Perforare in anticipo i fori per bulloni di espansione.
3. Posizionare un dado all'estremità di ciascun bullone di espansione.
4. Bulloni di espansione del martello nei fori perforati in anticipo.
5. Rimuovere i dadi dai bulloni di espansione e posizionare l'unità esterna sui bulloni.
6. Mettere la rondella su ciascun bullone di espansione, poi sostituire i dadi.
7. Usando una chiave inglese, stringere ogni dado fino al fondo.



AVVERTENZE

QUANDO SI PERFORA NEL CALCESTRUZZO, SI RACCOMANDA SEMPRE LA PROTEZIONE DEGLI OCCHI.

Se si installa l'unità su una staffa a parete, eseguire le operazioni seguenti:



ATTENZIONE

Assicurarsi che il muro sia fatto di mattoni solidi, cemento o materiale altrettanto resistente. **La parete deve essere in grado di sostenere almeno quattro volte il peso dell'unità.**

1. Contrassegnare la posizione dei fori delle staffe in base al grafico delle dimensioni.
2. Praticare in anticipo i fori per i bulloni di espansione.
3. Posizionare una rondella e un dado all'estremità di ciascun bullone di espansione.
4. Infilare i bulloni di espansione attraverso fori nelle staffe di montaggio, mettere le staffe di montaggio in posizione e martellare i bulloni di espansione nella parete.
5. Verificare che le staffe di montaggio siano livellate.
6. Sollevare con cura l'unità e posizionare i piedini di montaggio sulle staffe.
7. Imbullonare saldamente l'unità alle staffe.
8. Se consentito, installare l'unità con guarnizioni in gomma per ridurre vibrazioni e rumore.

Fase 4: Collegare cavi di segnale e di alimentazione

La morsettiera dell'unità esterna è protetta da un coperchio di cablaggio elettrico sul lato dell'unità. Uno schema elettrico completo è stato stampato all'interno del coperchio del cablaggio.



AVVERTENZE

PRIMA DI ESEGUIRE QUALSIASI LAVORO ELETTRICO O CABLAGGIO, SPEGNERE L'ALIMENTAZIONE PRINCIPALE.

1. Preparare il cavo per il collegamento:

USARE IL CAVO GIUSTO

Si prega di scegliere il cavo giusto. Fare riferimento a "Tipi di cavo" a pagina 25.

SCEGLIERE LA DIMENSIONE DEL CAVO GIUSTA

La dimensione del cavo di alimentazione, del cavo di segnale, del fusibile e dell'interruttore necessari è determinata dalla corrente massima dell'unità. La corrente massima è indicata sulla targhetta situata sul pannello laterale dell'unità.

NOTA: In Nord America, si prega di scegliere la giusta dimensione del cavo in base alla capacità minima del circuito indicata sulla targhetta dell'unità.

- Utilizzando la pinza spelafili, rimuovere il rivestimento di gomma da entrambe le estremità del cavo per esporre circa 40 mm (1,57 pollici) dei fili all'interno.
- Pelare l'isolante dalle estremità.
- Usando la pinza spelafili, ripiegare le alette a U alle estremità dei fili.

PRESTA ATTENZIONE AL FILO SOTTO TENSIONE

Durante la ripiegamento dei fili, assicurarsi di distinguere chiaramente il filo sotto tensione ("L") dagli altri fili.

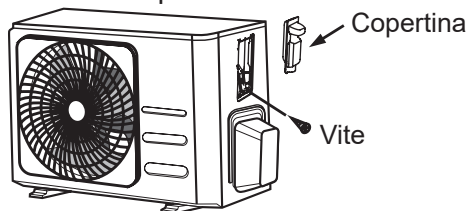


AVVERTENZE

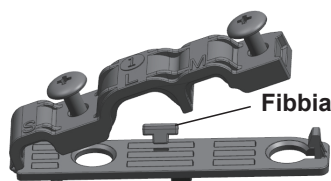
TUTTI I LAVORI DI CABLAGGIO DEVONO ESSERE ESEGUITI RIGOROSAMENTE IN CONFORMITÀ CON LO SCHEMA ELETTRICO SITUATO ALL'INTERNO DEL COPERCHIO DEL FILO DELL'UNITÀ ESTERNA.

- Svitare il coperchio del cablaggio elettrico e rimuoverlo.
- Svitare il morsetto del cavo sotto la morsettiera e posizionarlo di lato.
- Collegare il filo secondo lo schema elettrico e avvitare saldamente la aletta a U di ciascun filo al terminale corrispondente.
- Dopo aver controllato per assicurarsi che ogni connessione sia sicura, avvolgere i fili per evitare che l'acqua piovana entri nel terminale.
- Utilizzando il morsetto per cavi, fissare il cavo all'unità. Avvitare saldamente il morsetto del cavo.

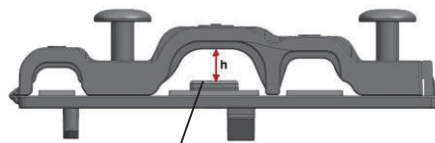
- Isolare i fili inutilizzati con nastro elettrico in PVC. Disporli in modo che non tocchino parti elettriche o metalliche.
- Sostituire il coperchio del filo sul lato dell'unità e avvitare in posizione.



NOTA: Se il morsetto del cavo è simile al seguente, selezionare il foro passante appropriato in base al diametro del filo.



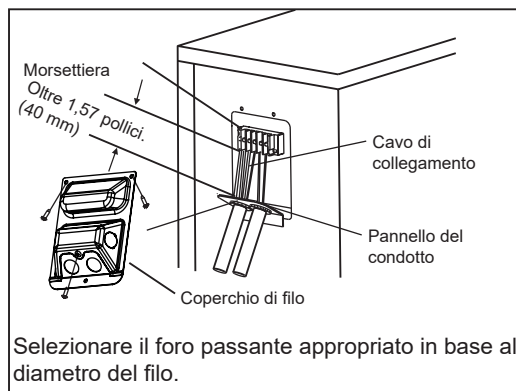
Tre dimensioni di foro: Piccolo, Grande, Medio



Quando il cablaggio non è abbastanza fissato, utilizzare la fibbia per sostenerlo, in modo che possa essere bloccato saldamente.

In Nord America

- Rimuovere il coperchio del filo dall'unità allentando le 3 viti.
- Smontare i tappi sul pannello del condotto.
- Montare temporaneamente i tubi del condotto (non inclusi) sul pannello del condotto.
- Collegare correttamente sia l'alimentazione che le linee a bassa tensione ai terminali corrispondenti sulla morsettiera.
- Mettere a terra l'unità in conformità con i codici locali.
- Assicurarsi di dimensionare ogni filo consentendo diversi pollici in più rispetto alla lunghezza richiesta per il cablaggio.
- Utilizzare i dadi di bloccaggio per fissare i tubi del condotto.



Collegamento delle tubazioni del refrigerante

Quando si collegano tubazioni del refrigerante, **non** lasciare che sostanze o gas diversi dal refrigerante specificato entrino nell'unità. La presenza di altri gas o sostanze ridurrà la capacità dell'unità e può causare una pressione anormalmente elevata nel ciclo di refrigerazione. Ciò può causare esplosioni e lesioni.

Nota sulla lunghezza del tubo

La lunghezza delle tubazioni del refrigerante influenzerà le prestazioni e l'efficienza energetica dell'unità. L'efficienza nominale viene testata su unità con una lunghezza del tubo di 5 metri (16,5 piedi) (in Nord America, la lunghezza standard del tubo è di 7,5 m (25')). È necessario un tubo con la lunghezza di almeno 3 metri per ridurre al minimo le vibrazioni e il rumore eccessivo. In una speciale area tropicale, per i modelli di refrigerante R290, non è possibile aggiungere refrigerante e la lunghezza massima del tubo del refrigerante non deve superare i 10 metri (32,8 piedi).

Fare riferimento alla tabella seguente per le specifiche sulla lunghezza massima e l'altezza di caduta delle tubazioni.

Lunghezza Massima e Altezza di Caduta delle Tubazioni del Refrigerante per Modello Unità

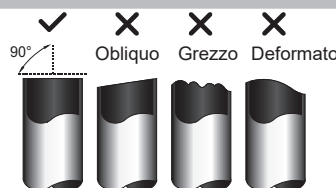
Modello	Capacità (BTU/h)	Lunghezza max. (m)	Altezza di caduta max. (m)
R410A, R32 Condizionatore d'Aria a Split Inverter	< 15.000	25 (82 piedi)	10 (33 piedi)
	≥ 15.000 e < 24.000	30 (98,5 piedi)	20 (66 piedi)
	≥ 24.000 e < 36.000	50 (164 piedi)	25 (82 piedi)
R22 Condizionatore d'aria split a velocità fissa	< 18.000	10 (33 piedi)	5 (16 piedi)
	≥ 18.000 e < 21.000	15 (49 piedi)	8 (26 piedi)
	≥ 21.000 e < 35.000	20 (66 piedi)	10 (33 piedi)
R410A, R32 Condizionatore d'aria split a velocità fissa	< 18.000	20 (66 piedi)	8 (26 piedi)
	≥ 18.000 e < 36.000	25 (82 piedi)	10 (33 piedi)

Istruzioni di collegamento – Tubazioni refrigeranti

Fase 1: Taglio tubi

Quando si preparano i tubi del refrigerante, prestare particolare attenzione a tagliarli e svasarli correttamente. Ciò garantirà un funzionamento efficiente e ridurrà al minimo la necessità di manutenzione futura.

1. Misurare la distanza tra le unità interne ed esterne.
2. Usando un tagliatubi, tagliare il tubo un po' più lungo rispetto alla lunghezza misurata.
3. Assicurarsi che il tubo sia tagliato con un angolo perfetto di 90°.



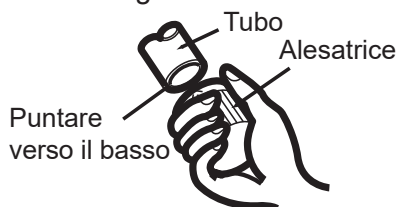
NON DEFORMARE IL TUBO DURANTE IL TAGLIO

Prestare particolare attenzione a non danneggiare, ammaccare o deformare il tubo durante il taglio. Ciò ridurrà drasticamente l'efficienza di riscaldamento dell'unità.

Fase 2: Rimozione bave

Le bave possono influire sulla tenuta ermetica della connessione delle tubazioni del refrigerante. Devono essere completamente rimossi.

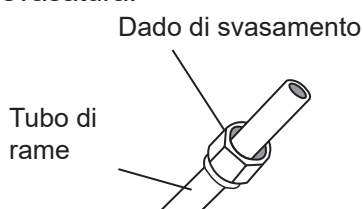
1. Tenere il tubo con un angolo verso il basso per evitare che le bave cadano nel tubo.
2. Utilizzando un alesatore o uno strumento di sbavatura, rimuovere tutte le bave dalla sezione tagliata del tubo.



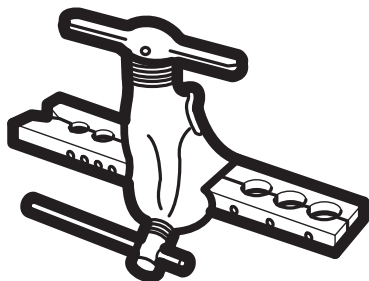
Passaggio 3: Estremità del tubo svasato

La corretta svasatura è essenziale per ottenere una tenuta ermetica.

1. Dopo aver rimosso le bave dal tubo tagliato, sigillare le estremità con nastro in PVC per evitare che materiali estranei entrino nel tubo.
2. Coprire il tubo con materiale isolante.
3. Posizionare i dadi svasati su entrambe le estremità del tubo. Assicurarsi che siano rivolti nella giusta direzione, perché non puoi indossarli o cambiare direzione dopo la svasatura.

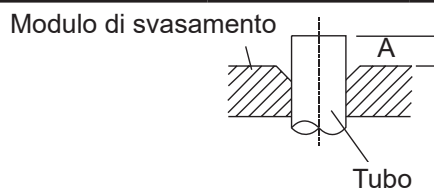


4. Rimuovere il nastro in PVC dalle estremità del tubo quando sei pronto per eseguire lavori di svasatura.
5. Stringere forma svasa all'estremità del tubo. L'estremità del tubo deve estendersi oltre il bordo della forma svasa in conformità con le dimensioni mostrate nella tabella seguente.



ESTENSIONE DELLE TUBAZIONI OLTRE LA FORMA SVASA

Diametro esterno del tubo (mm)	A (mm)	
	Minimo	Massimo
ø6,35 (ø0,25")	0,7 (0.0275")	1,3 (0.05")
ø9,52 (ø0,375")	1.0 (0.04")	1,6 (0.063")
ø12,7 (ø0,5")	1,0 (0.04")	1,8 (0.07")
ø16 (ø0.63")	2.0 (0.078")	2.2 (0.086")
ø19 (ø0.75")	2.0 (0.078")	2.4 (0.094")



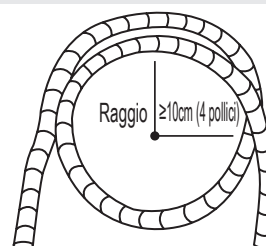
6. Posizionare lo strumento di svasatura sul modulo.
7. Ruotare la maniglia dello strumento di svasatura in senso orario fino a quando il tubo non è completamente svasato.
8. Rimuovere lo strumento di svasatura e la forma svasa, poi ispezionare l'estremità del tubo per le crepe e persino la svasatura.

Fase 4: Collegare i tubi

Quando si collegano tubi del refrigerante, fare attenzione a non utilizzare una coppia eccessiva ed evitare di deformare le tubazioni in alcun modo. È necessario prima collegare il tubo a bassa pressione, poi il tubo ad alta pressione.

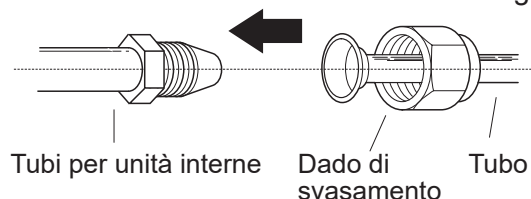
RAGGIO MINIMO DI PIEGATURA

Quando si piegano tubazioni del refrigerante connettivo, il raggio di piega minimo è di 10 cm.

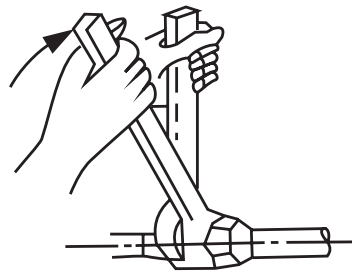


Istruzioni per il collegamento delle tubazioni all'unità interna

1. Allineare il centro dei due tubi da collegare.



- Stringere il dado svasato il più strettamente possibile a mano.
- Usando una chiave inglese, afferrare il dado sul tubo dell'unità.
- Mentre si afferra saldamente il dado sul tubo dell'unità, utilizzare una chiave dinamometrica per serrare il dado svasato in base ai valori di coppia nella tabella Requisiti di coppia riportata di seguito. Allentare leggermente il dado svasato, poi stringere di nuovo.



REQUISITI DI COPPIA

Diametro esterno del tubo (mm)	Coppia di serraggio (N m)	Dimensione svasatura (B) (mm)	Forma svasa
ø6,35 (ø0,25")	18 ~ 20 (180 ~ 200kgf.cm)	8,4 ~ 8,7 (0,33 ~ 0,34 ")	
ø9,52 (ø0,375")	32 ~ 39 (320 ~ 390kgf.cm)	13,2 ~ 13,5 (0,52 ~ 0,53 ")	
ø12,7 (ø0,5")	49 ~ 59 (490 ~ 590kgf.cm)	16,2 ~ 16,5 (0,64 ~ 0,65 ")	
ø16 (ø0,63")	57 ~ 71 (570 ~ 710kgf.cm)	19,2 ~ 19,7 (0,76 ~ 0,78 ")	
ø19 (ø0,75")	67 ~ 101 (670 ~ 1010kgf.cm)	23,2 ~ 23,7 (0,91 ~ 0,93 ")	

⚠ NON UTILIZZARE COPPIA ECCESSIVA

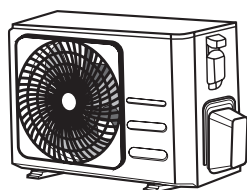
Una forza eccessiva può rompere il dado o danneggiare le tubazioni del refrigerante. Non si devono superare i requisiti di coppia indicati nella tabella precedente.

Istruzioni per il collegamento delle tubazioni all'unità esterna

- Svitare il coperchio dalla valvola imballata sul lato dell'unità esterna.
- Rimuovere i cappucci protettivi dalle estremità delle valvole.
- Allineare l'estremità del tubo svasata con ciascuna valvola e stringere il dado svasato il più strettamente possibile a mano.
- Usando una chiave inglese, afferrare il corpo della valvola. Non afferrare il dado che sigilla la valvola di servizio.
- Mentre si afferra saldamente il corpo della valvola, utilizzare una chiave dinamometrica per stringere il dado svasato in base ai valori di coppia corretti.
- Allentare leggermente il dado svasato, quindi stringere di nuovo.
- Ripetere i passaggi da 3 a 6 per la tubazione rimanente.

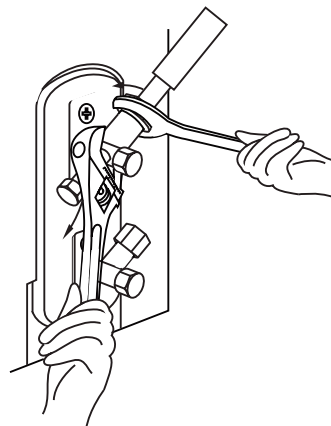
⚠ UTILIZZARE LA CHIAVE PER AFFERRARE IL CORPO PRINCIPALE DELLA VALVOLA

La coppia derivante dal serraggio del dado svasato può staccarsi da altre parti della valvola.



Coperchio valvola

- Mentre si afferra saldamente il corpo della valvola, utilizzare una chiave dinamometrica per stringere il dado svasato in base ai valori di coppia corretti.



Evacuazione dell'aria

Preparativi e precauzioni

L'aria e i corpi estranei nel circuito del refrigerante possono causare aumenti anomali della pressione, che possono danneggiare il condizionatore d'aria, ridurne l'efficienza e causare lesioni. Utilizzare una pompa a vuoto e un manometro del collettore per evacuare il circuito del refrigerante, rimuovendo qualsiasi gas e umidità non condensabile dal sistema.

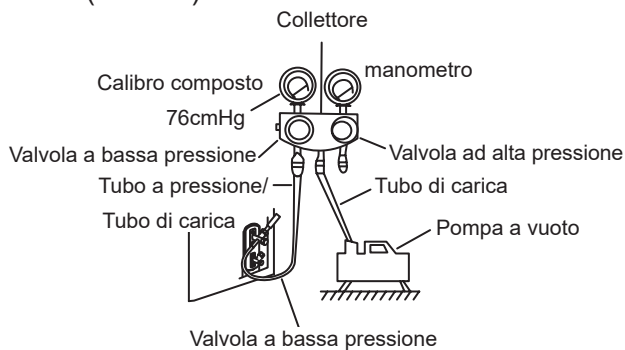
L'evacuazione deve essere eseguita al momento dell'installazione iniziale e quando l'unità viene trasferita.

PRIMA DI ESEGUIRE L'EVACUAZIONE

- ✓ Verificare che i tubi di collegamento tra la unità interna ed esterna siano collegati correttamente.
- ✓ Verificare che tutti i cablaggi siano collegati correttamente.

Istruzioni per l'evacuazione

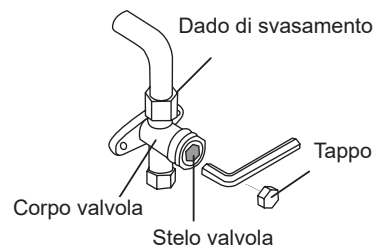
1. Collegare il tubo flessibile di carica del manometro del collettore alla porta di servizio sulla valvola a bassa pressione dell'unità esterna.
2. Collegare un altro tubo flessibile di carica dal manometro del collettore alla pompa a vuoto.
3. Aprire il lato Bassa Pressione del manometro del collettore. Tenere chiuso il lato Alta Pressione.
4. Accendere la pompa a vuoto per evacuare il sistema.
5. Eseguire il vuoto per almeno 15 minuti o fino a quando il misuratore composto legge -76 cmHG (-10⁵ Pa).



6. Chiudere il lato a bassa pressione del manometro del collettore e spegnere la pompa a vuoto.
7. Attendere 5 minuti, poi verificare che non vi siano stati cambiamenti nella pressione del

sistema.

8. Se si verifica un cambiamento nella pressione del sistema, fare riferimento alla sezione Controllo delle perdite di gas per informazioni su come verificare le perdite. Se non vi è alcun cambiamento nella pressione del sistema, svitare il tappo dalla valvola imballata (valvola ad alta pressione).
9. Inserire la chiave esagonale nella valvola imballata (valvola ad alta pressione) e aprire la valvola ruotando la chiave in senso antiorario 1/4. Ascoltare il gas per uscire dal sistema, poi chiudere la valvola dopo 5 secondi.
10. Osservare il manometro di pressione per un minuto per assicurarsi che non ci siano cambiamenti di pressione. Il manometro dovrebbe leggere un valore leggermente più alto della pressione atmosferica.
11. Rimuovere il tubo flessibile di carica dalla porta di servizio.



12. Utilizzando la chiave esagonale, aprire completamente sia le valvole ad alta pressione che a bassa pressione.
13. Serrare i tappi delle valvole su tutte e tre le valvole (porta di servizio, alta pressione, bassa pressione) a mano. È possibile stringerlo ulteriormente utilizzando una chiave dinamometrica, se necessario.

! APRIRE DELICATAMENTE GLI STELI DELLA VALVOLA

Quando si aprono gli steli della valvola, ruotare la chiave esagonale fino a quando non colpisce contro il tappo. Non forzare l'apertura della valvola.

Nota sull'aggiunta di refrigerante

Alcuni sistemi richiedono una ricarica aggiuntiva a seconda delle lunghezze dei tubi. La lunghezza standard del tubo varia in base alle normative locali. Ad esempio, in Nord America, la lunghezza standard del tubo è di 7,5 m (25 ').

In altre aree, la lunghezza standard del tubo è di 5 m (16 '). Il refrigerante deve essere caricato dalla porta di servizio sulla valvola a bassa pressione dell'unità esterna. Il refrigerante aggiuntivo da caricare può essere calcolato utilizzando la seguente formula:

REFRIGERANTE AGGIUNTIVO PER LUNGHEZZA DEL TUBO

Lunghezza tubo connettivo (m)	Metodo di spurgo dell'aria	Refrigerante aggiuntivo	
≤ Lunghezza standard del tubo	Pompa a vuoto	N/D	
> Lunghezza standard del tubo	Pompa a vuoto	Lato liquido: Ø 6,35 (ø 0,25") R32: (Lunghezza tubo – lunghezza standard) x 12g/m (Lunghezza del tubo - lunghezza standard) x 0.13oz / ft R290: (Lunghezza tubo – lunghezza standard) x 10g/m (Lunghezza del tubo - lunghezza standard) x 0.10oz / ft R410A: (Lunghezza tubo – lunghezza standard) x 15g/m (Lunghezza del tubo - lunghezza standard) x 0.16oz / ft R22: (Lunghezza tubo – lunghezza standard) x 20g/m (Lunghezza del tubo - lunghezza standard) x 0.21oz / ft	Lato liquido: Ø 9,52 (ø 0,375") R32: (Lunghezza tubo – lunghezza standard) x 24g/m (Lunghezza del tubo - lunghezza standard) x 0.26oz / ft R290: (Lunghezza tubo – lunghezza standard) x 18g/m (Lunghezza del tubo - lunghezza standard) x 0.19oz / ft R410A: (Lunghezza tubo – lunghezza standard) x 30g/m (Lunghezza del tubo - lunghezza standard) x 0.32oz / ft R22: (Lunghezza tubo – lunghezza standard) x 40g/m (Lunghezza del tubo - lunghezza standard) x 0.42oz / ft

Per l'unità refrigerante R290, la quantità totale di refrigerante da caricare non è superiore a: 387g(≤9000Btu/h), 447g(>9000Btu/h e ≤12000Btu/h), 547g(>12000Btu/h e ≤18000Btu/h), 632g(>18000Btu/h e ≤24000Btu/h).

 **ATTENZIONE** NON mescolare i tipi di refrigerante.

Controlli delle Perdite Elettriche e di Gas

Prima dell'esecuzione del test

Eseguire i test solo dopo aver completato i passaggi seguenti:

- **Controlli di Sicurezza Elettrica** – Verificare che l'impianto elettrico dell'unità sia sicuro e funzioni correttamente
- **Controlli delle Perdite di Gas** - Controllare tutte le connessioni dei dadi svasati e verificare che il sistema non perda
- Verificare che le valvole per gas e liquidi (alta e bassa pressione) siano completamente aperte

Controlli di Sicurezza Elettrica

Dopo l'installazione, verificare che tutti i cablaggi elettrici siano installati in conformità con le normative locali e nazionali e secondo il Manuale di Installazione.

PRIMA DELL'ESECUZIONE DEL TEST

Controllo del lavoro di messa a terra

Misurare la resistenza di messa a terra mediante rilevamento visivo e con misuratore di resistenza alla messa a terra. La resistenza di messa a terra deve essere inferiore a 0,1Ω.

Nota: Questo potrebbe non essere richiesto per alcune località negli Stati Uniti.

DURANTE L'ESECUZIONE DEL TEST

Controllo di Perdite Elettriche

Durante il test, utilizzare un'elettrosonde e un multimetro per eseguire un test completo di tenuta elettrica.

Se viene rilevata una perdita elettrica, spegnere immediatamente l'unità e chiamare un elettricista autorizzato per trovare e risolvere la causa della perdita.

Nota: Questo potrebbe non essere richiesto per alcune località negli Stati Uniti.

⚠ ATTENZIONE – RISCHIO DI SCOSSE ELETTRICHE

TUTTI I CABLAGGI DEVONO ESSERE CONFORMI AI CODICI ELETTRICI LOCALI E NAZIONALI E DEVONO ESSERE INSTALLATI DA UN ELETTRICISTA AUTORIZZATO.

Controlli delle Perdite di Gas

Esistono due diversi metodi per verificare le perdite di gas.

Metodo Acqua e Sapone

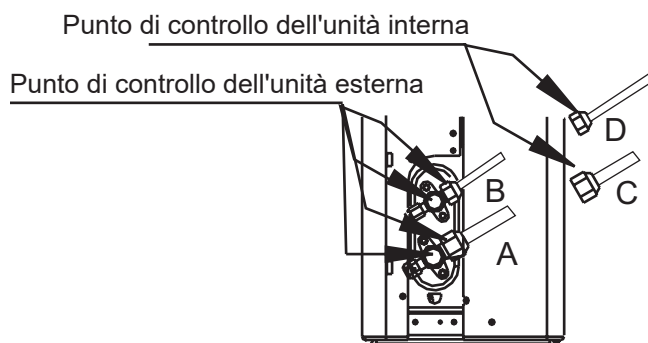
Utilizzando una spazzola morbida, applicare acqua saponata o detergente liquido su tutti i punti di collegamento del tubo sull'unità interna e sull'unità esterna. La presenza di bolle indica una perdita.

Metodo del rilevatore di perdite

Se si utilizza il rilevatore di perdite, fare riferimento al manuale d'uso del dispositivo per le istruzioni per l'uso corretto.

DOPO AVER ESEGUITO CONTROLLI DELLE PERDITE DI GAS

Dopo aver confermato che tutti i punti di collegamento del tubo NON perdono, sostituire il coperchio della valvola sull'unità esterna.



- A: Valvola di arresto a bassa pressione
- B: Valvola di arresto ad alta pressione
- C & D: Dadi svasati per unità interna

Esecuzione del test

Istruzioni per l'esecuzione del test

È necessario eseguire il test per almeno 30 minuti.

1. Collegare l'alimentazione all'unità.
2. Premere il pulsante **ON/OFF** sul telecomando per accenderlo.
3. Premere il pulsante **MODE (Modalità)** per scorrere le seguenti funzioni, una alla volta:
 - COOL (Raffreddamento) – Selezionare la temperatura più bassa possibile
 - CALORE (Riscaldamento) – Selezionare la temperatura più alta possibile
4. Lasciare che ogni funzione rimane attivata per 5 minuti ed eseguire i seguenti controlli:

Elenco dei controlli da eseguire	IDONEO/NON IDONEO	
Nessuna perdita elettrica		
L'unità è correttamente messa a terra		
Tutti i terminali elettrici sono adeguatamente coperti		
La unità interna ed esterna sono solidamente installate		
Tutti i punti di connessione del tubo non perdono	All'aperto (2):	All'interno (2):
L'acqua drena correttamente dal tubo flessibile di scarico		
Tutte le tubazioni sono adeguatamente isolate		
L'unità svolge correttamente la funzione COOL (Raffreddamento)		
L'unità svolge correttamente la funzione HEAT (Riscaldamento)		
Le alette dell'unità interna ruotano correttamente		
L'unità interna risponde al telecomando		

DOPPIO CONTROLLO DELLE CONNESSIONI DEI TUBI

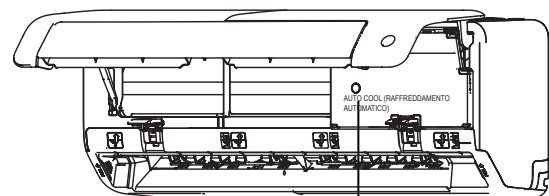
Durante il funzionamento, la pressione del circuito del refrigerante aumenterà. Ciò potrebbe rivelare perdite che non erano presenti durante il controllo iniziale delle perdite. Prenditi del tempo durante l'esecuzione del test per ricontrollare che tutti i punti di connessione del tubo del refrigerante non rivelano perdite. Fare riferimento alla sezione **Controllo di Perdite di Gas** per istruzioni.

5. Una volta completata correttamente l'esecuzione dei test e confermato che tutti i punti di controllo nell'elenco dei controlli da eseguire sono IDONEI, eseguire le operazioni seguenti:
 - A. Utilizzando il telecomando, impostare l'unità alla normale temperatura di esercizio.
 - B. Utilizzando del nastro isolante, avvolgere le connessioni dei tubi del refrigerante interni, che sono state lasciate scoperte durante il processo di installazione dell'unità interna.

SE LA TEMPERATURA AMBIENTE È INFERIORE A 17 °C (62 °F)

Non è possibile utilizzare il telecomando per attivare la funzione COOL (Raffreddamento) quando la temperatura ambiente è inferiore a 16°C. In questo caso, è possibile utilizzare il pulsante **MANUAL CONTROL (Controllo Manuale)** per testare la funzione COOL (Raffreddamento).

1. Il pulsante **MANUAL CONTROL (Controllo Manuale)** si trova sul pannello laterale destro dell'unità.
2. Premere il pulsante 2 volte per selezionare la funzione COOL (Raffreddamento).
3. Eseguire i test normalmente.



Pulsante di controllo manuale

Imballaggio e disimballaggio dell'unità

Istruzioni per l'imballaggio e il disimballaggio dell'unità:

Disimballaggio:

Unità interna:

1. Tagliare il nastro sigillante sul cartone con un coltello, uno tagliato a sinistra, uno tagliato al centro e uno tagliato a destra.
2. Usare la morsa per togliere i chiodi sigillanti sulla parte superiore del cartone.
3. Aprire la scatola.
4. Togliere la piastra di supporto centrale se è inclusa.
5. Estrarre la confezione dell'accessorio e il cavo di collegamento, se è incluso.
6. Sollevare la macchina dal cartone e metterla in piano.
7. Rimuovere la schiuma di imballaggio sinistra e destra o la schiuma di imballaggio superiore e inferiore, slegare il sacchetto di imballaggio.

Unità esterna

1. Tagliare il nastro di imballaggio.
2. Togliere l'unità dalla scatola.
3. Rimuovere la schiuma dall'unità.
4. Rimuovere il sacchetto di imballaggio dall'unità.

Imballaggio:

Unità interna:

1. Posizionare l'unità interna nel sacchetto da imballaggio.
2. Attaccare la schiuma della confezione sinistra e destra o la schiuma di imballaggio superiore e inferiore all'unità.
3. Inserire l'unità nella scatola, poi inserire la confezione degli accessori.
4. Chiudere il cartone e sigillarlo con il nastro.
5. Usare il nastro di imballaggio se necessario.

Unità esterna:

1. Posizionare l'unità esterna nel sacchetto da imballaggio.
2. Posizionare la schiuma inferiore nella scatola.
3. Inserire l'unità nel cartone, poi inserire la schiuma di imballaggio superiore sull'unità.
4. Chiudere il cartone e sigillarlo con il nastro.
5. Usare il nastro di imballaggio se necessario.

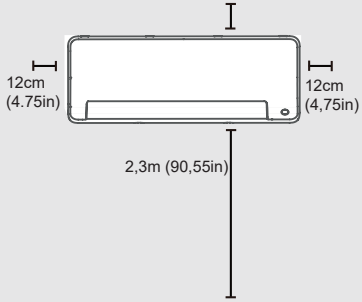
NOTA Si prega di conservare tutti gli articoli di imballaggio per eventuale uso futuro.

Installationsanleitung

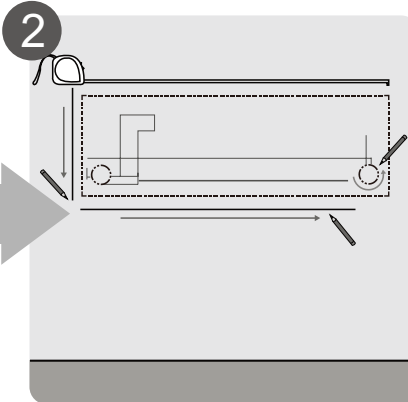
Zubehör	17
Installationszusammenfassung - Innengerät.....	18
Geräteteile	19
Installation der Inneneinheit.....	20
1. Installationsort auswählen	20
2. Montageplatte an der Wand befestigen.....	20
3. Ein Loch für das Verbindungsrohr bohren.....	21
4. Vorbereitung der Kältemittelleitung.....	22
5. Verbindung des Ablaufschlauches.....	24
6. Signal- und Stromkabelverbinden	25
7. Rohrleitungen und Kabel umwickeln	26
8. Inneneinheit installieren.....	27
Installation der Außeneinheit	27
1. Installationsort auswählen	27
2. Ablaufgelenk installieren.....	28
3. Außeneinheit verankern.....	28
4. Signal- und Stromkabelverbinden	30
Kältemittelleitungsanschluss.....	31
A. Hinweis zur Rohrlänge	31
B. Anschlussanweisungen - Kältemittelleitungen	31
1. Rohre schneiden.....	31
2. Grate entfernen.....	32
3. Rohrenden bördeln	32
4. Rohre anschließen.....	32
Luftablass.....	34
1. Entlüftungsanweisungen	34
2. Hinweis zum Hinzufügen von Kühlmittel	35
Überprüfung auf Elektro- und Gas-Lecks	36
Testlauf.....	37
Einpacken und Auspacken des Geräts	38

Installationszusammenfassung - Innengerät

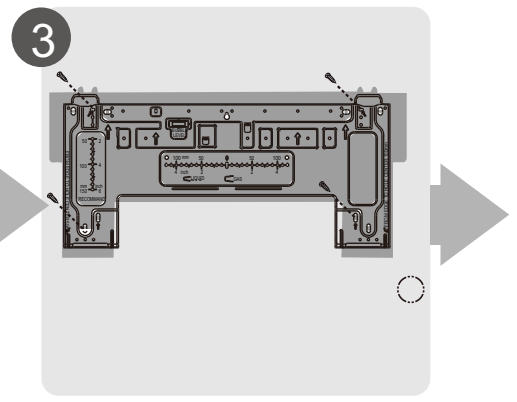
1 Der Abstand von der Decke wird durch die Installationsmethode bestimmt.



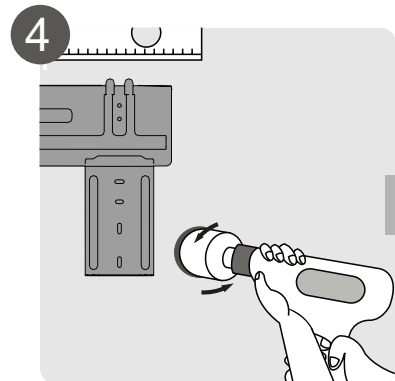
Installationsort auswählen



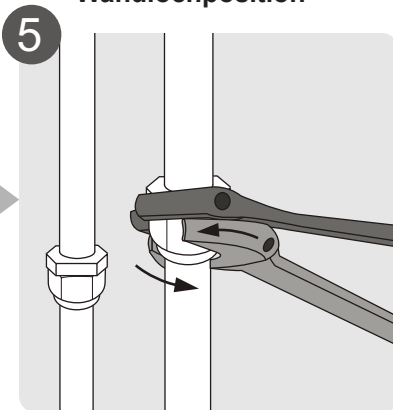
Bestimmen Sie die Wandlochposition



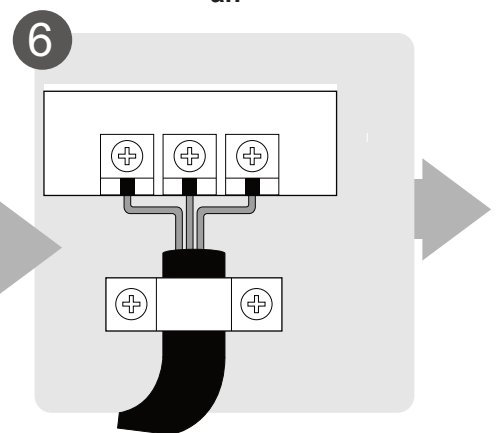
Bringen Sie die Montageplatte an



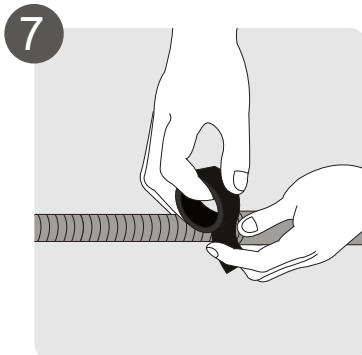
Wandloch bohren



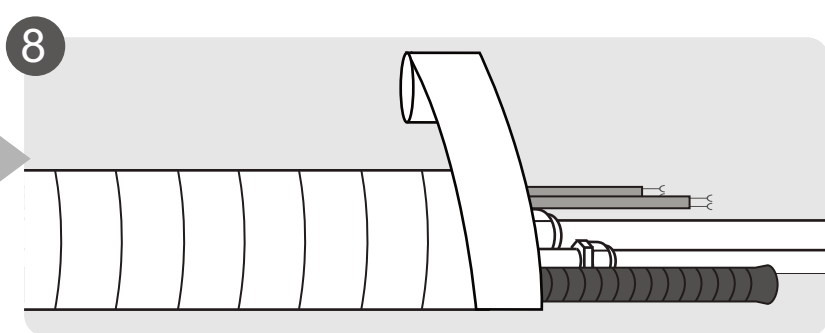
Rohre anschließen



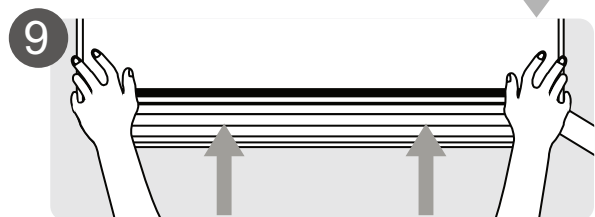
Verbindungskabel
(gilt nicht für einige Standorte in den USA)



Ablaufschlauch vorbereiten



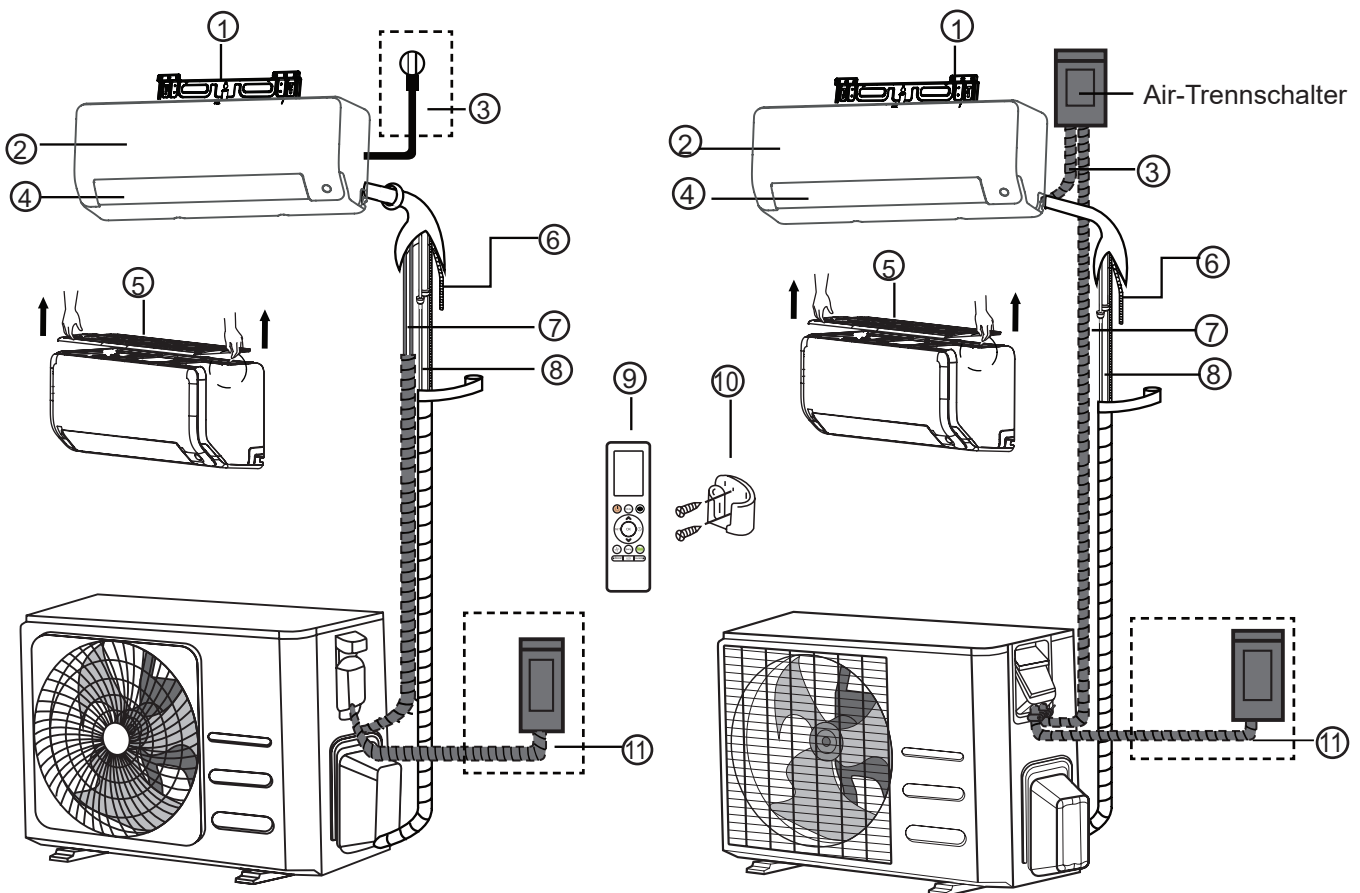
Rohrleitungen und Kabel umwickeln
(gilt nicht für einige Standorte in den USA)



Inneneinheit installieren

Geräteteile

HINWEIS: Die Installation muss gemäß den Anforderungen der lokalen und nationalen Normen durchgeführt werden. Die Installation kann in verschiedenen Bereichen leicht unterschiedlich sein.



(1)

(2)

- ① Wandmontageplatte
- ② Frontplatte
- ③ Netzkabel (einige Einheiten)
- ④ Luftlamelle

- ⑤ Luftfilter (herausziehen)
- ⑥ Abflussrohr
- ⑦ Signalkabel
- ⑧ Kältemittelleitungen

- ⑨ Fernbedienung
- ⑩ Fernbedienungshalter (einige Geräte)
- ⑪ Stromkabel für Außenlufteneinheit (einige Geräte)

HINWEIS ZU ILLUSTRATIONEN

Abbildungen in dieser Anleitung dienen zur Erläuterung. Die tatsächliche Form Ihrer Inneneinheit kann geringfügig abweichen. Die tatsächliche Form ist maßgebend.

Installation der Inneneinheit

Installationsanleitung - Zuluft Einheit

PASSENDE INSTALLATIONSBEDINGUNGEN

Vergewissern Sie sich vor der Installation der Inneneinheit anhand des Etiketts auf der Produktverpackung, dass die Modellnummer der Inneneinheit mit der Modellnummer der Außeneinheit übereinstimmt.

Schritt 1: Installationsort auswählen

Bevor Sie die Inneneinheit installieren, müssen Sie einen geeigneten Standort auswählen. Die folgenden Normen helfen Ihnen, einen geeigneten Standort für die Einheit auszuwählen.

Die richtigen Installationsorte erfüllen die folgenden Normen:

- Gute Luftzirkulation
- Bequeme Entwässerung
- Geräusche vom Gerät werden andere Personen nicht stören.
- Fest und solid - der Standort vibriert nicht.
- Stark genug, um das Gewicht des Geräts zu tragen.
- Ein Ort, der mindestens einen Meter von allen anderen elektrischen Geräten (z. B. Fernseher, Radio, Computer) entfernt ist.

Installieren Sie das Gerät bitte **NICHT** an folgenden Orten:

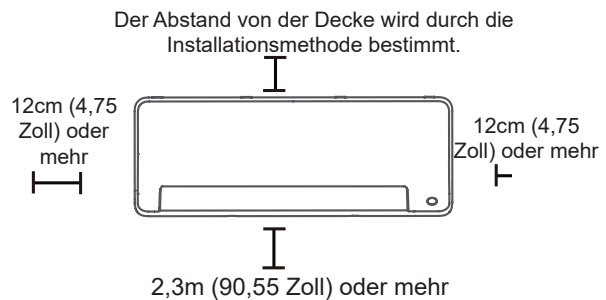
- In der Nähe von Wärmequellen, Dampf oder brennbaren Gasen
- In der Nähe von entflammaren Gegenständen wie Vorhängen oder Kleidung
- In der Nähe von Hindernissen, die die Luftzirkulation blockieren könnten
- In der Nähe der Tür
- An einem Ort, der direktem Sonnenlicht ausgesetzt ist

HINWEIS ZUM WANDLÖCHER:

Wenn keine feste Kältemittelleitungen vorhanden sind:

Beachten Sie bei der Auswahl eines Standortes, dass Sie genügend Platz für ein Loch in der Wand lassen müssen (siehe Schritt „**Wandloch für Verbindungsleitungen bohren**“) für das Signalkabel und die Kältemittelleitungen, die die Innen- und Außeneinheiten verbinden. Die Standardposition für alle Rohrleitungen ist die rechte Seite der Inneneinheit (in Richtung der Einheit). Die Einheit kann jedoch Rohrleitungen sowohl nach links als auch nach rechts zulassen.

Beachten Sie das folgende Diagramm, um den richtigen Abstand zu Wänden und Decke zu gewährleisten:



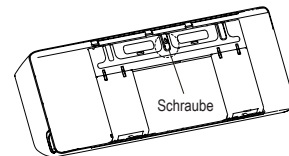
HINWEIS:

- **Wenn das Gerät die Stützung des Rückenhalter nicht braucht:**
Verbinden Sie bitte zuerst die Rohre und Kabel, bevor die Zuluft Einheit an der Wand montiert wird. Wenn die Installationshöhe begrenzt ist, sind 5 cm von der Decke entfernt zulässig, dies kann jedoch die Produktleistung beeinträchtigen. Halten Sie es mindestens 10 cm oder mehr von der Decke entfernt, um ausreichend Platz zum Installieren und Entfernen des oberen Luftfilters zu gewährleisten.
- **Wenn das Gerät die Stützung des Rückenhalter braucht:**
Wenn Sie Rohr und Kabel bei geöffneter Frontplatte verbinden, beträgt der Mindestabstand von der Decke 22 cm oder mehr. Wenn Sie Rohr und Kabel ohne Frontplatte verbinden (entfernen), beträgt der Mindestabstand von der Decke 11 cm oder mehr.

Schritt 2: Montageplatte an der Wand befestigen

Die Inneneinheit wird auf die Montageplatte installiert.

- Entfernen Sie die Schraube, die die Montageplatte mit der Rückseite der Inneneinheit verbindet.



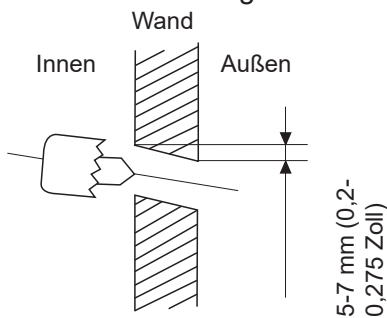
- Befestigen Sie die Montageplatte mit den Schrauben an der Wand. Achten Sie darauf, dass der Montageplatte flach an der Wand aufliegt.

HINWEIS FÜR BETON- ODER ZIEGELWÄNDE:

Wenn die Wand aus Ziegelsteinen, Beton oder ähnlichen Material hergestellt ist, bohren sie Löcher mit einem 5 mm-Durchmesser (0,2 Zoll Durchmesser) L in die r Wand, und setzen die vorgesehenen Dübel ein. Dann sichern Sie die Montageplatte an der Wand, in dem Sie die Schrauben direkt durch den Ankerclip anziehen.

Schritt 3: Ein Loch für das Verbindungsrohr bohren

1. Bestimmen Sie zuerst die Position des Wandlochs anhand der Position der Montageplatte. Zum Referenz sehen Sie die Abmessungen der Montageplatte.
2. Unter Verwendung eines 65 mm (2,5 Zoll) oder 90 mm (3,54 Zoll) (je nach Modell) Bohraufsatzes ein Loch in die Wand bohren. Stellen Sie sicher, dass das Loch in einem leichten Winkel nach unten gebohrt wird, so dass das Außenende des Lochs um etwa 5 mm bis 7 mm (0,2-0,275 Zoll) niedriger ist als das Innenende. Dadurch wird der richtige Wasserablauf gewährleistet.



HINWEIS: Wenn das gasseitige Verbindungsrohr mindestens Φ 16mm (5/8 Zoll) beträgt, sollte das Wandloch 90 mm (3,54 Zoll) betragen.

3. Legen Sie die Schutzwandmanschette in das Loch. Dies schützt die Ränder des Lochs und hilft beim Abdichten, wenn Sie den Installationsvorgang abgeschlossen haben.

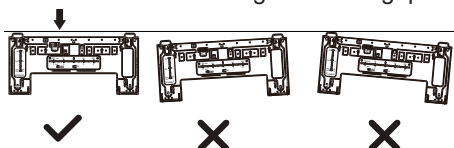
VORSICHT

Achten Sie beim Bohren des Wandlochs darauf, Kabel, Rohrleitungen und andere empfindliche Komponenten zu vermeiden.

ABMESSUNGEN DER BEFESTIGUNGSPLATTE

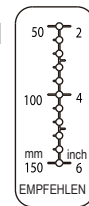
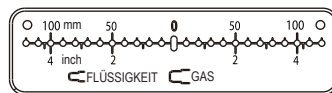
Verschiedene Modelle haben unterschiedliche Montageplatten. Für eine bequeme Installation befinden sich auf der Montageplatte blasenförmige, geschnittene Abmessungen. Bitte installieren Sie die Platte und bohren Sie das Wandloch gemäß den Angaben auf der Montageplatte. Siehe die Abbildungen unten.

Die korrekte Ausrichtung der Montageplatte

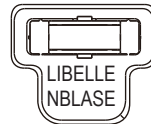


Einheit: mm(inch)

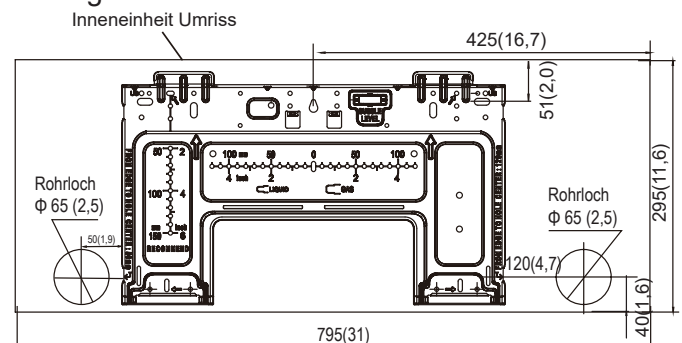
Horizontales Richtungslinial



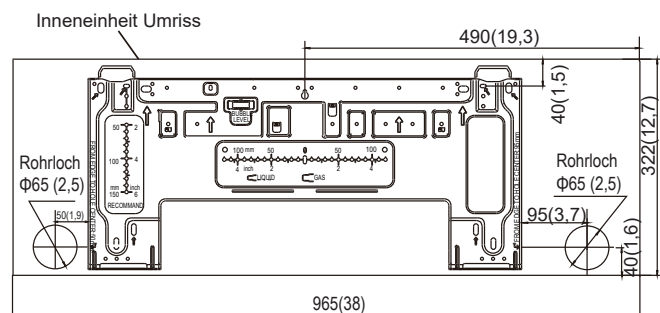
Vertikales Richtungslinial



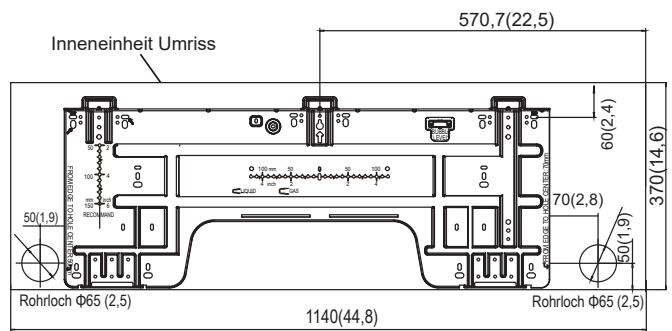
VORSICHT: Die Libellenblase auf der Montageplatte darf nicht entfernt werden. Wenn sie kaputt ist, reinigen Sie bitte die auslaufende Flüssigkeit.



Modell A



Modell B



Modell C

Installation der Inneneinheit

Schritt 4: Vorbereitung der Kühlmittelleitung

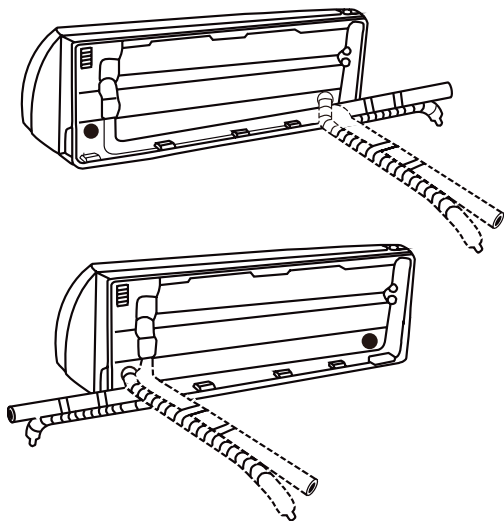
Die Kühlmittelleitung befindet sich innerhalb einer Isolierhülse die an der Rückseite der Einheit angebracht ist. Sie müssen die Rohrleitung vorbereiten, bevor Sie diese durch das Loch in der Wand führen. Ausführliche Technik, Anweisungen, Anforderungen an die Rohrverbreiterung und Bördeldrehmomenten usw. finden Sie im Abschnitt Anschluss von Kältemittelleitungen in dieser Bedienungsanleitung.

HINWEIS ÜBER ROHRWINKEL

Kühlmittelleitungen können die Inneneinheit aus zwei verschiedenen Richtungen verlassen:

- Linke Seite
- Links hinten
- Rechte Seite
- Rechts hinten

Die Detaillierte finden Sie in den folgenden Abbildungen.



HINWEIS ZUR ROHRLEITUNGSVERBINDUNG

- In einigen Ländern der USA muss ein Kabelschlauch verwendet werden, um das Kabel anzuschließen. Um sicherzustellen, dass genügend Platz für die laufenden Rohre vorhanden ist und die Maschine nach der Installation an der Wand anliegt, wird es empfohlen, den Ablaufschlauch an der rechten Seite anzubringen (wenn Sie auf die Rückseite des Geräts schauen).
- Strecken Sie die Rohre bei der Auswahl der Rohrleitungen auf der linken oder rechten Seite horizontal aus, um die Installation der unteren Platte nicht zu beeinträchtigen.

⚠ VORSICHT

Achten Sie besonders darauf, die Rohrleitungen nicht einzuknicken oder zu beschädigen, während

Sie diese von der Einheit wegbiegen. Etwaige Dellen in der Rohrleitung wird die Einheit und dessen Leistung beeinträchtigen.

Wenn in der Wand keine Kältemittelleitungen eingebettet sind, gehen Sie wie folgt vor:

Schritt 1: Stellen Sie die Zuluft Einheit auf der Montageplatte:

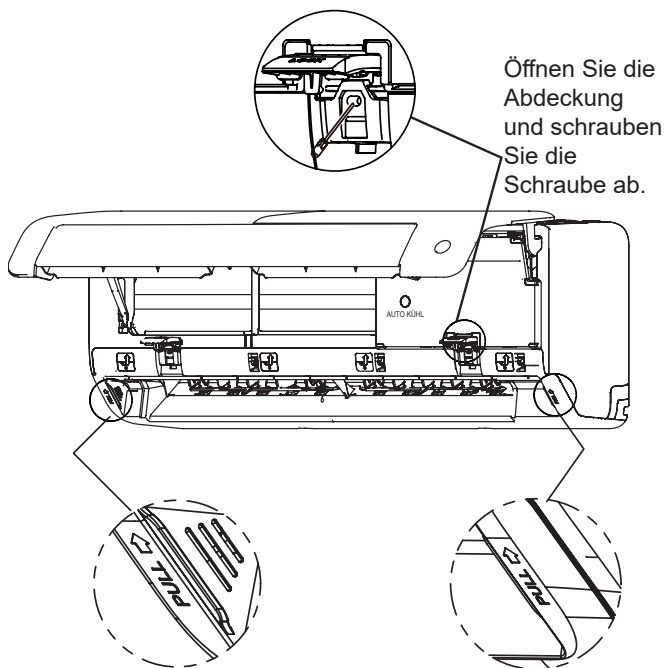
1. Beachten Sie bitte, dass die Haken an der Montageplatte kleiner sind als die Löcher auf der Rückseite der Einheit. Wenn Sie nicht genug Platz haben, um die eingebetteten Rohre an das Inneneinheit anzuschließen, kann die Einheit je nach Modell um ca. 30-50 mm (1,25-1,95 Zoll) nach links oder rechts verschoben werden.



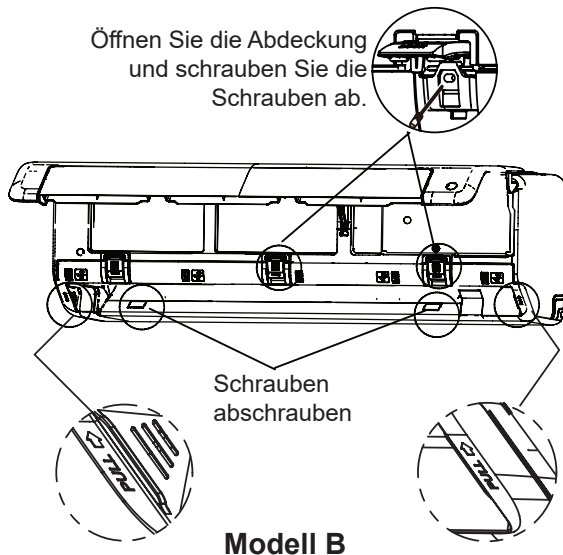
Verschiebung nach links oder rechts

Schritt 2: Kältemittelleitungen vorbereiten:

1. Öffnen Sie zuerst die Platte und fixieren Sie deren Position. Machen Sie dann die Abdeckungen der beiden Verriegelungsblöcke auf. Schrauben Sie die in der Abbildung unten gezeigte Schraube los und halten Sie beide Seiten der unteren Platte an der mit „Ziehen“ gekennzeichneten Stelle. Ziehen Sie es nach oben, um die Schnallen zu lösen, dann können Sie dann die untere Platte abnehmen.

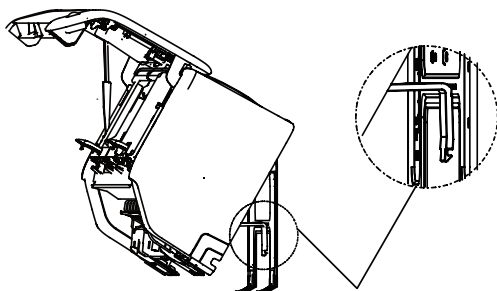


Modell A



Modell B

2. Verwenden Sie den Halter an der Rückseite des Geräts, um das Gerät abzustützen. So haben Sie genügend Platz, um die Kältemittelleitungen, das Signalkabel und den Ablaufschlauch anzuschließen.



Verwenden Sie den Halter an der Rückseite des Geräts gegen die Montageplatte, um das Gerät abzustützen

Schritt 3. Schließen Sie den Ablaufschlauch und die Kältemittelleitungen an (Anweisungen finden Sie im Abschnitt Anschluss der Kältemittelleitungen in dieser Bedienungsanleitung).

Schritt 4. Halten Sie den Rohrverbindungs­punkt frei, um die Dichtheitsprüfung durchzuführen (siehe Abschnitt Elektrische Prüfungen und Dichtheitsprüfungen in dieser Bedienungsanleitung).

Schritt 5. Wickeln Sie den Anschlusspunkt nach der Dichtheitsprüfung mit Isolierband um.

Schritt 6. Entfernen Sie die Halterung oder den Keil, die bzw. der mit Isolierband abgestützt ist.

Schritt 7. Mit gleichmäßigem Druck drücken Sie die untere Hälfte der Einheit nach unten. Drücken Sie solange nach unten, bis die Einheit auf den Haken entlang der Unterseite der Montageplatte einrastet.

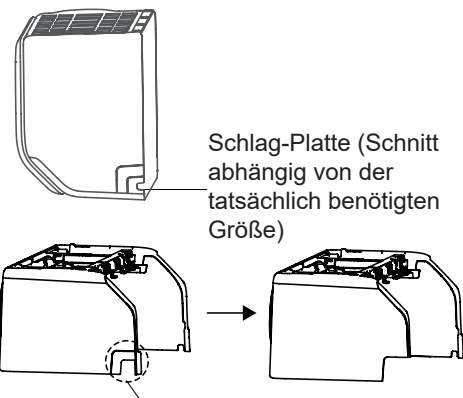
Wenn in der Wand keine Kältemittelleitungen eingebettet sind, gehen Sie wie folgt vor:

1. Wählen Sie basierend auf der Position des Wandlochs relativ zur Montageplatte die Seite,

von der die Rohrleitungen aus dem Gerät austreten.

2. Wenn sich das Wandloch hinter dem Gerät befindet, halten Sie die Schlag-Platte an Ort und Stelle. Befindet sich die Wandöffnung an der Seite des Innengeräts, entfernen Sie die Kunststoff-Ausbrechplatte von dieser Seite des Geräts.

(Siehe Abbildung unten). Dadurch entsteht ein Schlitz, durch den Ihre Rohrleitungen aus dem Gerät austreten können. Verwenden Sie eine Spitzzange, wenn das Entfernen der Kunststoffplatte mit der Hand zu schwierig ist.



Wenn Sie eine große Kunststoffplatte schneiden brauchen, schneiden Sie sie wie oben gezeigt.

3. Schneiden Sie die Länge der Isolierhülse mit einer Schere ab, um etwa 40 mm (1,57 Zoll) der Kältemittelleitung freizulegen. Dies dient zwei Zwecken:

- Zur Erleichterung des Anschlussprozesses für Kältemittelleitungen.
- Zur Erleichterung der Gasleckprüfung und zur Überprüfung auf Dellen

4. Verwenden Sie den Halter an der Rückseite des Geräts, um das Gerät abzustützen. So haben Sie genügend Platz, um die Kältemittelleitungen, das Signalkabel und den Ablaufschlauch anzuschließen.

5. Schließen Sie die Kältemittelleitungen der Zuluft­einheit an der Verbindungsleitung an, die die Zuluft- und Außenluft­einheit verbindet. Ausführliche Anweisungen finden Sie im Abschnitt Anschluss von Kältemittelleitungen in dieser Bedienungsanleitung.

6. Bestimmen Sie anhand der Position des Wandlochs relativ zur Montageplatte den erforderlichen Winkel der Rohrleitungen.

7. Fassen Sie die Kältemittelleitungen an der Basis des Knierohrs an.

8. Biegen Sie die Rohrleitung langsam mit gleichmäßigem Druck zur Lochrichtung. Dellen oder beschädigen Sie die Rohrleitungen während des Vorgangs **nicht**.

Schritt 5: Verbindung des Ablaufschlauches

Standardmäßig ist der Ablaufschlauch an der linken Seite der Einheit angebracht (wenn Sie auf die Rückseite der Einheit schauen). Es kann aber auch auf der rechten Seite angebracht werden. Um einen ordnungsgemäßen Abfluss zu gewährleisten, befestigen Sie den Ablaufschlauch auf der gleichen Seite, auf der Ihre Kühlmittelleitung die Einheit verlässt.

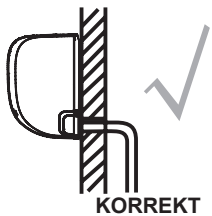
HINWEIS: Wenn die Maschine an einigen Standorten in den USA mit einem Leitungspaneel ausgestattet ist, wählen Sie bitte die rechtsseitige Entwässerung.

- Wickeln Sie den Verbindungspunkt fest mit Teflon Band, um eine gute Abdichtung zu gewährleisten und um Lecks zu verhindern.
- • den Luftfilter entfernen und eine kleine Menge Wasser in die Ablaufwanne schütten, um sicherzustellen, dass das Wasser reibungslos aus der Einheit fließt.

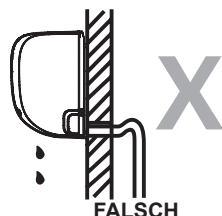
! HINWEIS ZUR PLATZIERUNG DES ABLAUFSCHLAUCHES

Achten Sie darauf, den Ablaufschlauch gemäß der folgenden Abbildung zu installieren.

- ⊗ Knicken Sie den Ablaufschlauch **NICHT**.
- ⊗ **Vermeiden** Sie bitte die Wasseransammlung.
- ⊗ Legen Sie das Ende des Ablaufschlauchs bitte **NICHT** in Wasser oder einen Behälter, in dem sich Wasser ansammelt.



Stellen Sie sicher, dass keine Knicke oder Dellen in dem Ablaufschlauch sind, um die ordnungsgemäße Entwässerung zu gewährleisten.



Knicke im Ablaufschlauch erzeugen Wasserfallen.

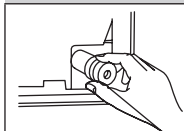


Knicke im Ablaufschlauch erzeugen Wasserfallen.



Das Ende des Ablaufschlauchs nicht in Wasser legen oder in Container, die Wasserauffangen. Dies würde den korrekten Ablauf verhindern.

DAS UNBENUTZTE ABFLUSSLOCH MUSS VERSCHLOSSEN WERDEN



Um zu verhindern, unerwünschte Lecks müssen Sie das nicht verwendete Abflussloch mit dem Gummistopfen versehen.

! BEVOR SIE DIE ELEKTRISCHEN ARBEITEN AUSFÜHREN, LESEN SIE BITTE DIE FOLGENDEN VORSCHRIFTEN

1. Alle Leitungen müssen gemäß den örtlichen und nationalen elektrischen Bestimmungen und, Vorschriften und von einem Elektriker installiert werden.
2. Alle elektrischen Anschlüsse müssen gemäß dem elektrischen Anschlussplan an den Schalttafeln der Innen- und Außeneinheiten erfolgen.
3. Wenn es ein ernsthaftes Sicherheitsproblem mit der Stromversorgung gibt, beenden Sie sofort ihre Tätigkeit. Informieren Sie ihren Klienten und weigern Sie sich, die Einheit zu installieren, bis ihre Sicherheitsbedenken gelöst sind.
4. Die Netzspannung sollte sich innerhalb von 90-110% der Nennspannung befinden. Unzureichende Stromversorgung kann zu Fehlfunktionen führen, elektrischen Schlägen oder Feuer.
5. Wenn der Strom an eine feste Verkabelung angeschlossen wird, sollten ein Überspannungsschutz und ein Hauptschalter installiert werden.
6. Wenn Sie eine feste Verdrahtung an die Stromversorgung vornehmen, muss ein Schalter oder Trennschalter, der allpolig trennt und einen Kontaktabstand von mindestens 1/8 Zoll (3 mm) aufweist, in die feste Verdrahtung integriert werden. Der qualifizierte Techniker muss einen zugelassenen Schutzschalter oder Schalter verwenden..
7. Schließen Sie die Einheit nur an eine einzelne Steckdose an. Ein anderes Gerät darf an diesen Ausgang nicht angeschlossen werden.
8. Achten Sie darauf, die Klimaanlage vorschriftsmäßig zu erden.
9. Jedes Kabel muss fest angeschlossen werden. Lose Verkabelung kann zur Überhitzung des Terminals führen, was zu Fehlfunktionen des Produkts und möglicherweise zu Brand führen kann.
10. Lassen Sie die Drähte nicht an Kühlmittelschläuchen, dem Kompressor oder anderen beweglichen Teilen innerhalb der Einheit anliegen.
11. Wenn die Einheit eine elektrische Zusatzheizung hat, muss diese mindestens 1 Meter (40 Zoll) von brennbaren Materialien entfernt installiert werden.
12. Um zu vermeiden, einen elektrischen Schlag bekommen, berühren Sie nie die elektrischen Komponenten direkt nachdem die Stromversorgung ausgeschaltet wurde. Nach dem Abschalten des Gerätes, immer 10 Minuten oder länger warten, bevor Sie die elektrischen Komponenten berühren.

! WARNUNG

SCHALTEN SIE VOR DER DURCHFÜHRUNG VON ELEKTRO- ODER VERDRAHTUNGSARBEITEN DIE HAUPTSTROMVERSORGUNG DES SYSTEMS AUS.

Schritt 6: Signal- und Stromkabelverbinden

Das Signalkabel ermöglicht die Kommunikation zwischen den Innen- und Außeneinheiten. Sie müssen zuerst die richtige Kabelgröße auswählen, bevor Sie es für den Anschluss vorbereiten.

Kabeltypen

- Netzkabel für den Innenbereich (falls zutreffend):
H05VV-F oder H05V2V2-F
- **Stromkabel außen:** H07RN-F oder H05RN-F
- **Signalkabel:** H07RN-F

HINWEIS: In Nordamerika wählen Sie den Kabeltyp entsprechend den örtlichen elektrischen Vorschriften und Bestimmungen.

Mindestquerschnittsfläche von Strom- und Signalkabeln (als Referenz) (gilt nicht für Nordamerika)

Nennstrom des Geräts (A)	Nennquerschnittsfläche (mm ²)
> 3 and ≤ 6	0,75
> 6 and ≤ 10	1
> 10 and ≤ 16	1,5
> 16 and ≤ 25	2,5
> 25 and ≤ 32	4
> 32 and ≤ 40	6

WÄHLEN SIE DIE RICHTIGE GRÖSSE DES KABELS AUS

Die Größe des Stromversorgungskabels, Signalkabels, Sicherung und des Schalters wird durch den maximalen Stromverbrauch der Einheit bestimmt. Der maximale Stromverbrauch ist von dem Typenschild auf der Seitenwand der Einheit zu ermitteln. Wählen Sie die richtigen Kabel, Sicherungen oder Schalter an Hand dieses Typenschildes.

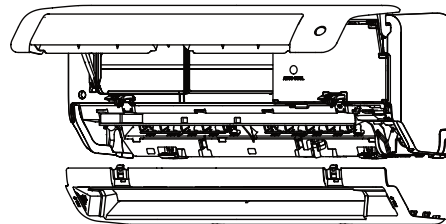
HINWEIS: In Nordamerika wählen Sie bitte die richtige Kabelgröße entsprechend der auf dem Typenschild des Geräts angegebenen Mindestschaltstrombelastbarkeit.

1. Öffnen und fixieren Sie die Position des Panels, öffnen Sie dann die Abdeckungen der beiden Verriegelungsblöcke, lösen Sie die Schraube, halten Sie dann beide Seiten des unteren Panels an der mit „ZIEHEN“ markierten Stelle, ziehen Sie es nach oben, um die Schnallen zu lösen, und nehmen Sie dann das untere Panel ab (siehe Seite 22-23).
2. Öffnen Sie die Kabelabdeckung, um das Kabel anzuschließen.
3. A Kabelklemme unterhalb der Klemmleiste abschrauben und zur Seite legen.
4. Mit Blick auf die Rückseite der Einheit, Entfernung der Kunststoffplatte auf der unteren linken Seite.

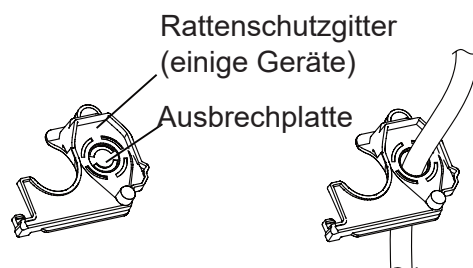
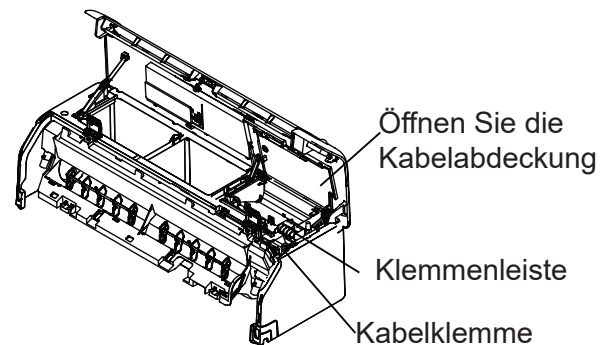
! WARNUNG

DIE GESAMTE VERDRÄHTUNG MUSS IN STRIKTER ÜBEREINSTIMMUNG MIT DEM SCHALTPLAN ERFOLGEN, DER SICH AUF DER RÜCKSEITE DER FRONTPLATTE DES INNENGERÄTS BEFINDET.

5. Führen Sie das Signalkabel durch diesen Schlitz von der Rückseite des Geräts zur Vorderseite.
6. Mit Blick auf die Vorderseite der Einheit, den Draht nach dem Schaltplan der Inneneinheit verbinden, die U-Lasche anschließen und jeden Draht mit seinem entsprechenden Endpunkt fest verschrauben.



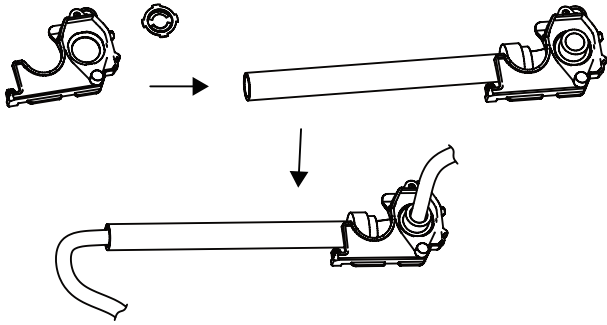
Öffnen Sie zuerst die Frontplatte und entfernen Sie dann die untere Platte.



HINWEIS: Wenn das Kabel zu groß ist, entfernen Sie die mittlere kleine Kunststoffplatte, um einen Schlitz zu schaffen, durch den das Kabel austreten kann. Wenn Sie das Fahrgestell oder den Abflussschlauch ausbauen möchten, entfernen Sie bitte zuerst das Rattenschutzgitter.

In Nordamerika

Entfernen Sie zunächst die Ausklinkplatte, um einen Schlitz zu schaffen, durch den das Leitungsrohr eingeführt werden kann. Führen Sie dann das Kabel durch das Leitungsrohr und schließen Sie es an das Innengerät an.



! VORSICHT

LEBENDE UND NULL KABEL NICHT VERWECHSELN

Das ist gefährlich und kann in der Klimaanlage zu Fehlfunktionen führen.

- Nachdem Sie überprüft haben, dass alle Verbindungen sicher sind, befestigen Sie das Signalkabel mit der Kabelklemme an der Einheit. Schrauben Sie die Kabelklemme fest.
- Ersetzen der Drahtabdeckung auf der Vorderseite der Einheit, und die Kunststoffplatte auf der Rückseite.

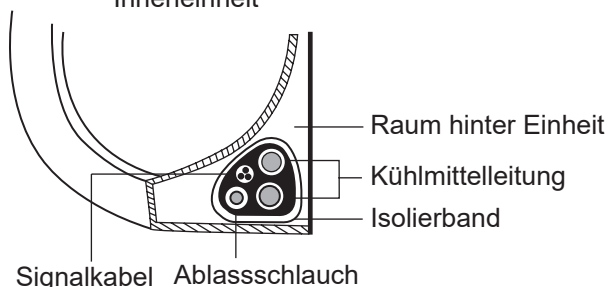
! HINWEIS ÜBER VERKABELUNG

DIE VERBINDUNGEN KÖNNEN SICH BEI DEN EINHEITEN IN DER LAGE ETWAS UNTERSCHIEDEN:

Schritt 7: Rohrleitungen und Kabel umwickeln
Bevor Sie die Rohrleitungen, den Abflussschlauch und das Signalkabel durch das Wandloch führen, müssen Sie sie bündeln, um Platz zu sparen, auch sie schützen und isolieren (dies gilt möglicherweise nicht für einige Standorte in den USA).

- Bündeln des Ablaufschlauches, der Kühlmittelleitungen und des Signalkabels, wie unten dargestellt:

Inneneinheit



ABLAUFSCHLAUCH MUSS NACH UNTEN LIEGEN

Achten Sie darauf, dass der Ablaufschlauch sich an der Unterseite des Bündels befindet. Inbetriebnahme des Ablaufschlauchs an der Oberseite des Bündels kann die Ablaufwanne zum Überlaufen bringen, was zu Brand oder Wasserschäden führen kann.

VERFLECHTEN SIE DAS SIGNALKABEL NICHT MIT ANDEREN KABELN.

Wenn Sie diese Elemente zusammenfassen, verflechten Sie das Signalkabel nicht mit anderen Kabeln.

- Unter Verwendung eines selbstklebenden Vinylbands, befestigen Sie den Ablaufschlauch an der Unterseite der Kühlmittelleitungen.
- Unter Verwendung von Isolierband, wickeln Sie den Signaldraht, Kühlmittelleitungen und Ablaufschlauch fest zusammen. Vergewissern Sie sich, dass alle Elemente ordnungsgemäß gebündelt sind.

DIE ROHRENDEN DÜRFEN NICHT UMWICKELT WERDEN

Wenn das Bündel eingewickelt wird, müssen die Enden der Rohrleitung frei bleiben. Sie müssen auf diese zugreifen können, um am Ende des Installationsvorgangs die Dichte zu prüfen (siehe Abschnitt **Elektrische Prüfungen und Leckprüfungen** in dieser Anleitung).

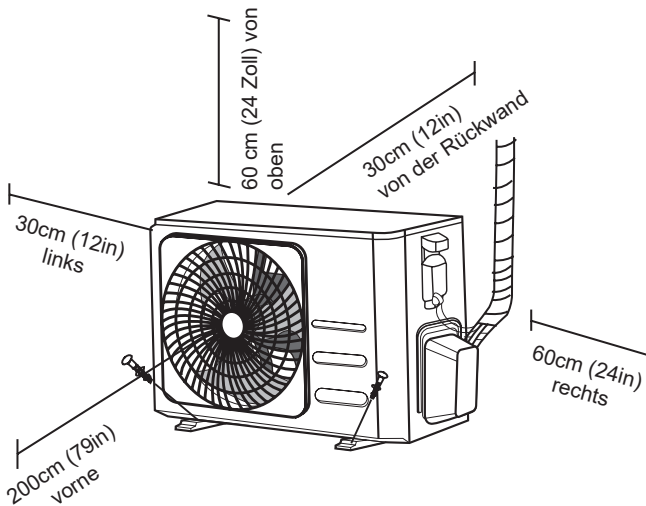
Schritt 8: Inneneinheit installieren

Wenn Sie neue Verbindungsrohre zum Außengerät installiert haben, gehen Sie wie folgt vor:

- Wenn Sie bereits die Kühlmittelleitung durch das Loch in der Wand geführt haben, gehen Sie zu Schritt 4.
- Andernfalls überprüfen Sie, dass die Enden der Kühlmittelrohre abgedichtet sind, um zu verhindern, dass Schmutz oder Fremdmaterialien in die Rohre eintritt.
- Führen Sie langsam das umwickelte Bündel von Kühlmittelleitungen, Abflussschlauch und Signaldraht durch das Loch in der Wand.
- Hängen Sie den oberen Teil der Inneneinheit auf der oberen Haken der Montageplatte.
- Vergewissern Sie sich durch leichten Druck auf die linke und rechte Seite der Einheit, dass die Einheit fest angeschlossen ist. Die Einheit sollte nicht wackeln oder sich verschieben.
- Mit gleichmäßigem Druck drücken Sie die untere Hälfte der Einheit nach unten. Drücken Sie solange nach unten, bis die Einheit auf den Haken entlang der Unterseite der Montageplatte einrastet.
- Überprüfen Sie wiederum durch leichten Druck der linken und rechten Seite, dass die Einheit fest angebracht ist.

Installation der Außeneinheit

Installieren Sie das Gerät gemäß den örtlichen Vorschriften und Bestimmungen. Es kann geringfügige Unterschiede zwischen den verschiedenen Regionen geben.



Installationsanleitung - Außenlufteinheit

Schritt 1: Installationsort auswählen

Vor der Installation der Außenlufteinheit müssen Sie einen geeigneten Ort auswählen. Die folgenden Standards helfen Ihnen bei der Auswahl eines geeigneten Standorts für das Gerät.

Die richtigen Installationsorte erfüllen die folgenden Standards:

- Alle räumlichen Anforderungen sollen erfüllt werden, die oben unter Anforderungen an den Installationsbereich aufgeführt sind.
- Gute Luftzirkulation und Belüftung
- Fest und solid - der Standort kann das Gerät tragen und vibriert nicht.
- Geräusche vom Gerät stören die andere nicht.
- Geschützt vor längerer direkter Sonneneinstrahlung oder Regen
- Wenn Schneefall zu erwarten ist, ergreifen Sie geeignete Maßnahmen, um Eisbildung und Schäden an den Spulen zu verhindern.

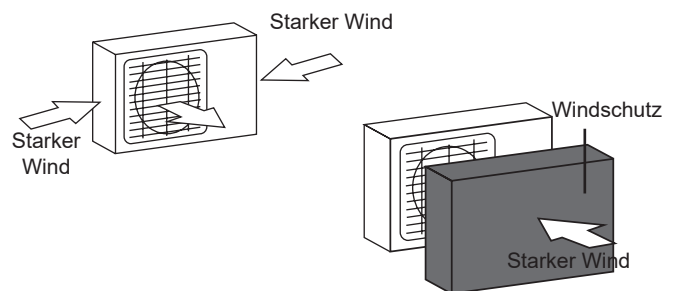
Installieren Sie das Gerät bitte **NICHT** an folgenden Orten:

- ⊘ In der Nähe eines Hindernisses, das Luften- und -auslässe blockiert
- ⊘ In der Nähe einer öffentlichen Straße, überfüllter Bereiche oder anderer Orte, wo Lärm aus dem Geräte die andere stören wird
- ⊘ In der Nähe von Tieren oder Pflanzen, die durch Heißluftaustritt geschädigt werden
- ⊘ In der Nähe von brennbaren Gasquellen
- ⊘ An einem Ort, der großen Staubmengen ausgesetzt ist
- ⊘ An einem Ort, der übermäßig viel salziger Luft ausgesetzt ist

BESONDERE HINWEISE FÜR EXTREMES WETTER

Wenn das Gerät starkem Wind ausgesetzt ist:

Installieren Sie das Gerät so, dass der Luftaustrittsventilator in einem Winkel von 90° zur Windrichtung steht. Bauen Sie bei Bedarf eine Barriere vor dem Gerät, um es vor extrem starken Winden zu schützen. Siehe Abbildung unten.



Wenn das Gerät häufig starkem Regen oder Schnee ausgesetzt ist:

Bauen Sie über dem Gerät eine Schutzblende, um es vor Regen oder Schnee zu schützen. Achten Sie darauf, den Luftstrom um das Gerät nicht zu behindern.

Wenn das Gerät häufig salziger Luft ausgesetzt ist (am Meer):

Verwenden Sie eine Außenlufteinheit, das speziell gegen Korrosion ausgelegt ist.

Schritt 2: Installation einer Ablaufverbindung (nur für Wärmepumpeneinheit)

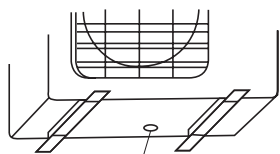
Bevor Sie die Außeneinheit anbringen, müssen Sie die Ablaufverbindung an der Unterseite der Einheit installieren. Es ist zu beachten, dass es zwei verschiedene Typen von Ablaufverbindungen gibt, die von der Art der Außeneinheit abhängen.

Wenn die Ablaufverbindung mit einer Gummidichtung versehen ist (siehe Abb. A), gehen Sie wie folgt vor:

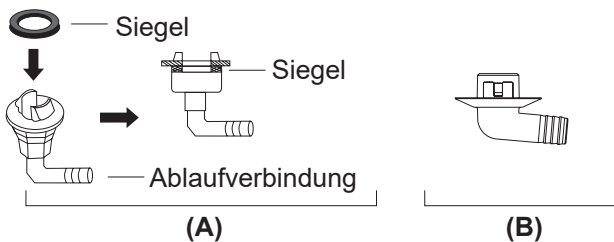
1. Montieren Sie die Gummidichtung am Ende der Ablaufverbindung, die mit der Außeneinheit verbunden wird.
2. Setzen Sie den Ablaufstutzen in das Loch in der Bodenwanne des Geräts ein.
3. Drehen Sie das Ablaufstück um 90°, bis es mit Blick auf die Vorderseite des Gerätes einrastet.
4. Schließen Sie eine Ablaufschlauchverlängerung (nicht im Lieferumfang enthalten) an die Ablaufverbindung an, um das Wasser aus dem Gerät während des Wärmen-Modus umzuleiten.

Wenn die Abflussverbindung nicht mit einer Gummidichtung ausgestattet ist (siehe Abb. B), gehen Sie wie folgt vor:

1. Setzen Sie den Ablaufstutzen in das Loch in der Bodenwanne des Geräts ein. Die Ablaufverbindung wird einrasten.
2. Schließen Sie eine Ablaufschlauchverlängerung (nicht im Lieferumfang enthalten) an die Ablaufverbindung an, um das Wasser aus dem Gerät während des Wärmen-Modus umzuleiten.



Bodenloch der Außeneinheit



! IN KALTEN KLIMAGEBIETEN

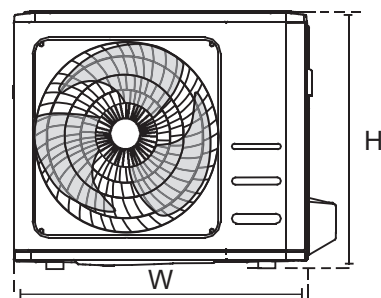
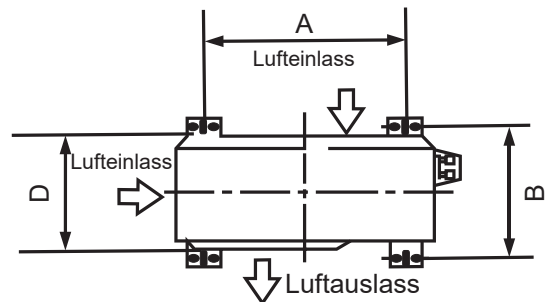
In kalten Klimazonen stellen Sie sicher, dass der Ablaufschlauch möglichst senkrecht steht um schnellen Wasserablauf zu gewährleisten. Wenn Wasser zu langsam abläuft, kann es in dem Schlauch einfrieren und die Einheit überfluten.

Schritt 3: Außeneinheit verankern

Die Außeneinheit kann mittels einer Schraube (M10) mit dem Boden oder mit einer an der Wand angebrachten Halterung verankert werden. Bereiten Sie die Installation der Einheit entsprechend der unten aufgeführten Abmessungen vor.

INSTALLATIONSMASSE DER EINHEIT

Es folgt eine Liste der verschiedenen Größen der Außeneinheit und dem Abstand zwischen ihren Befestigungsfüßen. Bereiten Sie die Installation der Einheit entsprechend der unten aufgeführten Abmessungen vor.



Abmessungen der Außenlufteinheit (mm) W × H × D	Montageabmessungen	
	Abstand A (mm)	Abstand B (mm)
681x434x285 (26,8" x 17,1" x 11,2")	460 (18,1")	292 (11,5")
700x550x270 (27,5" x 21,6" x 10,6")	450 (17,7")	260 (10,2")
700x550x275 (27,5" x 21,6" x 10,8")	450 (17,7")	260 (10,2")
720x495x270 (28,3" x 19,5" x 10,6")	452 (17,8")	255 (10,0")
728x555x300 (28,7" x 21,8" x 11,8")	452 (17,8")	302 (11,9")
765x555x303 (30,1" x 21,8" x 11,9")	452 (17,8")	286 (11,3")
770x555x300 (30,3" x 21,8" x 11,8")	487 (19,2")	298 (11,7")
805x554x330 (31,7" x 21,8" x 12,9")	511 (20,1")	317 (12,5")
800x554x333 (31,5" x 21,8" x 13,1")	514 (20,2")	340 (13,4")
845x702x363 (33,3" x 27,6" x 14,3")	540 (21,3")	350 (13,8")
890x673x342 (35,0" x 26,5" x 13,5")	663 (26,1")	354 (13,9")
946x810x420 (37,2" x 31,9" x 16,5")	673 (26,5")	403 (15,9")
946x810x410 (37,2" x 31,9" x 16,1")	673 (26,5")	403 (15,9")

Wenn Sie das Gerät auf dem Boden oder auf einer Betonplattform installieren, gehen Sie wie folgt vor:

1. Markieren Sie die Positionen für vier Expansionsschrauben anhand der Maßtabelle.
2. Bohren Sie Löcher für Expansionsschrauben vor.
3. Setzen Sie eine Mutter auf das Ende jeder Expansionsschraube.
4. Hämmern Sie dann die Expansionsschrauben in den vorgebohrten Löcher.
5. Entfernen Sie die Muttern von den Expansionsschrauben und setzen Sie die Außenlufteinheit auf die Schrauben.
6. Setzen Sie eine Unterlegscheibe auf jede Expansionsschraube und bringen Sie die Muttern wieder an.
7. Ziehen Sie jede Mutter mit einem Schraubenschlüssel fest an.



WARNUNG

BEIM BOHREN IN BETON WIRD DER AUGENSCHUTZ ZU JEDER ZEIT EMPFOHLEN.

Wenn Sie das Gerät an einer Wandhalterung installieren, gehen Sie wie folgt vor:



VORSICHT

Stellen Sie sicher, dass die Wand aus massivem Ziegel, Beton oder ähnlich starkem Material besteht. **Die Wand muss mindestens das Vierfache des Gewichts des Geräts tragen können.**

1. Markieren Sie die Position der Halterungslöcher anhand der Maßtabelle.
2. Bohren Sie die Löcher für die Expansionsschrauben vor.
3. Setzen Sie eine Unterlegscheibe und eine Mutter auf das Ende jeder Expansionsschraube.
4. Führen Sie die Expansionsschrauben durch die Löcher in den Montagehalterungen, bringen Sie die Montagehalterungen in die Position und hämmern Sie die Expansionsschrauben in die Wand.
5. Überprüfen Sie, ob die Montagehalterungen eben sind.
6. Heben Sie das Gerät vorsichtig an und setzen Sie die Montagefüße auf die Halterungen.
7. Schrauben Sie das Gerät fest an die Halterungen.
8. Installieren Sie das Gerät, falls zulässig, mit Gummidichtungen, um Vibrationen und Geräusche zu reduzieren.

Schritt 4: Signal- und Stromkabelverbinden

Die Klemmenleiste der Außeneinheit und deren elektrische Kabel sind durch eine Abdeckung an der Seite der Einheit geschützt. Ein umfassender Schaltplan ist auf die Innenseite der Kabelabdeckung gedruckt.

WARNUNG

SCHALTEN SIE VOR DER DURCHFÜHRUNG VON ELEKTRO- ODER VERDRÄHTUNGSARBEITEN DIE HAUPTSTROMVERSORGUNG DES SYSTEMS AUS.

1. Bereiten Sie das Kabel für den Anschluss vor:

VERWENDEN SIE DIE RICHTIGEN KABEL

Bitte wählen Sie das richtige Kabel aus, siehe „Kabeltypen“ auf Seite 25.

WÄHLEN SIE DIE RICHTIGE GRÖSSE DES KABELS AUS

Die Größe des Stromversorgungskabels, Signalkabels, Sicherung und des Schalters wird durch den maximalen Stromverbrauch der Einheit bestimmt. Der maximale Stromverbrauch ist von dem Typenschild auf der Seitenwand der Einheit zu ermitteln.

HINWEIS: In Nordamerika wählen Sie bitte die richtige Kabelgröße entsprechend der auf dem Typenschild des Geräts angegebenen Mindestschaltstrombelastbarkeit.

- Ziehen Sie den Gummimantel mit Abisolierzangen von beiden Enden des Kabels ab, um etwa 40mm (1,57 Zoll) des Kabels freizulegen.
- Entfernen Sie die Isolierung von den Kabelenden.
- Verwenden Sie eine Kabelzange, um die U-Laschen an den Kabelenden zu pressen.

ACHTEN SIE AUF LEBENDE KABEL

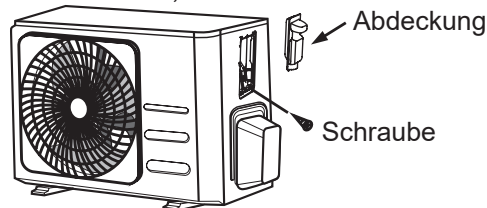
Achten Sie beim Crimpen von Drähten darauf, stellen Sie sicher, dass Sie den unter Strom stehenden („L“) Draht von anderen Drähten deutlich unterscheiden.

WARNUNG

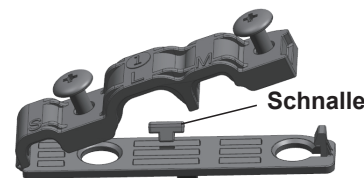
ALLE VERDRÄHTUNGSARBEITEN MÜSSEN ENTSPRECHEND DEM VERDRÄHTUNGSDIAGRAMM AUSGEFÜHRT WERDEN, DAS INNERHALB DER DRAHTABDECKUNG DES AUSSENGERÄTS LIEGT.

- Schrauben Sie die elektrische Kabelabdeckung ab und entfernen Sie diese.
- A Kabelklemme unterhalb der Klemmleiste abschrauben und zur Seite legen.
- Verbinden der Drähte gemäß Schaltplan, und festschrauben der U-Lasche jeden Drahtes an seinem entsprechenden Anschlusspunkt.
- Nach dem Überprüfen das jede Verbindung sicher ist, die Drähte zusammen drehen, um sicherzustellen, dass kein Regenwasser in das Terminal eindringt.
- Befestigen Sie das Kabel mit Hilfe der Kabelklemme an der Einheit. Schrauben Sie die Kabelklemme fest.
- Nicht verwendete Drähte mit PVC-Isolierband isolieren. Ordnen Sie diese so an, dass sie

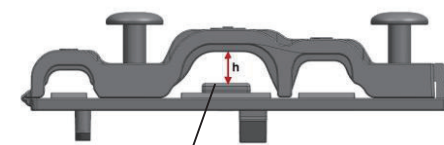
- keine elektrischen oder Metallteile berühren.
- Die Abdeckung wieder auf die Seite der Einheit setzen, und festschrauben.



HINWEIS: Wenn die Kabelklemme wie folgt aussieht, wählen Sie bitte die entsprechende Durchgangsbohrung entsprechend dem Durchmesser des Drahtes.



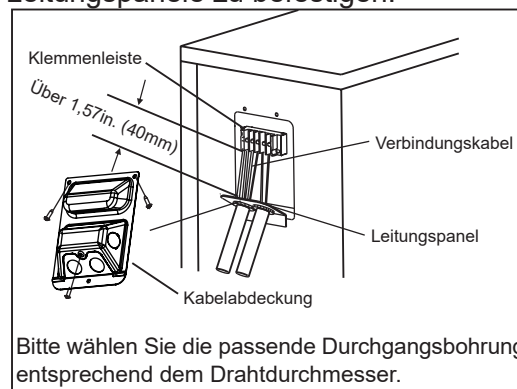
Drei große Löcher: Klein, Groß, Mittel



Wenn die Kalbe nicht ausreichend befestigt ist, verwenden Sie die Schnalle, um sie zu stützen, damit sie fest eingespannt werden kann.

In Nordamerika

- Entfernen Sie die Kabelabdeckung von der Einheit, indem Sie die 3 Schrauben lösen.
- Demontieren Sie die Schutzkappen an der Leitungsplatte
- Montieren Sie die Rohrschläuche (nicht im Lieferumfang enthalten) vorübergehend an dem Leitungspanel
- Schließen Sie die Stromversorgungs- und Niederspannungsleitungen ordnungsgemäß an die entsprechenden Klemmen am Klemmenblock an.
- Erdung der Einheit erfolgt entsprechend den örtlichen Vorschriften.
- Stellen Sie sicher, dass die Kabel so dimensioniert werden, dass sie einige Zoll länger sind als die für die Verdrahtung erforderliche Länge.
- Verwenden Sicherungsmuttern um die Leitungspanele zu befestigen.



Kältemittelleitungsanschluss

Lassen Sie beim Anschließen von Kältemittelleitungen **keine** anderen Substanzen oder Gase als das angegebene Kältemittel in das Gerät gelangen. Das Vorhandensein anderer Gase oder Substanzen verringert die Kapazität des Geräts und kann zu einem ungewöhnlich hohen Druck im Kühlkreislauf führen. Dies kann zu Explosionen und Verletzungen führen.

Hinweis zur Rohrlänge

Die Länge der Kältemittelleitungen wirkt sich auf die Leistung und Energieeffizienz des Geräts aus. Der Nennwirkungsgrad wird an Geräten mit einer Rohrlänge von 5 Metern (16,5ft) getestet (in Nordamerika beträgt die Standardrohrlänge 7,5m (25')). Ein Mindestrohrverlauf von 3 Metern ist erforderlich, um Vibrationen und übermäßige Geräusche zu minimieren. In speziellen tropischen Gebieten kann für die Kältemittelmodelle R290 kein Kältemittel hinzugefügt werden, und die maximale Länge der Kältemittelleitung sollte 10 Meter (32,8ft) nicht überschreiten.

In der folgenden Tabelle finden Sie Angaben zur maximalen Länge und Fallhöhe der Rohrleitungen.

Maximale Länge und Fallhöhe der Kältemittelleitungen pro Einheitsmodell

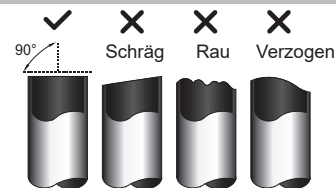
Modell	Kapazität (BTU/h)	Max. Länge (m)	Max. Fallhöhe (m)
R410A, R32 Inverter Split Klimaanlage	<15.000	25 (82ft)	10 (33ft)
	≥ 15.000 und	30 (98,5ft)	20 (66ft)
	≥ 24.000 und	50 (164ft)	25 (82ft)
R22 Feste Geschwindigkeit Split Klimaanlage	<18.000	10 (33ft)	5 (16ft)
	≥ 18.000 und	15 (49ft)	8 (26ft)
	≥ 21.000 und	20 (66ft)	10 (33ft)
R410A, R32 Konstante Geschwindigkeit Split Klimaanlage	.000	20 (66ft)	8 (26ft)
	≥ 18.000 und 00	25 (82ft)	10 (33ft)

Anschlussanleitung - Kältemittelleitungen

Schritt 1: Rohre schneiden

Achten Sie bei der Vorbereitung von Kältemittelleitungen besonders darauf, sie richtig zu schneiden und zu erweitern. Dies gewährleistet einen effizienten Betrieb und minimiert den Bedarf an zukünftigen Wartungsarbeiten.

1. Messen Sie den Abstand zwischen der Zuluft- und Außenlufteinheit.
2. Schneiden Sie das Rohr mit einem Rohrschneider etwas länger als den gemessenen Abstand.
3. Stellen Sie sicher, dass das Rohr in einem perfekten Winkel von 90° geschnitten ist.



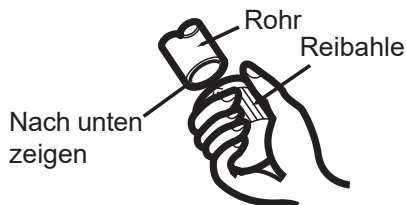
VERFORMEN SIE BEIM SCHNEIDEN DAS ROHR NICHT.

Achten Sie besonders darauf, das Rohr beim Schneiden nicht zu beschädigen, einzudellen oder zu verformen. Dadurch wird der Heizwirkungsgrad des Geräts drastisch reduziert.

Schritt 2: Grate entfernen.

Grate können die luftdichte Abdichtung des Kältemittelleitungsanschlusses beeinträchtigen. Sie müssen vollständig entfernt werden.

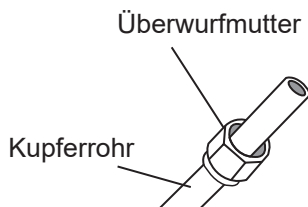
1. Halten Sie das Rohr in einem Winkel nach unten, um zu verhindern, dass Grate in das Rohr fallen.
2. Entfernen Sie mit einer Reibahle oder einem Entgratungswerkzeug alle Grate vom Schnittabschnitt des Rohrs.



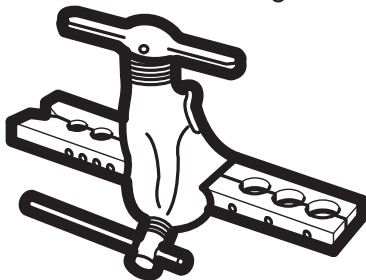
Schritt 3: Rohrenden bördeln

Das richtige Ausdornen ist wichtig, um eine luftdichte Abdichtung zu erreichen.

1. Versiegeln Sie nach dem Entfernen der Grate vom geschnittenen Rohr die Enden mit PVC-Klebeband, um zu verhindern, dass Fremdkörper in das Rohr gelangen.
2. Das Rohr mit Isoliermaterial umhüllen.
3. Setzen Sie Überwurfmuttern auf beide Rohrenden. Stellen Sie sicher, dass sie in die richtige Richtung sind, damit Sie sie nach dem Ausdornen anziehen oder die Richtung ändern können.

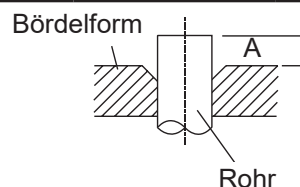


4. Entfernen Sie das PVC-Klebeband von den Rohrenden, wenn Sie bereit sind, Ausdornarbeiten durchzuführen.
5. Bördelform am Rohrende festklemmen. Das Rohrende muss gemäß den in der folgenden Tabelle angegebenen Abmessungen über den Rand der Bördelform hinausragen.



ROHRVERLÄNGERUNG MEHR ALS BÖRDELFORM

Außendurchmesser des Rohres (mm)	A (mm)	
	Min.	Max.
ø6,35 (ø0,25")	0,7 (0,0275")	1,3 (0,05")
ø9,52 (ø0,375")	1,0 (0,04")	1,6 (0,063")
ø12,7 (ø0,5")	1,0 (0,04")	1,8 (0,07")
ø16 (ø0,63")	2,0 (0,078")	2,2 (0,086")
ø19 (ø0,75")	2,0 (0,078")	2,4 (0,094")



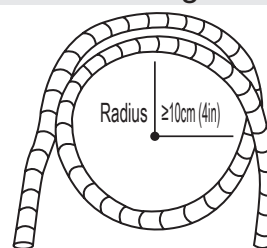
6. Setzen Sie das Bördelwerkzeug auf der Form.
7. Drehen Sie den Griff des Bördelwerkzeugs im Uhrzeigersinn, bis das Rohr vollständig aufgeweitet ist.
8. Entfernen Sie das Bördelwerkzeug und die Bördelform und untersuchen Sie, ob es auf dem Rohrende Risse und oder Bördelung gibt.

Schritt 4: Rohre anschließen

Achten Sie beim Anschließen von Kältemittelleitungen bitte darauf, kein übermäßiges Drehmoment auszuüben oder die Rohrleitungen zu verformen. Sie sollten zuerst das Niederdruckrohr und dann das Hochdruckrohr anschließen.

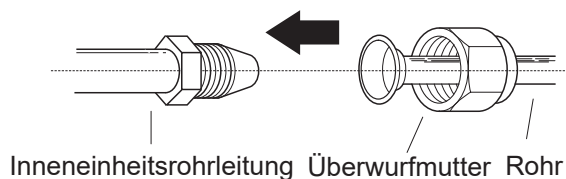
MINIMALER BIEGRADIUS

Beim Biegen von Kältemittelleitungen beträgt der minimale Biegeradius 10 cm.

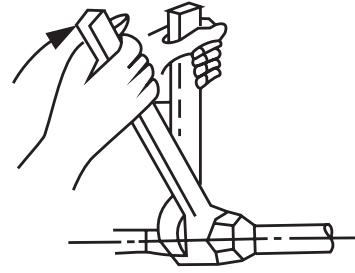


Anweisungen zum Anschließen der Rohrleitungen an die Zuluft Einheit

1. Richten Sie die Mitte der beiden Rohre aus, die Sie verbinden möchten.



- Spannen Sie die Überwurfmutter mit der Hand so fest wie möglich.
- Schrauben Sie die Mutter mit einem Schraubenschlüssel am Geräteschlauch an.
- Ziehen Sie die Überwurfmutter mit einem Drehmomentschlüssel fest, während Sie die Mutter am Geräteschlauch festhalten, und schrauben Sie sie mit den Drehmomentwerten in der folgenden Tabelle nach den Drehmomentanforderungen an. Lösen Sie die Überwurfmutter ein bisschen und ziehen Sie sie wieder fest.



DREHMOMENTANFORDERUNGEN

Außendurchmesser des Rohres (mm)	Anzugsmoment (N · m)	Bördeldimension (B) (mm)	Bördelform
ø6,35 (ø0,25")	18~20 (180~200kgf.cm)	8,4~8,7 (0,33~0,34")	
ø9,52 (ø0,375")	32~39 (320~390kgf.cm)	13,2~13,5 (0,52~0,53")	
ø12,7 (ø0,5")	49~59 (490~590kgf.cm)	16,2~16,5 (0,64~0,65")	
ø16 (ø0,63")	57~71 (570~710kgf.cm)	19,2~19,7 (0,76~0,78")	
ø19 (ø0,75")	67~101 (670~1010kgf.cm)	23,2~23,7 (0,91~0,93")	

⚠ VERWENDEN SIE KEIN ÜBERMÄSSIGES DREHMOMENT

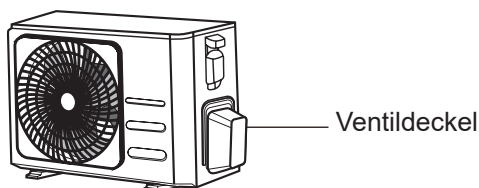
Übermäßige Kraft kann die Mutter brechen oder die Kältemittelleitungen beschädigen. Die in der obigen Tabelle angegebenen Drehmoment darf nicht überschritten werden.

Anweisungen zum Anschließen der Rohrleitungen an die Außenlufteinheit

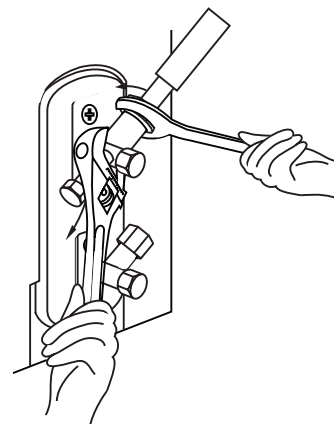
- Schrauben Sie den Deckel vom gepackten Ventil an der Seite der Außenlufteinheit ab.
- Entfernen Sie die Schutzkappen von den Ventilen.
- Richten Sie das aufgeweitete Rohrende an jedem Ventil aus und ziehen Sie die Überwurfmutter mit der Hand so fest wie möglich an.
- Fassen Sie den Ventilkörper mit einem Schraubenschlüssel an. Fassen Sie nicht die Mutter an, die das Serviceventil abdichtet.
- haben. Und ziehen Sie sie mit den richtigen Drehmomentwerten an.
- Lösen Sie die Überwurfmutter ein bisschen und ziehen Sie sie wieder fest.
- Wiederholen Sie die Schritte 3 bis 6 für das verbleibende Rohr.

⚠ Verwenden Sie den Spanner, um den Hauptkörper des Ventils zu greifen

Das Drehmoment beim Anziehen der Überwurfmutter kann andere Teile des Ventils abbrechen.



- Ziehen Sie die Überwurfmutter mit einem Drehmomentschlüssel fest, nachdem Sie den Ventilkörper fest umgeklammert



Luftablass

Vorbereitungen und Vorsichtsmaßnahmen

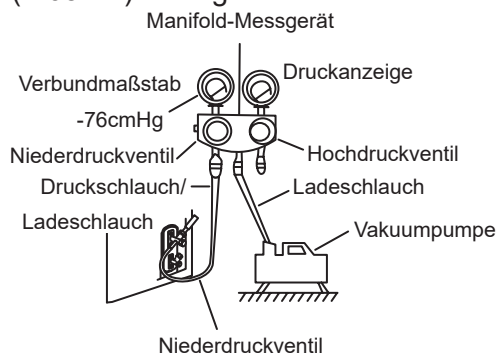
Luft und Fremdkörper im Kältemittelkreislauf können zu abnormalen Druckanstiegen führen, die die Klimaanlage beschädigen, ihren Wirkungsgrad verringern und Verletzungen verursachen können. Verwenden Sie eine Vakuumpumpe und ein Manometer, um den Kältemittelkreislauf zu evakuieren und das nicht-kondensierbare Gas und Feuchtigkeit aus dem System zu entfernen. Die Evakuierung sollte bei der Erstinstallation und bei der Rückstellung des Geräts durchgeführt werden.

VOR DER DURCHFÜHRUNG

- Stellen Sie sicher, dass die Verbindungsleitungen zwischen den Zuluft- und Außenlufteinheit ordnungsgemäß angeschlossen sind.
- Überprüfen Sie, ob alle Kabel richtig angeschlossen sind.

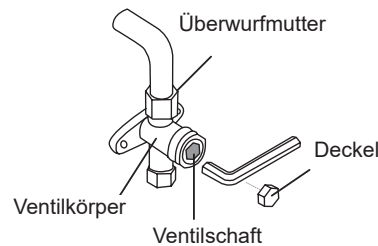
Entlüftungsanweisungen

1. Schließen Sie den Ladeschlauch des Manometers an den Serviceanschluss am Niederdruckventil der Außenlufteinheit an.
2. Schließen Sie den anderen Ladeschlauch vom Verteiler an die Vakuumpumpe an.
3. Machen Sie die Niederdruckseite des Manometers auf. Und die Hochdruckseite ausmachen.
4. Schalten Sie die Vakuumpumpe ein, um das System zu evakuieren.
5. Lassen Sie sie mindestens 15 Minuten lange laufen oder bis das Verbindungsmessgerät -76 cmHG (-105 Pa) anzeigt.



6. Schließen Sie die Niederdruckseite des Manometers und schalten Sie die Vakuumpumpe aus.

7. Warten Sie 5 Minuten und stellen Sie dann sicher, dass sich der Systemdruck nicht geändert hat.
8. Wenn sich der Systemdruck ändert, finden Sie die Informationen als Referenz im Abschnitt Gasleckprüfung zur Überprüfung auf Undichtigkeiten. Wenn sich der Systemdruck nicht ändert, schrauben Sie die Kappe vom gepackten Ventil (Hochdruckventil) ab.
9. Führen Sie den Sechskantschlüssel in das gepackte Ventil (Hochdruckventil) ein und öffnen Sie das Ventil, indem Sie den Schraubenschlüssel um 1/4 gegen den Uhrzeigersinn drehen. Achten Sie darauf, wenn Gas aus dem System austritt, und schließen Sie das Ventil nach 5 Sekunden.
10. Beobachten Sie das Manometer eine Minute lang, um sicherzustellen, dass sich der Druck nicht ändert. Das Manometer sollte etwas höher als der atmosphärische Druck sein.
11. Entfernen Sie den Ladeschlauch vom Serviceanschluss.



12. Öffnen Sie mit einem Sechskantschlüssel das Hochdruck- und Niederdruckventil vollständig.
13. Ziehen Sie die Ventilkappen an allen drei Ventilen (Serviceanschluss, Hochdruck, Niederdruck) mit der Hand fest. Sie können es bei Bedarf mit einem Drehmomentschlüssel weiter festziehen.

! VENTILSCHALTER VORSICHTIG ÖFFNEN

Drehen Sie nach dem Öffnen der Ventilschäfte den Sechskantschlüssel, bis er gegen den Anschlag stößt. Versuchen Sie nicht, das Ventil weiter kräftig zu öffnen.

Hinweis zum Hinzufügen von Kühlmittel

Einige Systeme erfordern je nach Rohrlänge eine zusätzliche Aufladung. Die Standardrohrlänge variiert gemäß den örtlichen Vorschriften. In Nordamerika beträgt die Standardrohrlänge beispielsweise 7,5 m (25').

In anderen Bereichen beträgt die Standardrohrlänge 5 m (16'). Das Kältemittel sollte über den Serviceanschluss am Niederdruckventil des Außenlufteinheit eingefüllt werden. Das zusätzlich zu füllende Kältemittel kann nach folgender Formel berechnet werden:

ZUSÄTZLICHER KÄLTEMITTEL PRO ROHRLÄNGE

Verbindungsrohrlänge (m)	Luftpülmethode	Zusätzliches Kältemittel	
≤ Standardrohrlänge	Vakuumpumpe	N/A	
> Standardrohrlänge	Vakuumpumpe	Flüssige Seite: Ø 6,35 (ø 0,25") R32: (Rohrlänge - Standardlänge) x 12 g/m (Rohrlänge - Standardlänge) x 0,13 oz/ft R290: (Rohrlänge - Standardlänge) x 10g/m (Rohrlänge - Standardlänge) x 0,10 oz/ft R410A: (Rohrlänge - Standardlänge) x 15g/m (Rohrlänge - Standardlänge) x 0,16 oz/ft R22: (Rohrlänge - Standardlänge) x 20g/m (Rohrlänge - Standardlänge) x 0,21 oz/ft	Flüssige Seite: Ø 9,52 (ø 0,375") R32: (Rohrlänge - Standardlänge) x 24g/m (Rohrlänge - Standardlänge) x 0,26 oz/ft R290: (Rohrlänge - Standardlänge) x 18g/m (Rohrlänge - Standardlänge) x 0,19 oz/ft R410A: (Rohrlänge - Standardlänge) x 30g/m (Rohrlänge - Standardlänge) x 0,32 oz/ft R22: (Rohrlänge - Standardlänge) x 40g/m (Rohrlänge - Standardlänge) x 0,42 oz/ft

Für die Kältemiteleinheit R290 beträgt die Gesamtmenge des einzufüllenden Kältemittels nicht mehr als:

387 g (9000 Btu/h und 12000 Btu/h und 18000 Btu/h und ≤ 24000 Btu/h).



VORSICHT

Kältemitteltypen bitte **NICHT** mischen.

Überprüfung auf Elektro- und Gas-Lecks

Vor dem Testlauf

Führen Sie den Testlauf erst durch, nachdem Sie die folgenden Schritte ausgeführt haben:

- **Elektrische Sicherheitsüberprüfungen**
 - Vergewissern Sie sich, dass das elektrische System des Geräts sicher ist und ordnungsgemäß funktioniert.
- **Gasleckprüfung** - Überprüfen Sie alle Anschlüsse der Überwurfmutter und stellen Sie sicher, dass das System nicht undicht ist.
- Stellen Sie sicher, dass die Gas- und Flüssigkeitsventile (Hoch- und Niederdruckventile) vollständig geöffnet sind

Elektrische Sicherheitsprüfungen

Überprüfen Sie nach der Installation, ob alle elektrischen Leitungen gemäß den örtlichen und nationalen Vorschriften und dem Installationshandbuch installiert sind.

VOR DEM TESTLAUF

Die Erdungsarbeiten überprüfen

Messen Sie den Erdungswiderstand durch visuelle Erkennung und mit einem Erdungswiderstandsprüfer. Der Erdungswiderstand muss weniger als $0,1 \Omega$ betragen.

Hinweis: Dies ist für einige Standorte in den USA möglicherweise nicht erforderlich.

WÄHREND DES PROBELAUFES

Den Ableitstromüberprüfen

Verwenden Sie während des Testlaufs eine Elektrosonde und ein Multimeter, um einen umfassenden Ableitstromtest durchzuführen. Wenn ein Ableitstrom festgestellt wird, schalten Sie das Gerät sofort aus und rufen Sie einen zugelassenen Elektriker an, um die Ursache des Ableitstroms zu finden und zu lösen.

Hinweise: Dies ist an einigen Standorten in den USA möglicherweise nicht erforderlich



WARNUNG - RISIKO DES STROMSCHLAGS

ALLE VERKABELUNGEN MÜSSEN DEN LOKALEN UND NATIONALEN ELEKTRISCHEN VORSCHRIFTEN ENTSPRECHEN UND VON EINEM LIZENZIERTEN ELEKTRIKER INSTALLIERT WERDEN.

Gas-Lecksuche

Es gibt zwei verschiedene Methoden, um nach Gaslecks zu suchen.

Seifen- und Wassermethode

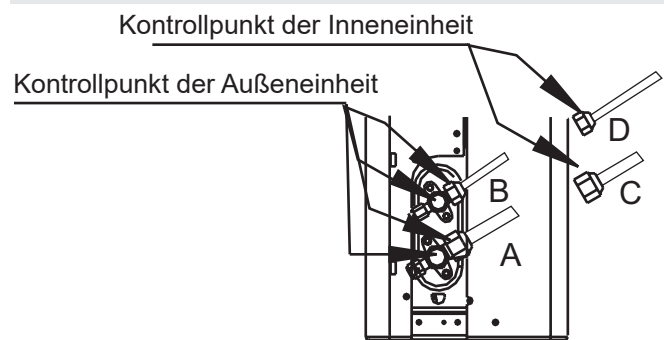
Tragen Sie mit einer weichen Bürste Seifenwasser oder flüssiges Reinigungsmittel auf alle Rohrverbindungspunkte der Zuluft- und des Außenlufteinheit auf. The presence of bubbles indicates a leak.

Lecksuchmethode

Wenn Sie einen Lecksucher verwenden, finden Sie in der Bedienungsanleitung des Geräts Anweisungen zur ordnungsgemäßen Verwendung.

NACH DURCHFÜHRUNG VON GASLECKKONTROLLEN

Nachdem Sie sichergestellt haben, dass alle Rohrverbindungspunkte NICHT lecken, setzen Sie die Ventilabdeckung an der Außenlufteinheit wieder auf.



A: Niederdruck-Absperrventil
B Hochdruck-Absperrventil
C & D: Überwurfmuttern für Zuluftseinheit

Testlauf

Testlaufanweisungen

Der Testlauf sollte mindestens 30 Minuten lange laufen.

- Schließen Sie Stromversorgung der Einheit.
- Drücken Sie die **EIN/AUS**-Taste auf der Fernbedienung, um sie einzuschalten.
- Drücken Sie die **MODUS**-Taste, um nacheinander durch die folgenden Funktionen zu blättern:
 - COOL (KÜHLEN) - Wählen Sie möglichst niedrige Temperatur
 - HEAT (HEIZEN)- Wählen Sie eine möglichst hohe Temperatur
- Lassen Sie jede Funktion 5 Minuten lang laufen und führen Sie die folgenden Überprüfungen durch:

Liste der durchzuführenden Prüfungen	BESTANDEN / NICHT BESTANDEN	
Keine elektrisches Leck		
Gerät ist ordnungsgemäß geerdet		
Alle elektrischen Anschlüsse ordnungsgemäß abgedeckt.		
Die Zuluft- und Außenlufteinheit sind fest installiert.		
Alle Rohrverbindungspunkte lecken nicht.	Außen (2):	Innen (2):
Das Wasser läuft ordnungsgemäß aus dem Ablaufschlauch ab.		
Alle Rohrleitungen sind ordnungsgemäß isoliert.		
Das Gerät führt die KÜHL-Funktion ordnungsgemäß aus.		
Das Gerät führt die WÄRME-Funktion ordnungsgemäß aus.		
Die Luftschlitze der Zuluftseinheit drehen sich ordnungsgemäß.		
Die Außenlufteinheit kann auf Fernbedienung reagieren.		

Rohrverbindungen wurden ZWEIMAL ÜBERPRÜFT

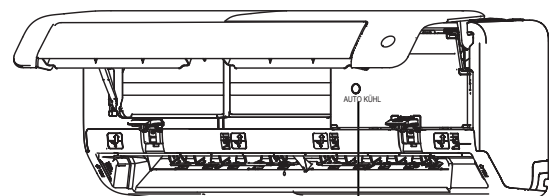
Während des Betriebs steigt der Druck des Kältemittelkreislaufs an. Dies kann zu Undichtigkeiten führen, die bei der ersten Dichtheitsprüfung nicht vorhanden waren. Nehmen Sie sich während des Testlaufs Zeit, um zu überprüfen, ob alle Verbindungspunkte der Kältemittelleitungen keine Undichtigkeiten aufweisen. Anweisungen finden Sie im Abschnitt Gasleckprüfung.

- Gehen Sie wie folgt vor, nachdem der Testlauf erfolgreich abgeschlossen wurde und alle Prüfpunkte die durchzuführenden Prüfungen in der Liste bestanden haben:
 - Stellen Sie das Gerät mit der Fernbedienung auf die normale Betriebstemperatur zurück.
 - Wickeln Sie die Kältemittelleitungen in der Zuluftseinheit, die Sie während der Installation der Zuluftseinheit unbedeckt gelassen haben, mit Isolierband um.

WENN DIE UMGEBUNGSTEMPERATUR UNTER 17 °C (62°F) LIEGT

Mit der Fernbedienung können Sie die KÜHL-Funktion nicht einschalten, wenn die Umgebungstemperatur unter 16°C liegt. In diesem Fall können Sie die KÜHL -Funktion mit der Taste MANUELLE KONTROLLE L testen.

- Die Taste MANUELLE KONTROLLE L befindet sich auf der rechten Seite des Geräts.
- Drücken Sie die Taste zweimal, um die KÜHL -Funktion auszuwählen.
- Führen Sie den Testlauf wie gewohnt durch.



Manual Control (Manuelle Bedienung)-Taste

Einpacken und Auspacken des Geräts

Anweisungen zum Verpacken und Auspacken des Geräts:

Auspacken:

Inneneinheit:

1. Schneiden Sie das Klebeband auf dem Karton mit einem Messer durch, einmal links, einmal in der Mitte und einmal rechts.
2. Verwenden Sie den Schraubstock, um die Verschlussnägeln an der Oberseite des Kartons zu entfernen.
3. Öffnen Sie den Karton.
4. Nehmen Sie die mittlere Stützplatte heraus, falls sie vorhanden ist.
5. Nehmen Sie das Zubehörpaket heraus und entfernen Sie das Verbindungskabel, falls es enthalten ist.
6. Nehmen Sie das Gerät aus dem Karton und legen Sie es flach hin.
7. Entfernen Sie den linken und rechten Verpackungsschaum oder den oberen und unteren Verpackungsschaum, lösen Sie den Verpackungsbeutel.

Außeneinheit

1. Schneiden Sie das Verpackungsband durch.
2. Nehmen Sie das Gerät aus dem Karton.
3. Entfernen Sie den Schaumstoff aus dem Gerät.
4. Entfernen Sie den Verpackungsbeutel aus dem Gerät.

Verpacken:

Inneneinheit:

1. Legen Sie das Innengerät in den Verpackungsbeutel.
2. Bringen Sie den linken und rechten Verpackungsschaum oder den oberen und unteren Verpackungsschaum am Gerät an.
3. Legen Sie das Gerät in den Karton und dann das Zubehörpaket hinein.
4. Verschließen Sie den Karton und versiegeln Sie ihn mit dem Klebeband.
5. Verwenden Sie gegebenenfalls das Verpackungsband.

Außeneinheit:

1. Legen Sie das Außengerät in den Verpackungsbeutel.
2. Legen Sie den unteren Schaumstoff in den Karton.
3. Legen Sie das Gerät in den Karton und stülpen Sie dann den oberen Verpackungsschaum über das Gerät.
4. Schließen Sie den Karton und versiegeln Sie ihn mit dem Klebeband.
5. Verwenden Sie ggf. den Packgurt.

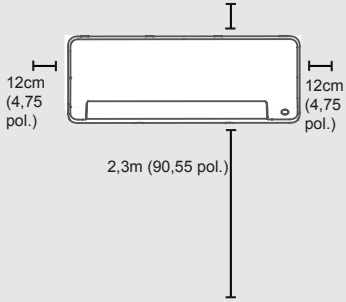
HINWEIS: Bitte bewahren Sie alle Verpackungsmaterialien auf, falls Sie sie in Zukunft benötigen.

Manual de Instalação

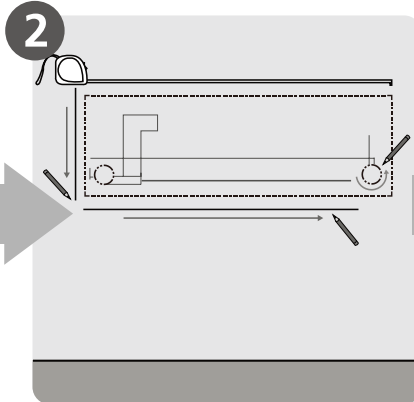
Acessórios	17
Resumo da Instalação - Unidade Interior.....	18
Peças do Aparelho	19
Instalação da Unidade Interior	20
1. Selecione o local da instalação	20
2. Fixe a placa de montagem na parede.....	20
3. Perfurar o furo da parede para a tubagem de ligação	21
4. Prepare a tubagem de refrigerante	22
5. Conecte a mangueira de drenagem.....	24
6. Ligue os cabos de sinal e de alimentação.....	25
7. Envolve a tubagem e os cabos	26
8. Monte a unidade interior.....	27
Instalação de unidades exterior.....	27
1. Selecionar Local de Instalação.....	27
2. Instalar Junta de Drenagem	28
3. Ancorar unidade exterior	28
4. Ligue os cabos de sinal e de alimentação.....	30
Conexão da Tubagem de Refrigerante	31
A. Nota sobre Comprimento do Tubo.....	31
B. Instruções de ligação - Tubagem de Refrigerante	31
1. Cortar tubos.....	31
2. Remoção de rebarbas	32
3. Extremidades do tubo de alargamento.....	32
4. Conectar tubos	32
Evacuação de Ar.....	34
1. Instruções de Evacuação	34
2. Nota sobre a Adição de Refrigerante	35
Verificações de Fugas de Gás e Eletricidade	36
Teste de Execução	37
Embalar e desembalar a unidade.....	38

Resumo da Instalação - Unidade Interior

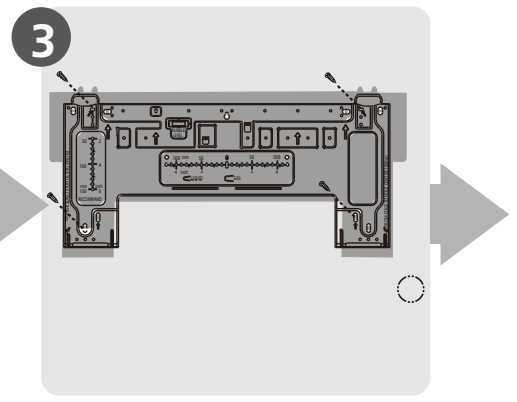
1 A distância do teto depende do método de instalação.



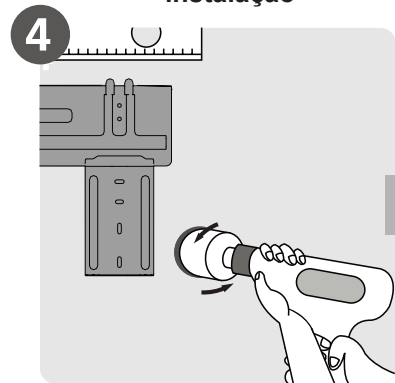
Selecione o local da instalação



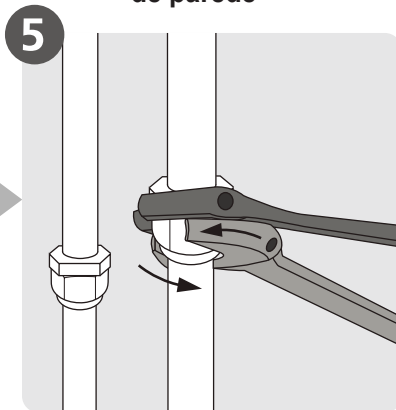
Determinar a posição do furo de parede



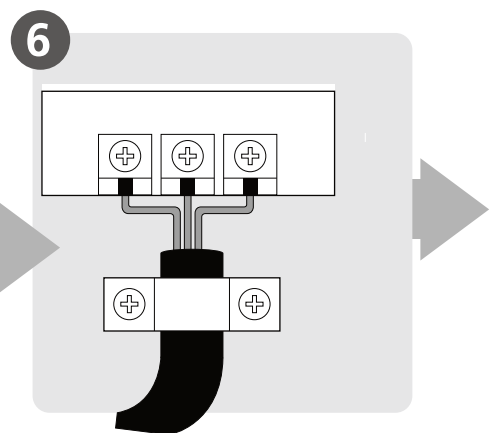
Fixar Placa de Montagem



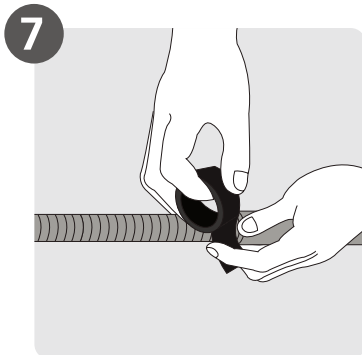
Furo de Parede de Furação



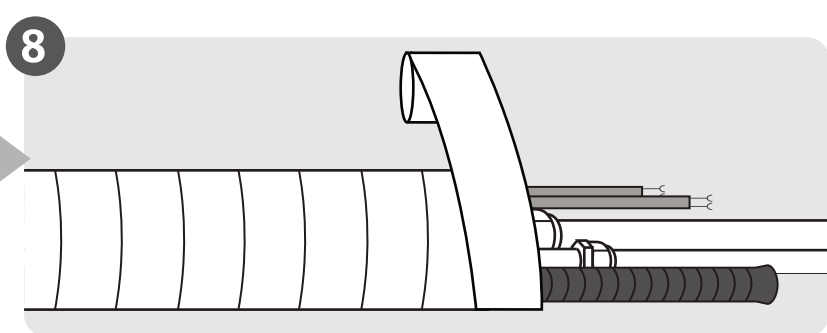
Ligue a tubagem



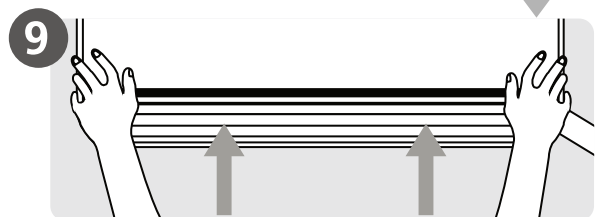
Conecte a fiação
(não é aplicável para alguns locais na América do Norte)



Prepare a mangueira de drenagem



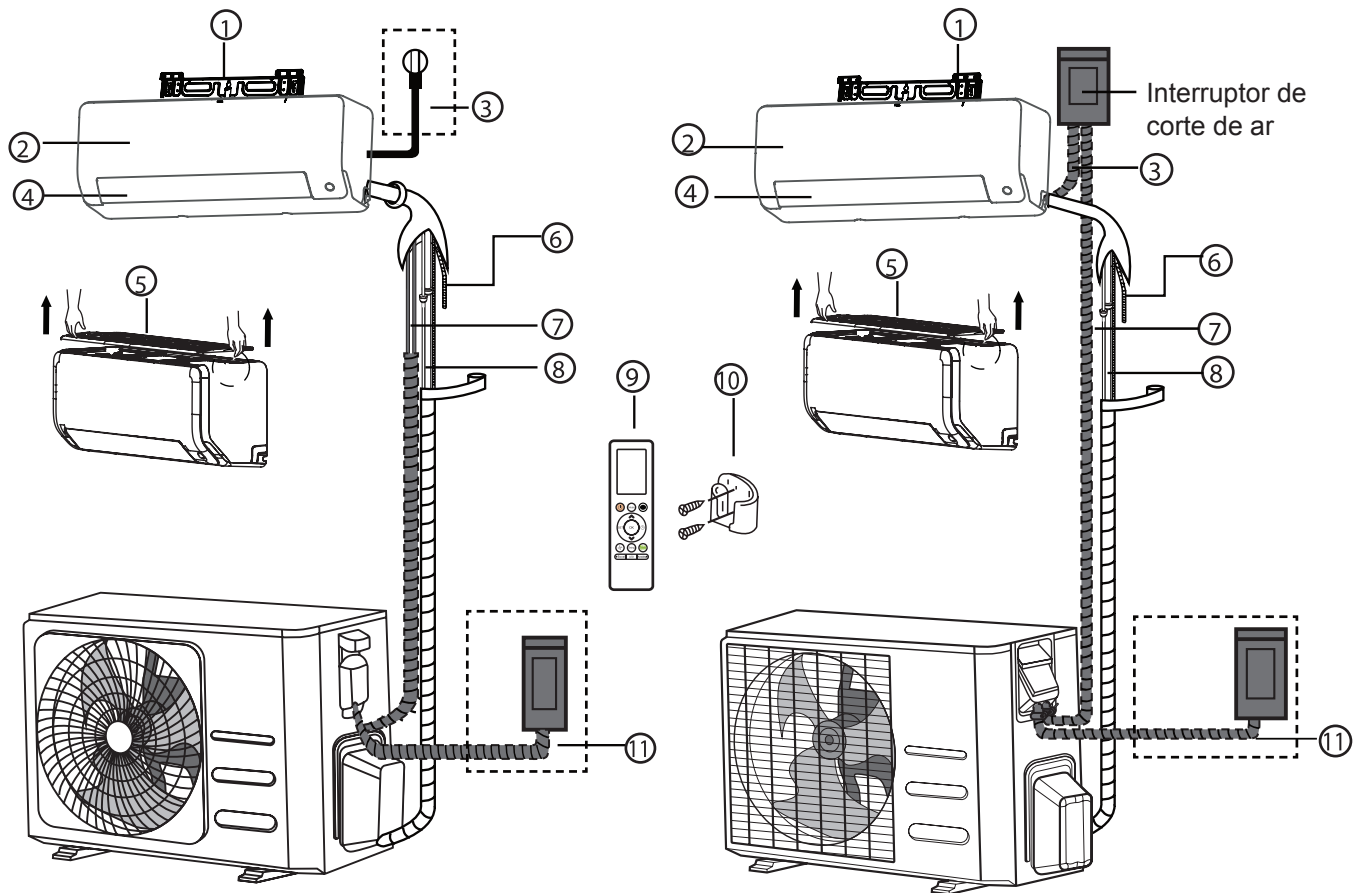
Enrolamento da tubagem e dos cabos.
(não é aplicável para alguns locais na América do Norte)



Montar unidade interior

Peças do Aparelho

NOTA: A instalação deve estar de acordo com os padrões locais e nacionais. A instalação pode diferir ligeiramente em diferentes regiões.



(1)

(2)

- ① Placa de montagem na parede
- ② Painel Frontal
- ③ Cabo de alimentação (algumas unidades)
- ④ Obturador

- ⑤ Filtro de ar (retire-o)
- ⑥ Tubo de drenagem
- ⑦ Cabo de sinal
- ⑧ Tubulação de refrigerante

- ⑨ Controle Remoto
- ⑩ Suporte de Controle Remoto (algumas unidades)
- ⑪ Cabo de alimentação da unidade exterior (Algumas unidades)

NOTA SOBRE ILUSTRAÇÕES

As ilustrações neste manual são para fins explicativos. O formato atual da sua unidade interna pode ser ligeiramente diferente. O formato atual deve prevalecer.

Instalação da Unidade Interior

Instruções de Instalação – Unidade em casa

ANTES DA INSTALAÇÃO

Antes de instalar a unidade interior, consulte a etiqueta na caixa do produto para se certificar de que o número do modelo da unidade interior corresponde ao número do modelo da unidade exterior.

Passo 1: Selecione o local da instalação

Antes de instalar a unidade interior, deve escolher um local apropriado. A seguir, são apresentados padrões que o ajudarão a escolher um local apropriado para a unidade.

Os locais de instalação adequados atendem aos seguintes padrões:

- Boa circulação de ar
- Drenagem conveniente
- O ruído desta unidade não perturba outros
- Firme e sólido - o local não irá vibrar
- Forte o suficiente para suportar o peso do aparelho
- Pelo menos um metro de todos os outros equipamentos elétricos (tais como TV, rádio, computador)

NÃO instale a unidade nos seguintes locais:

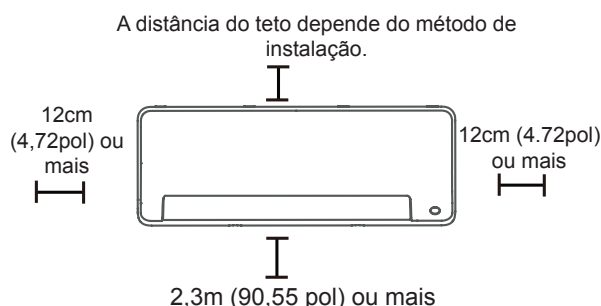
- Perto de qualquer fonte de calor, vapor ou gás combustível
- Perto de itens inflamáveis, como cortinas ou roupas
- Perto de qualquer obstáculo que possa bloquear a circulação de ar
- Perto de uma entrada
- Num local exposto a luz solar direta

NOTA SOBRE O BURACO DA PAREDE:

Se não houver tubagem de refrigerante fixa:

Ao escolher um local, observe que deve haver espaço suficiente no orifício da parede (consulte o procedimento de **perfuração do orifício de conexão de tubo na parede**) para os cabos de sinal e o tubo de refrigerante que conectam as unidades interior e exterior. A posição padrão para toda a tubagem é o lado direito da unidade interna (estando de frente para a unidade). No entanto, a unidade pode acomodar tubagens à esquerda e à direita.

Consulte o diagrama seguinte para garantir a distância adequada das paredes e teto:



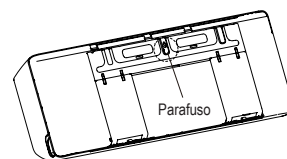
NOTA:

- **Se não for necessário o suporte traseiro para suportar a unidade:**
Finalize as conexões de tubo e cabo antes de instalar a unidade interior na parede. Se a altura da instalação for limitada, é permitido 5 cm do teto, mas isso pode diminuir o desempenho do produto. Para garantir espaço suficiente para instalar e remover o filtro de ar superior, mantenha pelo menos 10 cm ou mais do teto.
- **For necessário o suporte traseiro para suportar a unidade:**
Se conectar tubo e cabo com o painel frontal aberto, a distância mínima do teto é 22 cm ou mais, se conectar tubo e cabo sem painel frontal (a ser removido), a distância mínima do teto é 11 cm ou mais.

Passo 2: Fixe a placa de montagem na parede

A placa de montagem é o dispositivo no qual você irá montar a unidade interna.

- Remova o parafuso que prende a placa de montagem à parte traseira da unidade interna.



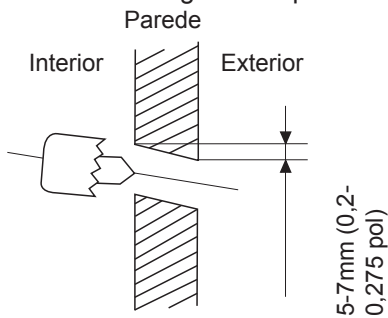
- Fixe a placa de montagem na parede com os parafusos fornecidos. Certifique-se de que a placa de montagem é plana contra a parede.

NOTA PARA PAREDES DE CONCRETO OU DE TIJOLOS:

Se a parede for feita de tijolo, concreto ou material similar, faça furos de 5 mm de diâmetro (0,2 polegadas de diâmetro) na parede e insira as buchas fornecidas. Em seguida, fixe a placa de montagem à parede apertando os parafusos diretamente nas buchas de fixação.

Passo 3: Perfurar o furo da parede para a tubagem de ligação.

1. Determine a posição do furo da parede de acordo com a posição da placa de montagem. Consulte **Dimensões da Placa de Montagem**.
2. Ao utilizar uma broca de núcleo de 65 mm (2,5 pol.) ou 90 mm (3,54 pol.) (dependendo dos modelos), faça um orifício na parede. Certifique-se de que o orifício é perfurado com um ligeiro ângulo descendente, para que a extremidade exterior do orifício seja inferior à extremidade interior em cerca de 5mm a 7mm (0,2-0,275 pol.). Isto assegurará uma drenagem adequada da água.



NOTA: Quando o tubo de conexão do lado de gás for $\Phi 16$ mm (5/8 pol.) ou mais, o orifício da parede deve ser 90 mm (3,54 pol.).

3. Coloque a manga de parede protetora no buraco. Isto irá proteger as extremidades do furo e irá ajudar a vedá-lo quando concluir o processo de instalação.

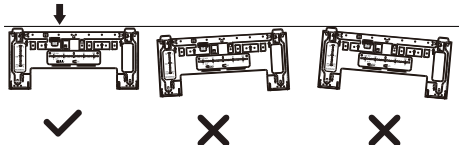
! CUIDADO

Ao perfurar o orifício da parede, certifique-se de que evita fios, canalizações e outros componentes sensíveis.

DIMENSÕES DA PLACA DE MONTAGEM

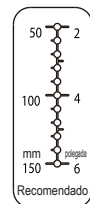
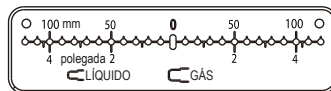
Diferentes modelos têm diferentes placas de montagem. Para facilitar a instalação, é fornecido um nível de bolha com escala na placa de montagem. Instale a placa e faça o orifício na parede de acordo com as informações da placa de montagem. Veja as figuras abaixo.

Orientação correta da placa de montagem



Unidade: mm (polegadas)

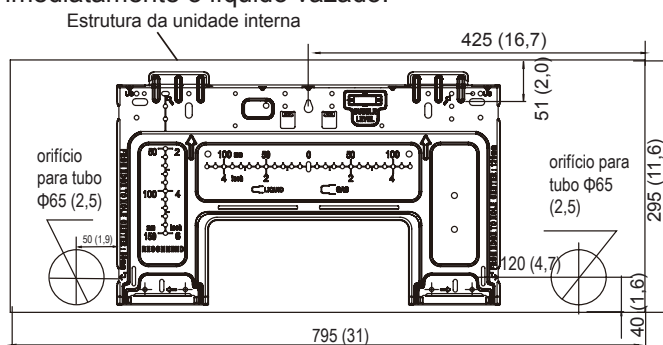
Régua de direção horizontal



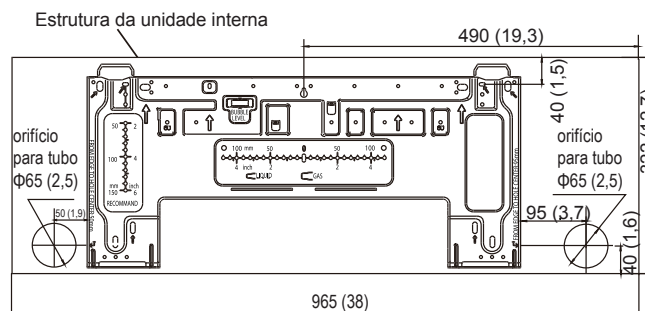
Régua de direção vertical



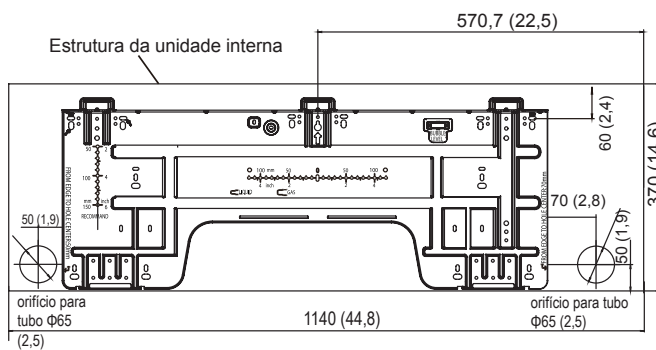
CUIDADO: O nível de bolha na placa de montagem não pode ser removido. Se estiver quebrado, limpe imediatamente o líquido vazado.



Modelo A



Modelo B



Modelo C

Instalação de Aparelhos Internos

Passo 4: Prepare a tubagem de refrigerante.

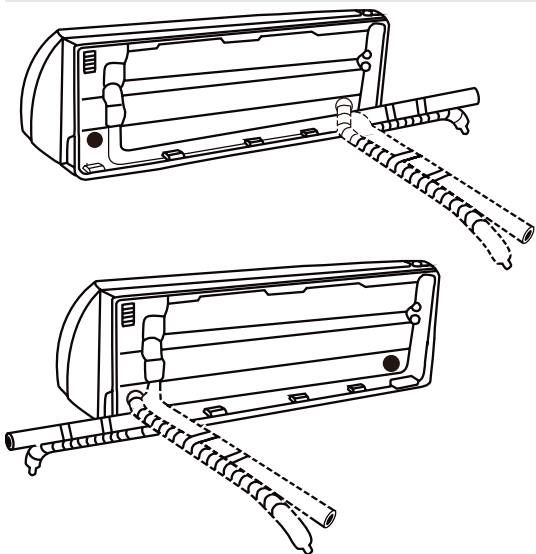
A tubulação de refrigerante está dentro de uma manga isolante presa na parte de trás da unidade. Você deve preparar a tubulação antes de passá-la através do orifício na parede. Consulte a secção **Conexão de Tubulação de Refrigerante** deste manual para obter descrições detalhadas sobre requisitos técnicos de ampliação e torque de ampliação, técnica, etc.

NOTA SOBRE O ÂNGULO DA TUBAGEM

O tubo de refrigerante pode sair da unidade interior a quatro ângulos diferentes:

- Lado esquerdo
- Traseira esquerda
- Lado direito
- Traseira direita

Para mais informações, consulte as **figuras abaixo**.



NOTAS SOBRE CONEXÃO DE TUBULAÇÃO

- Em algumas áreas dos Estados Unidos, conduíte deve ser usado para conectar cabos. Para garantir que haja espaço suficiente para os tubos e que a máquina fique próxima à parede após a instalação, é recomendável conectar a mangueira de drenagem à direita (quando está de frente para a parte traseira da unidade).
- Quando escolher o tubo do lado esquerdo ou do lado direito, verifique se os tubos saem horizontalmente para não afetar a instalação do painel inferior.

CUIDADO

Tenha muito cuidado para não amassar ou danificar a tubulação ao dobrá-la para longe da unidade. Quaisquer amolgadelas na tubulação afetarão o desempenho da unidade.

Se não houver tubo de refrigerante embutido na parede, faça o seguinte:

Passo 1: Pendure a unidade interior na placa de montagem:

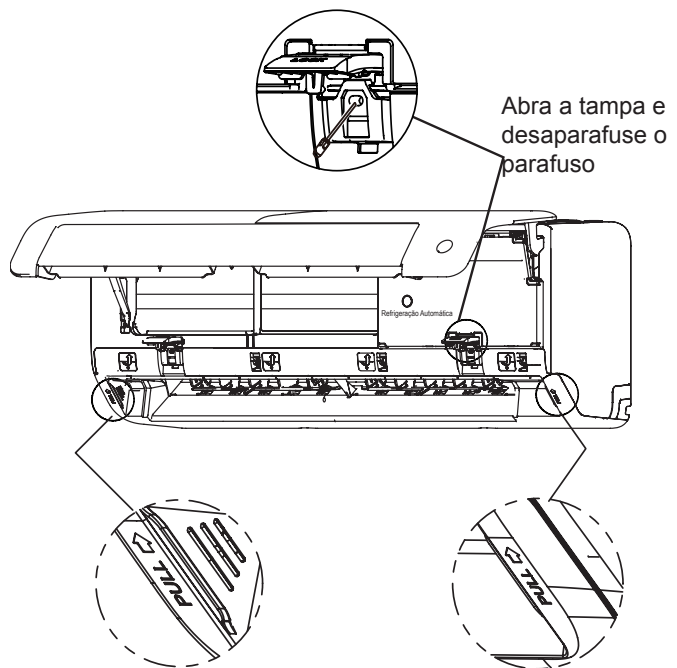
1. Tenha em mente que os ganchos na placa de montagem são menores do que os orifícios na parte de trás da unidade. Se achar que não tem espaço suficiente para ligar tubos embutidos à unidade interior, a unidade pode ser ajustada para a esquerda ou direita em cerca de 30-50 mm (1,18-1,95 pol.), dependendo do modelo.



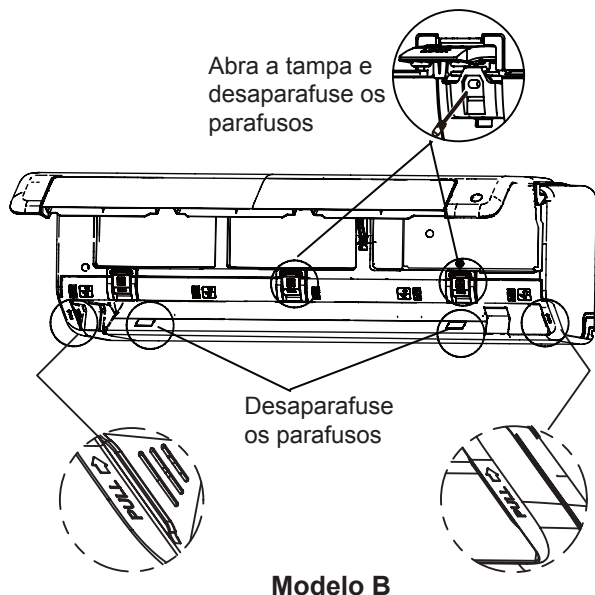
Mover para a esquerda ou para a direita

Passo 2: Prepare a tubagem de refrigerante.

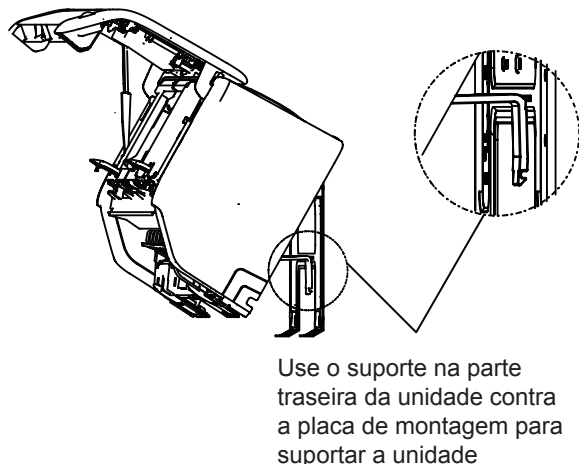
1. Abra e fixe o painel e, em seguida, abra as tampas dos dois blocos de trava, desaparafuse o parafuso mostrado na figura abaixo e, em seguida, mantenha os dois lados do painel inferior na posição marcada com "PUXAR" e puxe-o para cima para liberar as fivelas e, em seguida, abaixe o painel inferior.



Modelo A



2. Use o suporte na parte traseira da unidade para suportar a unidade, oferecendo espaço suficiente para conectar o tubo de refrigerante, o cabo de sinal e a mangueira de drenagem.



Passo 3. Conecte a mangueira de drenagem e o tubo de refrigerante (consulte a seção Conexão de Tubulação de Refrigerante deste manual para obter detalhes).

Passo 4. Mantenha o ponto de conexão do tubo exposto para realizar o teste de vazamento (consulte a seção Verificações Elétricas e de Vazamento deste manual).

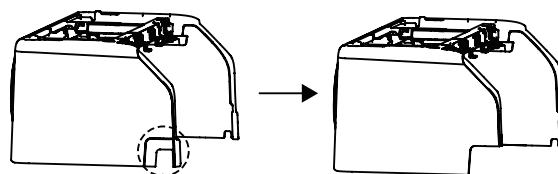
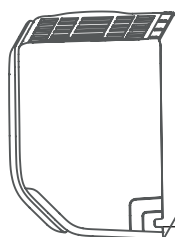
Passo 5. Após o teste de vazamento, envolva o ponto de conexão com fita isolante.

Passo 6. Retire o suporte ou a cunha que apoia a unidade interior.

Passo 7. Utilizando pressão uniforme, empurre para baixo a metade inferior da unidade. Continue a pressionar para baixo até a unidade encaixar nos ganchos ao longo da parte inferior da placa de montagem.

Se não houver tubo de refrigerante embutido na parede, faça o seguinte:

1. Com base na posição do orifício da parede em relação à placa de montagem, escolha o lado a partir do qual a tubagem sairá da unidade.
2. Se o orifício da parede estiver atrás da unidade, mantenha o painel de encaixe no lugar. Se o orifício na parede estiver ao lado da unidade interior, remova o painel de plástico de saída desse lado da unidade. (Veja a figura abaixo). Isto irá criar uma ranhura através da qual a sua tubagem pode sair da unidade. Use um alicate de pontas de agulha se o painel de plástico for muito difícil de remover manualmente.



Se for necessário cortar o painel de plástico grande, corte como mostrado acima.

3. Use uma tesoura para reduzir o comprimento da luva isoladora para revelar cerca de 40 mm (1,57 pol.) do tubo tubulação de refrigerante. Isso serve a dois propósitos:
 - Para facilitar a operação de conexão do tubo de refrigerante.
 - Para facilitar a verificação de vazamento de gás e permitir a verificação de amassados
4. Use o suporte na parte traseira da unidade para suportar a unidade, oferecendo espaço suficiente para conectar o tubo de refrigerante, o cabo de sinal e a mangueira de drenagem.
5. Conecte o tubo de refrigerante da unidade interior ao tubo de conexão que unirá as unidades interior e exterior. Consulte a seção **Conexão de Tubulação de Refrigerante** deste manual para obter detalhes.
6. Determine o ângulo do tubo com base na posição do orifício da parede em relação à placa de montagem.
7. Segure o tubo de refrigerante na base da dobra.
8. Dobre lentamente o tubo em direção ao orifício com força uniforme. **Não** amasse ou danifique o tubo durante o processo.

Passo 5: Conecte a mangueira de drenagem

Por predefinição, a mangueira de drenagem está ligada ao lado esquerdo da unidade (quando está de frente para a parte de trás da unidade). No entanto, também pode ser ligada ao lado direito. Para garantir uma drenagem adequada, ligue a mangueira de drenagem no mesmo lado em que a tubagem de refrigerante sai da unidade.

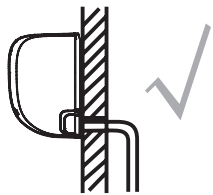
NOTA: Em algumas localizações dos EUA, se a máquina tiver instalado o painel de condutas, por favor, escolha a drenagem do lado direito.

- Enrole o ponto de ligação firmemente com fita de teflon para garantir uma boa vedação e evitar vazamentos.
- Remova o filtro de ar e despeje uma pequena quantidade de água na bandeja de drenagem para garantir que a água flua da unidade sem problemas.

! NOTA: LOCALIZAÇÃO DA MANGUEIRA

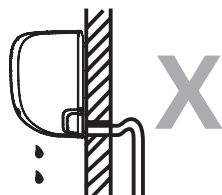
Certifique-se de organizar a mangueira de drenagem de acordo com as figuras a seguir.

- ⊗ **NÃO** torça a mangueira de drenagem.
- ⊗ **NÃO** crie um sifão de garrafa.
- ⊗ **NÃO** coloque a extremidade da mangueira de drenagem na água ou em um recipiente que possa coletar água.



CORRETO

Confirme que não há dobras ou amassados na mangueira de drenagem para garantir a drenagem adequada.



INCORRETO

As dobras na mangueira de drenagem criarão separadores de água.



INCORRETO

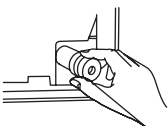
As dobras na mangueira de drenagem criarão separadores de água.



INCORRETO

Não coloque a extremidade da mangueira de drenagem em um recipiente com água ou água. Isso impedirá a drenagem adequada.

PLUGUE O FURO DE DRENAGEM NÃO UTILIZADO



Para evitar fugas indesejadas, deve tapar o orifício de drenagem não utilizado com o tampão de borracha fornecido.

! ANTES DE REALIZAR QUALQUER TRABALHO ELÉTRICO, LEIA ESTES REGULAMENTOS

1. Toda a fiação deve estar em conformidade com os códigos e regulamentos elétricos locais e nacionais e deve ser instalada por um electricista licenciado.
2. 2. Todas as ligações elétricas devem ser feitas de acordo com o diagrama de ligação elétrica situado nos painéis das unidades interior e exterior.
3. Se houver um problema sério de segurança com a fonte de alimentação, interrompa o trabalho imediatamente. Explique o seu raciocínio ao cliente e recuse a instalação da unidade até que o problema de segurança seja devidamente resolvido.
4. A tensão de alimentação deve estar entre 90-110% da tensão nominal. Uma fonte de alimentação insuficiente pode causar mau funcionamento, choque elétrico ou incêndio.
5. Se ligar energia à cablagem fixa, deve ser instalado um protector contra sobretensões e um interruptor principal de energia.
6. Se conectar a alimentação à fiação fixa, um interruptor ou disjuntor que desconecte todos os pólos e tenha uma separação de contato de pelo menos 1/8in (3mm) deve ser incorporado à fiação fixa. O técnico qualificado deve utilizar um disjuntor ou interruptor aprovado.
7. Conecte a unidade apenas a uma tomada de circuito de derivação individual. Não ligue outro aparelho a essa tomada.
8. Certifique-se de aterrar corretamente o ar condicionado.
9. Todos os fios devem estar firmemente ligados. Um cabo solto pode originar sobreaquecimento e resultar num possível incêndio.
10. Não deixe os fios tocarem ou apoiarem-se nos tubos de refrigerante, no compressor ou em quaisquer peças móveis dentro da unidade.
11. Se a unidade tiver um aquecedor elétrico auxiliar, ele deve ser instalado a pelo menos 1 metro (40 pol.) de distância de quaisquer materiais combustíveis.
12. Para evitar um choque elétrico, nunca toque nos componentes elétricos logo após a fonte de alimentação ter sido desligada. Depois de desligar a alimentação, aguarde sempre 10 minutos ou mais antes de tocar nos componentes elétricos.

! AVISO

ANTES DE EXECUTAR QUALQUER TRABALHO ELÉTRICO OU DE CABLAGEM, DESLIGUE A FONTE DE ALIMENTAÇÃO PRINCIPAL DO SISTEMA.

Passo 6: Ligue os cabos de sinal e de alimentação.

O cabo de sinal permite a comunicação entre as unidades interior e exterior. Primeiro deverá escolher o tamanho correto do cabo antes de o preparar para a conexão.

Tipos de cabos

- **Cabo de Alimentação em Casa** (se aplicável): H05VV-F ou H05V2V2-F
 - **Cabo de alimentação exterior:** H07RN-F ou H05RN-F
 - **Cabo de Sinal:** H07RN-F
- NOTA:** Na América do Norte, escolha o tipo de cabo de acordo com os códigos e regulamentos eléctricos locais.

Área Mínima Transversal de Cabos de Energia e Sinal (Para referência) (Não aplicável para a América do Norte)

Corrente Nominal de Aparelho (A)	Área de secção transversal nominal (mm ²)
> 3 e ≤	0,75
> 6 e ≤ 1	1
> 10 e ≤ 1	1,5
> 16 e ≤ 2	2,5
> 25 e ≤ 3	4
> 32 e ≤ 4	6

ESCOLHA O TAMANHO CERTO DO CABO

O tamanho do cabo de alimentação, cabo de sinal, fusível e interruptor necessários é determinado pela corrente máxima da unidade. A corrente máxima é indicada na placa de identificação localizada no painel lateral da unidade. Consulte esta placa de identificação para escolher o cabo, fusível ou interruptor certo.

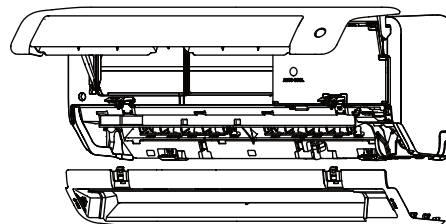
NOTA: Na América do Norte, por favor, escolha o tamanho correto do cabo de acordo com Ampacidade Mínima do Circuito indicada na placa de identificação da unidade.

1. Abra e fixe a posição do painel, depois, abra as tampas dos dois blocos de fecho, desaperte o parafuso, depois segure ambos os lados do painel inferior no local marcado "PULL", puxe-o para cima para libertar as fivelas, depois retire o painel inferior (consulte a Página 22-23).
2. Abra a tampa da caixa de fiação para conectar o cabo.
3. Desaparafuse a braçadeira de cabos abaixo do bloco de terminais e coloque-a ao lado.
4. De frente para a parte traseira da unidade, remova o painel de plástico no lado inferior esquerdo.

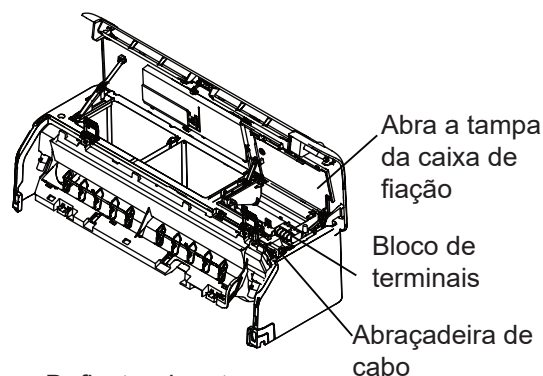
AVISO

TODO O TRABALHO DE CABLAGEM DEVE SE EXECUTADO DE FORMA RÍGIDA DE ACORDO COM O DIAGRAMA DE CABLAGEM LOCALIZADO NA PARTE TRASEIRA DO PAINEL FRONTAL DA UNIDADE INTERIOR.

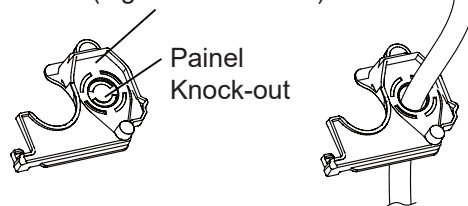
5. Passe o fio de sinal através desta ranhura, da parte de trás da unidade para a frente.
6. De frente para a frente da unidade, ligue o fio de acordo com o diagrama de ligações da unidade interior, ligue a ficha em U e aparafuse firmemente cada fio ao seu terminal correspondente.



Primeiro abra o painel frontal e remova o painel inferior.



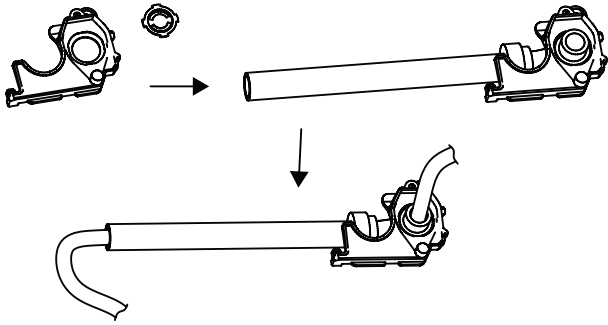
Deflector de ratazanas (algumas unidades)



NOTA: Se o tamanho do cabo for demasiado grande, remover o pequeno painel de plástico de meio para criar uma ranhura através da qual o cabo possa sair. Se quiser remover o chassi ou a mangueira de drenagem, por favor remova primeiro o deflector de ratazanas.

Na América do Norte

Primeiro remova o painel de knock-out para criar uma ranhura através do tubo condutor que pode ser instalado. Em seguida, faça o cabo através do tubo condutor e ligue à unidade interior.



! CUIDADO

NÃO MISTURE CABOS AO VIVO E NULOS

Isto é perigoso e pode causar o mau funcionamento da unidade de ar condicionado.

- Depois de verificar se todas as ligações estão bem fixas, utilize o grampo do cabo para fixar o cabo de sinal à unidade. Aparafuse bem a braçadeira de cabos.
- Recoloque a tampa do fio na parte frontal da unidade e o painel de plástico na parte traseira.

! NOTA SOBRE A CABLAGEM

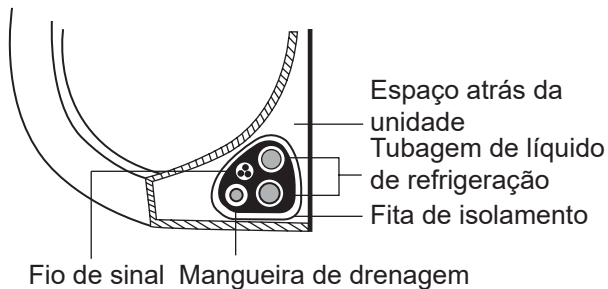
O PROCESSO DE CONEXÃO DA FIAÇÃO PODE DIFERIR UM POUCO ENTRE UNIDADES E REGIÕES.

Passo 7: Envolver a tubagem e os cabos.

Antes de passar o tubo, a mangueira de drenagem e o cabo de sinal pelo orifício da parede, eles devem ser agrupados para economizar espaço para protegê-los e isolá-los (isso pode não se aplicar em algumas áreas dos Estados Unidos).

- Agrupe a mangueira de drenagem, os tubos de refrigerante e o cabo de sinal como mostrado abaixo:

Unidade interior



MANGUEIRA DE DRENAGEM DEVE ESTAR NO FUNDO

Certifique-se de que a mangueira de drenagem está na parte inferior do feixe. Colocar a mangueira de drenagem na parte superior do feixe pode fazer com que o recipiente de drenagem transborde, o que pode causar incêndio ou danos por água.

NÃO ENTRETEENHA O CABO DE SINAL COM OUTROS FIOS

Ao agrupar esses itens, não entrelace ou cruze o cabo de sinal com qualquer outro cabo.

- Conecte a mangueira de drenagem na parte inferior do tubo de refrigerante com fita de vinil.
- Aperte os fios de sinal, os tubos de refrigerante e a mangueira de drenagem com fita isolante. Verifique novamente se tudo está amarrado.

NÃO ENROLE AS EXTREMIDADES DA TUBULAÇÃO

Ao embrulhar o pacote, mantenha as extremidades da tubulação desembrulhadas. No final do processo de instalação, você precisa testá-los quanto a vazamentos (consulte a seção **Verificações elétricas e de vazamento** deste manual).

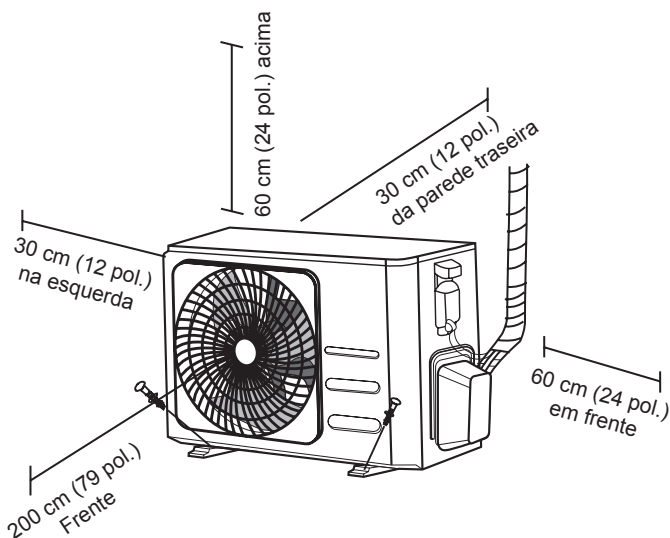
Passo 8: Monte a unidade interior.

Se instalou novas tubagens de ligação à unidade exterior, faça o seguinte:

- Se você passou o tubo de refrigerante através do furo na parede, continue no passo 4.
- Caso contrário, verifique cuidadosamente se a extremidade do tubo de refrigerante está vedada para impedir que poeira ou objetos estranhos entrem no tubo.
- Passo o pacote do tubo de refrigerante embrulhados, a mangueira de drenagem e o fio de sinal lentamente pelo furo de parede.
- Engate a parte superior da unidade interior no gancho superior da placa de montagem.
- Aplique uma leve pressão nos lados esquerdo e direito da unidade para verificar se ela está firmemente pendurada na instalação. A unidade não deve balançar ou mudar.
- Utilizando pressão uniforme, empurre para baixo a metade inferior da unidade. Continue a empurrar para baixo até que a unidade se encaixe no gancho na parte inferior da placa de montagem.
- Verifique novamente se a unidade está instalada com segurança por aplicar uma leve pressão nos lados esquerdo e direito da unidade.

Instalação da Unidade Exterior

Instale a unidade seguindo os códigos e regulamentos locais; pode haver diferenças um pouco entre as diferentes regiões.



Instruções de Instalação – Unidade exterior

Passo 1: Selecionar Local de Instalação

Antes de instalar a unidade exterior, deve escolher um local adequado. A seguir, são apresentados padrões que o ajudarão a escolher um local apropriado para a unidade.

Os locais de instalação adequados atendem aos seguintes padrões:

- Atenda a todos os requisitos de espaço mostrados em "Requisitos de espaço de instalação" acima.
- Boa circulação e ventilação de ar
- Firme e sólido—o local pode suportar a unidade e não vibrará
- O barulho da unidade não perturbará outras pessoas
- Evite luz solar direta ou chuva prolongada
- Quando se prevê a queda de neve, tome as medidas adequadas para evitar a acumulação de gelo e danos nas bobinas.

NÃO instale a unidade nos seguintes locais:

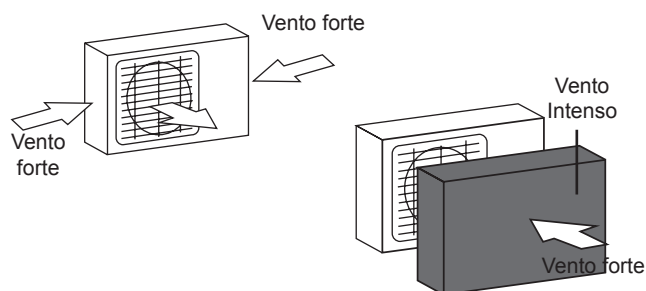
- ⊘ Perto de um obstáculo que irá bloquear as entradas e saídas de ar
- ⊘ Perto de ruas públicas, lugares lotados ou locais onde o ruído desta unidade pode interferir com outras pessoas
- ⊘ Abordar animais ou plantas que podem ser prejudicados por emissões de ar quente
- ⊘ Perto de qualquer fonte de gás combustível
- ⊘ Em um local exposto a grandes quantidades de poeira
- ⊘ Em um local exposto a quantidades excessivas de ar salgado

CONSIDERAÇÕES ESPECIAIS PARA O CLIMA EXTREMO

Se a unidade estiver exposta a ventos fortes:

Instale a unidade de modo a que a ventoinha de saída de ar esteja num ângulo de 90° em relação à direcção do vento. Se necessário, equipe uma barreira em frente da unidade para protegê-la dos ventos fortes.

Consulte as figuras abaixo.



Se a unidade for frequentemente exposta a chuva forte ou neve:

Construa um abrigo em cima da unidade para evitar chuva ou neve. Tenha cuidado para não obstruir o fluxo de ar à volta da unidade.

Se a unidade for frequentemente exposta ao ar salgado (à beira-mar):

Utilize uma unidade de exterior especialmente concebida para resistir à corrosão.

Passo 2: Instalar Junta de Drenagem (apenas unidade da bomba de calor)

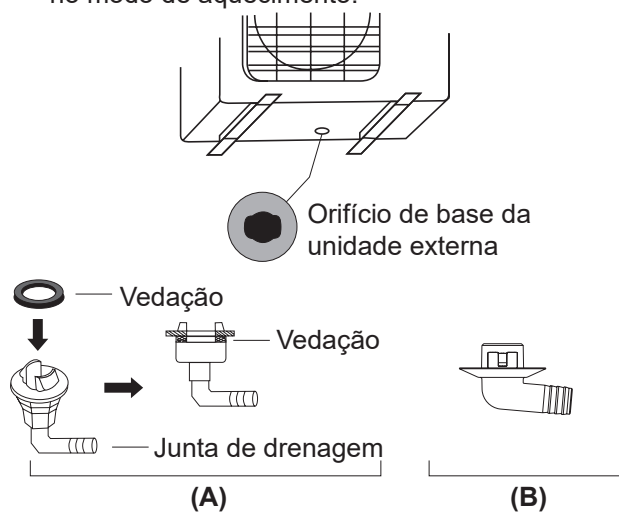
Antes de aparafusar a unidade exterior, a junta de drenagem deve ser instalada na parte inferior da unidade exterior. Observe que existem dois tipos diferentes de juntas de drenagem, dependendo do tipo de unidade exterior.

Se a junta de drenagem vier com uma vedação de borracha (veja Fig. A), faça o seguinte:

1. Instale uma vedação de borracha na extremidade do conector de drenagem que será conectado à unidade exterior.
2. Insira a junta de drenagem no orifício da base do aparelho.
3. Gire o encaixe de drenagem 90° até ouvir um clique em direção à parte frontal da unidade.
4. Conecte o cabo de extensão da mangueira de drenagem (não incluído) ao conector de drenagem para redirecionar a água da unidade no modo de aquecimento.

Se a junta de drenagem não tiver um selo de borracha (veja Fig. B), faça o seguinte:

1. Insira o conector de drenagem no furo no chassi da unidade. A junta de drenagem irá clicar no lugar.
2. Conecte o cabo de extensão da mangueira de drenagem (não incluído) ao conector de drenagem para redirecionar a água da unidade no modo de aquecimento.

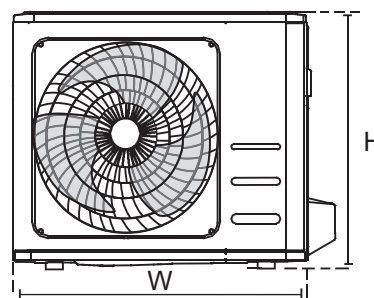
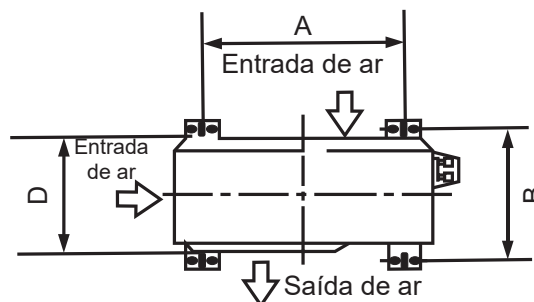


Passo 3: Ancorar unidade exterior

A unidade exterior pode ser fixada no chão ou no suporte de parede com parafusos (M10). Prepare a base de montagem da unidade de acordo com as seguintes dimensões.

DIMENSÕES DE MONTAGEM DA UNIDADE

A seguir, é apresentada uma lista de diferentes tamanhos de unidades exteriores e a distância entre os pés de montagem. Prepare a base de instalação da unidade de acordo com as dimensões abaixo.



! EM CLIMAS FRIOS

Em climas frios, certifique-se de que a mangueira de drenagem está o mais possível na vertical para garantir uma boa drenagem. Se a água drenar muito lentamente, pode congelar na mangueira e inundar a unidade.

Dimensões da unidade externa (mm) W × H × D	Dimensões de Montagem	
	Distância A (mm)	Distância B (mm)
681 × 434 × 285 (26,8" × 17,1" × 11,2")	460(18,1")	292 (11,5")
700 × 550 × 270 (27,5" × 21,6" × 10,6")	450(17,7")	260 (10,2")
700 × 550 × 275 (27,5" × 21,6" × 10,8")	450(17,7")	260 (10,2")
720 × 495 × 270 (28,3" × 19,5" × 10,6")	452(17,8")	255 (10,0")
728 × 555 × 300 (28,7" × 21,8" × 11,8")	452(17,8")	302 (11,9")
765 × 555 × 303 (30,1" × 21,8" × 11,9")	452(17,8")	286 (11,3")
770 × 555 × 300 (30,3" × 21,8" × 11,8")	487(19,2")	298 (11,7")
805 × 554 × 330 (31,7" × 21,8" × 12,9")	511(20,1")	317 (12,5")
800 × 554 × 333 (31,5" × 21,8" × 13,1")	514(20,2")	340 (13,4")
845 × 702 × 363 (33,3" × 27,6" × 14,3")	540(21,3")	350 (13,8")
890 × 673 × 342 (35,0" × 26,5" × 13,5")	663(26,1")	354 (13,9")
946 × 810 × 420 (37,2" × 31,9" × 16,5")	673(26,5")	403 (15,9")
946 × 810 × 410 (37,2" × 31,9" × 16,1")	673(26,5")	403 (15,9")

Se você quer instalara unidade no chão ou em uma plataforma de montagem de concreto, faça os seguintes:

1. Marque as posições dos quatro parafusos de expansão de acordo com a tabela de dimensões.
2. Perfure os furos nos parafusos de expansão com antecedência.
3. Coloque uma porca na extremidade de cada parafuso de expansão.
4. Martele os parafusos de expansão nos furos pré-perfurados.
5. Remova as porcas dos parafusos de expansão e coloque a unidade ao ar livre nos parafusos.
6. Coloque uma arruela em cada parafuso de expansão e substitua a porca.
7. Aperte cada porca com uma chave inglesa até encaixar bem.

AVISO

QUANDO FURAR EM CONCRETO, A PROTEÇÃO OCULAR É RECOMENDADA A TODOS OS TEMPOS.

Se você deseja montar a unidade em um suporte de parede:

CUIDADO

Confirme que as paredes são feitas de tijolo sólido, concreto ou material sólido semelhante. **A parede deve ser capaz de suportar pelo menos quatro vezes o peso da unidade.**

1. Marque as posições dos furos do suporte de acordo com a tabela de tamanhos.
2. Faça pré-furos nos parafusos de expansão.
3. Coloque uma arruela e uma porca no final de cada parafuso de expansão.
4. Passe os parafusos de expansão pelo furo no suporte de montagem, coloque o suporte de montagem no lugar e, em seguida, martele os parafusos de expansão na parede.
5. Verifique se os suportes de montagem estão nivelados.
6. Levante cuidadosamente a unidade e coloque os pés de montagem nos suportes.
7. Aparafuse firmemente a unidade aos suportes.
8. Se permitido, instale arruelas de borracha na unidade para reduzir a vibração e o ruído.

Passo 4: Ligue os cabos de sinal e de alimentação.

O bloco de terminais da unidade externa é protegido por uma tampa de fiação elétrica na lateral da unidade. No interior da tampa da cablagem está impresso um diagrama de cablagem abrangente.



AVISO

ANTES DE EXECUTAR QUALQUER TRABALHO ELÉTRICO OU DE CABLAGEM, DESLIGUE A FONTE DE ALIMENTAÇÃO PRINCIPAL DO SISTEMA.

1. Prepare o cabo para a ligação:

USAR O CABO CORRETO

Por favor, escolha o cabo certo, consulte "Tipos de cabos" na página 25.

ESCOLHA O TAMANHO CERTO DO CABO

O tamanho do cabo de alimentação, cabo de sinal, fusível e interruptor necessários é determinado pela corrente máxima da unidade. A corrente máxima é indicada na placa de identificação localizada no painel lateral da unidade.

NOTA: Na América do Norte, por favor, escolha o tamanho correto do cabo de acordo com a Ampacidade Mínima do Circuito indicada na placa de identificação da unidade.

- Utilizando alicates decapantes de fios, retire o revestimento de borracha das duas extremidades do cabo para revelar cerca de 40 mm (1,57 pol.) dos fios interiores.
- Retire o isolamento das extremidades dos cabos.
- Usando um crimpador de arame, prenda u-lugs nos terminais dos arames.

DAR ATENÇÃO AO FIO VIVO

Durante a crimpagem dos fios, certifique-se de que distingue claramente o fio sob tensão ("L") dos outros fios.

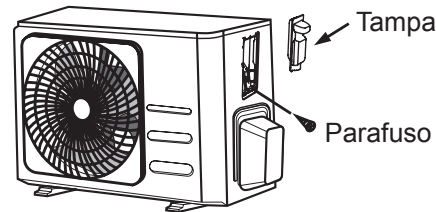


AVISO

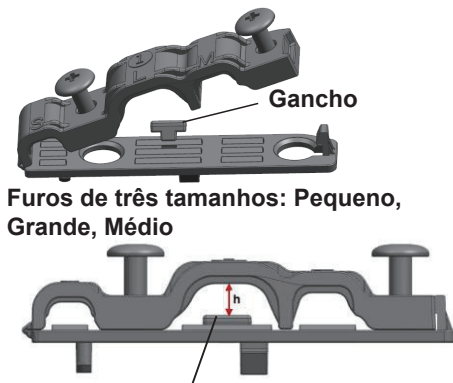
TODO O TRABALHO DE CABLAGEM DEVE SER EXECUTADO DE FORMA RÍGIDA DE ACORDO COM O DIAGRAMA DE CABLAGEM LOCALIZADO DENTRO DA TAMPA DO CABO DA UNIDADE EXTERIOR.

- Desaparafuse a tampa da cablagem elétrica e remova-a.
- Desaparafuse a braçadeira de cabos abaixo do bloco de terminais e coloque-a ao lado.
- Ligue o fio de acordo com o diagrama de cablagem, e aparafuse firmemente u-lug de cada fio ao seu terminal correspondente.
- Depois de verificar se todas as ligações estão seguras, ligue os fios para evitar a entrada de água da chuva no terminal.

- Utilizando o grampo do cabo, fixe o cabo à unidade. Aparafuse bem a braçadeira de cabos.
- Isole os fios não utilizados com fita elétrica de PVC. Organize-os de modo a que não toquem em nenhuma peça elétrica ou metálica.
- Recoloque a tampa do fio na lateral da unidade e aperte-a no lugar.



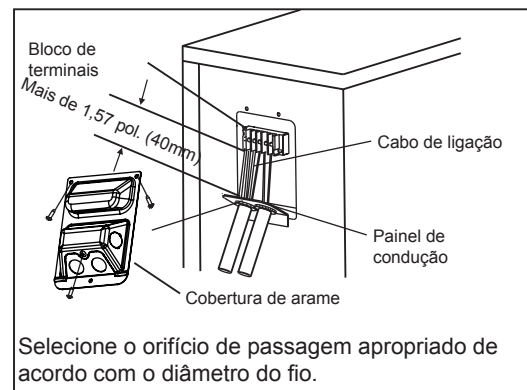
NOTA: Se a braçadeira do cabo tiver o seguinte aspecto, seleccione o orifício de passagem apropriado de acordo com o diâmetro do fio.



Quando o cabo não estiver suficientemente apertado, use o gancho para o apoiar, para que possa ser apertado com força.

Na América do Norte

- Retire a cobertura de arame da unidade desapertando os 3 parafusos.
- Desmonte as tampas no painel da conduta.
- Monte temporariamente os tubos de conduta (não incluídos) no painel de conduta.
- Ligue adequadamente tanto a alimentação elétrica como as linhas de baixa tensão aos terminais correspondentes no bloco de terminais.
- Funde a unidade em conformidade com os códigos locais.
- Certifique-se de dimensionar cada fio permitindo vários centímetros mais longo do que o comprimento necessário para a fiação.
- Use porcas de segurança para fixar os tubos condutores.



Selecione o orifício de passagem apropriado de acordo com o diâmetro do fio.

Conexão da Tubagem de Refrigerante

Ao conectar tubos de refrigerante, **não** permita que substâncias ou gases além do refrigerante especificado entrem na unidade. A presença de outros gases ou substâncias reduzirá a capacidade do equipamento e poderá causar pressões anormalmente altas no ciclo de refrigeração. Isso pode causar explosões e ferimentos.

Nota sobre o comprimento do tubo

O comprimento do tubo de refrigerante afeta o desempenho e a eficiência energética da unidade. A eficiência nominal foi testada nas unidades com 5 metros de comprimento (16,5 pés) (na América do Norte, o comprimento padrão do tubo é de 7,5 m (25 polegadas)). O comprimento mínimo do tubo é de 3 metros para minimizar vibrações & ruídos excessivos. Em regiões tropicais especiais, para o modelo de refrigerante R290, nenhum refrigerante pode ser adicionado e o comprimento máximo do tubo de refrigerante não deve exceder 10 metros (32,8 pés).

Veja a tabela abaixo para especificações do comprimento máximo e altura de queda do tubo.

Comprimento Máximo e Altura de Queda do Tubo de Refrigerante por Modelo de Unidade

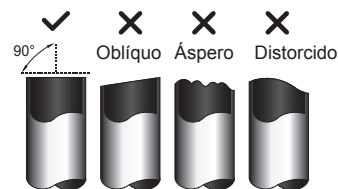
Modelo	Capacidade (BTU/h)	Máx. Comprimento (m)	Máx. Altura da gota (m)
R410A, R32 Ar-condicionado dividido de frequência variável	<15.000	25 (82 pés)	10 (33 pés)
	≥ 15.000 e < 24.000	30 (98,5 pés)	20 (66 pés)
	≥ 24.000 e < 36.000	50 (164 pés)	25 (82 pés)
R22 Velocidade Fixa Ar-condicionado Dividido	<18.000	10 (33 pés)	5 (16 pés)
	≥ 18.000 e < 21.000	15 (49 pés)	8 (26 pés)
	≥ 21.000 e < 35.000	20 (66 pés)	10 (33 pés)
R410A, R32 Velocidade Fixa Ar-condicionado Dividido	< 18,000	20 (66 pés)	8 (26 pés)
	≥ 18.000 e < 36.000	25 (82 pés)	10 (33 pés)

Instruções de Ligação - Tubagem de Refrigerante

Passo 1: Cortar tubos

Ao preparar os tubos de refrigerante, tome cuidado extra para cortá-los e expandi-los. Isso garantirá uma operação eficiente e minimizará os futuros requisitos de manutenção.

1. Meça a distância entre as unidades interior e exterior.
2. Usar um curtidor de tubos, corte o tubo um pouco mais que a distância de medição.
3. Verifique se o tubo foi cortado em um ângulo perfeito de 90 °.



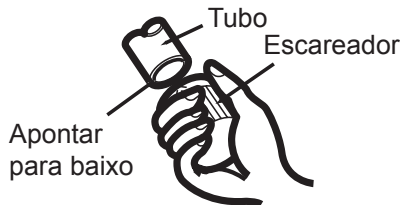
NÃO DEFORMA A TUBULAÇÃO AO CORTE

Tenha cuidado extra para não danificar, entalar ou deformar o tubo durante o corte. Isso reduzirá drasticamente a eficiência de aquecimento da unidade.

Passo 2: Remoção de rebarbas

As saliências podem afetar a vedação hermética da conexão da tubagem de refrigerante. Isso reduzirá bastante a eficiência de aquecimento da unidade.

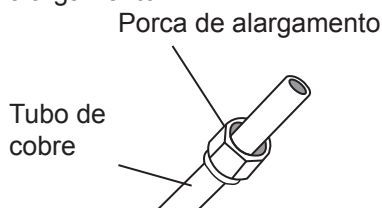
1. Incline o tubo para baixo para evitar que rebarbas caiam no tubo.
2. Incline o tubo para baixo para evitar que rebarbas caiam no tubo.



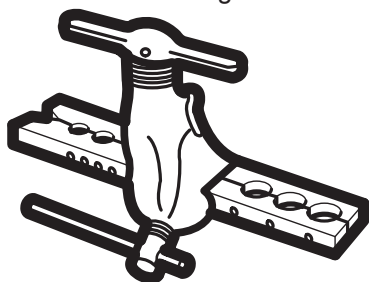
Passo 3: Extremidades do tubo de alargamento

A queima adequada é essencial para obter uma vedação hermética.

1. Após remover as rebarbas do tubo cortado, sele as duas extremidades com fita de PVC para evitar que materiais estranhos entrem no tubo.
2. Embainhe o tubo com material isolante.
3. Coloque as porcas de alargamento nas duas extremidades do tubo. Verifique se eles estão voltados para a direção certa, porque você não pode usá-los ou alterar sua orientação após alargamento.

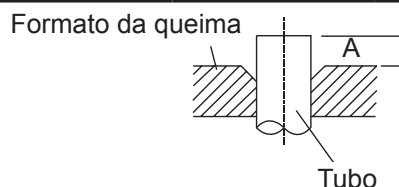


4. Ao se preparar para o trabalho de alargamento, remova a fita de PVC da extremidade do tubo.
5. Ao se preparar para o trabalho de alargamento, remova a fita de PVC da extremidade do tubo. De acordo com as dimensões mostradas na tabela abaixo, a extremidade do tubo deve se estender fora da borda alargada.



EXTENSÃO DE TUBULAÇÃO ALÉM DO FORMULÁRIO DE ALARGAMENTO

Diâmetro Externo do Tubo (mm)	A (mm)	
	Mín.	Máx.
ø6,35 (ø0,25")	0,7 (0,0275")	1,3 (0,05")
ø9,52 (ø0,375")	1,0 (0,04")	1,6 (0,063")
ø12,7 (ø0,5")	1,0 (0,04")	1,8 (0,07")
ø16 (ø0,63")	2,0 (0,078")	2,2 (0,086")
ø19 (ø0,75")	2,0 (0,078")	2,4 (0,094")



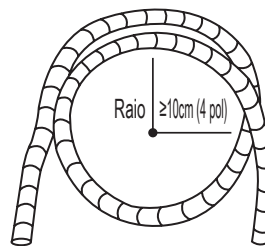
6. Coloque a ferramenta de alargamento no formulário.
7. Gire o manípulo da ferramenta de queima no sentido horário até que o tubo esteja totalmente queimado.
8. Remova a ferramenta de alargamento e o dispositivo de alargamento e verifique se a extremidade do tubo está trincada ou mesmo alargado.

Passo 4: Conectar tubos

Ao conectar a porca de alargamento, aplique uma fina camada de óleo de refrigeração na extremidade de alargamento do tubo. Você deve primeiro conectar o tubo de baixa pressão, depois o tubo de alta pressão.

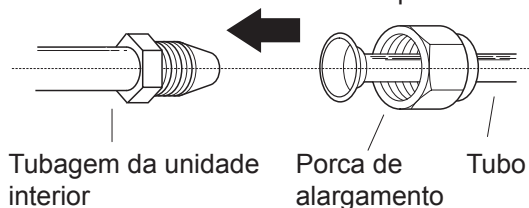
RAIO DE CURVATURA MÍNIMO

Ao dobrar tubo de refrigerante, o raio de curvatura mínimo é de 10 cm.

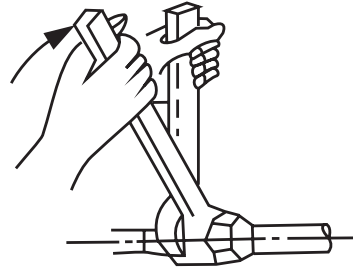


Instruções para Conectar Tubos à Unidade em Casa

1. Alinhe o centro dos dois tubos que você conectará.



- Aperte a porca de queima o mais firmemente possível à mão.
- Use uma chave para prender a porca firmemente no tubo da unidade.
- Segure a porca firmemente e use uma chave de torque para apertar a porca de alargamento de acordo com o valor de torque na tabela abaixo. Solte levemente a porca de alargamento e aperte-a novamente.



REQUISITOS DE TORQUE

Diâmetro externo do tubo (mm)	Torque de Aperto (N·m)	Dimensão de Alargamento (B) (mm)	Formato do cone
ø6,35 (ø0,25")	18~20 (180~200kgf.cm)	8,4~8,7 (0,33~34")	
ø9,52 (ø0,375")	32~39 (320~390kgf.cm)	13,2~13,5 (0,52~0,53")	
ø12,7 (ø0,5")	49~59 (490~590kgf.cm)	16,2~16,5 (0,64~0,65")	
ø16 (ø0,63")	57~71 (570~710kgf.cm)	19,2~19,7 (0,76~0,78")	
ø19 (ø0,75")	67~101 (670~1010kgf.cm)	23,2~23,7 (0,91~0,93")	

⊘ NÃO USE TORQUE EXCESSIVO

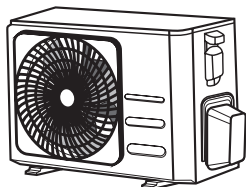
A aplicação de força excessiva pode danificar a porca ou o tubo de refrigerante. Não deve exceder os requisitos de torque mostrados na tabela acima.

Instruções para Conectar Tubulação à Unidade ao Ar Livre

- Desaparafuse a tampa da válvula de empanque na lateral da unidade ao ar livre.
- Remova as tampas protetoras das extremidades das válvulas.
- Alinhe a extremidade do tubo alargado com cada válvula e aperte a porca de alargamento o mais firmemente possível com a mão.
- Segure o corpo da válvula com uma chave inglesa. Não segure a porca da válvula de serviço vedada.
6. Solte levemente a porca de alargamento e aperte-a novamente.
7. Repita as etapas 3 a 6 para o tubo restante.

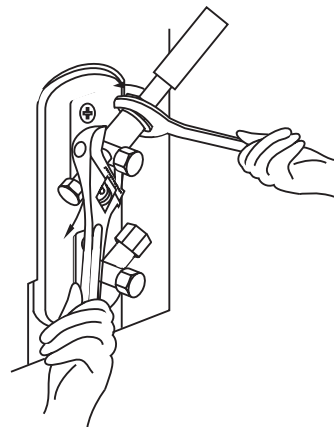
! USAR CHAVE DE BOCA PARA SEGURAR O CORPO PRINCIPAL DA VÁLVULA

O torque gerado pelo aperto da porca de alargamento pode quebrar outras partes da válvula.



Tampa da válvula

- Enquanto segura o corpo da válvula com firmeza, use uma chave de torque para apertar a porca de alargamento com o valor de torque correto.



Evacuação de Ar

Preparações e Precauções

Ar e objetos estranhos no circuito de refrigerante podem causar aumento anormal da pressão, o que pode danificar o ar-condicionado, reduzir sua eficiência e causar ferimentos. Use uma bomba de vácuo e um medidor de pressão do coletor para drenar o circuito de refrigerante e remover todos os gases não condensáveis e umidade do sistema.

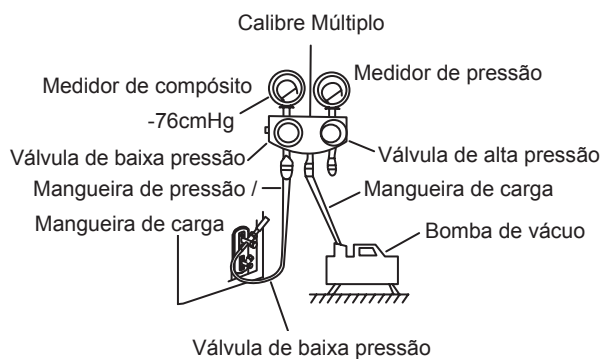
Use uma bomba de vácuo e um medidor de pressão do coletor para drenar o circuito de refrigerante e remover todos os gases não condensáveis e umidade do sistema.

ANTES DE REALIZAR A EVACUAÇÃO

- Verifique se os tubos conectivos entre as unidades interior e exterior estão conectados corretamente.
- Certifique-se de que toda a cablagem está corretamente ligada.

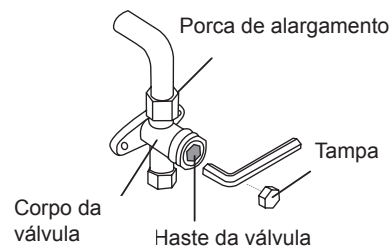
Instruções de Evacuação

1. Conecte a mangueira de carga do manômetro à porta de serviço na válvula de baixa pressão da unidade ao ar livre.
2. Conecte outra mangueira de carga do manômetro à bomba de vácuo.
3. Abra o lado de Baixa Pressão do manômetro do coletor. Mantenha o lado de alta pressão fechado.
4. Ligue a bomba de vácuo para evacuar o sistema.
5. Evacue por pelo menos 15 minutos ou até o Medidor Composto exibe -76cmHg (-10^5 Pa).



6. Feche o lado de Baixa Pressão do manômetro e desligue a bomba de vácuo.
7. Aguarde 5 minutos e verifique se não houve alteração na pressão do sistema.

8. Se a pressão do sistema mudar, consulte a seção "Verificação de Vazamento de Gás" para obter informações sobre como verificar vazamentos. Se a pressão do sistema não mudar, remova a tampa da válvula de empanque (válvula de alta pressão).
9. Insira a chave hexagonal na válvula empacotada (válvula de alta pressão) e abra a válvula através de girar a chave em 1/4 de volta no sentido anti-horário. Ouça o gás que sai do sistema e feche a válvula após 5 segundos.
10. Observe o Manômetro por um minuto para garantir que não haja alterações na pressão. O Manômetro deve ter uma leitura um pouco maior que a pressão atmosférica.
11. Remova a mangueira de carga da porta de serviço.



12. Abra totalmente a válvula de alta pressão e a válvula de baixa pressão com uma chave hexagonal.
13. Aperte as capotas nas três válvulas (porta de acesso, alta pressão, baixa pressão) manualmente. Você pode apertar ainda mais usando uma chave de torque, se necessário.

! ABRA AS VÁLVULAS SOMENTE

Ao abrir a haste da válvula, gire a chave hexagonal até atingir o bujão. Não tente forçar a válvula a abrir mais.

Nota sobre a Adição de Refrigerante

Alguns sistemas dependem do comprimento do tubo por uma taxa adicional. O comprimento padrão do tubo varia de acordo com os regulamentos locais. Por exemplo, na América do Norte, o comprimento padrão do tubo é de 7,5 m (25').

Em outras áreas, o comprimento do tubo padrão é de 5m (16'). O refrigerante deve ser injetado a partir da porta de serviço na válvula de baixa pressão da unidade ao ar livre. Pode usar a seguinte fórmula para calcular o refrigerante adicional a ser enchido:

REFRIGERANTE ADICIONAL POR COMPRIMENTO DO TUBO

Comprimento do tubo conector (m)	Método de purga de ar	Refrigerante Adicional	
≤ Comprimento padrão do tubo	Bomba de vácuo	N/A	
> Comprimento do tubo padrão	Bomba de Vácuo	Lado Líquido: ø6,35 (ø0,25") R32: (Comprimento do tubo - comprimento padrão) × 12g/m (Comprimento do tubo - comprimento padrão) × 0,13oz/pé R290: (Comprimento do tubo - comprimento padrão) × 10g/m (Comprimento do tubo - comprimento padrão h) × 0,10oz/pé R410A: (Comprimento do tubo - comprimento padrão) × 15g/m (Comprimento do tubo - comprimento padrão) × 0,16oz/pé R22: (Comprimento do tubo - comprimento padrão) × 20g/m (Comprimento do tubo - comprimento padrão h) × 0,21oz/pé	Lado Líquido: ø9,52 (ø0,375") R32: (Comprimento do tubo - comprimento padrão) × 24g/m (Comprimento do tubo - comprimento padrão) × 0,26oz/pé R290: (Comprimento do tubo - comprimento padrão) × 18g/m (Comprimento do tubo - comprimento padrão) × 0,19oz/pé R410A: (Comprimento do tubo - comprimento padrão) × 30g/m (Comprimento do tubo - comprimento padrão) × 0,32oz/ft R22: (Comprimento do tubo - comprimento padrão) × 40g/m (Comprimento do tubo - comprimento padrão) × 0,42oz/ft

Para unidade de refrigerante R290, a quantidade total de refrigerante a ser enchida não excede: 387g(≤9000Btu/h), 447g(>9000Btu/h e ≤12000Btu/h), 547g(>12000Btu/h e ≤18000Btu/h), 632g(>18000Btu/h e ≤24000Btu/h).



CUIDADO NÃO misture tipos de refrigerantes.

Verificações de Fugas de Gás e Eletricidade

Antes de Comissionamento

Execute comissionamento após concluir as seguintes etapas:

- **Verificações de Segurança Elétrica** —Verifique se o sistema elétrico da unidade está seguro e a funcionar adequadamente
- **Verificações de Vazamento de Gás** –Verifique a conexão de todas as porcas de alargamento e confirme se o sistema não está a vaziar
- Confirme se as válvulas de gás e líquido (pressão alta e baixa) estão totalmente abertas

Verificações de segurança elétrica

Após a instalação, verifique se todos os fios estão instalados de acordo com os regulamentos locais e nacionais e o Manual de Instalação.

ANTES DA EXECUÇÃO DO TESTE

Verificar Trabalho de Aterramento

Meça a resistência de aterramento com inspeção visual e testador de resistência de aterramento. A resistência de aterramento deve ser menor que 0,1Ω.

Nota: Isto pode não ser necessário para alguns locais na América do Norte.

DURANTE O TESTE DE FUNCIONAMENTO

Verificar Vazamento Elétrico

Durante a execução do teste, use uma caneta elétrica e um multímetro para executar um teste abrangente de vazamento.

Se for necessário detectar vazamento, desligue imediatamente a unidade e chame um electricista licenciado para encontrar e resolver a causa do vazamento.

Nota: Isto pode não ser necessário para alguns locais na América do Norte.

AVISO-RISCO DE CHOQUE ELÉTRICO

TODA A FIAÇÃO DEVE CUMPRIR OS CÓDIGOS ELÉTRICOS LOCAIS E NACIONAIS, E DEVE SER INSTALADA POR UM ELETRICISTA LICENCIADO.

Verificações de vazamento de gás

Existem duas maneiras de verificar vazamentos de gás.

Método de Sabão e Água

Use uma escova macia para aplicar água com sabão ou detergente líquido em todos os pontos de conexão dos tubos das unidades interior e exterior. A presença de bolhas indica um vazamento.

Método de Detector de Vazamento

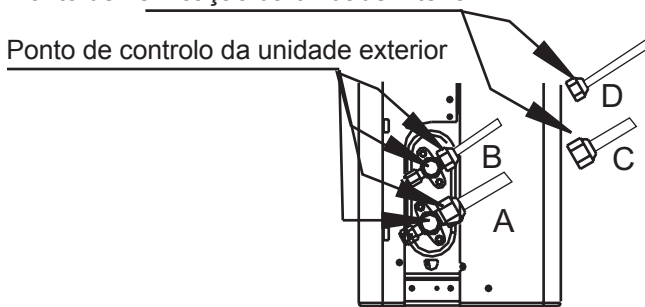
Se estiver a usar um detector de vazamento, consulte o manual de operação da unidade para obter instruções corretas.

APÓS REALIZAR VERIFICAÇÕES DE VAZAMENTO DE GÁS

Depois de confirmar que todos os pontos de conexão do tubo **NÃO** vazam, recoloque a tampa da válvula na unidade ao ar livre.

Ponto de verificação da unidade interior

Ponto de controlo da unidade exterior



- A:** Válvula de retenção de baixa pressão
- B:** Válvula de bloqueio de alta pressão
- C & D:** Porcas de alargamento para unidade em casa

Teste de Execução

Instruções de execução de teste

Você deve executar um comissionamento por pelo menos 30 minutos.

1. Ligue a alimentação à unidade.
2. Pressione o botão **ON/OFF (LIGADO/ DESLIGADO)** no controlo remoto para ligá-lo.
3. Pressione o botão **MODE (MODO)** para rolar pelas seguintes funções, uma de cada vez:
 - COOL (ARREFECIMENTO) - Selecione a temperatura mais baixa possível
 - HEAT (AQUECIMENTO) - Selecione a temperatura mais alta possível
4. Deixe cada função funcionar por 5 minutos e execute as seguintes verificações:

Lista de Verificações a Executar	PASSA / FALHA	
Sem fugas eléctricas		
A unidade está devidamente aterrada		
Todos os terminais eléctricos cobertos adequadamente		
As unidades interior e exterior estão solidamente instaladas		
Todos os pontos de conexão do tubo não vazam	Exterior (2):	Interior (2):
A água drena adequadamente da mangueira de drenagem		
Toda a tubulação está adequadamente isolada		
A unidade executa corretamente a função COOL (ARREFECIMENTO)		
A unidade executa corretamente a função HEAT (AQUECIMENTO)		
As persianas da unidade interior rodam correctamente		
A unidade interior responde ao controlo remoto		

VERIFICAR DUAS VEZES AS LIGAÇÕES DOS TUBOS

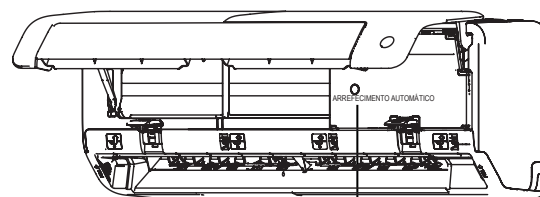
Durante a operação, a pressão do circuito de refrigerante aumentará. Isto pode revelar fugas que não estavam presentes durante a verificação inicial de fugas. Reserve um tempo para verificar cuidadosamente se todos os pontos de conexão do tubo de refrigerante não estão a vazar durante o teste. Consulte a seção Verificação de Vazamento de Gás para obter instruções.

5. Depois que comissionamento for concluído com êxito e todos os pontos de verificação na lista de verificação a serem executados tiverem passado, faça os seguintes:
 - A. Use o controlo remoto para restaurar a unidade à temperatura operacional normal.
 - B. Use fita isolante para enrolar as conexões do tubo de refrigerante interno que não foram expostas durante a instalação da unidade interior.

SE A TEMPERATURA AMBIENTE FOR INFERIOR A 17 °C (62 °F)

Quando a temperatura ambiente é inferior a 17°C, a função COOL (ARREFECIMENTO) não pode ser ativada usando o controlo remoto. Nesse caso, você pode pressionar o botão **MANUAL CONTROL (CONTROLO MANUAL)** para testar a função COOL (ARREFECIMENTO).

1. O botão **MANUAL CONTROL (CONTROLO MANUAL)** está localizado no painel do lado direito da unidade.
2. Pressione o botão duas vezes para seleccionar a função COOL (ARREFECIMENTO).
3. Realizar o Teste de Execução normalmente.



Botão MANUAL CONTROL (CONTROLO MANUAL)

Embalar e desembalar a unidade

Instruções de embalar e desembalar a unidade.

Desembalar:

Unidade interior:

1. Corte a fita de selagem na caixa com uma faca, um corte à esquerda, um corte no meio e um corte à direita.
2. Use o torno para retirar os pregos de selagem na parte superior da caixa de cartão.
3. Abra a caixa.
4. Retire a placa de suporte do meio, se esta estiver incluída.
5. Retire a embalagem de acessórios, e o fio de ligação, se estiver incluído.
6. Levante a máquina da caixa de cartão e coloque-a na horizontal.
7. Remova a espuma das embalagens esquerda e direita ou a espuma das embalagens superior e inferior, desamarre o saco de embalagem.

Unidade exterior

1. Corte a cinta de embalagem.
2. Tire a unidade da caixa.
3. Remova a espuma da unidade.
4. Retire o saco de embalagem da unidade.

Embalar:

Unidade interior:

1. Coloque a unidade interior no saco de embalagem.
2. Fixe a espuma das embalagens esquerda e direita ou a espuma das embalagens superior e inferior à unidade.
3. Coloque a unidade na embalagem de cartão e, e coloque a embalagem de acessórios.
4. Feche a caixa e sele-a com a fita adesiva.
5. Use a cinta de embalagem, se necessário.

Unidade exterior:

1. Coloque a unidade exterior no saco de embalagem.
2. Coloque a espuma do fundo na caixa.
3. Coloque a unidade na caixa, e depois coloque a espuma da embalagem superior na unidade.
4. Feche a caixa e sele-a com a fita adesiva.
5. Use a cinta de embalagem, se necessário.

NOTA: Por favor, mantenha todos os itens de embalagem se você puder precisar no futuro.

Installationsvejledning

Tilbehør	17
Installationsoversigt – Indendørsenhed.....	18
Enhedsdele	19
Indendørs enhedsinstallation.....	20
1. Vælg installationsplacering.....	20
2. Fastgør monteringspladen på væggen.....	20
3. Bor væghul til forbindelsesrør.....	21
4. Forbered kølemedierør.....	22
5. Tilslut drænslange	24
6. Tilslut signal- og strømkabler.....	25
7. Indpakning og kabler	26
8. Monter indendørsenheden	26
Udendørs enhedsinstallation	27
1. Vælg installationsplacering.....	27
2. Installer drænled.....	28
3. Anker udendørs enhed	28
4. Tilslut signal- og strømkabler.....	30
Kølemiddelrørforbindelse.....	31
A. Bemærkning om rørlængde	31
B. Tilslutningsinstruktioner - Rørledning til kølemiddel	31
1. Skær rør.....	31
2. Fjern burrs	32
3. Flare rørender.....	32
4. Tilslut rør.....	32
Luft evakuering.....	34
1. Instruktioner til evakuering.....	34
2. Bemærk om tilføjelse af kølemiddel	35
Elektrisk og gas lækagecheck	36
Test løb	37
Indpakning og udpakning af enheden.....	38

Fejlfinding



SIKKERHEDSFORHOLDSREGLER

Slut straks for enheden, hvis ÉT af følgende forhold indtræffer!

- Elledningen er beskadiget eller er usædvanlig varm
- Der lugter brændt
- Enheden udsender høje eller unormale lyde
- Der springer en sikring, eller HFI-relæet udløses ofte
- Der drypper vand ned i enheden, eller der falder genstande ind i eller ud af enheden

PRØV IKKE AT REPARERE DISSE SELV! KONTAKT STRAKS EN AUTORISERET SERVICETEKNIKER!

Almindelige problemer

Følgende problemer udgør ikke en fejlfunktion og kræver i de fleste tilfælde ingen reparation.

Problem	Mulige årsager
Enheden tændes ikke, når du trykker på TÆND/SLUK knappen	Enheden har en beskyttelsesfunktion, der forhindrer enheden i overbelastning i 3 minutter. Enheden kan ikke genstartes, før den har været slukket i 3 minutter.
Enheden skifter fra tilstanden COOL/HEAT (AFKØL/OPVARM) til FAN (BLÆSER)	Enheden ændrer muligvis sin indstilling for at forhindre, at der dannes is på enheden. Når temperaturen stiger, begynder enheden at fungere igen i den tidligere valgte tilstand.
	Den indstillede temperatur er nået, og enheden slukker kompressoren. Enheden vil fortsætte med at fungere, når temperaturen fluktuerer igen.
Indendørsenheden udsender en hvid tåge	En stor forskel mellem temperaturen i rummets luft og den afkølede luft kan i fugtige oråder medføre en hvid tåge.
Både indendørsenheden og udendørsenheden udsender en hvid tåge	Når enheden genstarter i VARME-tilstand efter afrimning, kan hvidt tåge udsendes på grund af fugt frembragt ved afrimningsprocessen.
Indendørsenheden støjer	Der kan lyde en lyd af susende luft, når lamellen nulstiller sin stilling.
	Der kan opstå en knirkende lyd, når enheden kører i HEAT-tilstand på grund af udvidelse og sammentrækning af enhedens plastdele.
Både indendørsenheden og udendørsenheden støjer	Lav hvæsende lyd under drift: Dette er normalt og skyldes, at kølemiddelgas flyder gennem både indendørs og udendørs enheder.
	Lav hvæsende lyd, når systemet starter, lige er standset eller er ved at afrime: Lyden er normal og skyldes, at kølegassen stopper eller ændrer retning.
	Knagende lyd: Normal udvidelse og sammentrækning af plast- og metaldele forårsaget af temperaturændringer under drift kan forårsage knirkende lyde.

Problem	Mulige årsager
Udendørsenheden støjer	Enheden udsender forskellige lyde alt efter den aktuelle driftstilstand.
Enten indendørsenheden eller udendørsenheden udsender støv	Der kan opsamles støv i enheden under længere perioder uden brug. Støvet udsendes, når enheden startes. Det kan afhjælpes ved at tildække enheden under længere perioder uden brug.
Der kommer en dårlig lugt fra enheden	Enheden kan absorbere lugte fra miljøet (såsom møbler, madlavning, cigaretter osv.), som vil blive udsendt under driften.
	Enhedens filter er blevet mugne og bør rengøres.
Udendørsenhedens blæser virker ikke	Blæserhastigheden styres under driften for at optimere driften af produktet.
Driften er ustabil og uforudsigelig, eller enheden reagerer ikke	Driften er ustabil og uforudsigelig, eller enheden reagerer ikke. Interferens fra mobilmaster og fjernforstærkere kan give funktionsfejl på enheden. Prøv følgende i dette tilfælde: <ul style="list-style-type: none"> • Afbryd strømmen, og tilslut den igen. • Tryk på knappen ON/OFF (TIL/FRA) på fjernbetjeningen for at genstarte driften.

BEMÆRK: Hvis problemet fortsætter, skal du kontakte en lokal forhandler eller dit nærmeste kundeservicecenter. Giv dem en detaljeret beskrivelse af funktionsfejlen på enheden samt dit modelnummer.

Fejlfinding

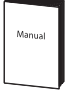


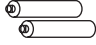


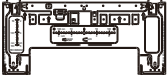




Kontrollér følgende punkter, når der opstår problemer, før du kontakter en reparatørvirksomhed.

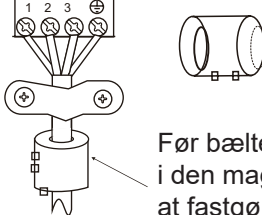
Problem	Mulige årsager	Løsning
Dårlig afkøling	Temperaturindstillingen kan være højere end temperaturen i rummet	Sænk temperaturindstillingen
	Varmeudveksleren på indendørsenheden eller udendørsenheden er snavset	Rengør den pågældende varmeveksler
	Luftfilteret er snavset	Fjern filteret, og rengør det i henhold til instruktionerne
	Luftindtaget eller -udtaget på en af enhederne er blokeret	Sluk enheden, fjern blokeringen, og tænd den igen
	Døre og vinduer er åbne	Kontrollér, at alle døre og vinduer er lukkede, når enheden bruges
	Stærk varme fra sollys	Luk vinduer og døre i perioder med stærk varme eller klart solskin
	For mange varmekilder i rummet (personer, computere, elektronik osv.)	Reducér antallet af varmekilder
	Lavt kølemiddelniveau på grund af lækage eller langvarig drift	Kontrollér for lækager, tætn dem om nødvendigt, og fyld op med kølemiddel
	SILENCE-funktionen er aktiveret (valgfri funktion)	Funktionen SILENCE (LYDLØS) kan reducere produktets ydelse ved at reducere driftsfrekvensen. Sluk funktionen SILENCE (LYDLØS).

Problem	Mulige årsager	Løsning
Enheden fungerer ikke	Strømafbrydelse	Vent, indtil strømmen kommer igen
	Strømmen er slukket	Tænd strømmen
	Sikringen er sprunget	Udskift sikringen
	Batterierne i fjernbetjeningen er opbrugt	Udskift batterierne
	Enhedens 3 minutters beskyttelse er aktiveret	Vent 3 minutter efter genstart af enheden
	Tidsur er aktiveret	Sluk tidsur
Enheden starter og stopper hyppigt	Der er for meget eller for lidt kølemiddel i systemet	Kontroller for lækager, og fyld kølemiddel på systemet.
	Ikke-sammentrykkelig gas eller fugt er kommet ind i systemet.	Tøm systemet for kølemiddel, og fyld op med kølemiddel igen.
	Kompressoren er istykker	Udskift kompressoren
	Spændingen er for høj eller for lav	Installér en trykregulator for at regulere spændingen
Dårlig opvarmning	Udendørstemperaturen er meget lav	Brug enhedens varmeelement
	Der kommer kold luft gennem døre og vindur	Kontrollér, at alle døre og vinduer er lukkede, når enheden bruges
	Lavt kølemiddelniveau på grund af lækage eller langvarig drift	Kontrollér for lækager, tætn dem om nødvendigt, og fyld op med kølemiddel
Kontrollamperne blinker konstant	Enheden stopper muligvis eller fortsætter med at køre sikkert. Hvis kontrollamperne fortsætter med at blinke, eller hvis der vises fejkoder, skal du vente i ca. 10 minutter. Problemet løses muligvis af sig selv. Hvis ikke, skal du afbryde strømmen og tilslutte den igen. Tænd enheden. Hvis problemet vedvarer, afbryde strømmen og kontakte dit nærmeste kundeservicecenter.	
Der vises fejkoder med følgende begyndelsesbogstaver i displayvinduet på indendørsenheden: <ul style="list-style-type: none"> • E (x), P (x), F (x) • EH (xx), EL (xx), EC (xx) • PH (xx), PL (xx), PC (xx) 		
BEMÆRK: Hvis problemet vedvarer efter udførelse af ovennævnte kontroller og diagnosticering, skal du straks slukke enheden og kontakte et autoriseret servicecenter.		

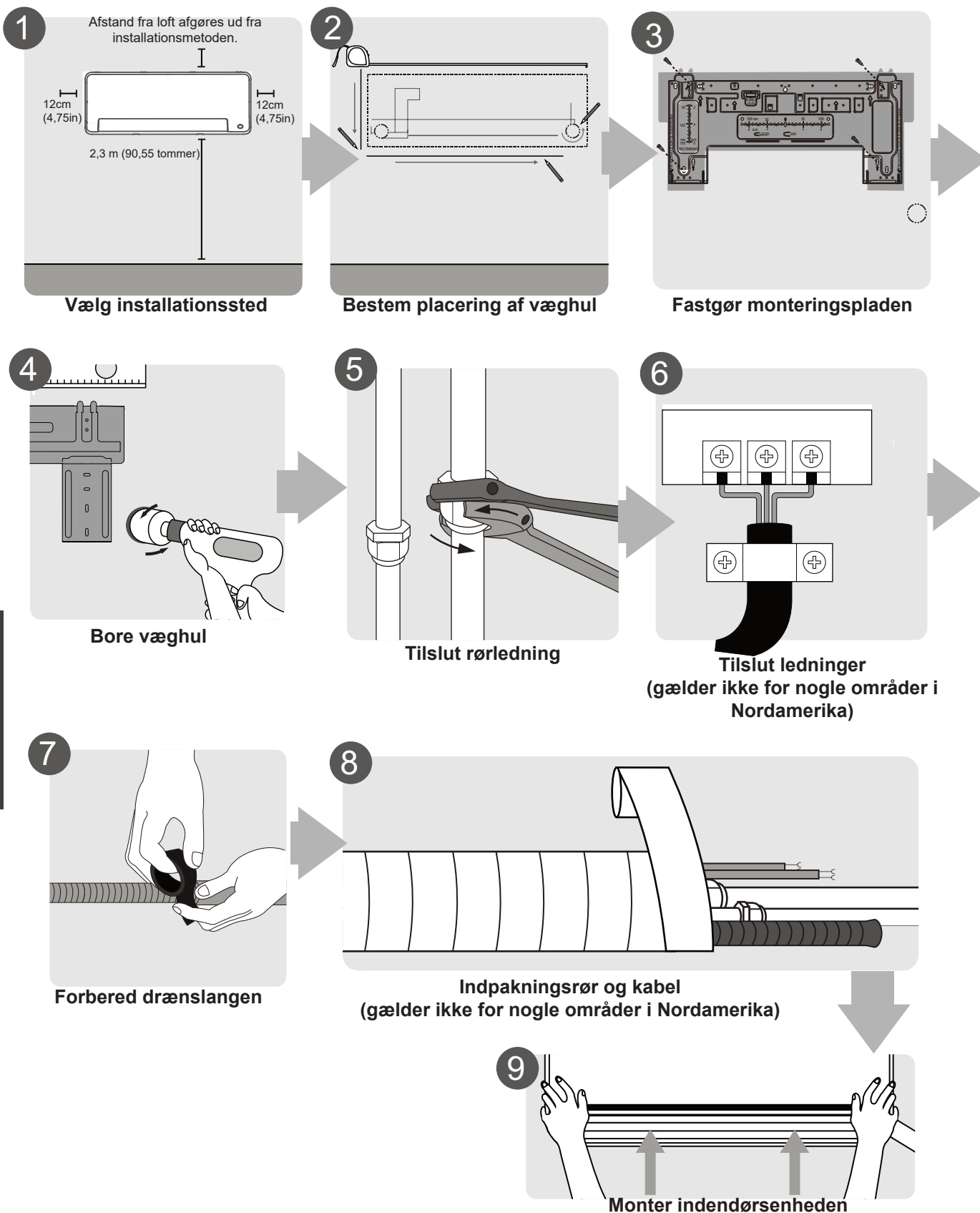
Tilbehør

Airconditionanlægget leveres med følgende tilbehør. Brug alt installationsdele og tilbehør til at installere klimaenlægget. Forkert installation kan resultere i vandlækage, elektrisk stød og brand eller forårsage, at udstyret svigter. Disse varer er ikke inkluderet med klimaenlægget. Skal købes separat.

Navn på tilbehør	Q'ty(pc)	Form	Navn på tilbehør	Q'ty(pc)	Form
brugervejledning	2-3		Fjernbetjening	1	
Tøm led (til køle- og opvarmningsmodeller)	1		Batteri	2	
Forsegle (til køle- og opvarmningsmodeller)	1		Fjernbetjeningsholder (valgfrit)	1	
Monteringsplade	1		Fastgørelsesskrue til holder til fjernbetjening (valgfri)	2	
Anker	5~8 (afhængigt af modeller)		Lille filter (Skal installeres på bagsiden af hovedluftfilteret af den autoriserede tekniker, mens du installerer maskinen)	1~2 (afhængigt af modeller)	
Monteringsplades fastgørelsesskrue	5~8 (afhængigt af modeller)				

Navn	Form	Mængde (PC)	
Tilslut rørmontage	Flydende side	Φ6,35 (1/4 in)	Dele, du skal købe separat. Kontakt forhandleren om den rigtige rørstørrelse på den enhed, du har købt.
		Φ9,52(3/8in)	
	Gas side	Φ9,52(3/8in)	
		Φ12,7(1/2in)	
		Φ 16(5/8in)	
		Φ 19(3/4in)	
Magnetring og bælte (hvis den medfølger, henvises til ledningsdiagrammet for at installere den på tilslutningskablet.)	 <p>Før bæltet gennem hullet i den magnetiske ring for at fastgøre det på kablet</p>	Varierer efter model	

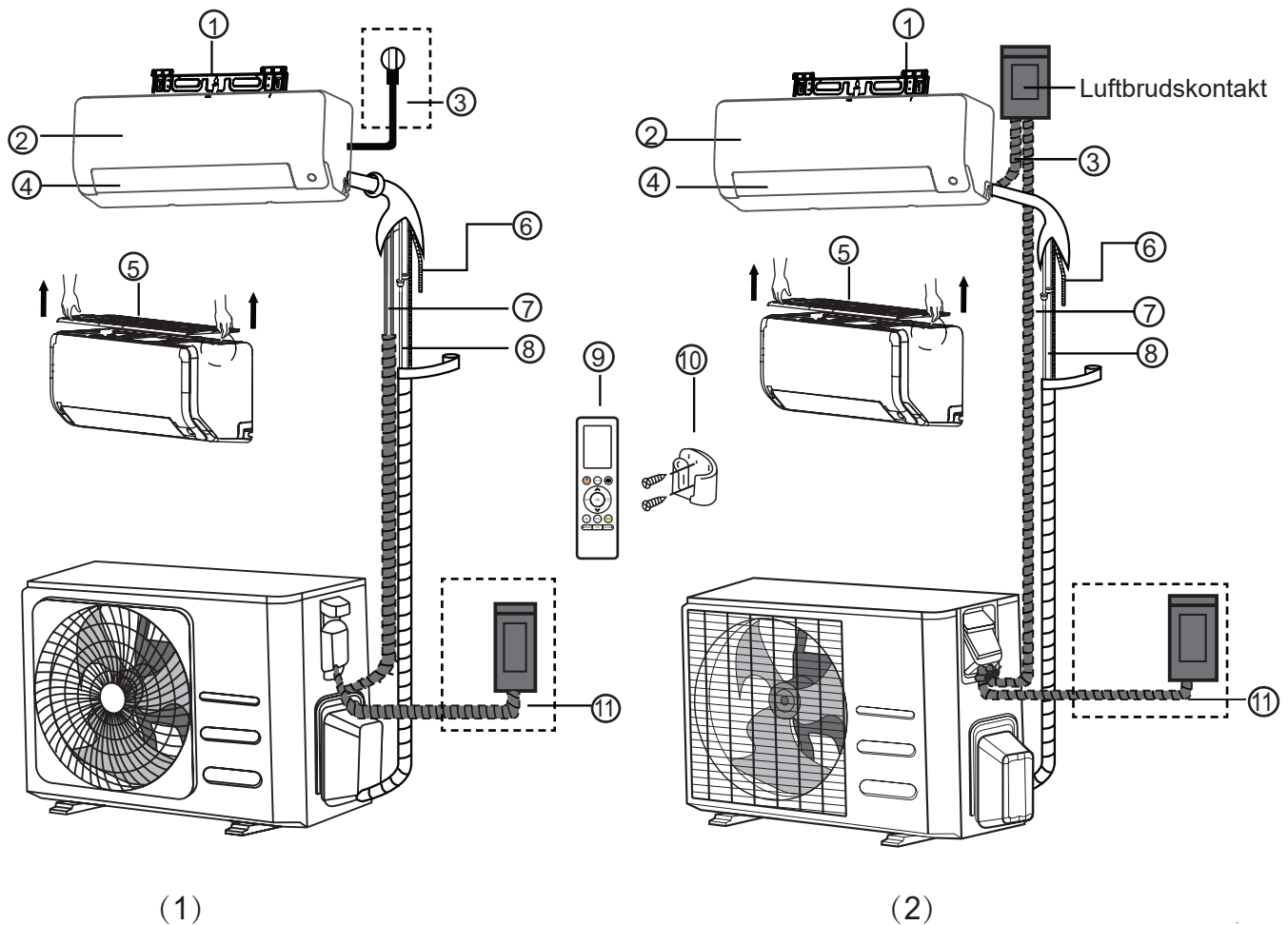
Installationsoversigt - indendørsenhed



Installationsoversigt
- indendørsenhed

Enhedsdele

BEMÆRK: Installationen skal udføres i overensstemmelse med kravet i lokale og nationale standarder. Installationen kan være lidt anderledes i forskellige områder.



- | | | |
|------------------------------|----------------------------|---|
| ① Vægmonteringsplade | ⑤ Luftfilter (træk det ud) | ⑨ Fjernbetjening |
| ② Frontpanel | ⑥ Dræningsrør | ⑩ Fjernbetjeningsholder (nogle enheder) |
| ③ Strømkabel (nogle enheder) | ⑦ Signalkabel | ⑪ Strømkabel til udendørs enhed (nogle enheder) |
| ④ Lamel | ⑧ Kølemiddel rørføring | |

BEMÆRK PÅ ILLUSTRATIONER

Illustrationerne i vejledningen er kun forklarende. Din indendørsenhed kan have et lidt andet udseende. Det faktiske udseende gælder.

Indendørs enhedsinstallation

Installationsvejledning - Indendørsenhed

PRIORITER TIL INSTALLATION

Før installationen af indendørsenheden henvises til etiketten på produktboksen for at sikre, at indendørsenhedens modelnummer stemmer overens med udendørsenhedens modelnummer.

Trin 1: Vælg installationsplacering

Inden du installerer indendørsenheden, skal du vælge en passende placering. Følgende er standarder, der hjælper dig med at vælge et passende sted til enheden.

Korrekte installationspladser opfylder følgende standarder:

- God luftcirkulation
- Praktisk dræning
- Støj fra enheden vil ikke forstyrre andre mennesker
- Fast og solid - placeringen vibrerer ikke
- Stærk nok til at understøtte enhedens vægt
- En placering mindst en meter fra alle andre elektriske apparater (f.eks. tv, radio, computer)

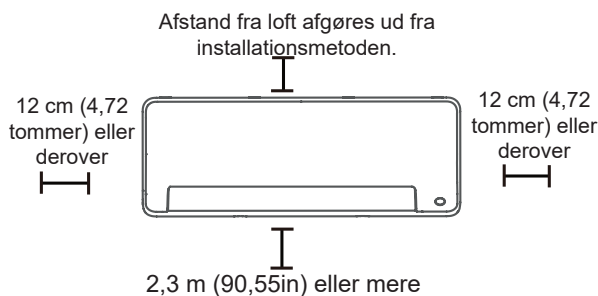
Du må **IKKE** installere enheden på følgende steder:

- I nærheden af enhver kilde til varme, damp eller brændbar gas
- I nærheden af brændbare genstande som f.eks. gardiner eller tøj
- I nærheden af enhver hindring, der kan blokere luftcirkulationen
- Tæt på døren
- I et sted, der er udsat for direkte sollys

BEMÆRK OM VÆGGHUL:

Hvis der ikke er fixeret kølemiddelrørføring: Mens du vælger en placering, skal du være opmærksom på, at du skal efterlade rigelig plads til et væghul (se **Borevæghul til forbindelsesrørstrin**) til signalkablet og kølemedierørene, der forbinder indendørs og udendørs enheder. Standardpositionen for alle rørsystemer er højre side af indendørsenheden (når du vender mod enheden). Enheden kan dog rumme rør til både venstre og højre.

Se følgende diagram for at sikre korrekt afstand fra vægge og loft:



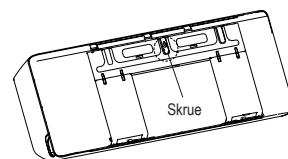
BEMÆRK:

- Hvis det ikke er nødvendigt at bruge rygholderen til at støtte enheden: Færdiggør rør- og kabelforbindelserne inden du monterer indendørsenheden på væggen. Installationshøjden er begrænset, 5 cm fra loftet er tilladt, men dette kan sænke produktydelsen. For at sikre plads nok til at installere og fjerne det øverste luftfilter, bør du holde en afstand til loftet på mindst 10 centimeter.
- Hvis det er nødvendigt at bruge rygholderen til at støtte enheden: Tilslutning af rør og kabel med åbent frontpanel, kræver en afstand på mindst 22 cm eller mere til loftet. Hvis tilslutningen af rør og kabel sker uden frontpanelet (fjern det), kræves der en afstand på 11 cm eller mere til loftet.

Trin 2: Fastgør monteringspladen på væggen

Monteringspladen er den enhed, som du vil montere indendørsenheden på.

- Fjern skruen, der fastgør monteringspladen bag på indendørsenheden.



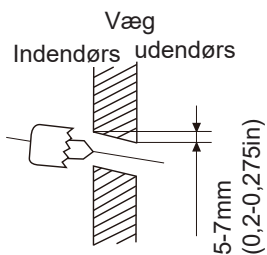
- Fastgør monteringspladen på væggen med de medfølgende skruer. Sørg for, at monteringspladen er flad mod væggen.

BEMÆRK TIL BETON ELLER MUR-Vægge:

Hvis væggen er lavet af mursten, beton eller lignende materiale, skal du bore huller med en diameter på 5 mm (0,2 tommer) i væggen og indsætte de medfølgende muffeankre. Fastgør derefter monteringspladen til væggen ved at spænde skruerne direkte ind i clipsankrene.

Trin 3: Bor væghul til forbindelsesrør

1. Bestem placeringen af væghullet på baggrund af monteringspladen. Se **dimensioner for monteringsplade**.
2. Brug af en 65 mm (2,5 tommer) eller 90 mm (3,54 tommer) (afhængigt af model) bores et hul i væggen. Sørg for, at hullet bores i en svag nedadgående vinkel, så hullets udvendige ende er lavere end den indvendige ende med ca. 5 mm til 7 mm (0,2-0,275in). Dette sikrer en korrekt vandafledning.



BEMÆRK: Når gassidens tilslutningsrør er Φ 16 mm (5/8 tommer) eller mere, skal væghullet være 90 mm (3,54 tommer).

3. Anbring den beskyttende vægmanchet i hullet. Dette beskytter hullets kanter og hjælper med at forsegle det, når du er færdig med installationen.

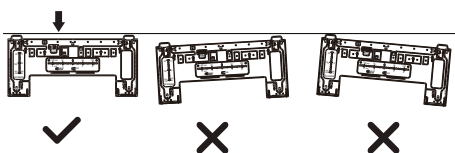
! FORSIGTIG

Når du borer væghullet, skal du sørge for at undgå ledninger, VVS og andre følsomme komponenter.

MONTERING AF PLADEDIMENSIONER

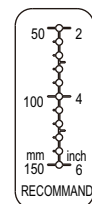
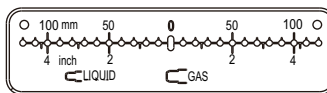
Forskellige modeller har forskellige monteringsplader. For at gøre installationen lettere, er der blevet skåret et vaterpas og dimensioner ind i monteringspladen. Installer venligst pladen og bór hullet i henhold til informationerne på monteringspladen. Se figurerne nedenfor.

Korrekt orientering af monteringspladen



Enhed: mm (tomme)

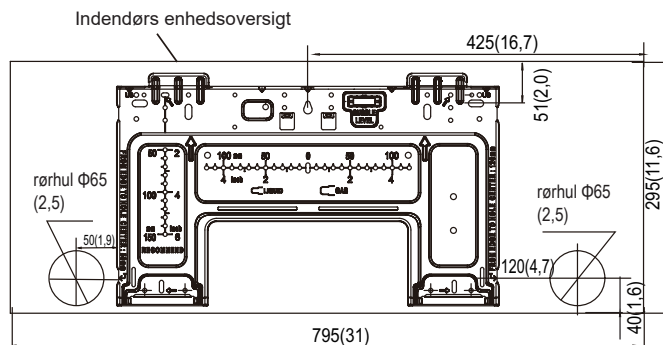
Vandret lineal



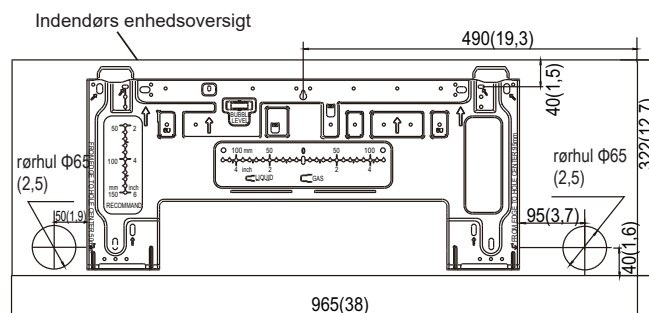
Lodret lineal



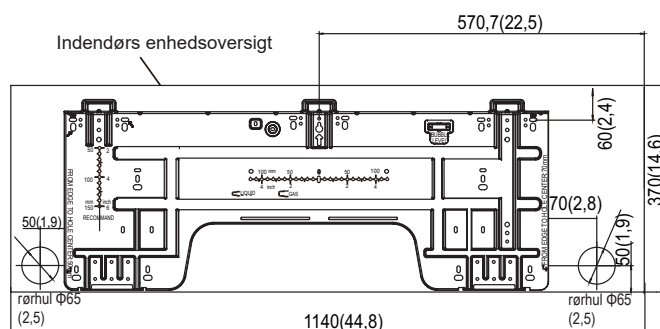
FORSIGTIG: Vaterpasset på monteringspladen kan ikke fjernes. Hvis det er ødelagt, skal du sørge for at rense den lækken væske.



Model A



Model B



Model C

Indendørs
enhedsinstallation

Trin 4: Forbered kølemedierør

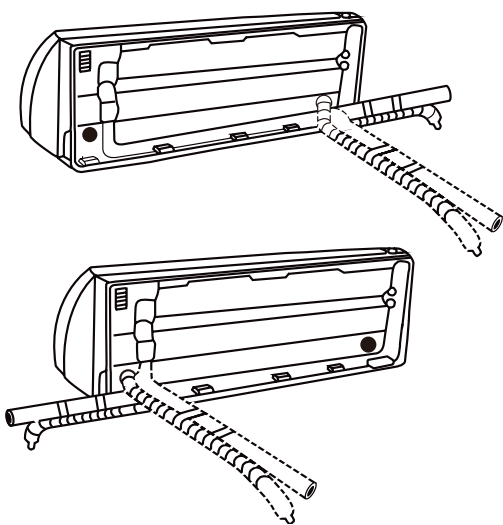
Kølevæskerøret er inde i en isolerende muffe, der er fastgjort på bagsiden af enheden. Du skal forberede rørledningen, før du passerer den gennem hullet i væggen. Se afsnittet om **Kølemidlets Rørforbindelse** i manualen, for detaljerede instruktioner om krav til rørudvidelse og torsionskrav, teknik osv.

BEMÆRK PÅ RØRVINKEL

Kølemiddelrør kan forlade indendørsenheden fra fire forskellige vinkler:

- Venstre side
- Venstre bagende
- Højre side
- Højre bagende

Se **figurerne nedenfor** for detaljer.



BEMÆRK OM RØRTILSLUTNING

- Nogle steder i USA skal et ledningsrør bruges til at tilslutte kablet. For at sikre, at der er tilstrækkelig plads til rørene, og at maskinen står mod væggen efter installationen, anbefales det at fastgøre afløbsslangen i højre side (når du vender mod bagsiden af apparatet).
- Når du vælger rør fra venstre eller højre side, skal du sørge for, at rørene kommer ud vandret for ikke at påvirke installationen af det nederste panel.

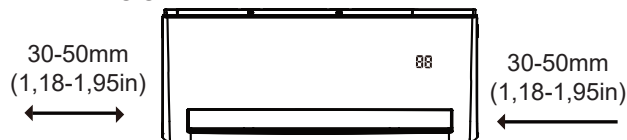
⚠ FORSIGTIG

Vær ekstremt omhyggelig med ikke at sprænge eller beskadige rørledningen, mens du bøjer dem væk fra enheden. Eventuelle buler i rørsystemet vil påvirke enhedens ydelse.

Hvis kølerørene allerede er indstøbt i væggen, skal du gøre følgende:

Trin 1: Fastgør den indendørs enhed på monteringspladen:

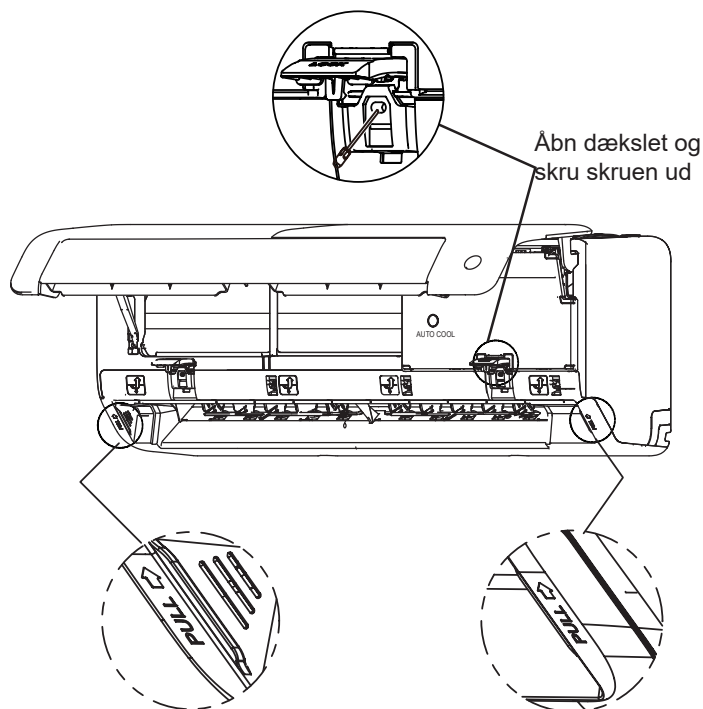
1. Husk, at kroge på monteringspladen er mindre end hullerne på bagsiden af enheden. Hvis du finder ud af, at du ikke har rigelig plads til at forbinde indlejrede rør til den indendørs enhed, kan enheden justeres til venstre eller højre med ca. 30-50 mm (1,18-1,95in), afhængigt af modellen.



Gå til venstre eller højre

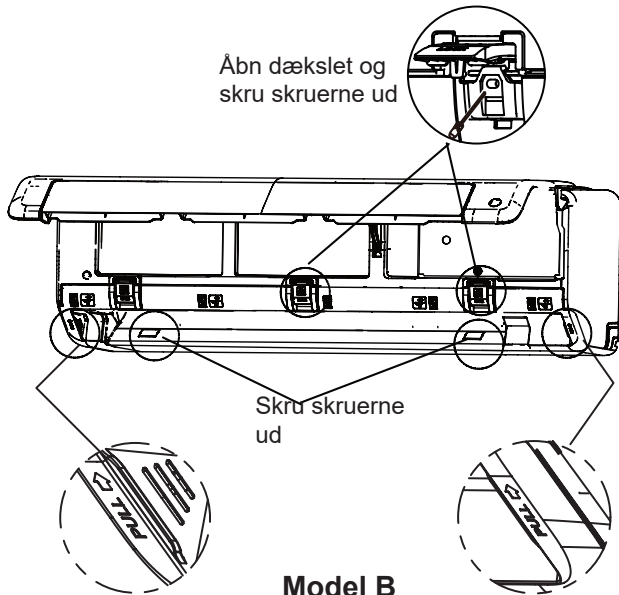
Trin 2: Forbered kølemiddelsrøret:

1. Åbn og fastgør panelet til den ønskede position, åbn derefter dækslerne til de to låseblokke, skru skruen, der er vist på billedet herunder, ud, og hold derefter begge sider af det nederste panel på det sted, der er markeret med "PULL", træk den opad for at frigøre spænderne, og tag derefter det nederste panel ned.



Model A

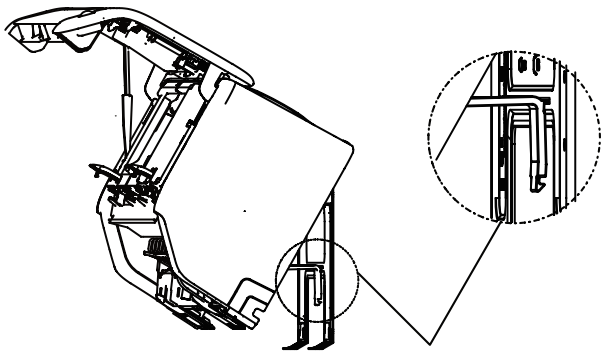
Åbn dækslet og
skru skruerne ud



Skrue skruerne
ud

Model B

2. Brug holderen på bagsiden af enheden til at holde enheden oppe, så du får plads nok til at tilslutte røret til kølemiddel, signalkabel og drænslange.



Brug holderen på bagsiden
af enheden, til at støtte den
op imod monteringspladen.

Trin 3. Tilslut afløbsslangen og kølemidlet rørføring (se afsnittet **Kølemiddelrørtilslutning** i denne manual for at få vejledning).

Trin 4. Hold rørtilslutningspunktet udsat for udføre tæthedsprøven (se **Elektrisk kontrol og lækagekontrol** i denne manual).

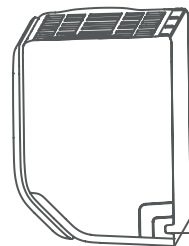
Trin 5. Efter lækketesten skal du tilslutte forbindelsespunktet med isoleringstape.

Trin 6. Fjern beslaget eller kilen, der er fastgjort med isoleringstape.

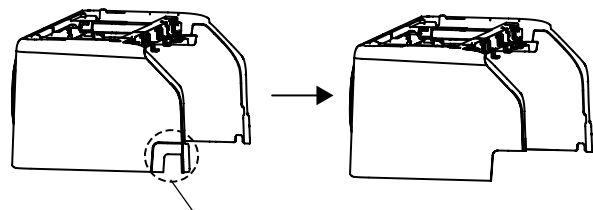
Trin 7. Brug jævnt tryk til at skubbe ned på den nederste halvdel af enheden. Fortsæt med at trykke ned, indtil enheden klikker på kroge langs bunden af monteringspladen.

Hvis der ikke er nogen kølerør indlejret i væggen, skal du gøre følgende:

1. Baseret på placeringen af hullet i væggen, i forhold til monteringspladen, skal du vælge den side, hvor rørene vil forlade enheden.
2. Hvis væghullet er bag enheden, skal du holde knock-out-panelet på plads. Hvis væghullet er på siden af indendørsenheden, skal du fjerne plastikudtagningspanelet fra den side af enheden.
(Se figur nedenfor). Dette vil skabe en slot, gennem hvilken din rørledning kan forlade enheden. Brug nåletænger, hvis plastikpanelet er for svært at fjerne med hånden.



Knock-out-panel (klippet
efter den påkrævede
størrelse)



Hvis det er nødvendigt at skære plastikpanelet ud i en stor størrelse, skal du skære som vist ovenfor.

3. Brug en saks til at skære ned på længden af det isolerende ærme, for at afsløre ca. 40 mm (1,57in) af kølemidlets rør. Dette tjener to formål:
 - At fremme **rørforbindelsen til kølemidlet**.
 - At forenkle **gaslækagekontroller og gøre** det muligt for dig at kontrollere for buler
4. Brug holderen på bagsiden af enheden til at holde enheden oppe, så du får plads nok til at tilslutte røret til kølemiddel, signalkabel og drænslange.
5. Tilslut kølemiddelrørene fra den indendørs enhed til de tilslutningsrør, der skal forbinde den indendørs og den udendørs enhed. Se afsnittet **Kølemidlets Rørforbindelse** i manualen, for detaljerede instruktioner.
6. Baseret på placeringen af hullet i væggen, i forhold til monteringspladen, bestemmes den nødvendige vinkel for dit rør.
7. Tag fat i rørene til kølemidlet ved bunden af hvor den buer.
8. Bøj langsomt, med jævnt pres, rørene mod hullet. **Undgå** at hakke eller beskadige rørene under processen.

Trin 5: Tilslut drænslange

Som standard er afløbsslangen monteret på venstre side af enheden (når du vender mod bagsiden af enheden). Dog kan det også fastgøres til højre side. For at sikre korrekt dræning skal du fastgøre drænslangen på den samme side, som dit kølemediumsledning kommer ud af enheden.

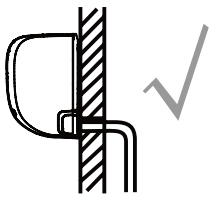
BEMÆRK: Hos nogle steder i USA, hvis maskinen har installeret et panel med rør, skal du vælge afløb i højre side.

- Pak forbindelsespunktet fast med Teflon-tape for at sikre en god tætning og for at forhindre lækager.
- Fjern luftfilteret, og hæld en lille mængde vand i afløbsbakken for at sikre, at vandet løber jævnt ud af apparatet.

! BEMÆRK OM TÆNG AF SLAGSPLACEMENT

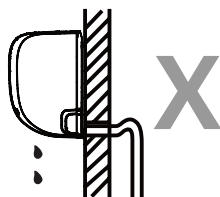
Sørg for at arrangere afløbsslangen i henhold til følgende figurer.

- ⊗ Afløbsslangen må **IKKE** knækkes.
- ⊗ Der må **IKKE** skabes en vandlås.
- ⊗ Sæt **IKKE** enden af afløbsslangen i vand eller i en beholder, der kan samle vand.



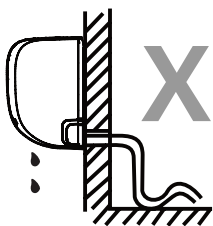
KORREKT

Sørg for, at der ikke er knæk eller sprænge i drænslangen for at sikre korrekt dræning.



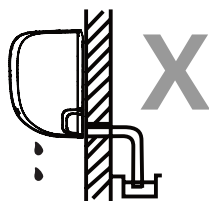
IKKE KORREKT

Kinks i drænslangen skaber vandfælder.



IKKE KORREKT

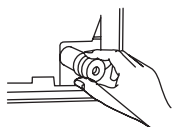
Kinks i drænslangen skaber vandfælder.



IKKE KORREKT

Placer ikke enden af afløbsslangen i vand eller i containere, der opsamler vand. Dette forhindrer korrekt dræning.

PLUG DET UBRUGTE TÆKKEHUL



For at forhindre uønskede lækager skal du tilslutte det ubrugte drænhul med det medfølgende gummiprop.

! FØR DU UDFØRER ELEKTRISK ARBEJDE, SKAL DU LÆSE DISSE BESTEMMELSER

1. Alle ledninger skal være i overensstemmelse med lokale og nationale elektriske koder, forskrifter og skal installeres af en autoriseret elektriker.
2. Alle eltilslutningen skal udføres i overensstemmelse med ledningsdiagrammet, der er anbragt på panelerne på indendørs- og udendørsenhederne.
3. Hvis der er et alvorligt sikkerhedsproblem med strømforsyningen, skal du straks stoppe arbejdet. Forklar din begrundelse for klienten, og nægt at installere enheden, indtil sikkerhedsproblemet er ordentligt løst.
4. Strømspænding skal være inden for 90-110% af nominal spænding. Utilstrækkelig strømforsyning kan forårsage funktionsfejl, elektrisk stød eller brand.
5. Hvis der tilsluttes strøm til faste ledninger, skal der installeres en overspændingsbeskyttelse og en hovedafbryder.
6. Hvis der tilsluttes strøm til fast ledning, skal en kontakt eller en afbryder, der frakobler alle poler og har en kontaktseparation på mindst 1/8in (3 mm) være indbygget i den faste ledning. Den kvalificerede tekniker skal bruge en godkendt afbryder eller switch.
7. Tilslut kun enheden til et individuelt grenstrømodgang. Tilslut ikke et andet apparat til det stik.
8. Sørg for, at klimaanlægget er korrekt jordet.
9. Hver ledning skal være korrekt tilsluttet. Løs ledning kan forårsage, at terminalen overophedes, hvilket kan resultere i produktfejl og mulig brand.
10. Lad ikke ledninger røre eller hvile mod kølemiddelslanger, kompressoren eller bevægelige dele i enheden.
11. Hvis enheden har en elektrisk hjælpevarmer, skal den installeres mindst 1 meter (40in) væk fra brændbare materialer.
12. For at undgå elektrisk stød skal du aldrig røre ved de elektriske komponenter kort efter, at strømforsyningen er slukket. Når du har slukket for strømmen, skal du altid vente 10 minutter eller mere, før du rører ved de elektriske komponenter.



ADVARSEL

FØR DU UDFØRER ELLER ELEKTRISK ELLER WIRING-ARBEJDE, SLÅ HOVEDSKRAFTEN TIL SYSTEMET.

Trin 6: Tilslut signal- og strømkabler

Signalkablet muliggør kommunikation mellem indendørs og udendørs enheder. Du skal først vælge den rigtige kabelstørrelse, før du forbereder det til tilslutning.

Kabeltyper

- **Indendørs strømkabel** (hvis relevant): HH05VV-F eller H05V2V2-F
 - **Udendørs strømkabel:** H07RN-F eller H05RN-F
 - **Signalkabel:** H07RN-F
- BEMÆRK:** I Nordamerika skal du vælge kabeltype i overensstemmelse med de lokale elektriske regler og reguleringer.

Minimum tværsnitsområde for strøm og signalkabler (til reference) (Gælder ikke for Nordamerika)

Apparatets nominelle strøm (A)	Nominelt tværsnitsareal (mm ²)
> 3 og ≤ 6	0,75
> 6 og ≤ 10	1
> 10 og ≤ 16	1,5
> 16 og ≤ 25	2,5
> 25 og ≤ 32	4
> 32 og ≤ 40	6

VÆLG DEN RETTE KABELSTØRRELSE

Størrelsen på strømforsyningskablet, signalkablet, sikringen og kontakten, der er nødvendig, bestemmes af enhedens maksimale strøm. Den maksimale strøm er angivet på typeskiltet placeret på enhedens sidepanel. Se denne navneskilt for at vælge det rigtige kabel, sikring eller switch.

BEMÆRK: I Nordamerika skal du venligst vælge den passende kabelstørrelse i overensstemmelse med den minimale kredsløb ampacitet, som er angivet på enhedens typeskilt.

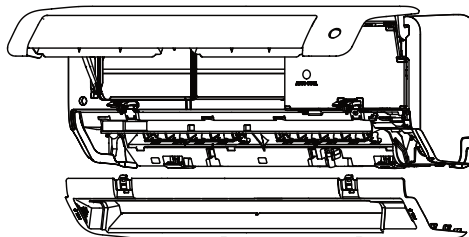
1. Åbn og fastgør panelets position, åbn derefter dækslerne på de to låseblokke, skru skruen af, hold derefter begge sider af det nederste panel på det sted, der er markeret med "PULL", træk det opad for at frigøre spænderne, og tag derefter det nederste panel ned (se side 22-23).
2. Åbn dækslet til ledningsboksen for at tilslutte kablet.
3. Skru kabelklemmen under klemmen af, og læg den til side.

4. Vender mod bagsiden af enheden, fjern plastpanelet på nederste venstre side.

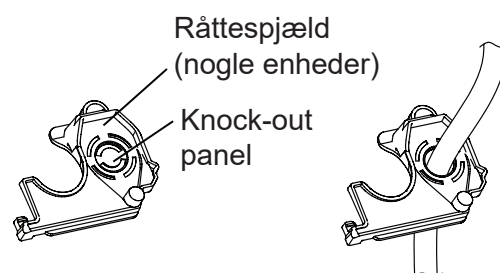
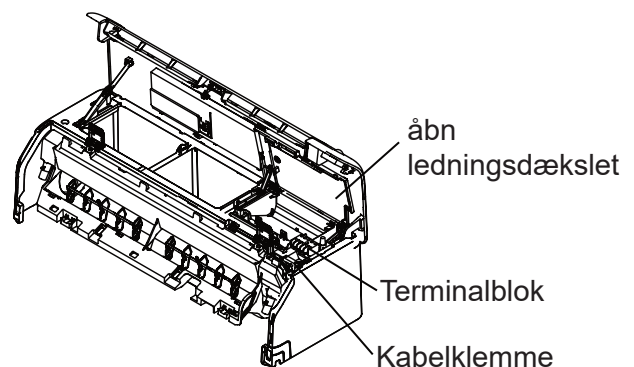
ADVARSEL

ALLE KABLE SKAL UD FØRES STRENGT I OVERENSSTEMMELSE MED DET LEDNINGSDIAGRAM, DER ER PLACERET PÅ BAGSIDEN AF INDENDØRSENHEDENS FRONTPANEL.

5. Før signalledningen gennem denne åbning, fra bagsiden af enheden til fronten.
6. Vender mod fronten af enheden, tilslut ledningen i henhold til indendørsenhedens ledningsdiagram, tilslut u-knasten og skru fast hver tråd til dens tilsvarende terminal.



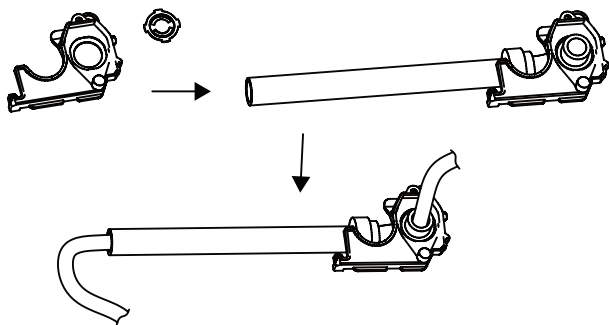
Åbn først frontpanelet, fjern derefter det nederste panel.



BEMÆRK: Hvis kablet er for stort, skal du fjerne det midterste lille udslagspanel af plastik for at skabe en slids, hvorigennem kablet kan komme ud. Hvis du ønsker at fjerne chassiset eller afløbsslangen, skal du først fjerne rotteafskærmningen.

I Nordamerika

Fjern først udtagningen for at skabe en åbning, hvor ledningsslangen kan monteres. Før derefter kablet gennem ledningsrøret og tilslut til den indendørs enhed.



! FORSIGTIG

BLAND IKKE LEVENDE OG NULLE TRÅDER

Dette er farligt og kan forårsage funktionsfejl i klimaanlægget.

- Efter kontrol for at sikre, at enhver forbindelse er sikker, skal du bruge kabelklemmen til at fastgøre signalkablet til enheden. Skru kabelklemmen tæt ned.
- Sæt ledningsdækslet foran på enheden og plastpanelet bagpå.

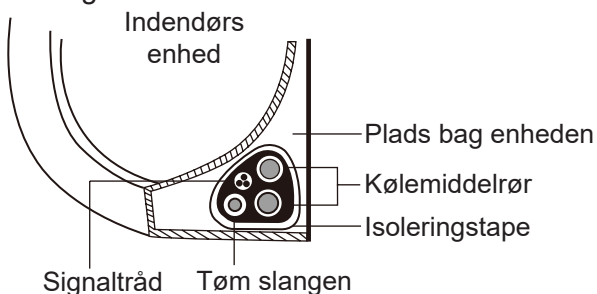
! BEMÆRK OM WIRING

PROSESSEN FOR KOBLET TILSLUTNING KAN FORVENTE LETT MELLEMLER ENHEDER OG REGIONER.

Trin 7: Indpakning og kabler

Inden du kører rørledningen, dræneslangen og signalkablet gennem væghullet, skal du bundte dem sammen for at spare plads, beskytte dem og isolere dem (Dette er muligvis ikke relevant for nogle områder i USA).

- Bundt dræneslangen, kølemiddelrørene og signalkablet som vist nedenfor:



TØRRERSLANG SKAL VÆRE PÅ BOTTOM

Sørg for, at dræneslangen er i bunden af bundtet. Hvis du placerer afløbsslangen øverst i bundtet, kan det medføre, at afløbskassen oversvømmes, hvilket kan føre til ild eller vandskade.

INTERVINE IKKE SIGNALKABEL MED ANDRE TRÅDER

Når du bundter disse emner sammen, skal du ikke flette sammen eller krydse signalkablet med andre ledninger.

- Ved hjælp af klæbende vinyltape fastgøres dræneslangen til undersiden af kølemiddelrørene.
- Brug isoleringstape til at indvikle signaltråden, kølemiddelrørene og tøm slangen tæt sammen. Dobbeltkontrol, at alle elementer er samlet.

INDHOLD IKKE SLUTT PÅ RØRNING

Når du pakker bundtet, skal du holde enderne af rørledningen uindpakket. Du skal have adgang til dem for at teste for utætheder i slutningen af installationsprocessen (se afsnittet **Elektrisk Kontrol Og Kontrol** af utætheder i denne manual)

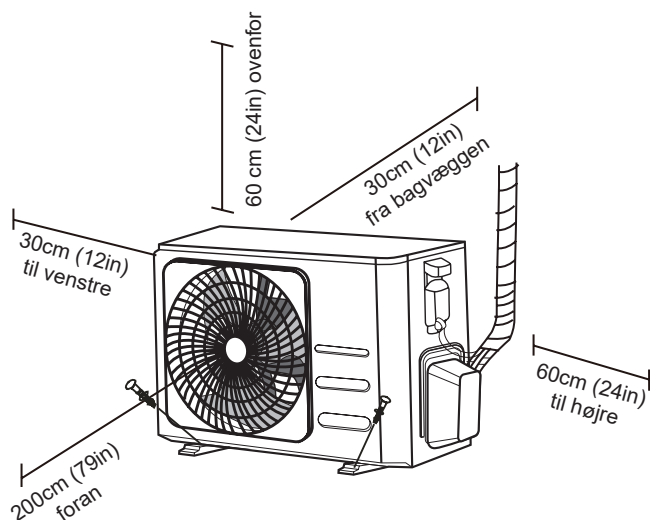
Trin 8: Monter indendørsenheden

Hvis du har installeret nye tilslutningsrør til den udendørs enhed, skal du gøre følgende:

- Hvis du allerede har passeret kølemiddelrør gennem hullet i væggen, skal du fortsætte til trin 4.
- Ellers skal du tjekke, at enderne af kølemiddelrørene er forseglet for at forhindre snavs eller fremmed materiale i at komme ind i rørene.
- Før langsomt det indpakket bundt af kølemiddelrør, dræningsslange og signaltråd gennem hullet i væggen.
- Hæng toppen af indendørsenheden på den øverste krog på monteringspladen.
- Kontroller, at enheden sidder fast på monteringen ved at lægge let pres på enhedens venstre og højre side. Enheden skal ikke vride eller skifte.
- Brug jævnt tryk til at skubbe ned på den nederste halvdel af enheden. Fortsæt med at trykke ned, indtil enheden klikker på kroge langs bunden af monteringspladen.
- Kontroller igen, at enheden er korrekt monteret ved at lægge et let pres på venstre og højre side af enheden.

Udendørs enhedsinstallation

Installer enheden ved at følge lokale koder og forskrifter, der kan være lidt forskel mellem forskellige regioner.



Installationsvejledning - Udendørsenhed

Trin 1: Vælg installationsplacering

Før du installerer udendørsenheden, skal du vælge et passende sted. Følgende er standarder, der hjælper dig med at vælge et passende sted til enheden.

Korrekte installationspladser opfylder følgende standarder:

- Opfylder alle rumlige krav vist i kravene til installationsplads ovenfor.
- God luftcirkulation og ventilation
- Fast og solid - placeringen kan understøtte enheden og vil ikke vibrere
- Støj fra enheden vil ikke forstyrre andre
- Beskyttet mod langvarige perioder med direkte sollys eller regn
- Hvis der forventes snefald, skal du foretage de nødvendige foranstaltninger for at forhindre isdannelse og skader på spolen.

Du må **IKKE** installere enheden på følgende steder:

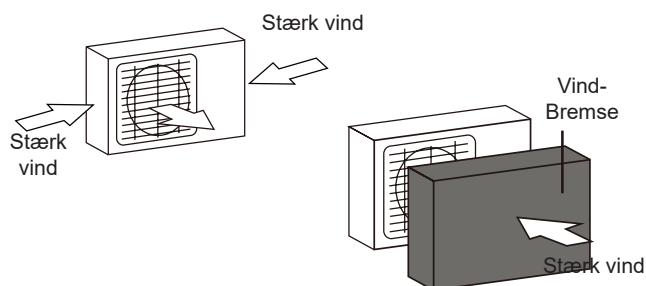
- ⊘ I nærheden af en forhindring, der blokerer for ind- og udluftning
- ⊘ I nærheden af en offentlig gade, overfyldte områder, eller hvor støj fra enheden vil forstyrre andre
- ⊘ I nærheden af dyr eller planter, der vil blive skadet af varm luftudladning
- ⊘ I nærheden af enhver kilde til varme, damp eller brændbar gas
- ⊘ I nærheden af enhver kilde til brændbar gas På et sted, der er udsat for store mængder støv
- ⊘ I et sted udsat for store mængder salt luft

SÆRLIGE BETINGELSER TIL EKSTERN VÆDER

Hvis enheden er udsat for kraftig vind:

Installer enheden, så luftudløbsventilatoren er i en 90 ° vinkel i forhold til vindens retning. Om nødvendigt skal du opbygge en barriere foran enheden for at beskytte den mod ekstremt kraftig vind.

Se figurerne nedenfor.



Hvis enheden ofte udsættes for kraftig regn eller sne:

Byg et hus over enheden for at beskytte den mod regn eller sne. Sørg for ikke at blokere luftstrømmen omkring enheden.

Hvis enheden ofte udsættes for salt luft (havet):

Brug udendørs enhed, der er specielt designet til at modstå korrosion.

Trin 2: Installer drænled (kun varmepumpeenhed)

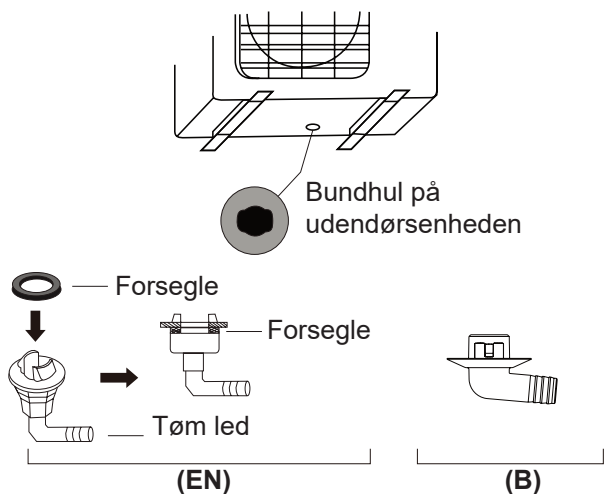
Før du udbolter den udendørs enhed på plads, skal du installere drænledet i bunden af enheden. Bemærk, at der findes to forskellige typer af afløbssamlinger afhængigt af typen af udendørs enhed.

Hvis afløbsforbindelsen er forsynet med en gummipakning (se fig. A), skal du gøre følgende:

1. Monter gummipakningen på enden af afløbsfugen, der slutter til udendørsenheden.
2. Indsæt drænledet i hullet i enhedens bundplade.
3. Drej afløbsfugen 90°, indtil den klikker på plads mod fronten af enheden.
4. Tilslut en dræningsslangeforlængelse (ikke inkluderet) til drænledet for at omdirigere vand fra enheden under opvarmningstilstand.

Hvis afløbsforbindelsen ikke leveres med en gummipakning (se fig. B), skal du gøre følgende:

1. Indsæt drænledet i hullet i enhedens bundplade. Afløbsfugen klikker på plads.
2. Tilslut en dræningsslangeforlængelse (ikke inkluderet) til drænledet for at omdirigere vand fra enheden under opvarmningstilstand.

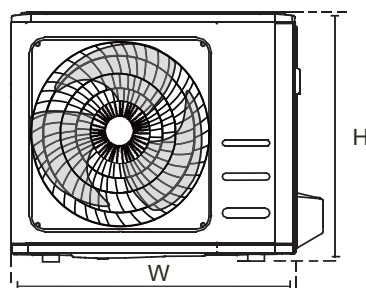
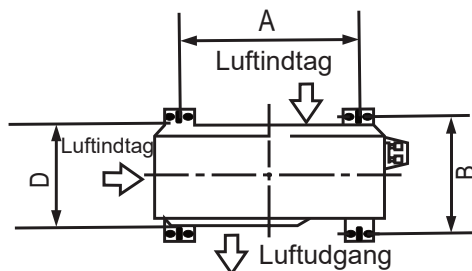


Trin 3: Anker udendørs enhed

Udendørsenheden kan forankres til jorden eller på et vægmonteret beslag med bolt (M10). Forbered enhedens installationsbase i henhold til nedenstående dimensioner.

ENHEDER MONTERINGSDIMENSIONER

Følgende er en liste over forskellige udendørsenhedsstørrelser og afstanden mellem deres monteringsfødder. Forbered enhedens installationsbase i henhold til nedenstående dimensioner.



! I KALDE KLIMATER

I kolde klimaer skal du sørge for, at drænslangen er så lodret som muligt for at sikre hurtigt vandafløb. Hvis vandet løber for langsomt ud, kan det fryse fast i slangen og oversvømme apparatet.

Udendørs enhedsmål (mm) W × H × D	Monteringsmål	
	Afstand A (mm)	Afstand B (mm)
681x434x285 (26,8"x 17,1"x 11,2")	460 (18,1")	292 (11,5")
700x550x270 (27,5"x 21,6"x 10,6")	450 (17,7")	260 (10,2")
700x550x275 (27,5"x 21,6"x 10,8")	450 (17,7")	260 (10,2")
720x495x270 (28,3"x 19,5"x 10,6")	452 (17,8")	255 (10,0")
728x555x300 (28,7"x 21,8"x 11,8")	452 (17,8")	302(11,9")
765x555x303 (30,1"x 21,8"x 11,9")	452 (17,8")	286(11,3")
770x555x300 (30,3"x 21,8"x 11,8")	487 (19,2")	298 (11,7")
805x554x330 (31,7"x 21,8"x 12,9")	511 (20,1")	317 (12,5")
800x554x333 (31,5"x 21,8"x 13,1")	514 (20,2")	340 (13,4")
845x702x363 (33,3"x 27,6"x 14,3")	540 (21,3")	350 (13,8")
890x673x342 (35,0"x 26,5"x 13,5")	663 (26,1")	354 (13,9")
946x810x420 (37,2"x 31,9"x 16,5")	673 (26,5")	403 (15,9")
946x810x410 (37,2"x 31,9"x 16,1")	673 (26,5")	403 (15,9")

Hvis du skal installere enheden på jorden eller på en monteringsplatform af beton, skal du gøre følgende:

1. Marker positionerne for fire ekspansionsbolte baseret på målkort.
2. Forbor huller til ekspansionsbolte.
3. Placer en møtrik på enden af hver ekspansionsbolt.
4. Udvidelsesbolte til hammer i de forborede huller.
5. Fjern møtrikkerne fra ekspansionsboltene, og placer udendørsenheden på bolte.
6. Sæt skive på hver ekspansionsbolt, og udskift derefter møtrikkerne.
7. Brug en skruenøgle til at stramme hver møtrik, indtil den sidder godt fast.



ADVARSEL

NÅR BORNING I KONKRETE ANBEFALES ØJEBESKYTTELSE PÅ ALLE TIDER.

Hvis du vil installere enheden på et vægmonteret beslag, skal du gøre følgende:



FORSIGTIG

Sørg for, at væggen er lavet af massiv mursten, beton eller af lignende stærkt materiale. **Væggen skal kunne understøtte mindst fire gange enhedens vægt.**

1. Marker beslagets huller på baggrund af målkortet.
2. Forbor hullerne til ekspansionsboltene.
3. Sæt en skive og møtrik på enden af hver ekspansionsbolt.
4. Skru ekspansionsbolte gennem hullerne i monteringsbeslagene, sæt monteringsbeslagene på plads, og bank ekspansionsboltene ind i væggen med hammeren.
5. Kontroller, at monteringsbeslagene er vandrette.
6. Løft forsigtigt enheden, og sæt dens monteringsfødder på beslagene.
7. Skru enheden fast til beslagene.
8. Hvis det er tilladt, skal enheden monteres med gummipakninger for at reducere vibrationer og støj.

Trin 4: Tilslut signal- og strømkabler

Den ydre enheds terminalblok er beskyttet af et elektrisk ledningsdæksel på siden af enheden. Et omfattende ledningsdiagram udskrives på indersiden af ledningsdækslet.

ADVARSEL

FØR DU UDFØRER ELLER ELEKTRISK ELLER WIRING-ARBEJDE, SLÅ HOVEDSKRAFTEN TIL SYSTEMET.

1. Forbered kablet til tilslutning:

BRUG HØJRE KABEL

Vælg det rigtige kabel, jf. "Kabeltyper" på side 25.

VÆLG DEN RETTE KABELSTØRRELSE

Størrelsen på strømforsyningskablet, signalkablet, sikringen og kontakten, der er nødvendig, bestemmes af enhedens maksimale strøm. Den maksimale strøm er angivet på typeskiltet placeret på enhedens sidepanel.

BEMÆRK: I Nordamerika skal du venligst vælge den passende kabelstørrelse i overensstemmelse med den minimale kredsløb ampacitet, som er angivet på enhedens typeskilt.

- a. Brug trådstrimler til at stemple gummikappen fra begge ender af kablet for at afsløre ca. 40 mm (1,57in) af ledningerne inde.
- b. Afisolér begge ender.
- c. Brug en kabelpreser til at klemme u-propper på enderne af ledningerne.

BETAL ATTENTION TIL LIVE WIRE

Når du krymper ledninger, skal du sørge for klart at skelne Live ("L") -tråden fra andre ledninger.

ADVARSEL

ALT ledningsarbejde skal udføres strengt i overensstemmelse med det ledningsdiagram, der er placeret inden for ledningsdækning til den udendørs enhed.

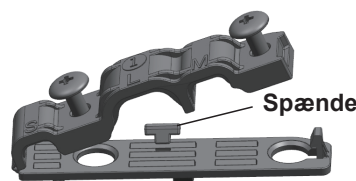
2. Skru det elektriske ledningsdæksel af, og fjern det.
3. Skru kabelklemmen under klemmen af, og læg den til side.
4. Tilslut ledningen i henhold til ledningsdiagrammet, og skru fast ledningen på hver ledning til dens tilsvarende terminal.
5. Efter at have kontrolleret for at sikre, at enhver forbindelse er sikker, skal du trække ledningerne rundt for at forhindre regnvand i at strømme ind i terminalen.
6. Fastgør kablet til enheden ved hjælp af kabelklemmen. Skru kabelklemmen tæt ned.
7. Isolér ubrugte ledninger med elektrisk PVC-tape. Arranger dem, så de ikke berører

elektriske eller metaldele.

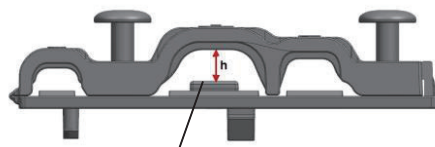
8. Sæt ledningsdækslet på siden af enheden tilbage, og skru det på plads.



BEMÆRK: Hvis kabelklemmen ser ud som nedenfor, skal du vælge det passende gennemgående hul i overensstemmelse med ledningens diameter.



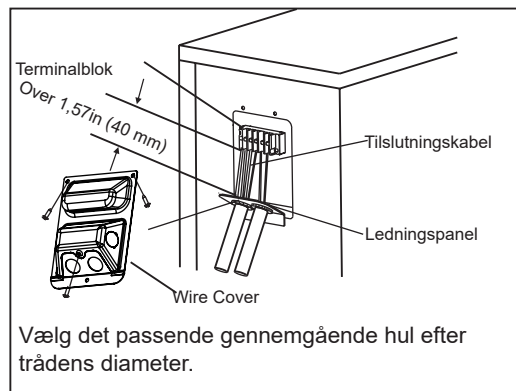
Tre størrelser hul: Tre størrelser af hul:



Når kalven ikke er fast nok, skal du bruge spændet til at støtte den op, så den kan spændes fast.

I Nordamerika

1. Fjern tråddækslet fra enheden ved at løsne de 3 skruer.
2. Afmonter hætter på ledningspanelet.
3. Montér ledningsrørene (ikke inkluderet) på rørpanelet.
4. Tilslut både strømforsyningen og lavspændingsledningerne korrekt til de tilsvarende klemmer på klemrækkefølgen.
5. Jordforbind enheden i overensstemmelse med de lokale regler.
6. Sørg for at størrelsen på hver ledning tillader flere inches længere end den krævede længde til ledningsføring.
7. Brug låsemøtrikker til at fastgøre ledningsrørene.



Kølemiddelrørforbindelse

Når du tilslutter kølemiddelrørene, må du **ikke** lade andre stoffer eller gasser end det specificerede kølemiddel komme ind i enheden. Tilstedeværelsen af andre gasser eller stoffer vil sænke enhedens kapacitet og kan forårsage unormalt højt tryk i køleskabet. Dette kan forårsage eksplosion og personskade.

Bemærk om rørlængde

Længden af kølemiddelrørene har indflydelse på enhedens ydeevne og energieffektivitet. Nominel effektivitet er testet på enheder med en rørlængde på 5 meter (16,5 fod) (I Nordamerika er standardrørlængden 7,5 meter (25')). Der kræves en rørføring på mindst 3 meter for at minimere vibrationer og overdreven støj. I et specielt tropisk område, til R290-kølemiddelmodellerne, kan der ikke tilføjes noget kølemedium, og den maksimale længde af kølemiddelrør må ikke overstige 10 meter (32,8ft).

Se nedenstående tabel for specifikationer om den maksimale længde og faldhøjde for rørledninger.

Maksimal længde og faldhøjde på kølemiddelrør pr. Enhedsmodel

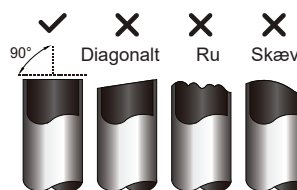
Model	Kapacitet (BTU / h)	Maks. Længde (m)	Maks. Drop Højde (m)
R410A, R32 inverter split klimaanlæg	< 15,000	25 (82ft)	10 (33ft)
	≥ 15,000 og <24,000	30 (98,5ft)	20 (66ft)
	≥ 24,000 og <36,000	50 (164ft)	25 (82ft)
R22 Klimaanlæg med fast hastighed	< 18,000	10 (33ft)	5 (16ft)
	≥ 18,000 og <21,000	15 (49ft)	8(26ft)
	≥ 21,000 og <35,000	20 (66ft)	10(33ft)
R410A, R32 Fast hastighed, split klimaanlæg	< 18,000	20 (66ft)	8(26ft)
	≥ 18,000 og <36,000	25 (82ft)	10(33ft)

Tilslutningsinstruktioner - Rørlledning til kølemiddel

Trin 1: Skær rør

Når du tilbereder kølemedierør, skal du være ekstra forsigtig med at skære og blusse dem ordentligt. Dette vil sikre effektiv drift og minimere behovet for fremtidig vedligeholdelse.

1. Mål afstanden mellem indendørs og udendørs enheder.
2. Brug en rørskærer til at skære røret lidt længere end den målte afstand.
3. Sørg for, at røret er skåret i en perfekt 90° vinkel.



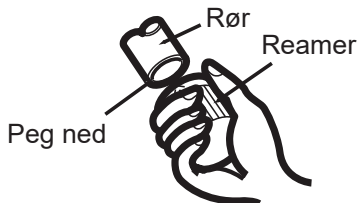
DEFORMER IKKE RØRET MENS DU SKÆRER

Vær ekstra forsigtig med ikke at beskadige, sprænge eller deformere røret, mens du skærer. Dette vil drastisk reducere enhedens opvarmningseffektivitet.

Trin 2: Fjern burrs

Burrs kan påvirke den lufttætte tætning af kølemediets rørforbindelse. De skal fjernes helt.

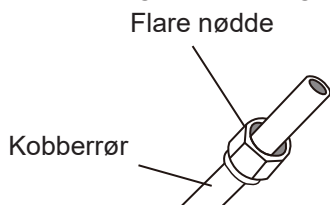
1. Hold røret i en vinkel nedad for at forhindre, at der springer ned i røret.
2. Fjern alle ujævnheder fra den afskårne del af røret ved hjælp af en fræser eller et afgratningsværktøj.



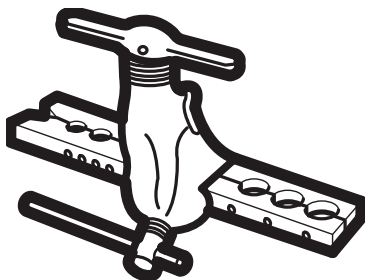
Trin 3: Flare rørender

Korrekt afbrænding er afgørende for at opnå en lufttæt forsegling.

1. Når du har fjernet burrerne fra det afskårne rør, skal du forsegle enderne med PVC-tape for at forhindre, at fremmedlegemer kommer ind i røret.
2. Hyls røret med isolerende materiale.
3. Anbring fakkelmøtrikker i begge ender af røret. Sørg for, at de vender i den rigtige retning, fordi du ikke kan sætte dem på eller ændre deres retning efter falking.

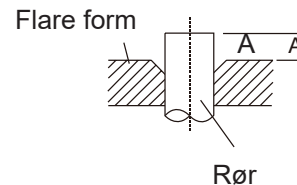


4. Fjern PVC-tape fra rørenderne, når du er klar til at udføre fakkelarbejde.
5. Klem blændingsform på rørets ende. Rørets ende skal strække sig ud over kanten af flammeformen i overensstemmelse med målene vist i nedenstående tabel.



Rørledningsforlængelse ud over blændeform

Udvendig diameter på røret (mm)	A (mm)	
	Min.	Maks.
Ø 6,35 (Ø 0,25")	0,7 (0,0275")	1,3 (0,05")
Ø 9,52 (Ø 0,375")	1,0 (0,04")	1,6 (0,063")
Ø 12,7 (Ø 0,5")	1,0 (0,04")	1,8 (0,07")
Ø 16 (Ø 0,63")	2,0 (0,078")	2,2 (0,086")
Ø 19 (Ø 0,75")	2,0 (0,078")	2,4 (0,094")



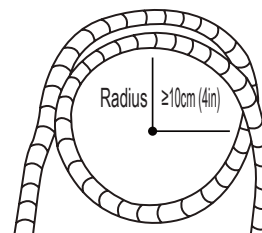
6. Placer fakkelværktøjet på formen.
7. Drej håndtaget på brændings-værktøjet med uret, indtil røret er helt udvidet.
8. Fjern flaringværktøjet og flareformen, og inspicer derefter rørets ende for revner og jævn udvidelse.

Trin 4: Tilslut rør

Når du tilslutter kølemediør, skal du passe på ikke at bruge for stort drejningsmoment eller at deformere rørledningen på nogen måde. Du skal først tilslutte lavtryksrøret og derefter højtryksrøret.

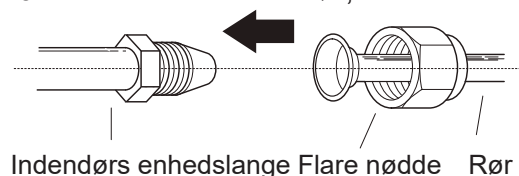
MINIMUM BEND RADIUS

Ved bøjning af koblingsrør med bindemiddel er minimum bøjningsradius 10 cm.

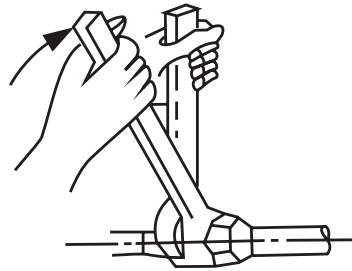


Instruktioner til tilslutning af rør til indendørsenheden

1. Juster midten af de to rør, som du vil forbinde.



- Spænd fakkelmøtrikken så tæt som muligt med hånden.
- Tag fat i møtrikken på enhedens slange med en skruenøgle.
- Mens du holder godt fast i møtrikken på enhedens slange, skal du bruge en momentnøgle til at spænde flare-møtrikken i henhold til momentværdierne i tabellen **Momentkrav** nedenfor. Løsn den fakkelmøtrik lidt, og stram derefter igen.



KRAV TORQUE

Udvendig diameter på røret (mm)	Tilspændingsmoment (N • m)	Flare-dimension (B) (mm)	Flare-form
Ø 6,35 (Ø 0,25")	18~20(180~200kgf.cm)	8,4~8,7 (0,33~0,34")	
Ø 9,52 (Ø 0,375")	32~39(320~390kgf.cm)	13,2~13,5 (0,52~0,53")	
Ø 12,7 (Ø 0,5")	49~59(490~590kgf.cm)	16,2~16,5 (0,64~0,65")	
Ø 16 (Ø 0,63")	57~71(570~710kgf.cm)	19,2~19,7 (0,76~0,78")	
Ø 19 (Ø 0,75")	67~101(670~1010kgf.cm)	23,2~23,7 (0,91~0,93")	

BRUG IKKE UDTRYKKENDE TORQUE

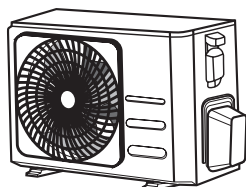
Overdreven kraft kan ødelægge møtrikken eller beskadige kølemediets rør. Du må ikke overskride drejningsmomentkravene vist i tabellen ovenfor.

Instruktioner til tilslutning af rør til udendørs enhed

- Skrud dækslet ud af den pakkede ventil på siden af udendørsenheden.
- Fjern beskyttelseshætterne fra ventilenes ender.
- Juster den udvidede rørende med hver ventil, og stram den udvidede møtrik så stramt som muligt med hånden.
- Tag fat i ventilens krop ved hjælp af en skruenøgle. Tag ikke fat i møtrikken, der lukker serviceventilen.
- Løsn den fakkelmøtrik lidt, og stram derefter igen.
- Gentag trin 3 til 6 for det resterende rør.

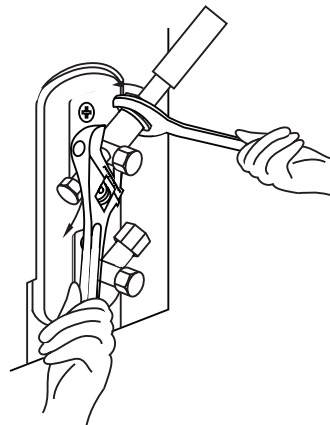
BRUG SPANNER FOR AT GRIP HOVEDVENTILKROPPEN

Drejningsmoment fra stramning af fakkelmøtrikken kan slå andre dele af ventilen af.



Ventildæksel

- Når du holder fast i ventilens krop, skal du bruge en momentnøgle til at stramme fakkelmøtrikken i henhold til de korrekte momentværdier.



Luft evakuering

Forberedelser og forsigtighedsregler

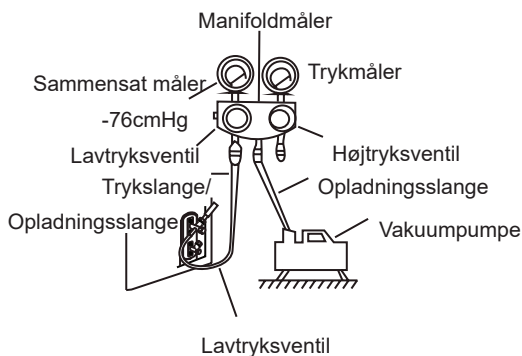
Luft og fremmedlegemer i kølemiddelskredsløbet kan forårsage unormale stigninger i tryk, hvilket kan beskadige klima anlægget, reducere dets effektivitet og forårsage personskade. Brug en vakuumpumpe og manifoldmåler til at evakuere kølemiddelskredsløbet ved at fjerne al ikke-kondenserbar gas og fugt fra systemet. Evakuering skal udføres ved den første installation og når enheden flyttes.

FØR PERFORMANCE EVACUATION

- Kontroller, at forbindelsesrørene mellem indendørs og udendørs enheder er korrekt tilsluttet.
- Kontroller, at alle ledninger er tilsluttet korrekt.

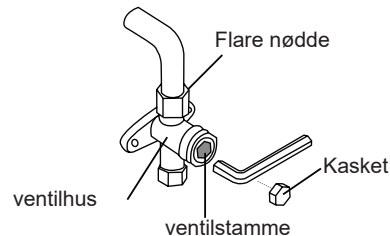
Instruktioner til evakuering

1. Tilslut manifoldmålerens opladningsslange til serviceporten på udendørsenhedens lavtryksventil.
2. Tilslut en anden opladningsslange fra manifoldmåleren til vakuumpumpen.
3. Åbn lavtrykssiden af manifoldmåleren. Hold højtrykssiden lukket.
4. Tænd for vakuumpumpen for at evakuere systemet.
5. Lad vakuummetret køre i mindst 15 minutter, eller indtil måleren viser -76 cmHg (-10^5 Pa).



6. Luk lavtrykssiden af manifoldmåleren, og sluk vakuumpumpen.
7. Vent i 5 minutter, og kontrollér derefter, at der ikke er sket nogen ændring i systemtrykket.

8. Hvis der er en ændring i systemtrykket, henvises til afsnit om gaslækage for information om, hvordan der kontrolleres for lækager. Hvis systemtrykket ikke ændres, skrues dækslet af fra den pakkede ventil (højtryksventil).
9. Indsæt sekskantet skruenøgle i den pakkede ventil (højtryksventil), og åbn ventilen ved at dreje skruenøglen i en $1/4$ drej mod uret. Lyt efter gas for at forlade systemet, og luk derefter ventilen efter 5 sekunder.
10. Se trykmåleren i et minut for at sikre dig, at der ikke er nogen ændring i trykket. Trykmåleren skal læse lidt højere end atmosfæretrykket.
11. Fjern ladingsslangen fra serviceporten.



12. Brug sekskantnøgle til at åbne både højtryks- og lavtryksventiler helt.
13. Spænd ventilhætterne på alle tre ventiler (serviceport, højt tryk, lavt tryk) med hånden. Du kan stramme den yderligere ved hjælp af en momentnøgle, hvis nødvendigt.

! ÅBNE VENTILSTEMMER GENTLIG

Når man åbner ventilstænglerne, skal man dreje den sekskantede skruenøgle, indtil den rammer proppen. Forsøg ikke at tvinge ventilen til at åbne yderligere.

Bemærk om tilføjelse af kølemiddel

Nogle systemer kræver ekstra opladning afhængigt af rørlængder. Standard rørlængde varierer i henhold til lokale regler. For eksempel i Nordamerika er standardrørlængden 7,5 m (25 '). I andre områder er standardrørlængden 5 m (16 '). Kølemediet skal oplades fra serviceporten på udendørsenhedens lavtryksventil. Det ekstra kølemedium, der skal oplades, kan beregnes ved hjælp af følgende formel:

YDERLIGERE Kølemiddel pr. Rørlængde

Koblings rørlængde (m)	Luftrensning metode	Ekstra kølemiddel	
≤ Standard rørlængde	Vakuumpumpe	N/A	
> Standard rørlængde	Vakuumpumpe	Flydende side: Ø 6,35 (Ø 0,25 ") R32: (Rørlængde - standardlængde) x 12g/m (Rørlængde - standardlængde) x 0,13oZ/ ft R290: (Rørlængde - standardlængde) x 10g/m (Rørlængde - standardlængde) x 0,10oZ/ ft R410A: (Rørlængde - standardlængde) x 15g/m (Rørlængde - standardlængde) x 0,16oZ/ ft R22: (Rørlængde - standardlængde) x 20g/m (Rørlængde - standardlængde) x 0,21oZ/ ft	Flydende side: Ø 9,52 (Ø 0,375 ") R32: (Rørlængde - standardlængde) x 24g/m (Rørlængde - standardlængde) x 0,26 oZ/ ft R290: (Rørlængde - standardlængde) x 18g/m (Rørlængde - standardlængde) x 0,19oZ/ ft R410A: (Rørlængde - standardlængde) x 30g/m (Rørlængde - standardlængde) x 0,32 oZ/ ft R22: (Rørlængde - standardlængde) x 40g/m (Rørlængde - standardlængde) x 0,42 oZ/ ft

For R290-kølemedieenhed er den samlede mængde kølemedium, der skal oplades, ikke mere end: 387g(≤9000Btu/h), 447g(>9000Btu/h og ≤12000Btu/h), 547g(>12000Btu/h og ≤18000Btu/h), 632g(>18000Btu/h og ≤24000Btu/h).

 **FORSIGTIG** Bland IKKE kølemiddelstyper.

Elektrisk og gas lækagecheck

Før testkørsel

Udfør først test, når du har gennemført følgende trin:

- **Kontrol af elektrisk sikkerhed** - Bekræft, at enhedens elektriske system er sikkert og fungerer korrekt
- **Kontrol af gaslækage** – Kontroller alle flare møtrikforbindelser og bekræft, at systemet ikke er utæt
- Bekræft, at ventiler til gas og væske (højt og lavt tryk) er helt åbne

Elektrisk sikkerhedskontrol

Efter installationen skal du kontrollere, at alle elektriske ledninger er installeret i overensstemmelse med de lokale og nationale bestemmelser og i henhold til installationsvejledningen.

FØR TEST KØR

Kontroller jordforbindelse

Mål jordingsmodstand ved visuel detektion og med jordingsmodstandstester. Jordmodstand skal være mindre end 0,1Ω.

Bemærk: Dette er muligvis ikke nødvendigt for nogle placeringer i Nordamerika.

UNDER TESTLØB

Kontroller for elektrisk lækage

Under testen skal du bruge en elektro-sonde og et multimeter til at udføre en omfattende elektrisk **tæthedstest**.

Hvis der konstateres elektrisk lækage, skal du straks slukke for apparatet og tilkalde en autoriseret elektriker for at finde og afhjælpe årsagen til lækagen.

Bemærk: Dette er muligvis ikke nødvendigt for nogle placeringer i Nordamerika.

⚠ ADVARSEL - RISIKO FOR ELEKTRISK STØD

ALLE kabler skal være i overensstemmelse med lokale og nationale elektriske koder, og skal installeres af en licenseret elektriker.

Kontroller af gaslækage

Der er to forskellige metoder til at kontrollere for gaslækager.

Sæbe- og vandmetode

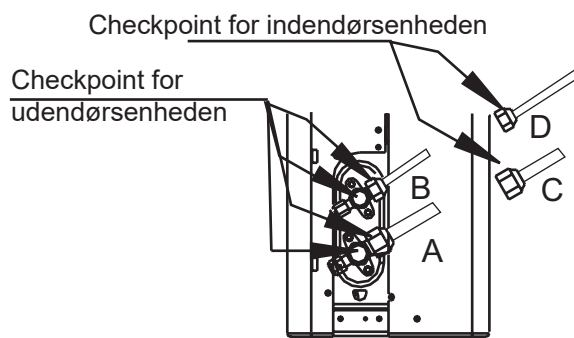
Brug en blød børste, anvend sæbevand eller flydende vaskemiddel på alle rørforbindelsespunkter på indendørsenheden og udendørsenheden. Tilstedeværelsen af bobler indikerer en lækage.

Lækagedetektormetode

Hvis du bruger lækagedetektor, skal du se enhedens betjeningsvejledning for korrekt brugsanvisning.

EFTER UDFØRELSE AF GASLÆKEKONTROL

Når du har bekræftet, at alle rørforbindelsespunkterne IKKE er utætte, skal du sætte ventildækslet på den udvendige enhed på igen.



- A: Lav press stopventil
- B: Højtryks stopventil
- C & D: Indendørsenhedens blussemøtrikker

Test løb

Instruktioner til testkørsel

Du bør udføre **testen** i mindst 30 minutter.

1. Tilslut strøm til enheden.
2. Tryk på **ON/OFF**-knappen på fjernbetjeningen for at tænde for den.
3. Tryk på knappen **MODE** for at rulle gennem følgende funktioner, en ad gangen:
 - COOL - Vælg lavest mulig temperatur
 - HEAT - Vælg den højest mulige temperatur
4. Lad hver funktion køre i 5 minutter, og udfør følgende kontroller:

Liste over kontroller, der skal udføres	BESTÅ / IKKE-BESTÅ	
Ingen elektrisk lækage		
Enheden er korrekt jordet		
Alle elektriske klemmer er ordentligt dækket		
Indendørs og udendørs enheder er solidt installeret		
Alle rørforbindelsespunkter lækker ikke	Udendørs (2):	Indendørs (2):
Vand dræner ordentligt fra drænslangen		
Al rørføring er korrekt isoleret		
Enheden udfører COOL-funktion korrekt		
Enheden udfører HEAT-funktion korrekt		
Indendørsenheder roterer korrekt		
Indendørsenheden reagerer på fjernbetjeningen		

DOBBELT Kontroller rørforbindelser

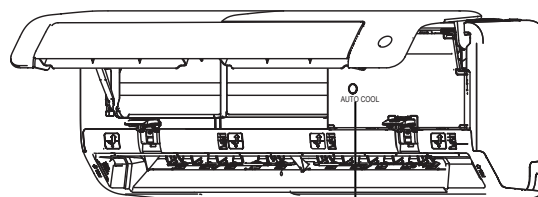
Under drift stiger kølemedierekredsløbet. Dette kan afsløre lækager, der ikke var til stede under din første lækageundersøgelse. Tag tid under testkørslen for at dobbeltkontrol, at alle forbindelsespunkter for kølemediør ikke har lækager. Se afsnittet om **kontrol af gaslækage** for at få vejledning.

5. Når testen er gennemført, og du har bekræftet, at alle kontrolpunkterne i listen over kontroller, der skal udføres, er **BESTÅET**, skal du gøre følgende:
 - a. Sæt enheden tilbage til normal driftstemperatur ved hjælp af fjernbetjeningen.
 - b. Brug isoleringstape til at omvikle de indendørs kølerørforbindelser, som du lod være utildækkede under installationen af den indendørs enhed.

HVIS AMBIENT TEMPERATUR ER UNDER 17 ° C (62 ° F)

Du kan ikke bruge fjernbetjeningen til at tænde for COOL-funktionen, når den omgivende temperatur er under 16 °C. I dette tilfælde kan du bruge knappen **MANUAL CONTROL** til at teste COOL-funktionen.

1. Knappen **MANUAL CONTROL** (manuel betjening) er placeret på enhedens højre sidepanel.
2. Tryk på knappen 2 gange for at vælge COOL-funktionen.
3. Udfør testkørsel som normalt.



Knappen Manual control (Manuel styring)

Indpakning og udpakning af enheden

Vejledning til indpakning og udpakning af enheden:

Udpakning:

Indendørsenhed:

1. Skær forseglingsstapen på kartonen over med en kniv, et snit i venstre side, et snit i midten og et snit i højre side.
2. Brug skruestik til at fjerne forseglingsømmene på toppen af emballagen.
3. Åbn kassen.
4. Tag den midterste støtteplade ud, hvis den er med.
5. Tag tilbehørspakken ud, og tag forbindelseskablet ud, hvis det er inkluderet.
6. Løft maskinen ud af kassen, og læg den fladt ned.
7. Fjern det venstre og højre emballageskum eller det øverste og nederste emballageskum, og løsn emballageposen.

Udendørs enhed

1. Klip pakningsbæltet.
2. Tag enheden ud af kassen.
3. Fjern skummet fra enheden.
4. Fjern emballageposen fra enheden.

Indpakning:

Indendørsenhed:

1. Læg indendørsenheden i emballageposen.
2. Fastgør det venstre og højre emballageskum eller det øverste og nederste emballageskum til enheden.
3. Læg enheden i kassen, og læg derefter tilbehørspakken i.
4. Luk kartonen og forsegl den med tape.
5. Brug om nødvendigt pakkebandet.

Udendørsenhed:

1. Læg udendørsenheden i pakningsposen.
2. Læg det nederste skum i kassen.
3. Læg enheden i kassen, og læg derefter det øverste emballageskum på enheden.
4. Luk kartonen og forsegl den med tape.
5. Brug om nødvendigt pakkebandet.


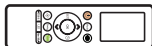
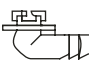
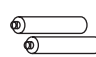


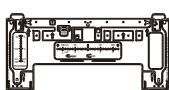




BEMÆRK: Behold venligst al emballage, hvis du kan få brug for den i fremtiden.

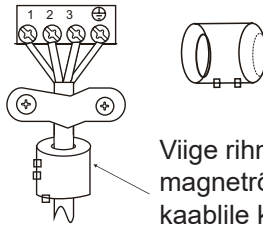
Paigaldusjuhend

Lisatarvikud	17
Paigaldus Kokkuvõte-siseruumides üksus	18
Seadme osad	19
Seadme paigaldamine ruumis.....	20
1. Valige installimise koht	20
2. Kinnitage paigaldusplaat seinale	20
3. Puuriseina auk sidetorustiku jaoks	21
4. Valmistage ette külmaaine torustik	22
5. Ühendage äravooluvoolik	24
6. Signaali ja toitekaablite ühendamine	25
7. Isoleerimine ja kaablid	26
8. Siseseadme ühendamine	26
Välismooduli paigaldamine	27
1. Valige installimise koht	27
2. Paigaldage äravoolu ühine	28
3. Ankrü välisseade	28
4. Signaali ja toitekaablite ühendamine	30
Külmaaine torustikuühendus	31
A. Märkus toru pikkus	31
B. Ühendusjuhised – Külmutusagensi Torustik	31
1. Toru lõikamine	31
2. Eemaldage burrid	32
3. Sulatage toru otsad	32
4. Ühendage torud	32
Õhu eemaldamine.....	34
1. Eemaldamisejuhised	34
2. Märkus jahutusaine lisamise kohta.....	35
Elektri-ja gaasilekke kontroll	36
Proovisisselülitamine.....	37
Seadme pakkimine ja lahtipakkimine	38

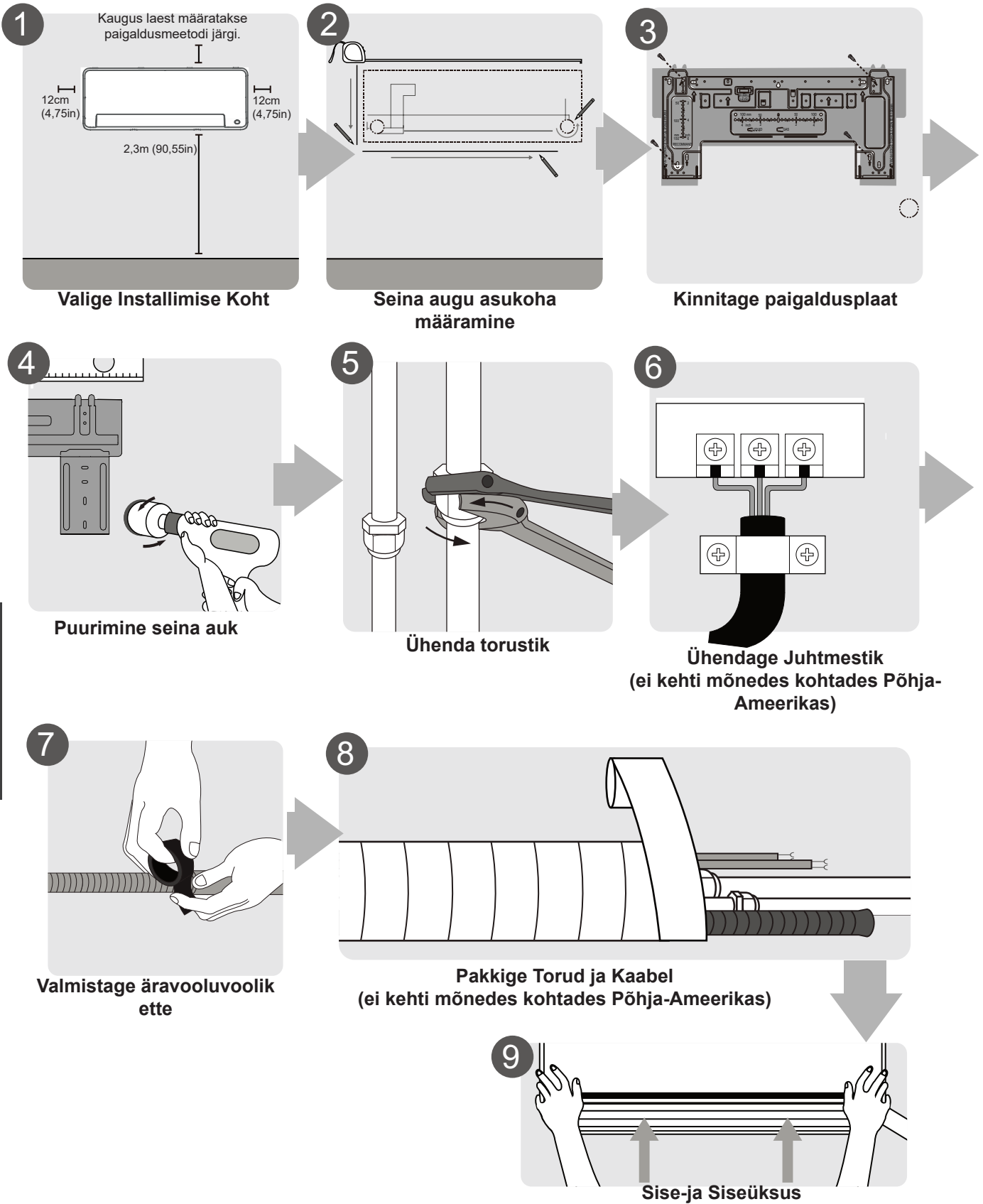
Lisatarvikud

Kliimaseade sisaldab järgmisi tarvikuid. Konditsioneeride paigaldamiseks kasutage kõiki paigaldusosasid ja lisaseadmeid. Vale paigaldamine võib põhjustada vee lekkimist, elektrilöögi ja tulekahju või põhjustada seadme ebaõnnestuda. Neid esemeid, mis õhukonditsioneeride komplekti ei kuulu, tuleb eraldi osta.

Tarvikute nimi	Kogus(tk)	Kuju	Tarvikute nimi	Kogus(tk)	Kuju
Manuaal	2-3		Kaugjuhtimispuult	1	
Äravoolu liide (jahutus- ja küttemudelitele)	1		Aku	2	
Pitser (jahutus- ja küttemudelitele)	1		Kaugkontrolleri hoidja (valikuline)	1	
Paigaldusplaat	1		Kaugkontrolleri hoidja kinnituskruvi (valikuline)	2	
Ankur	5~8 (sültuvalt mudelist)		Väike Filter (Tuleb paigaldada masina paigaldamise ajal põhilõhise filtri tagaküljel volitatud tehniku poolt)	1~2 (sültuvalt mudelist)	
Paigaldusplaadi kinnituskruvi	5~8 (sültuvalt mudelist)				

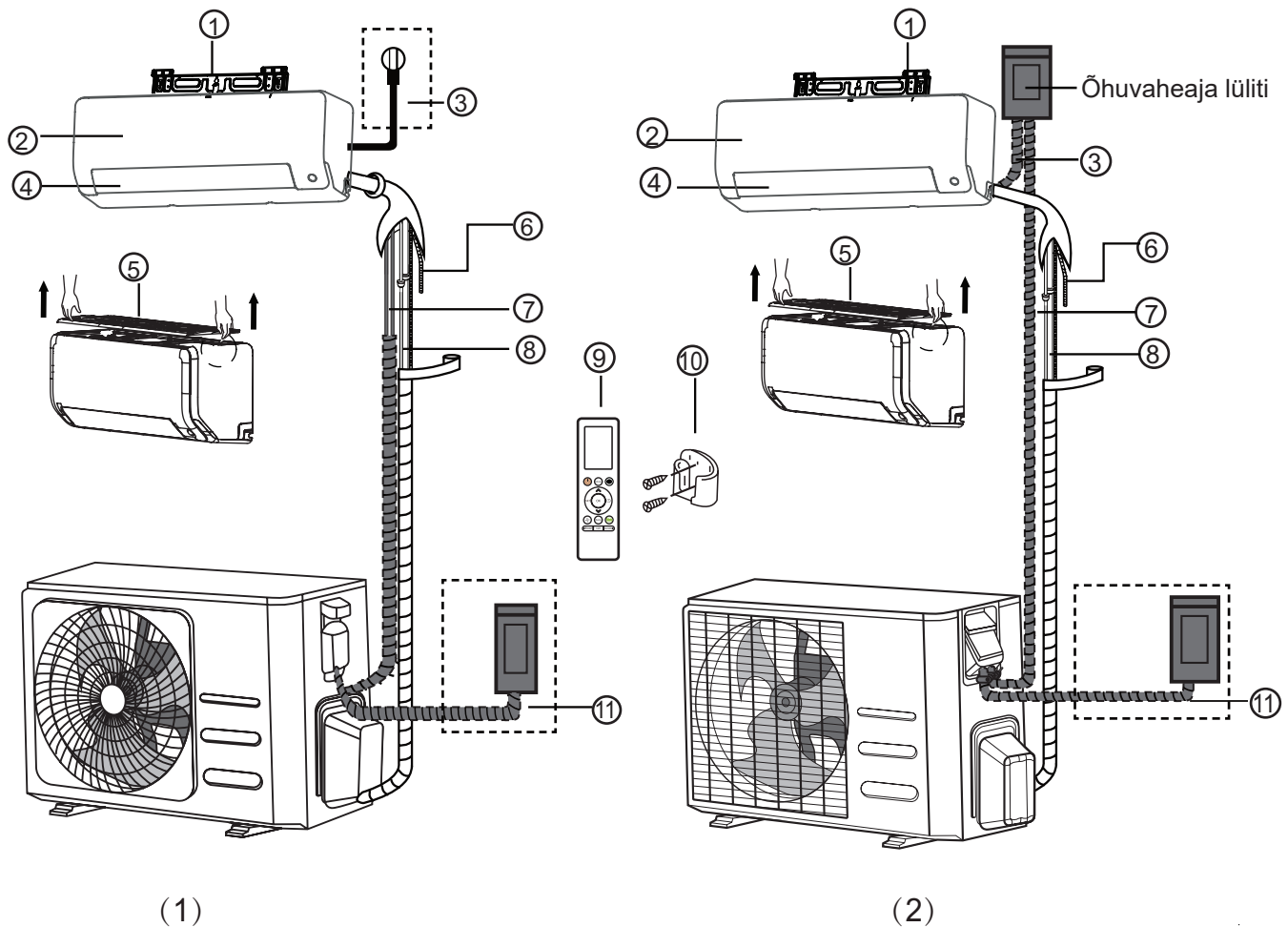
Nimi	Kuju	Kogus (tk)	
Ühenda toru koost	Vedel külg	Φ6,35 (1/4 tolli)	Osad peate puhc Hase eraldi. Küsige edasimüüjalt ostedud seadme õiget toru suurust.
		Φ9,52 (3/8 tolli)	
	Gaasi külg	Φ9,52 (3/8 tolli)	
		Φ12,7 (1/2 tolli)	
		Φ 16 (5/8 tolli)	
		Φ 19(3/4in)	
Magnetrõngas ja vöö (kui see on kaasas, vaadake selle ühenduskaablile paigaldamiseks ühendusskeemi.)	 <p>Viige rihm läbi magnetrõnga ava, et seda kaablile kinnitada</p>	Varieerub mudeli järgi	

Paigaldus Kokkuvõte-siseruumides üksus



Seadme osad

MÄRGE: Paigaldamine peab toimuma kooskõlas kohalike ja riiklike standardite nõudega. Paigaldamine võib olla erinevates piirkondades veidi erinev.



- ① Seinakinnitusplaat
- ② Esipaneel
- ③ Toitekaabel (Mõned Seadmed)
- ④ Louvre

- ⑤ Õhufilter (tõmmake see välja)
- ⑥ Drenaažitoru
- ⑦ Signaalikaabel
- ⑧ Külmutusagensi Torustik

- ⑨ Kaugjuhtimispuul
- ⑩ Kaugjuhtimispuuldi Hoidik (Mõned Seadmed)
- ⑪ Välisseadme Toitekaabel (Mõned Seadmed)

ILLUSTRATSIOONI MÄRGE

Selle juhendi illustratsioonid on selgitavad. Teie siseseadme tegelik kuju võib olla veidi erinev. Tegelik kuju on tähtis.

Seadme paigaldamine ruumis

Paigaldusjuhendid – Siseüksus

MUUDE PAIGALDAMINE

Enne siseeadme paigaldamist vaadake tootekasti märgistust, et veenduda, et siseeadme mudelinumber vastab väliseadme mudelinumbrile.

Samm 1: Valige installimise koht

Enne siseüksuse paigaldamist peate valima sobiva asukoha. Järgmised on standardid, mis aitavad valida seadme jaoks sobiva asukoha.

Õiged paigalduse asukohad vastavad järgmistele standarditele:

- Hea õhuringlus
- Mugav drenaaž
- Seadme müra ei häiri teisi inimesi elu
- Tugev ja kindel - asukoht ei vibreeri
- Tugev, et toetada seadme kaalu
- Asukoht, mis on vähemalt ühe meetri kaugusel kõigist teistest elektriseadmetest (nt teler, raadio, arvuti)

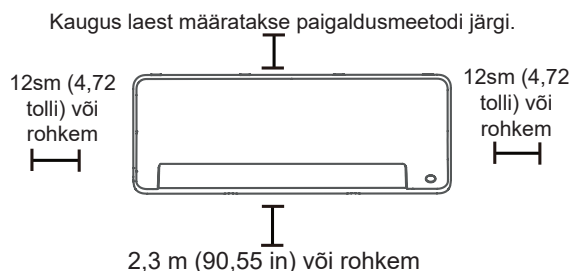
ÄRGE paigaldage seadet järgmistesse kohtadesse:

- Mistahes kuumuse, auru või põlevgaasi allika lähedal
- Tuleohtlike esemete (nt kardinad või riided) läheduses
- Takistuste lähedal, mis segavad õhuringlust
- Ukseava lähedal
- Otseses päikesevalgus kohas

MÄRGE SEINAAUGU KOHTA:

Kui külmutusagensi torustik pole fikseeritud: Kui valid asukoha, ole teadlik, et sa peaksid jätma piisavalt ruumi seina auk (vt **puurimine seina auk sidetorustik** samm) signaali kaabel ja külmaaine torustik, mis ühendab sise- ja välisüksused. Kõigi torustike vaikeasend on siseeadme parempoolne külg (seadme poole pöördumisel). Kuid seade saab mahutada torustik nii vasakule ja paremale.

Et tagada õige vahemaa seinte ja lagede vahel, vaadake järgnevat diagrammi:

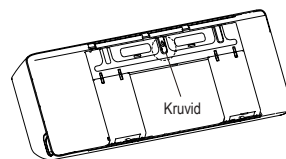


MÄRGE:

- **Kui seadme toetamiseks pole vaja tagumist hoidikut:**
Toru- ja kaabliühenduste katmine enne siseeadme seinale paigaldamist. Kui paigalduskõrgus on piiratud, on 5 sm kaugus laest lubatud, kuid see võib toote jõudlust vähendada. Ülemise õhufiltri paigaldamiseks ja eemaldamiseks piisava ruumi tagamiseks hoidke laest vähemalt 10 sm kaugust.
- **Seadme toetamiseks on vaja tagumist hoidikut:**
Kui ühendate toru ja kaabli avatud esipaneeliga, on minimaalne kaugus laest 22 sm või rohkem, kui ühendate toru ja kaabli ilma esipaneelita (eemaldage see), on minimaalne kaugus laest 11 sm või rohkem.

Samm 2: Kinnitage paigaldusplaat seinale
Paigaldusplaat on seade, millele te paigaldate siseeadme.

- Eemaldage keeratav kruvi, mis kinnitub paigaldusplaadi siseeadme tagakülge.



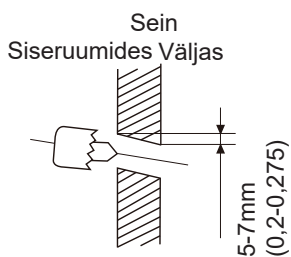
- Kinnitage paigaldusplaat seinaga, mille kruvid on ette nähtud. Veenduge, et paigaldusplaat oleks seina vastu lame.

MÄRKUS BETOONIST VÕI TELLISTEST SEINTELE:

Kui sein on valmistatud tellistest, betoonist või sarnasest materjalist, puurige seinas 5 mm läbimõõduga (0,2 tolli) auke ja sisestage kaasasolevad ankruskruvid. Seejärel kinnitage kinnitusplaat seinale, keerates kruvid otse ankruklambritesse.

Samm 3: Puuriseina auk sidetorstiku jaoks

1. Määrake seinakava asukoht paigaldusplaadi asendi alusel. Vaadake **Plaadi Paigaldamise Mõõtmeid**.
2. Puurige seinas auku 65 mm (2,5 tolli) või 90 mm (3,54 tolli) (sõltuvalt mudelist) südamikuga puuriga. Veenduge, et auk on puuritud kergelt allapoole nurga, nii et välimised auk on madalam kui siseruumides otsa umbes 5mm kuni 7mm (0,2-0,275 in). See tagab korraliku vee äravoolu.



MÄRGE: Kui gaasipoolne ühendustoru on Φ 16 mm (5/8 tolli) või rohkem, peab seinavaa olema 90 mm (3,54 tolli).

3. Asetage kaitseseina mansett auku. See kaitseb ava servi ja aitab selle paigaldamise lõpetamisel tihendada.



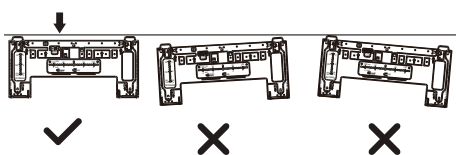
ETTEVAATUST

Seinaaugui puurimisel veenduge, et vältite juhtmeid, sanitaartechnikat ja muid tundlikke osi.

PAIGALDUSPLAADI MÕÖTMED

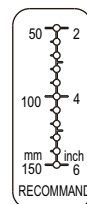
Erinevatel mudelitel on erinevad paigaldusplaadid. Paigaldamise mugavuseks on kinnitusplaadil mullitase, nikerdatud mõõtmenäitajad. Paigaldage plaati ja puurige seinas auku vastavalt kinnitusplaadi teabele. Vaadake allolevaid jooniseid.

Paigaldusplaadi õige suund



Seade: mm (toll)

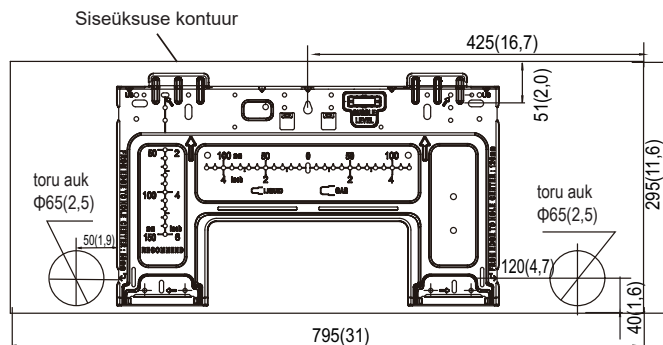
Horisontaalse suuna joonlaud



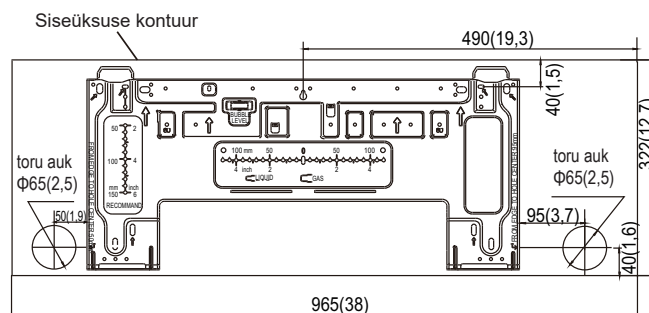
Vertikaalse suuna joonlaud



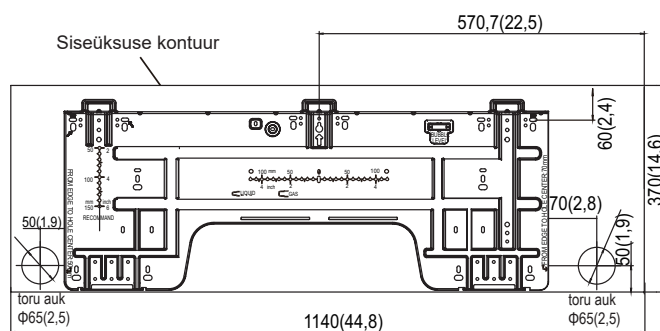
ETTEVAATUST: Kinnitusplaadil olevat mullitaset ei saa eemaldada. Kui see on katki, eemaldage siis lekkivat vedelikku.



Mudel A



Mudel B



Mudel C

Seadme
paigaldamine
ruumis

Samm 4: Valmistage ette külmaaine torustik

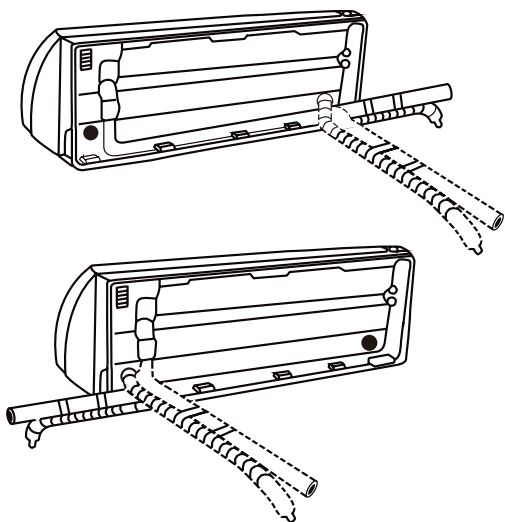
Külmaaine torustik on seesmiselt isoleeriv varrukas, mis on kinnitatud seadme tagakülja külge. Te peate torustik ette valmistama, enne kui läbi seina läbi augu läbite. Üksikasjalikke juhiseid torude laienemise ja pöördemomendi nõuete, tehnikate jne kohta leiate selle juhendi jaotisest **Külmutusagensi Torude Ühendamine**.

MÄRKUS TORUSTIKU NURGA ALL

Külmutusaine torustik võib väljuda siseüksusest neljast erinevast nurgaga:

- Vasakpoolne
- Vasak tagumine
- Parempoolne
- Parem tagumine

Üksikasjade saamiseks vaadake **alolevaid jooniseid**.



MÄRKUS TORUDE ÜHENDAMISE KOHTA

- Mõnedes USA asukohtades tuleb kaabli ühendamiseks juhtmetoru kasutada. Selleks, et torudele jääks piisavalt ruumi ja masin oleks pärast paigaldamist vastu seina, on soovitatav äravooluvoolik paremale küljele (kui olete näoga seadme taha) kinnitada.
- Kui valite Vasakpoolse või Parempoolse torustikku, veenduge, et torud väljuksid horisontaalselt, et alumise paneeli paigaldamist mitte mõjutada.



ETTEVAATUST

Olge äärmiselt ettevaatlik, et mitte mõlutada ega kahjustada torustik, painutades neid üksusest eemale. Kõik torustiku dendid mõjutavad seadme jõudlust.

Kui külmutusagensi torustik on juba seina sisse ehitatud, tehke järgmist.

Samm 1: Kinnitage siseseade kinnitusplaadile:

1. Pidage meeles, et kinnitusplaadi konksud on väiksemad kui seadme tagaküljel olevad augud.

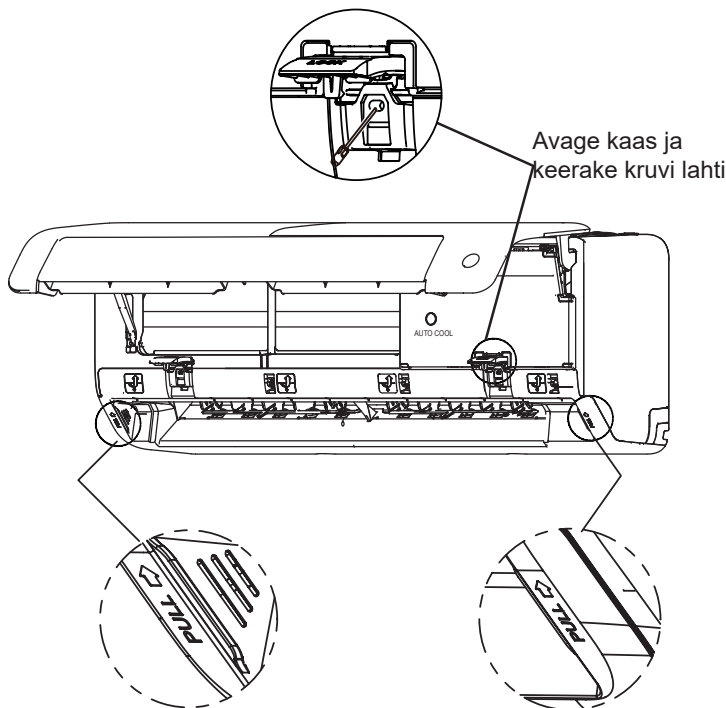
Kui leiate, et teil ei ole piisavalt ruumi ühendatud torude ühendamiseks siseüksusega, saab seadet reguleerida vasakule või paremale umbes 30-50mm (1,18-1,95 in), sõltuvalt mudelist.



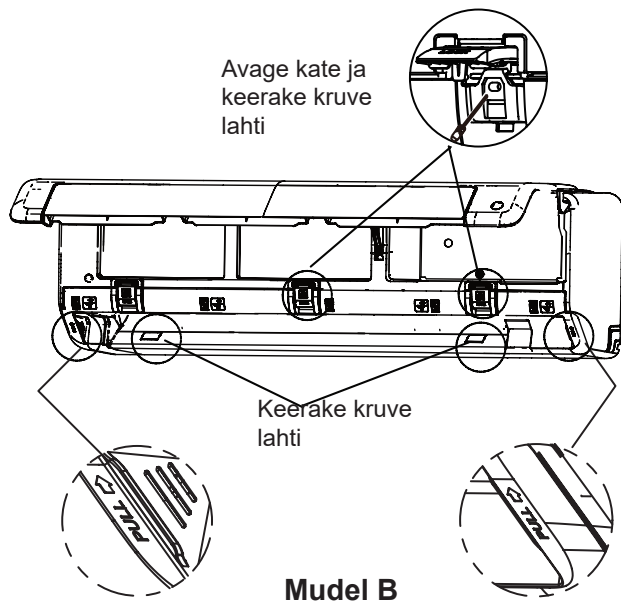
Nihuta vasakule või paremale

Samm 2: Valmistage ette külmutusagensi torustik:

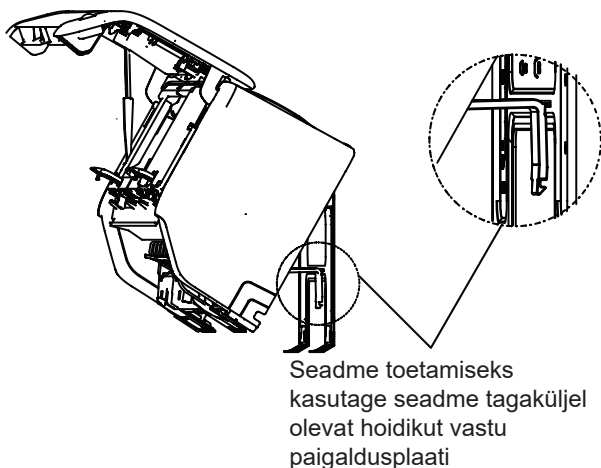
1. Avage ja fikseerige paneeli asendit, seejärel avage kahe lukuploki kaasi, keerake lahti aloleval pildil näidatud kruve, seejärel hoidke alumise paneeli mõlemat külge "PULL" märgistatud kohas, tõmmake seda ülespoole, seejärel võtke alumist paneeli alla.



Mudel A



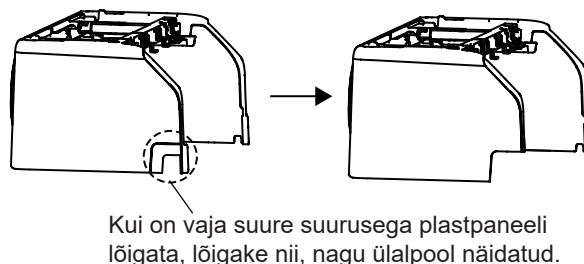
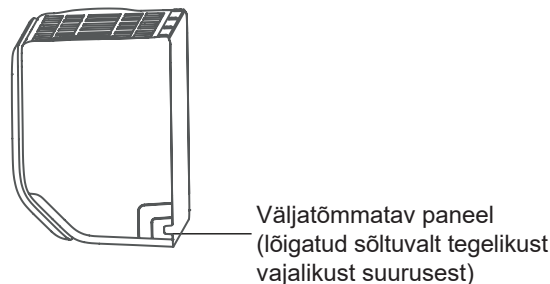
2. Kasutage seadme tagaküljel olevat hoidikut seadme toetamiseks, jättes teile piisavalt ruumi külmutusagensi torustiku, signaalikaabli ja äravooluvooliku ühendamiseks.



- Samm 3.** Ühendage äravooluvoolik ja külmutusagens torustik (juhiste saamiseks vaadake selle juhendi jaotist Külmutusagensi Torustiku Ühendamine).
- Samm 4.** Hoidke torude ühenduskoht avatuna viige lekketest läbi (vt jaotist Elektrilised Kontrollid ja selle juhendi jaotist Lekkekontroll).
- Samm 5.** Pärast lekkimise katset mähkige ühenduspunkt isolatsioonilindiga.
- Samm 6.** Eemaldage isolatsioonilindiga torustiku klamber või kiil.
- Samm 7.** Kasutades isegi survet, suruge alla seadme alumine pool. Jätkake surumist, kuni seade tõmbab konksu otsa piki paigaldusplaadi Põhja.

Kui külmutusagensiga torustikku seinas ei ole, tehke järgmist:

1. Vastavalt seinavaa asukohale paigaldusplaadi suhtes valige külg, millega torustik seadmest väljub.
2. Kui seinauk on seadme taga, hoidke väljatõmbepaneeli selle paigal. Kui Seinakell on Siseüksuse küljel, eemaldage selle seadme küljel olev plastist löögupaneel. (Vt joonist allpool). See loob pesa, mille kaudu teie torustik saab üksusest väljuda. Kasutage nõelakaitse, kui plastpaneeli on liiga raske käsitsi eemaldada.



3. Kasutage käärid, et vähendada isolatsioonihülsi pikkust ning sellega paljastada umbes 40 mm (1,57 tolli) külmutusagensi torustikku. Sellel on kaks eesmärki:
 - **Külmutusagensi torustiku ühendamise** protsessi hõlbustamiseks.
 - **Gaasilekkide tuvastamiskontrolli** hõlbustamiseks ja mõlkide tuvastamiskontrolli hõlbustamiseks
4. Kasutage seadme tagaküljel olevat hoidikut seadme toetamiseks, jättes teile piisavalt ruumi külmutusagensi torustiku, signaalikaabli ja äravooluvooliku ühendamiseks.
5. Ühendage siseseadme külmutusagensi torustik ühendustorustikuga, mis ühendab sise- ja välisseadmeid. Üksikasjalike juhiste saamiseks vaadake selle juhendi jaotist **Külmutusagensi Torustiku Ühendamine**.
6. Määrake oma torustiku vajalikku nurka, lähtudes seinavaa asukohast paigaldusplaadi suhtes.
7. Võtke külmutusagensi toru paine põhjas.
8. Painutage toru aeglaselt, ühtlase survega, augu suunas. **Ärge** kahjustage toru protsessi ajal.

Samm 5: Ühendage äravooluvoolik

Vaikimisi on äravooluvoolik kinnitatud seadme vasakule küljele (kui olete näoga seadme taha). Kuid seda saab kinnitada ka parempoolse küljega. Nõuetekohase drenaaži tagamiseks kinnitage tühjendusvoolik samal küljel, et teie külmaaine torustik väljub seadme kaudu.

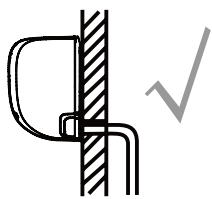
MÄRGE: Mõnes USA asukohas, kui masin on paigaldanud juhtmepaneeli, valige parempoolset äravoolu.

- Murdma ühenduspunkti tugevasti tefloni lindiga, et tagada hea tihend ja vältida lekkeid.
- Eemaldage õhufiltrit ja valage tühjendusnõusse väikest kogust vett, et seadmest vee sujuva väljavoolu tagada.

! MÄRKUS ÄRAVOOLUTORUTORU PAIGUTUSE KOHTA

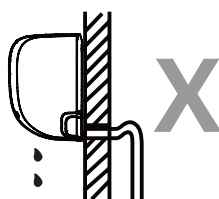
Veenduge, et korraldada äravoolu voolik vastavalt follo. Wing arvud.

- ⊘ **ÄRGE** murdke äravooluvoolikut kokku.
- ⊘ **ÄRGE** looge veelõksu.
- ⊘ **ÄRGE** pange äravooluvooliku otsa vette või vee koguva anumasse.



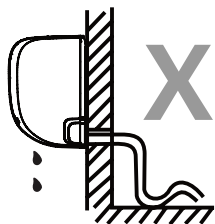
ÕIGE

Veenduge, et ei ole mingeid kinke või mõra äravoolu voolik tagada õige drenaaž.



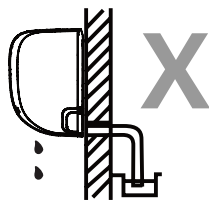
EI OLE ÕIGE

Äravoolusoolikuga Kinks loob veepüüniste.



EI OLE ÕIGE

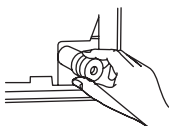
Äravoolusoolikuga Kinks loob veepüüniste.



EI OLE ÕIGE

Ärge asetage äravoolutoru otsa vette ega mahutitesse, mis koguvad vett. See hoiab ära korraliku drenaaži.

ÜHENDAGE KASUTAMATA ÄRAVOOLUAUK



Soovimatute lekkete vältimiseks tuleb kasutamata tühjendusauk ühendada ettenähtud kummist pistikuga.

! ENNE MIS TAHES ELEKTRITÖÖDE TEOSTAMIST LUGEGE NEID JUHISEID LÄBI

1. Kõik juhtmed peavad vastama kohalikele ja riiklikele elektriseadmestikule ning need peavad olema paigaldatud litsentseeritud elektrik.
2. Kõik elektriühendused tuleb teha vastavalt elektriühenduse skeemile, mis asub sise- ja väliüksuste paneelil.
3. Kui toiteallikas on tõsine ohutusprobleem, lõpetage kohe töö. Selgitage oma arutluskäiku kliendile ja keeldun paigaldamast seadet seni, kuni ohutusprobleem on õigesti lahendatud.
4. Toitepinge peaks olema 90-110% nimipingest. Ebapiisav toiteallikas võib põhjustada häireid, elektrilöögi või tulekahju.
5. Kui toidet fikseeritud juhtmestikuga ühendate, tuleb siis liigpingekaitsmet ja peatoitelüliti paigaldada.
6. Kui ühendatud võimsus fikseeritud juhtmestikule, lüliti või voolukatkestaja, mis katkestab kõik postid ja on kontakt eraldamine vähemalt 1/8 in (3mm) tuleb lisada fikseeritud juhtmed. Kvalifitseeritud tehnik peab kasutama kinnitatud voolukatkestajat või lüliti.
7. Ühendage seade ainult üksiku haru vooluvõrku. Ärge ühendage teist seadet selle pistikupesasse.
8. Veenduge, et õhukonditsioneer oleks korralikult jahvatatud.
9. Iga juhe peab olema kindlalt ühendatud. Lahtised juhtmed võivad põhjustada terminali ülekuumenenud, mille tulemuseks on toote talitlushäire ja võimalik tulekahju.
10. Ärge laske juhtmeid puudutada ega puhata külmaaine torude, kompressori või seadme mis tahes liikuvate osade vastu.
11. Kui veeremiüksusel on täiendav elektriline küttesead, tuleb see paigaldada vähemalt 1 meeter (40in) kõigist põlevmaterjalidest.
12. Elektrilöögi vältimiseks ärge kunagi puudutage elektrilisi komponente peagi pärast toitevoolu väljalülitamist. Pärast voolu väljalülitamist oodake enne elektriseadiste puudutamist alati 10 minutit või rohkem.

! HOIATUS

ENNE ELEKTRIKONTAKTIDE VÕI ELEKTRIJUHTMETE TEOSTAMIST LÜLITAGE PÕHIVOOL SÜSTEEMIST VÄLJA.

Samm 6: Signaali ja toitekaablite ühendamine

Signaalkaabel võimaldab suhtlust sise- ja välisüksuste vahel. Enne ühenduse ettevalmistamist peate kõigepealt valima õige kaabli suuruse.

Kaabli tüübid

- **Sisemine toitekaabel** (vajaduse korral): HH05VV-F või H05V2V2-F
 - **Väljas toitekaabel:** H07RN-F või H05RN-F
 - **Signaali kaabel:** H07RN-F
- MÄRGE:** Põhja-Ameerikas valige kaabli tüüp vastavalt kohalikule elektriseadustikule ja regulatsioonidele.

Energia-ja Signaalkaablitega seotud minimaalne ristlõige (viide) (Ei kehti Põhja-Ameerikas)

Seadme nimivool (A)	Nominaalne ristlõikepindala (mm ²)
> 3 ja ≤ 6	0,75
> 6 ja ≤ 10	1
> 10 ja ≤ 16	1,5
> 16 ja ≤ 25	2,5
> 25 ja ≤ 32	4
> 32 ja ≤ 40	6

VALI ÕIGE KAABLI SUURUS

Toitekaabli, signaalkaabli, kaitsmete ja lüliti suurus määratakse kindlaks seadme suurima vooluga. Maksimaalne vool on märgitud seadme Külgpaneelil paikneval nimiplaadil. Vaadake seda nimisplaati, et valida õige kaabel, kaitse või lüliti.

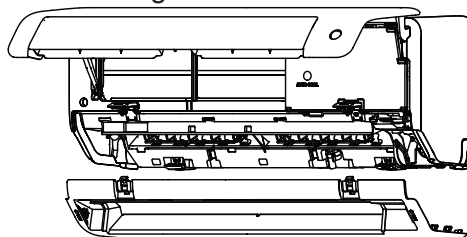
MÄRGE: Põhja-Ameerikas valige kaabli suurus vastavalt Miinimum Vooluringi Võimendusele, mis näidatud seadme nimeplaadil.

1. Avage ja fikseerige paneeli asendit, seejärel avage kahe lukuploki kaasi, keerake kruve lahti, seejärel hoidke alumise paneeli mõlemat külge "PULL" märgistatud kohas, tõmmake seda ülespoole, seejärel võtke alumist paneeli alla (vt lk 22-23).
2. Kaabli ühendamiseks avage juhtmekarbi kaant.
3. Keerake klemmploki all oleva kaabliklambri lahti ja asetage see küljele.
4. Eemaldage seadme tagaküljel olev plastikpaneel alumise vasakpoolse külje küljest.

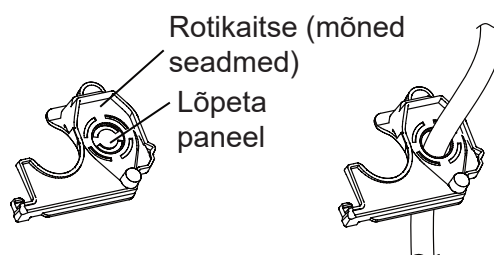
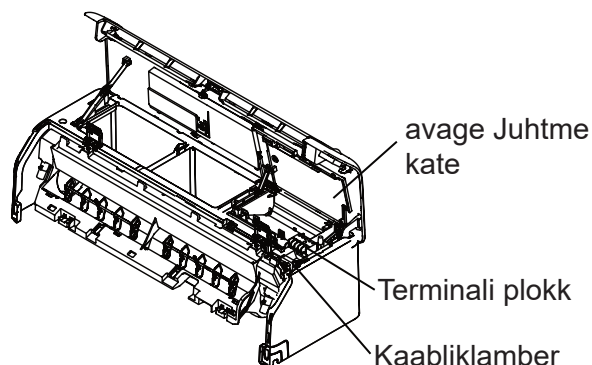
! HOIATUS

JUHTMESTIKKU ÜHENDAMIST TULEB TEOSTADA RANGELT VASTAVALT SISSESEADME ESISEPANEELI TAGAOSAL OLEVA JUHTMESTIKU SKEEMIGA.

5. Sööda signaali juhe läbi selle pesa, tagaküljel seadme ees.
6. Seadme esiosa esiküljel ühendatakse juhe vastavalt siseseadme juhtmestikule, ühendage u-Lug ja keerake iga juhe vastava terminali vahel tugevasti kinni.



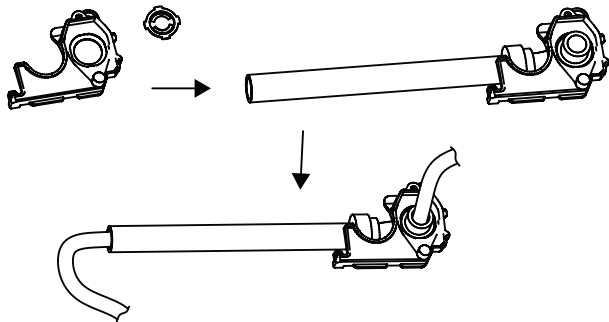
Esmalt avage esipaneeli, seejärel eemaldage alumist paneeli.



MÄRGE: Kui kaabel on liiga suur, eemaldage väikest keskel olevat plastikust väljumispaneeli, et teha pilu kaabli väljumiseks. Kui soovite šassii või äravooluvooliku eemaldada, eemaldage rotikaitset kõigepealt.

Põhja-Ameerikas

Esmalt eemaldage väljumispaneeli, et teha pilu, mille kaudu saab juhtmetoru paigaldada. Seejärel viige kaablit torujuhtme läbi ja ühendage siis siseseadmega.



⚠ ETTEVAATUST

MITTE SEGADA LIVE-JA NULLJUHTMED

See on ohtlik ja võib põhjustada kliimaseadme talitlushäireid.

- Pärast kontrollimist veendumaks, et iga ühendus on turvaline, kasutage kaabliklambrit, et kinnitada signaalikaabel seadme külge. Keerake kaabliklamber tihedalt kinni.
- Vahetage juhtkate seadme esiküljel ja plastpaneel tagaküljel.

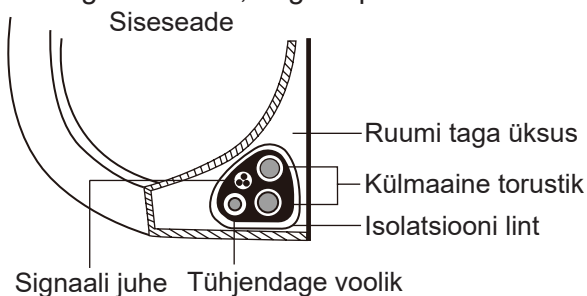
⚠ MÄRKUS JUHTMESTIKU KOHTA

JUHTMESTIKU ÜHENDUSPROTSESS VÕIB PIIRKONNITI VEIDI ERINEDA.

Samm 7: Isoleerimine ja kaablid

Enne torustiku, äravooluvooriku ja signaalikaabli seinava läbi viimist peab neid kimbu kokku panema (see ei pruugi kehtida mõnes USA asukohas) ruumi säästmiseks, ka nende kaitsmiseks ja isoleerimiseks.

- Kimbu äravoolu voolik, külmaaine torud ja signaalikaabel, nagu allpool näidatud:



ÄRAVOOLU VOOLIK PEAB OLEMA ALL

Veenduge, et äravooluvoorik on kimbu põhjas. Kui asetate äravooluvooriku kimbu ülaossa, võib see tühjendusnõu üle koormata, mis võib põhjustada tulekahju või veekahjustusi.

ÄRGE ÜHENDAGE SIGNAALI KAABLIT TEISTE JUHTMETEGA

Kuigi need komponendid kokku pannakse, ärge mingil muul viisil ühendage signaalikaablit teiste juhtmetega.

- Kasutades kleeplinti, kinnitage äravoolutoru külmaaine torude allküljele.
- Kasutage isolatsiooniteipi, pakkige signaaljuhe, külmaaine torud ja äravoolutoru tihedalt kokku. Kontrollige, kas kõik kaubad on komplekteeritud.

ÄRA MURRA TORUSTIKU OTSAD

Kogumi mähkimiseks hoidke torustiku otsad lahti pakkimata. Paigaldusprotsessi lõpus lekete kontrollimiseks peab neile juurde pääsema (vt selle juhendi jaotist **Elektrikontroll ja Lekkekontroll**)

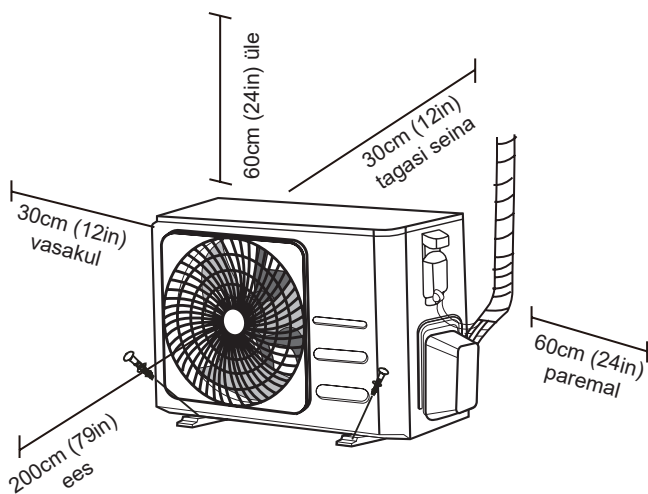
Samm 8: Siseseadme ühendamine

Kui paigaldasite välisseadmele uue ühendustorustiku, tehke järgmist:

- Kui olete juba läbinud külmaaine torustik läbi augu seina, jätkake sammuga 4.
- Vastasel juhul kontrollige, et külmaaine torude otsad oleksid suletud, et vältida mustuse või võõrmaterjalide sattumist torudele.
- Aeglaselt läbida pakitud kimbu külmaaine torud, äravoolu voolik, ja signaali juhe läbi augu seina.
- Haakige paigaldusplaadi ülemise konksu siseseadme ülaosa.
- Veenduge, et seade on kindlalt kinnitatud paigaldamiseks, rakendades seadme vasak- ja parempoolse külje kergest survet. Seade ei peaks raputama ega nihkuda.
- Kasutades isegi survet, suruge alla seadme alumine pool. Jätkake surumist, kuni seade tõmbab konksu otsa piki paigaldusplaadi Põhja.
- Kontrollige, kas seade on kindlalt kinnitatud, rakendades kergest survet seadme vasakule ja paremale küljele.

Välismooduli paigaldamine

Paigaldage üksus, järgides kohalikke koode ja määrusi, võib eri piirkondade vahel veidi erineda.



Paigaldusjuhised – Väliüksus

Samm 1: Valige installimise koht

Enne välisseadme paigaldamist peate valima sobiva asukoha. Järgmised on standardid, mis aitavad valida seadme jaoks sobiva asukoha.

Õiged paigalduse asukohad vastavad järgmistele standarditele:

- Vastab kõigile paigaldusruumi nõuetele eespool toodud ruuminõuetele.
- Hea õhu ringlus ja ventilatsioon
- Kindel ja tahke — asukoht võib toetada seadet ja ei viina
- Seadme müra ei häiri teisi
- Kaitstud pikaajalise otsese päikesevalguse või vihma eest
- Kui on oodata lumesadu, võtke asjakohaseid meetmeid jää moodustumise ja torustiku kahjustamise vältimiseks.

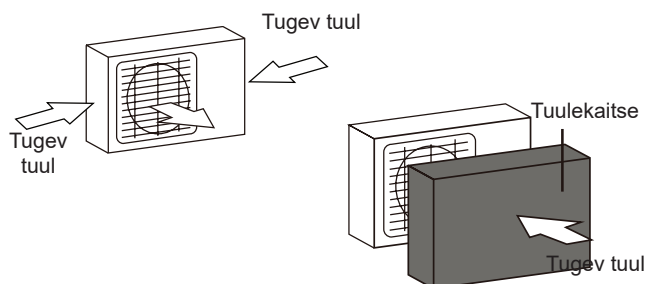
ÄRGE paigaldage seadet järgmistesse kohtadesse:

- ⊘ Takistuse läheduses, mis blokeerib õhu sisse- ja väljalaskeavasid
- ⊘ Avaliku tänava lähedal, rahvarohketes kohtades või kohtades, kus seadme müra häirib teisi
- ⊘ Loomade või taimede läheduses, mida kuuma õhu väljavool kahjustab
- ⊘ Mistahes põlevgaasi allika lähedal
- ⊘ Kohas, mis puutub kokku suurel hulgal tolmu
- ⊘ Kohas, kus on kokku puutunud liigne soolane õhk

ÄÄRMUSLIKE ILMASTIKUOLUDE KAALUTLUSED

Kui seade puutub kokku raske tuulega:

Paigaldage seade nii, et õhuväljalaskeventilaator on 90 ° nurga all tuule suunas. Vajaduse korral ehitage seadme ees takistus, et kaitsta seda äärmiselt raskete tuulte eest. Vt allolevaid näitajaid.



Kui seade on sageli avatud raske vihma või lume:

Ehitada varju üle üksuse, et kaitsta seda vihma või lume. Olge ettevaatlik, et mitte takistada õhuvoolu seadme ümber.

Kui seade on sageli avatud soolane õhk (mereäärne):

Kasutage välisseadet, mis on spetsiaalselt ette nähtud korrosioonile seisma.

Samm 2: Paigaldage äravoolu ühine (ainult soojuspumba seade)

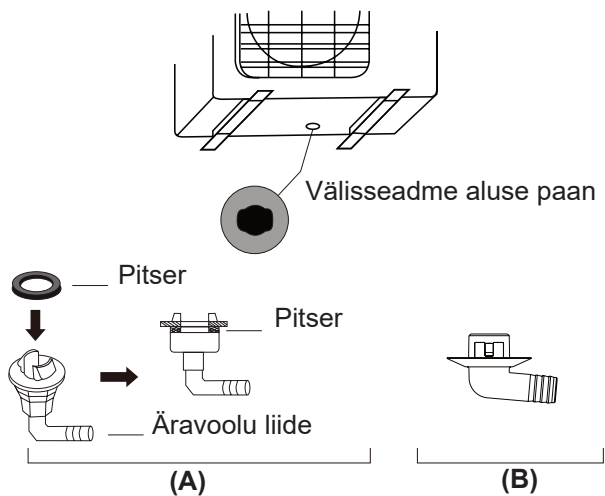
Enne välisseadme paigaldamist tuleb paigaldada seadme allservas olev äravoolutoru. Pange tähele, et olenevalt välisseadme tüübist on kahte erinevat tüüpi äravooluühendusi.

Kui äravooluühendus on kummitihendiga (vt joonis A) varustatud, tehke järgmist:

1. Paigaldage välisseadmega ühendatava väljalaskeava otsa kummikork.
2. Paigaldage äravoolusõlm seadme aluse paani auku.
3. Pöörake tühjendussõlm 90 °, kuni see klõpsab paigale, mis on suunatud seadme esikülje poole.
4. Ühendage äravooluotsaga äravooluvooliku pikendus (ei kuulu komplekti), et kuumutusrežiimis suunata vett seadmest välja.

Kui äravooluühendus on kummitihendiga (vt joonis B) varustatud, tehke järgmist:

1. Paigaldage äravoolusõlm seadme aluse paani auku. Tühjendusliide klõpsab kohale.
2. Ühendage äravooluotsaga äravooluvooliku pikendus (ei kuulu komplekti), et kuumutusrežiimis suunata vett seadmest välja.



! KÜLMA KLIIMAS

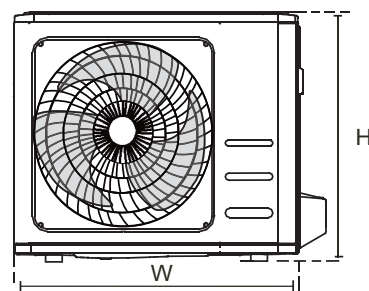
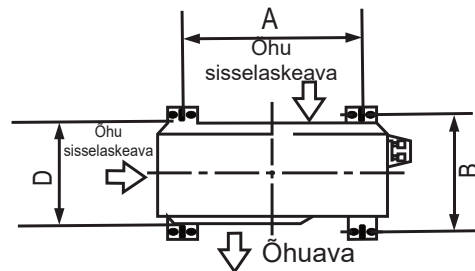
Külma kliimas veenduge, et äravooluvoolik oleks võimalikult vertikaalne, et tagada kiire vee äravool. Kui vesi voolab liiga aeglaselt välja, võib see voolikusse jääda ja seadet üle ujutada.

Samm 3: Ankru välisseade

Väliühikut saab ankurdatud maapinnale või seinale paigaldatud sulg Bolt (M10). Valmistage seadme paigaldusbaas ette vastavalt alltoodud dimensioonidele.

SEADME PAIGALDUSMÕÖTMED

Järgnev on loetelu erinevatest välismõõtühikusuurusest ja kaugus nende paigaldusjalgadest. Valmistage seadme paigaldusbaas ette vastavalt alltoodud dimensioonidele.



Välisseadme mõõtmed (mm) L × K × S	Montaaži mõõtmed	
	Kaugus A (mm)	Kaugus B (mm)
681x434x285 (26,8"x 17,1"x 11,2")	460 (18,1")	292 (11,5")
700x550x270 (27,5"x 21,6"x 10,6")	450 (17,7")	260 (10,2")
700x550x275 (27,5"x 21,6"x 10,8")	450 (17,7")	260 (10,2")
720x495x270 (28,3"x 19,5"x 10,6")	452 (17,8")	255 (10,0")
728x555x300 (28,7"x 21,8"x 11,8")	452 (17,8")	302(11,9")
765x555x303 (30,1"x 21,8"x 11,9")	452 (17,8")	286(11,3")
770x555x300 (30,3"x 21,8"x 11,8")	487 (19,2")	298 (11,7")
805x554x330 (31,7"x 21,8"x 12,9")	511 (20,1")	317 (12,5")
800x554x333 (31,5"x 21,8"x 13,1")	514 (20,2")	340 (13,4")
845x702x363 (33,3"x 27,6"x 14,3")	540 (21,3")	350 (13,8")
890x673x342 (35,0"x 26,5"x 13,5")	663 (26,1")	354 (13,9")
946x810x420 (37,2"x 31,9"x 16,5")	673 (26,5")	403 (15,9")
946x810x410 (37,2"x 31,9"x 16,1")	673 (26,5")	403 (15,9")

Kui paigaldate seadet maapinnale või betoonist paigaldusplatvormile, tehke järgmist:

1. Märkige nelja laienduspoli asukohad, mis põhinevad dimensioonide diagrammil.
2. Eelpuurimine paisupoltide jaoks.
3. Asetage mutter iga paisupoldi otsa.
4. Haamer paisupoldid enne puuritud auku.
5. Eemaldage mutrid laienduspoltidest ja asetage välisseade poltide peale.
6. Asetage pesumasin igale laienduspoltil, seejärel Asendage päklid.
7. Pingutage iga mutrit mutrivõtmega, kuni need on tihedalt kinni.



HOIATUS

BETOONI PUURIMISEL SOOVITATAKSE KOGU AEG SILMADE KAITSET.

Kui paigaldate seadet seinale kinnitatud kinnitusklambrile, tehke järgmist:



ETTEVAATUST

Veenduge, et sein on valmistatud täistelistest, betoonist või samalaadsest tugevast materjalist. **Seina peab olema võimalik toetada vähemalt neli korda kaalu ühik.**

1. Märkida kronsteini augud, mis põhinevad dimensioonide diagrammil.
2. Enne puurige auke laienduspoltide jaoks.
3. Asetage seibi ja mutrit iga paisupoldi otsa.
4. Keerake laienduspoltid kinnitusklambrites olevate aukude läbi, asetage kinnitusklambrid oma kohale ja lööge laienduspoltid seinasse.
5. Kontrollige, kas kinnitusklambrid on ühel tasemel.
6. Tõstke seadet ettevaatlikult üles ja asetage selle kinnitusjalad klambritele.
7. Kinnitage seadet klambritele korralikult.
8. Kui see on lubatud, paigaldage seadet kummitihenditega vibratsiooni ja müra vähendamiseks.

Samm 4: Signaali ja toitekaablite ühendamine

Välisseadme terminali plokki kaitseb seadme küljel olev elektrijuhtmete kate. Juhtmestiku kate sisemust trükitakse terviklik juhtmestik.

HOIATUS

ENNE ELEKTRIKONTAKTIDE VÕI ELEKTRIJUHTMETE TEOSTAMIST LÜLITAGE PÕHIVOOL SÜSTEEMIST VÄLJA.

1. Ühendage kaabel ettevalmistamiseks:

KASUTA ÕIGET KAABLIT

Valige õige kaabel, vaadake jaotist "Kaabli tüübid" lk 25.

VALI ÕIGE KAABLI SUURUS

Toitekaabli, signaalikaabli, kaitsmete ja lüliti suurus määratakse kindlaks seadme suurima vooluga. Maksimaalne vool on märgitud seadme Külgpaneelil paikneval nimiplaadil.

MÄRGE: Põhja-Ameerikas valige kaabli suurus vastavalt Miinimum Vooluringi Võimendusele, mis näidatud seadme nimeplaadil.

- kasutades traat strippers, ribad kummist jope mõlemast otsast kaabel paljastada umbes 40mm (1,57 in) juhtmed sees.
- Riba isolatsioon traatide otsast.
- Suruge juhtmete otstesse U-aasad, kasutades traadikrunti.

PÖÖRAKE TÄHELEPANU REAALAJAS TRAADIST

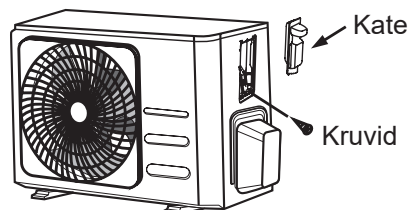
Valage juhtmed, veenduge selgelt eristada Live ("L") traat teistest juhtmed.

HOIATUS

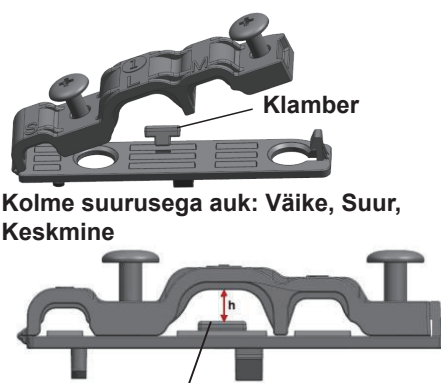
KÕIK JUHTMED TULEB LÄBI VIIA RANGELT VASTAVALT JUHTMESTIKULE, MIS ASUB VÄLIÜKSUSE TRAAATKATTE SEES.

- Keerake elektrijuhtmete kaas lahti ja eemaldage see.
- Keerake klemmiploki all oleva kaabliklambril lahti ja asetage see küljele.
- Ühendage juhe vastavalt juhtmestiku skeemile ja keerake iga juhtme u-kõrv kindlalt vastavasse terminali.
- Pärast kontrollimist veendumaks, et iga ühendus on turvaline, loop juhtmed ümber, et vältida vihma vee voolab terminali.
- Kinnitage kaabel seadme abil. Keerake Kaabliklamber tihedalt kinni.

- Isoleerida kasutamata juhtmed PVC elektrikassetti. Korralda need nii, et nad ei puudutaks ühtegi elektri-ega metalloosa.
- Asetage juhtme kate seadme küljele ja keerake see paika.



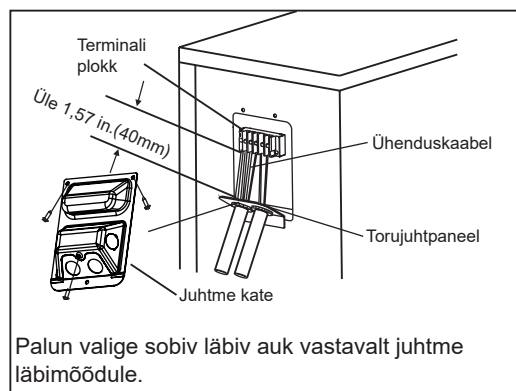
MÄRGE: Kui kaabliklamber näeb välja selline, valige vastavalt kaabli läbimõõdule sobivat läbimisauku.



Kui kaabel ei ole piisavalt kinnitatud, kasutage selle kinnitamiseks klambrit, et seda saaks tihedalt kinnitada.

Põhja-Ameerikas

- Eemaldage 3 kruvi lahti keerades seadme juhe.
- Eemaldage korgid torupaneelil.
- Torpeedistorud (ei sisaldu) juhtpaneelil tavapäraselt.
- Ühendage nii toiteallika kui ka madalpingeline korralikult klemmiploki vastavate klemmidega.
- Maandage seadet vastavalt kohalikele seadustele.
- Kindlasti suurus iga juhe võimaldab mitu tolli pikem kui vajalik pikkus juhtmed.
- Kasutage kanalitorude kinnitamiseks lukustusmutreid.



Külmaaine torustikuühendus

Külmutusagensi torustiku ühendamisel **ärge** laske seadmesse sattuda muid aineid ega gaase, välja arvatud ainult ettenähtud külmaaine. Teiste gaaside või ainete esinemine alandas seadme võimsust ja võib põhjustada ebataavaliselt kõrget survet külmutustsükli jooksul. See võib põhjustada plahvatust ja vigastusi.

Märkus toru pikkus

Külmutusagensi torustiku pikkus mõjutab seadme jõudlust ja energiatõhusust. Nominiaalset tõhusust testitakse seadmetel, mille toru pikkus on 5 meetrit (16,5 jalga) (Põhja-Ameerikas on toru standardpikkus 7,5 m (25 tolli). Vibratsiooni ja liigse müra minimeerimiseks on vaja torujuhtme pikkust vähemalt 3 meetrit. Spetsiaalsel troopilises piirkonnas R290 külmaaine mudelite puhul ei ole võimalik lisada külmaaine ja maksimaalne külmaaine toru ei tohi ületada 10 meetrit (32,8 ft).

Torustiku maksimaalse pikkuse ja kukkumiskõrguse andmed leiate allolevast tabelist.

Maksimaalne pikkus ja tilk kõrgus külmaaine torustik ühiku mudeli kohta

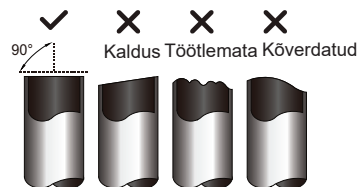
Mudel	Võimsus (BTU/h)	Max. Pikkus (m)	Max. Tilk kõrgus (m)
R410A, R32 inverter Split kliimaseade	< 15,000	25 (82ft)	10 (33ft)
	≥ 15,000 ja < 24,000	30 (98,5ft)	20 (66ft)
	≥ 24,000 ja < 36,000	50 (164ft)	25 (82ft)
R22 fikseeritud kiirusega Split kliimaseade	< 18,000	10 (33ft)	5 (16ft)
	≥ 18,000 ja < 21,000	15 (49ft)	8 (26 jalga)
	≥ 21,000 ja < 35,000	20 (66ft)	10(33ft)
R410A, R32 fikseeritud kiirusega Split kliimaseade	< 18,000	20 (66ft)	8 (26 jalga)
	≥ 18,000 ja < 36,000	25 (82ft)	10(33ft)

Ühenduse juhised – külmaaine torustik

Samm 1: Lõigake toru

Külmutusagensi torude ettevalmistamisel olge eriti ettevaatlik, et neid korralikult lõigata ja põletada. See tagab tõhusa toimimise ja minimeerib tulevase hoolduse vajaduse.

1. Mõõda siseruumide ja välisseadete vahelist kaugust.
2. Torulõikuri abil lõigake toru mõõdetud vahemaast veidi pikemaks.
3. Veenduge, et toru oleks täiusliku 90° nurga all lõigatud.



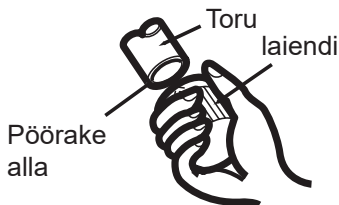
TORU LÕIKAMISEL ÄRGE DEFORMEERIGE SEDA

Olge eriti ettevaatlik, et lõikamisel ei kahjusta toru, See vähendab seadme kütte efektiivsust drastiliselt.

Samm 2: Eemaldage burrid

Burrid võivad mõjutada külmutusagensi toruühenduse õhukindlat tihendit. Need tuleb täielikult eemaldada.

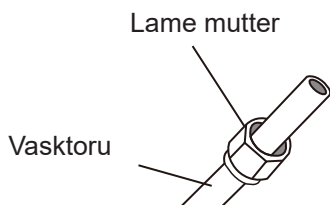
1. Hoidke toru allapoole suunatud nurga all, et vältida burride kukkumist torusse.
2. Eemaldage hõõritsa või kraadieemaldustööriista abil kõik kraate toru lõigatud osast.



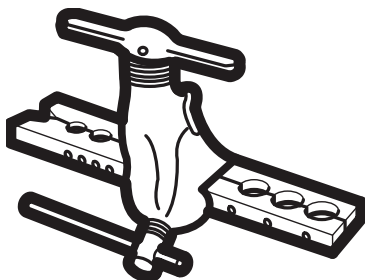
Samm 3: Sulatage toru otsad

Õige kinnitamine on õhutiheda tihendi saavutamiseks väga oluline.

1. Pärast eemaldatud torude eemaldamist hermeetige otsad PVC-lindiga, et vältida materjalide sisenemist torusse.
2. Katteplaat isolatsioonimaterjaliga.
3. Asetage toru mõlemas otsas põletusmutrid. Veenduge, et nad on suunatud õiges suunas, sest te ei saa neid peale panna ega muuta nende suunda pärast põletamist.

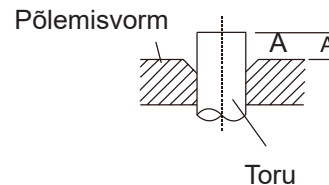


4. Eemaldage PVC-teip torude otsadest, kui olete valmis alustama põletamistööd.
5. Toru lõpus on klambri rakett. Toru ots peab ulatuma allapoole ägenemismuutu serva vastavalt alltoodud tabelis esitatud mõõtmetele.



TORU PIKENDAMINE VÄLJASPOOL PÕLEMISVORMI

Toru välisläbimõõt (mm)	A (mm)	
	Min.	Max
Ø 6,35 (Ø 0,25")	0,7 (0,0275")	1,3 (0,05")
Ø 9,52 (Ø 0,375")	1,0 (0,04")	1,6 (0,063")
Ø 12,7 (Ø 0,5")	1,0 (0,04")	1,8 (0,07")
Ø 16 (Ø 0,63")	2,0 (0,078")	2,2 (0,086")
Ø 19 (Ø 0,75")	2,0 (0,078")	2,4 (0,094")



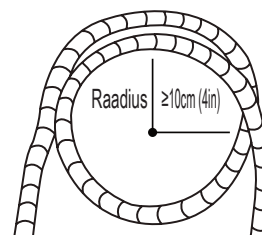
6. Asetage põlemisriist vormile.
7. Pöörake kinnitamistöriista käepidet päripäeva, kuni toru on täielikult kinnitatud.
8. Eemaldage kinnitamistöriista ja voodrit, seejärel kontrollige toru otsa pragude ja ühtlase kinnitamise suhtes.

Samm 4: Ühendage torud

Kui ühendate külmaaine torud, olge ettevaatlik, et mitte kasutada liigset pöördemomenti või mitte mingil moel torustiku deformi. Kõigepealt peab ühendama madalsurve toru, seejärel kõrgsurvetoru.

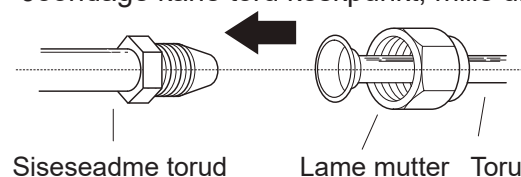
MINIMAALNE PAINUTADA RAADIUS

Kui painutamine sideaine külmaaine torustik, minimaalne painutamise raadius on 10cm.

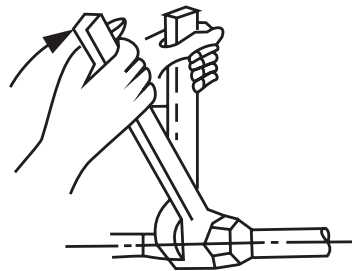


Juhised torustiku ühendamiseks Siseüksusega

1. Joondage kahe toru keskpunkt, mille ühendate.



- Pingutage nurga mutter käsitsi nii tihedalt kui võimalik.
- Mutrivõtme abil haarake seadme torustiku mutrit.
- Seadme torustiku mutrit tugevalt kinni hoides kasutage pöördemomendiga mutrivõtit, et pingutada kiinitamismutrit vastavalt **Pöördemomendi Nõuetega** tabelis toodud pöördemomendi väärtustele. Lõdvendage kergelt, seejärel pingutage uuesti.



PÖÖRDEMOMENDI NÕUDED

Toru välisläbimõõt (mm)	Pingutusmoment (N·m)	Kinnitamismõõt (B) (mm)	Kinnitamiskuju
Ø 6,35 (Ø 0,25")	18~20(180~200kgf.cm)	8,4~8,7 (0,33~0,34")	
Ø 9,52 (Ø 0,375")	32~39(320~390kgf.cm)	13,2~13,5 (0,52~0,53")	
Ø 12,7 (Ø 0,5")	49~59(490~590kgf.cm)	16,2~16,5 (0,64~0,65")	
Ø 16 (Ø 0,63")	57~71(570~710kgf.cm)	19,2~19,7 (0,76~0,78")	
Ø 19 (Ø 0,75")	67~101(670~1010kgf.cm)	23,2~23,7 (0,91~0,93")	

⚠ ÄRGE KASUTAGE LIIGSET PÖÖRDEMOMENTI

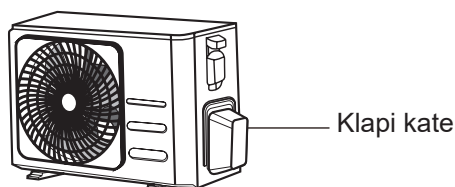
Liigne jõud võib purustada pähkel või kahjustada külmaaine torustik. Te ei tohi ületada ülaltoodud tabelis esitatud pöördemomendi nõudeid.

Juhised torustiku ühendamiseks Välisüksusega

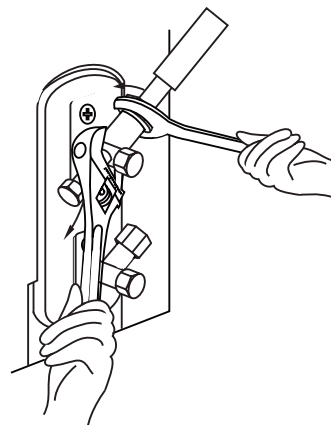
- Keerake kaas väliseadme küljel pakitud ventiili pealt lahti.
- Eemaldage ventiilide otstelt kaitsekorke.
- Tasandage kinnitatud toru otsa iga ventiiliga ja pingutage kinnitamismutrit käsitsi nii tihedalt kui võimalik.
- Haarake mutrivõtmeaga klapi korpusega. Ärge võtke kinni mutterist, mis tihendab hooldusventiili.
- Lõdvendage kergelt, seejärel pingutage uuesti.
- Korrake samme 3 kuni 6 ülejäanud toruga.

⚠ KASUTAGE SPANNER GRIP PEAMINE KEHA KLAPI

Pöördemoment raketimutri pingestamise korral võib ventiili teisi osi välja lülitada.



- Ventiili keha tugevalt haarades kasutage pöördemomendi mutrivõtit, et kinnitada raketimutrit vastavalt õigete pöördemomendi väärtustele.



Õhu eemaldamine

Ettevalmistused ja ettevaatusabinõud

Õhu ja vöörosakeste külmaaine Circuit võib põhjustada ebanormaalset tõusu surve, mis võib kahjustada õhukonditsioneerit, vähendada selle efektiivsust ja põhjustada vigastusi. Kasutage vaakumpumpa ja mitmekülgse gabariidi, et evakueerida külmaaine circuit, eemaldades süsteemist kõik kondenseerimata gaasi ja niiskuse.

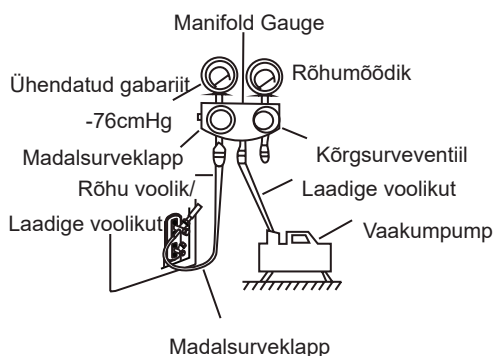
Evakueerimine peab toimuma algsel paigaldamisel ja seadme ümberpaigutamisel.

ENNE EVAKUEERIMIST

- Kontrollige, kas sise- ja välisüksuste vahelised sidetorud on korralikult ühendatud.
- Veenduge, et kõik juhtmed on korralikult ühendatud.

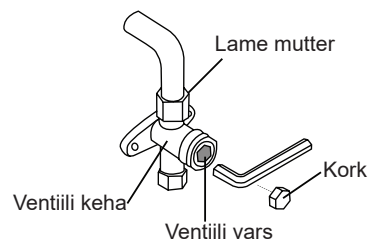
Eemaldamisejuhised

1. Ühendage kollektori gabariidi laadimisvoolik väliseadme madalsurveklappi hoolduspordiga.
2. Ühendage teine voolik kollektori gabariidist vaakumpumbaga.
3. Avage mitmekordse gabariidi madala rõhu külg. Hoida kõrge rõhu pool kinni.
4. Süsteemi tühjendamiseks lülitage vaakumpumpa sisse.
5. Laske vaakumil töötada vähemalt 15 minutit või seni, kuni ühendmõõtur näitab -76 cmHg (-10^5 Pa).



6. Sulgege kollektori gabariidi madal rõhukülg ja lülitage vaakumpump välja.
7. Oodake 5 minutit ja seejärel kontrollige, et süsteemi surve pole muutunud.

8. Kui süsteemirõhk muutub, vaadake jaotist "gaasilekete kontroll", et saada teavet lekke kontrollimise kohta. Kui süsteemi rõhk ei muutu, keerake pakitud klapi (kõrgsurveventiili) kate lahti.
9. Pange kuuskantvõtme sisse pakitud klapp (kõrgsurveventiil) ja avage klapp, keerates mutrivõtit 1/4 vastupäeva. Kuula gaasi väljumist süsteemist, seejärel sulge klapp 5 sekundi pärast.
10. Rõhumõõturit jälgige ühe minuti jooksul, et rõhk ei muutuks. Rõhumõõtja peaks lugema pisut kõrgemaks kui atmosfäärirõhk.
11. Eemaldage laadimisvoolik hoolduspordist.



12. Kuusnurkse mutrivõti abil avage täielikult nii kõrgsurve kui ka madalrõhuklapid.
13. Pingutage ventiili mütsid kõigil kolmel ventiilil (teenindussadam, kõrge rõhk, madal rõhk) käsitsi. Vajaduse korral võite selle veelgi pingutada.

! AVAGE VENTIILIVARRED HOOLIKALT

Ventiili varte avamisel, keerake kuuskantvõtit, kuni see avaneb korki suunas. Ärge proovige klappi suruda.

Märkus jahutusaine lisamise kohta

Mõned süsteemid nõuavad täiendavat laadimist sõltuvalt toru pikkustest. Standardtoru pikkus varieerub vastavalt kohalikele eeskirjadele. Näiteks Põhja-Ameerikas on standardne toru pikkus 7,5 m (25'). Teistes piirkondades on standardne toru pikkus 5m (16'). Külmutusaine peab olema laetud välisseadme madala rõhu ventiili teenindussadamast. Laetava täiendava külmutusagensi saab arvutada järgmise valemiga:

TÄIENDAV KÜLMUTUSAINE TORU PIKKUSE KOHTA

Sidetoru pikkus (m)	Õhuga Läbipuhumismeetod	Täiendav külmutusagens	
≤Standardse toru pikkus	Vaakumpump	N/A	
> Standard toru pikkus	Vaakumpump	Vedeliku külg: Ø 6,35 (ø 0,25 ") R32: (Toru pikkus – standardpikkus) x 12g/m (Toru pikkus – standard pikkus) x 0,13 oZ/ ft R290: (Toru pikkus – standardpikkus) x 10g/m (Toru pikkus – standard pikkus) x 0,10 oZ/ ft R410A: (Toru pikkus – standardpikkus) x 15g/m (Toru pikkus – standard pikkus) x 0,16 oZ/ ft R22: (Toru pikkus – standardpikkus) x 20g/m (Toru pikkus – standard pikkus) x 0,21 oZ/ ft	Vedeliku külg: Ø 9,52 (ø 0,375 ") R32: (Toru pikkus – standardpikkus) x 24g/m (Toru pikkus – standard pikkus) x 0,26 oZ/ ft R290: (Toru pikkus – standardpikkus) x 18g/m (Toru pikkus – standard pikkus) x 0,19 oZ/ ft R410A: (Toru pikkus – standardpikkus) x 30g/m (Toru pikkus – standard pikkus) x 0,32 oZ/ ft R22: (Toru pikkus – standardpikkus) x 40g/m (Toru pikkus – standard pikkus) x 0,42 oZ/ ft

R290 külmaaine puhul ei ole külmutusaine kogus suurem kui:

387g (< = 9000Btu/h), 447g (> 9000Btu/h ja < = 12000Btu/h), 547g (> 12000Btu/h ja < = 18000Btu/h), 632g (> 18000Btu/h ja < = 24000Btu/h).



ETTEVAATUST ÄRGE segage külmutusagensi tüüpe.

Elektri-ja gaasilekke kontroll

Enne proovisisselülitamine

Viige test läbi alles pärast järgmiste sammude tegemist:

- **Elektriohutuse Kontroll** – Veenduge, et seadme elektrisüsteem on ohutu ja töötab korralikult
- **Gaasilekke Kontrollimine** – Kontrollige kõiki kiinitamismutrite ühendusi ja veenduge, et süsteemis lekkeid pole
- Kinnitage, et gaas ja vedelik (kõrge ja madala rõhu) klapid on täielikult avatud

Elektrilised Ohutuskontrollid

Pärast paigaldamist veenduge, et kõik elektrijuhtmed on paigaldatud kohalikele ja riiklikele eeskirjadele ning vastavalt paigaldusjuhendile.

ENNE PROOVISISSELÜITAMINE

Kontrollige madalikule tööst

Möödetakse vankumiskindlus visuaalse avastamise ja maandusresistentsuse testija abil. Maanduskindlus peab olema väiksem kui 0,1 Ω .

Märge: See ei pruugi olla vajalik mõnes Põhja-Ameerika asukohas.

KATSE AJAL

Kontrollige Elektrilekke

Testkäivitamise ajal kasutage **põhjaliku** elektrilekke testi tegemiseks elektrisondi ja multimeetrit.

Elektrilekke tuvastamisel lülitage seadet kohe välja ja helistage litsentseeritud elektrikule, et lekke põhjust leida ja kõrvaldada.

Märge: See ei pruugi olla vajalik mõnes Põhja-Ameerika asukohas.



HOIATUS – ELEKTRILÖÖGI OHT

KÕIK JUHTMED PEAVAD VASTAMA KOHALIKELE JA RIIKLIKELE ELEKTRISEADKOODIDELE NING OLEMA PAIGALDATUD LITSENTSEERITUD ELEKTRIK.

Gaasilekete kontroll

Gaasilekete kontrollimiseks on kaks erinevat meetodit.

Seebi ja vee meetod

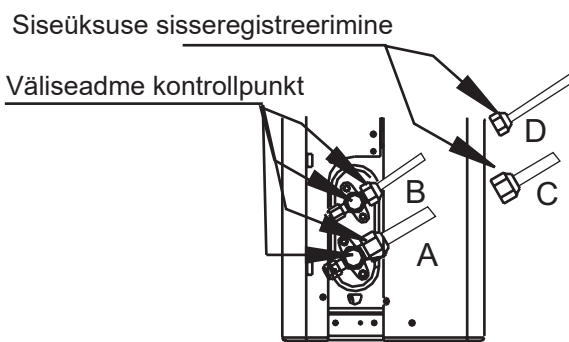
Kasutage pehme harja, kasutada seebi vee või vedeliku pesuvahendit kõik toru ühenduspunktid siseruumides üksus ja välisseadme. Mullide esinemine näitab lekkimist.

Lekkedetektori meetod

Kui kasutate lekkedetektorit, vaadake seadme kasutusjuhendit õigete kasutusjuhiste saamiseks.

PÄRAST GAASILEKETE KONTROLLIMIST

Pärast seda, kui olete veendunud, et kõik torude ühenduspunktid EI LEKI, vahetage välisseadme klapiakat.



- A: Madala rõhu stoppventiil
- B: Kõrge rõhu stoppventiil
- C & D: Siseruumides olevad raketimutrid

Proovisisselülitamine

Proovisisselülitamine juhised

Teati peab **tegema** vähemalt 30 minuti jooksul.

1. Ühendage seadet toiteallikga.
2. Vajutage kaugjuhtimispuldi **ON/OFF** nappu selle sisselülitamiseks.
3. Järgmiste funktsioonide sirvimiseks vajutage **MODE** nappu:
 - COOL (JAHU) – valige madalaim võimalik temperatuur
 - HEAT (KÜTE) – valige kõrgeim võimalik temperatuur
4. Laske igal funktsioonil 5 minutit töötada ja viige läbi järgmisi teste:

Läbiviidavate Testide Loend	PASS/EBAÕNNESTUDA	
Elektrileke puudub		
Üksus on nõuetekohaselt maandatud		
Kõik elektriterminalid on nõuetekohaselt kaetud		
Sise-ja välisüksused on kindlalt paigaldatud		
Kõik toru ühenduspunktid ei leke	Väljas (2):	Siseruumides (2):
Vesi voolab korralikult äravoolu voolik		
Kõik torustik on korralikult isoleeritud		
Üksus teeb COOL (JAHU) funktsiooni korralikult		
Üksus teeb HEAT (KÜTE) funktsiooni korralikult		
Siseruumides olevad valajad pöörlema korralikult		
Siseüksus reageerib kaugkontrollerile		

KAHEKORDSE KONTROLLI TORU ÜHENDUSED

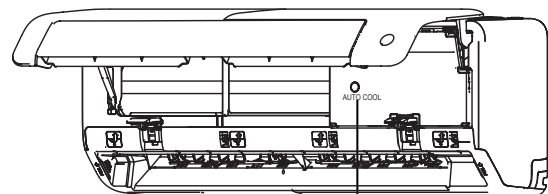
Töötamise ajal suureneb külmaaine vooluahela rõhk. See võib paljastada lekete, mis ei olnud teie esialgse lekke kontrolli ajal. Võtke aega test Run, et kontrollida, et kõik külmaaine toru ühenduspunktid ei ole lekib. Juhiste saamiseks vaadake jaotist **Gaasileke Kontroll**.

5. Kui Testkäivitus on edukalt lõpule viidud ja olete veendunud, et kõik läbiviidavate kontrollide loendis olevad kontrollpunktid on **LÄBI TEHTUD**, tehke järgmist:
 - a. Kaugjuhtimispuldi abil viige seadet tagasi normaalsele töötemperatuurile.
 - b. Isolatsiooniteibi abil mässige kinni neid külmutusagensiga torude ühendusi, mille jätsite siseseadme paigaldamise käigus katmata.

KUI ÜMBRITSEVA ÕHU TEMPERatuur ON ALLA 17 ° C (62 ° F)

Te ei saa kaugjuhtimispuldiga COOL-funktsiooni sisse lülitada, kui ümbritseva õhu temperatuur on alla 16°C. Sel juhul saab COOL-funktsiooni testimiseks **MANUAL CONTROL** nappu kasutada.

1. **MANUAL CONTROL** napp asub seadme parempoolsel külpaneelil.
2. COOL-funktsiooni valimiseks vajutage nappu 2 korda.
3. Tehke Testrun normaalseks.



Nappu MANUAL CONTROL (KÄSITSIJUHTIMINE)

Seadme pakkimine ja lahtipakkimine

Seadme pakkimise ja lahtipakkimise juhised:

Lahtipakkimine:

Siseruum:

1. Lõika noaga karbil olevat tihenduslinti, üks lõige vasakult, üks lõige keskelt ja üks lõige paremalt.
2. Kasutage tange, et eemaldada karbi ülaosas olevaid tihenduselemente.
3. Avage karp.
4. Võtke keskmist tugiplaati välja, kui see on komplektis olemas.
5. Võtke välja tarvikutega pakett ja eemaldage ühendusjuhe, kui see on komplektis olemas.
6. Võtke masin karbist välja ja asetage see tasasele pinnale.
7. Eemaldage vasak ja parem pakkevaht või ülemine ja alumine pakendivaht, ühendake pakendikott lahti.

Välisseade

1. Lõika tihendusrihm.
2. Võtke seade karbist välja.
3. Eemaldage seadmest pakkevaht.
4. Eemaldage seadmest pakendikott.

Pakkimine:

Siseruum:

1. Pange siseseade pakkekotti.
2. Kinnitage seadmele vasakut ja paremat pakkevahtu või ülemist ja alumist pakkevahtu.
3. Pange seadet karpi ja seejärel lisage tarvikutega paketti.
4. Sulgege karp ja sulgege see lisaks ka teibiga.
5. Vajadusel kasutage tihendusrihma.

Välisseadmed:

1. Pange välisseade pakkekotti.
2. Pange alumine pakkevaht karpi.
3. Pange seade karpi ja seejärel asetage seadmele ülemine pakkevaht.
4. Sulgege karp ja sulgege see lisaks ka teibiga.
5. Vajadusel kasutage tihendusrihma.



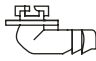
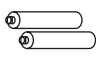


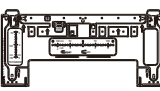




MÄRGE: Hoidke kõik pakkematerjalid alles, kui neid võib tulevikus vaja minna.

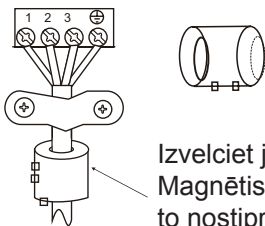
Instalācijas instrukcija

Piederumi	17
Uzstādīšanas kopsavilkums - lekštelpu iekārta	18
lekārtas daļas	19
lekštelpu detaļas uzstādīšana	20
1. Izvēlēties uzstādīšanas vietu	20
2. Piestipriniet pie sienas montāžas plāksni	20
3. Izurbiet sienā caurumu savienojošiem cauruļvadiem	21
4. Sagatavojiet dzesēšanas caurules	22
5. Pievienojiet ūdens izvadam	24
6. Savienojiet signāla un jaudas kabeļus	25
7. Cauruļvadu un kabeļu ietīšana	26
8. Piestipriniet iekštelpu detaļu	26
Āra ierīces uzstādīšana	27
1. Izvēlēties uzstādīšanas vietu	27
2. Instalējiet drenāžas locītavu	28
3. Nostipriniet āra detaļu.....	28
4. Savienojiet signāla un jaudas kabeļus	30
Dzesēšanas cauruļu savienojums	31
A. Piezīmes par caurules garumu	31
B. Pieslēgšanas instrukcijas – dzesēšanas šķidrums cauruļvads.....	31
1. Nogriezt cauruli.....	31
2. Noņemt urbjus	32
3. Uzliesmojums cauruļu galā.....	32
4. Cauruļu savienošana	32
Gaisa evakuācija	34
1. Evakuācijas instrukcijas.....	34
2. Piezīme par aukstumaģenta pievienošanu.....	35
Elektrības un Gāzes noplūdes pārbaudes	36
Testa pārbaude	37
Ierīces iepakojšana un izpakojšana	38

Piederumi

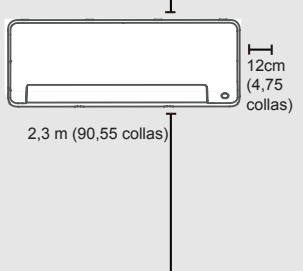
Gaisa kondicionēšanas sistēma ir komplektēta ar sekojošiem piederumiem. Izmantojiet visas instalācijas detaļas un aksesoriņus, lai uzstādītu gaisa kondicionēšanas ierīci. Neatbilstoša instalācija var radīt ūdens noplūdi, īssavienojumu un uzliesmojumu, var izraisīt ierīces nokrišanu. Detaļas, kas nav piegādātas kopā ar gaisa kondicionētāju, jāpērk papildus.

Piederumu nosaukumi	Sk. (gab).	Forma	Piederumu nosaukumi	Sk. (gab).	Forma
Rokasgrāmata	2-3		Tālvadības pults	1	
Savienojuma elements (dzesēšanas un sildīšanas modeļiem)	1		Baterijas	2	
Blīvējums (dzesēšanas un sildīšanas modeļiem)	1		Tālvadības pults turētājs (papildus)	1	
Montāžas plāksne	1		Fiksēšanas skrūves tālvadības pults turētājam (papildus)	2	
Balsts	5~8 (atkarībā no modeļiem)		Mazs filtrs (Nepieciešams uzstādīt galvenā filtra aizmugurē. To veic autorizētā servisa pārstāvis ierīces uzstādīšanas laikā).	1~2 (atkarībā no modeļiem)	
Montāžas plāksnes skrūves	5~8 (atkarībā no modeļiem)				

Nosaukums	Forma	Daudzums (Sk)	
Savienojošā cauruļu montāža	Šķidrā puse	Φ6,35 (1/4 collas)	Detaļas, kas jāiegādājas atsevišķi Konsultējaties ar dīleri par Jūsu iegādātai ierīcei atbilstošo cauruļu izmēru
		Φ9,52 (3/8 collas)	
	Gāzes puse	Φ9,52 (3/8 collas)	
		Φ12,7 (1/2 collas)	
		Φ16 (5/8 collas)	
		Φ19 (3/4 collas)	
Magnētiskais gredzens un josta (ja ir komplektācijā, lūdzu, skatiet elektroinstalācijas shēmu, lai to uzstādītu uz savienojuma kabeļa.)		Variācija pēc modeļiem.	

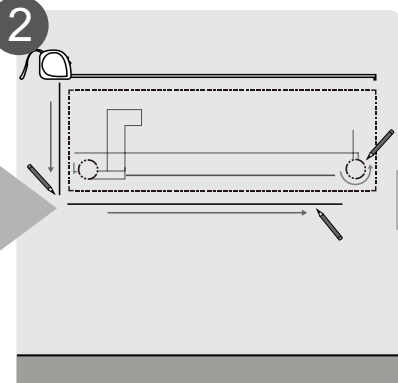
Uzstādīšanas kopsavilkums - Iekštelpu iekārta

- Attālumu no griestiem nosaka uzstādīšanas metode.

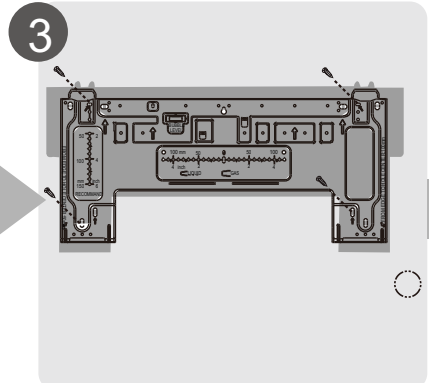


12cm (4,75 collas)
2,3 m (90,55 collas)
12cm (4,75 collas)

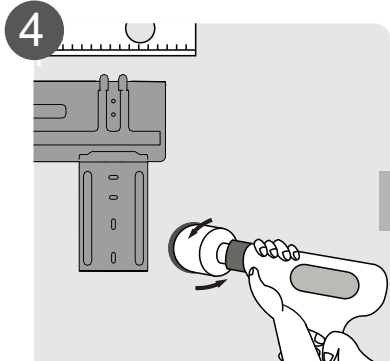
Izvēlieties uzstādīšanas vietu
- Noteikt caurumu veidošanas vietas sienā.



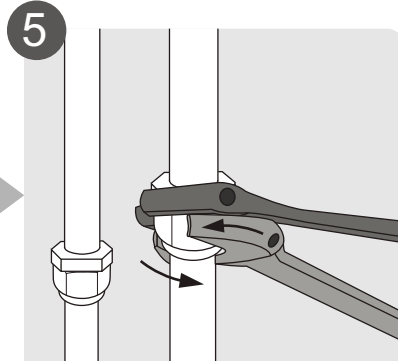
Noteikt caurumu veidošanas vietas sienā.
- Pievienot montāžas plāksni



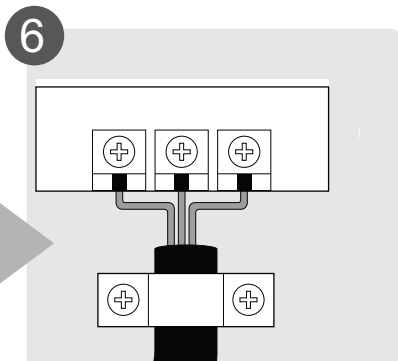
Pievienot montāžas plāksni
- Izurbt sienā caurumus



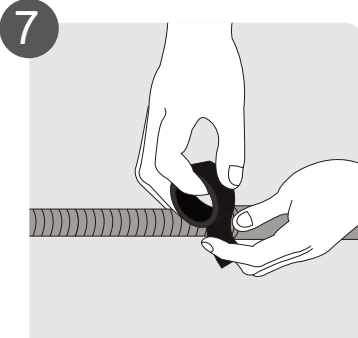
Izurbt sienā caurumus
- Savienot caurules



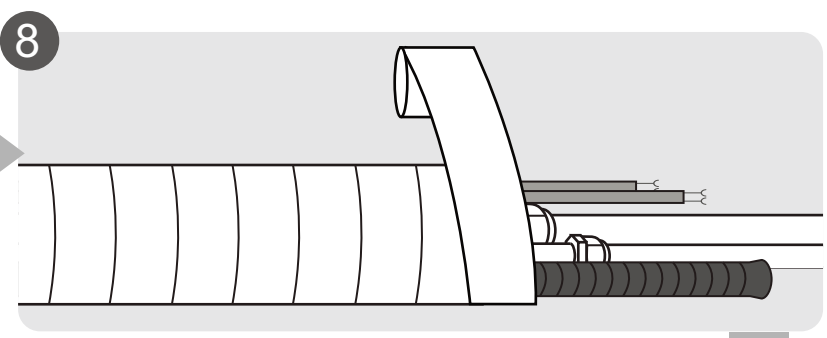
Savienot caurules
- Savienojiet vadus (neattiecas uz atsevišķām vietām Ziemeļamerikā)



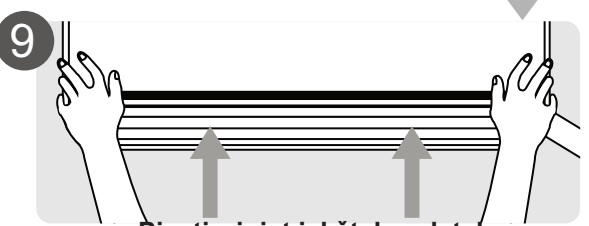
Savienojiet vadus
(neattiecas uz atsevišķām vietām Ziemeļamerikā)
- Sagatavot ūdens izvadu



Sagatavot ūdens izvadu
- Cauruļvadu un kabeļu ietīšana (neattiecas uz atsevišķām vietām Ziemeļamerikā)



Cauruļvadu un kabeļu ietīšana
(neattiecas uz atsevišķām vietām Ziemeļamerikā)
- Piestipriniet iekštelpu detaļu

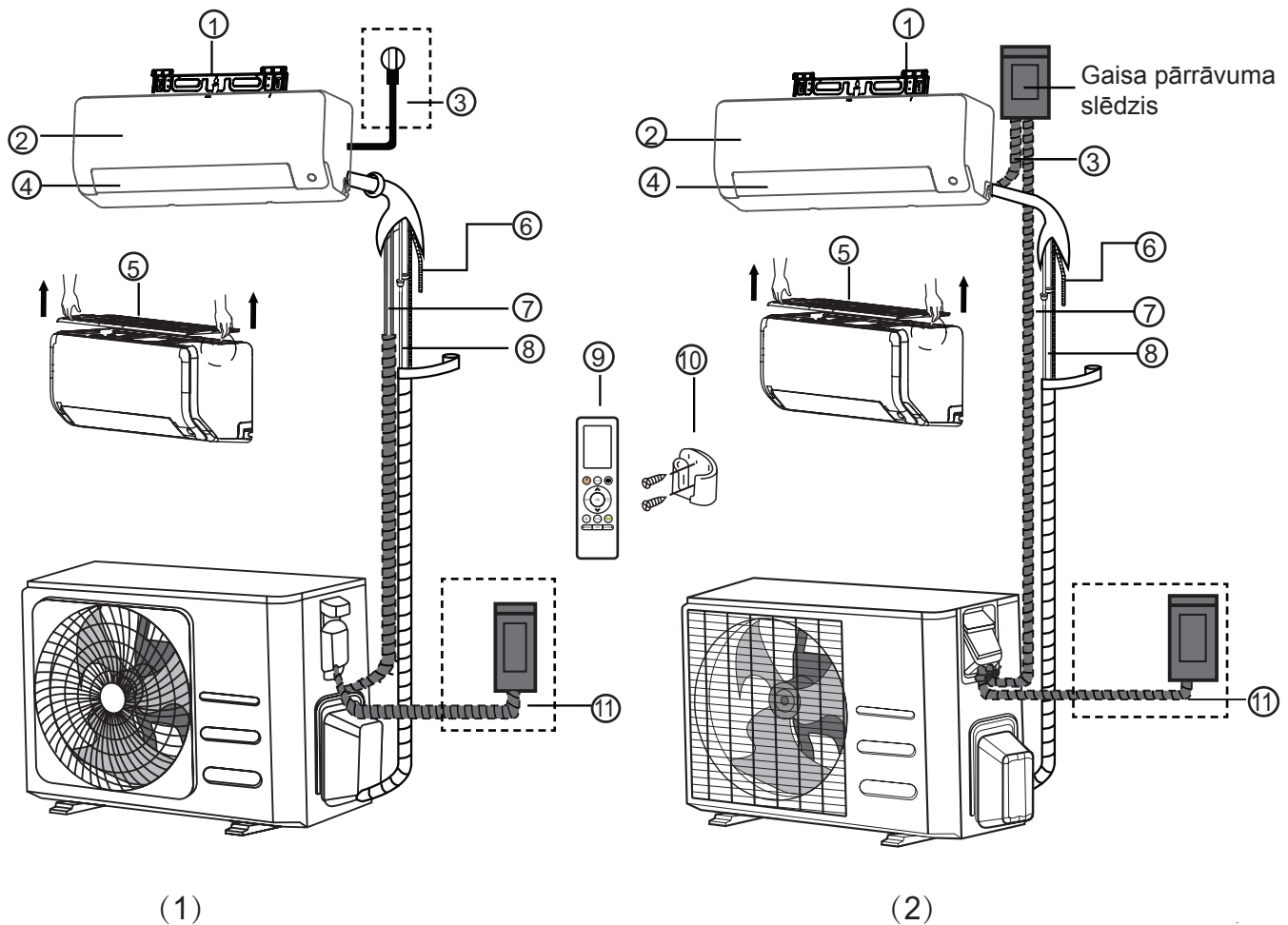


Piestipriniet iekštelpu detaļu

Uzstādīšanas kopsavilkums - Iekštelpu iekārta

Iekārtas daļas

PIEZĪME: Ierīces uzstādīšana ir veicama atbilstoši vietējiem un nacionālajiem standartiem. Ierīces uzstādīšana var mazliet atšķirties dažādās vietās.



- | | | |
|-------------------------------------|----------------------------------|---|
| ① Sienas montāžas plāksne | ⑤ Gaisa filtrs (izvelciet to) | ⑨ Tālvadības pults |
| ② Priekšējais panelis | ⑥ Drenāžas caurule | ⑩ Tālvadības pults turētājs (dažām ierīcēm) |
| ③ Barošanas kabelis (dažām ierīcēm) | ⑦ Signāla kabelis | ⑪ Āra bloka barošanas kabelis (dažām ierīcēm) |
| ④ Žalūzijas | ⑧ Dzesēšanas šķidrums cauruļvads | |

PIEZĪMES ILUSTRĀCIJĀM

Instrukcijā esošās ilustrācijas ir ar paskaidrojošo mērķi. Jūsu iekštelpas iekārtas aktuālais izmērs varētu būt diezgan atšķirīgs. Noteicošais ir aktuālais izmērs.

Iekštelpu ierīces uzstādīšana

Instalācijas instrukcijas - iekštelpu ierīce

PIRMS UZSTĀDĪŠANAS

Pirms iekštelpu ierīces uzstādīšanas, pievērsiet uzmanību produkta iepakojumam un pārliecinieties, ka iekštelpu modeļa numurs atbilst ārā modeļa numuram.

Solis 1: Izvēlēties uzstādīšanas vietu

Pirms uzstādīšanas iekštelpu vienības, jums ir jāizvēlas piemērotu atrašanās vietu. Zemāk esošie standarti palīdzēs izvēlēties ierīcei piemērotu vietu.

Piemērota uzstādīšanas vieta atbilst sekojošiem standartiem:

- Laba gaisa cirkulācija
- Ērta pieeja izvadam
- Ierīces troksnis netracēs cilvēkiem
- Stabila un izturīga - vieta nav pakļauta vibrācijai
- Pietiekami stingra, lai noturētu ierīces svaru
- Atrodas vismaz 1 metra attālumā no pārējā elektriskajām iekārtām (piemēram, TV, radio, datora)

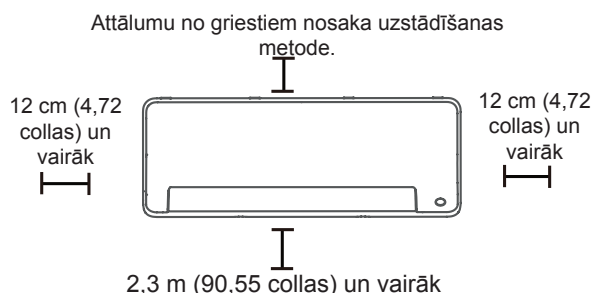
NEUZSTĀDIET ierīci šādās vietās:

- Blakus siltuma, tvaika vai degošas gāzes avotiem
- Blakus viegli uzliesmojošiem priekšmetiem, tādiem kā drēbes un aizskari
- Blakus jebkādiem šķēršļiem, kas var traucēt gaisa plūsmu
- Blakus durvīm
- Tiešā saules gaismā

PIEZĪMES PAR CAURUMIEM SIENĀ

Ja nav fiksētu dzesēšanas šķidrums cauruļvadu: Izvēloties atrašanās vietu, ņemiet vērā, ka jāparedz plaša vieta sienas caurumu izveidei (skatīt **Sienas caurumu izurbšana cauruļu savienošanai**) signāla kabelim, dzesēšanas caurulēm, kas savieno iekšējās un ārā detaļas. Noklusētā pozīcija visiem savienojumiem ir iekštelpu ierīces labajā pusē (skatoties uz ierīci). Lai kā, ierīcei var izvietot savienojumus abās pusēs - gan labā, gan kreisā.

Balstiities uz zemāk esošo shēmu, lai nodrošinātu atbilstošu distanci no sienas un griestiem:



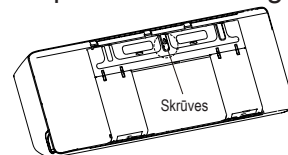
PIEZĪME:

- **Ja nav nepieciešams aizmugurējais turētājs, lai atbalstītu ierīci:**
Pabeidziet cauruļu un kabeļu savienošanu pirms iekštelpu bloka montāžas pie sienas. Ja uzstādīšanas augstums ir ierobežots, pieļaujams 5 cm no griestiem, taču tas var pazemināt ierīces veiktspēju. Lai nodrošinātu pietiekami daudz vietas augšējā gaisa filtra uzstādīšanai un noņemšanai, atstājiet vismaz 10 cm vai vairāk no griestiem.
- **Nepieciešams aizmugurējais turētājs, lai atbalstītu ierīci:**
Ja cauruļu un kabeļu savienošana notiek ar atvērtu priekšējo paneli, minimālajam attālumam no griestiem ir jābūt 22 cm vai vairāk, ja cauruļu un kabeļu savienošana notiek bez priekšējā paneļa (noņemiet to), minimālajam attālumam no griestiem ir jābūt 11 cm vai vairāk.

Solis 2: Piestipriniet pie sienas montāžas plāksni

Montāžas plāksne ir detaļa, uz kuras Jūs uzstādīsiet iekštelpu ierīci.

- Atvienojiet skrūves, kas pievieno montāžas plāksni iekštelpu ierīces aizmugurei



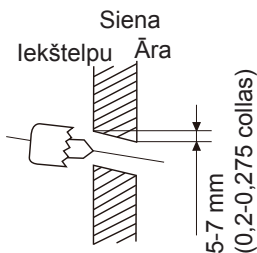
- Piestipriniet montāžas plāksni pie sienas ar komplektā esošām skrūvēm Pārliecinieties, ka montāžas plāksne labi pieguļ sienai.

PIEZĪMES BETONA VAI ĶIEĢĒLU SIENĀM

Ja siena ir no betona vai ķieģeļiem, vai kāda līdzīga materiāla, izurbiet 5mm diametru (0.2 in) caurumus sienā un ievietojiet komplektā esošos uzmaivas āķus. Nostipriniet montāžas plāksni piestiprinot skrūves tieši komplektā esošajiem āķu stiprinājumiem.

Solis 3: Izurbiet sienā caurumu savienojošiem cauruļvadiem.

1. Nosakiet atrašanās vietu sienas caurumam, balstoties uz montāžas plāksnes novietojumu. Skatīt montāžas plāksnes izmērus
2. Izmantojot 65mm (2,5 collas) vai 90mm (3,54 collas) (atkarībā no modeļiem) kodols urbis, urbt caurumu sienā. Pārliecinieties, ka caurums ir izurbts lejupejošā leņķī, tā kā āra izeja ir zemāk kā iekštelpu izeja par apmēram 5mm – 7mm (0,2 – 0,275 collas). Tas garantēs atbilstošu ūdens izvadīšanu



PIEZĪME: Jā gāzi savienojošā caurule ir $\Phi 16\text{mm}$ (5/8 collas) vai vairāk, sienas cauruma vajadzētu būt 90mm (3,54 collas).

3. Ievietojiet aizsargdetāļu sienas caurumā. Tas pasargā cauruma malas un palīdzēs noblīvēt, kad tiks pabeigts uzstādīšanas process.

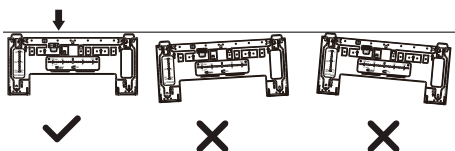
⚠ UZMANĪBU

Kad urbjiet caurumus sienā, pārliecinieties, ka tur nav vadi, plombējumi un citas svarīgas detaļas.

MONTĀŽAS PLĀKŠES IZMĒRI

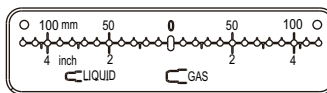
Dažādiem modeļiem ir dažādas montāžas plāks. Uzstādīšanas ērtībai uz montāžas plāksnes ir atzīmēti izmēri un pievienots spirta līmeņrādis. Lūdzu, uzstādiet plāksni un izurbiet caurumus sienā saskaņā ar informāciju uz montāžas plāksnes. Skatīt zemāk redzamos attēlus.

Montāžas plāksnes pareiza novietošana

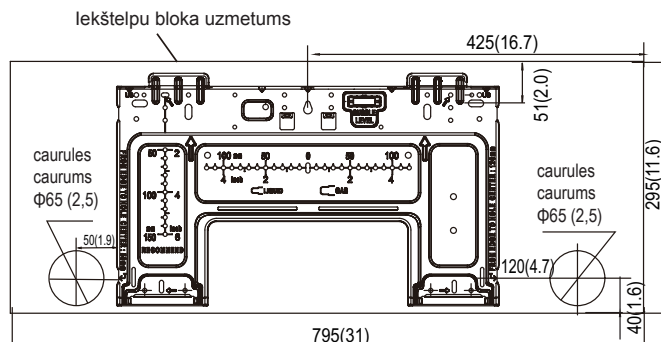


Vienība: (mm collas)

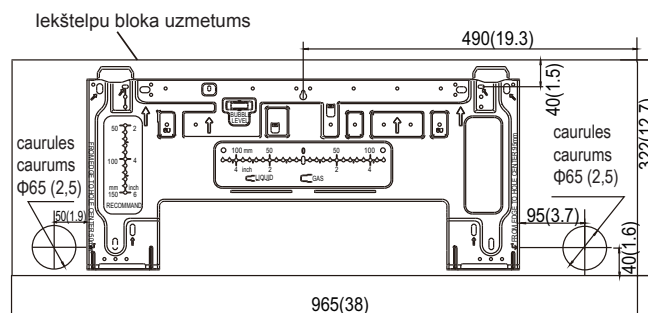
Horizontālā virziena lineāls



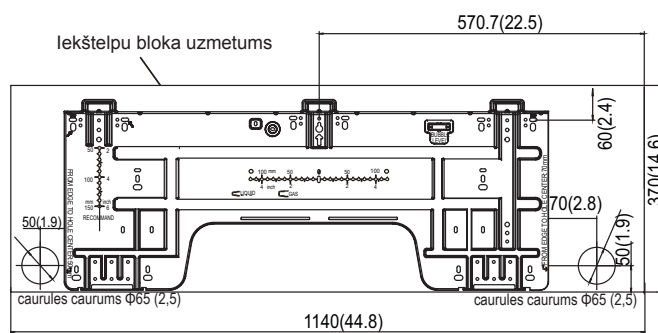
PIESARDZĪBA: Uz montāžas plāksnes esošo spirta līmeņrādi nevar noņemt. Ja tas ir bojāts, noīriet izlijušo šķidrumu.



Modelis A



B modelis



C modelis

lektēlpu ierīces
uzstādīšana

Solis 4: Sagatavojiet dzesēšanas caurules

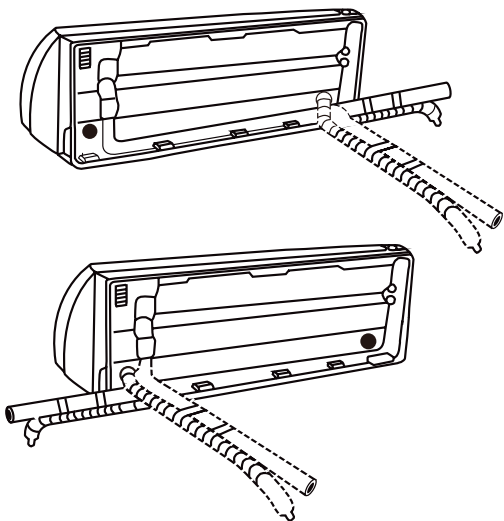
Dzesēšanas vadi atrodas izolācijas uzdevā, kas pietiprināta ierīces aizmugurē. Jums jāgatavo caurules pirms tās izstumt cauri sienas caurumam. Sīkāki norādījumi par cauruļu valcēšanu un valcēšanas griezes momenta prasībām, metodēm utt. ir atrodami šīs rokasgrāmatas sadaļā "Dzesēšanas šķidrums cauruļvadu savienošana".

PIEZĪMES PAR CAURUĻU LENĶI

Dzesēšanas šķidrums cauruļvadi var iziet no iekšējā bloka četros dažādos lenķos:

- Kreisā puse
- Kreisā aizmugurējā daļa
- Labā puse
- Labā aizmugurējā daļa

Sīkāka informācija ir sniegta tālāk redzamajos attēlos.



PIEZĪME PAR CAURUĻVADU SAVIENOŠANU

- Dažās ASV vietās kabeļa savienošanai jāizmanto caurule. Lai nodrošinātu pietiekami daudz vietas caurulēm un lai pēc uzstādīšanas ierīce atrastos pie sienas, ieteicams drenāžas šļūteni piestiprināt labajā pusē (kad esat vērsti pret ierīces aizmuguri).
- Izvēloties kreisās vai labās puses cauruļvadus, pārbaudiet, ka caurules iziet horizontāli, lai neietekmētu apakšējā paneļa uzstādīšanu.

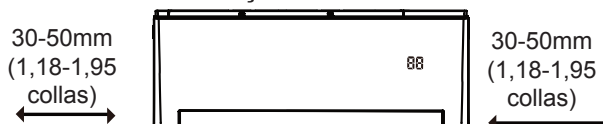
⚠ UZMANĪBU

Bet esiet īpaši uzmanīgi nesliekt cauruli, kamēr virziet to prom no ierīces. Jebkura liekums var ietekmēt ierīces sniegumu.

Ja dzesēšanas caurule jau ir iestiprināta sienā, tad rīkojieties sekojoši:

1. solis: Novietojiet iekšējā bloku uz montāžas plāksnes:

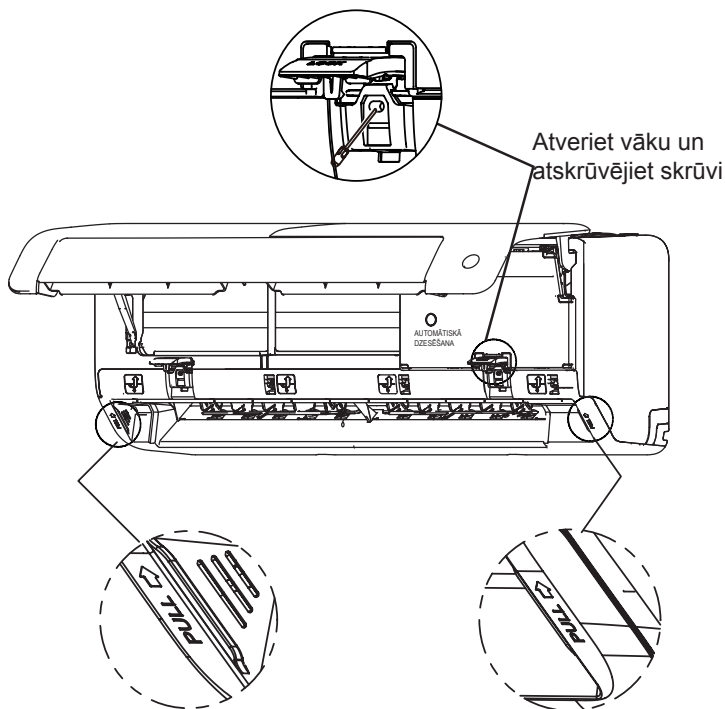
1. Nemiet vērā, ka āķi uz montāžas plāksnes ar mazāki kā caurumi ierīces aizmugurē. Ja konstatējat, ka nav pietiekami plaša telpa, lai pievienotu iestrādātos vadus iekšējā bloka ierīcei, ierīci var pabīdīt pa labi vai kreisi par apmēram 30-50 mm (1,18–1,95 collas), atkarībā no modeļa.



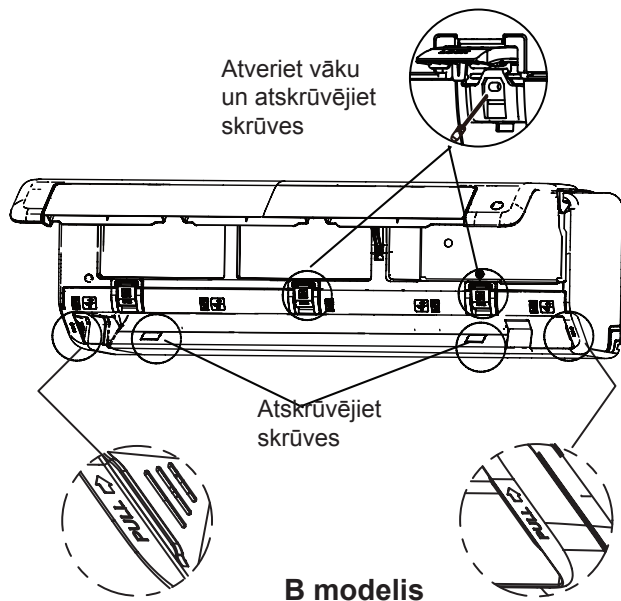
Pavirziet pa kreisi vai labi

Solis 2: Sagatavojiet dzesēšanas caurules

1. Atveriet un nostipriniet paneļa pozīciju, pēc tam atveriet abu bloķēšanas bloku vākus, atskrūvējiet attēlā redzamo skrūvi, tad turiet apakšējā paneļa abas puses vietā, kas atzīmēta ar "PULL", pavelciet to uz augšu, lai atbrīvotu aizdares, pēc tam noņemiet apakšējo paneli.

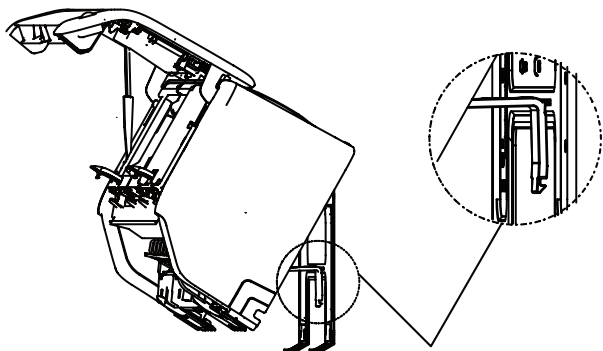


Modelis A



B modelis

2. Izmantojiet ierīces aizmugurē esošo turētāju, lai atbalstītu ierīci, nodrošinot pietiekami daudz vietas dzesēšanas šķidruma cauruļvadu, signāla kabeļa un drenāžas šļūtenes savienošanai.



Izmantojiet turētāju ierīces aizmugurē pret montāžas plāksni, lai atbalstītu ierīci

Solis 3: Savienojiet drenāžas šļūteni un dzesēšanas šķidruma cauruļvadus (instrukciju skatiet šīs rokasgrāmatas sadaļā "Dzesēšanas šķidruma cauruļvadu savienošana").

Solis 4: Turiet cauruļu savienojuma vietu atklātu, lai veiktu noplūdes pārbaudi (skat. sadaļu Elektriskā pārbaude un Noplūdes pārbaude šajā rokasgrāmatā).

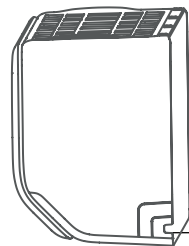
Solis 5: Pēc noplūžu pārbaudes veikšanas, pārtīniet savienojumu ar izolācijas lentu.

Solis 6: Noņemiet kronšteinu vai ķīli, kas piestiprināts ar izolācijas lentu.

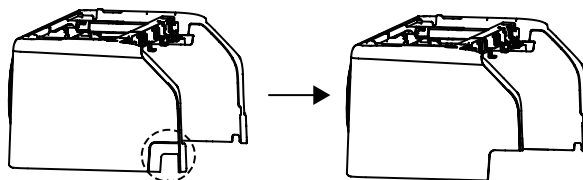
Solis 7: Ar vienmērīgu spiedienu, piespiediet ierīces apakšdaļai. Spiediet, kamēr ierīce ar krakšķi uzāķējas montāžas plāksnes apakšā esošajiem āķiem.

Ja sienā nav iebūvēts dzesēšanas šķidruma cauruļvads, rīkojieties sekojoši:

1. Balstoties uz sienas caurumu pozīciju pret montāžas plāksni, izvēlēties no kuras puses caurules tiks izvadītas no ierīces.
2. Ja sienas caurums ir aiz ierīces, atstājiet aizsargpaneli savā vietā. Ja sienas caurums ir iekštelpu iekārtas sānos, noņemiet plastmasas aizsargpaneli no ierīces sāniem. (Skat. attēlu zemāk). Tas izvedos spraugu, pa kuru caurules varēs izvadīt no ierīces. Ja plastmasas paneli ir grūti noņemt, tā noņemšanai izmantojiet plastmasas knaibles.



Izgrieziet paneli (grieziet atkarībā no faktiski nepieciešamā izmēra)



Ja nepieciešams sagrieziet liela izmēra plastmasas paneli, griezt, kā parādīts iepriekš.

3. Ar šķērēm nogrieziet izolācijas uznavas garumu, lai atklātu aptuveni 40 mm (1,75 collas) garu dzesēšanas šķidruma cauruļvadu. Tas nepieciešams diviem mērķiem:
 - Lai atvieglotu dzesēšanas šķidruma cauruļvadu savienošanas procesu.
 - Lai atvieglotu gāzes noplūdes pārbaudes un ļautu jums pārbaudīt, vai nav radušies iespaidumi.
4. Izmantojiet ierīces aizmugurē esošo turētāju, lai atbalstītu ierīci, nodrošinot pietiekami daudz vietas dzesēšanas šķidruma cauruļvadu, signāla kabeļa un drenāžas šļūtenes savienošanai.
5. Savienojiet iekštelpu bloka dzesēšanas šķidruma cauruļvadu ar cauruļvadu, kas savienos iekštelpu un āra bloku. Skatīt dzesēšanas cauruļu savienošana detalizētākai informācijai.
6. Pamatojoties uz sienas atveres novietojumu attiecībā pret montāžas plāksni, nosakiet nepieciešamo cauruļvadu leņķi.
7. Satveriet dzesēšanas šķidruma cauruļvadu pie līkuma pamatnes.
8. Lēnām, pielietojot vienmērīgu spiedienu, salieciet cauruļvadu pret atveri. Procesa laikā **nesabojā** cauruļvadus un neradiet iespaidumus.

Solis 5: Pievienojiet ūdens izvadam.

Uzstādījumos, ūdens izvada pievienošana ir paredzēta ierīces kreisajā pusē (kad skatieties uz ierīci). Lai kā, to var pievienot arī ierīces labajā pusē. Lai garantētu atbilstošu drenāžu, pievienojiet ūdens izvadā tajā pat pusē, kur ir ierīces dzesēšanas caurules.

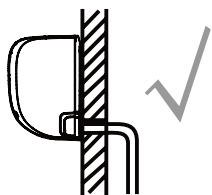
PIEZĪME: Dažās ASV vietās, ja ierīcei ir uzstādīts cauruļu panelis, lūdzu, izvēlieties labās puses drenāžu.

- Stingri notiniet savienojama vietas Teflona lentu, lai novērstu noplūdes un būtu laba izolācija.
- Noņemiet gaisa filtru un ielejiet nelielu ūdens daudzumu drenāžas tvertnē, lai pārlicinātos, ka ūdens no ierīces izplūst vienmērīgi.

! PIEZĪMES PAR ŪDENS IZVADA NOVIETOJUMU

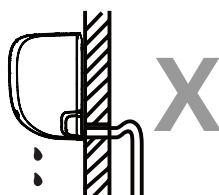
Pārlicinieties, ka ūdens izvads ir novietots atbilstoši sekojošiem parametriem.

- ⊘ **NELOCIET** drenāžas šļūteni.
- ⊘ **NEVEIDOJIET** ūdens nosēdinātāju.
- ⊘ **NELIECIET** drenāžas šļūtenes galu ūdenī vai traukā, kurā uzkrājas ūdens.



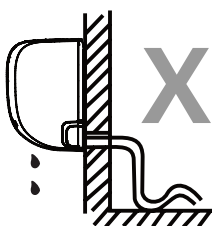
PAREIZI

Pārlicinieties, ka nav liekumi vai locījumi, kas traucētu ūdens izvadīšanu.



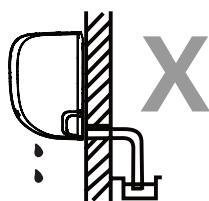
NAV PAREIZI

Mezglī ūdens izvadā var radīt ūdens aizsprostojumus.



NAV PAREIZI

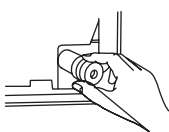
Mezglī ūdens izvadā var radīt ūdens aizsprostojumus.



NAV PAREIZI

Netīriet ūdens izvada cauruli ūdenī vai traukus, kas satur ūdeni. Tas traucēs drenāžai.

AIZBĀZIET NEIZMANTOTO CAURUMU



Lai izvairītos no nevajadzīgām noplūdēm, aizbāziet nevajadzīgos izvada caurumus ar gumijas korķi.

! PIRMS JEBKĀDIEM ELEKTRO DARBIEM, IZLASIET SEKOJOŠOS NOTEIKUMUS

1. Visai elektroinstalācijai jāatbilst vietājiem un nacionāliem elektroinstalācijas noteikumiem, regulējumiem un jābūt sertificēta elektriķa instalētiem.
2. Visi elektriski savienojumi ir izveidojami saskaņā ar Elektrisko Savienojumu Shēmu, kas atrodama uz telpu un āra iekārtu paneļiem.
3. Ja ir nopietnas problēmas ar strāvas padevi, nekavējoties pārtrauciet darbu. Paskaidrojiet savu attiekuma iemeslu klientam, un atsakieties instalēt ierīci līdz visi drošības jautājumi ir atrisināti
4. Jaudas spriegumam jābūt 90-110 % robežās no noteiktā sprieguma. Nepietiekams spriegums var radīt darbības traucējumus, elektrošoku vai ugunsgrēku.
5. Ja strāvas padeve tiek pieslēgta fiksētai elektroinstalācijai, jāuzstāda pieplūsuma aizsargierīce un galvenais strāvas slēdzis.
6. Ja pieslēguma jauda pie esošas instalācijas, slēdzis vai sprieguma svārstību slēdzis, kas atvieno polus un ir ar kontaktu dalījumu vismaz 1/8 in (3mm) ir iekļaujams fiksētajā instalācijā. Kvalificētam elektriķim jāizmanto atbilstošs slēdzis vai strāvas pārveidotājs
7. Pievienojiet tikai īpaši paredzētai rozetei. Netīriet rozetei nepievienojiet citu iekārtu.
8. Pārlicinieties, ka gaisa kondicionētājs ir atbilstoši saņemts.
9. Katram vadam jābūt stingri nostiprinātam. Vaļīga elektroinstalācija var izraisīt termināla uzkaršanu, radot darbības traucējumu un ugunsgrēku.
10. Netīriet vadiem balstīties uz dzesēšanas caurulēm vai pieskarties tām, kā arī kompresoram vai citām kustīgām daļām ierīcē.
11. Ja ierīcei ir papildus sildītājs, tad jābūt instalētam vismaz 1 m(40 in) attālumā no viegli uzliesmojošiem materiāliem.
12. Lai izvairītos no strāvas trieciena, nekad nepieskarities tikko izslēgtām detaļām. Pēc izslēgšanas, vienmēr gaidiet desmit minūtes vai vairā, ja nepieciešams pieskarties elektriskām detaļām.

! BRĪDINĀJUMS

PIRMS JEBKĀDU ELEKTRISKO DARBU VEIKŠANAS, IZSLĒDZIET IERĪCI.

Solis 6: Savienojiet signāla un jaudas kabeļus.

Signāla kabelis nodrošina komunikāciju starp āra un iekšējo ierīci. Iesākumā Jums jāizvēlas pareizais kabeļa izmērs, lai izveidotu savienojumu.

Kabeļu veidi

- **Iekštelpu vada kabelis** (ja piemērots) HH05VV-F or H05V2V2-F
- **Āra jaudas kabelis** H07RN-F or H05RN-F
- **Signāla kabelis:** H07RN-F

PIEZĪME: Ziemeļamerikā izvēlieties kabeļa tipu saskaņā ar vietējiem elektrotehniskajiem kodeksiem un noteikumiem.

Minimālais šķersgriezums jaudas un signāla kabelim (skatīt) (neattiecas uz Ziemeļameriku)

Iekārtas nominālā strāva (A)	Nominālais šķersgriezuma laukums (mm ²)
> 3 un ≤ 6	0,75
> 6 un ≤ 10	1
> 10 un ≤ 16	1,5
> 16 un ≤ 25	2,5
> 25 un ≤ 32	4
> 32 un ≤ 40	6

IZVĒLĒTIES PAREIZO KABEĻA IZMĒRU

Jaudas padeves, signāla kabeļa izmērs, drošinātāji un slēdzis ir nepieciešami atbilstoši iekārtas maksimālās strāvas lielumam.

Maksimālās strāva ir norādīta uz nosaukuma plates, kas atrodas uz ierīces sānu paneļa. Skatīties nosaukuma platē, lai noskaidrotu kādu kabeli, drošinātāju vai slēdzi izvēlēties.

PIEZĪME: Ziemeļamerikā, lūdzu, izvēlieties pareizo kabeļa izmēru saskaņā ar minimālo griešanās ātrums norādīts uz nosaukuma plāksnes vienības.

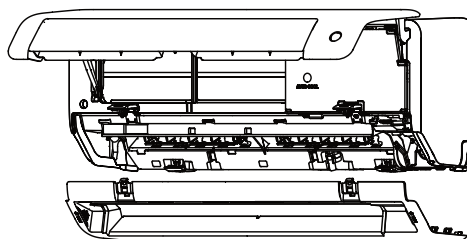
1. Atveriet paneli un nostipriniet tā pozīciju, pēc tam atveriet divu bloķēšanas bloku vākus, atskrūvējiet skrūvi, tad turiet abas apakšējā paneļa puses vietā, kas atzīmēta ar "PULL", velciet to uz augšu, lai atbrīvotu aizdares, pēc tam noņemiet apakšējo paneli (skatīt 22.-23. lpp.).
2. Atveriet vadu kastes vāku, lai pievienotu kabeli.
3. Atskrūvējiet kabeļa skavu zem termināla bloka un novietojiet to sānos.
4. Pagriežot iekārtas aizmuguri pret sevi,

noņemiet plastmasas paneli no ierīces augšpusē kreisās puses.

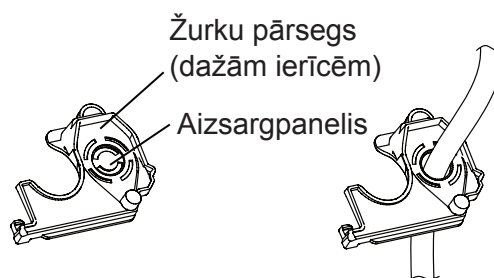
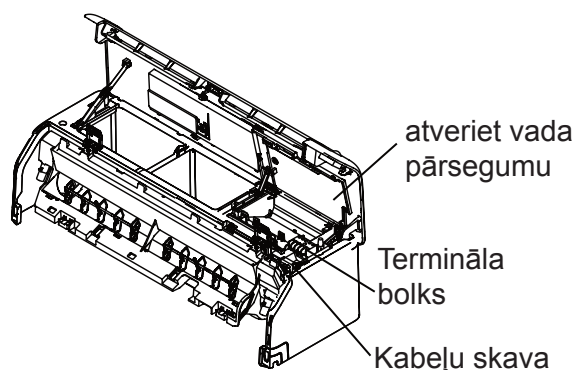
BRĪDINĀJUMS

VISA ELEKTROINSTALĀCIJA VEICAMA SASKAŅĀ AR ELEKTROINSTALĀCIJAS SHĒMU IEKŠTELPU IEKĀRTAS PRIEKŠĒJĀ PANEĻA AIZMUGURĒ.

5. Pārvelciet signāla vadu no aizmugures un ierīces priekšpusi.
6. No ierīces priekšpusē savienojiet vadus saskaņā ar ierīces elektrosinstalācijas diagrammu, savienojiet u-lug un cieši pieskrūvējiet katru vadu atbilstošam terminālim.



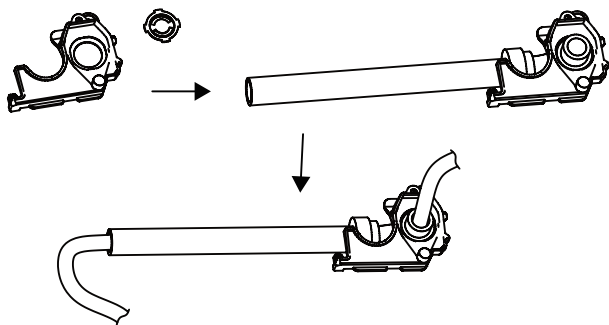
Vispirms atveriet priekšējo paneli, pēc tam noņemiet apakšējo paneli.



PIEZĪME: Ja kabeļa izmērs ir pārāk liels, noņemiet vidējo nelielo plastmasas paneli, lai izveidotu spraugu, caur kuru var iziet kabelis. Ja vēlaties noņemt šasiju vai drenāžas šļūteni, vispirms noņemiet žurku pārsegu.

Ziemeļamerikā

Vispirms noņemiet izvelkamo paneli, lai izveidotu spraugu, caur kuru var ievietot caurules vadu. Pēc tam izvelciet kabeli caur caurules vadu un savienojiet to ar iekštelpu bloku.



! UZMANĪBU

NETĪRIET NULLES UN FĀZUS VADUS.

Tas ir bīstami un var izraisīt gaisa kondicionētāja darbības tracējumus.

7. Pēc pārbaudes pārliedzieties, ka katrs savienojums ir drošs, izmantojiet kabeļa skavas, lai piestiprinātu signāla kabeli ierīcei. Cieši pieskrūvējiet kabeļa skavas.
8. Nomainiet vadu vāku ierīces priekšpusē un plastmasas paneli aizmugurē.

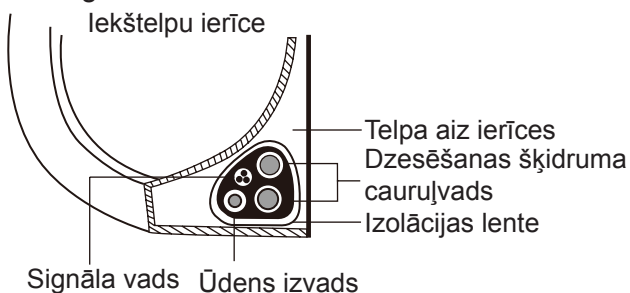
! PIEZĪMES PAR SAVIENOJUMIEM

VADU SAVIENOŠANAS PROCESS VAR ATŠKIRTIES DAŽĀDĀM IERĪCĒM UN REĢIONIEM.

Solis 7: Kabeļi un ietīšana

Pirms cauruļvadu, drenāžas šļūtenes un signāla kabeļa izvilkšanas caur sienas atveri tie ir jāsavieno kopā, lai ietaupītu vietu, aizsargātu un izolētu (tas var nebūt piemērojams atsevišķās vietās ASV).

1. Sasieniet kopā ūdens izvada, dzesēšanas un signāla caurules kā norādīts zemāk:



ŪDENS IZVADAM JĀBŪT APAKŠĀ

Pārliedzieties, ka ūdens izvads ir apakšā. Ūdens izvada caurules novietošana saišķa virspusē var izraisīt ūdens izvada pārplūdi, kas savukārt var izraisīt ugunsgrēku un vai ūdens bojājumus.

NETĪRIET SIGNĀLA KABELI KOPĀ AR CITIEM VADIEM

Kamēr tīriet vadus kopā, signāla kabeli neietīniet pārējās vadus.

2. Izmantojiet vinila līmlentu, pievienojiet ūdens izvada dzesēšanas cauruļu apakšā.
3. Izmantojot izolācijas lentu, satīniet signāla vadu, dzesēšanas vadus un izvada cieši kopā. Divreiz pārbaudiet visus kopā saītos priekšmetus.

NETĪRIET CAURUĻU GALUS

Kad satīniet pinumu, tad vadu galus atstājiet neietītus. Jums būs nepieciešams tiem piekļūt, lai pārbaudītu noplūdes instalācijas procesa beigā (skatīt lietošanas instrukcijā **Elektriskās instalācijas pārbaude un Noplūžu pārbaude**)

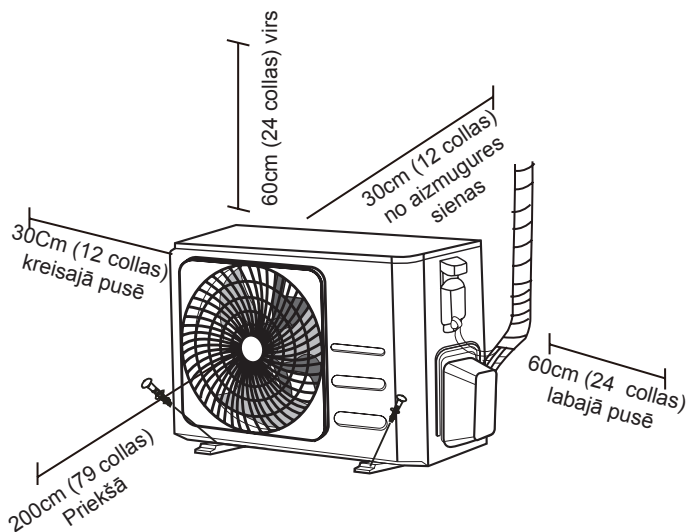
Solis 8: Piestipriniet iekštelpu detaļu

Ja ārā blokam uzstādījāt jaunus savienojuma cauruļvadus, veiciet šādas darbības:

1. Ja Jums ir ir izvilkta dzesēšanas caurule caur sienas caurumu, tad turpiniet ar Soli 4.
2. Pretējā gadījumā, divreiz pārbaudiet, vai dzesēšanas cauruļu gali ir izlotēti, pasargājot tos no netīrumiem or svešķermeņu nokļūšanas caurulēs.
3. Lēnām izstumjiet savītos dzesēšanas cauruļu, ūdens izvada un signāla vadus caur caurumu sienā.
4. Piestipriniet iekštelpu ierīces augšpusi pie montāžas plāksnes augšējiem stiprinājumiem.
5. Pārliedzieties, vai ierīce ir stingri nostiprināta, viegli paspiežot ierīces labo vai kreiso pusi. Ierīce nedrīkst šūpoties vai šķobīties.
6. Ar vienmērīgu spiedienu, piespiediet ierīces apakšdaļai. Spiediet, kamēr ierīce ar krakšķi uzāķējas montāžas plāksnes apakšā esošajiem āķiem.
7. Atkal pārbaudiet, viegli paspiežot labo un kreiso pusi, vai ierīce ir stingri nostiprināta.

Āra ierīces uzstādīšana

Uzstādiet ierīci sekojot vietējiem regulējumiem un noteikumiem, tie var variēt dažādos reģionos.



Instalācijas instrukcijas – Āra ierīcei

Solis 1: Izvēlēties uzstādīšanas vietu

Pirms āra ierīces uzstādīšanas, Jums jāizvēles piemērota atrašanās vieta. Zemāk esošie standarti palīdzēs izvēlēties ierīcei piemērotu vietu.

Piemērota uzstādīšanas vieta atbilst sekojošiem standartiem:

- Atbilstiet visām telpiskām prasībām, kas parādīts Uzstādīšanas telpiskās prasībās.
- Laba gaisa cirkulācija un ventilācija
- Cieta un stabila - atrašanās vietai jābalsta ierīce un tā nevar tik pakļauta vibrācijām
- Ierīces troksnis nevar traucēt citiem.
- Jābūt aizsargātam no ilgstošiem lietus un tiešas saules gaismas periodiem.
- Ja gaidāma snigšana, veiciet atbilstošus pasākumus, lai novērstu ledu uzkrāšanos un spirāles bojājumus.

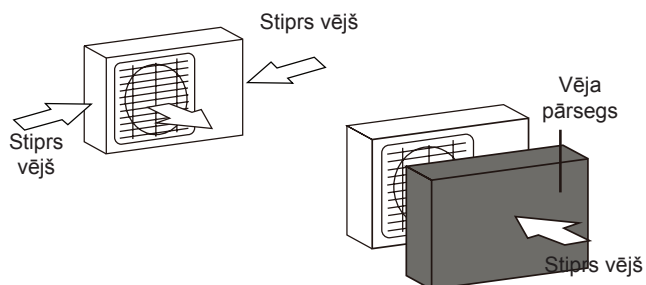
NETĪRIET iekārtu sekojošās vietās:

- ⊘ Nenovietojiet tuvu šķēršļiem, kas var bloķēt gaisa piekļuvi vai izvadu.
- ⊘ Netālu no valsts ielas, pārpildītas teritorijas, vai kur troksnis no vienības traucēs citus
- ⊘ Blakus dzīvniekiem vai augiem, kas tiks nodarīts kaitējums ar karstā gaisa novadīšanu
- ⊘ Netālu no jebkura degošas gāzes avota
- ⊘ Vietā, kas ir pakļauta lielam putekļu daudzumam
- ⊘ Vietā, kas pakļauta lielam daudzumam sāļā gaisa.

ĪPAŠI NORĀDĪJUMI EKSTREMĀLIEM LAIKA APSTĀKĻIEM.

Ja ierīce ir pakļauta stipra vēja iedarbībai:

Uzstādiet ierīci tā, lai gaisa izvads ir 90° lenķī tieši pret vēja virzienu. Ja nepieciešams, izveidojiet barjeru, kas aizsargātu ierīci no īpaša stipra vēja. Skatīt diagrammas zemāk



Ja ierīce bieži tiek pakļauta stipram sniegam vai lietum:

Uzbūvējiet nojumi virs ierīces, lai pasargātu to no lietus vai sniega. Uzmanieties, lai nenobloķētu gaisa plūsmu ap ierīci.

Ja ierīce ir bieži pakļauta sāļam gaisam (jūrmala):

Izmantojiet ierīci, kas ir īpaši izturīga pret koroziju.

Solis 2: Uzstādiet notekas savienojumu (Siltumsūkņa ierīcei tikai)

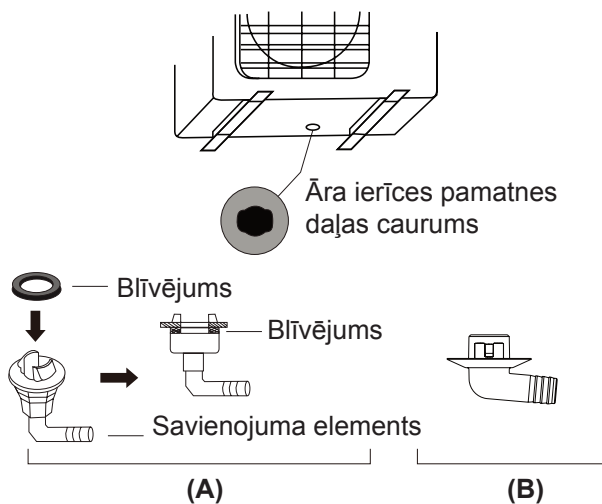
Pirms āra ierīces pieskrūvēšanas, Jums jāuzstada ierīces ūdens izvada savienojums. Ņemiet vērā, ka ir divi dažādi veidu izvada savienojumi, atkarībā no āra ierīces veida.

Ja izvada savienojums ir gumijas blīvējumu (skatīt Att. A), rīkojieties sekojoši:

1. Ievietojiet gumijas blīvi savienojuma galā, kad savienosiet ar āra ierīci.
2. Ievienojiet savienojumu ierīces pamatnes caurulē.
3. Ierīces priekšpusē groziet izvada savienojumu 90°, kamēr tā noklikšķ.
4. Savienojiet izvada caurules pagarinājumu (nav iekļauts) savienojuma vietai, lai novirzītu ūdeni no ierīces tās sildīšanas laikā.

Ja izvads nav kopā ar gumijas blīvējumu (skatīt Fig. B), rīkojieties sekojoši:

1. Ievienojiet savienojumu ierīces pamatnes caurulē. Izvada savienojums ar klikšķi ieies vietā.
2. Savienojiet izvada caurules pagarinājumu (nav iekļauts) savienojuma vietai, lai novirzītu ūdeni no ierīces tās sildīšanas laikā.



! AUKSTĀ LAIKĀ

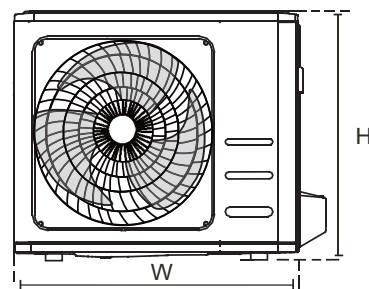
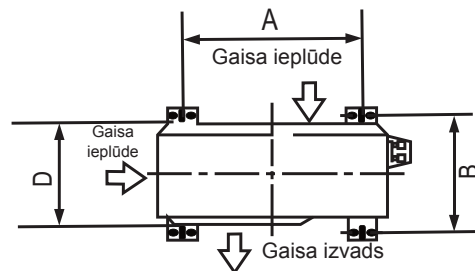
Aukstā laikā pārliecinieties, ka izvads cik vertikāli, cik vien iespējams, lai nodrošinātu ātru ūdens izvadu. Ja ūdens aizplūst pārāk lēnu, tad tas var caurulē sasalt un nopludināt ierīci.

Solis 3: Nostipriniet āra detaļu

Āra ierīces var tikt nostiprināta pie zemes vai pie sienas - montāžas kronšteins ar skrūvēm(M10). Sagatavojiet uzstādīšanas pamatni, balstoties uz zemāk esošajiem norādījumiem.

IERĪCES MONTĀŽAS IZMĒRI

Sekojošie ir dažādu āra ierīču izmēri un distance starp montāžas kājam. Sagatavojiet uzstādīšanas pamatni, balstoties uz zemāk esošajiem norādījumiem.



Āra bloka izmēri (mm) P × A × D	Montāžas izmēri	
	Attālums A (mm)	Attālums B (mm)
681x434x285 (26,8"x 17,1"x 11,2")	460 (18,1")	292 (11,5")
700x550x270 (27,5"x 21,6"x 10,6")	450 (17,7")	260 (10,2")
700x550x275 (27,5"x 21,6"x 10,8")	450 (17,7")	260 (10,2")
720x495x270 (28,3"x 19,5"x 10,6")	452 (17,8")	255 (10,0")
728x555x300 (28,7"x 21,8"x 11,8")	452 (17,8")	302(11,9")
765x555x303 (30,1"x 21,8"x 11,9")	452 (17,8")	286(11,3")
770x555x300 (30,3"x 21,8"x 11,8")	487 (19,2")	298 (11,7")
805x554x330 (31,7"x 21,8"x 12,9")	511 (20,1")	317 (12,5")
800x554x333 (31,5"x 21,8"x 13,1")	514 (20,2")	340 (13,4")
845x702x363 (33,3"x 27,6"x 14,3")	540 (21,3")	350 (13,8")
890x673x342 (35,0"x 26,5"x 13,5")	663 (26,1")	354 (13,9")
946x810x420 (37,2"x 31,9"x 16,5")	673 (26,5")	403 (15,9")
946x810x410 (37,2"x 31,9"x 16,1")	673 (26,5")	403 (15,9")

Ja iekārtu uzstādīsiet uz grīdas vai uz betona pamatnes, tad:

1. Atzīmējiet atrašanās vietu četrām skrūvēm, balstoties uz izmēru diagrammu.
2. Sagatavojiet caurumus skrūvēm.
3. Uzlieciet uzgali katras skrūves galā.
4. Iesiet skrūves iepriekš sagatavotajos caurumos.
5. Noņemiet uzgaļus nos skrūvēm, un novietojiet ierīci uz skrūvēm.
6. Uzlieciet līdzekli uz katras skrūves, tad nomainiet uzgaļus.
7. Izmantojot uzgriežņa atslēgu, pievelciet katru uzgriežni līdz galam.



BRĪDINĀJUMS

KAD URBIET BETONĀ, VIENMĒR IETEICAMA ACU AIZSARBĪBA.

Ja uzstādīsiet ierīci un sienas montāžas kronšteina, rīkojieties sekojoši:



UZMANĪBU

Pārliedziniet, ka siena ir veidota ķieģeļa, betona vai līdzīga stingra materiāla. **Sienair jābūt spējīgais balstīt vismaz 4 reizes smagāku svaru kā ierīcei.**

1. Atzīmējiet kronšteina caurumus, vadoties no izmēru tabulas.
2. Ieurbjiet skrūvju caurumus
3. Novietojiet paplāksni un uzgriežni un katras skrūves.
4. Ieskrūvējiet skrūves sienā caur montāžas kronšteinu, ievietojiet kronšteinus pareizā vietā un iesiet skrūves sienā.
5. Pārbaudiet, vai kronšteinu ir nolīmeņoti.
6. Rūpīgi novietojiet ierīci un uzāķējiet to uz stiprinājumiem.
7. Pieskrūvējiet ierīci kronšteinu.
8. Ja atļauts, instalējiet ierīci ar gumijas blīvējumu, lai samazinātu vibrācijas un troksni.

Solis 4: Savienojiet signāla un jaudas kabaeļus.

Āra ierīces termināla bloks ir aizsargāts ar elektriski veramu vāku ierīces sānos. Visaptverošana instalācijas shēma ir uzdrukāta uz vadu nodalījuma vāka iekšpusē.



BRĪDINĀJUMS

PIRMS JEBKĀDU ELEKTRISKO DARBU VEIKŠANAS, IZSLĒDZIET IERĪCI.

1. Sagatavojiet kabeli savienošanai:

IZMANTOJIET PAREIZO KABELI

Lūdzu, izvēlieties pareizo kabeli, skatiet sadaļu "Kabeļu veidi" 25. lpp.

IZVĒLĒTIET PAREIZO KABELA IZMĒRU

Jaudas padeves, signāla kabeļa izmērs, drošinātāji un slēdzis ir nepieciešami atbilstoši iekārtas maksimālās strāvas lielumam. Maksimālās strāva ir norādīta uz nosaukuma plates, kas atrodas uz ierīces sānu paneļa. **PIEZĪME:** Ziemeļamerikā, lūdzu, izvēlieties pareizo kabeļa izmēru saskaņā ar minimālo griešanās ātrums norādīts uz nosaukuma plāksnes vienības.

- a. Izmantojiet stieplju noņemējus, noņemiet stieplēm apkārt esošo gumiju kabeļa galos apmēram 40 mm (1,57 collas)
- b. Noņemiet stieplju izolāciju vadu galiem
- c. Izmantojot stieplju lokanību, izveidojiet u-lugs stieplju galos.

PIEVĒRSIET UZMANĪBU VESELĀM STIEPLĒM

Kamēr lociet stieples, pievērsiet uzmanību „L” stieplēm.

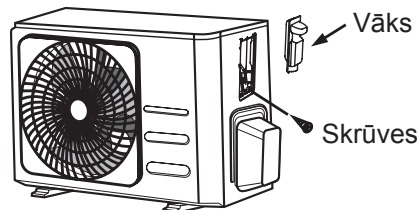


BRĪDINĀJUMS

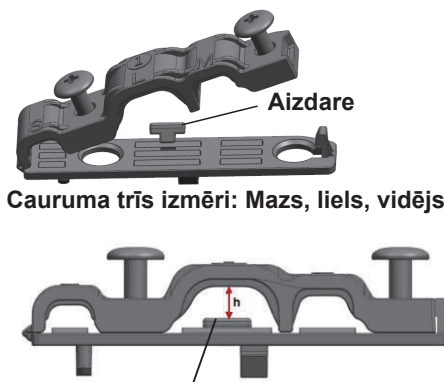
VISS SAVIENOŠANAS DARBS VAR TIKT VEIKTS TIKAI SASKAŅĀ AR ELEKTROINSTALĀCIJAS SHĒMU, KAS ĀRA IERĪCEI ATRODAMA ELEKTROINSTALĀCIJAS VĀKA IEKŠPUSĒ.

2. Atskrūvējiet vāku un noņemiet to.
3. Atskrūvējiet kabeļa skavu zem termināla bloka un novietojiet to sānos.
4. Savienojiet vadus saskaņā ar elektroinstalācijas shēmu, stingri pieskrūvējiet katru no u-lug stieples atbilstošam terminālim.
5. Pēc pārbaudes pārlicinieties, ka savienojumi ir droši, aptieniet stieples, lai novērstu lietus ūdeņu iekļūšanu vadības blokā.
6. Izmantojiet kabeļas spaiļi, lai piestiprinātu kabeli. Cieši pieskrūvējiet kabeļa skavas.

7. Izolējiet neizmantotās stieples ar PVC ielektrovadu līmlentu. Sakārtojiet tos tā, lai tie nepieskaras nevienai no metāla vai elektriskajām detaļām.
8. Novietojiet vietā vāku un pieskrūvējiet to.



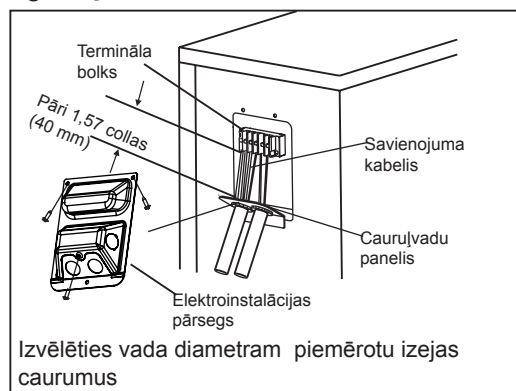
PIEZĪME: Ja kabeļa skava izskatās šādi, lūdzu, izvēlieties pareizo caurumu atbilstoši vada diametram.



Ja vads nav pietiekami nostiprināts, izmantojiet aizdaru, lai to atbalstītu un varētu cieši saspiest.

Ziemeļamerikā

1. Noņemiet elektroinstalācijas vāku, atskrūvējot 3 skrūves.
2. Nolieciet uzmavas vadības panelī.
3. Noņemiet cauruļvadu (nav komplektācijā) un cauruļvada paneļa.
4. Precīzi savienojiet abas jaudas padeves līnijas un zemā sprieguma līniju ar atbilstošiem termināļiem vadības blokā.
5. Iezemējiet ierīci saskaņā ar vietējiem kodiem.
6. Pārlicinieties, ka katrs vads ir pāris collu garāks kā nepieciešams pēc norādītā.
7. Lai nostiprinātu cauruļvadus, izmantojiet uzgriežņus.



Dzesēšanas cauruļu savienojums

Kad savienojiet dzesēšanas caurules, **nelaujiet** citām vielām iekļūt sistēmā. Citu veidu gāzes vai vielu iekļūšana sistēmā, samazina tās jaudu, var radīt neparatsi augstu spiedienu dzesēšanas ciklā. Tas var izraisīt eksploziju vai bojājumus.

PiPiezīmes par caurules garumu

Dzesēšanas cauruļu garums var ietekmēt veikumu un ierīces enerģijas efektivitāti. Nominālā efektivitāte ir testēta ierīcēm ar cauruļu garumu 5 metri (16.5 ft). (Ziemeļamerikā standarta caurules garums ir 7.5 m (25')). Minimālais caurules garums ir 3 metri, kas nepieciešams vibrācijas un trokšņa samazināšanai. Tropu joslām, F290 modeļiem, dzesēšanas viela nav pievienojama un maksimālais dzesēšanas caurules garums nevar pārsniegt 10 metrus (32,8 ft).

Skatīt tabulu zemāk par cauruļu maksimālo garuma un kritiena augstuma specifikāciju

Dzesēšanas cauruļu maksimālais garums un kritiena specifikācija modeļiem

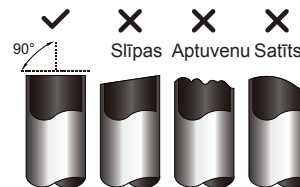
Modelis	Jauda (BTU/ h)	Max.garums (m)	Max. Kritiena augstums (m)
R410A,R32 Apgrieztā tipa gaisa kondicionētāji	< 15,000	25 (82 pēdas)	10 (33 pēdas)
	≥ 15,000 un < 24,000	30 (98,5 pēdas)	20 (66 pēdas)
	≥ 24,000 un < 36,000	50 (164 pēdas)	25 (82 pēdas)
R22 fiksētā ātruma gaisa kondicionētājs	< 18,000	10 (33 pēdas)	5 (16 pēdas)
	≥ 18,000 un < 21,000	15 (49 pēdas)	8 (26 pēdas)
	≥ 21,000 un < 35,000	20 (66 pēdas)	10 (33 pēdas)
R410A, R32 fiksētā ātruma dalītais gaisa kondicionētājs	< 18,000	20 (66 pēdas)	8 (26 pēdas)
	≥ 18,000 un < 36,000	25 (82 pēdas)	10 (33 pēdas)

Savienošanas instrukcijas - Dzesēšanas caurules

Solis 1: Nogrieziet caurules

Kad gatavojiet dzesēšanas caurules, īpašu rūpību pievērsiet yo nogriešanai un sagatavošanai. Tas nodrošinās efektīvu darbību un samazinās apkopes parsības.

1. Nomēriet distanci starp iekštelpa un āra ierīci
2. Izmantojiet cauruļu griezēju, caurules atstājiet mazliet garākas kā attālums.
3. Pārlicinieties, ka caurules ir nogrieztas perfektā 90° leņķī.



GRIEŠANAS LAIKĀ

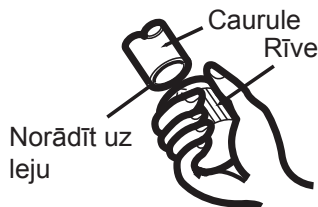
NESABOJĀJIET CAURULI

Esiet īpaši rūpīgi, lai nesabojātu, nesaliektu vai nedeformētu cauruli griešanas laikā. Tas būtiski samazinās ierīces sildīšanas efektivitāti.

Solis 2: Noņemiet sarmu.

Sarma var traucēt cauruļu savienojuma vietas ciešai savienošanai. Tie pilnībā jānoņem.

1. Turiet cauruli leju vērstu, lai izvairītos no smalku detaļu iekļūšanas caurulē.
2. Izmantojiet vīli, lai noņemtu visas smalkās detaļas, kas palikušas pēc caurules griešanas.

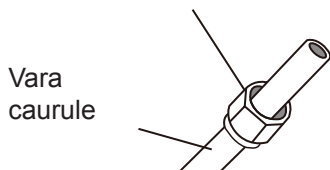


Solis 3: Apdedzināti cauruļu gali

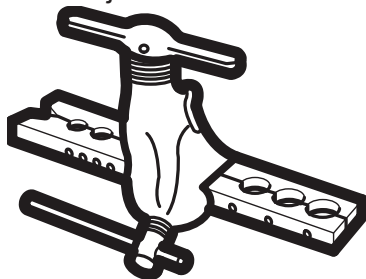
Lai nodrošinātu hermētiski noslēgtu vidi, ir svarīgi pareizi veikt valcēšanu.

1. Pēc pūku noņemšanas no griezuma vietas, galus noblīvējiet ar PVC līmlentu, lai novērstu svešķermeņu iekļūšanu caurulē.
2. Apsedziet cauruli ar izolējošo materiālu.
3. Novietojiet uzgriežņus caurules abos galos, Pārliecinieties, ka skatīties pareizā virzienā, jo pēc tam nevarēsiet mainīt to novietošanas virzienu.

Sakausējuma uzgrieznis



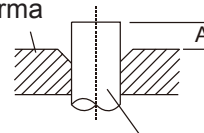
4. Noņemiet PVC lentu no caurules galiem, lai veidotu sakausējumu.
5. Skava uzliesmojums forma uz beigām caurules. Caurules galam jāizstiepjas ārpus atloka formas malas saskaņā ar zemāk tabulā norādītajiem izmēriem.



CAURUĻVADA PAGARINĀJUMS,

Caurules ārējais diametrs (mm)	A (mm)	
	Min.	Max.
Ø 6,35 (Ø 0,25")	0,7 (0,0275")	1,3 (0,05")
Ø 9,52 (Ø 0,375")	1,0 (0,04")	1,6 (0,063")
Ø 12,7 (Ø 0,5")	1,0 (0,04")	1,8 (0,07")
Ø 16 (Ø 0,63")	2,0 (0,078")	2,2 (0,086")
Ø 19 (Ø 0,75")	2,0 (0,078")	2,4 (0,094")

Sakausējuma forma



Caurule

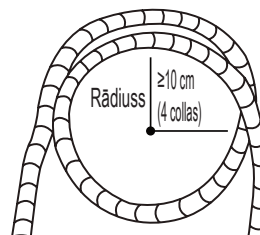
6. Uzlieciet sakausēšanas ierīci uz formas.
7. Turiet rokturi pulksteņa rādītāja virzienā, kamēr caurule ir pilnībā sakausēta.
8. Noņemiet sakausējuma ierīci un formu, lai pārbaudītu vai caurule krakšķ un sakausējuma gludumu.

Solis 4: Savienojiet caurules

Kad savienojiet dzesēšanas caurules, esiet uzmanīgi un ar pārāk lielu spēku tās nesalieciet. Jums vajadzētu vispirms savienot zema spiediena caurules, tad augsta spiediena caurules.

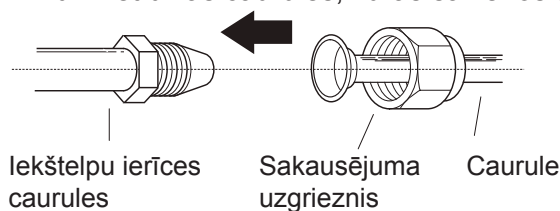
MINIMĀLAIS LIEKŠANAS RĀDIUSS

Kad lieciet savienojamo dzesēšanas cauruli, tad minimālais liekšanas rādiuss ir 10 cm

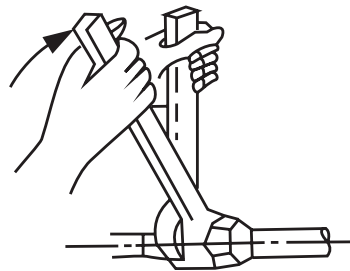


Instrukcijas cauruļu savienošanai iekštelpu ierīcei

1. Izlīdziniet divas caurules, kuras savienosiet



2. Savelciet sakausējuma uzgriezni, cik stipri vien variet
3. Izmantojot uzgriežņa atslēgu, satveriet uzgriezni uz ierīces caurules.
4. Kamēr stingri turiet uzgriezni, izmantojiet griezes momentu, lai pievilktu sakausējuma uzgriezni, griezes momenta prasības skatiet zemāk. Paliediet vaļīgāk sakausējuma uzgriezni un tad atkal cieši savelciet



GRIEZES MOMENTA PRASĪBAS

Caurules ārējais diametrs (mm)	Pievilšanas griezes moments (N·m)	Atloka izmērs (B) (mm)	Izlīdzinājuma forma
Ø 6,35 (Ø 0,25")	18~20 (180~200kgf.cm)	8,4~8,7 (0,33~0,34")	
Ø 9,52 (Ø 0,375")	32~39 (320~390kgf.cm)	13,2~13,5 (0,52~0,53")	
Ø 12,7 (Ø 0,5")	49~59 (490~590kgf.cm)	16,2~16,5 (0,64~0,65")	
Ø 16 (Ø 0,63")	57~71 (570~710kgf.cm)	19,2~19,7 (0,76~0,78")	
Ø 19 (Ø 0,75")	67~101 (670~1010kgf.cm)	23,2~23,7 (0,91~0,93")	

⚠ NETĪRIET GRIEZES MOMENTU

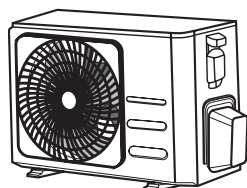
Pārāk liels spēs var salauzt uzgriezni vai sabojāt dzesēšanas cauruli Jūs nevarat pārsniegt griezes prasības, kas noteiktas augstāk esošajā tabulā.

Instrukcijas cauruļu savienošanai āra ierīcei.

1. Atskrūvējiet vāku no iesaiņojuma vārsta āra ierīces sānos.
2. Noņemiet aizsargājošo vāku no vārstu galiem.
3. Savienojiet sakausēto cauruli ar katru no vārstiem, nosprindiet uzgriezni ar roku, cik cieši vien iespējams.
4. Ar uzgriežņu atslēgu satveriet vārsta korpusu. Neaiztieciet uzgriezni, kas noslēdz apkopes vārstu.
5. Kamēr cieši satverts vārsts, izmantojiet griezes momentu, lai savilktu ciešāk sakausējuma uzgriezni.
6. Paliediet vaļīgāk sakausējuma uzgriezni un tad atkal cieši savelciet
7. Atkārtojiet soli 3 un 6 atlikušai caurulei.

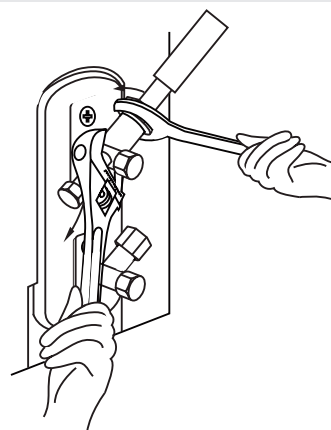
⚠ IZMANTOJIET UZGRIEŽŅA ATSLĒGU, LAI NOFIKSĒT VĀRSTU

Saukausējuma uzgriežņa pievilšanas moments var izkustināt vārsta daļas.



Vārstu vāks

5. Kamēr cieši satverts vārsts, izmantojiet griezes momentu, lai savilktu ciešāk sakausējuma uzgriezni.



Gaisa izsūkņēšana

Sagatavošanās un piesardzības pasākumi

Gaiss un citas vielas dzesēšanas sistēma var izraisīt neadekvātu spiediena palielināšanos, tas var sabojāt gaisa kondicionētāju, samazināt tā efektivitāti un radīt bojājumus. Izmantojiet vakuuma pumpi, lai izsūknētu dzesēšanas sistēmu, izņemtu jebkādu nekondensējamo gāzi un mitrumu no sistēmas.

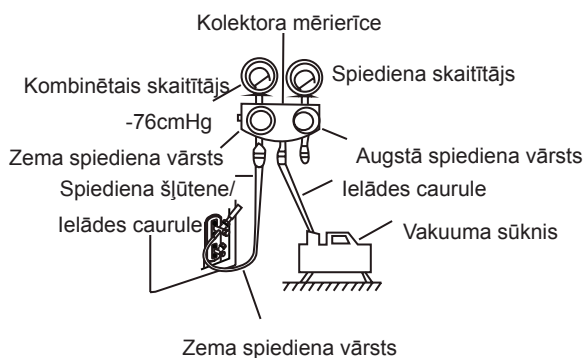
Izsūkņēšana ir veicama pirms sākotnējās instalācijas un kamēr ierīce ir pārvietota.

PIRMS SISTĒMAS IZSŪKNĒŠANAS

- Pārbaudiet, ka savienojošās caurules starp ārā un iekštelpu ierīcēm ir atbilstoši savienotas.
- Pārbaudiet, vai visi vadu savienojumi ir rūpīgi pievienoti.

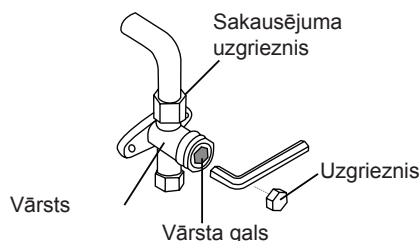
Izsūkņēšanas instrukcijas

1. Pievienojiet cauruli ārā ierīces zemā spiediena puses pieejai.
2. Savienojiet sistēmas mērierīci ar vakuuma pumpi.
3. Atveriet Zemā spiediena puses mērierīci. Turiet Augstā spiediena pusi slēgtu.
4. Ieslēdziet vakuuma ierīci sistēmas izsūkņēšanai
5. Vakūmu ieslēgiet vismaz 15 minūtes vai līdz saliktais skaitītājs nolasa -76 cmHg (-10^5 Pa).



6. Aizveriet Zemā spiediena pusē mērierīci, izslēdziet vakuuma sūkni.
7. Gaidiet 5 minūtes, tad pārbaudiet, ka nav notikušas izmaiņas sistēmas spiedienā.

8. Ja ir izmaiņas sistēmas spiedienā, atsaucieties uz Gāzes noplūdes kontroles sadaļu un noskaidrojiet, kā pārbaudīt gāzes kontroli. Ja sistēmas spiediens nemainās, noskrūvējiet vāciņu no iepakotā vārsta (augstspiediena vārsta).
9. Ievietojiet sešstūru uzgriežņu atslēgu vārstā (augstā spiediena vārsts) un atveriet vārstu pagriežot uzgriežni par $\frac{1}{4}$ pretēji pulkstenrādītāja virzienam. Klausieties kā gāze izplūst no sistēmas, tad pēc 5 sekundēm aizveriet vārstu.
10. Vērojiet Spiediena mērierīci vienu minūti, pārliecinoties, kas nav izmaiņas spiedienā. Spiediens mērījuma vajadzētu būt mazliet augstākam kā atmosfēras spiedienam.
11. Noņemiet uzlādes cauruli no servisa pieejas.



12. Izmantojiet sešstūra atslēgu, pilnībā atveriet augstā spiediena un zemā spiediena vārstus.
13. Ar roku savēlciet spiediena uzgriežņus uz visiem trim vārstiem (servisa, augstā un zemā spiediena) Jūs variet savilkt tos ciešāk, izmantojot uzgriežņa atslēgu.

! MIERĪGI ATVERIET VĀRSTU GALUS

Kad atveriet vārstu sistēmas pagriežiet sešstūra atslēgu līdz tā atdurās pret aizbāzni. Ar spēku tālāk negrieziet.

Piezīmes par dzesēšanas vielas pievienošanu.

Dažām sistēmām, atkarībā no cauruļu garuma, nepieciešams pievienot papildus dzesēšanas vielu. Standarta cauruļu garums var variēt atkarībā no vietējiem regulējumiem. Piemēram, Ziemeļamerikā, standarta caurules garums ir 7.5 m (25 in) Citās vietās standarta caurules garums ir 5 m(16 in) Dzesēšanas viela tiek uzpildīta no apkopes puses daļas, zema spiediena vārstā. Papildus dzesēšanas vielas daudzums jāaprēķina sekojoši:

PAPILDUS DZESĒŠANA PA CAURUĻU GARUMU

Savienojošo cauruļu garums	Gaisa attīrīšanas metode	Papildu dzesēšanas šķidrums	
≤ standarta caurules garums	Vakuuma sūkņi	NAV PIEMĒROJAMS	
> standarta caurules garums	Vakuuma sūkņi	Šķidrums daļa: Ø 6,35 (ø 0,25") R32: (Caurules garums – standarta garums) x 12g/m (Caurules garums – standarta garums) x 0,13oZ/ft R290: (Caurules garums – standarta garums) x 10g/m (Caurules garums – standarta garums) x 0.10oZ/ft R410A: (Caurules garums – standarta garums) x 15g/m (Caurules garums – standarta garums) x 0.16oZ/ft R22: (Caurules garums – standarta garums) x 20g/m (Caurules garums – standarta garums) x 0.21oZ/ft	Šķidrums daļa: Ø 9,52 (ø 0,375") R32: (Caurules garums – standarta garums) x 24g/m (Caurules garums – standarta garums) x 0.26oZ/ft R290: (Caurules garums – standarta garums) x 18g/m (Caurules garums – standarta garums) x 0.19oZ/ft R410A: (Caurules garums – standarta garums) x 30g/m (Caurules garums – standarta garums) x 0.32oZ/ft R22: (Caurules garums – standarta garums) x 40g/m (Caurules garums – standarta garums) x 0.42oZ/ft

R290 dzesēšanas vienībai, kopējais dzesēšanas vielas daudzums ir noteikts ne vairāk kā: 387g (≤9000Btu/h), 447g (>9000Btu/h un ≤12000Btu/h), 547g (>12000Btu/h un ≤18000Btu/h), 632g (>18000Btu/h un ≤2400Btu/h).

 **UZMANĪBU** NEJAUCIET aukstumaģentu tipus.

Elektrības un Gāzes noplūdes pārbaudes

Pirms testa veikšanas

Veiciet pārbaudes testu tikai pēc sekojošo soļu veikšanas:

- **Elektriskās drošības pārbaudes** – pārlicinieties, ka ierīces elektrosistēma ir droša un darbojas pareizi
- **Gāzes noplūdes pārbaudes** – pārbaudiet visus atloka uzgriežņu savienojumus un pārlicinieties, ka sistēmā nav noplūdes
- Apstipriniet, ka gāze un šķidrums (augstā un zemā spiediena) vārsti ir pilnībā atvērti

Elektriskās sistēmas drošības pārbaude

Pēc uzstādīšanas, apstipriniet, ka elektroinstalācija ir ierīkota saskaņā ar vietējo un nacionālo likumdošanu, saskaņā ar Instalācijas rokasgrāmatu.

PIRMS TESTA VEIKŠANAS

Pārbaudiet sazēmējuma darbu

Nomēriet sazēmējuma pretestību vizuāli un ar testeru. Sazēmējuma pretestībai vajadzētu būt mazākai kā 0.1Ω .

Piezīme: Dažās Ziemeļamerikas vietās tas var nebūt nepieciešams.

PĀRBAUDES TESTA LAIKĀ

Pārbaudiet elektrisko noplūdi

Testa laikā, izmantojiet testerus un multimetru, lai veiktu plašu elektriskās noplūdes pārbaudi.

Ja tāda ir konstatēta, nekavējoties izslēdziet ierīci un izsauciet licencētu elektriķi, problēmas atrašanai un novēršanai.

Piezīme: Dažās Ziemeļamerikas vietās tas var nebūt nepieciešams.



BRĪDINĀJUMS – ELEKTRO ŠOKA RISKS

VISAI ELEKTROINSTALĀCIJAI JĀATBILST VIETĒJAI UN NACIONĀLAJAI ELEKTRISKO KODU SISTĒMAI, UN IR JĀBŪT SERTIFICĒTA ELEKTRIĶA IEVIESTAI.

Gāzes noplūdes pārbaude

Ir divas metodes gāzes noplūdes konstatēšanai

Ziepju un ūdens metode

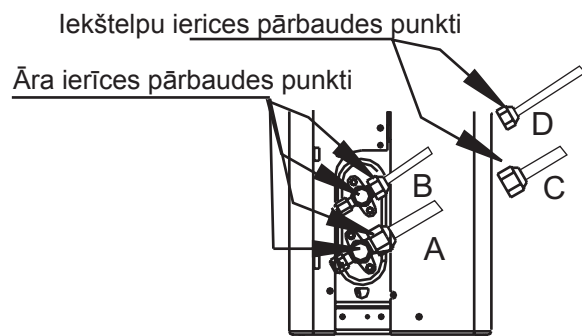
Izmantojot mīkstu birsti, ziepjūdeni vai šķidro mazgāšanas līdzekli visam āra un iekšelpu ierīcu cauruļu savienojumu vietām. Burbuļu parādīšanās norāda uz noplūdi

Noplūdes noteikšanas metode

Ja izmantojiet noplūdes noteikšanas detektoru, skatiet ierīces lietošanas instrukcijas

PĒC GĀZES NOPLŪDES PĀRBAUDES VEIKŠANAS

Ja pēc pārbaudes konstatēts, ka noplūdes NETĪRIET uzlieciet v;arstu vāku āra ierīcei.



- A: Zemā spiediena noslēdzošais vārsts
- B: Augstā spiediena noslēdzošais vārsts
- C & D: Iekšelpu ierīces sakausējuma uzgriežņi

Pārbaude

Pārbaudes instrukcijas

Pārbaude veicama vismaz 30 minūtes

1. Pievienojiet ierīcei strāvu
2. Nospiediet **ON/OFF** (ieslēgšanas/izslēgšanas) pogu uz tālvadības pults, lai ierīci ieslēgtu.
3. Nospiediet **MODE** (REŽĪMS) pogu, lai izvēlētos sekojošas funkcijas:
 - **VĒSUMA** - izvēlēties zemāko iespējamo temperatūru
 - **SILDĪŠANAS** - izvēlēties augstāko iespējamo temperatūru
4. Ļaujiet katrai funkcijai darboties 5 minūtes un veiciet sekojošas pārbaudes:

Veicamo pārbaudu saraksts	IET/ NEIET	
Nav elektrības noplūdes		
Ierīce ir pareizi saņemta		
Visi elektrības bloki ir atbilstoši pārklāti		
Iekštelpu un āra ierīces ir stabili uzstādītas		
Visi cauruļu savienojumi netek	Āra (2):	Iekštelpu (2):
Precīza ūdens noplūde		
Visas caurules ir atbilstoši izolētas		
Ierīce veic VĒSUMA atbilstoši		
Ierīce veic SILDĪŠANAS atbilstoši		
Iekštelpu ierīces žālūzijas darbojas precīzi		
Iekštelpu ierīce reaģē uz tālvadības pulti		

DUBULTA CAURUĻU SAVIENOJUMU PĀRBAUDE

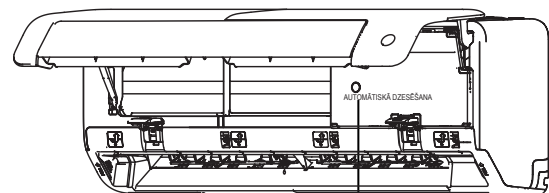
Darbības laika, spiediens dzesēšanas sistēmā palielinās. Tas var atklāt noplūdes, kuras nav konstatētas pirmajā pārbaudē. Vēlreiz pārbaudiet visus dzesēšanas sistēmas savienojumus, lai nav noplūdes. Skatīt **Gāzes noplūdes pārbaudes sadaļu** lietošanas instrukcijā.

5. Ja pārbaude ir veiksmīgi pabeigta, tad variet apstiprināt, ka visi punkti sarakstā darbojas, rīkojieties sekojoši:
 - a. Ar tālvadības pulti atgrieziet ierīci normālā darba temperatūrā.
 - b. Izmantojot izolācijas lentu, ietiniet iekštelpu dzesēšanas cauruļu savienojumus, kas atstāti neapmklāti uzstādīšanas procesa laikā.

JA APKĀRTĒJĀ TEMPERATŪRA IR ZEMĀKA PAR 17°C (62°F)

Jūs nevariet izmantot tālvadības pulti, lai uzslēgtu **DZESĒT** funkciju, kas istabas temperatūra ir zem 16°C. Šajā gadījumā, variet izmantot **MANUĀLO KONTROLI** pogu un notestēt **VĒSUMA** funkciju.

1. **MANUAL CONTROL** (MANUĀLĀ KONTROLE) poga atrodas ierīces labajā sānu panelī.
2. Nospiediet pogu 2 reizes, lai izvēlētos **COOL** (**VĒSUMA**) funkciju.
3. Veiciet pārbaudes testu kā parasti.



Manuālas vadības poga

Ierīces iepakojšana un izpakošana

Instrukcijas ierīces iepakojšanai un izpakošanai:

Izpakošana:

Iekštelpu iekārtai:

1. Ar nazi pārgrieziet kartona kastes blīvēšanas lenti, vienu griezumu kreisajā pusē, vienu griezumu pa vidu un vienu griezumu labajā pusē.
2. Izmantojiet skrūvspīles, lai izņemtu blīvējuma naglas no kartona kastes augšdaļas.
3. Atveriet kartona kasti.
4. Izņemiet vidējo atbalsta plāksni, ja tā ir iekļauta komplektācijā.
5. Izņemiet piederumu iepakojumu un savienojuma vadu, ja tas ir iekļauts komplektācijā.
6. Izņemiet ierīci no kastes un novietojiet to līdzeni.
7. Noņemiet kreiso un labo iepakojuma putuplastu vai augšējo un apakšējo iepakojuma putuplastu un attaisiet iepakojuma maisiņu.

Āra iekārtai:

1. Pārgrieziet iesaiņojuma lenti.
2. Izņemiet ierīci no kastes.
3. Noņemiet putuplastu no ierīces.
4. Noņemiet no ierīces iepakojuma maisiņu.

Iepakojšana:

Iekštelpu iekārtai:

1. Ievietojiet iekštelpu bloku iepakojuma maisā.
2. Piestipriniet kreiso un labo iepakojuma putuplastu vai augšējo un apakšējo iepakojuma putuplastu pie ierīces.
3. Ievietojiet ierīci kartona kastē, pēc tam kastē ievietojiet piederumu iepakojumu.
4. Aizveriet kasti un aizlīmējiet to ar lentu.
5. Ja nepieciešams, izmantojiet iesaiņojuma lenti.

Āra iekārtai:

1. Ievietojiet āra bloku iepakojuma maisā.
2. Ievietojiet apakšējo putuplastu kastē.
3. Ievietojiet ierīci kartona kastē, pēc tam uzlieciet uz ierīces augšējo putuplastu.
4. Aizveriet kasti un aizlīmējiet to ar lentu.
5. Ja nepieciešams, izmantojiet iesaiņojuma lenti.

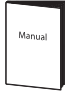
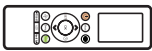
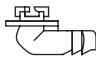
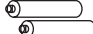




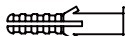


PIEZĪME: Lūdzu, saglabājiet visus iepakojuma priekšmetus, ja jums tie varētu būt nepieciešami nākotnē.

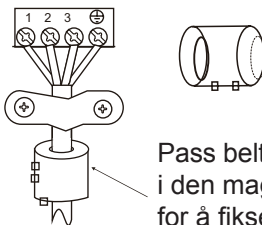
Installasjon Manual

Tilbehør	17
Installasjons Sammendrag – Innendørsenhet	18
Enhet deler	19
Innendørs enhet installasjon	20
1. Valg av plassering	20
2. Fest monteringsplaten til veggen	20
3. Bor vegg hull for binde rør	21
4. Klargjør rør for kjølemiddel	22
5. Feste avløpsslange	24
6. Koble til kabler for signal og strøm	25
7. Innpakking av rør og kabler	26
8. Monter innendørsenheten	26
Utendørsanleggs-installasjon	27
1. Valg av plassering	27
2. Installere avløpsledd	28
3. Feste utendørs enhet	28
4. Koble til kabler for signal og strøm	30
Kobling av kjølemedierør	31
A. Detaljer om lengden på rør	31
B. Instruksjon for tilkobling – rør for kjølemiddel	31
1. Kutte rør	31
2. Fjerne rivjern	32
3. Herde rør	32
4. Feste rør	32
Luftutslipp	34
1. Evakuerings instruksjoner	34
2. Tilleggs info om tilkobling av kjøling	35
Kontroll av det elektriske og gasslekkasje	36
Prøvekjøring	37
Pakke ned og ut enheten	38

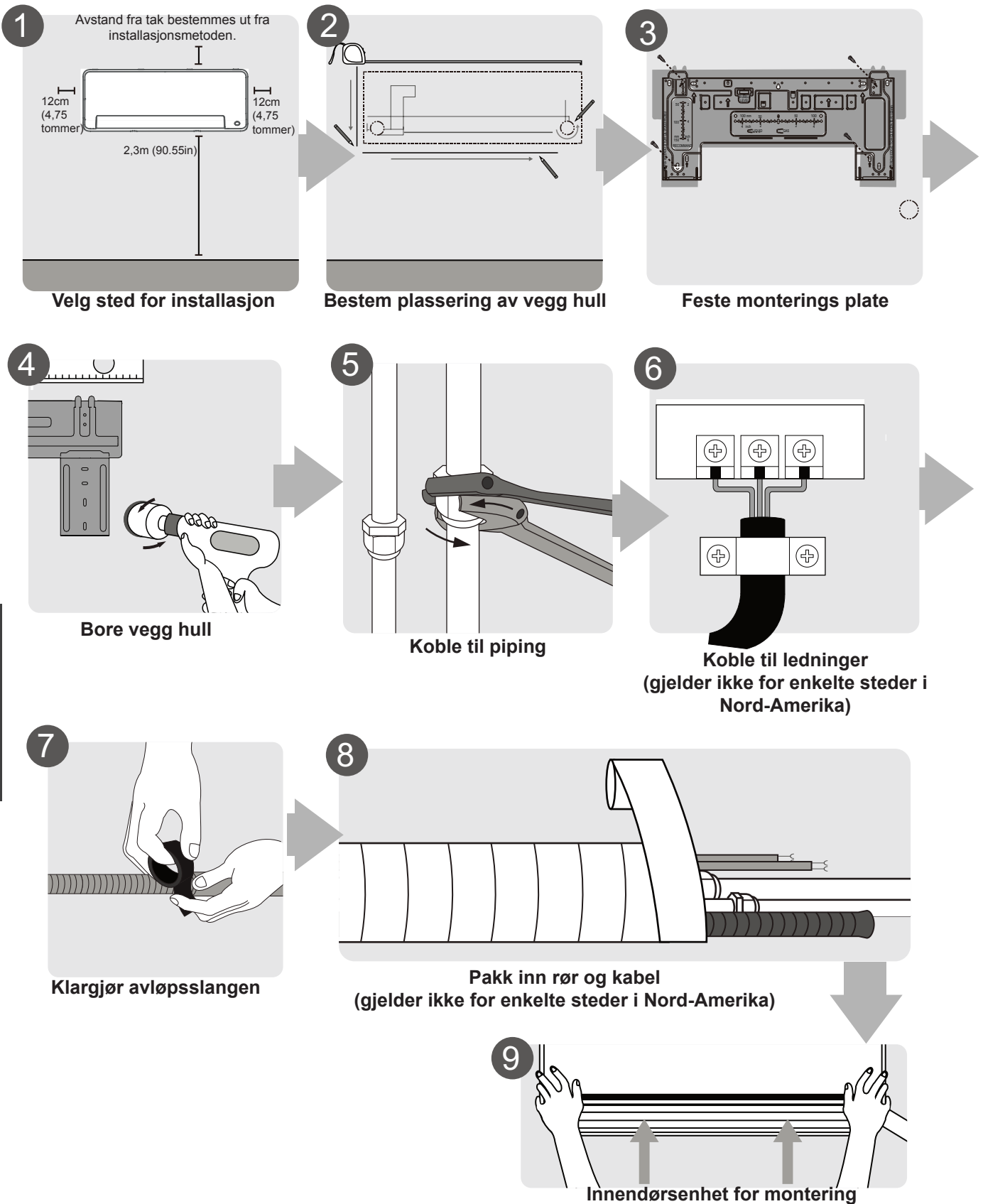
Tilbehør

Klimaanlegget leveres med følgende tilbehør. Bruk alle installasjons deler og tilbehør for å installere klimaanlegget. Feil installasjon kan føre til vannlekkasje, elektrisk støt og brann, eller føre til at utstyret svikter. Elementene er ikke inkludert med klimaanlegget må kjøpes separat.

Navn på tilbehør	Q'ty(pc)	Form	Navn på tilbehør	Q'ty(pc)	Form
Manuell	2-3		Fjernkontroll	1	
Drenerings ledd (for modeller med kjøling og oppvarming)	1		Batteri	2	
Tetning (for modeller med kjøling og oppvarming)	1		Fjernkontroll holder (valgfritt)	1	
Monteringsplaten	1		Feste skruer for fjernkontroll holder (valgfritt)	2	
Anker	5~8 (avhenger av modell)		Lite filter (Må installeres på baksiden av hoved luftfilteret av den autoriserte teknikerer mens du installerer maskinen)	1~2 (avhenger av modell)	
Feste skruer for monteringsplate	5~8 (avhenger av modell)				

Navn	Form	Antall (PC)	
Sammensetting av koblingskabel	Flytende side	Φ6,35(1/4 tommer)	Deler du må mangler Hase separat. Rådfør deg med forhandleren om riktig rørstørrelse for enheten du kjøpte.
		Φ9,52(3/8 tommer)	
	Gass side	Φ9,52(3/8 tommer)	
		Φ12,7(1/2 tommer)	
		Φ 16(5/8 tommer)	
		Φ 19(3/4in)	
Magnetisk ring og belte (hvis levert, se skjema for tilkobling for å installere det til tilkoblingskabelen.)	 <p>Pass beltet gjennom hullet i den magnetiske ringen for å fikse det på kabelen</p>	Varierer etter modell	

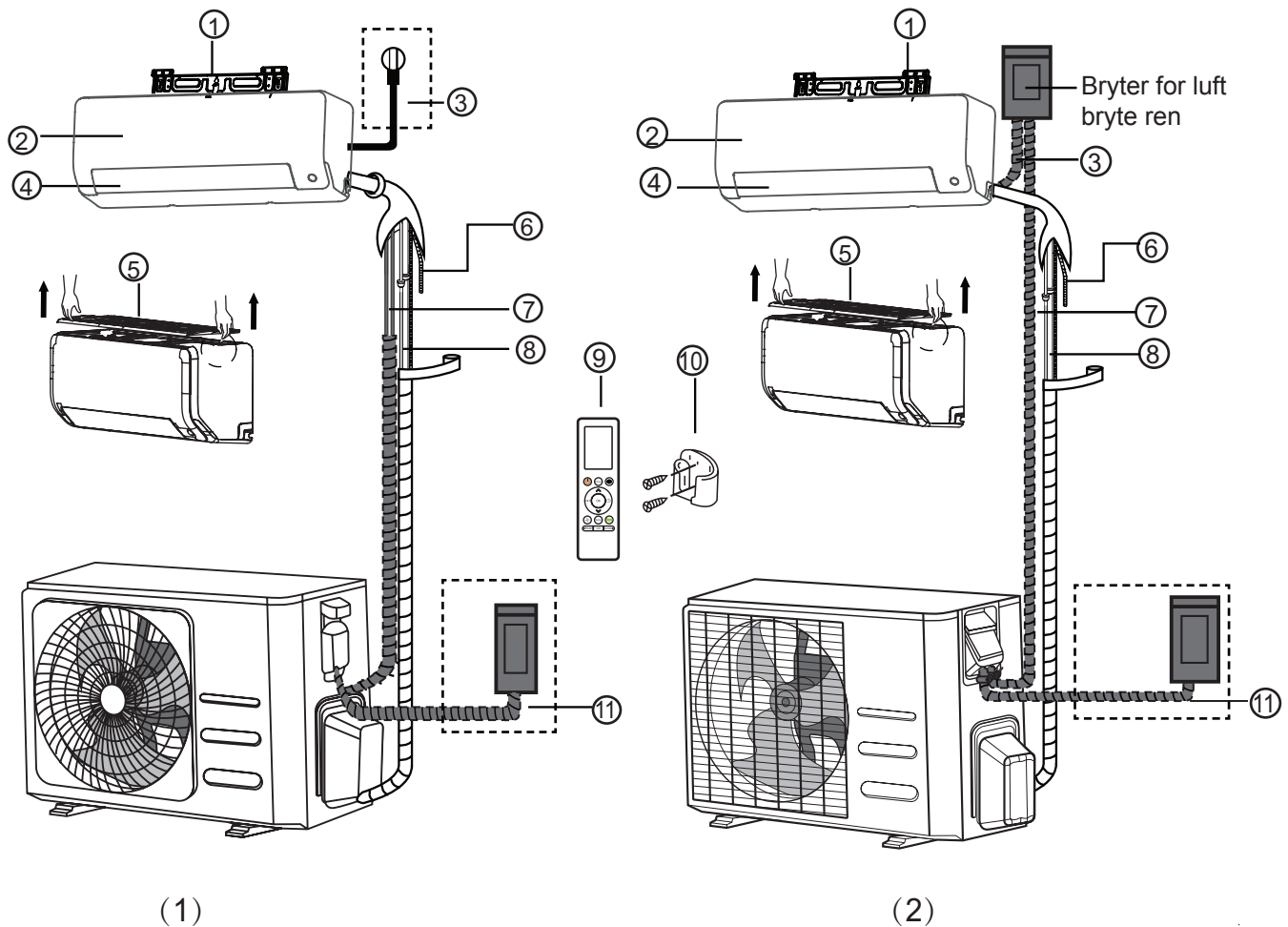
Installasjons Sammendrag – Innendørsenhet



Installasjons
Sammendrag –
Innendørsenhet

Enhet deler

MERKNAD: Installasjonen må utføres i samsvar med kravene i lokale og nasjonale standarder. Installasjonen kan være litt annerledes i ulike områder.



- | | | |
|-----------------------------|-----------------------------|---|
| ① Plate for veggmontering | ⑤ Luftfilter (trekk det ut) | ⑨ Fjernkontroll |
| ② Frontpanel | ⑥ Dreneringsrør | ⑩ Fjernkontrollholder (noen enheter) |
| ③ Strømkabel (noen enheter) | ⑦ Signalkabel | ⑪ Strømkabel for utendørsenhet (noen enheter) |
| ④ Lamell | ⑧ Kjølemiddelrør | |

MERK PÅ ILLUSTRASJONER

Illustrasjoner i denne håndboken er forklarende. Den faktiske formen på innendørsenheten kan være litt annerledes. Den faktiske formen skal gjelde.

Installasjon av innendørsenhet

Installeringsinstruksjoner – innendørsenhet

FØR INSTALLASJON

Før du monterer innendørsanlegget, må du se på etiketten på produkt boksen for å forsikre deg om at modellnummeret til innendørsenheten samsvarer med modellnummeret til utendørsenheten.

Trinn 1: Velg installasjonssted

Før du installerer innendørsenheten, må du velge et passende sted. Følgende er standarder som vil hjelpe deg å velge et passende sted for enheten.

Riktige installasjonssteder møter følgende standarder:

- God luftsirkulasjon
- Praktisk drenering
- Støy fra enheten vil ikke forstyrre andre mennesker
- Fast og solid – plasseringen vil ikke vibrere
- Sterk nok til å bære vekten av enheten
- Et sted minst én meter fra alle andre elektriske enheter (for eksempel TV, radio, datamaskin)

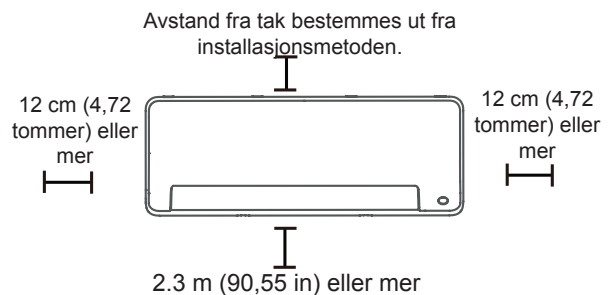
IKKE installer enheten på følgende steder:

- I nærheten av enhver varmekilde, damp eller brennbar gass
- Nær brennbare gjenstander som gardiner eller klær
- I nærheten av alle hindringer som kan blokkere luftsirkulasjon
- Nær døråpningen
- På et sted som er utsatt for direkte sollys

MERKNAD OM VEGG HULL:

Hvis det ikke er noe fast rør for kjølemiddel: Mens du velger et sted, Vær oppmerksom på at du bør la god plass for et vegg hull (se **bore vegg hull for binde rør** trinn) for signalkabel og kuldemedium rør som kobler innendørs og utendørs enheter. Standardposisjonen for alle rør er den høyre siden av innendørsenheten (mens enheten står vendt mot). Enheten kan imidlertid romme rør til både venstre og høyre.

Se følgende diagram for å sikre riktig avstand fra vegger og tak:



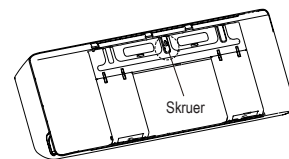
MERKNAD:

- **Hvis du ikke trenger bakfeste for å støtte opp enheten:** Gjør ferdig forbindelser til rør og kabler før innendørsenheten monteres på veggen. Hvis installasjonshøyden er begrenset, er 5 cm fra taket tillatt, men dette kan redusere produktets ytelse. For å sikre nok plass til å installere og fjerne det øvre luftfilteret, hold minst 10 cm eller mer fra taket.
- **Trenger bakfeste for å støtte opp enheten:** Hvis rør og kabel kobles sammen med frontpanelet åpent, er minimumsavstanden fra taket 22 cm eller mer, hvis rør og kabel kobles uten frontpanel (fjern det), er minimumsavstanden fra taket 11 cm eller mer.

Trinn 2: Fest monteringsplaten til vegg

Monteringsplaten er enheten du vil montere innendørsanlegget på.

- Fjern skruen som fester monteringsplaten til baksiden av innendørsenheten.



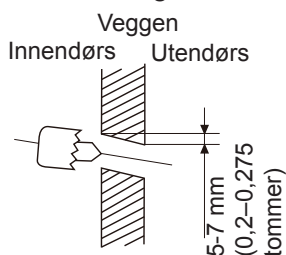
- Fest monteringsplaten til veggen med skruene som følger med. Pass på at monteringsplaten er flat mot veggen.

MERK FOR BETONG ELLER MURVEGGER:

Hvis veggen er laget av murstein, betong eller lignende materiale, Drill 5mm-diameter (0,2 i diameter) hull i veggen og sett inn ermet ankere forutsatt. Fest deretter monteringsplaten til veggen ved å stramme skruene direkte inn i klips ankere.

Trinn 3: Bor vegg hull for binde rør

1. Bestem plasseringen av veggen hullet basert på plasseringen av monteringsplaten. Se etter **dimensjoner for monterings plate**.
2. Benytt en 65mm (2,5in) eller 90mm (3,54in) (kommer ann på modell) drill, drill et hull i veggen Pass på at hullet er boret i en liten nedadgående vinkel, slik at den utendørs enden av hullet er lavere enn innendørs enden med ca 5mm til 7 mm (0,2-0,275 in). Dette vil sikre riktig vann drenering.



MERKNAD: Når koblingsrøret er på side med gass er Φ 16 mm (5/8 tommer) eller mer, skal vegghullet være 90 mm (3,54 tommer).

3. Plasser den beskyttende vegg mansjetten i hullet. Dette beskytter kantene av hullet og vil bidra til å forsegle den når du er ferdig med installasjonsprosessen.



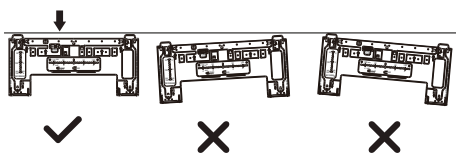
FORSIKTIG

Ved boring av vegg hullet, sørg for å unngå ledninger, avløp og andre følsomme komponenter.

DIMENSJONER FOR MONTERINGS PLATE

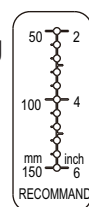
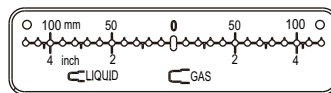
Ulike modeller har forskjellige monteringsplater. For enklere montering er det vaternivå, utskårne dimensjoner på monteringsplaten. Installer platen og bor vegghull i henhold til informasjonen på monteringsplaten. Se figurene nedenfor.

Riktig orientering av monteringsplaten

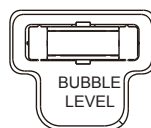


Enhet: mm (tommer)

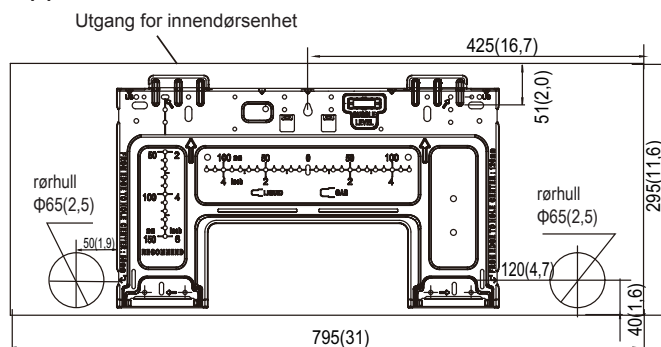
Målebånd for horisontal retning



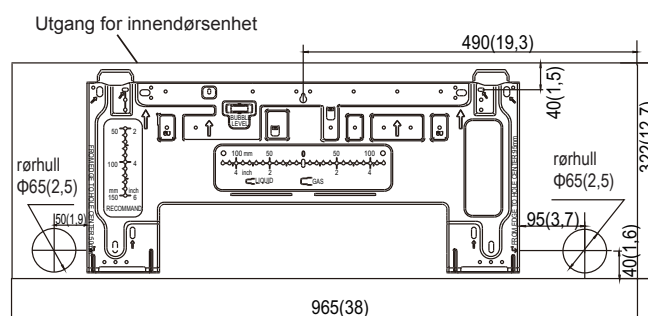
Målebånd for vertikal retning



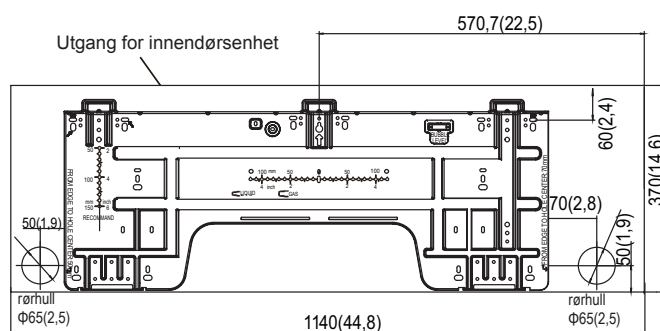
FORSIKTIG: Vaternivå på monteringsplaten kan ikke fjernes. Hvis den er ødelagt, sørg for å rense opp væsken som lekker.



Modell A



Model B



Modell C

Installasjon av innendørsenhet

Trinn 4: Klargjør kjølevæske rør

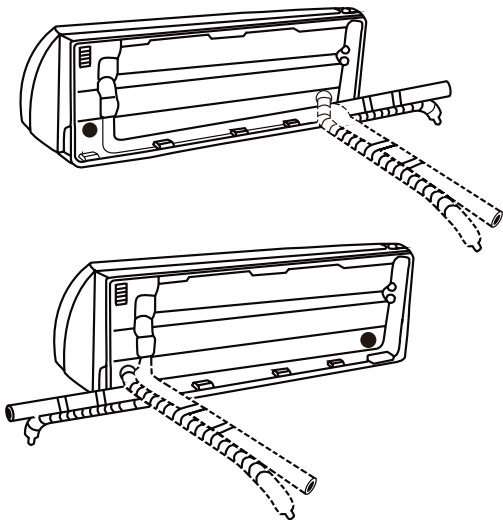
Kjøle medie rørene er inne i en isolerende hylse som er festet på baksiden av enheten. Du må forberede rørene før du passerer den gjennom hullet i veggen. Se avsnittet **Kobling av rør for kjølemiddel** i denne håndboken for detaljerte instruksjoner om rørfakling og krav til fakkelmoment, teknikk osv.

MERKNAD OM RØR VINKEL

Rør for kjølemiddel kan gå ut av innendørsenheten fra fire forskjellige vinkler:

- Venstre side
- Venstre bak
- Høyre side
- Høyre bak

Se **figurer nedenfor** for detaljer.



MERKNAD OM RØRKOBLING

- På enkelte lokalisasjoner i USA må det brukes et kanlrør for å koble til kabelen. For å sikre nok plass når rørene er i bruk og maskinen er mot veggen etter installasjon, anbefales det å feste avløpsslangen på høyre side (når du står mot baksiden av enheten).
- Når du velger Venstre side eller Høyre side rør, sørg for at rørene kommer ut horisontalt for ikke å påvirke det nedre panelet som er installert.

FORSIKTIG

Vær ekstremt forsiktig så du ikke bulker eller skader rørene mens du bøyer dem bort fra enheten. Alle bulker i rørene vil påvirke enhetens ytelse.

Hvis kjøle medie rørene allerede er innebygd i veggen, gjør du følgende:

Trinn 1: Hekt innendørsenheten på monteringsplaten:

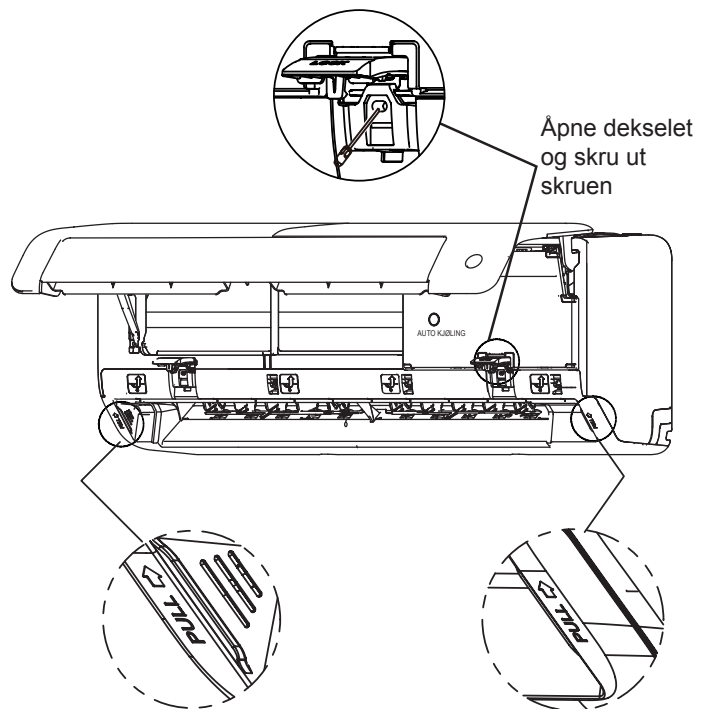
1. Husk at krokene på monteringsplaten er mindre enn hullene på baksiden av enheten. Hvis du finner ut at du ikke har god plass til å koble innebygde rør til innendørsanlegget, kan enheten justeres til venstre eller høyre med ca 30-50mm (1,18-1,95 in), avhengig av modell.



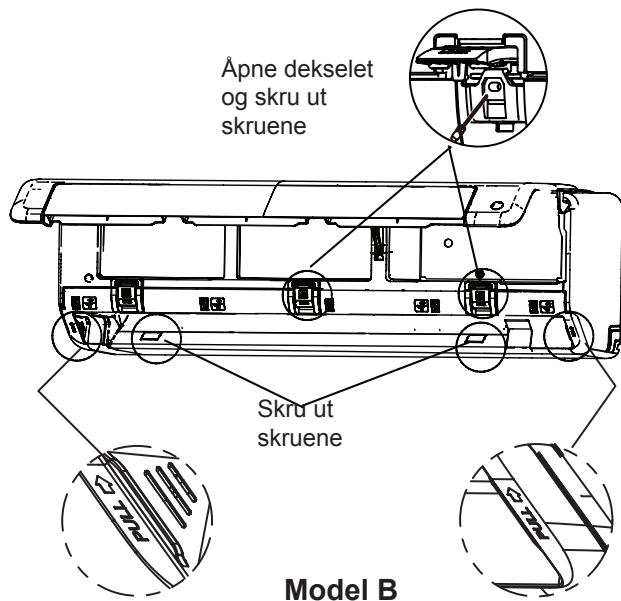
Flytte til venstre eller høyre

Trinn 2: Klargjør kjølevæske rør

1. Åpne og still inn posisjonen til panelet, åpne deretter dekslene til låseblokkene, skru ut skruen som vist på bildet nedenfor, hold deretter begge sider av det nedre panelet på stedet merket med "TREKK", trekk det oppover for å løsne spennene, og ta så det nedre panelet ned.

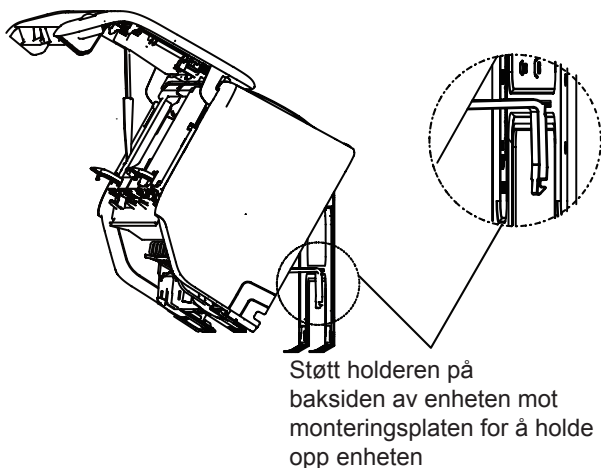


Modell A



Model B

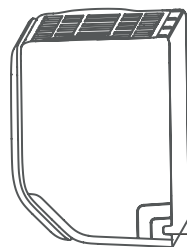
2. Bruk holderen på enheten sin baksida for å støtte opp enheten, slik at det er nok plass til å koble til røret for kjølemiddel, signalkabelen og avløpsslangen.



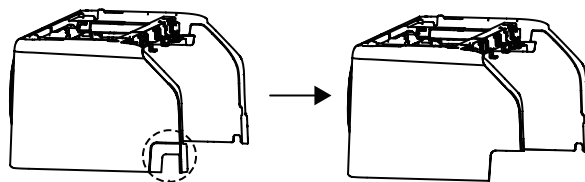
- Trinn 3.** Koble til avløpsslange og kjølemiddel rør (se avsnittet **Kobling av rør for kjølemiddel** i denne instruksjonshåndboken).
- Trinn 4.** Hold forbindelsespunktet for rør klarert for utfør lekkasjetesten (se **Elektriske kontroller og Kontroll** for lekkasje i denne håndboken).
- Trinn 5.** Etter lekkasje testen, Pakk koblingspunktet med isolasjonstape.
- Trinn 6.** Fjern braketten eller kilen som er støttet med isolasjonstape.
- Trinn 7.** Bruk jevnt trykk, trykk ned på den nedre halvdelen av enheten. Fortsett å trykke ned til enheten klikker på krokene langs bunnen av monteringsplaten.

Hvis det ikke er rør for kjølemiddel innebygd i veggen, gjør følgende:

1. Basert på plasseringen av vegg hullet i forhold til monteringsplaten, velger du siden som rørene skal gå ut av enheten fra.
2. Hvis vegg hullet ligger bak enheten, må du holde det på plass. Hvis vegg hullet er på siden av innendørsenheten, må du fjerne plast-panelet fra den siden av enheten. (Se figuren nedenfor). Dette vil skape et spor der rørene kan gå ut av enheten. Bruk nål nese tang hvis plast panelet er for vanskelig å fjerne for hånd.



Kabelpanel (tilpasset etter den faktiske størrelsen som trengs)



Hvis det er nødvendig å kutte til det store plastpanelet, følg instruksene ovenfor.

3. Bruk en saks for å kutte ned lengden på isolasjonshylsen for å avdekke ca. 40 mm (1,57 tommer) av rør kjølemiddel. Dette har to formål:
 - For å gjøre **prosessen med tilkobling** av rør kjølemiddel enklere.
 - For å gjøre det **enklere å kontrollere** for gasslekkasjer og gjøre deg i bedre stand til å se etter bulker
4. Bruk holderen på enheten sin baksida for å støtte opp enheten, slik at det er nok plass til å koble til røret for kjølemiddel, signalkabelen og avløpsslangen.
5. Koble innendørsenhetsens rør for kjølemiddel til forbindelsesrøret som skal forbinde enhetene som er innendørs og utendørs. Se delen **Kjølemedierør tilkobling i denne bruksanvisningen** for detaljerte instruksjoner.
6. Den nødvendige vinkelen på rørene blir bestemt basert på plasseringen av vegg hullet i forhold til monteringsplaten.
7. Ta tak i rør for kjølemiddel i bunnen når det bøyes.
8. Sakte og med jevnt trykk, bøyes røret mot hullet. **Rørene** må ikke dunkes eller skades under prosessen.

Trinn 5: Koble til avløpsslangen

Som standard er avløpsslangen festet til venstre side av enheten (når du står vendt mot baksiden av enheten). Det kan imidlertid også festes til høyre side. For å sikre riktig drenering, fest dreneringsslangen på samme side som kjøle medie rørene kommer ut av enheten.

MERKNAD: På enkelte områder i USA, og der maskinen har installert kanalpanelet, må man velge drenering på høyre side.

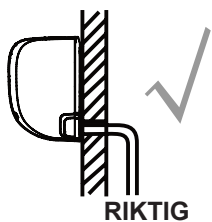
- Vikle tilkoblingspunktet godt med Teflon tape for å sikre en god forsegling og for å hindre lekkasjer.
- Fjern luftfilteret og hell en liten mengde vann i dreneringsbeholderen for å sikre at vannet renner jevnt fra enheten.

! MERK PÅ Plassering av

DRENERINGSSLANGE

Sørg for å arrangere avløpsslangen i henhold til Follo.

- Ø **IKKE** knekk avløpsslangen.
- Ø **IKKE** lag en vannlås.
- Ø **IKKE** legg enden av avløpsslangen i vann eller en beholder som samler opp vann.



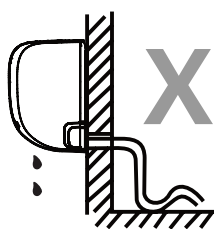
RIKTIG

Pass på at det ikke er noen knekk eller bulker i avløpsslangen for å sikre riktig drenering.



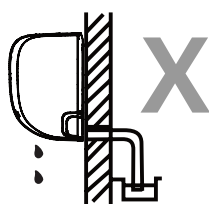
IKKE KORREKT

Kinks i avløpsslangen vil skape vannfeller.



IKKE KORREKT

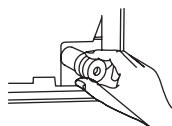
Kinks i avløpsslangen vil skape vannfeller.



IKKE KORREKT

Ikke plasser enden av avløpsslangen i vann eller i beholdere som samler vann. Dette vil hindre riktig drenering.

SETT INN DET UBRUKTE DRENERINGSHULLET



For å unngå uønskede lekkasjer må du plugge inn ubrukt DRENERINGSHULL med gummipluggen som følger med.

! LES DISSE FORSKRIFTENE FØR DU UTFØRER ELEKTRISK ARBEID

1. Alle ledninger må være i samsvar med lokale og nasjonale elektriske forskrifter, og må installeres av en autorisert elektriker.
2. Alle elektriske tilkoblinger må utføres i henhold til det elektriske tilkoblingsskjemaet som er plassert på panelene til innendørene og utendørsenhetene.
3. Hvis det er et alvorlig sikkerhetsproblem med strømforsyningen, stopp arbeidet umiddelbart. Forklar din begrunnelse til klienten, og nekter å installere enheten før sikkerhetsproblemet er riktig løst.
4. Strømspanningen bør være innenfor 90-110% av spenningsnivået. Utilstrekkelig strømforsyning kan forårsake funksjonsfeil, elektrisk støt eller brann.
5. Hvis du kobler strøm til faste ledninger, bør en overspenningsvern og hovedstrømbryter installeres.
6. Ved tilkobling av strøm til faste ledninger, en bryter eller strømbryter som kobler alle polene og har en kontakt separasjon av minst 1/8i (3mm) må være innarbeidet i den faste ledninger. Den kvalifiserte teknikeren må bruke en godkjent strømbryter eller bryter.
7. Bare koble enheten til en individuell gren krets utløp. Ikke koble et annet apparat til dette uttaket.
8. Sørg for å riktig bakken klimaanlegget.
9. Hver ledning må være godt tilkoblet. Løse ledninger kan føre til overoppheting av terminalen, noe som resulterer i feil på produktet og mulig brann.
10. Ikke la ledningene berøre eller hvile mot kulde medie rør, kompressoren eller noen bevegelige deler i enheten.
11. Hvis enheten har en ekstra elektrisk Varmeovn, må den monteres minst 1 meter (40in) vekk fra brennbare materialer.
12. For å unngå å få elektrisk støt må du aldri berøre de elektriske komponentene kort tid etter at strømforsyningen er slått av. Når du har slått av strømmen, må du alltid vente i 10 minutter eller mer før du berører de elektriske komponentene.



ADVARSEL

Før du utfører elektrisk arbeid eller ledningsarbeid, slå av hovedstrømmen til systemet.

Trinn 6: Koble til signal-og strømkabler

Signalkabelen muliggjør kommunikasjon mellom innendørs-og utendørs enhetene. Du må først velge riktig kabel størrelse før du klargjør den for tilkobling.

Kabeltyper

- **Innendørs strømkabel** (hvis aktuelt): HH05VV-F / EU-OSK103 / H05V2V2-F
 - **Utendørs strømkabel:** H07RN-F / EU-OSK103 / H05RN-F
 - **Signalkabel:** H07RN-F
- MERKNAD:** I Nord Amerika, benytt riktig type kabler i henhold til lokale koder og reguleringer.

Minimum tverrsnitt av strøm og signal kabler (for referanse)
(Gjelder ikke for Nord-Amerika)

Aktuell strøm av apparatet (A)	Nominell tverrsnitt (mm ²)
> 3 og ≤ 6	0,75
> 6 og ≤ 10	1
> 10 og ≤ 16	1,5
> 16 og ≤ 25	2,5
> 25 og ≤ 32	4
> 32 og ≤ 40	6

VELG RIKTIG KABELSTØRRELSE

Størrelsen på strømforsyningskabelen, signalkabelen, sikringen og bryteren som er nødvendig, bestemmes av enhetens maksimale strøm. Maksimal strøm er angitt på typeskiltet som ligger på sidepanelet på enheten. Se denne typeskiltet for å velge riktig kabel, sikring eller bryter.

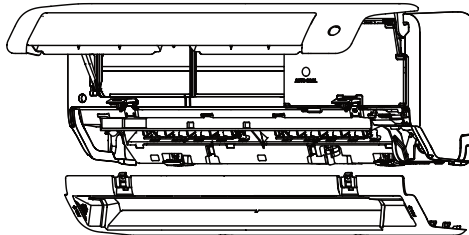
MERKNAD: I Nord Amerika, vennligst velg riktig kabelstørrelse i henhold til minimum krav oppført på typeplaten.

1. Åpne og still inn posisjonen til panelet, åpne deretter dekslene til de to låseblokkene, skru ut skruen, hold deretter begge sider av det nedre panelet på stedet merket med "TREKK", trekk det oppover for å frigjøre spennene, og ta deretter det nedre panelet ned (se side 22-23).
2. Åpne deksel til ledning for å koble til kabelen.
3. Skru av kabelklemmen under klemmeblokken og legg den til siden.
4. Ta av plast panelet nederst til venstre på baksiden av enheten.

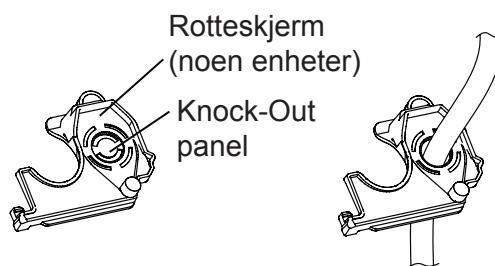
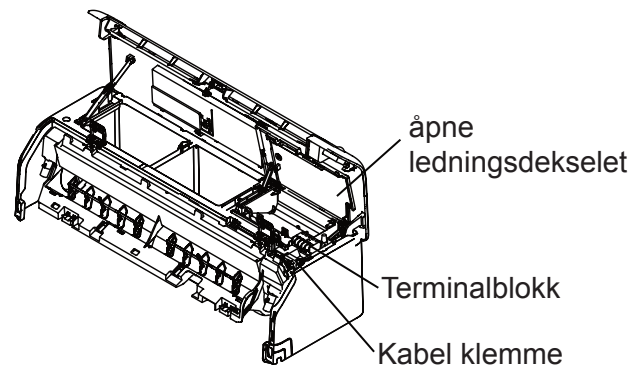
⚠ ADVARSEL

ALLE LEDNINGER MÅ UTFØRES STRENGT I HENHOLD TIL KOBLINGSSKJEMAET SOM FINNES PÅ BAKSIDEN AV INNENDØRS ENHETENS FRONT PANEL.

5. Strømsignal ledningen gjennom dette sporet, fra baksiden av enheten til fronten.
6. Facing fronten av enheten, koble ledningen i henhold til innendørs enhetens koblingsskjema, koble u-lug og fast skruen hver ledning til den tilsvarende terminalen.



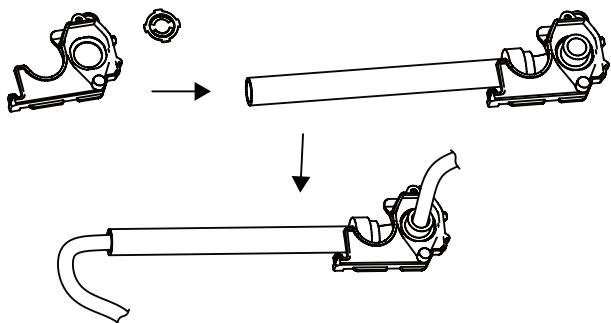
Åpne først frontpanelet, og fjern deretter det nedre panelet.



MERKNAD: Dersom størrelsen på kabelen er for stor, fjern det midterste, lille kabelpanelet i plast for å lage et spor som kabelen kan gå ut gjennom. Hvis du vil fjerne chassiset eller avløpslangen, må du først fjerne rotteskjermen.

I Nord-Amerika

Fjern først kabelpanelet for å lage et spor som kanalrøret kan installeres gjennom. Trekk deretter kabelen gjennom kanalrøret og koble til innendørsenheten.



! FORSIKTIG

IKKE BLAND SAMMEN LIVE-OG NULL LEDNINGER

Dette er farlig, og kan føre til at klimaanlegget ikke fungerer som det skal.

- Etter at du har kontrollert at alle tilkoblinger er sikre, bruker du kabel klemmen til å feste signalkabelen til enheten. Skru kabelklemmen tett ned.
- Sett på wire dekselet på fremsiden av enheten, og plast panelet på baksiden.

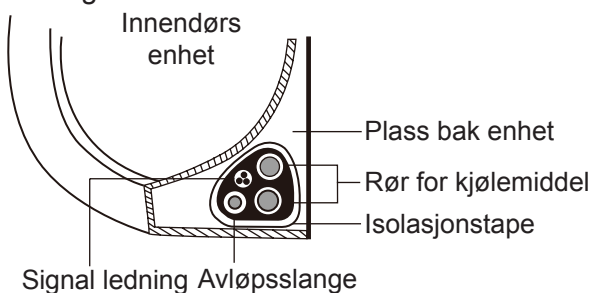
! MERKNAD OM LEDNINGSNETT

LEDNINGS TILKOBLINGSPROSESSEN KAN VARIERE NOE MELLOM ENHETER OG REGIONER.

Trinn 7: Innpakning og kabler

Før du skal føre rørene, avløpsslangen og signalkabelen gjennom veggullet, må du knyte dem sammen for å spare plass, beskytte dem og isolere dem (Dette gjelder kanskje ikke for enkelte steder i USA).

- Bunt dreneringsslangen, kuldemedium rør, og signalkabel som vist nedenfor:



AVLØPSSLANGEN MÅ VÆRE PÅ BUNNEN

Pass på at avløpsslangen er på bunnen av bunten. Dersom avløpsslangen settes på toppen kan det føre til at avløpsbeholderen renner over, noe som kan føre til brann eller vannskade.

IKKE FLETTER SIGNAL KABEL MED ANDRE LEDNINGER

Mens bunting disse elementene sammen, ikke fletter eller krysser signalkabelen med andre ledninger.

- Ved hjelp av selvklebende vinyl tape fester du dreneringsslangen til undersiden av kjøle medie rørene.
- Ved hjelp av isolasjons tape, Pakk signal wire, kuldemedium rør, og avløpsslangen tett sammen. Dobbeltsjekk at alle elementene er buntet.

IKKE PAKK ENDENE PÅ RØRENE

Når du pakker inn pakken, må du holde endene på rør pakket. Du må få tilgang til dem for å teste for lekkasjer på slutten av installasjonsprosessen (se avsnittet **elektriske sjekker og lekkasje sjekker** i denne bruksanvisningen).

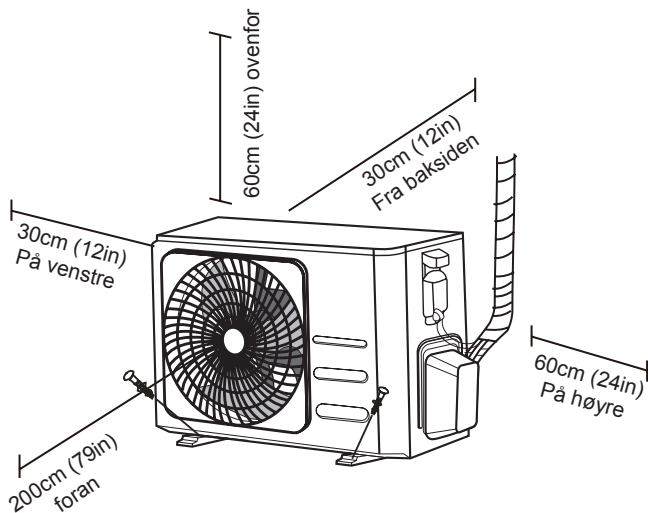
Trinn 8: Innendørsenhet for montering

Dersom du har installert nye tilkoblingsrør til utendørsenheten, må følgende gjøres:

- Hvis du allerede har passert kuldemedium rørene gjennom hullet i veggen, går du videre til trinn 4.
- Ellers Dobbeltsjekk at endene av kuldemedium rørene er forseglet for å hindre smuss eller fremmedlegemer fra å komme inn i rørene.
- Langsamt passere innpakket bunt av kjølemiddelrør, avløpsslangen, og signal wire gjennom hullet i veggen.
- Hekt toppen av innendørsenheten på den øvre kroken på monteringsplaten.
- Kontroller at enheten sitter fast på monteringen ved å påføre lett trykk på venstre og høyre side av enheten. Enheten skal ikke jiggle eller forskyves.
- Bruk jevnt trykk, trykk ned på den nedre halvdel av enheten. Fortsett å trykke ned til enheten klikker på krokene langs bunnen av monteringsplaten.
- Igjen, kontroller at enheten er godt festet ved å påføre lett trykk på venstre og høyre side av enheten.

Installasjon av utendørsenhet

Installer enheten ved å følge lokale regler og forskrifter, kan det være litt forskjellig mellom ulike regioner.



Installasjonsinstruksjoner – utendørsenhet

Trinn 1: Velg installasjonssted

Før du installerer utendørsenheten, må du velge et passende sted. Følgende er standarder som vil hjelpe deg å velge et passende sted for enheten.

Riktige installasjonssteder møter følgende standarder:

- Oppfyller alle romlige krav som vises i krav til installerings plass ovenfor.
- God luftsirkulasjon og ventilasjon
- Fast og solid – plasseringen kan støtte enheten og vil ikke vibrere
- Støy fra enheten vil ikke forstyrre andre
- Beskyttet fra lengre perioder med direkte sollys eller regn
- I områder med forventet snøfall, sett i gang passende tiltak for å forhindre is og skader på spiral.

IKKE installer enheten på følgende steder:

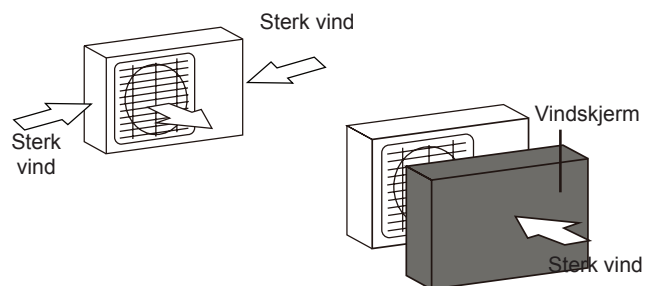
- ⊘ I nærheten av et hinder som vil blokkere luftinntak og-uttak
- ⊘ Nær en offentlig gate, overfylte områder eller hvor støy fra enheten kan virke forstyrrende for andre.
- ⊘ Nær dyr eller planter som kan ta skade av varmlufts utløp
- ⊘ Nær noen form for lett antennelig gass
- ⊘ På et sted som er utsatt for store mengder støy
- ⊘ På et sted utsatt for store mengder salt luft

SPESIELLE HENSYN FOR EKSTREMVÆR

Hvis enheten utsettes for kraftig vind:

Monter enheten slik at luft utløps viften er i 90 ° vinkel i retning av vinden. Om nødvendig, bygg en barriere foran enheten for å beskytte den mot ekstremt kraftig vind.

Se tall nedenfor.



Hvis enheten ofte utsettes for kraftig regn eller snø:

Bygg en ly over enheten for å beskytte den mot regn eller snø. Vær forsiktig slik at ikke luftstrømmen rundt enheten blir hindret.

Hvis enheten er ofte utsatt for salt luft (Seaside):

Bruk utendørsenhet som er spesielt designet for å motstå korrosjon.

Trinn 2: Monter avløps leddet (kun varmepumpe-enhet)

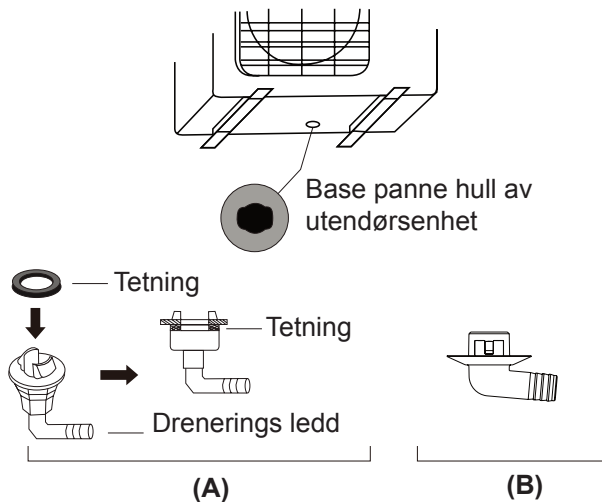
Før du bolting utendørsanlegget på plass, må du installere drenerings leddet nederst på enheten. Merk at det er to forskjellige typer drenerings skjøter avhengig av type utendørsenhet.

Hvis drenerings leddet kommer med en gummi forsegling (se fig. A), gjør du følgende:

1. Monter gummiforseglingen på enden av drenerings leddet som vil koble til utendørsanlegget.
2. Sett dreneringsleddet inn i hullet på undersiden av enheten.
3. Roter drenerings leddet 90 ° til den klikker på plass vendt mot fronten av enheten.
4. Koble til en avløpsslange-forlenger (ikke inkludert) til dreneringsleddet for å omdirigere vann fra enheten under oppvarmingsmodus.

Hvis drenerings skjøten ikke kommer med en gummi forsegling (se Fig. B), gjør du følgende:

1. Sett dreneringsleddet inn i hullet på undersiden av enheten. Drenerings leddet vil klikke på plass.
2. Koble til en avløpsslange-forlenger (ikke inkludert) til dreneringsleddet for å omdirigere vann fra enheten under oppvarmingsmodus.

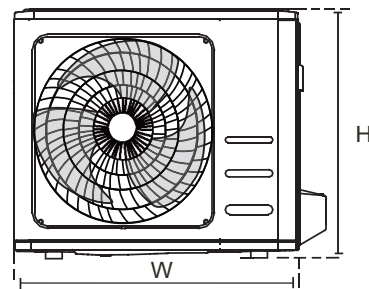
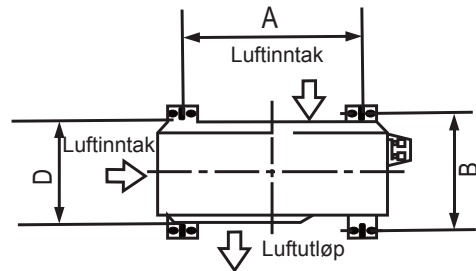


Trinn 3: Anchor utendørsenhet

Utendørsanlegget kan forankres på bakken eller på en veggmontert brakett med bolt (M10). Forbered installasjonsbasen til enheten i henhold til dimensjonene nedenfor.

DIMENSJONER FOR ENHETS MONTERING

Det følgende er en liste over forskjellige utendørs enhets størrelser og avstanden mellom deres monterings føtter. Forbered installasjonsbasen til enheten i henhold til dimensjonene nedenfor.



! I KALDT KLIMA

I kaldt klima, sørg for at avløpsslangen er så vertikal som mulig for å sikre rask drenering. Hvis vannet renner for langsomt, kan det fryse i slangen og flom enheten.

Dimensjoner for utendørsenhet (mm) W x H x D	Montering dimensjoner	
	Avstand A (mm)	Avstand B (mm)
681 x 434 x 285 (26,8" x 17,1" x 11,2")	460 (18,1")	292 (11,5")
700x550x270 (27,5"x 21,6"x 10,6")	450 (17,7")	260 (10,2")
700x550x275 (27,5"x 21,6"x 10,8")	450 (17,7")	260 (10,2")
720x495x270 (28,3"x 19,5"x 10,6")	452 (17,8")	255 (10,0")
728x555x300 (28,7"x 21,8"x 11,8")	452 (17,8")	302 (11,9")
765x555x303 (30,1"x 21,8"x 11,9")	452 (17,8")	286 (11,3")
770x555x300 (30,3"x 21,8"x 11,8")	487 (19,2")	298 (11,7")
805x554x330 (31,7"x 21,8"x 12,9")	511 (20,1")	317 (12,5")
800x554x333 (31,5"x 21,8"x 13,1")	514 (20,2")	340 (13,4")
845x702x363 (33,3"x 27,6"x 14,3")	540 (21,3")	350 (13,8")
890x673x342 (35,0"x 26,5"x 13,5")	663 (26,1")	354 (13,9")
946x810x420 (37,2"x 31,9"x 16,5")	673 (26,5")	403 (15,9")
946x810x410 (37,2"x 31,9"x 16,1")	673 (26,5")	403 (15,9")

Hvis du vil installere enheten på bakken eller på en konkret monterings plattform, gjør du følgende:

1. Merk posisjonene for fire ekspansjons bolter basert på dimensjons diagrammet.
2. Før bore hull for ekspansjons bolter.
3. Plasser en mutter på enden av hver ekspansjonsbolt.
4. Hammer ekspansjons bolter i pre-boret hull.
5. Fjern mutrene fra ekspansjons bolter, og plasser utendørsenhet på bolter.
6. Sett skive på hver ekspansjonsbolt, og deretter erstatte nøtter.
7. Bruk en skrunøkkel til å stramme hver mutter til den sitter tett.



ADVARSEL

NÅR DU BORER TIL BETONG, ANBEFALES ØYEBESKYTTELSE TIL ENHVER TID.

Hvis du skal installere enheten på en veggmontert brakett, gjør du følgende:



FORSIKTIG

Pass på at veggen er laget av solid murstein, betong, eller av lignende sterkt materiale. **Veggen må være i stand til å støtte minst fire ganger vekten av enheten.**

1. Merk posisjonen til klamme hullene basert på dimensjons diagrammet.
2. Pre-bore hullene for ekspansjons bolter.
3. Plasser en skive og mutter på enden av hver ekspansjonsbolt.
4. Tråd ekspansjons bolter gjennom hull i monteringsbraketter, sett monteringsbraketter i posisjon, og Hammer ekspansjons bolter inn i veggen.
5. Kontroller at monteringsbrakettene er Plant.
6. Løft enheten forsiktig, og plasser monterings føttene på brakettene.
7. Bolt enheten godt til brakettene.
8. Hvis det er tillatt, installerer du enheten med gummipakninger for å redusere vibrasjoner og støy.

Trinn 4: Koble til signal-og strømkabler

Utsiden enhetens Terminal blokk er beskyttet av et elektrisk Lednings deksel på siden av enheten. Et omfattende koblingsskjema er trykt på innsiden av Lednings dekselet.

ADVARSEL

Før du utfører elektrisk arbeid eller ledningsarbeid, slå av hovedstrømmen til systemet.

1. Klargjør kablet for tilkobling:

BRUK RIKTIG KABEL

Velg riktig kabel, se "Kabeltyper" på side 25.

VELG RIKTIG KABELSTØRRELSE

Størrelsen på strømforsyningskablet, signalkablet, sikringen og bryteren som er nødvendig, bestemmes av enhetens maksimale strøm. Maksimal strøm er angitt på typeskiltet som ligger på sidepanelet på enheten.

MERKNAD: I Nord Amerika, vennligst velg riktig kabelstørrelse i henhold til minimum krav oppført på typeplaten.

- a. Bruk wire strippere, Strip gummi jakken fra begge endene av kablet for å avdekke om 40mm (1,57 in) av ledningene inne.
- b. Trekk isolasjonen fra endene av ledningene.
- c. Bruk en wire crimper, klemme u-ører på endene av ledningene.

VÆR OPPMERKSOM PÅ LIVE WIRE

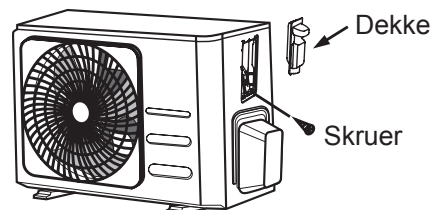
Mens krymping ledninger, sørg for at du tydelig skille Live ("L") Wire fra andre ledninger.

ADVARSEL

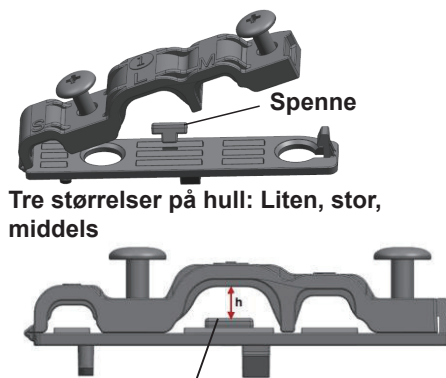
ALT LEDNINGS ARBEID MÅ UTFØRES STRENGT I HENHOLD TIL KOBLINGSSKJEMAET SOM BEFINNER SEG PÅ INNSIDEN AV WIRE DEKSELET TIL UTENDØRSANLEGGET.

2. Skru ut det elektriske Lednings dekselet og ta det ut.
3. Skru av kabelklemmen under klemmeblokken og legg den til siden.
4. Koble ledningen i henhold til koblingsskjema, og fast skruen u-lug av hver ledning til den tilsvarende terminalen.
5. Etter å ha sjekket for å sikre at hver tilkobling er sikker, sløyfe ledningene rundt for å hindre regnvann fra strømmer inn i terminalen.
6. Bruk kabel klemmen og fest kablet til enheten. Skru kabelklemmen tett ned.

7. Isolere ubrukte ledninger med PVC elektrisk tape. Ordne dem slik at de ikke berører noen elektriske eller metalldele.
8. Sett på wire dekselet på siden av enheten, og skru det på plass.



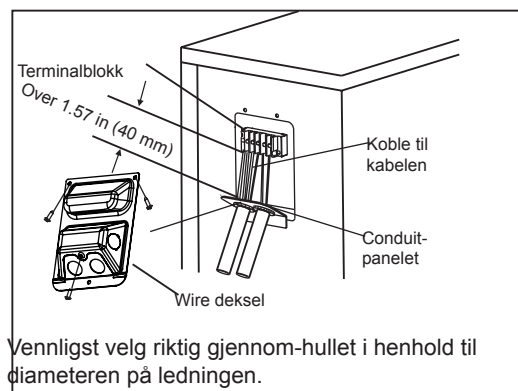
MERKNAD: Hvis kabelklemmen ser ut som følgende, velg passende gjennomgående hull i henhold til ledningen sin diameteren.



Når kablet ikke er festet godt nok, bruk spennen til å støtte den opp, slik at den kan klemmes godt.

I Nord-Amerika

1. Fjern wire dekselet fra enheten ved å løsne de 3 skruene.
2. Demonter caps på kanalpanelet.
3. Temporarily monterer rør rørene (ikke inkludert) på kanalpanelet.
4. Koble både strømforsyningen og lavspennings linjene til de tilsvarende terminalene på terminalblokken.
5. Ground enheten i samsvar med lokale koder.
6. Sørg for å størrelse hver wire slik at flere inches lengre enn den nødvendige lengde for kabling.
7. Bruk Låsemuttere for å sikre rør rørene.



Vennligst velg riktig gjennom-hullet i henhold til diameteren på ledningen.

Kjølemedierør ledningstilkobling

Ved tilkobling av kuldemedium rør, **ikke** la andre stoffer eller gasser enn det spesifiserte kjølemediet inn i enheten. Tilstedeværelsen av andre gasser eller stoffer vil senke enhetens kapasitet, og kan forårsake unormalt høyt trykk i kjølesyklusen. Dette kan føre til eksplosjon og skade.

Merknad om pipe lengde

Lengden på kjøle medie rørene vil påvirke enhetens ytelse og energieffektivitet. Nominell virkningsgrad testes på enheter med en rørlengde på 5 meter (16.5 ft) (i Nord-Amerika er standard rørlengde 7,5 m (25')). Det kreves et minimums rør på 3 meter for å minimere vibrasjons & overdreven støy. I spesielle tropiske området, for R290 kjølemedium modeller, kan ingen kuldemedium legges og den maksimale lengden av kjølemediet rør bør ikke overstige 10 meter (32.8 ft).

Se tabellen nedenfor for spesifikasjoner på den maksimale lengden og dråpe høyden på rørene.

Maksimal lengde og dråpe høyde på kjølemedium piping per enhet modell

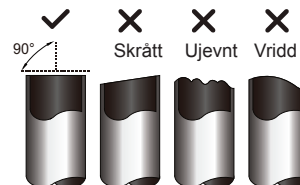
Modell	Kapasitet (BTU/h)	Maks. Lengde (m)	Maks. Drop høyde (m)
R410A, R32 Inverter Split klimaanlegg	< 15,000	25 (82 fot)	10 (33ft)
	≥ 15,000 og < 24,000	30 (98,5ft)	20 (66ft)
	≥ 24,000 og < 36,000	50 (164ft)	25 (82 fot)
R22 delt klimaanlegg med fast hastighet	< 18,000	10 (33ft)	5 (16ft)
	≥ 18,000 og < 21,000	15 (49ft)	8(26ft)
	≥ 21,000 og < 35,000	20 (66ft)	10(33ft)
R410A, R32 delt klimaanlegg med fast hastighet	< 18,000	20 (66ft)	8(26ft)
	≥ 18,000 og < 36,000	25 (82 fot)	10(33ft)

Tilkoblingsinstruksjoner – kjølemiddel piping

Trinn 1: Skjære rør

Når du forbereder kuldemedium rør, ta ekstra forsiktighet for å kutte og fakkell dem riktig. Dette vil sikre effektiv drift og minimere behovet for fremtidig vedlikehold.

1. Mål avstanden mellom innendørs og utendørs enheter.
2. Ved hjelp av en rørkutter, kutt røret litt lenger enn den målte avstanden.
3. Pass på at røret er skåret i en perfekt 90 ° vinkel.



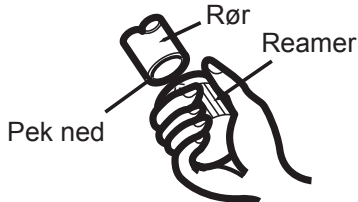
IKKE DEFORMER RØR UNDER KUTTING

Vær ekstra forsiktig slik at du ikke skader, bulker eller deformeres røret mens du skjærer. Dette vil drastisk redusere oppvarmings effektiviteten til enheten.

Trinn 2: Fjern grader

Grader kan påvirke den lufttette forseglingen av kjølemedierør tilkobling. De må fjernes helt.

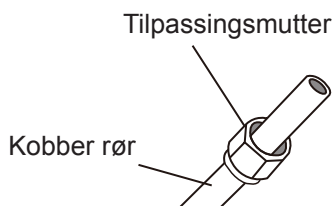
1. Hold røret i en nedadgående vinkel for å hindre at grader faller ned i røret.
2. Bruk et reamer eller deburring verktøy til å fjerne alle grader fra snitt delen av røret.



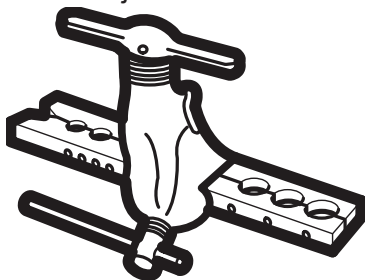
Trinn 3: Fakkell rør ender

Riktig fakling er avgjørende for å oppnå en lufttett forsegling.

1. Etter fjerning av grader fra kuttet rør, forsegle endene med PVC-tape for å hindre at fremmedlegemer kommer inn i røret.
2. Skjede røret med isolerende materiale.
3. Plasser bluss nøtter på begge ender av røret. Sørg for at de er vendt i riktig retning, fordi du ikke kan sette dem på eller endre deres retning etter fakkelen.

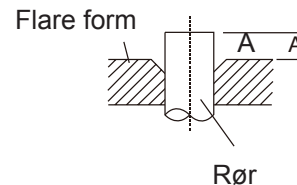


4. Fjern PVC tape fra endene av røret når du er klar til å utføre fakkelen arbeid.
5. Klemmeform på enden av røret. Enden av røret må gå utover kanten av fakkelformen i henhold til dimensjonene vist i tabellen nedenfor.



PIPING FORLENGELSE BEYOND FLARE FORM

Rørets ytre diameter (mm)	A (mm)	
	Min.	Maks.
Ø 6,35 (Ø 0,25")	0,7 (0,0275)	1,3 (0,05)
Ø 9,52 (Ø 0,375")	1,0 (0,04")	1,6 (0,063")
Ø 12,7 (Ø 0,5")	1,0 (0,04")	1,8 (0,07")
Ø 16 (Ø 0,63")	2,0 (0,078")	2,2 (0,086")
Ø 19 (Ø 0,75")	2,0 (0,078")	2,4 (0,094")



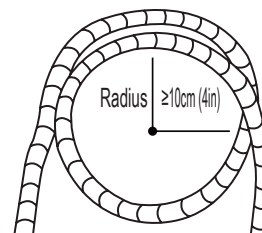
6. Plasser flamme verktøyet på skjemaet.
7. Drei håndtaket på flamme verktøyet med urviseren til røret er helt blusset.
8. Fjern fakkelen verktøyet og fakkell form, deretter inspisere enden av røret for sprekker og til og med fakkelen.

Trinn 4: Koble til rør

Ved tilkobling av kjølevæske rør, vær forsiktig så du ikke bruker overdrevent dreiemoment eller for å deformere rørene på noen måte. Du bør først koble til rør for lavtrykk, deretter rør for høytrykk.

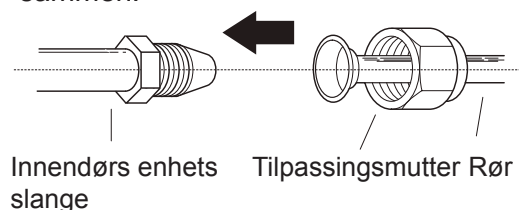
MINIMUM BEND RADIUS

Når du bøyer binde kuldemedium rør, er minimum bøyings radius 10 cm.

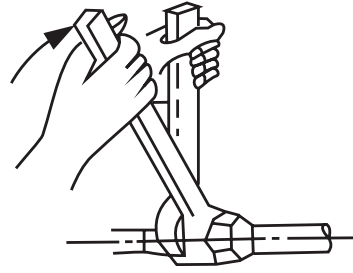


Instruksjoner for tilkobling av rør til Innendørs enhet

1. Rett inn midten av de to rørene du vil koble sammen.



2. Stram flamme mutteren så godt som mulig for hånd.
3. Ved hjelp av en nøkkel, grip mutteren på enheten slangen.
4. Bruk en momentnøkkel til å stramme den koniske mutteren i samsvar med dreiemoment verdiene i tabellen dreiemoment krav, mens du **strammer mutteren** på enhets slangen. Løsne fakkemutteren litt, og stram deretter igjen.



KRAV TIL DREIEMOMENT

Rørets ytre diameter(mm)	Tiltrekkingsmoment (N·m)	Fakkeldimensjon (B) (mm)	Tilpassingsform
Ø 6,35 (Ø 0,25")	18~20 (180~200 kgf.cm)	8,4~8,7 (0,33~0,34")	
Ø 9,52 (Ø 0,375")	32~39(320~390kgf.cm)	13,2~13,5 (0,52~0,53")	
Ø 12,7 (Ø 0,5")	49~59(490~590kgf.cm)	16,2~16,5 (0,64~0,65")	
Ø 16 (Ø 0,63")	57~71(570~710kgf.cm)	19,2~19,7 (0,76~0,78")	
Ø 19 (Ø 0,75")	67~101(670~1010kgf.cm)	23,2~23,7 (0,91~0,93")	

⊘ IKKE BRUK OVERDREVEN DREIEMOMENT

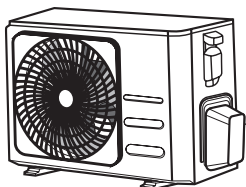
Overdreven kraft kan bryte mutteren eller skade kuldemedium rør. Du må ikke overskride kravene til dreiemoment som vises i tabellen ovenfor.

Instruksjoner for tilkobling av rør til Utendørsenhet

1. Skru av trekket fra den pakkede ventilen på siden av utendørsenheten.
2. Fjern beskyttelsesdekslene fra endene av ventilene.
3. Juster blusset pipe enden med hver ventil, og stram fakkemutteren så tett som mulig for hånd.
4. Ved hjelp av skiftenøkkel tar man tak i ventilhuset. Ikke ta tak i mutteren som tetter serviceventilen.
5. Mens du sitter godt i selve ventilen, bruk en momentnøkkel til å stramme flamme mutteren i henhold til de korrekte dreiemoment verdiene.
6. Løsne fakkemutteren litt, og stram deretter igjen.
7. Gjenta trinn 3 til 6 for det gjenværende røret.

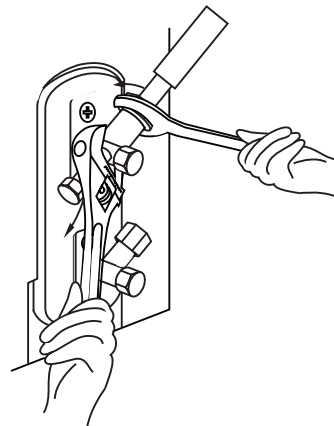
! BRUK SKIFTENØKKELE TIL Å GRIPE HOVEDDELEN AV VENTILEN

Dreiemoment fra stramming av flamme mutteren kan feste andre deler av ventilen.



Ventil deksel

5. Mens du sitter godt i selve ventilen, bruk en momentnøkkel til å stramme flamme mutteren i henhold til de korrekte dreiemoment verdiene.



Air evakuering

Forberedelser og forsiktighetsregler

Luft og fremmedlegemer i kuldemediumkretsen kan forårsake unormal økning i trykket, noe som kan skade klimaanlegget, redusere effektiviteten og forårsake skade. Bruk en vakuumpumpe og manifold gauge å evakuere kuldemedium krets, fjerne eventuelle ikke-kondenserende gass og fuktighet fra systemet.

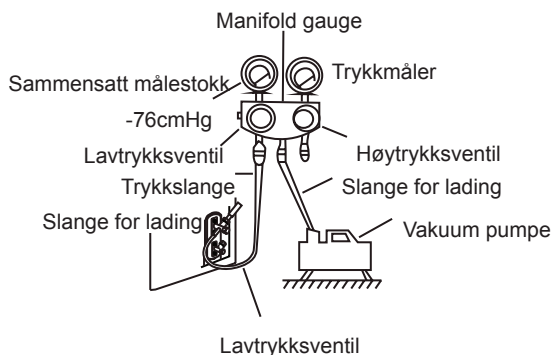
Evakuering bør utføres ved første installasjon og når enheten er flyttet.

FØR DU UTFØRER EVAKUERING

- Kontroller at binde rørene mellom innendørs- og utendørs enhetene er riktig tilkoblet.
- Kontroller at alle ledninger er riktig tilkoblet.

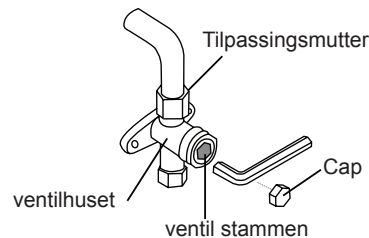
Evakuerings instruksjoner

1. Koble lade slangen på den manifold måleren til service porten på lavtrykks ventilen til utendørsanlegget.
2. Koble en annen lade slange fra den manifold måleren til vakuumpumpen.
3. Åpne lavtrykks siden av manifold måleren. Hold høytrykks siden lukket.
4. Slå på vakuumpumpen for å evakuere systemet.
5. Kjør vakuomet i minst 15 minutter, eller til det viser sammenslåtte meter -76cmHg (-10^5 Pa).



6. Lukk lavtrykks siden av den manifold måleren, og slå av vakuumpumpen.
7. Vente på 5 minuttene, så sjekk det der er blitt nei endre inne system trykk.

8. Hvis det er en endring i systemtrykket, se delen gasslekkasje sjekk for informasjon om hvordan du sjekker for lekkasjer. Hvis det ikke er noen endring i systemtrykket, skru av lokket fra den pakkede ventilen (høytrykksventil).
9. Sett inn Sekskantet skiftenøkkel i den pakkede ventilen (høytrykksventil) og åpne ventilen ved å dreie skrunøkkelen i en 1/4-sving mot urviseren. Lytt etter gass for å gå ut av systemet, og lukk deretter ventilen etter 5 sekunder.
10. Se trykkmåleren i ett minutt for å forsikre deg om at det ikke er noen endring i trykket. Trykkmåleren bør lese noe høyere enn atmosfærisk trykk.
11. Fjern lade slangen fra service porten.



12. Ved hjelp av Sekskantet nøkkel, åpne både høytrykks-og lavtrykks ventilene helt.
13. Stram ventildekslene på alle tre ventilene (service port, høyt trykk, lavt trykk) for hånd. Du kan stramme den ytterligere ved hjelp av en momentnøkkel om nødvendig.

! ÅPNE VENTIL STAMMER FORSIKTIG

Når åpningen av ventilen stammer, vrir du den sekskantede skiftenøkkelen til den slår mot proppen. Ikke prøv å tvinge ventilen til å åpne ytterligere.

Merknad om å legge til kuldemedium

Noen systemer krever ekstra ladning, avhengig av rørlengder. Standard rørlengde varierer i henhold til lokale bestemmelser. I Nord-Amerika er for eksempel standard rørlengde 7,5 m (25 '). I andre områder er standard rørlengden 5m (16 '). Kjølemidiet skal lades fra service porten på lavtrykks ventilen på utendørsanlegget. Den ekstra kjølemiddel som skal lades kan beregnes ved hjelp av følgende formel:

EKSTRA KULDEMEDIUM PER RØRLENGDE

Binde Rørlengde (m)	Metode for luft tømning	Ekstra kjølemiddel	
≤ Standard rørlengde	Vakuumpumpe	N/A	
> Standard rørlengde	Vakuumpumpe	Flytende side: Ø 6,35 (ø 0.25 ") R32: (Rørlengde - standard lengde) x 12g / m (Pipe lengde - standard lengde) x 0.13 oZ/ft R290: (Rørlengde - standard lengde) x 10g / m (Rørlengde - standard lengde) x 0,10oZ / ft R410A: (Rørlengde - standard lengde) x 15g / m (Rørlengde - standard lengde) x 0,16oZ / ft R22: (Rørlengde - standard lengde) x 20g / m (Rørlengde - standard lengde) x 0,21oZ / ft	Flytende side: Ø 9.52 (ø 0.375") R32: (Rørlengde - standard lengde) x 24g / m (Rørlengde - standard lengde) x 0,26oZ / ft R290: (Rørlengde - standard lengde) x 18g / m (Rørlengde - standard lengde) x 0,19 oz / fot R410A: (Rørlengde - standard lengde) x 30g / m (Rørlengde - standard lengde) x 0,32oZ / ft R22: (Rørlengde - standard lengde) x 40g / m (Rørlengde - standard lengde) x 0,42oZ / ft

For R290 kjølemiddel enhet, den totale mengden av kuldemedium som skal lades er ikke mer enn: 387g(<=9000Btu/h), 447g(>9000Btu/h and <=12000Btu/h), 547g(>12000Btu/h and <=18000Btu/h), 632g(>18000Btu/h and <=24000Btu/h).



FORSIKTIG IKKE bland kjølemiddeltypen.

Elektrisk og gasslekkasje sjekker

Før test kjøring

Utfør bare testkjøring etter at du har fullført følgende trinn:

- **Kontroll for elektriske sikkerhet** – Bekreft at enhetens elektriske system er trygt og fungerer som det skal
- **Kontroll for gasslekkasje** – Kontroller alle fakkelmutterkoblinger og bekreft at systemet ikke lekker
- Kontroller at ventilene for gass og væske (høy og lavtrykk) er helt åpne

Elektriske sikkerhetskontroller

Etter installasjonen må du bekrefte at alle elektriske ledninger er installert i henhold til lokale og nasjonale forskrifter, og i henhold til installeringshåndboken.

FØR TEST KJØRING

Sjekk jording arbeid

Mål jording motstand ved visuell deteksjon og med jording motstand tester. Jordingsmotstanden må være mindre enn 0,1 Ω .

Merk: Dette er kanskje ikke nødvendig for enkelte steder i Nord-Amerika.

UNDER TEST KJØRING

Sjekk for elektrisk lekkasje

Under **test kjøringen**, bruk en electroprobe og multimeter for å utføre en omfattende elektrisk lekkasje test.

Hvis det oppdages elektrisk lekkasje, slå av enheten umiddelbart og ring en autorisert elektriker for å finne og løse årsaken til lekkasjen.

Merk: Dette er kanskje ikke nødvendig for enkelte steder i Nord-Amerika.

⚠ ADVARSEL-FARE FOR ELEKTRISK STØT

ALLE LEDNINGER MÅ VÆRE I SAMSVAR MED LOKALE OG NASJONALE ELEKTRISITETSFORSKRIFTER, OG MÅ INSTALLERES AV EN AUTORISERT ELEKTRIKER.

Gasslekkasje sjekker

Det er to forskjellige metoder for å se etter gasslekkasjer.

Såpe og vann metode

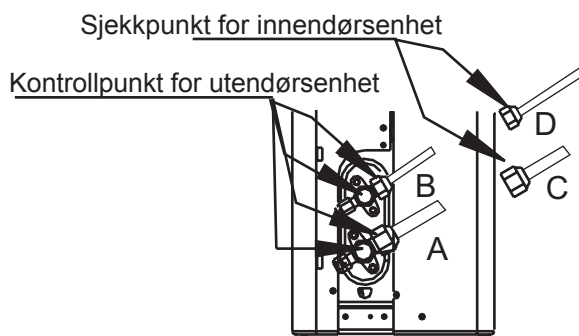
Bruk en myk børste, Påfør såpevann eller flytende vaskemiddel på alle rør tilkoblingspunkter på innendørsanlegget og utendørsenheten. Tilstedeværelsen av bobler indikerer en lekkasje.

Metode for lekkasje detektor

Hvis du bruker lekkasje detektor, se enhetens bruksanvisning for riktige bruksinstruksjoner.

ETTER UTFØRING AV GASSLEKKASJE SJEKKER

Etter å ha bekreftet at alle rør tilkoblingspunktene ikke lekker, må du skifte ut ventildekselet på utsiden heten.



- A: Lavtrykks stengeventil
- B: Høytrykks stengeventil
- C & D: Innendørsenhet bluss nøtter

Test kjøring

Instruksjoner for test kjøring

Du bør utføre **test kjøringen** i minst 30 minutter.

1. Koble strøm til enheten.
2. Trykk på **PÅ/AV**-knappen på fjernkontrollen for å slå den på.
3. Trykk på knappen **MODE** for å bla gjennom følgende funksjoner, én om gangen:
 - COOL – Velg lavest mulig temperatur
 - VARME – Velg høyest mulig temperatur
4. La hver funksjon kjøre i 5 minutter, og utfør følgende kontroller:

Liste over kontrollpunkter som skal utføres	BESTÅTT/IKKE BESTÅTT	
Ingen elektrisk lekkasje		
Enheden er skikkelig jordet		
Alle elektriske terminaler er godt dekket		
Innendørs og utendørs enheter er solid installert		
Alle rør tilkoblingspunkter lekker ikke	Utendørs (2):	Innendørs (2):
Vann avløp riktig fra avløpsslangen		
Alle rørene er skikkelig isolert		
Enheden utfører COOL-funksjonen på riktig måte		
Enheden utfører HEAT-funksjonen riktig		
Innendørsenhet lamellene rotere riktig		
Innendørsenhet reagerer på fjernkontrollen		

DOBBELTSJEKK RØRTILKOBLINGER

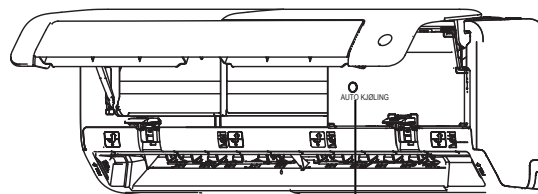
Under drift vil trykket i kjølemediekretsen øke. Dette kan avdekke lekkasjer som ikke var til stede under den første lekkasje sjekken. Ta tid under test kjøringen for å dobbeltsjekke at alle tilkoblingspunkter for kjølevæske rør ikke har lekkasjer. Se avsnittet **gasslekkasje** sjekk for instruksjoner.

5. Når test kjøringen er fullført, og du bekrefter at alle kontrollene i listen over kontroller som skal utføres, er bestått, gjør du følgende:
 - a. Bruk fjernkontrollen til å sette enheten tilbake til normal driftstemperatur.
 - b. Bruk isolasjonstape og pakk inn rørboblingene for kjølemiddel som har lagt avdekket under installasjonsprosessen for innendørsenheten.

HVIS OMGIVELSESTEMPERATUREN ER UNDER 17 °C (62 GRADER)

Du kan ikke bruke fjernkontrollen til å slå på funksjonen COOL når omgivelsestemperaturen er under 16°C. I dette tilfellet kan du bruke **MANUELL KONTROLL**-knappen for å teste **COOL**-funksjonen.

1. Knappen for **MANUELL KONTROLL** er plassert på høyre sidepanel på enheten.
2. Trykk på knappen 2 ganger for å velge funksjonen NEDKJØLING.
3. Utfør test kjøring som normalt.



Manuell kontrollknapp

Pakke ned og opp enheten

Instruksjoner for pakking og utpakking av enheten:

Utpakking:

Innendørsenhet:

1. Klipp forseglingsstapen på kartongen til venstre, i midten og til høyre ved hjelp av en kniv.
2. Bruk skrustikken til å ta ut forseglingsboltene på toppen av kartongen.
3. Åpne kartongen.
4. Ta ut den midtre støtteplaten hvis den er inkludert.
5. Ta ut tilbehørspakken, og ta ut tilkoblingsledningen hvis den følger med.
6. Løft maskinen ut av esken og plasser den på flatt underlag.
7. Fjern venstre og høyre emballasjeskum, eller øvre og nedre emballasjeskum, og fjern emballasjeposen.

Utendørs enhet

1. Kutt pakkestroppen.
2. Ta enheten ut av esken.
3. Fjern skummet fra enheten.
4. Fjern emballasjeposen fra enheten.

Pakking:

Innendørsenhet:

1. Legg innendørsenheten i pakkeposen.
2. Fest venstre og høyre emballasjeskum, eller øvre og nedre emballasjeskum til enheten.
3. Sett enheten inn i kartongen, og legg deretter tilbehørspakken inn.
4. Lukk kartongen og forsegl den med tape.
5. Bruk pakkestropp om nødvendig.

Utendørsenhet:

1. Legg utendørsenheten i pakkeposen.
2. Legg skummet i bunnen av esken.
3. Legg enheten inn i esken, og legg deretter det øvre emballasjeskummet over enheten.
4. Lukk kartongen og forsegl den med tape.
5. Bruk pakkestropp om nødvendig.

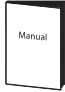
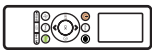
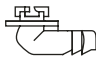
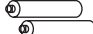




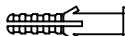


MERKNAD: Ta vare på all emballasje, da du kan trenge det i fremtiden.

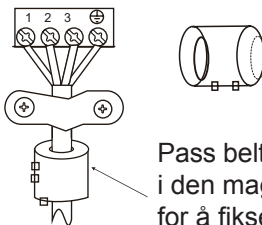
Installasjon Manual

Tilbehør	17
Installasjons Sammendrag – Innendørsenhet	18
Enhet deler	19
Innendørs enhet installasjon	20
1. Valg av plassering	20
2. Fest monteringsplaten til veggen	20
3. Bor vegg hull for binde rør	21
4. Klargjør rør for kjølemiddel	22
5. Feste avløpsslange	24
6. Koble til kabler for signal og strøm	25
7. Innpakking av rør og kabler	26
8. Monter innendørsenheten	26
Utendørsanleggs-installasjon	27
1. Valg av plassering	27
2. Installere avløpsledd	28
3. Feste utendørs enhet	28
4. Koble til kabler for signal og strøm	30
Kobling av kjølemedierør	31
A. Detaljer om lengden på rør	31
B. Instruksjon for tilkobling – rør for kjølemiddel	31
1. Kutte rør	31
2. Fjerne rivjern	32
3. Herde rør	32
4. Feste rør	32
Luftutslipp	34
1. Evakuerings instruksjoner	34
2. Tilleggs info om tilkobling av kjøling	35
Kontroll av det elektriske og gasslekkasje	36
Prøvekjøring	37
Pakke ned og ut enheten	38

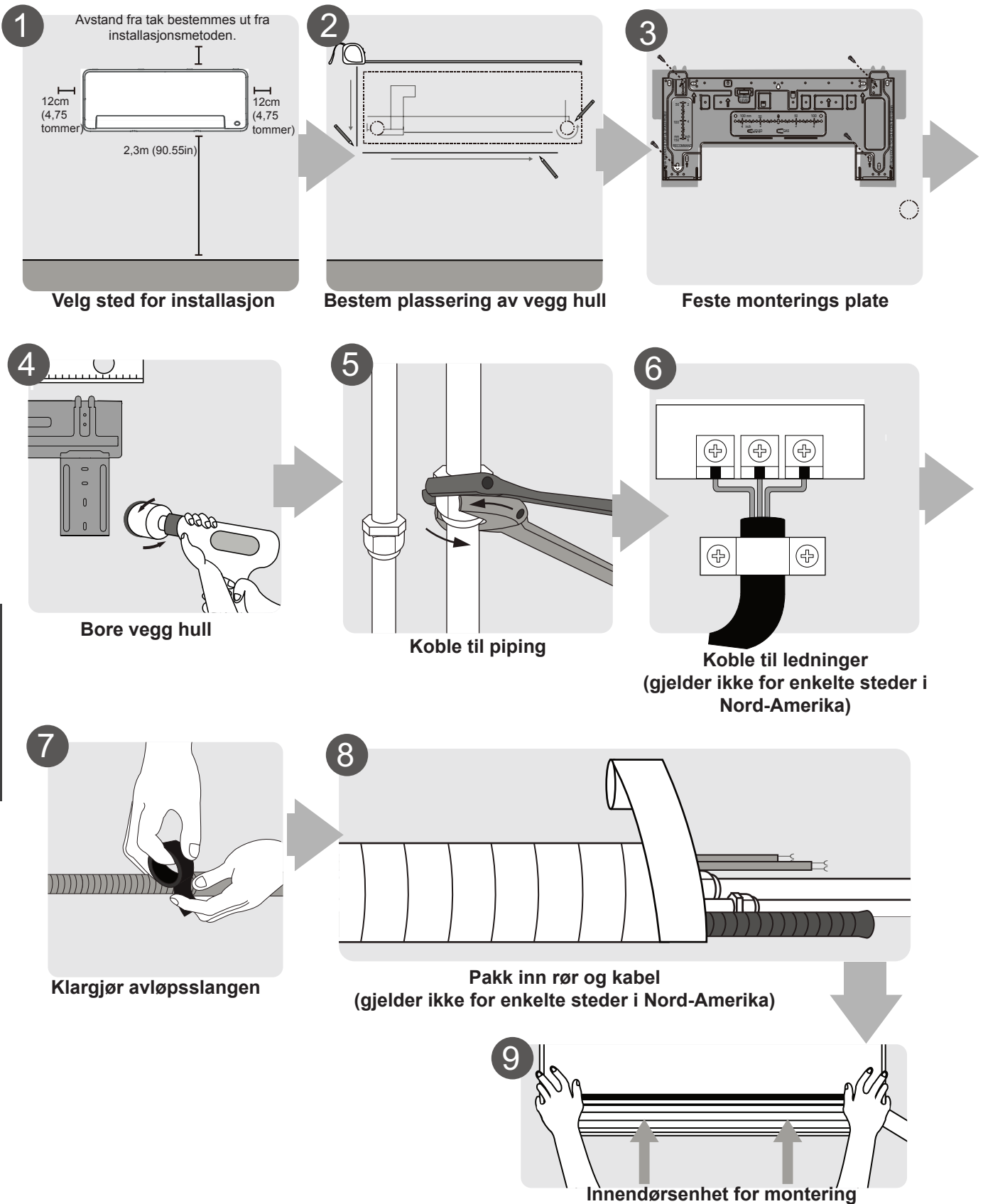
Tilbehør

Klimaanlegget leveres med følgende tilbehør. Bruk alle installasjons deler og tilbehør for å installere klimaanlegget. Feil installasjon kan føre til vannlekkasje, elektrisk støt og brann, eller føre til at utstyret svikter. Elementene er ikke inkludert med klimaanlegget må kjøpes separat.

Navn på tilbehør	Q'ty(pc)	Form	Navn på tilbehør	Q'ty(pc)	Form
Manuell	2-3		Fjernkontroll	1	
Drenerings ledd (for modeller med kjøling og oppvarming)	1		Batteri	2	
Tetning (for modeller med kjøling og oppvarming)	1		Fjernkontroll holder (valgfritt)	1	
Monteringsplaten	1		Feste skruer for fjernkontroll holder (valgfritt)	2	
Anker	5~8 (avhenger av modell)		Lite filter (Må installeres på baksiden av hoved luftfilteret av den autoriserte teknikerer mens du installerer maskinen)	1~2 (avhenger av modell)	
Feste skruer for monteringsplate	5~8 (avhenger av modell)				

Navn	Form	Antall (PC)	
Sammensetting av koblingskabel	Flytende side	Φ6,35(1/4 tommer)	Deler du må mangler Hase separat. Rådfør deg med forhandleren om riktig rørstørrelse for enheten du kjøpte.
		Φ9,52(3/8 tommer)	
	Gass side	Φ9,52(3/8 tommer)	
		Φ12,7(1/2 tommer)	
		Φ 16(5/8 tommer)	
		Φ 19(3/4in)	
Magnetisk ring og belte (hvis levert, se skjema for tilkobling for å installere det til tilkoblingskabelen.)	 <p>Pass beltet gjennom hullet i den magnetiske ringen for å fikse det på kabelen</p>	Varierer etter modell	

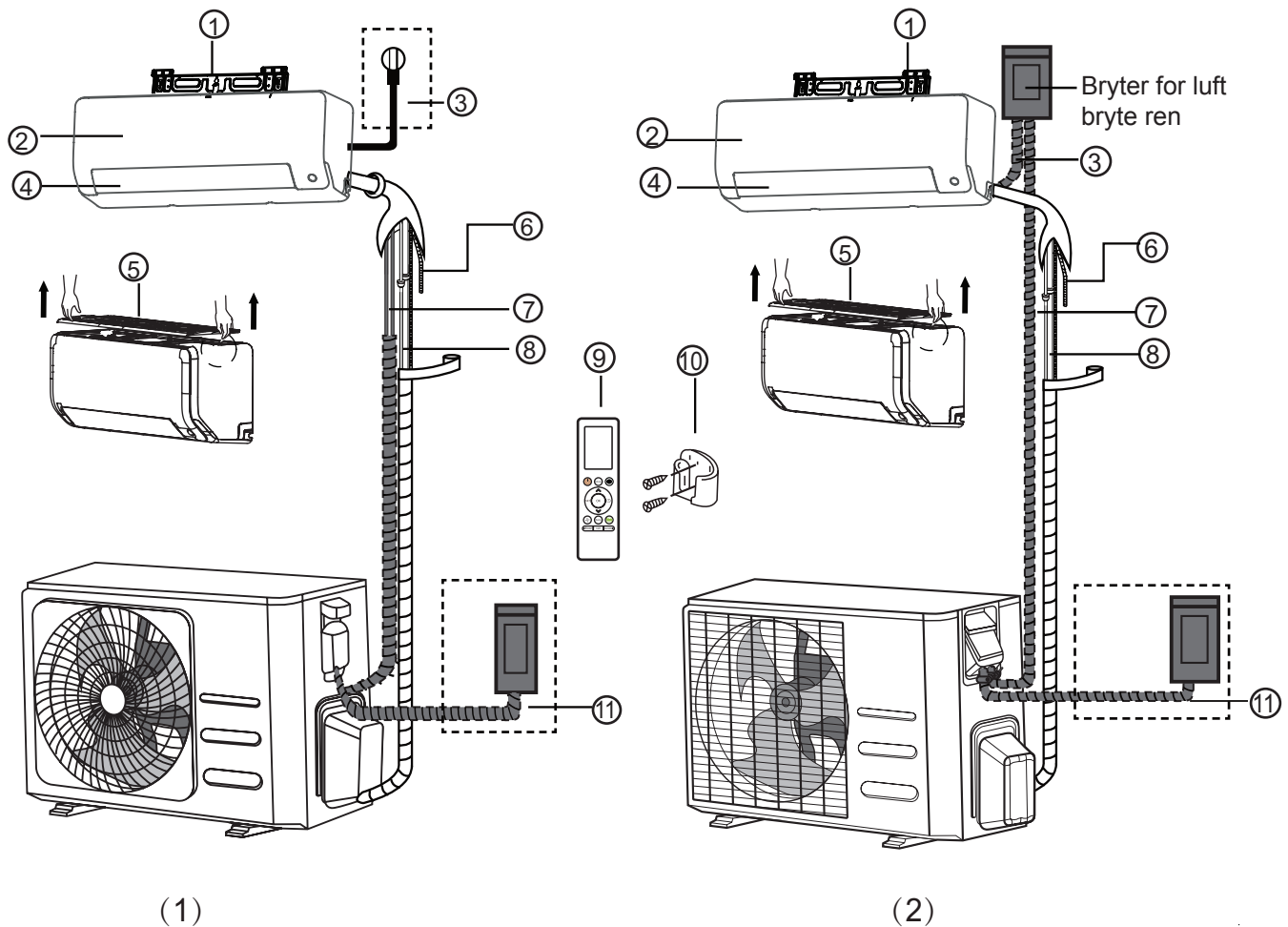
Installasjons Sammendrag – Innendørsenhet



Installasjons
Sammendrag –
Innendørsenhet

Enhet deler

MERKNAD: Installasjonen må utføres i samsvar med kravene i lokale og nasjonale standarder. Installasjonen kan være litt annerledes i ulike områder.



- | | | |
|-----------------------------|-----------------------------|---|
| ① Plate for veggmontering | ⑤ Luftfilter (trekk det ut) | ⑨ Fjernkontroll |
| ② Frontpanel | ⑥ Dreneringsrør | ⑩ Fjernkontrollholder (noen enheter) |
| ③ Strømkabel (noen enheter) | ⑦ Signalkabel | ⑪ Strømkabel for utendørsenhet (noen enheter) |
| ④ Lamell | ⑧ Kjølemiddelrør | |

MERK PÅ ILLUSTRASJONER

Illustrasjoner i denne håndboken er forklarende. Den faktiske formen på innendørsenheten kan være litt annerledes. Den faktiske formen skal gjelde.

Installasjon av innendørsenhet

Installeringsinstruksjoner – innendørsenhet

FØR INSTALLASJON

Før du monterer innendørsanlegget, må du se på etiketten på produkt boksen for å forsikre deg om at modellnummeret til innendørsenheten samsvarer med modellnummeret til utendørsenheten.

Trinn 1: Velg installasjonssted

Før du installerer innendørsenheten, må du velge et passende sted. Følgende er standarder som vil hjelpe deg å velge et passende sted for enheten.

Riktige installasjonssteder møter følgende standarder:

- God luftsirkulasjon
- Praktisk drenering
- Støy fra enheten vil ikke forstyrre andre mennesker
- Fast og solid – plasseringen vil ikke vibrere
- Sterk nok til å bære vekten av enheten
- Et sted minst én meter fra alle andre elektriske enheter (for eksempel TV, radio, datamaskin)

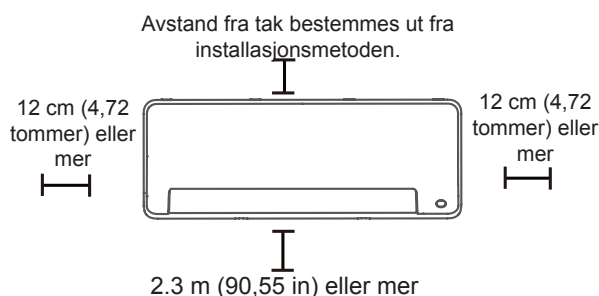
IKKE installer enheten på følgende steder:

- I nærheten av enhver varmekilde, damp eller brennbar gass
- Nær brennbare gjenstander som gardiner eller klær
- I nærheten av alle hindringer som kan blokkere luftsirkulasjon
- Nær døråpningen
- På et sted som er utsatt for direkte sollys

MERKNAD OM VEGG HULL:

Hvis det ikke er noe fast rør for kjølemiddel: Mens du velger et sted, Vær oppmerksom på at du bør la god plass for et vegg hull (se **bore vegg hull for binde rør** trinn) for signalkabel og kuldemedium rør som kobler innendørs og utendørs enheter. Standardposisjonen for alle rør er den høyre siden av innendørsenheten (mens enheten står vendt mot). Enheten kan imidlertid romme rør til både venstre og høyre.

Se følgende diagram for å sikre riktig avstand fra vegger og tak:



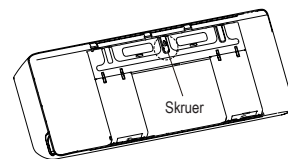
MERKNAD:

- **Hvis du ikke trenger bakfeste for å støtte opp enheten:** Gjør ferdig forbindelser til rør og kabler før innendørsenheten monteres på veggen. Hvis installasjonshøyden er begrenset, er 5 cm fra taket tillatt, men dette kan redusere produktets ytelse. For å sikre nok plass til å installere og fjerne det øvre luftfilteret, hold minst 10 cm eller mer fra taket.
- **Trenger bakfeste for å støtte opp enheten:** Hvis rør og kabel kobles sammen med frontpanelet åpent, er minimumsavstanden fra taket 22 cm eller mer, hvis rør og kabel kobles uten frontpanel (fjern det), er minimumsavstanden fra taket 11 cm eller mer.

Trinn 2: Fest monteringsplaten til vegg

Monteringsplaten er enheten du vil montere innendørsanlegget på.

- Fjern skruen som fester monteringsplaten til baksiden av innendørsenheten.



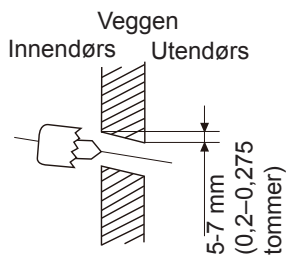
- Fest monteringsplaten til veggen med skruene som følger med. Pass på at monteringsplaten er flat mot veggen.

MERK FOR BETONG ELLER MURVEGGER:

Hvis veggen er laget av murstein, betong eller lignende materiale, Drill 5mm-diameter (0,2 i diameter) hull i veggen og sett inn ermet ankere forutsatt. Fest deretter monteringsplaten til veggen ved å stramme skruene direkte inn i klips ankere.

Trinn 3: Bor vegg hull for binde rør

1. Bestem plasseringen av veggen hullet basert på plasseringen av monteringsplaten. Se etter **dimensjoner for monterings plate**.
2. Benytt en 65mm (2,5in) eller 90mm (3,54in) (kommer ann på modell) drill, drill et hull i veggen Pass på at hullet er boret i en liten nedadgående vinkel, slik at den utendørs enden av hullet er lavere enn innendørs enden med ca 5mm til 7 mm (0,2-0,275 in). Dette vil sikre riktig vann drenering.



MERKNAD: Når koblingsrøret er på side med gass er Φ 16 mm (5/8 tommer) eller mer, skal vegghullet være 90 mm (3,54 tommer).

3. Plasser den beskyttende vegg mansjetten i hullet. Dette beskytter kantene av hullet og vil bidra til å forsegle den når du er ferdig med installasjonsprosessen.

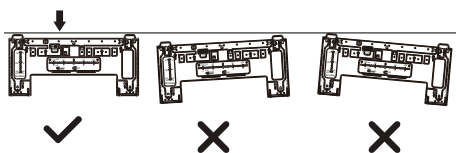
! FORSIKTIG

Ved boring av vegg hullet, sørg for å unngå ledninger, avløp og andre følsomme komponenter.

DIMENSJONER FOR MONTERINGS PLATE

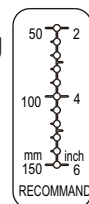
Ulike modeller har forskjellige monteringsplater. For enklere montering er det vaternivå, utskårne dimensjoner på monteringsplaten. Installer platen og bor vegghull i henhold til informasjonen på monteringsplaten. Se figurene nedenfor.

Riktig orientering av monteringsplaten

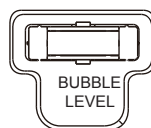


Enhet: mm (tommer)

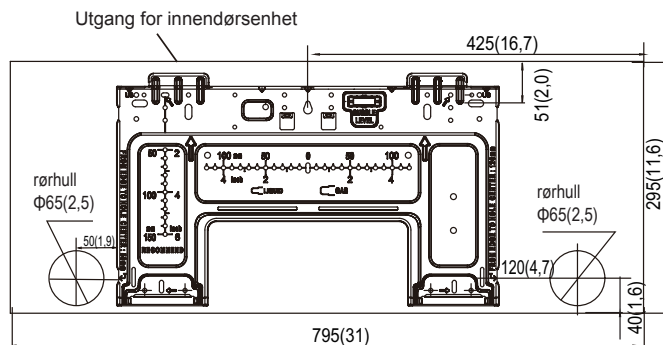
Målebånd for horisontal retning



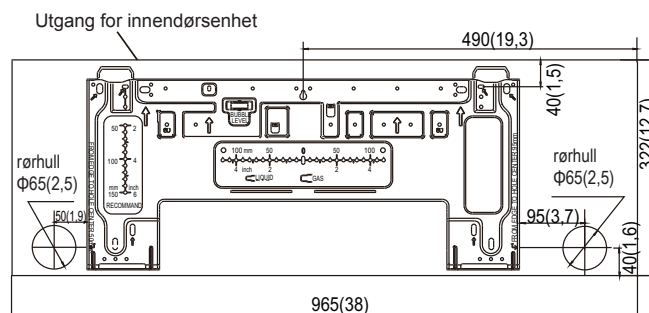
Målebånd for vertikal retning



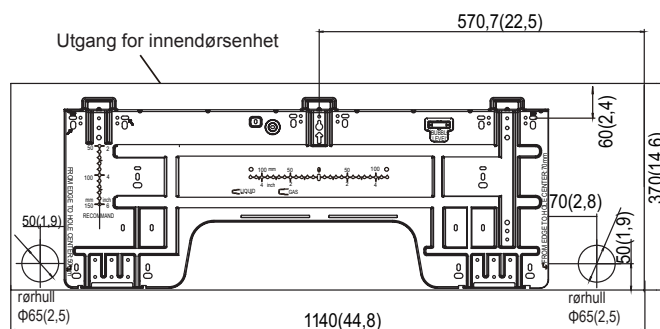
FORSIKTIG: Vaternivå på monteringsplaten kan ikke fjernes. Hvis den er ødelagt, sørg for å rense opp væsken som lekker.



Modell A



Model B



Modell C

Installasjon av innendørsenhet

Trinn 4: Klargjør kjølevæske rør

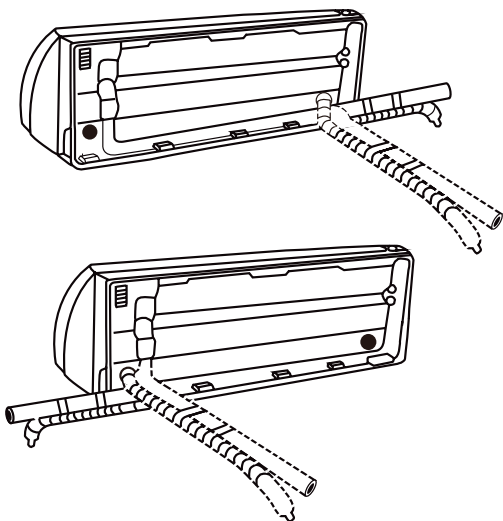
Kjøle medie rørene er inne i en isolerende hylse som er festet på baksiden av enheten. Du må forberede rørene før du passerer den gjennom hullet i veggen. Se avsnittet **Kobling av rør for kjølemiddel** i denne håndboken for detaljerte instruksjoner om rørfakling og krav til fakkelmoment, teknikk osv.

MERKNAD OM RØR VINKEL

Rør for kjølemiddel kan gå ut av innendørsenheten fra fire forskjellige vinkler:

- Venstre side
- Venstre bak
- Høyre side
- Høyre bak

Se **figurer nedenfor** for detaljer.



MERKNAD OM RØRKOBLING

- På enkelte lokalisasjoner i USA må det brukes et kanlrør for å koble til kabelen. For å sikre nok plass når rørene er i bruk og maskinen er mot veggen etter installasjon, anbefales det å feste avløpsslangen på høyre side (når du står mot baksiden av enheten).
- Når du velger Venstre side eller Høyre side rør, sørg for at rørene kommer ut horisontalt for ikke å påvirke det nedre panelet som er installert.

FORSIKTIG

Vær ekstremt forsiktig så du ikke bulker eller skader rørene mens du bøyer dem bort fra enheten. Alle bulker i rørene vil påvirke enhetens ytelse.

Hvis kjøle medie rørene allerede er innebygd i veggen, gjør du følgende:

Trinn 1: Hekt innendørsenheten på monteringsplaten:

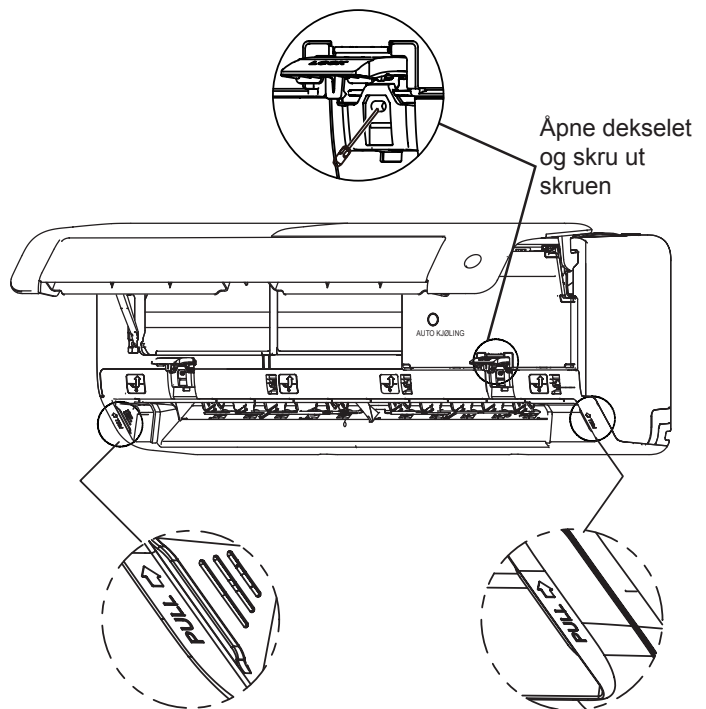
1. Husk at krokene på monteringsplaten er mindre enn hullene på baksiden av enheten. Hvis du finner ut at du ikke har god plass til å koble innebygde rør til innendørsanlegget, kan enheten justeres til venstre eller høyre med ca 30-50mm (1,18-1,95 in), avhengig av modell.



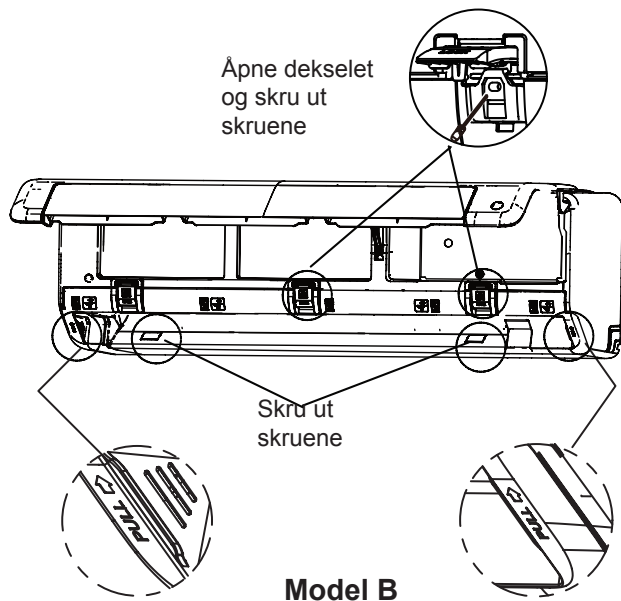
Flytte til venstre eller høyre

Trinn 2: Klargjør kjølevæske rør

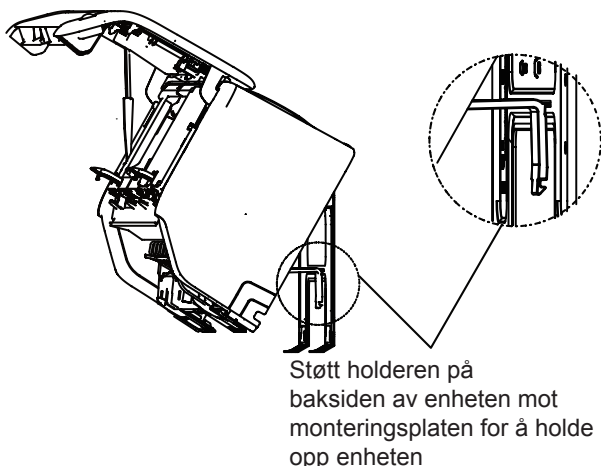
1. Åpne og still inn posisjonen til panelet, åpne deretter dekslene til låseblokkene, skru ut skruen som vist på bildet nedenfor, hold deretter begge sider av det nedre panelet på stedet merket med "TREKK", trekk det oppover for å løsne spennene, og ta så det nedre panelet ned.



Modell A



2. Bruk holderen på enheten sin baksida for å støtte opp enheten, slik at det er nok plass til å koble til røret for kjølemiddel, signalkabelen og avløpsslangen.



Trinn 3. Koble til avløpsslange og kjølemiddel rør (se avsnittet **Kobling av rør for kjølemiddel** i denne instruksjonshåndboken).

Trinn 4. Hold forbindelsespunktet for rør klarert for utfør lekkasjetesten (se **Elektriske kontroller og Kontroll** for lekkasje i denne håndboken).

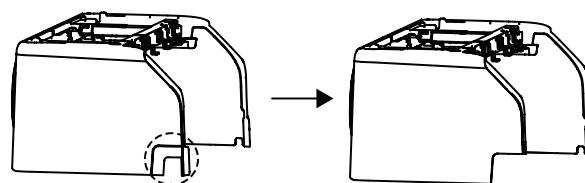
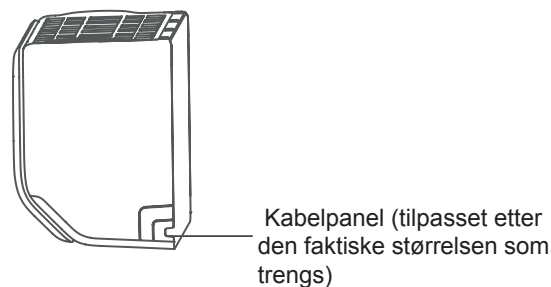
Trinn 5. Etter lekkasje testen, Pakk koblingspunktet med isolasjonstape.

Trinn 6. Fjern braketten eller kilen som er støttet med isolasjonstape.

Trinn 7. Bruk jevnt trykk, trykk ned på den nedre halvdelen av enheten. Fortsett å trykke ned til enheten klikker på krokene langs bunnen av monteringsplaten.

Hvis det ikke er rør for kjølemiddel innebygd i veggen, gjør følgende:

1. Basert på plasseringen av vegg hullet i forhold til monteringsplaten, velger du siden som rørene skal gå ut av enheten fra.
2. Hvis vegg hullet ligger bak enheten, må du holde det på plass. Hvis vegg hullet er på siden av innendørsenheten, må du fjerne plast-panelet fra den siden av enheten. (Se figuren nedenfor). Dette vil skape et spor der rørene kan gå ut av enheten. Bruk nål nese tang hvis plast panelet er for vanskelig å fjerne for hånd.



Hvis det er nødvendig å kutte til det store plastpanelet, følg instruksene ovenfor.

3. Bruk en saks for å kutte ned lengden på isolasjonshylsen for å avdekke ca. 40 mm (1,57 tommer) av rør kjølemiddel. Dette har to formål:
 - For å gjøre **prosessen med tilkobling** av rør kjølemiddel enklere.
 - For å gjøre det **enklere å kontrollere** for gasslekkasjer og gjøre deg i bedre stand til å se etter bulker
4. Bruk holderen på enheten sin baksida for å støtte opp enheten, slik at det er nok plass til å koble til røret for kjølemiddel, signalkabelen og avløpsslangen.
5. Koble innendørsenhetsens rør for kjølemiddel til forbindelsesrøret som skal forbinde enhetene som er innendørs og utendørs. Se delen **Kjølemedierør tilkobling i denne bruksanvisningen** for detaljerte instruksjoner.
6. Den nødvendige vinkelen på rørene blir bestemt basert på plasseringen av vegg hullet i forhold til monteringsplaten.
7. Ta tak i rør for kjølemiddel i bunnen når det bøyes.
8. Sakte og med jevnt trykk, bøyes røret mot hullet. **Rørene** må ikke dunkes eller skades under prosessen.

Trinn 5: Koble til avløpsslangen

Som standard er avløpsslangen festet til venstre side av enheten (når du står vendt mot baksiden av enheten). Det kan imidlertid også festes til høyre side. For å sikre riktig drenering, fest dreneringsslangen på samme side som kjøle medie rørene kommer ut av enheten.

MERKNAD: På enkelte områder i USA, og der maskinen har installert kanalpanelet, må man velge drenering på høyre side.

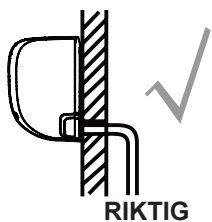
- Vikle tilkoblingspunktet godt med Teflon tape for å sikre en god forsegling og for å hindre lekkasjer.
- Fjern luftfilteret og hell en liten mengde vann i dreneringsbeholderen for å sikre at vannet renner jevnt fra enheten.

! MERK PÅ Plassering av

DRENERINGSSLANGE

Sørg for å arrangere avløpsslangen i henhold til Follo.

- Ø **IKKE** knekk avløpsslangen.
- Ø **IKKE** lag en vannlås.
- Ø **IKKE** legg enden av avløpsslangen i vann eller en beholder som samler opp vann.



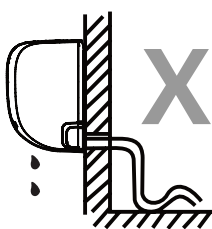
RIKTIG

Pass på at det ikke er noen knekk eller bulker i avløpsslangen for å sikre riktig drenering.



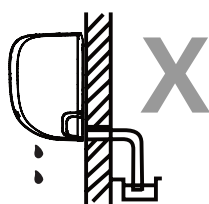
IKKE KORREKT

Kinks i avløpsslangen vil skape vannfeller.



IKKE KORREKT

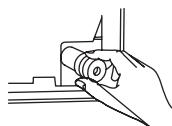
Kinks i avløpsslangen vil skape vannfeller.



IKKE KORREKT

Ikke plasser enden av avløpsslangen i vann eller i beholdere som samler vann. Dette vil hindre riktig drenering.

SETT INN DET UBRUKTE DRENERINGSHULLET



For å unngå uønskede lekkasjer må du plugge inn ubrukt DRENERINGSHULL med gummipluggen som følger med.

! LES DISSE FORSKRIFTENE FØR DU UTFØRER ELEKTRISK ARBEID

1. Alle ledninger må være i samsvar med lokale og nasjonale elektriske forskrifter, og må installeres av en autorisert elektriker.
2. Alle elektriske tilkoblinger må utføres i henhold til det elektriske tilkoblingsskjemaet som er plassert på panelene til innendørene og utendørsenhetene.
3. Hvis det er et alvorlig sikkerhetsproblem med strømforsyningen, stopp arbeidet umiddelbart. Forklar din begrunnelse til klienten, og nekter å installere enheten før sikkerhetsproblemet er riktig løst.
4. Strømspanningen bør være innenfor 90-110% av spenningsnivået. Utilstrekkelig strømforsyning kan forårsake funksjonsfeil, elektrisk støt eller brann.
5. Hvis du kobler strøm til faste ledninger, bør en overspenningsvern og hovedstrømbryter installeres.
6. Ved tilkobling av strøm til faste ledninger, en bryter eller strømbryter som kobler alle polene og har en kontakt separasjon av minst 1/8i (3mm) må være innarbeidet i den faste ledninger. Den kvalifiserte teknikeren må bruke en godkjent strømbryter eller bryter.
7. Bare koble enheten til en individuell gren krets utløp. Ikke koble et annet apparat til dette uttaket.
8. Sørg for å riktig bakken klimaanlegget.
9. Hver ledning må være godt tilkoblet. Løse ledninger kan føre til overoppheting av terminalen, noe som resulterer i feil på produktet og mulig brann.
10. Ikke la ledningene berøre eller hvile mot kulde medie rør, kompressoren eller noen bevegelige deler i enheten.
11. Hvis enheten har en ekstra elektrisk Varmeovn, må den monteres minst 1 meter (40in) vekk fra brennbare materialer.
12. For å unngå å få elektrisk støt må du aldri berøre de elektriske komponentene kort tid etter at strømforsyningen er slått av. Når du har slått av strømmen, må du alltid vente i 10 minutter eller mer før du berører de elektriske komponentene.



ADVARSEL

Før du utfører elektrisk arbeid eller ledningsarbeid, slå av hovedstrømmen til systemet.

Trinn 6: Koble til signal-og strømkabler

Signalkabelen muliggjør kommunikasjon mellom innendørs-og utendørs enhetene. Du må først velge riktig kabel størrelse før du klargjør den for tilkobling.

Kabeltyper

- **Innendørs strømkabel** (hvis aktuelt): HH05VV-F / EU-OSK103 / H05V2V2-F
 - **Utendørs strømkabel:** H07RN-F / EU-OSK103 / H05RN-F
 - **Signalkabel:** H07RN-F
- MERKNAD:** I Nord Amerika, benytt riktig type kabler i henhold til lokale koder og reguleringer.

Minimum tverrsnitt av strøm og signal kabler (for referanse)
(Gjelder ikke for Nord-Amerika)

Aktuell strøm av apparatet (A)	Nominell tverrsnitt (mm ²)
> 3 og ≤ 6	0,75
> 6 og ≤ 10	1
> 10 og ≤ 16	1,5
> 16 og ≤ 25	2,5
> 25 og ≤ 32	4
> 32 og ≤ 40	6

VELG RIKTIG KABELSTØRRELSE

Størrelsen på strømforsyningskabelen, signalkabelen, sikringen og bryteren som er nødvendig, bestemmes av enhetens maksimale strøm. Maksimal strøm er angitt på typeskiltet som ligger på sidepanelet på enheten. Se denne typeskiltet for å velge riktig kabel, sikring eller bryter.

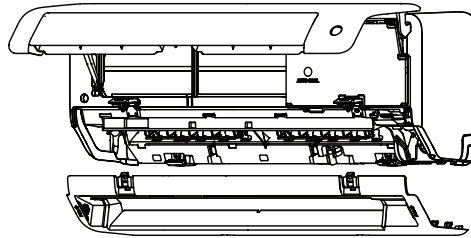
MERKNAD: I Nord Amerika, vennligst velg riktig kabelstørrelse i henhold til minimum krav oppført på typeplaten.

1. Åpne og still inn posisjonen til panelet, åpne deretter dekslene til de to låseblokkene, skru ut skruen, hold deretter begge sider av det nedre panelet på stedet merket med "TREKK", trekk det oppover for å frigjøre spennene, og ta deretter det nedre panelet ned (se side 22-23).
2. Åpne deksel til ledning for å koble til kabelen.
3. Skru av kabelklemmen under klemmeblokken og legg den til siden.
4. Ta av plast panelet nederst til venstre på baksiden av enheten.

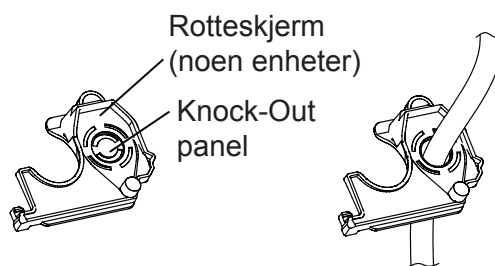
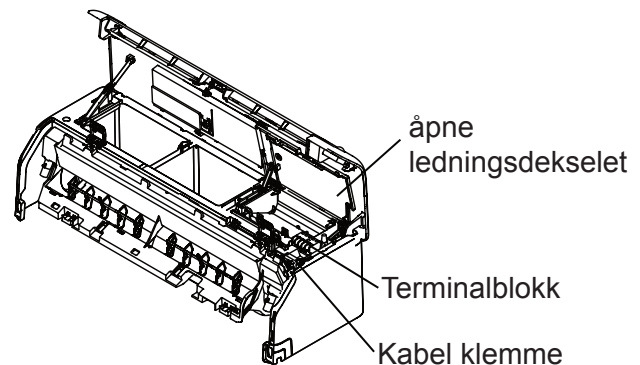
ADVARSEL

ALLE LEDNINGER MÅ UTFØRES STRENGT I HENHOLD TIL KOBLINGSSKJEMAET SOM FINNES PÅ BAKSIDEN AV INNENDØRS ENHETENS FRONT PANEL.

5. Strømsignal ledningen gjennom dette sporet, fra baksiden av enheten til fronten.
6. Facing fronten av enheten, koble ledningen i henhold til innendørs enhetens koblingsskjema, koble u-lug og fast skruen hver ledning til den tilsvarende terminalen.



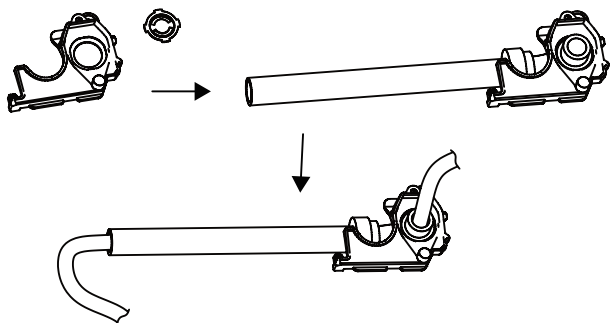
Åpne først frontpanelet, og fjern deretter det nedre panelet.



MERKNAD: Dersom størrelsen på kabelen er for stor, fjern det midterste, lille kabelpanelet i plast for å lage et spor som kabelen kan gå ut gjennom. Hvis du vil fjerne chassiset eller avløpslangen, må du først fjerne rotteskjermen.

I Nord-Amerika

Fjern først kabelpanelet for å lage et spor som kanalrøret kan installeres gjennom. Trekk deretter kabelen gjennom kanalrøret og koble til innendørsenheten.



! FORSIKTIG

IKKE BLAND SAMMEN LIVE-OG NULL LEDNINGER

Dette er farlig, og kan føre til at klimaanlegget ikke fungerer som det skal.

- Etter at du har kontrollert at alle tilkoblinger er sikre, bruker du kabel klemmen til å feste signalkabelen til enheten. Skru kabelklemmen tett ned.
- Sett på wire dekselet på fremsiden av enheten, og plast panelet på baksiden.

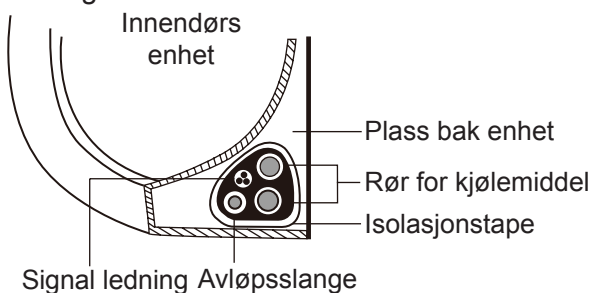
! MERKNAD OM LEDNINGSNETT

LEDNINGS TILKOBLINGSPROSESSEN KAN VARIERE NOE MELLOM ENHETER OG REGIONER.

Trinn 7: Innpakning og kabler

Før du skal føre rørene, avløpsslangen og signalkabelen gjennom veggullet, må du knyte dem sammen for å spare plass, beskytte dem og isolere dem (Dette gjelder kanskje ikke for enkelte steder i USA).

- Bunt dreneringsslangen, kuldemedium rør, og signalkabel som vist nedenfor:



AVLØPSSLANGEN MÅ VÆRE PÅ BUNNEN

Pass på at avløpsslangen er på bunnen av bunten. Dersom avløpsslangen settes på toppen kan det føre til at avløpsbeholderen renner over, noe som kan føre til brann eller vannskade.

IKKE FLETTER SIGNAL KABEL MED ANDRE LEDNINGER

Mens bunting disse elementene sammen, ikke fletter eller krysser signalkabelen med andre ledninger.

- Ved hjelp av selvklebende vinyl tape fester du dreneringsslangen til undersiden av kjøle medie rørene.
- Ved hjelp av isolasjons tape, Pakk signal wire, kuldemedium rør, og avløpsslangen tett sammen. Dobbeltsjekk at alle elementene er buntet.

IKKE PAKK ENDENE PÅ RØRENE

Når du pakker inn pakken, må du holde endene på rør pakket. Du må få tilgang til dem for å teste for lekkasjer på slutten av installasjonsprosessen (se avsnittet **elektriske sjekker og lekkasje sjekker** i denne bruksanvisningen).

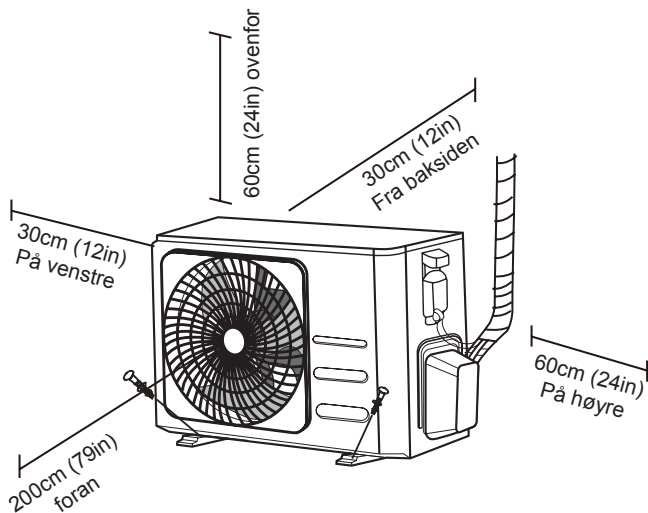
Trinn 8: Innendørsenhet for montering

Dersom du har installert nye tilkoblingsrør til utendørsenheten, må følgende gjøres:

- Hvis du allerede har passert kuldemedium rørene gjennom hullet i veggen, går du videre til trinn 4.
- Ellers Dobbeltsjekk at endene av kuldemedium rørene er forseglet for å hindre smuss eller fremmedlegemer fra å komme inn i rørene.
- Langsamt passere innpakket bunt av kjølemiddelrør, avløpsslangen, og signal wire gjennom hullet i veggen.
- Hekt toppen av innendørsenheten på den øvre kroken på monteringsplaten.
- Kontroller at enheten sitter fast på monteringen ved å påføre lett trykk på venstre og høyre side av enheten. Enheten skal ikke jiggle eller forskyves.
- Bruk jevnt trykk, trykk ned på den nedre halvdelen av enheten. Fortsett å trykke ned til enheten klikker på krokene langs bunnen av monteringsplaten.
- Igjen, kontroller at enheten er godt festet ved å påføre lett trykk på venstre og høyre side av enheten.

Installasjon av utendørsenhet

Installer enheten ved å følge lokale regler og forskrifter, kan det være litt forskjellig mellom ulike regioner.



Installasjonsinstruksjoner – utendørsenhet

Trinn 1: Velg installasjonssted

Før du installerer utendørsenheten, må du velge et passende sted. Følgende er standarder som vil hjelpe deg å velge et passende sted for enheten.

Riktige installasjonssteder møter følgende standarder:

- Oppfyller alle romlige krav som vises i krav til installerings plass ovenfor.
- God luftsirkulasjon og ventilasjon
- Fast og solid – plasseringen kan støtte enheten og vil ikke vibrere
- Støy fra enheten vil ikke forstyrre andre
- Beskyttet fra lengre perioder med direkte sollys eller regn
- I områder med forventet snøfall, sett i gang passende tiltak for å forhindre is og skader på spiral.

IKKE installer enheten på følgende steder:

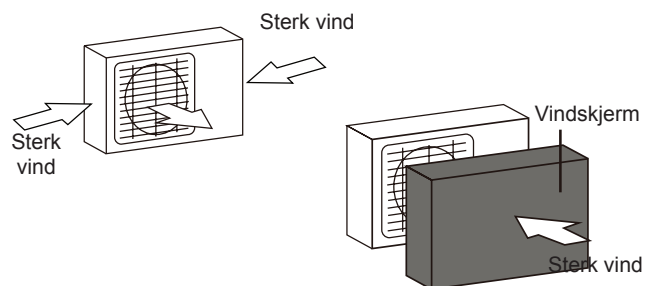
- ⊘ I nærheten av et hinder som vil blokkere luftinntak og-uttak
- ⊘ Nær en offentlig gate, overfylte områder eller hvor støy fra enheten kan virke forstyrrende for andre.
- ⊘ Nær dyr eller planter som kan ta skade av varmlufts utløp
- ⊘ Nær noen form for lett antennelig gass
- ⊘ På et sted som er utsatt for store mengder støy
- ⊘ På et sted utsatt for store mengder salt luft

SPESIELLE HENSYN FOR EKSTREMVÆR

Hvis enheten utsettes for kraftig vind:

Monter enheten slik at luft utløps viften er i 90 ° vinkel i retning av vinden. Om nødvendig, bygg en barriere foran enheten for å beskytte den mot ekstremt kraftig vind.

Se tall nedenfor.



Hvis enheten ofte utsettes for kraftig regn eller snø:

Bygg en ly over enheten for å beskytte den mot regn eller snø. Vær forsiktig slik at ikke luftstrømmen rundt enheten blir hindret.

Hvis enheten er ofte utsatt for salt luft (Seaside):

Bruk utendørsenhet som er spesielt designet for å motstå korrosjon.

Trinn 2: Monter avløps leddet (kun varmepumpe-enhet)

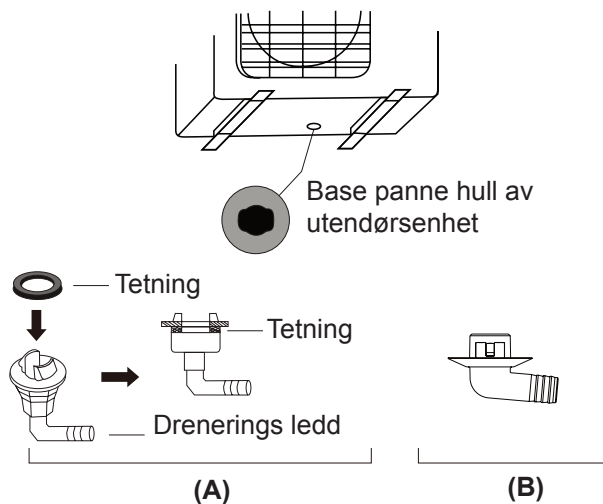
Før du bolting utendørsanlegget på plass, må du installere drenerings leddet nederst på enheten. Merk at det er to forskjellige typer drenerings skjøter avhengig av type utendørsenhet.

Hvis drenerings leddet kommer med en gummi forsegling (se fig. A), gjør du følgende:

1. Monter gummiforseglingen på enden av drenerings leddet som vil koble til utendørsanlegget.
2. Sett dreneringsleddet inn i hullet på undersiden av enheten.
3. Roter drenerings leddet 90 ° til den klikker på plass vendt mot fronten av enheten.
4. Koble til en avløpsslange-forlenger (ikke inkludert) til dreneringsleddet for å omdirigere vann fra enheten under oppvarmingsmodus.

Hvis drenerings skjøten ikke kommer med en gummi forsegling (se Fig. B), gjør du følgende:

1. Sett dreneringsleddet inn i hullet på undersiden av enheten. Drenerings leddet vil klikke på plass.
2. Koble til en avløpsslange-forlenger (ikke inkludert) til dreneringsleddet for å omdirigere vann fra enheten under oppvarmingsmodus.



! I KALDT KLIMA

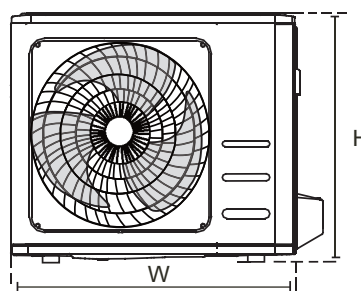
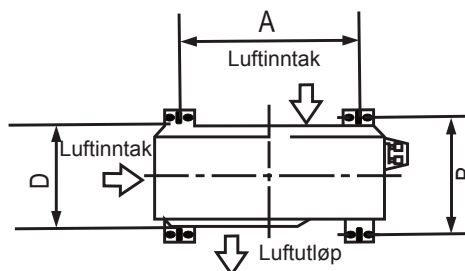
I kaldt klima, sørg for at avløpsslangen er så vertikal som mulig for å sikre rask drenering. Hvis vannet renner for langsomt, kan det fryse i slangen og flom enheten.

Trinn 3: Anchor utendørsenhet

Utendørsanlegget kan forankres på bakken eller på en veggmontert brakett med bolt (M10). Forbered installasjonsbasen til enheten i henhold til dimensjonene nedenfor.

DIMENSJONER FOR ENHETS MONTERING

Det følgende er en liste over forskjellige utendørs enhets størrelser og avstanden mellom deres monterings føtter. Forbered installasjonsbasen til enheten i henhold til dimensjonene nedenfor.



Dimensjoner for utendørsenhet (mm) W x H x D	Montering dimensjoner	
	Avstand A (mm)	Avstand B (mm)
681 x 434 x 285 (26,8" x 17,1" x 11,2")	460 (18,1")	292 (11,5")
700x550x270 (27,5"x 21,6"x 10,6")	450 (17,7")	260 (10,2")
700x550x275 (27,5"x 21,6"x 10,8")	450 (17,7")	260 (10,2")
720x495x270 (28,3"x 19,5"x 10,6")	452 (17,8")	255 (10,0")
728x555x300 (28,7"x 21,8"x 11,8")	452 (17,8")	302 (11,9")
765x555x303 (30,1"x 21,8"x 11,9")	452 (17,8")	286 (11,3")
770x555x300 (30,3"x 21,8"x 11,8")	487 (19,2")	298 (11,7")
805x554x330 (31,7"x 21,8"x 12,9")	511 (20,1")	317 (12,5")
800x554x333 (31,5"x 21,8"x 13,1")	514 (20,2")	340 (13,4")
845x702x363 (33,3"x 27,6"x 14,3")	540 (21,3")	350 (13,8")
890x673x342 (35,0"x 26,5"x 13,5")	663 (26,1")	354 (13,9")
946x810x420 (37,2"x 31,9"x 16,5")	673 (26,5")	403 (15,9")
946x810x410 (37,2"x 31,9"x 16,1")	673 (26,5")	403 (15,9")

Hvis du vil installere enheten på bakken eller på en konkret monterings plattform, gjør du følgende:

1. Merk posisjonene for fire ekspansjons bolter basert på dimensjons diagrammet.
2. Før bore hull for ekspansjons bolter.
3. Plasser en mutter på enden av hver ekspansjonsbolt.
4. Hammer ekspansjons bolter i pre-boret hull.
5. Fjern mutrene fra ekspansjons bolter, og plasser utendørsenhet på bolter.
6. Sett skive på hver ekspansjonsbolt, og deretter erstatte nøtter.
7. Bruk en skrunøkkel til å stramme hver mutter til den sitter tett.



ADVARSEL

NÅR DU BORER TIL BETONG, ANBEFALES ØYEBESKYTTELSE TIL ENHVER TID.

Hvis du skal installere enheten på en veggmontert brakett, gjør du følgende:



FORSIKTIG

Pass på at veggen er laget av solid murstein, betong, eller av lignende sterkt materiale. **Veggen må være i stand til å støtte minst fire ganger vekten av enheten.**

1. Merk posisjonen til klemme hullene basert på dimensjons diagrammet.
2. Pre-bore hullene for ekspansjons bolter.
3. Plasser en skive og mutter på enden av hver ekspansjonsbolt.
4. Tråd ekspansjons bolter gjennom hull i monteringsbraketter, sett monteringsbraketter i posisjon, og Hammer ekspansjons bolter inn i veggen.
5. Kontroller at monteringsbrakettene er Plant.
6. Løft enheten forsiktig, og plasser monterings føttene på brakettene.
7. Bolt enheten godt til brakettene.
8. Hvis det er tillatt, installerer du enheten med gummipakninger for å redusere vibrasjoner og støy.

Trinn 4: Koble til signal-og strømkabler

Utsiden enhetens Terminal blokk er beskyttet av et elektrisk Lednings deksel på siden av enheten. Et omfattende koblingsskjema er trykt på innsiden av Lednings dekselet.

ADVARSEL

Før du utfører elektrisk arbeid eller ledningsarbeid, slå av hovedstrømmen til systemet.

1. Klargjør kablet for tilkobling:

BRUK RIKTIG KABEL

Velg riktig kabel, se "Kabeltyper" på side 25.

VELG RIKTIG KABELSTØRRELSE

Størrelsen på strømforsyningskablet, signalkablet, sikringen og bryteren som er nødvendig, bestemmes av enhetens maksimale strøm. Maksimal strøm er angitt på typeskiltet som ligger på sidepanelet på enheten.

MERKNAD: I Nord Amerika, vennligst velg riktig kabelstørrelse i henhold til minimum krav oppført på typeplaten.

- a. Bruk wire strippere, Strip gummi jakken fra begge endene av kablet for å avdekke om 40mm (1,57 in) av ledningene inne.
- b. Trekk isolasjonen fra endene av ledningene.
- c. Bruk en wire crimper, klemme u-ører på endene av ledningene.

VÆR OPPMERKSOM PÅ LIVE WIRE

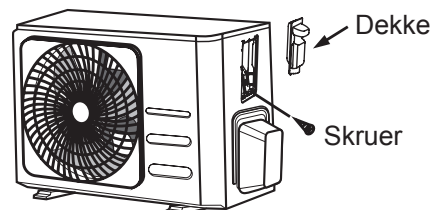
Mens krymping ledninger, sørg for at du tydelig skille Live ("L") Wire fra andre ledninger.

ADVARSEL

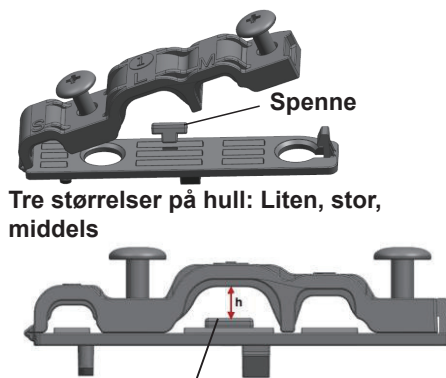
ALT LEDNINGS ARBEID MÅ UTFØRES STRENGT I HENHOLD TIL KOBLINGSSKJEMAET SOM BEFINNER SEG PÅ INNSIDEN AV WIRE DEKSELET TIL UTENDØRSANLEGGET.

2. Skru ut det elektriske Lednings dekselet og ta det ut.
3. Skru av kabelklemmen under klemmeblokken og legg den til siden.
4. Koble ledningen i henhold til koblingsskjema, og fast skruen u-lug av hver ledning til den tilsvarende terminalen.
5. Etter å ha sjekket for å sikre at hver tilkobling er sikker, sløyfe ledningene rundt for å hindre regnvann fra strømmer inn i terminalen.
6. Bruk kabel klemmen og fest kablet til enheten. Skru kabelklemmen tett ned.

7. Isolere ubrukte ledninger med PVC elektrisk tape. Ordne dem slik at de ikke berører noen elektriske eller metalldele.
8. Sett på wire dekselet på siden av enheten, og skru det på plass.



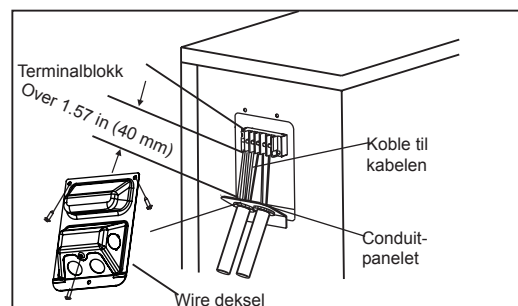
MERKNAD: Hvis kabelklemmen ser ut som følgende, velg passende gjennomgående hull i henhold til ledningen sin diameteren.



Når kablet ikke er festet godt nok, bruk spennen til å støtte den opp, slik at den kan klemmes godt.

I Nord-Amerika

1. Fjern wire dekselet fra enheten ved å løsne de 3 skruene.
2. Demonter caps på kanalpanelet.
3. Temporarily monterer rør rørene (ikke inkludert) på kanalpanelet.
4. Koble både strømforsyningen og lavspennings linjene til de tilsvarende terminalene på terminalblokken.
5. Ground enheten i samsvar med lokale koder.
6. Sørg for å størrelse hver wire slik at flere inches lengre enn den nødvendige lengde for kabling.
7. Bruk Låsemuttere for å sikre rør rørene.



Vennligst velg riktig gjennom-hullet i henhold til diameteren på ledningen.

Kjølemedierør ledningstilkobling

Ved tilkobling av kuldemedium rør, **ikke** la andre stoffer eller gasser enn det spesifiserte kjølemediet inn i enheten. Tilstedeværelsen av andre gasser eller stoffer vil senke enhetens kapasitet, og kan forårsake unormalt høyt trykk i kjølesyklusen. Dette kan føre til eksplosjon og skade.

Merknad om pipe lengde

Lengden på kjøle medie rørene vil påvirke enhetens ytelse og energieffektivitet. Nominell virkningsgrad testes på enheter med en rørlengde på 5 meter (16.5 ft) (i Nord-Amerika er standard rørlengde 7,5 m (25')). Det kreves et minimums rør på 3 meter for å minimere vibrasjons & overdreven støy. I spesielle tropiske området, for R290 kjølemedium modeller, kan ingen kuldemedium legges og den maksimale lengden av kjølemediet rør bør ikke overstige 10 meter (32.8 ft).

Se tabellen nedenfor for spesifikasjoner på den maksimale lengden og dråpe høyden på rørene.

Maksimal lengde og dråpe høyde på kjølemedium piping per enhet modell

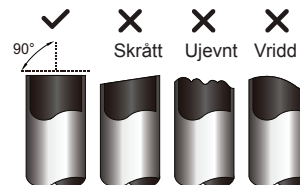
Modell	Kapasitet (BTU/h)	Maks. Lengde (m)	Maks. Drop høyde (m)
R410A, R32 Inverter Split klimaanlegg	< 15,000	25 (82 fot)	10 (33ft)
	≥ 15,000 og < 24,000	30 (98,5ft)	20 (66ft)
	≥ 24,000 og < 36,000	50 (164ft)	25 (82 fot)
R22 delt klimaanlegg med fast hastighet	< 18,000	10 (33ft)	5 (16ft)
	≥ 18,000 og < 21,000	15 (49ft)	8(26ft)
	≥ 21,000 og < 35,000	20 (66ft)	10(33ft)
R410A, R32 delt klimaanlegg med fast hastighet	< 18,000	20 (66ft)	8(26ft)
	≥ 18,000 og < 36,000	25 (82 fot)	10(33ft)

Tilkoblingsinstruksjoner – kjølemiddel piping

Trinn 1: Skjære rør

Når du forbereder kuldemedium rør, ta ekstra forsiktighet for å kutte og fakkell dem riktig. Dette vil sikre effektiv drift og minimere behovet for fremtidig vedlikehold.

1. Mål avstanden mellom innendørs og utendørs enheter.
2. Ved hjelp av en rørkutter, kutt røret litt lenger enn den målte avstanden.
3. Pass på at røret er skåret i en perfekt 90 ° vinkel.



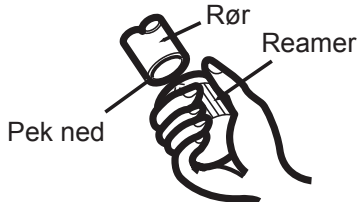
IKKE DEFORMER RØR UNDER KUTTING

Vær ekstra forsiktig slik at du ikke skader, bulker eller deformeres røret mens du skjærer. Dette vil drastisk redusere oppvarmings effektiviteten til enheten.

Trinn 2: Fjern grader

Grader kan påvirke den lufttette forseglingen av kjølemedierør tilkobling. De må fjernes helt.

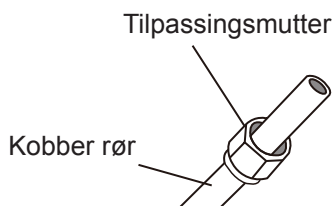
1. Hold røret i en nedadgående vinkel for å hindre at grader faller ned i røret.
2. Bruk et reamer eller deburring verktøy til å fjerne alle grader fra snitt delen av røret.



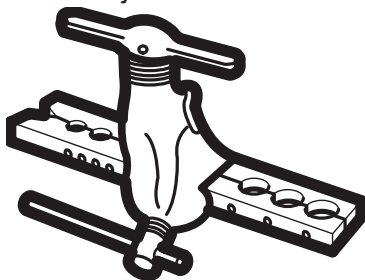
Trinn 3: Fakkell rør ender

Riktig fakling er avgjørende for å oppnå en lufttett forsegling.

1. Etter fjerning av grader fra kuttet rør, forsegle endene med PVC-tape for å hindre at fremmedlegemer kommer inn i røret.
2. Skjede røret med isolerende materiale.
3. Plasser bluss nøtter på begge ender av røret. Sørg for at de er vendt i riktig retning, fordi du ikke kan sette dem på eller endre deres retning etter fakkelen.

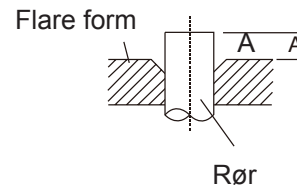


4. Fjern PVC tape fra endene av røret når du er klar til å utføre fakkelen arbeid.
5. Klemmeform på enden av røret. Enden av røret må gå utover kanten av fakkelformen i henhold til dimensjonene vist i tabellen nedenfor.



PIPING FORLENGELSE BEYOND FLARE FORM

Rørets ytre diameter (mm)	A (mm)	
	Min.	Maks.
Ø 6,35 (Ø 0,25")	0,7 (0,0275)	1,3 (0,05)
Ø 9,52 (Ø 0,375")	1,0 (0,04")	1,6 (0,063")
Ø 12,7 (Ø 0,5")	1,0 (0,04")	1,8 (0,07")
Ø 16 (Ø 0,63")	2,0 (0,078")	2,2 (0,086")
Ø 19 (Ø 0,75")	2,0 (0,078")	2,4 (0,094")



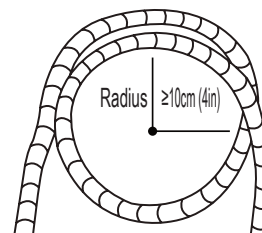
6. Plasser flamme verktøyet på skjemaet.
7. Drei håndtaket på flamme verktøyet med urviseren til røret er helt blusset.
8. Fjern fakkelen verktøyet og fakkell form, deretter inspisere enden av røret for sprekker og til og med fakkelen.

Trinn 4: Koble til rør

Ved tilkobling av kjølevæske rør, vær forsiktig så du ikke bruker overdrevent dreiemoment eller for å deformere rørene på noen måte. Du bør først koble til rør for lavtrykk, deretter rør for høytrykk.

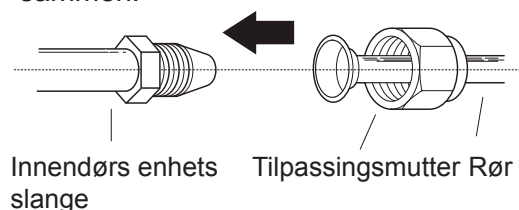
MINIMUM BEND RADIUS

Når du bøyer binde kuldemedium rør, er minimum bøyings radius 10 cm.

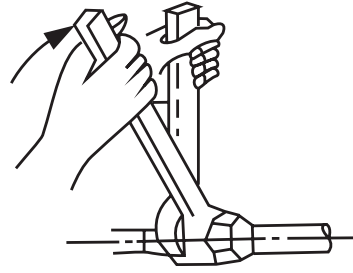


Instruksjoner for tilkobling av rør til Innendørs enhet

1. Rett inn midten av de to rørene du vil koble sammen.



2. Stram flamme mutteren så godt som mulig for hånd.
3. Ved hjelp av en nøkkel, grip mutteren på enheten slangen.
4. Bruk en momentnøkkel til å stramme den koniske mutteren i samsvar med dreiemoment verdiene i tabellen dreiemoment krav, mens du **strammer mutteren** på enhets slangen. Løsne fakkemutteren litt, og stram deretter igjen.



KRAV TIL DREIEMOMENT

Rørets ytre diameter(mm)	Tiltrekkingsmoment (N·m)	Fakkeldimensjon (B) (mm)	Tilpassingsform
Ø 6,35 (Ø 0,25")	18~20 (180~200 kgf.cm)	8,4~8,7 (0,33~0,34")	
Ø 9,52 (Ø 0,375")	32~39(320~390kgf.cm)	13,2~13,5 (0,52~0,53")	
Ø 12,7 (Ø 0,5")	49~59(490~590kgf.cm)	16,2~16,5 (0,64~0,65")	
Ø 16 (Ø 0,63")	57~71(570~710kgf.cm)	19,2~19,7 (0,76~0,78")	
Ø 19 (Ø 0,75")	67~101(670~1010kgf.cm)	23,2~23,7 (0,91~0,93")	

⊘ IKKE BRUK OVERDREVEN DREIEMOMENT

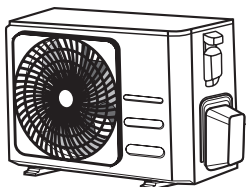
Overdreven kraft kan bryte mutteren eller skade kuldemedium rør. Du må ikke overskride kravene til dreiemoment som vises i tabellen ovenfor.

Instruksjoner for tilkobling av rør til Utendørsenhet

1. Skru av trekket fra den pakke de ventilene på siden av utendørsenheten.
2. Fjern beskyttelsesdekslene fra endene av ventilene.
3. Juster blusset pipe enden med hver ventil, og stram fakkemutteren så tett som mulig for hånd.
4. Ved hjelp av skiftenøkkel tar man tak i ventilhuset. Ikke ta tak i mutteren som tetter serviceventilen.
5. Mens du sitter godt i selve ventilen, bruk en momentnøkkel til å stramme flamme mutteren i henhold til de korrekte dreiemoment verdiene.
6. Løsne fakkemutteren litt, og stram deretter igjen.
7. Gjenta trinn 3 til 6 for det gjenværende røret.

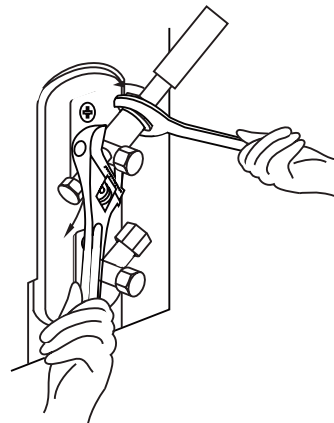
⚠ BRUK SKIFTENØKKELE TIL Å GRIPE HOVEDDELEN AV VENTILEN

Dreiemoment fra stramming av flamme mutteren kan feste andre deler av ventilen.



Ventil deksel

5. Mens du sitter godt i selve ventilen, bruk en momentnøkkel til å stramme flamme mutteren i henhold til de korrekte dreiemoment verdiene.



Air evakuering

Forberedelser og forsiktighetsregler

Luft og fremmedlegemer i kuldemediumkretsen kan forårsake unormal økning i trykket, noe som kan skade klimaanlegget, redusere effektiviteten og forårsake skade. Bruk en vakuumpumpe og manifold gauge å evakuere kuldemedium krets, fjerne eventuelle ikke-kondenserende gass og fuktighet fra systemet.

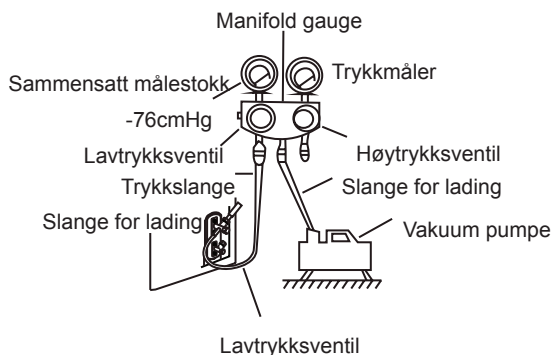
Evakuering bør utføres ved første installasjon og når enheten er flyttet.

FØR DU UTFØRER EVAKUERING

- Kontroller at binde rørene mellom innendørs- og utendørs enhetene er riktig tilkoblet.
- Kontroller at alle ledninger er riktig tilkoblet.

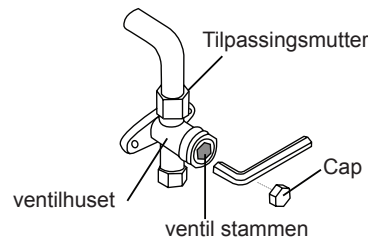
Evakuerings instruksjoner

1. Koble lade slangen på den manifold måleren til service porten på lavtrykks ventilen til utendørsanlegget.
2. Koble en annen lade slange fra den manifold måleren til vakuumpumpen.
3. Åpne lavtrykks siden av manifold måleren. Hold høytrykks siden lukket.
4. Slå på vakuumpumpen for å evakuere systemet.
5. Kjør vakuomet i minst 15 minutter, eller til det viser sammenslåtte meter -76cmHg (-10^5 Pa).



6. Lukk lavtrykks siden av den manifold måleren, og slå av vakuumpumpen.
7. Vente på 5 minuttene, så sjekk det der er blitt nei endre inne system trykk.

8. Hvis det er en endring i systemtrykket, se delen gasslekkasje sjekk for informasjon om hvordan du sjekker for lekkasjer. Hvis det ikke er noen endring i systemtrykket, skru av lokket fra den pakkede ventilen (høytrykksventil).
9. Sett inn Sekskantet skiftenøkkel i den pakkede ventilen (høytrykksventil) og åpne ventilen ved å dreie skrunøkkelen i en 1/4-sving mot urviseren. Lytt etter gass for å gå ut av systemet, og lukk deretter ventilen etter 5 sekunder.
10. Se trykkmåleren i ett minutt for å forsikre deg om at det ikke er noen endring i trykket. Trykkmåleren bør lese noe høyere enn atmosfærisk trykk.
11. Fjern lade slangen fra service porten.



12. Ved hjelp av Sekskantet nøkkel, åpne både høytrykks- og lavtrykks ventilene helt.
13. Stram ventildekslene på alle tre ventilene (service port, høyt trykk, lavt trykk) for hånd. Du kan stramme den ytterligere ved hjelp av en momentnøkkel om nødvendig.

! ÅPNE VENTIL STAMMER FORSIKTIG

Når åpningen av ventilen stammer, vrir du den sekskantede skiftenøkkelen til den slår mot proppen. Ikke prøv å tvinge ventilen til å åpne ytterligere.

Merknad om å legge til kuldemedium

Noen systemer krever ekstra ladning, avhengig av rørlengder. Standard rørlengde varierer i henhold til lokale bestemmelser. I Nord-Amerika er for eksempel standard rørlengde 7,5 m (25 '). I andre områder er standard rørlengden 5m (16 '). Kjølemediet skal lades fra service porten på lavtrykks ventilen på utendørsanlegget. Den ekstra kjølemiddel som skal lades kan beregnes ved hjelp av følgende formel:

EKSTRA KULDEMEDIUM PER RØRLENGDE

Binde Rørlengde (m)	Metode for luft tømning	Ekstra kjølemiddel	
≤ Standard rørlengde	Vakuumpumpe	N/A	
> Standard rørlengde	Vakuumpumpe	Flytende side: Ø 6,35 (ø 0.25 ") R32: (Rørlengde - standard lengde) x 12g / m (Pipe lengde - standard lengde) x 0.13 oZ/ft R290: (Rørlengde - standard lengde) x 10g / m (Rørlengde - standard lengde) x 0,10oZ / ft R410A: (Rørlengde - standard lengde) x 15g / m (Rørlengde - standard lengde) x 0,16oZ / ft R22: (Rørlengde - standard lengde) x 20g / m (Rørlengde - standard lengde) x 0,21oZ / ft	Flytende side: Ø 9.52 (ø 0.375") R32: (Rørlengde - standard lengde) x 24g / m (Rørlengde - standard lengde) x 0,26oZ / ft R290: (Rørlengde - standard lengde) x 18g / m (Rørlengde - standard lengde) x 0,19 oz / fot R410A: (Rørlengde - standard lengde) x 30g / m (Rørlengde - standard lengde) x 0,32oZ / ft R22: (Rørlengde - standard lengde) x 40g / m (Rørlengde - standard lengde) x 0,42oZ / ft

For R290 kjølemiddel enhet, den totale mengden av kuldemedium som skal lades er ikke mer enn: 387g(<=9000Btu/h), 447g(>9000Btu/h and <=12000Btu/h), 547g(>12000Btu/h and <=18000Btu/h), 632g(>18000Btu/h and <=24000Btu/h).



FORSIKTIG IKKE bland kjølemiddeltypen.

Elektrisk og gasslekkasje sjekker

Før test kjøring

Utfør bare testkjøring etter at du har fullført følgende trinn:

- **Kontroll for elektriske sikkerhet** – Bekreft at enhetens elektriske system er trygt og fungerer som det skal
- **Kontroll for gasslekkasje** – Kontroller alle fakkelmutterkoblinger og bekreft at systemet ikke lekker
- Kontroller at ventilene for gass og væske (høy og lavtrykk) er helt åpne

Elektriske sikkerhetskontroller

Etter installasjonen må du bekrefte at alle elektriske ledninger er installert i henhold til lokale og nasjonale forskrifter, og i henhold til installeringshåndboken.

FØR TEST KJØRING

Sjekk jording arbeid

Mål jording motstand ved visuell deteksjon og med jording motstand tester. Jordingsmotstanden må være mindre enn 0,1 Ω .

Merk: Dette er kanskje ikke nødvendig for enkelte steder i Nord-Amerika.

UNDER TEST KJØRING

Sjekk for elektrisk lekkasje

Under **test kjøringen**, bruk en electroprobe og multimeter for å utføre en omfattende elektrisk lekkasje test.

Hvis det oppdages elektrisk lekkasje, slå av enheten umiddelbart og ring en autorisert elektriker for å finne og løse årsaken til lekkasjen.

Merk: Dette er kanskje ikke nødvendig for enkelte steder i Nord-Amerika.

⚠ ADVARSEL-FARE FOR ELEKTRISK STØT

ALLE LEDNINGER MÅ VÆRE I SAMSVAR MED LOKALE OG NASJONALE ELEKTRISITETSFORSKRIFTER, OG MÅ INSTALLERES AV EN AUTORISERT ELEKTRIKER.

Gasslekkasje sjekker

Det er to forskjellige metoder for å se etter gasslekkasjer.

Såpe og vann metode

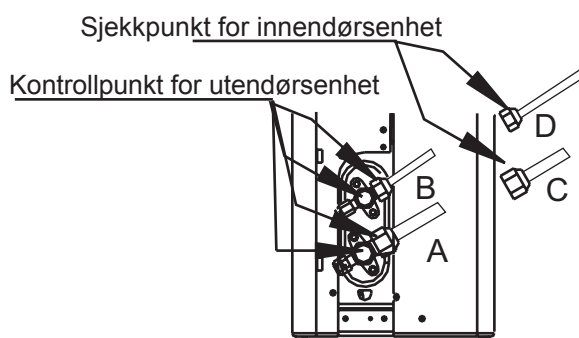
Bruk en myk børste, Påfør såpevann eller flytende vaskemiddel på alle rør tilkoblingspunkter på innendørsanlegget og utendørsenheten. Tilstedeværelsen av bobler indikerer en lekkasje.

Metode for lekkasje detektor

Hvis du bruker lekkasje detektor, se enhetens bruksanvisning for riktige bruksinstruksjoner.

ETTER UTFØRING AV GASSLEKKASJE SJEKKER

Etter å ha bekreftet at alle rør tilkoblingspunktene ikke lekker, må du skifte ut ventildekselet på utsiden heten.



- A: Lavtrykks stengeventil
- B: Høytrykks stengeventil
- C & D: Innendørsenhet bluss nøtter

Test kjøring

Instruksjoner for test kjøring

Du bør utføre **test kjøringen** i minst 30 minutter.

1. Koble strøm til enheten.
2. Trykk på **PÅ/AV**-knappen på fjernkontrollen for å slå den på.
3. Trykk på knappen **MODE** for å bla gjennom følgende funksjoner, én om gangen:
 - COOL – Velg lavest mulig temperatur
 - VARME – Velg høyest mulig temperatur
4. La hver funksjon kjøre i 5 minutter, og utfør følgende kontroller:

Liste over kontrollpunkter som skal utføres	BESTÅTT/IKKE BESTÅTT	
Ingen elektrisk lekkasje		
Enheden er skikkelig jordet		
Alle elektriske terminaler er godt dekket		
Innendørs og utendørs enheter er solid installert		
Alle rør tilkoblingspunkter lekker ikke	Utendørs (2):	Innendørs (2):
Vann avløp riktig fra avløpsslangen		
Alle rørene er skikkelig isolert		
Enheden utfører COOL-funksjonen på riktig måte		
Enheden utfører HEAT-funksjonen riktig		
Innendørsenhet lamellene rotere riktig		
Innendørsenhet reagerer på fjernkontrollen		

DOBBELTSJEKK RØRTILKOBLINGER

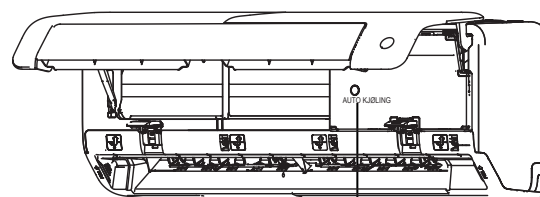
Under drift vil trykket i kjølemediekretsen øke. Dette kan avdekke lekkasjer som ikke var til stede under den første lekkasje sjekken. Ta tid under test kjøringen for å dobbeltsjekke at alle tilkoblingspunkter for kjølevæske rør ikke har lekkasjer. Se avsnittet **gasslekkasje** sjekk for instruksjoner.

5. Når test kjøringen er fullført, og du bekrefter at alle kontrollene i listen over kontroller som skal utføres, er bestått, gjør du følgende:
 - a. Bruk fjernkontrollen til å sette enheten tilbake til normal driftstemperatur.
 - b. Bruk isolasjonstape og pakk inn rørboblingene for kjølemiddel som har lagt avdekket under installasjonsprosessen for innendørsenheten.

HVIS OMGIVELSESTEMPERATUREN ER UNDER 17 °C (62 GRADER)

Du kan ikke bruke fjernkontrollen til å slå på funksjonen COOL når omgivelsestemperaturen er under 16°C. I dette tilfellet kan du bruke **MANUELL KONTROLL**-knappen for å teste **COOL**-funksjonen.

1. Knappen for **MANUELL KONTROLL** er plassert på høyre sidepanel på enheten.
2. Trykk på knappen 2 ganger for å velge funksjonen NEDKJØLING.
3. Utfør test kjøring som normalt.



Manuell kontrollknapp

Pakke ned og opp enheten

Instruksjoner for pakking og utpakking av enheten:

Utpakking:

Innendørsenhet:

1. Klipp forseglingsstapen på kartongen til venstre, i midten og til høyre ved hjelp av en kniv.
2. Bruk skrustikken til å ta ut forseglingsboltene på toppen av kartongen.
3. Åpne kartongen.
4. Ta ut den midtre støtteplaten hvis den er inkludert.
5. Ta ut tilbehørspakken, og ta ut tilkoblingsledningen hvis den følger med.
6. Løft maskinen ut av esken og plasser den på flatt underlag.
7. Fjern venstre og høyre emballasjeskum, eller øvre og nedre emballasjeskum, og fjern emballasjeposen.

Utendørs enhet

1. Kutt pakkestroppen.
2. Ta enheten ut av esken.
3. Fjern skummet fra enheten.
4. Fjern emballasjeposen fra enheten.

Pakking:

Innendørsenhet:

1. Legg innendørsenheden i pakkeposen.
2. Fest venstre og høyre emballasjeskum, eller øvre og nedre emballasjeskum til enheten.
3. Sett enheten inn i kartongen, og legg deretter tilbehørspakken inn.
4. Lukk kartongen og forsegl den med tape.
5. Bruk pakkestropp om nødvendig.

Utendørsenhet:

1. Legg utendørsenheden i pakkeposen.
2. Legg skummet i bunnen av esken.
3. Legg enheten inn i esken, og legg deretter det øvre emballasjeskummet over enheten.
4. Lukk kartongen og forsegl den med tape.
5. Bruk pakkestropp om nødvendig.



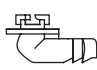
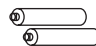


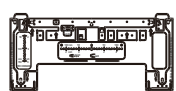




MERKNAD: Ta vare på all emballasje, da du kan trenge det i fremtiden.

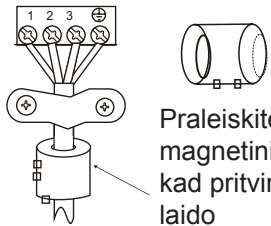
Įrengimo instrukcija

Priedai	17
Įrengimo santrauka – vidaus įrenginys	18
Įrenginio dalys	19
Vidinio įrenginio montavimas	20
1. Įrengimo vietos parinkimas	20
2. Pritvirtinkite montavimo plokštę prie sienos.....	20
3. Gręžkite sieninę skylę jungiamajam vamzdynui	21
4. Paruoškite šaldymo skysčio vamzdynus	22
5. Nutekėjimo žarnos prijungimas	24
6. Prijunkite signalo ir maitinimo kabelius.....	25
7. Vamzdynų ir kabelių apvyniojimas.....	26
8. Sumontuokite vidinį įrenginį	26
Lauko įrenginio montavimas	27
1. Įrengimo vietos parinkimas.....	27
2. Nutekėjimo jungties įrengimas.....	28
3. Lauko įrenginio pritvirtinimas.....	28
4. Prijunkite signalo ir maitinimo kabelius.....	30
Šaltnešio vamzdžių jungtis	31
A. Pastaba dėl vamzdžio ilgio.....	31
B. Prijungimo instrukcijos - šaldymo skysčio vamzdynai.....	31
1. Vamzdžio pjovimas	31
2. Griovelių pašalinimas.....	32
3. Vamzdžių galų užsandarinimas	32
4. Vamzdžių prijungimas	32
Oro evakuacija	34
1. Evakuacijos instrukcijos.....	34
2. Pastaba dėl šaltnešio įpylimo	35
Elektros ir dujų nuotėkio patikrinimai	36
Bandymas paleisti	37
Įrenginio pakavimas ir išpakavimas	38

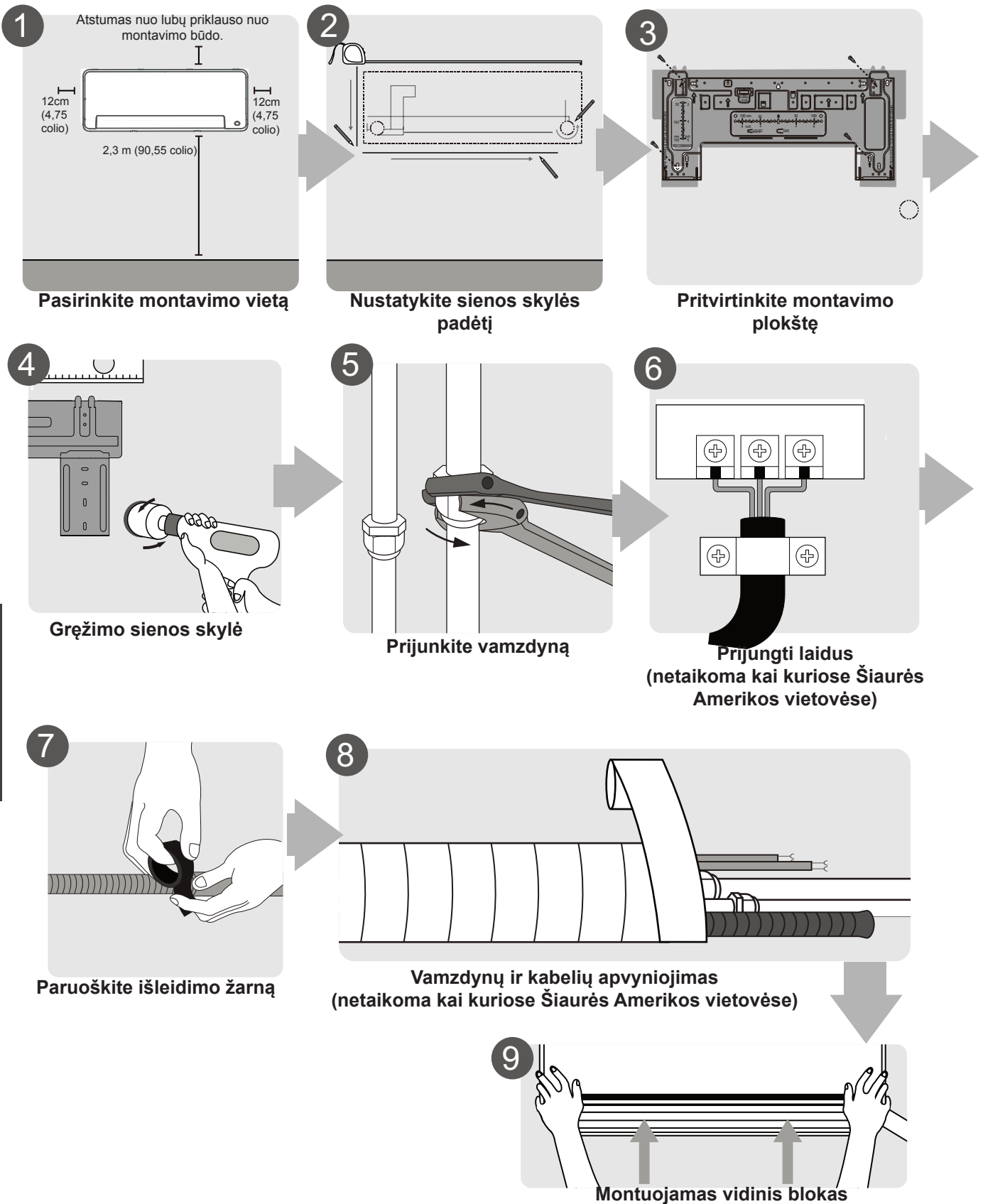
Priedai

Oro kondicionavimo sistema tiekama su šiais priedais. Norėdami įdiegti oro kondicionierių, naudokite visas montavimo dalis ir priedus. Dėl netinkamo įrengimo gali nutekėti vanduo, kilti elektros smūgis ir kilti gaisras arba sugesti įranga. Prekės, neįeinančios į oro kondicionierių, turi būti perkamos atskirai.

Priedų pavadinimas	Kiekis (vnt)	Figūra	Priedų pavadinimas	Kiekis (vnt)	Figūra
Rankinis valdymas	2-3		Nuotolinis pultas	1	
Nutekėjimo jungtis (vėsinimo ir šildymo modeliams)	1		Baterija	2	
Antspaudas (vėsinimo ir šildymo modeliams)	1		Nuotolinio valdiklio laikiklis (pasirenkamas)	1	
Montavimo plokštė	1		Tvirtinimo varžtas nuotolinio valdymo pulto laikikliui (pasirinktinai)	2	
Inkaras	5~8 (priklausomai nuo modelio)		Mažasis filtras (Privalo įgaliotas specialistas montuoti mašiną pagrindinio oro filtro gale) montuodamas mašiną.	1~2 (priklausomai nuo modelio)	
Montavimo plokštės tvirtinimo varžtas	5~8 (priklausomai nuo modelio)				

Pavadinimas	Figūra	Kiekis (PC)	
Vamzdyno sistemos prijungimas	Skysčio pusė	Φ6,35(1/4 colio)	Dalys, kurias turite nusipirkti atskirai. Dėl tinkamo įsigyto vieneto vamzdžio dydžio pasitarkite su pardavėju.
		Φ9,52 (3/8 colio)	
	Dujų pusė	Φ9,52 (3/8 colio)	
		Φ12,7 (1/2 colio)	
		Φ 16 (5/8 colio)	
		Φ 19 (3/4 colio)	
Magnetinis žiedas ir diržas (jei tiekama, žiūrėkite laidų schemą, kad ją sumontuotumėte ant jungiamojo kabelio.)	 <p>Praleiskite diržą per magnetinio žiedo angą, kad pritvirtintumėte prie laido</p>	Skiriasi pagal modelį	

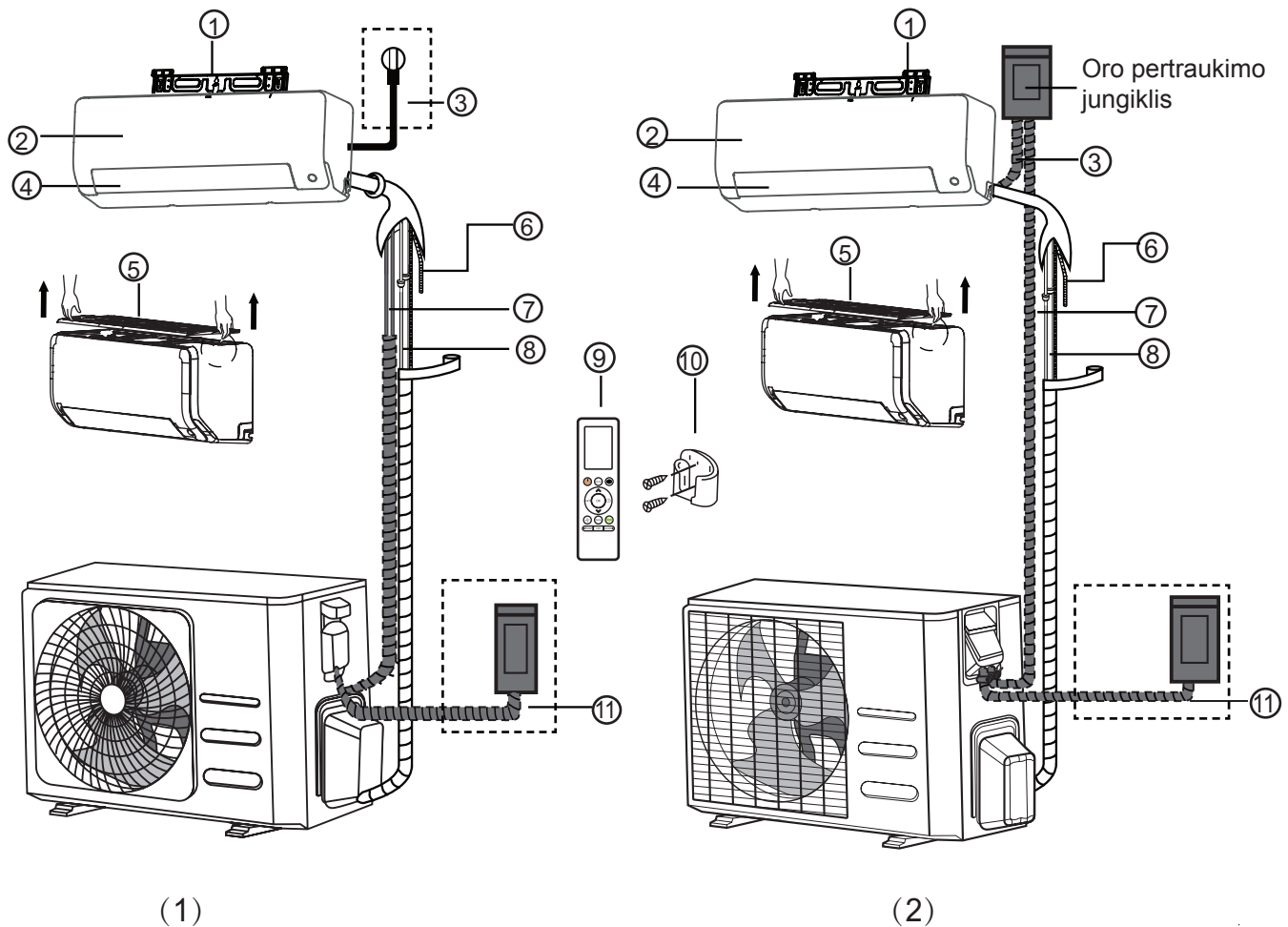
Montavimo santrauka - Vidinis blokas



Montavimo
santrauka - Vidinis
blokas

Vienetų dalys

PASTABA: Montavimas turi būti atliekamas pagal vietinių ir nacionalinių standartų reikalavimus. Įdiegimas skirtingose vietose gali būti šiek tiek skirtingas.



- | | | |
|--|-------------------------------|---|
| ① Sieninė montavimo plokštė | ⑤ Oro filtras (ištraukite jį) | ⑨ Nuotolinio valdymo pultas |
| ② Priekinis skydelis | ⑥ Drenažo vamzdis | ⑩ Nuotolinio valdymo pulto laikiklis (kai kurie įrenginiai) |
| ③ Maitinimo kabelis (kai kurie įrenginiai) | ⑦ Signalo kabelis | ⑪ Lauko įrenginio maitinimo kabelis (kai kurie įrenginiai) |
| ④ Žaliuzė | ⑧ Šaldymo skysčio vamzdynai | |

ILIUSTRACIJŲ PASTABOS

Šioje instrukcijoje pateiktos iliustracijos yra aiškinamos. Tikroji jūsų vidinio bloko forma gali būti šiek tiek kitokia. Tikra forma turi viršenybę.

Vidinio bloko įrengimas

Montavimo instrukcijos - Vidinis blokas

PRIEŠ MONTAVIMĄ:

Prieš montuodami vidinį bloką, patikrinkite etiketę ant gaminio dėžutės ir įsitikinkite, kad vidinio įrenginio modelio numeris sutampa su lauko įrenginio modelio numeriu.

1 žingsnis: Pasirinkite diegimo vietą

Prieš įrengdami patalpų bloką, turite pasirinkti tinkamą vietą. Šie standartai padės jums pasirinkti tinkamą įrenginio vietą.

Tinkamos montavimo vietos atitinka šiuos standartus:

- Gera oro cirkuliacija
- Patogus kanalizacija
- Triukšmas iš įrenginio netrukdyt kitiems žmonėms
- Tvirta ir tvirta - vieta nebus vibruota
- Pakankamai stiprus atlaikyti vieneto svorį
- Mažiausiai vieno metro atstumu nuo visų kitų elektros prietaisų (pvz., Televizoriaus, radijo, kompiuterio)

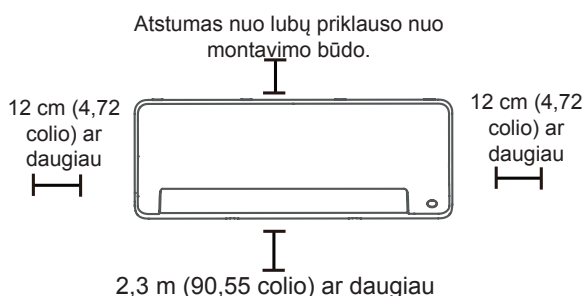
NEMONTUOKITE įrenginio šiose vietose:

- ⊘ Šalia bet kokio šilumos, garų ar degių dujų šaltinio
- ⊘ Šalia degių daiktų, tokių kaip užuolaidos ar drabužiai
- ⊘ Šalia bet kokios kliūtis, kuri gali blokuoti oro cirkuliaciją
- ⊘ Prie durų
- ⊘ Vietoje, kur yra tiesioginiai saulės spinduliai

PASTABA APIE SKYLĘ SIENOJE:

Jei nėra fiksuoto šaldymo skysčio vamzdyno: Rinkdamiesi vietą, atminkite, kad jūs turite palikti pakankamai vietos sienos angai (žr. „Gręžkite sienos skylę jungiamojo vamzdyno žingsniui“) signalo kabeliui ir šaltnešio vamzdynams, jungiantiems vidaus ir lauko blokus. Numatytoji visų vamzdynų padėtis yra vidinė bloko dešinė pusė (žiūrint į bloką). Tačiau įrenginys gali montuoti vamzdynus tiek į kairę, tiek į dešinę.

Norėdami užtikrinti tinkamą atstumą nuo sienų ir lubų, žiūrėkite šią schemą:



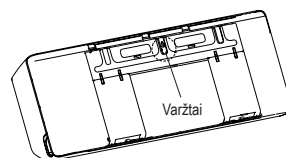
PASTABA:

- **Jei nereikia galinio laikiklio įrenginiui paremti:**
Prieš montuodami vidinį įrenginį ant sienos, užbaikite vamzdžių ir kabelių jungtis. Jei montavimo aukštis ribotas, galima įrengti 5 cm nuo lubų, tačiau dėl to gali sumažėti gaminio našumas. Kad pakaktų vietos viršutiniam oro filtrui įrengti ir nuimti, laikykite jį bent 10 cm ar didesniu atstumu nuo lubų.
- **Reikia galinio laikiklio įrenginiui paremti:**
Jei vamzdis ir kabelis jungiami atidarius priekinį skydelį, mažiausias atstumas nuo lubų yra ne mažesnis kaip 22 cm, jei vamzdis ir kabelis jungiami be priekinio skydelio (jį nuimkite), mažiausias atstumas nuo lubų yra ne mažesnis kaip 11 cm.

2 žingsnis: Pritvirtinkite montavimo plokštę prie sienos

Montavimo plokštė yra prietaisas, ant kurio montuosite vidaus įrenginį.

- Atsukite varžtą, kuris pritvirtina tvirtinimo plokštę prie vidinio bloko galo.



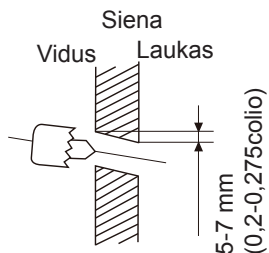
- Prijunkite pritvirtinimo plokštę prie sienos pritvirtintais varžtais. Įsitikinkite, kad tvirtinimo plokštė yra lygi prie sienos.

PASTABA BETONINĖMS AR PLYTINĖMS SIENOMS:

Jei siena pagaminta iš plytų, betono ar panašios medžiagos, sienoje gręžkite 5 mm skersmens (0,2 colio skersmens) skylės ir įdėkite pridedamus įvorės inkarus. Tada pritvirtinkite tvirtinimo plokštę prie sienos, priverždami varžtus tiesiai į spaustuko inkarus.

3 žingsnis: Gręžkite sieninę skylę jungiamajam vamzdynui

1. Remdamiesi tvirtinimo plokštės padėtimi, nustatykite sienos angos vietą. Žr. „Montavimo plokštės matmenys“.
2. Išgręžkite skylę sienoje naudodami 65mm (2,5 colio) arba 90mm (3,54 colio) (priklausomai nuo modelio) gražto šerdį. Įsitikinkite, kad skylė išgręžta nedideliu kampu žemyn, kad angos išorinis galas būtų maždaug 5–7 mm (0,2–0,275 colio) žemesnis už vidinį. Tai užtikrins tinkamą vandens nutekėjimą.



PASTABA: Kai dujinis šoninis jungiamasis vamzdis yra $\Phi 16$ mm (5/8 colių) ar didesnis, sienos anga turėtų būti 90 mm (3,54 colio).

3. Įdėkite apsauginę sienos rankogalį į angą. Tai apsaugo skylės kraštus ir padės ją užsandarinti, kai baigsite diegimo procesą.

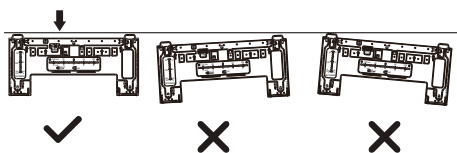
⚠️ ATSARGIAI

Gręžiant sienos angą, venkite laidų, vandentiekio ir kitų jautrių komponentų.

MONTAVIMO PLOKŠTĖS MATMENYS

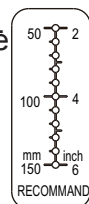
Skirtingi modeliai turi skirtingas tvirtinimo plokšteles. Kad būtų patogiau montuoti, montavimo plokštelėje yra burbulinis gulsčiukas, išraižyti matmenys. Sumontuokite plokštę ir išgręžkite skylę sienoje pagal montavimo plokštės informaciją. Žr. toliau pateiktus skaičius.

Teisinga montavimo plokštės orientacija

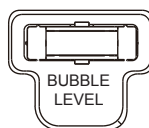


vienetas: mm (colis)

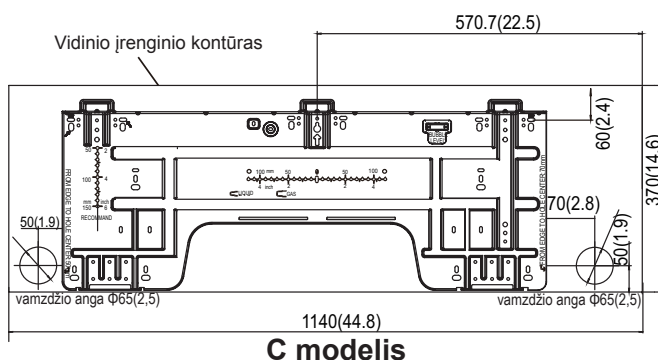
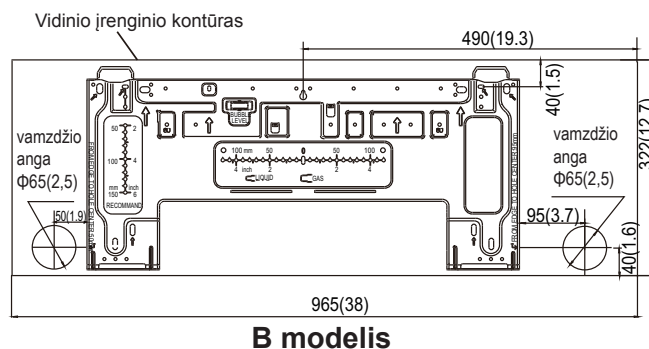
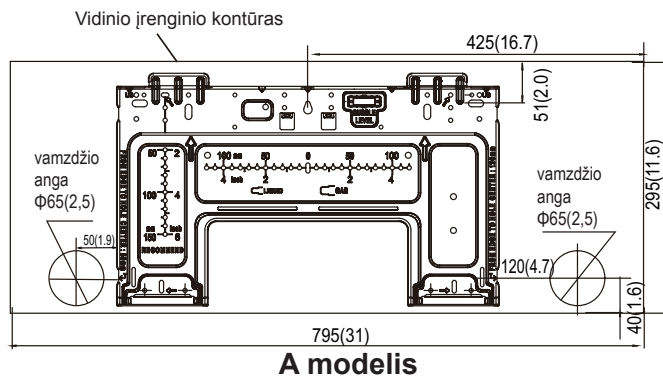
Horizontalios krypties liniuotė



Vertikalios krypties liniuotė



ATSARGIAI: Ant montavimo plokštės esančio burbulinio lygio negalima nuimti. Jei jis sugedęs, būtinai išvalykite ištekėjusį skystį.



Vidinio bloko įrengimas

4 žingsnis: Paruoškite šaltnešio vamzdynus

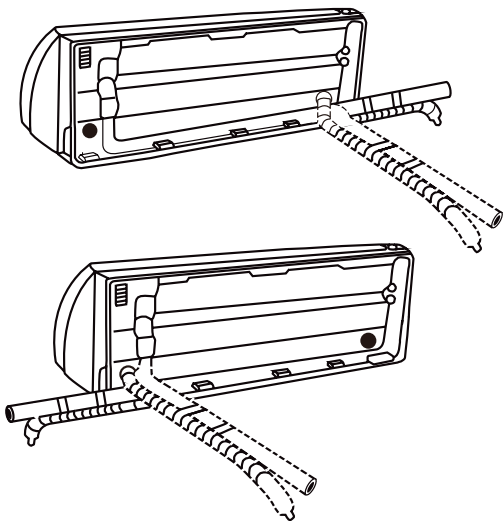
Šaltnešio vamzdynas yra izoliacinės įvorės, pritvirtintos prie įrenginio užpakalinės dalies, viduje. Prieš eidami pro sienos angą, turite paruošti vamzdyną. Išsamios instrukcijos apie vamzdžių išplatinimo ir atplėšimo momento reikalavimus, techniką ir t. t. pateikiamos šio vadovo skyriuje „Šaldymo skysčio vamzdynų prijungimas“.

PASTABA APIE VAMZDYNŲ KAMPĄ

Šaldymo skysčio vamzdynas iš vidinio bloko gali išeiti keturiais skirtingais kampais:

- Kairioji pusė
- Kairės pusės galinė dalis
- Dešinioji pusė
- Dešinės pusės galinė dalis

Išsamesnės informacijos rasite toliau pateiktuose paveikslėliuose.



PASTABA DĖL VAMZDYNŲ JUNGIMO

- Kai kuriose JAV vietovėse kabeliui prijungti turi būti naudojamas kanalinis vamzdis. Norint užtikrinti, kad būtų pakankamai vietos vamzdžiams, o įrenginys po montavimo stovėtų prie sienos, rekomenduojama nutekėjimo žarną pritvirtinti dešinėje pusėje (kai žiūrite į įrenginio galą).
- Pasirinkę kairės arba dešinės pusės vamzdyną, įsitinkite, kad vamzdžiai išeina horizontaliai, kad neturėtų įtakos apatinio skydelio montavimui.

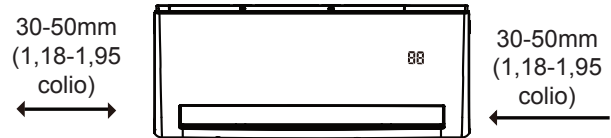
⚠️ ATSARGIAI

Būkite ypač atsargūs ir nesugadinkite ir nepažeiskite vamzdynų, lenkdami juos toliau nuo įrenginio. Bet kokie vamzdyno įdubimai turės įtakos įrenginio našumui.

Jeigu šaltnešio vamzdynai jau yra įmontuoti į sieną, atlikite šiuos veiksmus:

1 žingsnis: užkabinkite vidinį įrenginį ant montavimo plokštės:

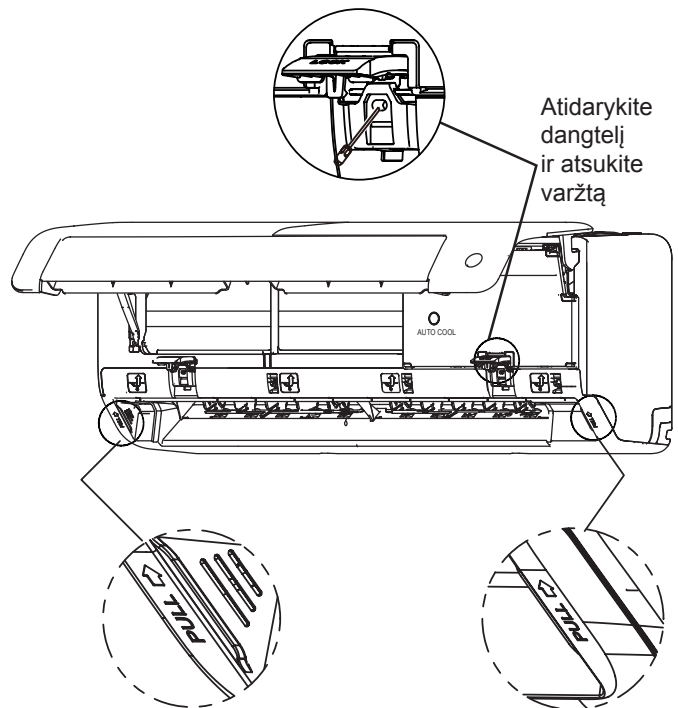
1. Atminkite, kad tvirtinimo plokštės kabliukai yra mažesni nei skylės įrenginio gale. Jei pastebėsite, kad neturite pakankamai vietos prijungti įterptųjų vamzdžių į vidinį bloką, įrenginį galima nustatyti į kairę arba dešinę maždaug 30-50 mm (1,18–1,95 colio), atsižvelgiant į modelį.



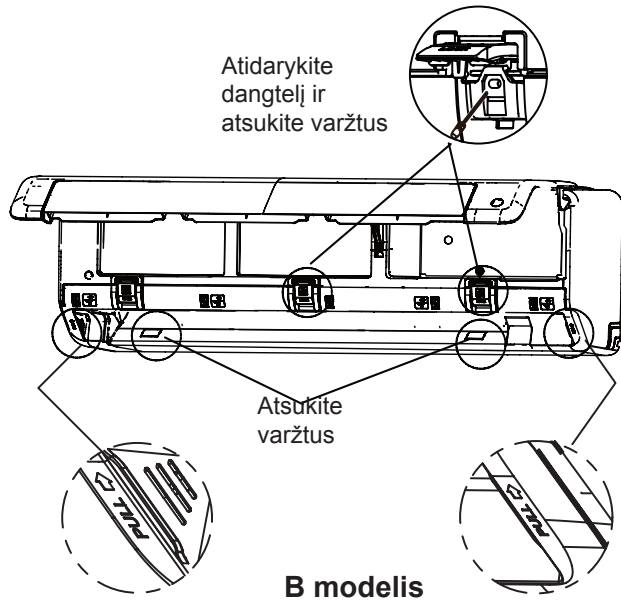
Pereikite į kairę arba į dešinę

2 žingsnis: Paruoškite šaltnešio vamzdynus

1. Atidarykite ir užfiksuokite skydelio padėtį, tada atidarykite dviejų užraktų bloką dangtelius, atsukite toliau pateiktame paveikslėlyje parodytą varžtą, tada laikykite abi apatinio skydelio puses vietoje, pažymėtoje "PULL", patraukite jį į viršų, kad atsilaisvintų sagtys, tada nuimkite apatinį skydelį.

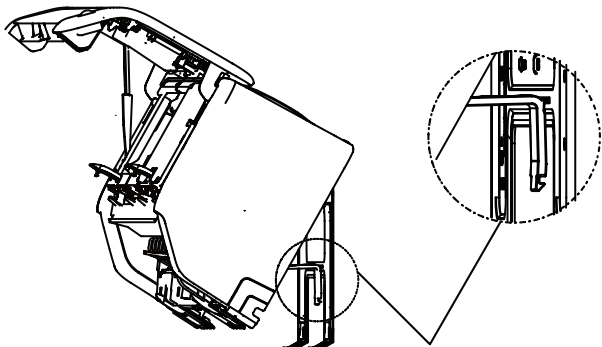


A modelis



B modelis

2. Įrenginio gale esančiu laikikliu paremkite įrenginį, kad užtektų vietos prijungti šaldymo skysčio vamzdyną, signalinį kabelį ir išleidimo žarną.



Naudokite laikiklį, esantį įrenginio gale, priešais montavimo plokštę, kad paremtumėte įrenginį.

3 žingsnis. Prijunkite išleidimo žarną ir šaldymo skystį vamzdynus (instrukcijos pateiktos šio vadovo skyriuje „Šaldymo skysčio vamzdynų prijungimas“).

4 žingsnis. Laikykite vamzdžio jungties vietą, veikiamą atlikti nuotėkio testą (žr. Šios instrukcijos skyrių Elektros ir nuotėkio tikrinimai).

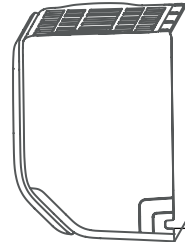
5 žingsnis. Po nuotėkio bandymo sujungimo tašką apvyniokite izoliacine juosta.

6 žingsnis. Nuimkite laikiklį arba pleištą, kuris remiasi izoliacine juosta.

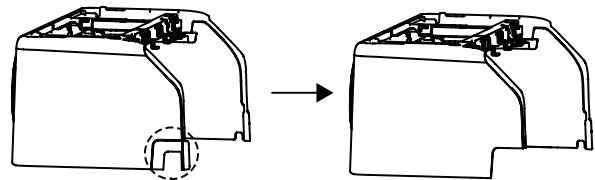
7 žingsnis. Paspausdami tolygų slėgį, nuspauskite apatinę įrenginio pusę. Stumkite žemyn, kol įrenginys užsifikuos ant kabliukų palei tvirtinimo plokštės dugną.

Jei sienoje nėra šaldymo skysčio vamzdžio, atlikite šiuos veiksmus:

1. Remdamiesi sienos angos padėtimi montavimo plokštės atžvilgiu, pasirinkite pusę, iš kurios vamzdynai išeis iš įrenginio.
2. Jei sienos anga yra už įrenginio, laikykite išmuštą skydelį savo vietoje. Jei sieninė anga yra vidinio bloko šone, nuimkite plastikinį išmušamąjį skydelį nuo tos bloko pusės. (Žr. toliau pateiktą paveikslėlį). Tai sukurs plyšį, per kurį jūsų vamzdynai gali išeiti iš įrenginio. Jei plastikinį skydelį per sunku nuimti rankomis, naudokite adatines nosių replės.



Ištraukiamoji plokštė (pjaunama atsižvelgiant į faktinį reikiamą dydį)



Jei reikia išpjauti didelio dydžio plastikinę plokštę, išpjaukite, kaip parodyta pirmiau.

3. Žirkklėmis nukirpkite izoliacinės įvorės ilgį, kad atsidengtų maždaug 40 mm (1,57 col.) šaldymo skysčio vamzdžio. Taip siekiama dviejų tikslų:
 - Siekiant palengvinti šaldymo skysčio vamzdynų prijungimo procesą.
 - Kad būtų lengviau atlikti dujų nuotėkio patikrą ir patikrinti, ar nėra įlenkimų
4. Įrenginio gale esančiu laikikliu paremkite įrenginį, kad užtektų vietos prijungti šaldymo skysčio vamzdyną, signalinį kabelį ir išleidimo žarną.
5. Vidinio bloko šaldymo skysčio vamzdyną prijunkite prie jungiamojo vamzdžio, kuris sujungs vidinį ir išorinį blokus. Išsamias instrukcijas skaitykite šio vadovo skyriuje „Šaldymo skysčio vamzdynų sujungimas“.
6. Pagal sieninės angos padėtį montavimo plokštės atžvilgiu nustatykite reikiamą vamzdžio kampą.
7. Suimkite šaldymo skysčio vamzdyną ties lenkimo pagrindu.
8. Lėtai, tolygiai spausdami lenkite vamzdį link angos. Atliekant šį procesą vamzdynų **neįlenkite** ir nepažeiskite.

5 žingsnis: Prijunkite išleidimo žarną

Pagal nutylėjimą išleidimo žarna pritvirtinta kairėje įrenginio pusėje (kai esate nukreipta į įrenginio galinę dalį). Tačiau jį taip pat galima pritvirtinti prie dešinės pusės. Norėdami užtikrinti tinkamą kanalizaciją, pritvirtinkite išleidimo žarną toje pačioje pusėje, iš kurios šaldymo skysčio vamzdynas išeina iš įrenginio.

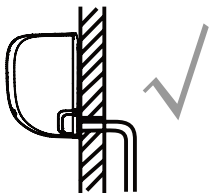
PASTABA: Kai kuriose JAV vietovėse, jei mašinoje sumontuotas laidų skydelis, pasirinkite dešinės pusės drenažą.

- Tvirtai apvyniokite jungties tašką teflono juoste, kad užtikrintumėte gerą sandarumą ir išvengtumėte nuotėkio.
- Nuimkite oro filtrą ir į išleidimo indą įpilkite nedidelį kiekį vandens, kad įsitikintumėte, jog vanduo iš įrenginio išteka sklandžiai.

! PASTABA APIE NEMOKAMŲJŲ ŽARNŲ NUSTATYMĄ

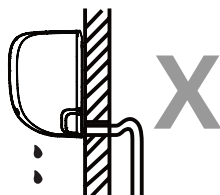
Būtinai išdėstykite išleidimo žarną pagal šiuos paveikslėlius.

- ⊘ **NEGALIMA** perlenkti drenažo žarnos.
- ⊘ **NEGALIMA** sukurti vandens gaudyklės.
- ⊘ **NEDĖKITE** drenažo žarnos galo į vandenį ar indą, kuriame kaupiasi vanduo.



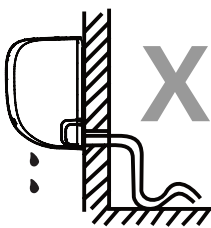
TEISINGAS

Įsitinkinkite, kad išleidimo žarnoje nėra įskilimų ar įdubimų, kad būtų užtikrintas tinkamas kanalizacija.



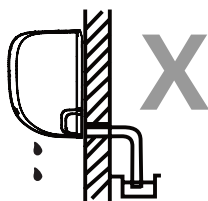
NE TEISINGA

Susitraukimai išleidimo žarnoje sukurs vandens spąstus.



NE TEISINGA

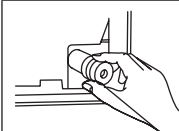
Susitraukimai išleidimo žarnoje sukurs vandens spąstus.



NE TEISINGA

Nedėkite išleidimo žarnos galo į vandenį ar indus, kuriuose kaupiasi vanduo. Tai padės išvengti tinkamo kanalizacijos.

ĮJUNKITE NENAUDOTĄ SEMINARO KORPUSĄ



Norėdami užkirsti kelią nepageidaujamam nuotėkiui, nenaudotą kanalizacijos angą turite užkimšti pateiktu guminiu kaiščiui.

! PRIEŠ VYKDAMI JOKIUS ELEKTROS DARBUS, SKAITYKITE ŠIUS REGLAMENTUS

1. Visi laidai turi atitikti vietinius ir nacionalinius elektros kodeksus, taisykles ir juos turi montuoti licencijuotas elektrikas.
2. Visos elektros jungtys turi būti atliekamos pagal Elektros jungčių schemą, esančią vidaus ir lauko blokų skyduose.
3. Jei kyla rimtų saugos problemų dėl maitinimo šaltinio, nedelsdami nutraukite darbą. Paašškinkite klientui savo argumentus ir atsisakykite įrengti įrenginį, kol saugos problema nebus tinkamai išspręsta.
4. Maitinimo įtampa neturi viršyti 90–110% vardinės įtampos. Nepakankamas maitinimas gali sukelti gedimą, elektros šoką ar gaisrą.
5. Jei maitinimą jungiate prie stacionarių laidų, reikia įrengti viršįtampių apsaugą ir pagrindinį maitinimo jungiklį.
6. Jei prijungiate maitinimą prie fiksuotos laidų, į fiksuotą laidus turi būti įmontuotas jungiklis arba jungiklis, kuris atjungia visus polius ir kurio kontaktinis atstumas yra ne mažesnis kaip 1/8 colių (3 mm). Kvalifikuotas specialistas turi naudoti patvirtintą grandinės pertraukiklį ar jungiklį.
7. Prijunkite įrenginį tik prie atskiros šakos grandinės. Nejunkite kito prietaiso į tą lizdą.
8. Įsitinkinkite, ar tinkamai įžemintas oro kondicionierius.
9. Kiekvienas laidas turi būti tvirtai sujungtas. Dėl laidų laidų terminalas gali perkaisti, dėl ko gali sugesti gaminytis ir kilti gaisras.
10. Neleiskite laidams liesti ar ilsėtis nuo šaltnešio vamzdelių, kompresoriaus ar bet kokių judančių įrenginio dalių.
11. Jei įrenginys turi pagalbinį elektrinį šildytuvą, jis turi būti įrengtas mažiausiai 1 metro (40in) atstumu nuo bet kokių degių medžiagų.
12. Kad išvengtumėte elektros smūgio, niekada nelieskite elektrinių komponentų, kai tik bus išjungtas maitinimas. Išjungę maitinimą, visada palieskite 10 ar daugiau minučių, prieš paliesdami elektrinius komponentus.



! ISPĖJIMAS

PRIEŠ ATLIKDAMI BET KOKIUS ELEKTROS AR LAIDŲ DARBUS, IŠJUNKITE PAGRINDINĘ ELEKTROS ENERGIJĄ PRIE SISTEMOS.

6 žingsnis: Prijunkite signalo ir maitinimo laidus

Signalinis kabelis leidžia susisiekti tarp vidaus ir lauko įrenginių. Prieš ruošdamiesi prijungti, pirmiausia turite pasirinkti tinkamą kabelio dydį.

Kabelių tipai

- **Vidinis maitinimo kabelis** (jei taikoma): HH05VV-F arba H05V2V2-F

- **Lauko maitinimo laidas:** H07RN-F arba H05RN-F

- **Signalo kabelis:** H07RN-F

PASTABA: Šiaurės Amerikoje kabelio tipą pasirinkite pagal vietinius elektros kodus ir taisykles.

Mažiausias galios ir signalų kabelių skerspjūvio plotas (nuoroda) (Netaikoma Šiaurės Amerikoje)

Įtaiso vardinė srovė (A)	Nominalus skerspjūvio plotas (mm ²)
> 3 ir ≤ 6	0,75
> 6 ir ≤ 10	1
> 10 ir ≤ 16	1,5
> 16 ir ≤ 25	2,5
> 25 ir ≤ 32	4
> 32 ir ≤ 40	6

PASIRINKITE TEISĖS KABELIO DYDĮ

Reikalingas maitinimo kabelio, signalo laido, saugiklio ir jungiklio dydis nustatomas pagal maksimalią įrenginio srovę. Didžiausia srovė yra nurodyta ant duomenų lentelės, esančios įrenginio šoniniame skydelyje. Norėdami pasirinkti tinkamą laidą, saugiklį ar jungiklį, žiūrėkite šią duomenų lentelę.

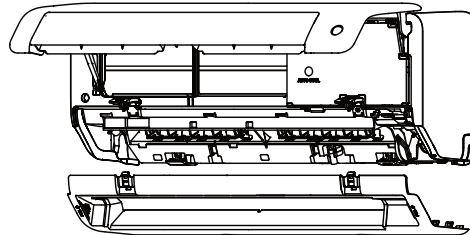
PASTABA: Šiaurės Amerikoje pasirinkite tinkamą kabelio dydį pagal mažiausią grandinės stiprumą, nurodytą įrenginio vardinėje plokštelėje.

1. Atidarykite ir užfiksuokite skydelio padėtį, tada atidarykite dviejų užraktų blokų dangtelius, atsukite varžtą, tada laikykite abi apatinio skydelio puses vietoje, pažymėtoje „PULL“ (ištraukti), patraukite jį į viršų, kad atsilaisvintų sagtys, tada nuimkite apatinį skydelį (žr. 22-23 psl.).
2. Atidarykite laidų dėžutės dangtelį, kad galėtumėte prijungti kabelį.
3. Atsukite laido gnybtą žemiau gnybtų bloko ir padėkite į šoną.
4. Apžiūrėdami įrenginio galinę dalį, nuimkite plastikinį skydelį apatinėje kairėje pusėje.

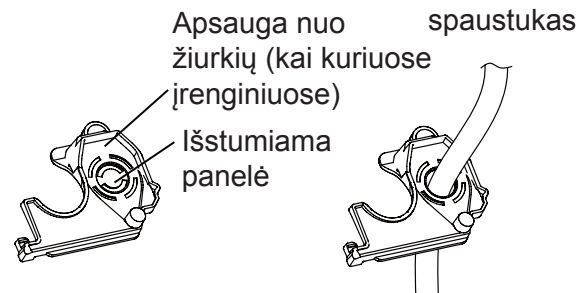
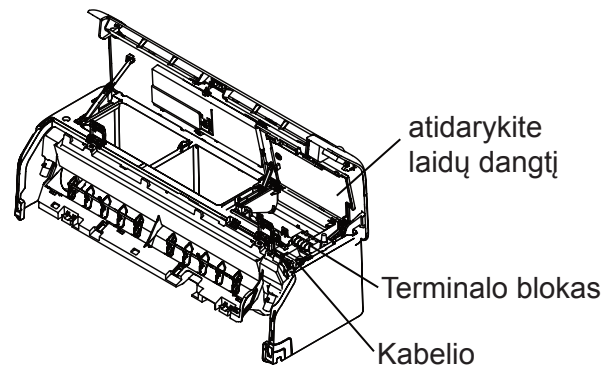
⚠ ĮSPĖJIMAS

VISI LAIDAI TURI BŪTI JUNGIAMI GRIEŽTAI LAIKANTIS VIDINIO ĮRENGINIO PRIEKINIO SKYDELIO GALINĖJE PUSĖJE ESANČIOS LAIDŲ SCHEMOS.

5. Praveskite signalo laidą per šį lizdą, nuo įrenginio užpakalinės dalies į priekį.
6. Priekyje esančio įrenginio, prijunkite laidą pagal vidinio įrenginio laidų schemą, prijunkite u-kilpą ir tvirtai prisukite kiekvieną laidą prie atitinkamo gnybto.



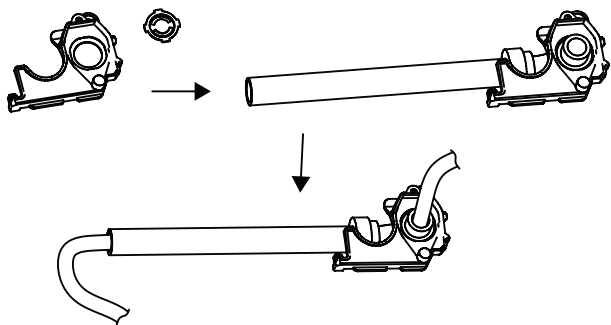
Pirmiausia atidarykite priekinį skydelį, tada nuimkite apatinį skydelį.



PASTABA: Jei kabelis per didelis, nuimkite vidurinį mažą plastikinį skydelį, kad atsirastų plyšys, pro kurį kabelis galėtų išeiti. Jei norite nuimti važiuoklę arba išleidimo žarną, pirmiausia nuimkite žiurkių pertvarą.

Šiaurės Amerikoje

Pirmiausia nuimkite ištraukiamąjį skydelį, kad atsirastų plyšys, pro kurį būtų galima įstatyti vamzdyno vamzdį. Tada praveskite kabelį per vamzdelį ir prijunkite prie vidinio įrenginio.



⚠️ **ATSARGIAI**

NESUMAIŠYKITE PAJUNTŲ IR NEPAJUNGTŲ LAIDŲ

Tai pavojinga ir gali sugadinti oro kondicionavimo įrenginį.

- Patikrinę, ar kiekvienas ryšys yra patikimas, pritvirtinkite signalo laidą prie įrenginio naudodami laido spaustuką. Sandariai užsukite kabelio spaustuką.
- Uždėkite vielos gaubtą priekinėje įrenginio dalyje ir plastikinį skydelį gale.

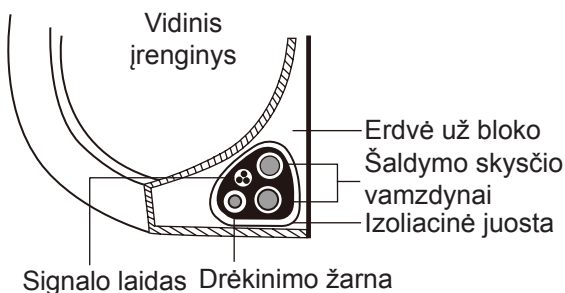
⚠️ **PASTABA DĖL LAIDŲ**

LAI DŲ SUJUNGIMO PROCESAS GALI ŠIEK TIEK SKIRTIS TARP BLOKŲ IR REGIONŲ

7 žingsnis: Įvyniojimas ir kabeliai

Prieš tiesdami vamzdyną, drenažo žarną ir signalinį kabelį per sienoje esančią angą, turite juos sujungti, kad sutaupytumėte vietos, apsaugotumėte ir izoliuotumėte (tai gali būti netaikoma kai kuriose JAV vietovėse).

- Surinkite išleidimo žarną, aušinimo skysčio vamzdžius ir signalo kabelį, kaip parodyta žemiau:



DRĖKINIMO ŽARNA PRIVALO BŪTI DUGNE

Įsitikinkite, kad išleidimo žarna yra pluošto apačioje. Uždėję išleidimo žarną pluošto viršuje, kanalizacija gali perpildyti, o tai gali sukelti gaisrą ar vandenį.

NESUJUNKITE SIGNALO KABELIO SU KITAIŠ

Rinkdami šiuos elementus, nespynkite ir nekeiskite signalo laido su jokia kita laidais.

- Lipnia vinilo juosta pritvirtinkite išleidimo žarną prie aušinimo skysčio vamzdžių apatinės pusės.
- Naudodami izoliacinę juostą, apvyniokite signalinę laidą, šaltnešio vamzdžius ir sandariai išleiskite žarną. Dar kartą patikrinkite, ar visos prekės yra surištos.

NEUŽKIMŠKITE VAMZDŽIŲ GALŲ

Apvyniodami ryšulį, vamzdynų galus laikykite neapvyniotus. Diegimo proceso pabaigoje turite priėti prie jų, kad patikrintumėte, ar nėra nutekėjimų (žr. Šios instrukcijos skyrių Elektriniai ir nuotėkio tikrinimai).

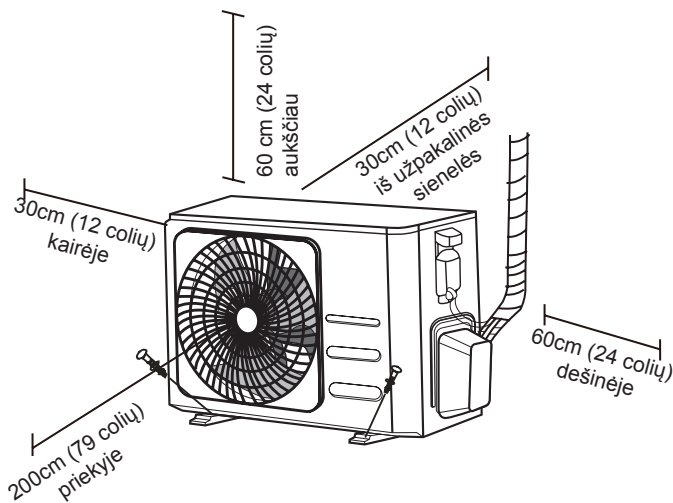
8 žingsnis: Sumontuokite vidinį bloką

Jei prie lauko bloko įrengėte naujus jungiamuosius vamzdynus, atlikite šiuos veiksmus:

- Jei jau praėjote šaltnešio vamzdyną per sienos skylę, pereikite prie 4 veiksmo.
- Priešingu atveju dar kartą patikrinkite, ar šaltnešio vamzdžių galai yra sandarūs, kad į vamzdžius nepatektų nešvarumų ar pašalinių medžiagų.
- Lėtai praeikite apvyniotą šaltnešio vamzdžių pluoštą, išleiskite žarną ir signalo laidą per skylę sienoje.
- Užkabinkite vidaus įrenginio viršutinę dalį ant viršutinės tvirtinimo plokštės kablio.
- Patikrinkite, ar blokas tvirtai pritvirtintas pritvirtinant, šiek tiek paspausdami kairėje ir dešinėje įrenginio pusėse. Įrenginys neturėtų judėti ar pasislinkti.
- Paspausdami tolygų slėgį, nuspauskite apatinę įrenginio pusę. Stumkite žemyn, kol įrenginys užsifiksuos ant kabliukų palei tvirtinimo plokštės dugną.
- Dar kartą patikrinkite, ar įrenginys tvirtai pritvirtintas, šiek tiek paspausdami kairėje ir dešinėje įrenginio pusėse.

Lauko įrenginio montavimas

Įdiekite įrenginį laikydamiesi vietinių taisyklių ir taisyklių, skirtinguose regionuose jie gali skirtis.



Montavimo instrukcijos - lauko įrenginys

1 žingsnis: Pasirinkite diegimo vietą

Prieš montuodami lauko įrenginį, turite pasirinkti tinkamą vietą. Šie standartai padės jums pasirinkti tinkamą įrenginio vietą.

Tinkamos montavimo vietos atitinka šiuos standartus:

- Atitinka visus erdvinius reikalavimus, nurodytus aukščiau esančiuose diegimo vietos reikalavimuose.
- Gera oro cirkuliacija ir ventiliacija
- Tvirta ir tvirta - vieta gali palaikyti įrenginį ir nebus vibruoti
- Triukšmas iš įrenginio netrukdyti kitiems
- Apsaugotas nuo ilgalaikių tiesioginių saulės spindulių ar lietaus
- Jei numatomas snygis, imkitės atitinkamų priemonių, kad išvengtumėte ledo kaupimosi ir ritės pažeidimų.

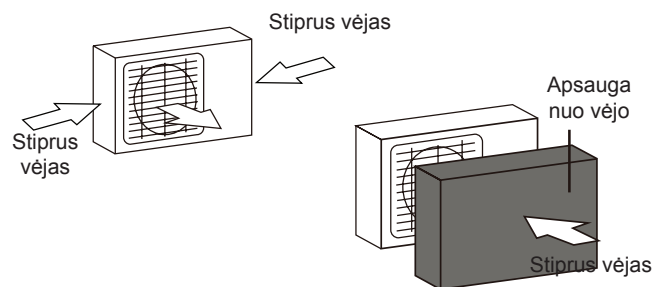
NEĮDUOTI vieneta šiose vietose:

- ⊘ Netoli kliūtys, kuri užblokuos oro įleidimo ir išleidimo takus
- ⊘ Netoli viešosios gatvės, tankiai gyvenamose vietose arba ten, kur prietaiso keliamas triukšmas trukdys kitiems
- ⊘ Netoli gyvūnų ar augalų, kuriems galėtų pakenkti karšto oro srautas
- ⊘ Netoli bet kurio degių dujų šaltinio
- ⊘ Vietose, kuriose yra didelis dulkių kiekis
- ⊘ Vietoje, kurioje yra per daug sūraus oro

YPATINGA ATSARGA EKSTREMALIOIS ORO SĄLYGOMIS

Jei įrenginį veikia stiprus vėjas:

Įrengkite įrenginį taip, kad oro išleidimo ventiliatorius būtų 90 ° kampu vėjo kryptimi. Jei reikia, priešais įrenginį pastatykite užtvaramą, kad apsaugotumėte jį nuo ypač stipraus vėjo. Žiūrėti Paveikslėlius žemiau.



Jei įrenginį dažnai veikia stiprus lietus ar sniegas:

Virš įrenginio pastatykite pastogę, kad apsaugotumėte jį nuo lietaus ar sniego. Būkite atsargūs, kad neuždengtumėte oro srauto aplink įrenginį.

Jei įrenginį dažnai veikia sūrus oras (pajūryje):

Naudokite lauko įrenginį, specialiai sukurtą atsparumui korozijai.

2 žingsnis: Sumontuokite išleidimo jungtį (tik šilumos siurblio blokas)

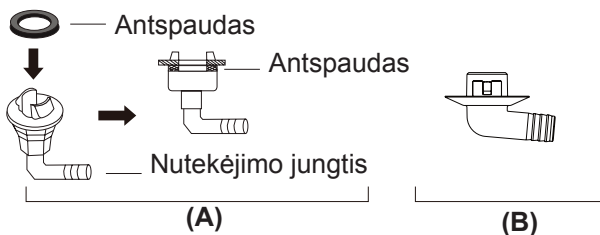
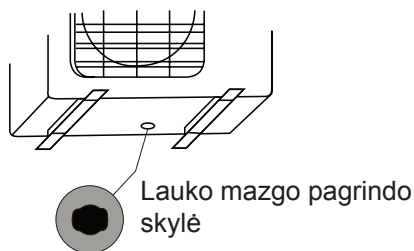
Prieš pritvirtindami lauko įrenginį savo vietoje, apačioje turite sumontuoti išleidimo jungtį. Atminkite, kad yra du skirtingi nutekėjimo jungčių tipai, priklausomai nuo lauko įrenginio tipo.

Jei kanalizacijos jungtis yra su guminiu tarpikliu (žr. A pav.), Atlikite šiuos veiksmus:

1. Uždėkite guminį tarpiklį ant kanalizacijos jungties, kuri prisijungs prie lauko įrenginio, galo.
2. Įstatykite išleidimo jungtį į įrenginio pagrindo panelio angą.
3. Pasukite kanalizacijos jungtį 90° kampu, kol ji užsifiksuos vietoje priešais įrenginio priekį.
4. Prijunkite išleidimo žarnos prailginimą (neįtraukta) į išleidimo jungtį, kad šildymo režimu nukreiptų vandenį iš įrenginio.

Jei kanalizacijos jungtyje nėra guminio tarpiklio (žr. B pav.), atlikite šiuos veiksmus:

1. Įstatykite išleidimo jungtį į įrenginio pagrindo panelio angą. Nutekėjimo jungtis užsifiksuos vietoje.
2. Prijunkite išleidimo žarnos prailginimą (neįtraukta) į išleidimo jungtį, kad šildymo režimu nukreiptų vandenį iš įrenginio.

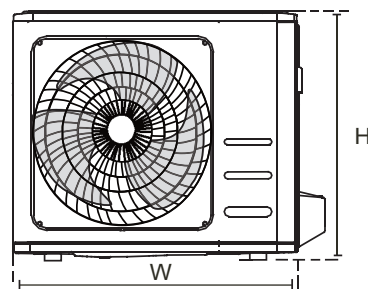
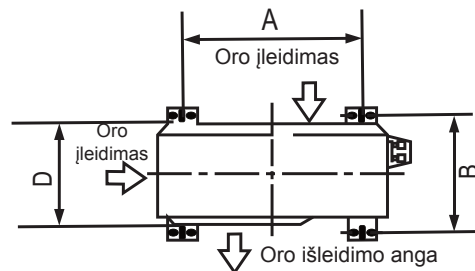


3 žingsnis: Užkabinkite lauko blokas

Lauko elementą galima pritvirtinti prie žemės arba prie sienos tvirtinamą laikiklį su varžtu (M10). Paruoškite įrenginio montavimo pagrindą pagal žemiau pateiktus matmenis.

BLOKO MONTAVIMO MATMENYS

Čia pateikiami įvairių lauko įrenginių dydžių ir atstumo tarp jų tvirtinimo kojų sąrašas. Paruoškite įrenginio montavimo pagrindą pagal žemiau pateiktus matmenis.



! ŠALTAME KLIMATE

Šaltame klimate įsitinkinkite, kad drenažo žarna yra kiek įmanoma vertikali, kad būtų užtikrintas greitas vandens nutekėjimas. Jei vanduo nutekės per lėtai, jis gali užšalti žarnoje ir užpilti įrenginį.

Lauko bloko matmenys (mm) I × P × A	Montavimo matmenys	
	Atstumas A (mm)	Atstumas B (mm)
681x434x285 (26,8"x 17,1"x 11,2")	460 (18,1")	292 (11,5")
700x550x270 (27,5"x 21,6"x 10,6")	450 (17,7")	260 (10,2")
700x550x275 (27,5"x 21,6"x 10,8")	450 (17,7")	260 (10,2")
720x495x270 (28,3"x 19,5"x 10,6")	452 (17,8")	255 (10,0")
728x555x300 (28,7"x 21,8"x 11,8")	452 (17,8")	302(11,9")
765x555x303 (30,1"x 21,8"x 11,9")	452 (17,8")	286(11,3")
770x555x300 (30,3"x 21,8"x 11,8")	487 (19,2")	298 (11,7")
805x554x330 (31,7"x 21,8"x 12,9")	511 (20,1")	317 (12,5")
800x554x333 (31,5"x 21,8"x 13,1")	514 (20,2")	340 (13,4")
845x702x363 (33,3"x 27,6"x 14,3")	540 (21,3")	350 (13,8")
890x673x342 (35,0"x 26,5"x 13,5")	663 (26,1")	354 (13,9")
946x810x420 (37,2"x 31,9"x 16,5")	673 (26,5")	403 (15,9")
946x810x410 (37,2"x 31,9"x 16,1")	673 (26,5")	403 (15,9")

Jei įrenginį sumontuosite ant žemės ar ant betoninės tvirtinimo platformos, atlikite šiuos veiksmus:

1. Pažymėkite keturių išsiplėtimo varžtų padėtis pagal matmenų lentelę.
2. Iš anksto gręžkite skylių išsiplėtimo varžtus.
3. Ant kiekvieno išsiplėtimo varžto galo uždėkite veržlę.
4. Plaktuko išplėtimo varžtai į išgręžtas skylutes.
5. Nuimkite veržles nuo išsiplėtimo varžtų ir uždėkite lauko varžtą.
6. Uždėkite poveržlę ant kiekvieno išsiplėtimo varžto, tada pakeiskite veržles.
7. Veržliarakčiu priveržkite kiekvieną veržlę, kol ji užsifiksuos.



ĮSPĖJIMAS

KUOMETE GREŽIAMA SIENA, VISADA NAUDOKITE APSAUGĄ AKIMS

Jei įrenginį sumontuosite ant sieninio laikiklio, atlikite šiuos veiksmus:



ATSARGIAI

Įsitinkite, kad siena pagaminta iš tvirtų plytų, betono ar iš panašios stiprios medžiagos. **Siena turi išlaikyti bent keturis kartus didesnį įrenginio svorį.**

1. Remdamiesi matmenų lentele pažymėkite skliaustų skylių vietą.
2. Iš anksto gręžkite išsiplėtimo varžtų skylutes.
3. Ant kiekvieno išsiplėtimo varžto galo uždėkite poveržlę ir veržlę.
4. Išskeiskite varžtus per skylutes tvirtinimo laikikliuose, įstatykite tvirtinimo laikiklius į vietą ir plaktuką pritvirtinkite prie sienos.
5. Patikrinkite, ar tvirtinimo laikikliai yra lygūs.
6. Atsargiai pakelkite įrenginį ir uždėkite jo tvirtinimo kojias ant laikiklių.
7. Tvirtai pritvirtinkite įrenginį prie laikiklių.
8. Jei leidžiama, sumontuokite įrenginį su guminėmis tarpinėmis, kad sumažintumėte vibraciją ir triukšmą.

4 žingsnis: Prijunkite signalo ir maitinimo laidus

Išorinio bloko gnybtų blokas yra apsaugotas elektros laidų dangčiu, esančiu įrenginio šone. Ant laidų dangtelio vidinės pusės išspausdinta išsami elektros instaliacijos schema.



ĮSPĖJIMAS

PRIEŠ ATLIKdami BET KOKIUS ELEKTROS AR LAIDŲ DARBUS, IŠJUNKITE PAGRINDINĘ ELEKTROS ENERGIJĄ PRIE SISTEMOS.

1. Paruoškite laidą prijungimui:

NAUDOKITE TINKAMUS KABELIUS

Pasirinkite tinkamą kabelį, žr. 25 puslapyje „Kabelių tipai“.

PASIRINKITE TEISĖS KABELIO DYDĮ

Reikalingas maitinimo kabelio, signalo laido, saugiklio ir jungiklio dydis nustatomas pagal maksimalią įrenginio srovę. Didžiausia srovė yra nurodyta ant duomenų lentelės, esančios įrenginio šoniniame skydelyje.

PASTABA: Šiaurės Amerikoje pasirinkite tinkamą kabelio dydį pagal mažiausią grandinės stiprumą, nurodytą įrenginio vardinėje plokštelėje.

- Naudodami vielos nuėmiklius, iš abiejų laido galų nuimkite guminę apvaskalą, kad viduje būtų apie 40 mm (1,57 colio) laidų.
- Išbandykite izoliaciją nuo laidų galų.
- Naudodami vielos smulkintuvą, vielų galuose užspauskite u-kaiščius.

STEBĖKITE PAJUNGtus LAIDUS

Kreipdami laidus įsitikinkite, kad aiškiai atskirtumėte tiesioginį („L“) laidą nuo kitų laidų.

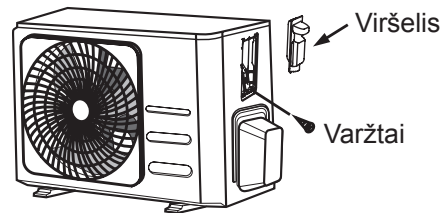


ĮSPĖJIMAS

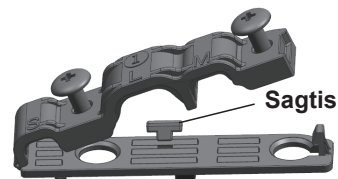
VISAS LAIDŲ VEDIMAS TURI BŪTI ATLIKTAS PAGAL LAIDŲ VEDIMO DIAGRAMĄ KURI YRA ANT LAUKINIO BLOKO VIDINĖS DALIES

- Atsukite ir nusukite elektros laidų dangtį.
- Atsukite laido gnybtą žemiau gnybtų bloko ir padėkite į šoną.
- Prijunkite laidą pagal elektros instaliacijos schemą ir tvirtai pritvirtinkite kiekvieno laido gnybtą prie atitinkamo gnybto.
- Patikrinę, kad įsitikintumėte, ar kiekvienas ryšys yra patikimas, apriškite laidus, kad lietaus vanduo nepatektų į terminalą.
- Naudodami laido spaustuką, pritvirtinkite laidą prie įrenginio. Sandariai užsukite kabelio spaustuką.

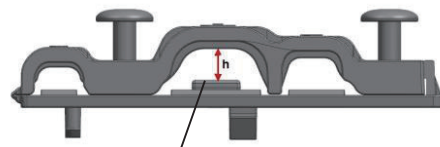
- Neišnaudotus laidus izoliuokite PVC elektros juosta. Išdėstykite juos taip, kad jie neliestų jokių elektrinių ar metalinių dalių.
- Uždėkite vielos gaubtą įrenginio šone ir užsukite.



PASTABA: Jei kabelio gnybtas atrodo taip, kaip nurodyta toliau, pagal laido skersmenį pasirinkite tinkamą kiaurymę.



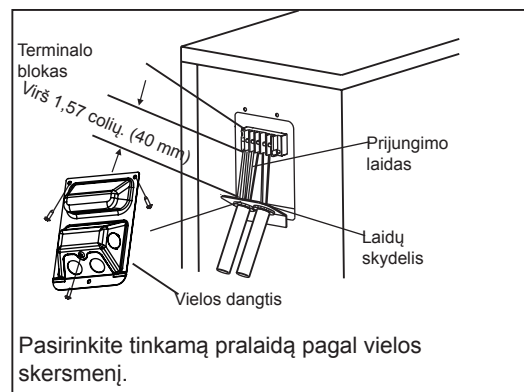
Trijų dydžių skylė: Mažas, didelis, vidutinis



Kai veržliaraktis nepakankamai pritvirtintas, naudokite sagtį, kad jį paremtumėte ir galėtumėte tvirtai užspausti.

Šiaurės Amerikoje

- Nuimkite laido dangtelį nuo įrenginio, atsukdami 3 varžtus.
- Nuimkite vamzdyno skydelio dangtelius.
- Laikinau pritvirtinkite vamzdyno vamzdžius (neprieddami) ant vamzdyno skydo.
- Tinkamai prijunkite tiek maitinimo tiek žemos įtampos linijas prie atitinkamų gnybtų gnybtų.
- Ižeminkite įrenginį pagal vietinius kodus.
- Būtinai išmatuokite kiekvieną laidą, kad būtų keli coliai ilgesni nei reikia laidui.
- Norėdami pritvirtinti vamzdyno vamzdelius, naudokite fiksavimo veržles.



Šaltnešio vamzdynų jungtis

Prijungdami šaltnešio vamzdynus, **neleiskite** įrenginį patekti medžiagoms ar dujoms, išskyrus nurodytą šaltnešį. Dėl kitų dujų ar medžiagų sumažės įrenginio talpa ir tai gali sukelti neįprastai aukštą slėgį šaldymo cikle. Tai gali sukelti sproginimą ir susižeisti.

Pastaba apie vamzdžio ilgį

Šaltnešio vamzdynų ilgis turės įtakos įrenginio našumui ir energijos efektyvumui. Nominalus efektyvumas bandomas vienetams, kurių vamzdžių ilgis yra 5 metrai (16,5 pėdos) (Šiaurės Amerikoje standartinis vamzdžio ilgis yra 7,5 m (25')). Norint sumažinti vibraciją ir pernelyg didelį triukšmą, reikia mažiausiai 3 metrų vamzdžio eigos. Specialiame atogrąžų rajone, šaltnešio modeliams R290, šaltnešio dėti negalima, o maksimalus aušinimo vamzdžio ilgis neturi viršyti 10 metrų (32.8 pėdų).

Žemiau pateiktoje lentelėje pateikiami duomenys apie maksimalų vamzdynų ilgį ir kritimo aukštį.

Maksimalus aušinimo skysčio vamzdyno ilgis ir aukštis, tenkantis modeliui

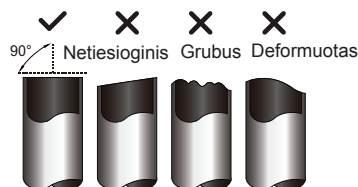
Modelis	Talpa (BTU/h)	Maks. Ilgis (m)	Maks. Kritimo aukštis (m)
R410A, R32 inverterio padalytas oro kondicionierius	≤ 15,000	25 (82 pėdų ilgio)	10 (33 pėdų)
	≥ 15,000 ir < 24,000	30 (98.5 pėdų)	20 (66 pėdų)
	≥ 24,000 ir < 36,000	50 (164 pėdų)	25 (82 pėdų ilgio)
R22 fiksuoto greičio padalytas oro kondicionierius	< 18,000	10 (33 pėdų)	5 (16 pėdų)
	≥ 18,000 ir < 21,000	15 (49 pėdų)	8 (26 pėdų)
	≥ 21,000 ir < 35,000	20 (66 pėdų)	10 (33 pėdų)
R410A, R32 fiksuoto greičio padalytas oro kondicionierius	< 18,000	20 (66 pėdų)	8 (26 pėdų)
	≥ 18,000 ir < 36,000	25 (82 pėdų ilgio)	10 (33 pėdų)

Prijungimo instrukcijos - aušinimo skysčio vamzdynas

1 žingsnis: Iškirpti vamzdžiai

Ruošdami šaltnešio vamzdžius, ypač atsargiai supjaustykite ir uždekite. Tai užtikrins veiksmingą veikimą ir sumažins būsimo priežiūros poreikį.

1. Išmatuokite atstumą tarp vidaus ir lauko įrenginių.
2. Naudodami vamzdžių pjaustytuvą, nupjaukite vamzdį šiek tiek ilgesnį nei išmatuotas atstumas.
3. Įsitikinkite, kad vamzdis supjaustytas tobulu 90 ° kampu.



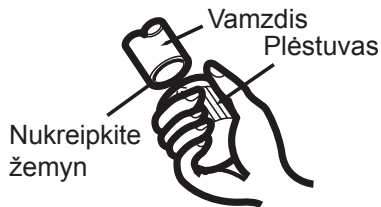
PJAUDAMI NEDEFORMUOKITE VAMZDŽIO

Būkite ypač atsargūs, kad pjaustydami nepažeistumėte, nesugadintumėte ir nedeformuotumėte vamzdžio. Tai žymiai sumažins įrenginio šildymo efektyvumą.

2 žingsnis: Pašalinkite šerius

Burrai gali turėti įtakos oro nepraleidžiančiam šaltnešio vamzdinių sujungimui. Jie turi būti visiškai pašalinti.

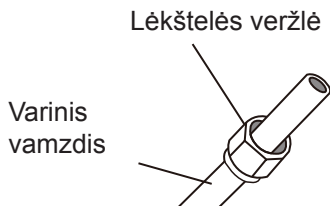
1. Kad vamzdis nepatektų į vamzdį, laikykite vamzdį žemyn.
2. Naudodami plėstuvą arba nušlifavimo įrankį, pašalinkite visas šerpetas iš supjaustytos vamzdžio dalies.



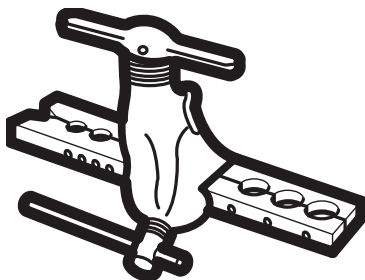
3 žingsnis: Liepsnos vamzdžio galai

Norint užtikrinti sandarumą, būtina tinkamai flaringuoti.

1. Pašalinę nuo supjaustyto vamzdžio šluoteles, užklijuokite galus PVC juosta, kad pašalinės medžiagos nepatektų į vamzdį.
2. Apsaugo vamzdį su izoliacine medžiaga.
3. Ant abiejų vamzdžio galų uždėkite flanšo veržles. Įsitikinkite, kad jie nukreipti teisinga kryptimi, nes po liepsnos negalite jų uždėti ar pakeisti jų krypties.

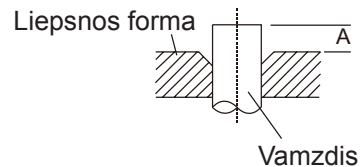


4. Pasiruošę deginimo darbams, nuimkite PVC juostą nuo vamzdžio galų.
5. Vamzdžio gale susidaro gnybtu. Vamzdžio galas turi išsikišti už atlenkimo formos krašto pagal toliau pateiktoje lentelėje nurodytus matmenis.



VAMZDŽIŲ IŠPLĖTIMO PRIEMONĖS PAGAL PLOKŠTĖS FORMĄ

Išorinis vamzdžio skersmuo (mm)	A (mm)	
	Min.	Maks.
Ø 6,35 (Ø 0,25")	0,7 (0,0275")	1,3 (0,05")
Ø 9,52 (Ø 0,375")	1,0 (0,04")	1,6 (0,063")
Ø 12,7 (Ø 0,5")	1,0 (0,04")	1,8 (0,07")
Ø 16 (Ø 0,63")	2,0 (0,078")	2,2 (0,086")
Ø 19 (Ø 0,75")	2,0 (0,078")	2,4 (0,094")



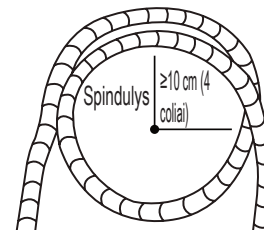
6. Padėkite pjovimo įrankį ant formos.
7. Sukite pjovimo įrankio rankeną pagal laikrodžio rodyklę, kol vamzdis visiškai užsidegs.
8. Nuimkite pjovimo įrankį ir liepsnos formą, tada patikrinkite, ar vamzdžio gale nėra įtrūkimų ir net liepsnos.

4 žingsnis: Prijunkite vamzdžius

Prijungdami šaltnešio vamzdžius, atsargiai nenaudokite sukimo momento ir jokių būdų nedeformuokite vamzdinių. Pirmiausia turėtumėte prijungti žemo slėgio vamzdį, tada aukšto slėgio vamzdį.

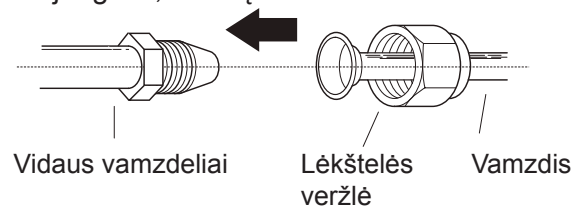
MINIMALUS LENKIMO SPINDULYS

Lenkiant jungiamąjį šaltnešio vamzdinį, mažiausias lenkimo spindulys yra 10cm.

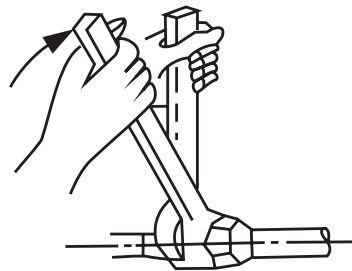


Vamzdinių prijungimo prie vidaus įrengimo instrukcijos

1. Sulygiuokite dviejų vamzdžių, kuriuos sujungsite, centrą.



- Priveržkite liepsnos veržlę kuo sandariau rankomis.
- Veržliarakčiu užveržkite veržlę ant įrenginio vamzdžio.
- Tvirtai laikydami veržlę ant įrenginio vamzdžio, naudokite sukimo momento veržliaraktį, kad priveržtumėte flanšo veržlę pagal sukimo momento vertes, pateiktas toliau pateiktoje sukamojo momento reikalavimų lentelėje. Šiek tiek atlaisvinkite pleištinę veržlę, tada vėl priveržkite.



SUKIMO MOMENTO REIKALAVIMAI

Išorinis vamzdžio skersmuo (mm)	Priveržimo momentas (N•m)	Atvamzdžio matmuo (B) (mm)	Spygliuota forma
Ø 6,35 (Ø 0,25")	18~20(180~200kgf.cm)	8,4~8,7 (0,33~0,34")	
Ø 9,52 (Ø 0,375")	32~39(320~390kgf.cm)	13,2~13,5 (0,52~0,53")	
Ø 12,7 (Ø 0,5")	49~59(490~590kgf.cm)	16,2~16,5 (0,64~0,65")	
Ø 16 (Ø 0,63")	57~71(570~710kgf.cm)	19,2~19,7 (0,76~0,78")	
Ø 19 (Ø 0,75")	67~101(670~1010kgf.cm)	23,2~23,7 (0,91~0,93")	

⚠ NENAUDOKITE DIDELĖS VEIKLOS

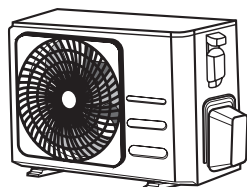
Didelė jėga gali sulaužyti veržlę arba sugadinti aušinimo skysčio vamzdinius. Negalite viršyti aukščiau pateiktoje lentelėje nurodytų sukimo momento reikalavimų.

Vamzdinių prijungimo prie lauko įrenginio instrukcijos

- Atsukite dangtelį nuo supakuoto vožtuvo, esančio lauko bloko pusėje.
- Nuimkite apsauginius dangtelius nuo vožtuvų galų.
- Sulygiuokite sudeginto vamzdžio galą su kiekvienu vožtuvu ir ranka priveržkite degiklio veržlę kuo griežčiau.
- Naudodami veržliaraktį suimkite vožtuvo korpusą. Nespauskite darbinio vožtuvo sandarinimo veržlės.
- Šiek tiek atlaisvinkite pleištinę veržlę, tada vėl priveržkite.
- Pakartokite 3–6 veiksmus su likusiu vamzdžiu.

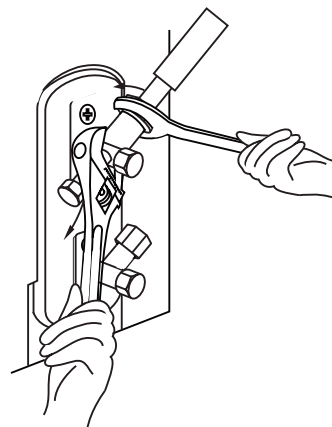
⚠ NAUDOTI ĮRANKIUS PAGRINDINIAM VOŽTUVUI LAIKYTI

Sukimo momentas, priveržęs degiklio veržlę, gali nubraukti kitas vožtuvo dalis.



Vožtuvo dangtis

- Tvirtai laikydami vožtuvo korpusą, naudokite sukimo momento veržliaraktį, kad priveržtumėte flanšo veržlę pagal teisingas sukimo momento vertes.



Oro evakuacija

Paruošimas ir atsargumo priemonės

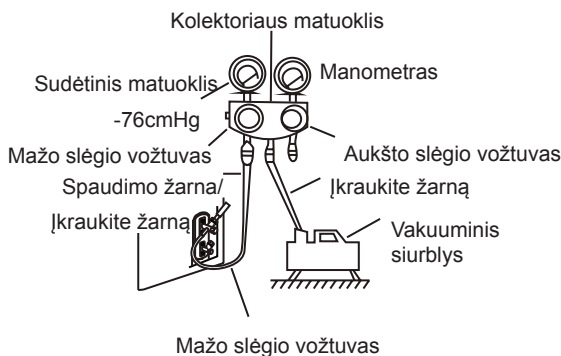
Oras ir pašalinės medžiagos aušinimo skysčio kontūre gali sukelti nenormalų slėgio padidėjimą, kuris gali pakenkti oro kondicionieriui, sumažinti jo efektyvumą ir susižeisti. Vakuuminis siurbliu ir kolektoriaus matuokliu pašalinkite aušinimo skysčio apytaką, pašalindami iš sistemos nekondensacines dujas ir drėgmę. Vertinimą reikia atlikti iki pradinio montavimo ir perkeltiant įrenginį.

PRIEŠ ATLIKDAMI VERTINIMĄ

- Patikrinkite, ar tinkamai sujungti jungiamieji vamzdžiai tarp vidaus ir lauko įrenginių.
- Patikrinkite, ar visi laidai yra tinkamai prijungti.

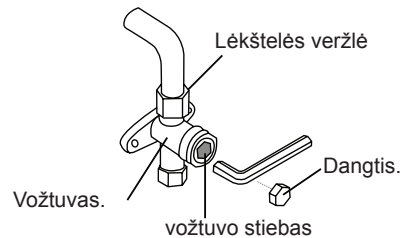
Evakuacijos instrukcijos

1. Prijunkite kolektoriaus matuoklio įkrovimo žarną prie išorinio įrenginio žemo slėgio vožtuvo aptarnavimo angos.
2. Prijunkite kitą įkrovimo žarną nuo kolektoriaus matuoklio prie vakuuminio siurblio.
3. Atidarykite kolektoriaus matuoklio žemo slėgio pusę. Laikykite uždarytą aukšto slėgio pusę.
4. Įjunkite vakuuminį siurblį, kad evakuotumėte sistemą.
5. Paleiskite siurblį mažiausiai 15 minučių arba tol, kol sudėtinis matuoklis parodys -76cmHg (-10^5 Pa).



6. Uždarykite kolektoriaus matuoklio žemo slėgio pusę ir išjunkite vakuuminį siurblį.
7. Palaukite 5 minutes, tada patikrinkite, ar nepasikeitė sistemos slėgis.

8. Jei pasikeičia sistemos slėgis, informacijos apie tai, kaip patikrinti, ar nėra nuotėkių, ieškokite skyriuje Dujų nuotėkio tikrinimas. Jei sistemos slėgio nėra, pasukite dangtelį iš supakuotų vožtuvų (aukšto slėgio vožtuvo).
9. Įkiškite šešiakampį veržliaraktį į supakuotą vožtuvą (aukšto slėgio vožtuvą) ir atidarykite vožtuvą sukdami veržliaraktį 1/4 prieš laikrodžio rodyklę. Klausykite, kaip iš sistemos išeina dujos, po 5 sekundžių uždarykite vožtuvą.
10. Vieną minutę stebėkite manometrą, kad įsitikintumėte, jog slėgis nekinta. Manometras turėtų būti šiek tiek didesnis už atmosferos slėgį.
11. Nuimkite įkrovimo žarną iš aptarnavimo prievado.



12. Šešiakampiu veržliaraktiu visiškai atidarykite aukšto ir žemo slėgio vožtuvus.
13. Ranka užveržkite visų trijų vožtuvų (aptarnavimo angos, aukšto ir žemo slėgio) vožtuvų dangtelius. Jei reikia, galite dar priveržti, naudodami sukimo momento veržliaraktį.

! ŠVELNIAI ATIDARYKITE VOŽTUVUS.

Atidarydami vožtuvo stiebus, pasukite šešiakampį veržliaraktį, kol jis atsitrenks į kamštį. Nemėginkite vožtuvo atidaryti jėga.

Pastaba dėl šaltnešio instaliavimo

Kai kurioms sistemoms reikia papildomo įkrovimo, atsižvelgiant į vamzdžių ilgį. Standartinis vamzdžio ilgis skiriasi atsižvelgiant į vietinius įstatymus. Pavyzdžiui, Šiaurės Amerikoje standartinis vamzdžio ilgis yra 7,5m (25'). Kitose vietose standartinis vamzdžio ilgis yra 5m (16'). Šaltnešis turėtų būti įkraunamas iš išorinio įrenginio žemo slėgio vožtuvo aptarnavimo angos. Papildomą įkraunamą šaltnešį galima apskaičiuoti pagal šią formulę:

PAPILDOMAS ŠALDYTUVAS PER VAMZDŽIŲ ILGĮ

Jungiamojo vamzdžio ilgis (m)	Oro valymo funkcija	Papildomas šaldymo skystis	
≤ standartinis vamzdžio ilgis	Vakuuminis siurblys	NETAIKOMA	
> standartinis vamzdžio ilgis	Vakuuminis siurblys	Skystosios pusės: Ø 6,35 (ø 0,25") R32: (Vamzdžio ilgis - standartinis ilgis) x 12g / m (Vamzdžio ilgis - standartinis ilgis) x 0,13oz / pėdos R290: (Vamzdžio ilgis - standartinis ilgis) x 10g / m (Vamzdžio ilgis - standartinis ilgis) x 0,10oz / ft R410A: (Vamzdžio ilgis - standartinis ilgis) x 15g / m (Vamzdžio ilgis - standartinis ilgis) x 0,16oz / ft R22: (Vamzdžio ilgis - standartinis ilgis) x 20g / m (Vamzdžio ilgis - standartinis ilgis) x 0,21oz / ft	Skystosios pusės: Ø 9,52 (ø 0,375") R32: (Vamzdžio ilgis - standartinis ilgis) x 24g / m (Vamzdžio ilgis - standartinis ilgis) x 0,26oz / ft R290: (Vamzdžio ilgis - standartinis ilgis) x 18g / m (Vamzdžio ilgis - standartinis ilgis) x 0,19oz / ft R410A: (Vamzdžio ilgis - standartinis ilgis) x 30g / m (Vamzdžio ilgis - standartinis ilgis) x 0,32oz / ft R22: (Vamzdžio ilgis - standartinis ilgis) x 40g / m (Vamzdžio ilgis - standartinis ilgis) x 0,42oz / ft

Bendras įkraunamo šaltnešio „R290“ agregato kiekis yra ne didesnis kaip:

387g (<=9000Btu/h), 447g (>9000Btu/h ir <=12000Btu/h), 547g (>12000Btu/h ir <=18000Btu/h), 632g (>18000Btu/h ir <=24000Btu/h).



ATSARGIAI

NEGALIMA maišyti šaltnešių tipų.

Elektros ir dujų nuotėkio tikrinimai

Prieš testavimą

Bandomąjį bėgimą atlikite tik atlikę šiuos veiksmus:

- **Elektros saugos patikrinimai** - įsitinkite, kad įrenginio elektros sistema yra saugi ir tinkamai veikia.
- **Dujų nuotėkio patikrinimai** - patikrinkite visas flanšinių veržlių jungtis ir įsitinkite, kad sistemoje nėra nuotėkio.
- Patikrinkite, ar dujų ir skysčio (aukšto ir žemo slėgio) vožtuvai yra visiškai atidaryti

Elektros saugos patikros

Įdiegę patikrinkite, ar visi elektros laidai yra sumontuoti laikantis vietinių ir nacionalinių taisyklių bei diegimo vadovo.

PRIEŠ TESTAVIMĄ

Patikrinkite įžeminimą

Išmatuokite įžeminimo varžą vizualiai aptikdami ir naudodami įžeminimo varžą. Įžeminimas turi būti mažesnis kaip $0,1\Omega$.

Pastaba: Kai kuriose Šiaurės Amerikos vietovėse to gali nereikėti.

TESTAVIMO METU

Elektros nuotėkis

Bandomojo važiavimo metu atlikite išsamų elektrinio nuotėkio bandymą naudodami elektrofobą ir multimetą.

Jei aptinkamas elektros nuotėkis, nedelsdami išjunkite įrenginį ir paskambinkite įgalotam elektrikui, kad surastų ir pašalintų nuotėkio priežastį.

Pastaba: Kai kuriose Šiaurės Amerikos vietovėse to gali nereikėti.



DĖMESIO – ELEKTROS ŠOKO RIZIKA

VISI ELEKTROS DARBAI TURI ATITIKTI STANDARTUS IR BŪT ATLIKTI SERTIFIKUOTO ELEKTRIKO.

Dujų nutekėjimo patikrinimas

Yra du būdai stebėti dujų nutekėjimus.

Muilo ir vandens funkcija.

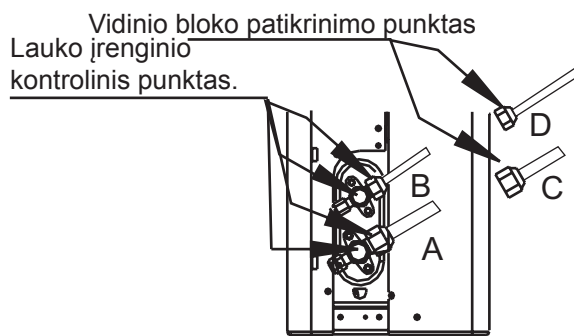
Minkštu šepetėliu patepkite muiluotą vandenį arba skystą ploviklį prie visų vidinio ir lauko bloko vamzdžių sujungimo taškų. Burbulų atsiradimas reiškia nutekėjimą.

Nutekėjimo stebėjimų funkcija

Jei naudojate nuotėkio detektorius, vadovaukitės įrenginio naudojimo instrukcija, kad gautumėte tinkamas naudojimo instrukcijas.

PO DUJŲ NUTEKĖJIMO PATIKRINIMO

Patvirtinę, kad visi vamzdžių sujungimo taškai NENUTEKA, užmaukite išorinio bloko vožtuvą dangtį.



- A: Žemo slėgio vožtuvas
- B: Aukšto slėgio vožtuvas
- C & D: Vidinio bloko pakaitinimo dalys

Testavimas.

Testavimo instrukcijos.

Testavimas turėtų trukti bent 30 minučių.

1. Prijunkite elektros srovę.
2. Paspauskite nuotolinio valdymo pulto įjungimo/išjungimo mygtuką, kad jį įjungtumėte.
3. Paspauskite „MODE“ mygtuką, kad po vieną peržiūrėtumėte šias funkcijas:
 - COOL – pasirinkite mažiausią įmanomą temperatūrą
 - HEAT – pasirinkite didžiausią įmanomą temperatūrą
4. Leiskite kiekvienai funkcijai veikti 5 minutes ir atlikite šiuos patikrinimus:

Atliekamų patikrinimų sąrašas	ĮVYKDYTA/NEĮVYKDYTA	
Nėra elektros nutekėjimų		
Gaminys tinkamai įžemintas		
Visi elektros skydeliai tinkamai uždengti		
Vidaus ir lauko įrenginiai yra tvirtai sumontuoti		
Visos vamzdžio jungtys tvarkingos	Laukas (2):	Vidus (2):
Vanduo tinkamai drėkinasi		
Visi vamzdiniai yra tinkamai izoliuoti		
Įrenginys tinkamai atlieka VĖSINIMO funkciją		
Įrenginys tinkamai atlieka HEAT funkciją		
Vidinio bloko žaliuzės tinkamai sukasi		
Vidinis blokas atsako į nuotolinio valdymo pultą		

DAR SYKĮ PATIKRINTI VAMZDŽIŲ SUJUNGIMĄ

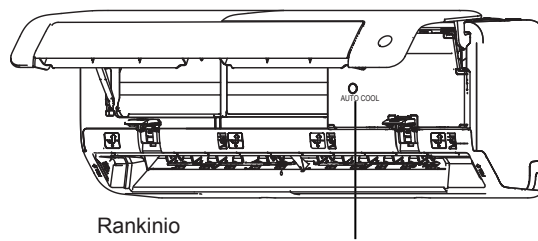
Veikimo metu, padidės aušinimo skysčio slėgis. Tai sukelti nuotėkius, kurių nebuvo jūsų pirminio patikrinimo metu. Patestuokite ir patikrinkite, ar šaltnešio vamzdžių sujungimo vietose nėra nuotėkio. Instrukcijų ieškokite skyriuje „**Dujų nuotėkio tikrinimas**“.

5. Sėkmingai užbaigus bandymą ir patvirtinus, kad visi patikrinimo punktai, pateikiami patikrinimų sąraše, yra **SĖKMINGI**, atlikite šiuos veiksmus:
 - a. Naudodami nuotolinio valdymo pultą, gražinkite įprastą įrenginio darbinę temperatūrą.
 - B. Naudodami izoliacinę juostelę, apvyniokite vidinių aušinimo skysčio vamzdžių jungtis, kurias palikote neuždengę įrengdami patalpų bloką.

JEI JUTIMINĖ TEMPERATŪRA YRA MAŽIAU 17°C (62°F)

Negalite naudoti nuotolinio valdymo pulto, kad įjungtumėte funkciją **COOL**, kai jutiminė temperatūra yra žemesnė nei 16° C. Tokiu atveju, jei norite patikrinti COOL funkciją, galite naudoti mygtuką **MANUAL CONTROL**.

1. „MANUAL CONTROL“ (liet. rankinis valdymas) mygtukas yra dešiniajame šoniniame įrenginio skydelyje.
2. Paspauskite mygtuką 2 kartus, kad pasirinktumėte funkciją „COOL“ (liet. šaldyti).
3. Testuoti įprastai.



Rankinio valdymo mygtukas

Įrenginio pakavimas ir išpakavimas

Įrenginio pakavimo ir išpakavimo instrukcijos:

Išpakavimas:

Vidinis blokas:

1. Peiliu perpjaukite kartoninės dėžutės sandarinimo juostą - vieną pjūvį kairėje, vieną viduryje ir vieną dešinėje.
2. Kartono viršuje esančias sandarinimo vinis ištraukite veržliarakčiu.
3. Atidarykite kartoną.
4. Išimkite viduriniąją atraminę plokštę, jei ji įtraukta.
5. Išimkite priedų pakuotę ir ištraukite jungiamąjį laidą, jei jis yra pridėtas.
6. Pakelkite mašiną iš dėžės ir padėkite ją lygiai.
7. Nuimkite kairįjį ir dešinįjį pakuotės putplastį arba viršutinį ir apatinį pakuotės putplastį, atiškite pakuotės maišelį.

Lauko įrenginys:

1. Nupjaukite pakavimo diržą.
2. Išimkite įrenginį iš dėžutės.
3. Nuimkite putas nuo įrenginio.
4. Nuimkite pakavimo maišelį nuo įrenginio.

Įpakavimas:

Vidinis blokas:

1. Įdėkite vidinį įrenginį į pakavimo maišelį.
2. Prie įrenginio pritvirtinkite kairiąją ir dešiniąją pakuotės putas arba viršutinę ir apatinę pakuotės putas.
3. Įdėkite įrenginį į dėžutę, tada įdėkite priedų pakuotę.
4. Uždarykite dėžutę ir užklijuokite ją lipnia juosta.
5. Jei reikia, naudokite pakavimo diržą.

Lauko blokas:

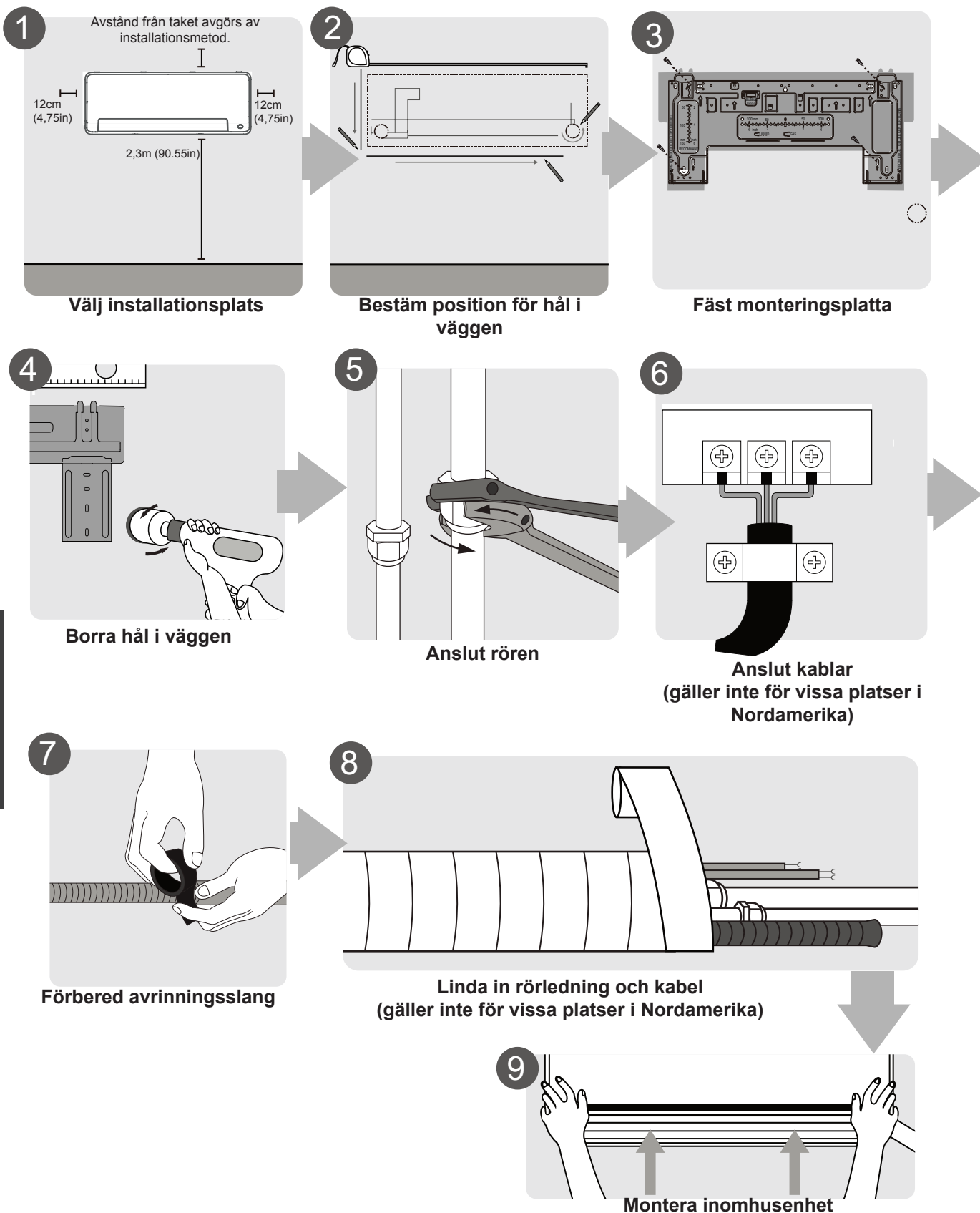
1. Įdėkite lauko įrenginį į pakavimo maišą.
2. Į dėžutę įdėkite apatinį putplastį.
3. Įdėkite įrenginį į dėžutę, tada uždėkite viršutinę pakavimo putą ant įrenginio.
4. Uždarykite dėžutę ir užklijuokite ją lipnia juosta.
5. Jei reikia, naudokite pakavimo diržą.

PASTABA: Pasilikite visas pakuotes, jei jų gali prireikti ateityje.

Installationsmanual

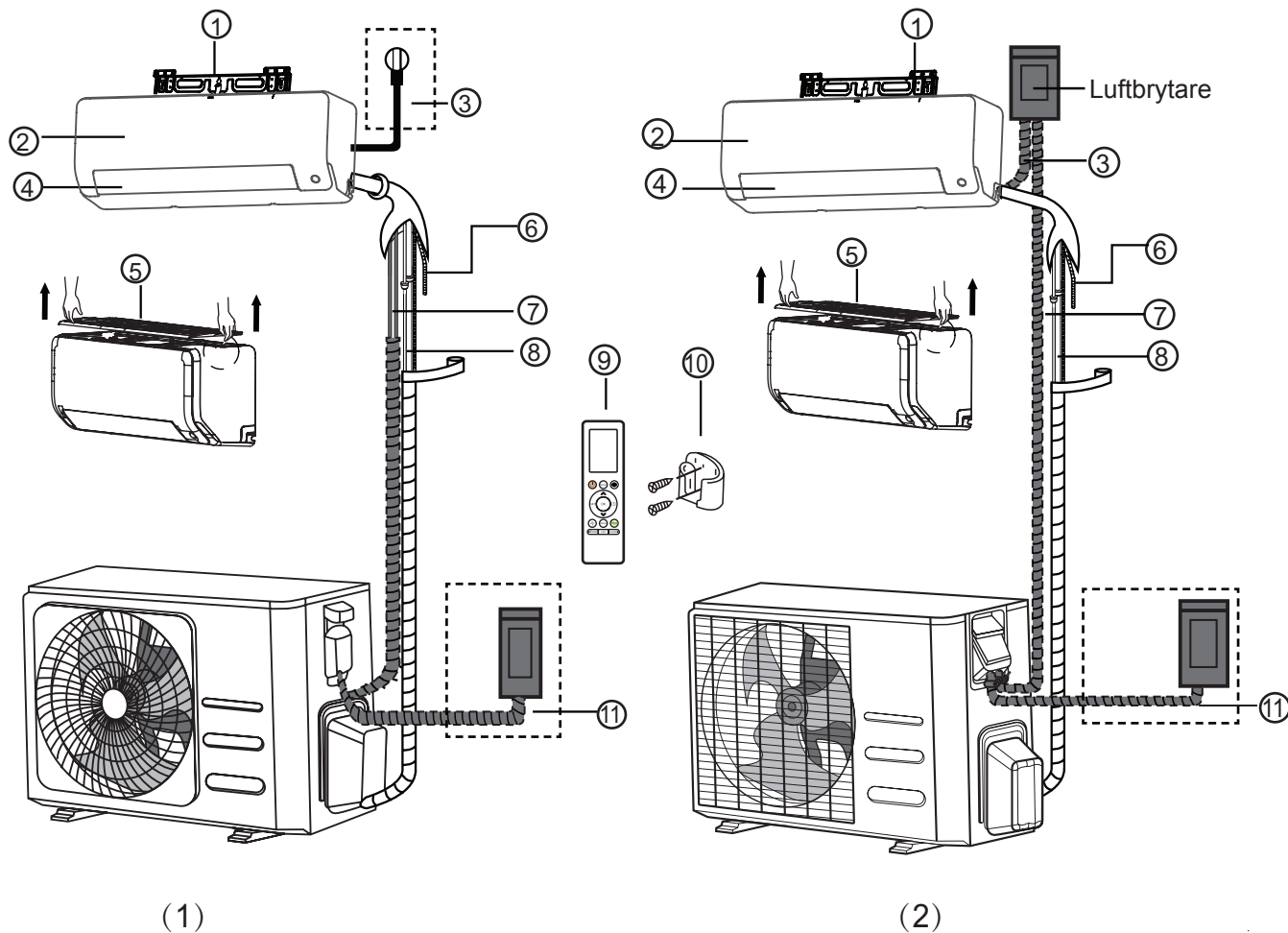
Tillbehör	17
Installationsöversikt - Inomhusenhet	18
Enhetsdelar	19
Installation av inomhusenhet	20
1. Välj installationsplats	20
2. Fäst monteringsplatta på vägg	20
3. Borra hål i väggen för anslutna ledningar	21
4. Förbered köldmedierör	22
5. Anslut utloppsslangen	24
6. Anslut signal- och strömkablar	25
7. Linda in rör och kablar	26
8. Montering av inomhusenhet	26
Utrustning utomhus	27
1. Välj installationsplats	27
2. Installera utlopp	28
3. Förankra utomhusenhet	28
4. Anslut signal- och strömkablar	30
Kylmedelsrörsanslutning	31
A. Några ord om rörlängd	31
B. Anslutningsanvisningar – köldmedierör	31
1. Klippt rör	31
2. Ta bort grader	32
3. Flare rörändar	32
4. Anslut rör	32
Luftevakivering	34
1. Evakueringsanvisningar	34
2. Info om att lägga till kylningsmedel	35
Kontroller av el- och gasläckage	36
Provkörning	37
Förpackning och upppackning av enheten	38

Installationsöversikt - Inomhusenhet



Enhetsdelar

OBSERVERA: Installationen ska utföras i enlighet med kraven utifrån lokala och nationella standarder. Installationen kan vara något annorlunda i olika områden.



- | | | |
|------------------------------|---------------------------|--|
| ① Väggh monteringsplatta | ⑤ Luftfilter (dra ut det) | ⑨ Fjärrkontroll |
| ② Frontpanel | ⑥ Avrinningsrör | ⑩ Hållare för fjärrkontroll
(vissa enheter) |
| ③ Strömkabel (vissa enheter) | ⑦ Signalkabel | ⑪ Strömkabel för utomhusenhet
(vissa enheter) |
| ④ Spjäll | ⑧ Köldmedierör | |

NOTERA PÅ ILLUSTRATIONER

Illustrationerna i den här handboken är förklarande. Den faktiska formen på din inomhusenhet kan vara lite annorlunda. Den faktiska formen skall gälla.

Installation av inomhusenhet

Installationsanvisningar - inomhusenhet

INNAN INSTALLATION

Innan du installerar inomhusenheten så se etiketten i produkt rutan för att säkra att modell numret för inomhusenheten matchar modell numret på utomhusenheten.

Steg 1: Välj installationsplats

Innan du installerar inomhusenheten måste du välja en lämplig plats. Följande är standarder som hjälper dig att välja en lämplig plats för enheten.

Lämpliga installationsplatser möter följande standarder:

- God luftcirkulation
- Lämplig dränering
- Buller från enheten kommer inte att störa andra människor
- Fast och solid - platsen ska inte att vibrera
- Stark nog att bära enhetens vikt
- En plats minst en meter från alla andra elektriska apparater (t.ex. TV, radio, dator)

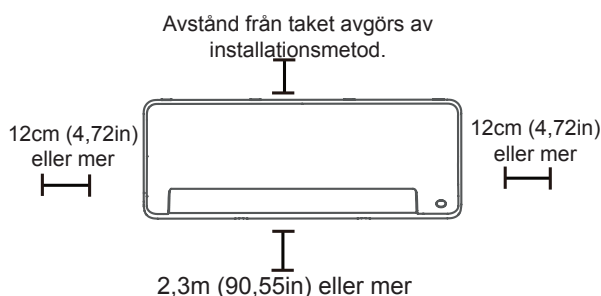
Installera **INTE** enheten på följande platser:

- Nära källor som avger värme, ånga eller brännbar gas
- Nära brandfarliga föremål som gardiner eller kläder
- Nära hinder som kan hindra luftcirkulationen
- Nära dörröppningen
- På en plats utsatt för direkt solljus

NOTERA ANGÅENDE VÄGGHÅL:

Om det inte finns några fasta köldmedierör: När du väljer en plats bör du vara medveten om att du bör lämna gott om plats för ett hål i väggen (se **Borra hål i vägg för anslutningsrör**) för signalkabel och köldmedierör som ansluter inomhus- och utomhusenheterna. Standardpositionen för alla rör är den högra sidan av inomhusenheten (när du är vänd mot enheten). Enheten har utrymme för rörledning till både vänster och höger.

Se följande diagram för att säkerställa korrekt avstånd från väggar och tak:



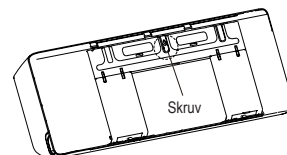
OBSERVERA:

- **Om bakre hållaren inte behövs för att stödja enheten:**
Färdigställ rör- och kabelanslutningar innan montering av inomhusenheten på väggen. Om installationshöjden är begränsad, är 5 cm från taket tillåtet, men detta kan försämra produktens prestanda. För att säkerställa tillräckligt med utrymme för att installera och ta bort det övre luftfiltret krävs ett utrymme på minst 10 cm eller mer från taket.
- **Behövs den bakre hållaren för att stötta upp enheten:**
Vid anslutning av rör och kabel när frontpanelen öppen är minimiavståndet från taket 22 cm eller mer, Vid anslutning av rör och kabel utan frontpanel (ta bort den) är det minsta avståndet från taket 11 cm eller mer.

Steg 2: Fäst monteringsplattan på väggen

Monteringsplattan är den enhet på vilken du ska montera inomhusenheten.

- Lossa skruven som fäster monteringsplattan på baksidan av inomhusenheten.



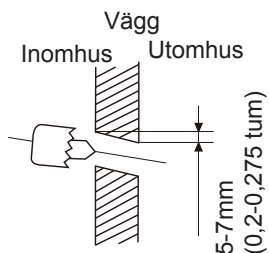
- Fäst monteringsplattan på väggen med de medföljande skruvarna. Se till att monteringsplattan ligger plant mot väggen.

NOTERING FÖR BETONG- ELLER TEGELVÄGGAR:

Om väggen är gjord av tegel, betong eller liknande material, borra 5 mm hål i väggen (0,2 tums diameter) och sätt i medföljande hylsankare. Fäst sedan monteringsplattan på väggen genom att dra åt skruvarna direkt i klämankare.

Steg 3: Borra hål i väggen för anslutna rörledningar

1. Avgör placeringen av hålet i väggen baserat på monteringsplattans position. Se **monteringsplattans mått**.
2. Borra ett hål i väggen med en borkärna på 65 mm (2,5 tum) eller 90 mm (3,54 tum). Se till att borra hålet i en liten nedåtgående vinkel, så att hålets utomhusände är lägre än inomhusändan med ca 5 mm till 7 mm (0,2-0,275 tum). Detta kommer att säkerställa korrekt vattenutlopp.



OBSERVERA: När anslutningsröret på gassidan är Φ 16 mm (5/8 tum) eller mer, bör hålet i väggen vara 90 mm (3,54 tum).

3. Placera väggskyddsmuffen i hålet. Detta skyddar hålets kanter och hjälper till att tätat det när du avslutar installationsprocessen.

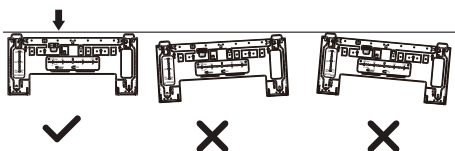
VARNING

Vid borring av vägghålet ska du undvika ledningar, rörledningar och andra känsliga komponenter.

MONTERINGSPLATTANS MÅTT

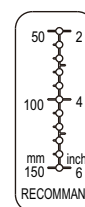
Olika modeller har olika monteringsplattor. För att underlätta installationen finns det bubbelnivå, snidade dimensioner på monteringsplattan. Installera plattan och borra hål i väggen enligt informationen på monteringsplattan. Se figurer nedan.

Korrekt orientering av monteringsplattan

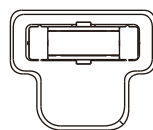


Enhet: mm (tum)

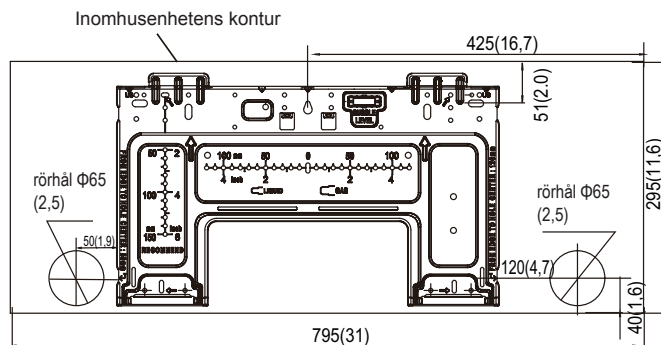
Horisontell riktningslinjal



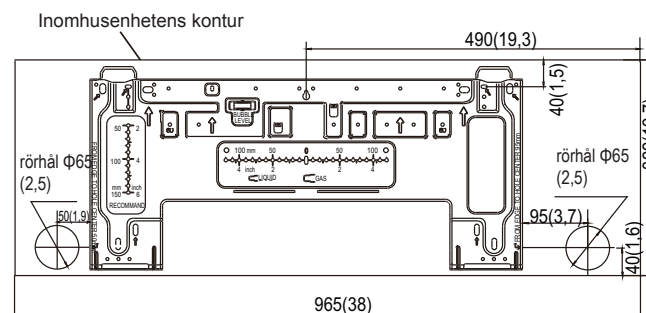
Vertikal riktningslinjal



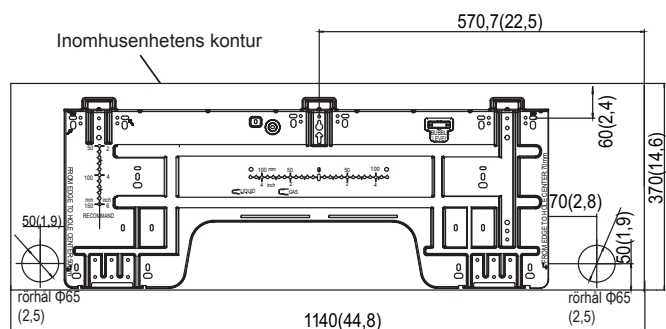
WARNING: Bubbelnivån på monteringsplattan kan inte tas bort. Om den är trasig, se till att rengöra den läckande vätskan.



Modell A



Modell B



Modell C

Installation av inomhusenhet

Steg 4: Förbered köldmedierör

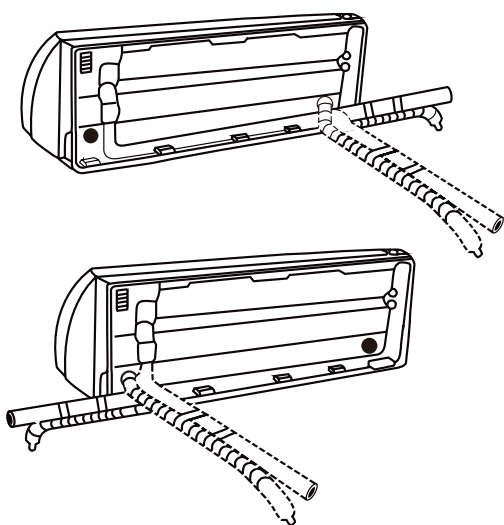
Köldmedierören sitter inuti en isolerande hylsa fäst på baksidan av enheten. Röret måste förberedas innan det förs genom hålet i väggen. Se avsnittet Anslutning av köldmedierör i denna anvisning för detaljerade instruktioner om rörlänsar och åtdragningskrav, teknik etc.

NOTERING OM RÖRVINKEL

Köldmedierör kan utgå från inomhusenheten från fyra olika vinklar:

- Vänster sida
- Vänster baksida
- Höger sida
- Höger baksida

Se **figurerna nedan** för mer information.



NOTERING OM RÖRANSLUTNINGAR

- På vissa platser i USA måste ett ledningsrör användas för att ansluta kabeln. För att säkerställa tillräckligt med utrymme för rören är anslutna till apparaten och maskinen som är riktad mot väggen efter installationen, rekommenderas att fästa avrinningsslangen på höger sida (när du är vänd mot enhetens baksida).
- När du väljer rör på vänster sida eller höger sida, se till att rören kommer ut horisontellt för att inte påverka den nedre panelinstallationen.

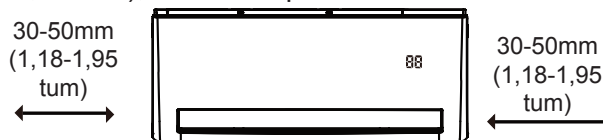
VARNING

Var mycket försiktig så att du inte bucklar eller skadar rören medan du böjer dem bort från enheten. Eventuella bucklor på rören kommer att påverka enhetens prestanda.

Om köldmedierör redan är inbyggda i väggen, gör följande:

Steg 1: Haka fast inomhusenheten på monteringsplattan:

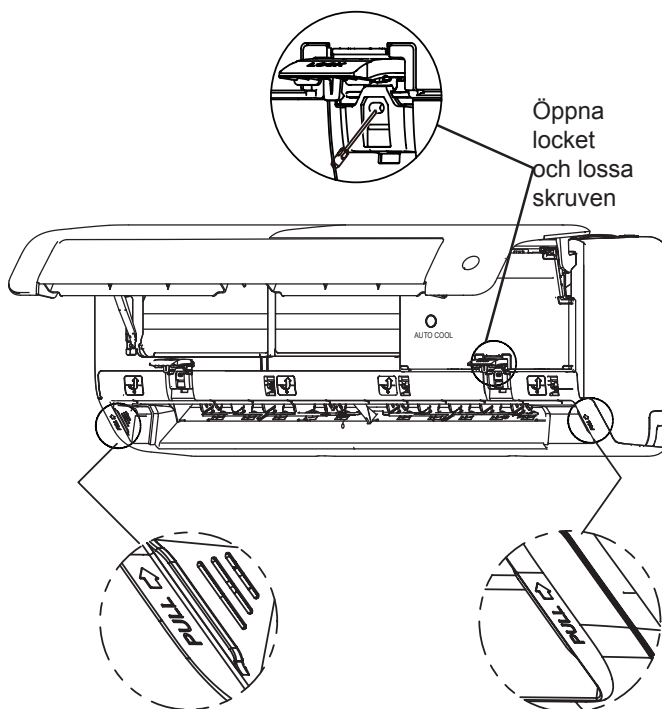
1. Tänk på att hakarna på monteringsplattan är mindre än hålen på enhetens baksida. Om du upptäcker att du inte har tillräckligt med utrymme för att ansluta inbyggda rör till inomhusenheten, kan enheten justeras åt vänster eller höger med cirka 30-50 mm (1,18-1,95 tum), beroende på modell.



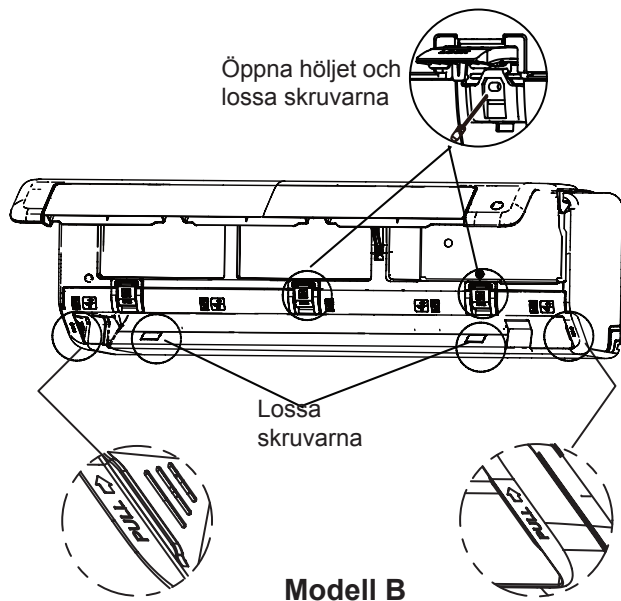
Flytta till vänster eller höger

Steg 2: Förbered köldmedierör:

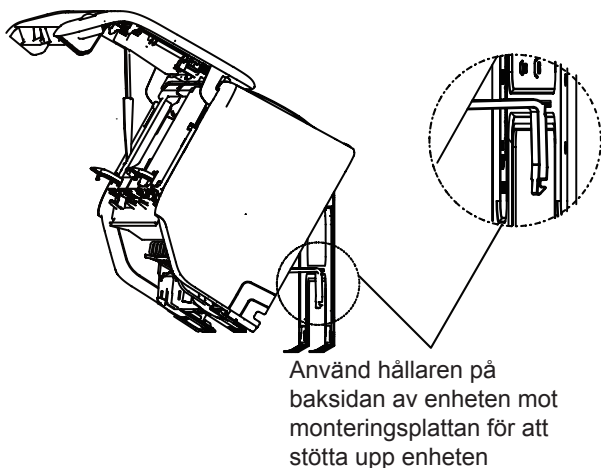
1. Öppna och fixera panelens position, öppna sedan locken på de två låsblocken, lossa skruven som visas på bilden nedan, håll sedan båda sidorna av den nedre panelen på den plats som är markerad "PULL", dra den uppåt för att lossa spännena och ta sedan ner den nedre panelen.



Modell A



2. Använd hållaren på enhetens baksida för att stötta upp enheten, vilket ger dig tillräckligt med utrymme för att ansluta köldmedierör, signalkabel och avrinnings slang.



Steg 3. Anslut avrinnings slang och köldmedierör (se **avsnittet Anslutning av köldmedierör** i denna bruksanvisning).

Steg 4. Håll röranslutningspunkten exponerad för att

utföra läckagetest (se **Elektriska kontroller och läckagekontroller** i denna bruksanvisning).

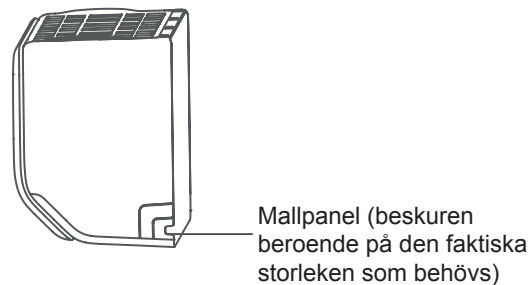
Steg 5. Efter läckagetest, linda in anslutningspunkten med isoleringstejp.

Steg 6. Ta bort fästet eller kilen som stöds med isoleringstejp.

Steg 7. Använd jämnt tryck och tryck ner på enhetens nedre halva. Fortsätt att trycka nedåt tills enheten fäster i hakarna längs med monteringsplattans botten.

Om det inte finns några köldmedierör inbyggda i väggen, gör följande:

1. Baserat på placeringen av hålet i väggen i förhållande till monteringsplattan, välj den sida från vilken rören ska utgå från enheten.
2. Om hålet i väggen är bakom enheten, håll plastpanelen på plats. Om hålet i väggen är vid sidan av inomhusenheten, ta bort plastpanelen från den sidan av enheten. (Se figur nedan). Detta skapar en öppning genom vilken dina rörledningarna kan utgå från enheten. Använd en spetsig tång om plastpanelen är för svår att ta bort för hand.



3. Använd sax för att klippa längden på den isolerande hylsan för att frigöra ca 40 mm (1,57 tum) av köldmedierören. Detta tjänar två syften:

- För att **underlätta anslutning** av köldmedierör.
- För att underlätta **gasläckagekontroller** och göra det möjligt att kontrollera om bucklor uppstått

4. Använd hållaren på enhetens baksida för att stötta upp enheten, vilket ger dig tillräckligt med utrymme för att ansluta köldmedierör, signalkabel och avrinnings slang.

5. Anslut inomhusenhetens köldmedierör till anslutningsrören som ska anslutas till inomhus- och utomhusenheterna. Se avsnittet **Anslutning av köldmedierör** i denna handledning för detaljerade anvisningar.

6. Baserat på placeringen av hålet i väggen i förhållande till monteringsplattan, avgör den nödvändiga vinkeln på ditt rör.

7. Greppa köldmedierören vid basen av böjningen.

8. Långsamt, med jämnt tryck, böj röret mot hålet. Buckla **eller** skada inte rören under processen.

Steg 5: Anslut utloppsslangen

Som standard är avrinningsslangen fastsatt på enhetens vänstra sida (när du är vänd mot enhetens baksida). Men den kan även fästas på höger sida. För att säkerställa korrekt avrinning, fäst avrinningsslangen på samma sida som köldmedierören utgår från på enheten.

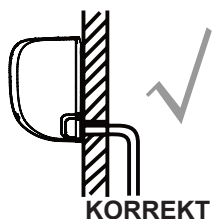
OBSERVERA: På vissa platser i USA, om apparaten har installerat ledningspanelen, välj avrinning på höger sida.

- Linda in anslutningspunkten ordentligt med teflon-tejp för att säkerställa en bra tätning och för att förhindra läckage.
- Ta bort luftfiltret och håll en liten mängd vatten i avrinningskärlet för att se till att vatten strömmar ut från enheten smidigt.

! NOTERING OM PLACERING AV AVRINNINGSSLANG

Se till att arrangera avrinningsslangen enligt följande figurer.

- ⊘ Böj **INTE** avrinningsslangen.
- ⊘ Skapa **INTE** ett vattenlås.
- ⊘ Placera **INTE** änden av avrinningsslangen i vatten eller en behållare som samlar vatten.



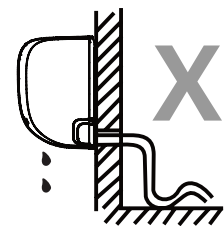
KORREKT

Se till att det inte finns några veck eller bucklor på avrinningsslangen för att säkerställa korrekt dränering.



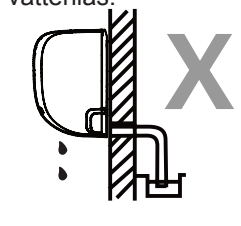
EJ KORREKT

Veck på avrinningsslangen kommer att skapa vattenlås.



EJ KORREKT

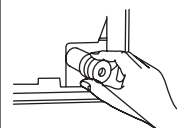
Veck på avrinningsslangen kommer att skapa vattenlås.



EJ KORREKT

Placera inte änden av avrinningsslangen i vatten eller en behållare som samlar vatten. Detta förhindrar ordentlig avrinning.

PLUGGA IGEN DET OANVÄNDA AVRINNINGSHÅLET



För att förhindra oönskade läckor måste du täppa igen det oanvända avrinningshålet med den medföljande gummipluggen.

! INNAN NÅGRA ELEKTRISKA ARBETEN UTFÖRS, LÄS DESSA REGLER

1. Alla ledningar måste följa lokala och nationella elektriska koder, föreskrifter och måste installeras av en licensierad elektriker.
2. Alla elektriska anslutningar måste göras enligt det elektriska kopplingsdiagrammet som finns på panelerna på inomhus- och utomhusenheterna.
3. Om det finns ett allvarligt säkerhetsproblem med strömförsörjningen, sluta arbeta omedelbart. Förklara ditt resonemang för kunden och vägra att installera enheten tills säkerhetsproblemet är ordentligt löst.
4. Spänning bör ligga inom 90-110% av märkspänningen. Otillräcklig strömförsörjning kan orsaka funktionsfel, elektriska stötar eller brand.
5. Vid anslutning av ström till fasta ledningar bör ett överspänningskydd och huvudströmbrytare installeras.
6. Vid anslutning av ström till fasta ledningar måste en brytare eller brytare som kopplar bort alla poler och har en kontaktseparation på minst 1/8in (3mm) införlivas i den fasta ledningen. Kvalificerad tekniker måste använda en godkänd brytare eller strömbrytare.
7. Anslut endast enheten till ett enskilt grenuttag. Anslut inte en annan apparat till det uttaget.
8. Se till att jorda luftkonditioneringen ordentligt.
9. Varje sladd måste vara ordentligt ansluten. Lösa sladdar kan leda till att terminalen överhettas, vilket resulterar i produktfel och eventuell brand.
10. Låt inte sladdarna vidröra eller vila mot röret för kylningsmedlet, kompressorn eller några rörliga delar i enheten.
11. Om enheten har en extra elektrisk värmare måste den installeras minst 1 meter (40tum) bort från brännbara material.
12. För att undvika att få en elektrisk stöt, rör aldrig vid de elektriska komponenterna strax efter att strömförsörjningen har stängts av. När du har stängt av strömmen, vänta alltid 10 minuter eller mer innan du rör vid de elektriska komponenterna.



! VARNING

INNAN NÅGOT ELEKTRISKT ARBETE ELLER LEDNINGSARBETE UTFÖRS, STÄNG AV STRÖMMEN TILL SYSTEMET.

Steg 6: Anslut signal- och strömkablar

Signalkabeln möjliggör kommunikation mellan inomhus- och utomhusenheterna. a. Du måste först välja rätt kabelstorlek innan du förbereder den för anslutning.

Kabeltyper

- **Strömkabel för inomhusbruk** (om tillämpligt): HH05VV-F eller H05V2V2-F
 - **Strömkabel för utomhusbruk:** H07RN-F eller H05RN-F
 - **Signalkabel:** H07RN-F
- OBSERVERA:** I Nordamerika väljer du kabeltypen enligt lokala elektriska koder och föreskrifter.

Minsta tvärsnittsarea för kraft - och signalkablar (för referens) (Gäller inte Nordamerika)

Nominell ström av apparat (A)	Nominell tvärsnittsarea (mm ²)
> 3 och ≤ 6	0,75
> 6 och ≤ 10	1
> 10 och ≤ 16	1,5
> 16 och ≤ 25	2,5
> 25 och ≤ 32	4
> 32 och ≤ 40	6

VÄLJ RÄTT KABELSTORLEK

Storleken på strömkabeln, signalkabeln, säkringen och omkopplaren som behövs bestäms av enhetens maximala ström. Den maximala strömmen anges på typskylten på enhetens sidopanel. Se denna typskylt för att välja rätt kabel, säkring eller strömbrytare.

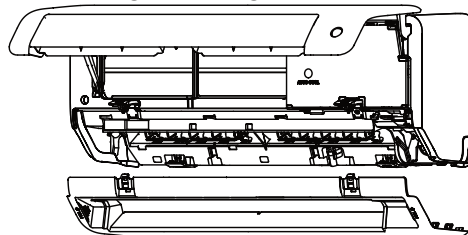
OBSERVERA: I Nordamerika, Välj rätt kabelstorlek enligt Minsta Kretsampaciteten som anges på enhetens namnskylt.

1. Öppna och fixera panelens position, öppna sedan locken på de bägge låsblocken, lossa skruven, håll sedan båda sidorna av den nedre panelen på platsen markerad "PULL", dra den uppåt för att lossa spännena, ta sedan ner den nedre panelen (se sidan 22-23).
2. Öppna kabelboxens lock för att ansluta kabeln.
3. Skruva loss kabelklämman under kopplingsplinten och lägg den åt sidan.
4. Vänd mot enhetens baksida, ta bort plastpanelen på den nedre vänstra sidan.

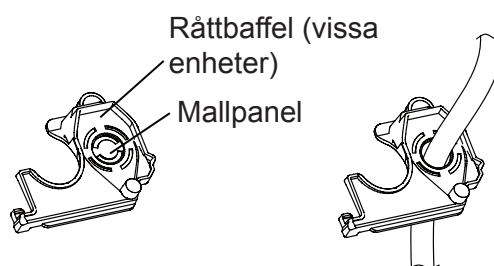
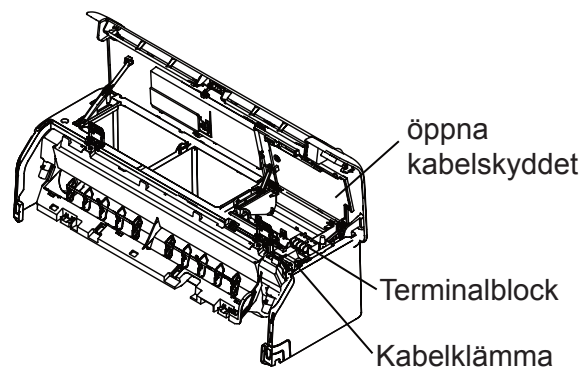
! VARNING

ALL KABELDRAGNING MÅSTE UTFÖRAS STRIKT I ENLIGHET MED KOPPLINGSSCHEMAT PÅ BAKSIDAN AV INOMHUSENHETENS FRONTPANEL.

5. Dra signalkabeln genom denna öppning, från enhetens baksida till framsidan.
6. Vänd mot enhetens framsida, anslut ledningen enligt inomhusenhetens kopplingsschema, anslut u-kabelskon och skruva fast varje ledning ordentligt i dess motsvarande terminal.



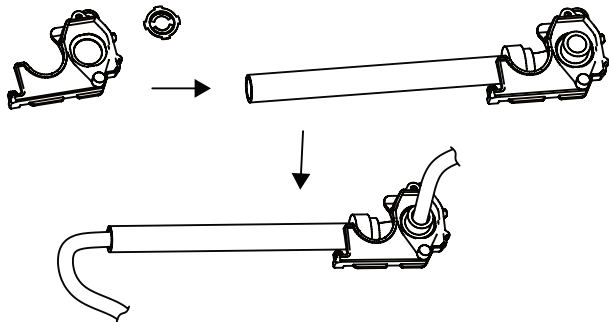
Öppna först frontpanelen och ta sedan bort den nedre panelen.



OBSERVERA: Om storleken på kabeln är för stor, ta bort den mittersta lilla plastpanelen för att skapa en slits genom vilken kabeln kan gå ut. Om du vill ta bort chassit eller avloppsslangen, ta först bort rättbaffeln.

I Nordamerika

Ta först bort mallpanelen för att skapa en plats genom vilken ledningsröret kan installeras. Dra sedan kabeln genom ledningsröret och anslut till inomhusenheten.



! VARNING

BLANDA INTE IHOP STRÖMFÖRANDE KABLAR OCH NOLLKABLAR

Detta är farligt och kan orsaka fel hos att luftkonditioneringsenheten.

- Efter kontroll av att alla anslutningar är säkra, använd kabelklämman för att fästa signalkabeln på enheten. Skruva fast kabelklämman ordentligt.
- Byt ut kabelkyddet på enhetens framsida och plastpanelen på baksidan.

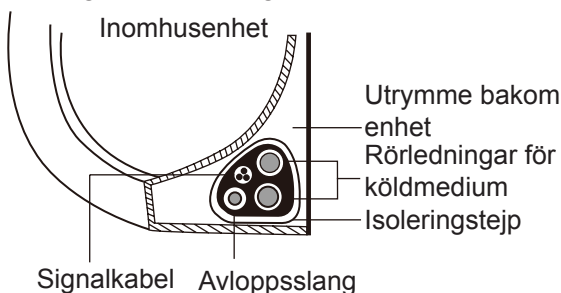
! NOTERING OM

KABELDRAGNINGAR KABELANSLUTNINGAR KAN SKILJA SIG NÅGOT MELLAN ENHETER OCH REGIONER.

Steg 7: Lindning och kablar

Innan rörledning, avrinnings slang och signalkabel dras genom hålet i väggen, måste dessa buntas ihop för att spara utrymme, skydda dem och isolera dem (Detta kanske inte gäller för vissa platser i USA).

- Bunta ihop avrinnings slang, köldmedierör och signalkabel enligt nedan:



AVRINNINGSSLANG MÅSTE VARA NEDERST

Se till att avrinnings slangen är längst ned i buntan. Att placera avrinnings slangen högst upp på buntan kan leda till att avrinningskärlet svämmar över, vilket kan leda till brand- eller vattenskador.

SAMMANFLÄTA INTE SIGNALKABEL MED ANDRA KABLAR

Medan du buntar samman dessa sakerna ska du inte blanda eller korsa signalkabeln med andra kablar.

- Använd självhäftande vinyltejp, fäst avrinnings slangen på undersidan av köldmedierören.
- Använd isoleringstejp, linda in signalkabel, köldmedierör och avrinnings slangen tätt ihop. Dubbelkolla att alla är ordentligt buntade.

LINDA INTE IN RÖRLEDNINGARNAS ÄNDAR

När du lindar in buntan, håll ändarna på röret olindade. Du måste komma åt dem för att testa för läckage i slutet av installationen (se avsnittet **Elektriska kontroller och läckagekontroller** i denna bruksanvisning)

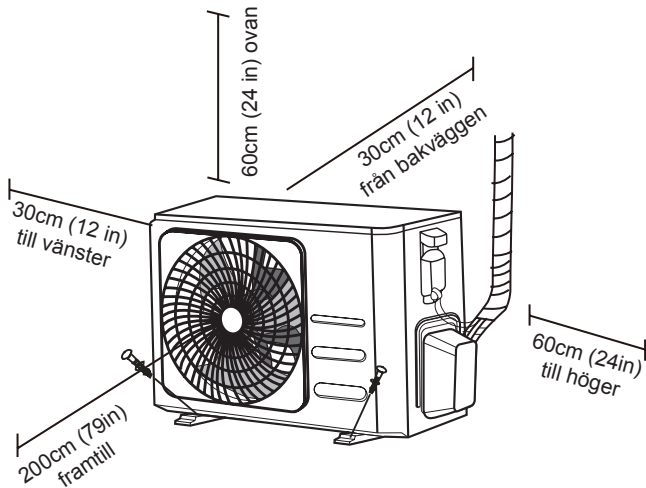
Steg 8: Montera inomhusenhet

Vid installation av nya anslutningsrör till utomhusenhet, gör följande:

- Om du redan har dragit köldmedieröret genom hålet i väggen, fortsätt till steg 4.
- I annat fall dubbelkolla att köldmedierörens ändrar är förseglade för att förhindra att smuts eller främmande material kommer in i rören.
- Dra långsamt den lindade buntan av kylmedelsrör, avrinnings slang och signalkabel genom hålet i väggen.
- Haka fast överdelen av inomhusenheten på den övre haken på monteringsplattan.
- Kontrollera att enheten är ordentligt fastsatt vid monteringen genom att trycka lätt på enhetens vänstra och högra sida. Enheten får inte vicka eller röra sig i sidled.
- Använd jämnt tryck och tryck ner på enhetens nedre halva. Fortsätt att trycka nedåt tills enheten fäster i hakarna längs med monteringsplattans botten.
- Kontrollera återigen att enheten är ordentligt monterad genom att trycka lätt på enhetens vänstra och högra sidor.

Utrustning utomhus

Installera enheten genom att följa lokala koder och föreskrifter, det kan vara något annorlunda mellan olika regioner.



Installationsanvisningar - utomhusenhet

Steg 1: Välj installationsplats

Innan du installerar utomhusenheten måste du välja en lämplig plats. Följande är standarder som hjälper dig att välja en lämplig plats för enheten.

Lämpliga installationsplatser möter följande standarder:

- Uppfyller alla rumsliga krav som visas i Krav på installationsytan ovan.
- God luftcirkulation och ventilation
- Fast och stabil - platsen kan stödja enheten och kommer inte att vibrera
- Buller från enheten kommer inte att störa andra
- Skyddas från långa perioder av direkt solljus eller regn
- Om snöfall väntas, vidta lämpliga åtgärder för att förhindra isbildning och skador på spole.

Installera **INTE** enheten på följande platser:

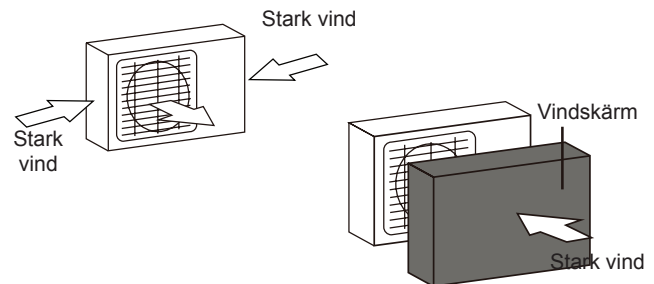
- ⊘ Nära ett hinder som blockerar luftintag och uttag
- ⊘ Nära en allmän gata, trånga utrymmen, eller där buller från enheten kommer att störa andra
- ⊘ Nära djur eller växter som kommer att skadas av varmluft
- ⊘ Nära någon källa till brännbar gas
- ⊘ På en plats som utsätts för stora mängder damm
- ⊘ På en plats som utsätts för en överdriven mängd salt luft

SÄRSKILD HÄNSYN VID EXTREMT VÄDER

Om enheten utsätts för kraftig vind:

Installera enheten så att luftutloppsfläkten är i 90° vinkel mot vindriktningen. Om det behövs, bygg en barriär framför enheten för att skydda den mot extremt starka vindar.

Se figurerna nedan.



Om enheten ofta utsätts för kraftigt regn eller snö:

Bygg ett skydd ovanför enheten för att skydda den från regn eller snö. Var försiktig så att du inte blockerar luftflödet runt enheten.

Om enheten ofta utsätts för salt luft (nära havet):

Använd utomhusenheten som är speciellt utformad för att motstå korrosion.

Steg 2: Installera utloppsfog (endast värmepumpsenhet)

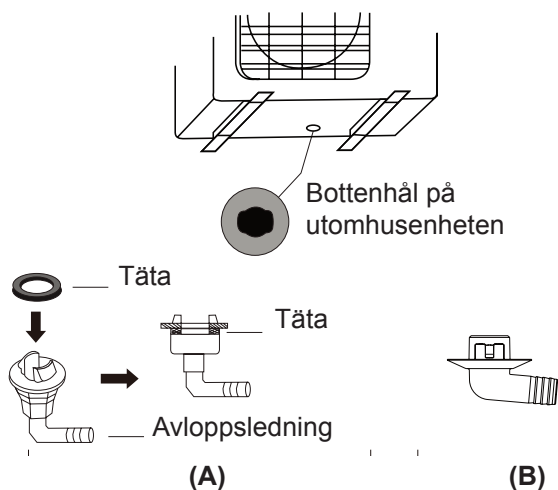
Innan du bultar utomhusenheten på plats måste du installera utloppsröret längst ner på enheten. Observera att det finns två olika typer av dräneringsfogar beroende på typ av utomhusenhet.

Om dräneringsledet kommer med en gummitätning (se Fig. A), Gör följande:

1. Montera gummitätningen på änden av avloppsledningen som kommer att ansluta till utomhusenheten.
2. Sätt i avloppsröret i hålet i basplattan på enheten.
3. Vrid avloppsledningen 90° tills den klickar på plats mot enhetens framsida.
4. Anslut en avloppslangsförlängning (ingår ej) till avloppsledningen för att omdirigera vatten från enheten under uppvärmningsläge.

Om dräneringsledet inte kommer med en gummitätning (se Fig. B), gör följande:

1. Sätt i avloppsröret i hålet i basplattan på enheten. Avloppsledningen klickar på plats.
2. Anslut en avloppslangsförlängning (ingår ej) till avloppsledningen för att omdirigera vatten från enheten under uppvärmningsläge.



! I KALLT KLIMAT

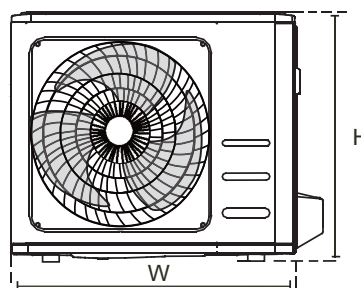
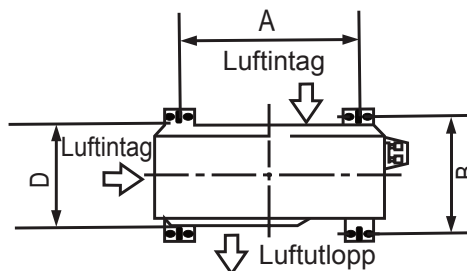
I kalla klimat, se till att utloppsslangen är så vertikal som möjligt för att säkerställa snabb vattenavrinning. Om vattnet rinner för långsamt kan det frysa i slangen och översvämma enheten.

Steg 3: Förankra utomhusenhet

Utomhusenheten kan förankras till marken eller till en väggmonterad konsol med bult(M10). Förbered installationsbasen på enheten enligt måtten nedan.

ENHETENS MONTERINGSDIMENSIONER

Följande är en lista över olika utomhusenhetsstorlekar och avståndet mellan deras monteringsfötter. Förbered installationsbasen på enheten enligt måtten nedan.



Utomhusenhetens mått (mm) W × H × D	Monteringsmått	
	Avstånd A (mm)	Avstånd B (mm)
681x434x285 (26,8 tum x 17,1 tum x 11,2 tum)	460 (18,1")	292 (11,5")
700x550x270 (27,5 tum x 21,6 tum x 10,6 tum)	450 (17,7")	260 (10,2")
700x550x275 (27,5 tum x 21,6 tum x 10,8 tum)	450 (17,7")	260 (10,2")
720x495x270 (28,3 tum x 19,5 tum x 10,6 tum)	452 (17,8")	255 (10,0")
728x555x300 (28,7 tum x 21,8 tum x 11,8 tum)	452 (17,8")	302 (11,9")
765x555x303 (30,1 tum x 21,8 tum x 11,9 tum)	452 (17,8")	286 (11,3")
770x555x300 (30,3 tum x 21,8 tum x 11,8 tum)	487 (19,2")	298 (11,7")
805x554x330 (31,7 tum x 21,8 tum x 12,9 tum)	511 (20,1")	317 (12,5")
800x554x333 (31,5 tum x 21,8 tum x 13,1 tum)	514 (20,2")	340 (13,4")
845x702x363 (33,3 tum x 27,6 tum x 14,3 tum)	540 (21,3")	350 (13,8")
890x673x342 (35,0 tum x 26,5 tum x 13,5 tum)	663 (26,1")	354 (13,9")
946x810x420 (37,2 tum x 31,9 tum x 16,5 tum)	673 (26,5")	403 (15,9")
946x810x410 (37,2 tum x 31,9 tum x 16,1 tum)	673 (26,5")	403 (15,9")

Om du installerar enheten på marken eller på en monteringsplattform av betong, gör följande:

1. Markera positionerna för fyra expansionsbultar baserat på mått diagram.
2. Borra hål för expansionsbultar.
3. Placera en mutter i änden av varje expansionsbult.
4. Slå in expansionsbultar i de borrade hålen.
5. Ta bort muttrarna från expansionsbultarna och placera utomhusenheten på bultarna.
6. Sätt en bricka på varje expansionsbult och byt sedan ut muttrarna.
7. Dra åt varje mutter med en skiftnyckel tills de sitter åt.



VARNING

VID BORRNING I BETONG REKOMMENDERAS ALLTID ÖGONSKYDD.

Vid installation av enheten på ett väggmonterat fäste, gör följande:



VARNING

Se till att väggen är gjord av massivt tegel, betong eller liknande starkt material. **Väggen måste klara av minst fyra gånger enhetens vikt.**

1. Markera positionen för konsolhål baserat på mått diagram.
2. Borra hål för expansionsbultar.
3. Placera en bricka och mutter på änden av varje expansionsbult.
4. Trä expansionsbultar genom hål i monteringsfästen, sätt monteringsfästen på plats och hamra expansionsbultar i väggen.
5. Kontrollera att monteringsfästen är plana.
6. Lyft försiktigt enheten och placera dess monteringsfötter på konsolerna.
7. Skruva fast enheten ordentligt i fästena.
8. Om det är tillåtet, installera enheten med gummipackningar för att minska vibrationer och buller.

Kylmedelsrörsanslutning

Låt inte andra ämnen **eller** gaser än det angivna kylningsmedlet komma in i enheten vid anslutning av kylningsmedel. Närvaron av andra gaser eller ämnen kommer att sänka enhetens kapacitet och kan orsaka onormalt högt tryck i kylcykeln. Detta kan orsaka explosion och skada.

Anmärkning om rörlängd

Längden på köldmedierören kommer att påverka enhetens prestanda och energieffektivitet. Nominell effektivitet testas på enheter med en rörlängd på 5 meter (16,5 fot) (i Nordamerika är standardrörlängden 7,5 m (25')). En rördragning på minst 3 meter krävs för att minimera vibrationer och överdrivet buller. I speciella tropiska områden, för R290-köldmediemodellerna, kan inget köldmedium tillsättas och den maximala längden på köldmedieröret bör inte överstiga 10 meter (32,8 fot). Se tabellen nedan för specifikationer om rörledningens maximala längd och fallhöjd.

Maximal längd och fallhöjd för köldmedierör per enhetsmodell

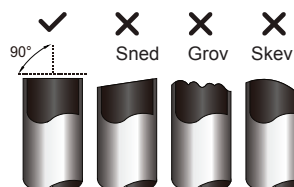
MODELL	Kapacitet (Btu/h)	Max. Längd (m)	Max. Fallhöjd (m)
R410A, R32 Växelriktad delad luftkonditionering	≤ 15,000	25 (82 fot)	10 (33ft)
	≥ 15,000 och < 24,000	30 (98,5ft)	20 (66ft)
	≥ 24,000 och < 36,000	50 (164ft)	25 (82 fot)
R22 Delad luftkonditionering med fast hastighet	≤ 18,000	10 (33ft)	5 (16ft)
	≥ 18,000 och < 21,000	15 (49ft)	8(26ft)
	≥ 21,000 och < 35,000	20 (66ft)	10(33ft)
R410A, R32 Delad luftkonditionering med fast hastighet	≤ 18,000	20 (66ft)	8(26ft)
	≥ 18,000 och < 36,000	25 (82 fot)	10(33ft)

Anslutningsinstruktioner – Rör för kylningsmedel

Steg 1: Kapa rören

Vid förberedelse av kylmedelsrör, var noga med att skära och vidga dem på rätt sätt. Detta säkerställer effektiv drift och minimerar behovet av framtida underhåll.

1. Mät avståndet mellan inomhus- och utomhusenheterna.
2. Med hjälp av en rörskärare skär du röret lite längre än det uppmätta avståndet.
3. Se till att röret skärs i perfekt 90° vinkel.



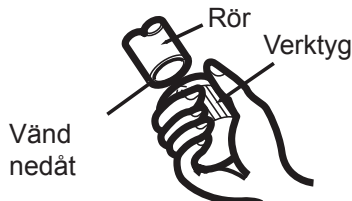
DEFORMERA INTE RÖREN VID KAPNING

Var extra försiktig så att du inte skadar, bucklar eller deformerar röret medan du skär. Detta minskar kraftigt värmeeffektiviteten hos enheten.

Steg 2: Ta bort extra

Flis kan påverka den lufttåta tätningen av kylmedelsröranslutning. Det måste vara helt borttaget.

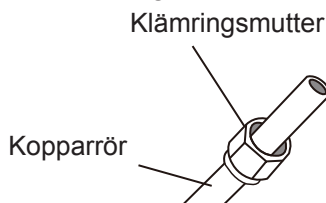
1. Håll röret i en nedåtgående vinkel för att förhindra att flis faller in i röret.
2. Använd ett verktyg för rening eller avbränning, ta bort allt flis från den snittade delen av röret.



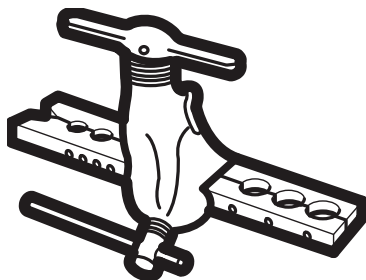
Steg 3: Flera rörändar

Korrekt fläns är avgörande för att uppnå en lufttät försegling.

1. Efter avlägsnande av flis från snittrör så försegla ändarna med PVC-tejp för att förhindra att främmande material kommer in i röret.
2. Klär röret med isolerande material.
3. Placera flänsmuttrar på båda ändarna av röret. Se till att de är vända i rätt riktning, eftersom du inte kan sätta på dem eller ändra riktning efter flänsning.

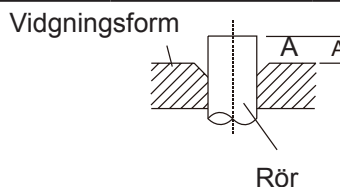


4. Ta bort PVC-tejp från ändarna av röret när du är redo att utföra vidgningsarbete.
5. Kläm fast vidgningsform på rörets ände. Änden av röret måste sträcka sig bortom kanten av flänsformen i enlighet med mått som visas i tabellen nedan.



RÖRFÖRLÄNGNING UTAN VIDGNINGSFORM

Rörets ytterdiameter (mm)	A (mm)	
	Min.	Max.
Ø 6,35 (Ø 0,25 tum)	0,7 (0,0275")	1,3 (0,05")
Ø 9,52 (Ø 0,375 tum)	1,0 (0,04")	1,6 (0,063")
Ø 12,7 (Ø 0,5 tum)	1,0 (0,04")	1,8 (0,07")
Ø 16 (Ø 0,63 tum)	2,0 (0,078")	2,2 (0,086")
Ø 19 (Ø 0,75 tum)	2,0 (0,078")	2,4 (0,094")



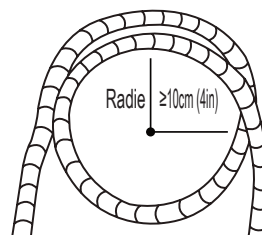
6. Placera vidgningsverktyget på formen.
7. Vrid handtaget på vidgningsverktyget medurs tills röret är helt vidgat.
8. Ta bort vidgningsverktyget och vidgningsformen, inspektera sedan rörets ände efter sprickor och jämn vidgning.

Steg 4: Anslut rören

Vid anslutning av köldmedierör, var försiktig så att du inte använder överdriven åtdragning eller deformerar rörledningarna på något sätt. Du bör först ansluta lågtrycksröret, sedan högtrycksröret.

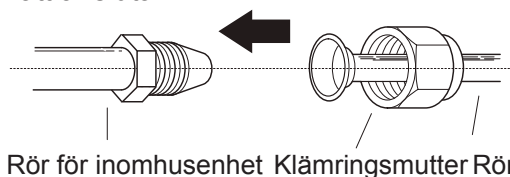
MINSTA BÖJNINGSRADIE

Vid böjning av anslutande köldmedierör är den minsta böjningsradien 10 cm.

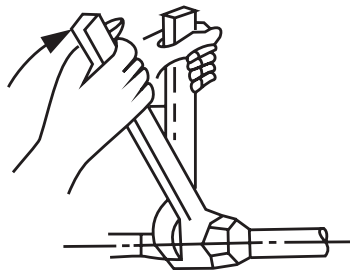


Anvisningar för anslutning av rörledning till inomhusenhet

1. Rikta in mitten av de två rören som du kommer att ansluta.



2. Dra åt klämringsmuttern så tätt som möjligt för hand.
3. Med en skruvmejsel, greppa muttern på enhetens slang.
4. Håll ett stadigt tag i muttern på enhetens slangar, använd en momentnyckel för att dra åt flänsmuttern enligt vridmomentvärden i tabellen **Vridmomentkrav** nedan. Lossa flänsmuttern något och dra sedan åt den igen.



ÅTDRAGNINGSKRAV

Rörets ytterdiameter (mm)	Åtdragningsmoment (N·m)	Flänsdimension (B) (mm)	Vidgningsform
Ø 6,35 (Ø 0,25 tum)	18~20 (180~200kgf.cm)	8,4~8,7 (0,33~0,34")	
Ø 9,52 (Ø 0,375 tum)	32~39 (320~390kgf.cm)	13,2~13,5 (0,52~0,53")	
Ø 12,7 (Ø 0,5 tum)	49~59 (490~590kgf.cm)	16,2~16,5 (0,64~0,65")	
Ø 16 (Ø 0,63 tum)	57~71 (570~710kgf.cm)	19,2~19,7 (0,76~0,78")	
Ø 19 (Ø 0,75 tum)	67~101 (670~1010kgf.cm)	23,2~23,7 (0,91~0,93")	

⚠ ANVÄND INTE ÖVERDRIVEN ÅTDRAGNING

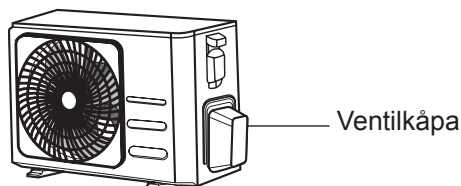
Överdriven åtdragning kan bryta muttern eller skada köldmedierören. Du får inte överskrida vridmomentkraven i tabellen ovan.

Anvisningar för anslutning av rörledningar till utomhusenhet

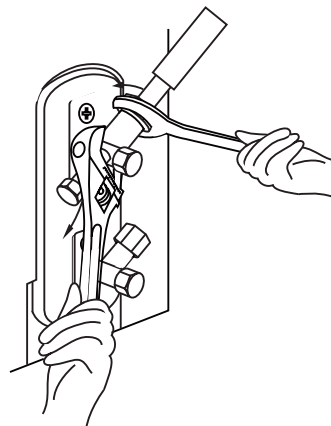
1. Skruva loss locket från den förpackade ventilen på sidan av utomhusenheten.
2. Ta bort skyddskåporna från ventilernas ändrar.
3. Rikta in rörets ände med fläns mot varje ventil och dra åt flänsmuttern så hårt som möjligt för hand.
4. Ta tag i ventilkroppen med en skiftnyckel. Greppa inte muttern som förseglar serviceventilen.
5. Medan du håller ett stadigt tag i ventilkroppen, använd en momentnyckel för att dra åt flänsmuttern enligt korrekta vridmomentvärden.
6. Lossa flänsmuttern något och dra sedan åt den igen.
7. Upprepa steg 3 till 6 för det återstående röret.

⚠ ANVÄND SKIFTNYCKEL FÖR ATT GREPPA VENTILKROPPEN

Åtdragning av flänsmuttern kan spräcka andra delar av ventilen.



5. Medan du håller ett stadigt tag i ventilkroppen, använd en momentnyckel för att dra åt flänsmuttern enligt korrekta vridmomentvärden.



Luftevakivering

Förberedelser och försiktighetsåtgärder

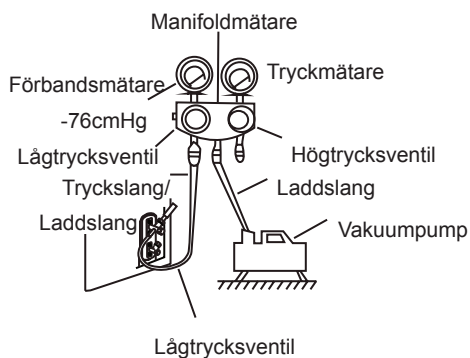
Luft och främmande ämnen i kylningsmedlets krets kan orsaka onormala tryckhöjningar, vilket kan skada luftkonditioneringen, minska dess effektivitet och orsaka skada. Använd en vakuumpump och mångsidig mätare för att evakuera kylningsmedlets krets, ta bort eventuell icke-kondenserbar gas och fukt från systemet. Evakuering ska utföras vid första installationen och när enheten flyttas.

INNAN EVAKUERING UTFÖRS

- Kontrollera att anslutningsledningarna mellan inomhus- och utomhusenheterna är ordentligt anslutna.
- Kontrollera att alla ledningar är korrekt anslutna.

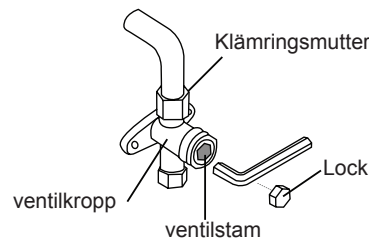
Evakueringsinstruktioner

1. Anslut manifoldmätarens laddnings slang till serviceport på utomhusenhetens lågtrycksventil.
2. Anslut ytterligare en laddnings slang från manifoldmätaren till vakuumpumpen.
3. Öppna lågtryckssidan på grenröret. Håll högtryckssidan stängd.
4. Slå på vakuumpumpen för att evakuera systemet.
5. Kör vakuum i minst 15 minuter, eller tills Compound Meter visar -76cmHg (-10^5 Pa).



6. Stäng lågtryckssidan av manifoldmätaren och stäng av vakuumpumpen.
7. Vänta i 5 minuter och kontrollera att det inte har skett förändring i systemtryck.

8. Om systemtrycket förändras, se avsnittet för kontroll av gasläcka för information om hur man kontrollerar läckage. Om det inte finns någon ändring i systemtrycket, skruva av locket från den packade ventilen (högtrycksventil).
9. Sätt in sexkantig skiftnyckel i den packade ventilen (högtrycksventil) och öppna ventilen genom att dra skiftnyckeln en 1/4 vridning moturs. Lyssna efter gas som lämnar systemet, stäng sedan ventilen efter 5 sekunder.
10. Titta på tryckmätaren i en minut för att se till att det inte finns någon tryckförändring. Tryckmätaren bör visa något högre tryck än atmosfärstrycket.
11. Ta bort laddslangen från serviceporten.



12. Med hjälp av sexkantiga skiftnycklar, öppna både högtrycks- och lågtrycksventilerna helt.
13. Dra åt ventilkåporna på alla tre ventilerna (service-port, högt tryck, lågt tryck) för hand. Du kan dra åt den ytterligare med en momentnyckel om det behövs.

ÖPPNA VENTILSTAMMAR FÖRSIKTIGT

Vid öppning av ventilstammar vrider du den sexkantiga nyckeln tills den träffar stopparen. Försök inte tvinga ventilen att öppnas ytterligare.

Information om att lägga till kylningsmedlet

Vissa system kräver ytterligare laddning beroende på rörlängder. Standardrörlängden varierar enligt lokala föreskrifter. Till exempel i Nordamerika är standardrörets längd 7,5 m (25'). I andra områden är standardrörets längd 5m (16'). Kylningsmedlet ska laddas från serviceporten på utomhusenhetens lågtrycksventil. Det ytterligare kylmediet som ska laddas kan beräknas med följande formel:

YTTERLIGARE KÖLDMEDIUM PER RÖRLÄNGD

Längd på anslutningsrör (m)	Metod för luftrening	Ytterligare köldmedium	
≤ Standardlängd för rör	Vakuumpump	N/A	
> Standardlängd för rör	Vakuumpump	Vätskesida: Ø 6,35 (ø 0,25") R32: (Rörlängd – standardlängd) x 12g/m (Rörlängd – standardlängd) x 0,13oz/ft R290: (Rörlängd – standardlängd) x 10g/m (Rörlängd – standardlängd) x 0,10oz/ft R410A: (Rörlängd – standardlängd) x 15g/m (Rörlängd – standardlängd) x 0,16oz/ft R22: (Rörlängd – standardlängd) x 20g/m (Rörlängd – standardlängd) x 0,21oz/ft	Vätskesida: Ø 9,52 (ø 0,375") R32: (Rörlängd – standardlängd) x 24g/m (Rörlängd – standardlängd) x 0,26oz/ft R290: (Rörlängd – standardlängd) x 18g/m (Rörlängd – standardlängd) x 0,19oz/ft R410A: (Rörlängd – standardlängd) x 30g/m (Rörlängd – standardlängd) x 0,32oz/ft R22: (Rörlängd – standardlängd) x 40g/m (Rörlängd – standardlängd) x 0,42oz/ft

För R290 köldmedelsenhet är den totala mängden köldmedium som ska fyllas på högst:
 387g(≤9000Btu/h), 447g(>9000Btu/h and ≤12000Btu/h), 547g(>12000Btu/h and ≤18000Btu/h),
 632g(>18000Btu/h and ≤24000Btu/h).



VARNING Blanda **INTE** olika typer av kylningsmedel.

Kontroller av el- och gasläckage

Innan provkörning

Utför endast testkörning efter att du har slutfört följande steg:

- **Elektriska säkerhetskontroller** – Kontrollera att enhetens elektriska system är säkert och fungerar korrekt
- **Gasläckagekontroller** – Kontrollera alla flänsmutteranslutningar och bekräfta att systemet inte läcker
- Kontrollera att gas- och vätskeventiler (högt och lågt tryck) är helt öppna

Elektriska säkerhetskontroller

Efter installationen, bekräfta att alla elektriska ledningar är installerade i enlighet med lokala och nationella föreskrifter, och enligt installationsanvisningar.

FÖRE PROVKÖRNING

Kontrollera jordning

Mät jordningsmotståndet genom visuell detektering och med jordningsmotståndstestare. Jordningsmotståndet måste vara mindre än $0,1\Omega$.

OBSERVERA: Detta kanske inte krävs för vissa platser i Nordamerika.

UNDER PROVKÖRNING

Kontrollera om det finns elektriskt läckage

Under **provkörningen**, använd en elektrosond och multimeter för att utföra ett omfattande elektriskt läckagetest.

Om elektriskt läckage upptäcks, stäng omedelbart av enheten och ring en behörig elektriker för att hitta och lösa orsaken till läckaget.

OBSERVERA: Detta kanske inte krävs för vissa platser i Nordamerika.

⚠ VARNING – RISK FÖR ELEKTRISK STÖT

ALL KABELDRAGNING MÅSTE FÖLJA LOKALA OCH NATIONELLA ELEKTRISKA FÖRESKRIFTER, OCH MÅSTE INSTALLERAS AV EN BEHÖRIG ELEKTRIKER.

Kontroller av gasläckage

Det finns två olika metoder för att kontrollera om det finns gasläckor.

Tvål och vattenmetod

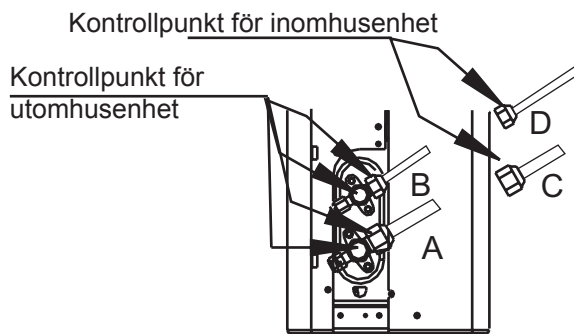
Använd en mjuk borste och applicera tvålatten eller flytande tvättmedel på alla röranslutningspunkter på inomhusenheten och utomhusenheten. Förekomsten av bubblor indikerar ett läckage.

Metod för läckagedetektering

Om du använder läckagedetektor, se enhetens bruksanvisning för korrekt användning.

EFTER KONTROLLER AV GASLÄCKAGE

Efter att ha bekräftat att alla röranslutningspunkter **INTE** läcker, byt ut ventilkåpan på utomhusenheten.



A: Stoppventil för lågt tryck
B Stoppventil för högt tryck
C och D: Inomhusenhetens flänsmuttrar

Provkörning

Testkörningsinstruktioner

Provkörningen bör utföras under minst 30 minuter.

1. Anslut ström till enheten.
2. Tryck på **ON/OFF**-knappen på fjärrkontrollen för att slå på den.
3. Tryck på **MODE**-knappen för att bläddra igenom följande funktioner, en i taget:
 - COOL – Välj lägsta möjliga temperatur
 - HEAT – Välj högsta möjliga temperatur
4. Låt varje funktion köras i 5 minuter och utför följande kontroller:

Lista över kontroller att utföra	GODKÄND/FEL	
Inget elektriskt läckage		
Enheten är ordentligt jordad		
Alla elektriska anslutningar är ordentligt täckta		
Inomhus- och utomhusenheter är ordentligt installerade		
Inga av röranslutningspunkterna läcker	Utomhus (2);	Inomhus (2);
Vattnet rinner av ordentligt från avloppsslangen		
Alla rörledningar är korrekt isolerade		
Enheten utför COOL-funktionen korrekt		
Enheten utför HEAT-funktionen korrekt		
Inomhusenhetens spjäll roterar ordentligt		
Inomhusenheten svarar på fjärrkontrollen		

DUBBELKOLLA RÖRANSLUTNINGAR

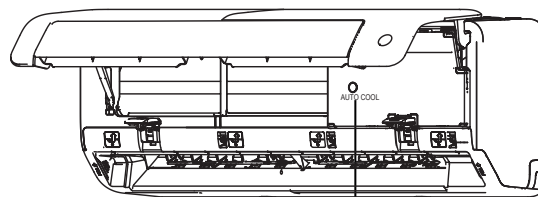
Under drift kommer trycket i köldmediekretsen att öka. Detta kan avslöja läckor som inte upptäcktes under din första läckagekontroll. Ta god tid på dig att under testkörningen dubbelkolla att alla anslutningar av köldmedierör inte har läckor. Se avsnittet kontroll av **gasläckage** för anvisningar.

5. När testkörningen har slutförts och du bekräftar att alla kontrollpunkter i Lista över kontroller som ska utföras är GODKÄNDA, gör du följande:
 - a. Använd fjärrkontrollen och återställ till normal driftstemperatur.
 - b. Använd isoleringstejp, linda in anslutningarna för köldmedierör inomhus som du lämnade utan att linda in under installationen av inomhusenheten.

OM OMGIVNINGSTEMPERATUREN ÄR LÄGRE ÄN 17°C (62°F)

Du kan inte använda fjärrkontrollen för att slå på COOL-funktionen när omgivningstemperaturen är lägre 16°C. I detta fall kan du använda knappen **MANUELL KONTROLL** för att testa COOL-funktionen.

1. Knappen **MANUELL KONTROLL** finns på enhetens högra sida.
2. Tryck på knappen 2 gånger för att välja COOL-funktionen.
3. Utför provkörning som vanligt.



Manuell kontrollknapp

Förpackning och uppackning av enheten

Anvisningar för förpackning och uppackning av enheten:

Uppackning:

Inomhus:

1. Skär förseglingstejpen på kartongen med en kniv, ett skär till vänster, ett snitt i mitten och ett snitt till höger.
2. Använd en klammerurtagare för att ta bort förseglingsklamrar på kartongens ovansida.
3. Öppna kartong.
4. Ta ut den mellersta stödplattan om den ingår.
5. Ta ut tillbehörspaketet och ta ut anslutningskabeln om den ingår.
6. Lyft ut apparaten ur kartongen och lägg den plant.
7. Ta bort vänster och höger förpackningsskum eller det övre och nedre förpackningsskummet, lossa förpackningspåsen.

Utomhusenhet

1. Klipp av packningsremmen.
2. Ta ut enheten ur kartongen.
3. Ta bort förpackningsskum från enheten.
4. Ta ut förpackningspåsen från enheten.

Förpackning:

Inomhus:

1. Lägg inomhusenheten i förpackningspåsen.
2. Fäst vänster och höger förpackningsskum eller det övre och nedre förpackningsskummet på enheten.
3. Lägg enheten i kartongen och lägg sedan i tillbehörsförpackningen.
4. Stäng kartongen och försegla den med tejp.
5. Använd packningsrem om det behövs.

Utomhusenhet:

1. Lägg utomhusenheten i förpackningspåsen.
2. Lägg bottenkummet i lådan.
3. Lägg enheten i kartongen och placera sedan det övre förpackningsskummet på enheten.
4. Stäng kartongen och försegla den med tejp.
5. Använd packningsrem om det behövs.

OBSERVERA: Behåll alla förpackningar om du kan behöva i framtiden.



Turn to the experts

Carrier is committed for continuous improvement of Carrier products according to national and international standards to ensure the highest quality and reliability standards, and to meet market regulations and requirements. All specifications subject to change without prior notice according to Carrier policy of continuous development

BEIJER REF AB

Stortorget 8

Malmö

Sweden